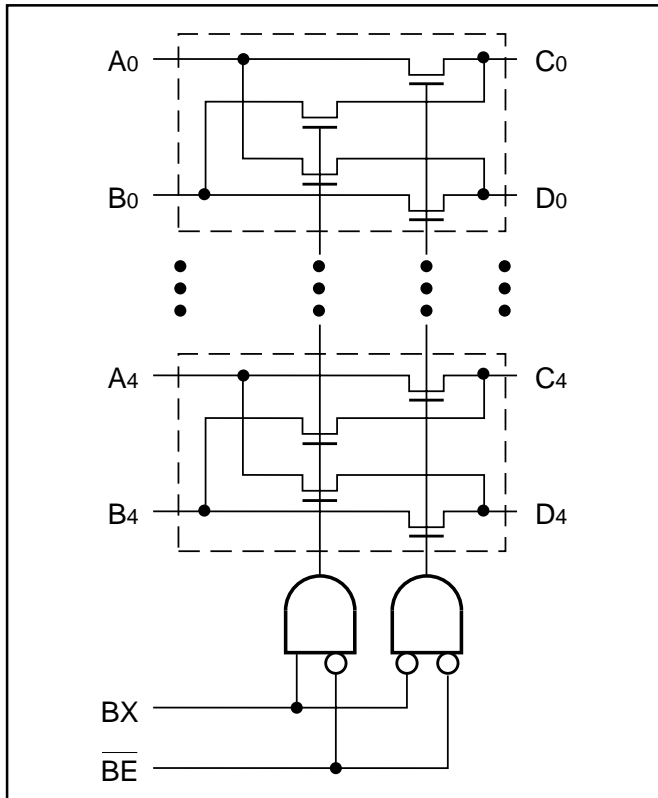


5-Bit, 4-Port Bus Exchange Switch

Product Features

- Near-zero propagation delay
- Low noise, 25Ω version (PI5C32383)
- 5Ω switches connect inputs to outputs (PI5C3383)
- Direct bus connection when switches are ON
- Ultra-low quiescent power (0.2μA typical)
 - Ideally suited for notebook applications
- Packages available:
 - 24-pin 173-mil wide plastic TSSOP (L)
 - 24-pin 150-mil wide plastic QSOP (Q)
 - 24-pin 300-mil wide plastic SOIC (S)

Logic Block Diagram



Truth Table⁽¹⁾

Function	\overline{BE}	BX	A0-A4	B0-B4
Disconnect	H	X	Hi-Z	Hi-Z
Connect	L	L	C0-C4	D0-D4
Exchange	L	H	D0-D4	C0-C4

Note:

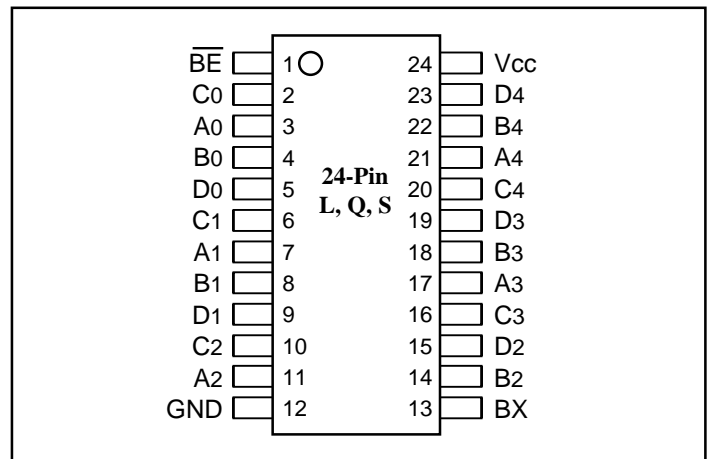
1. H = High Voltage Level
 X = Don't Care
 L = Low Voltage Level
 Hi-Z = High Impedance

Product Description

Pericom Semiconductor's PI5C series of logic circuits are produced using the Company's advanced submicron CMOS technology, achieving industry leading performance.

The PI5C3383 and PI5C32383 are 5-bit, 4-port bus switch with exchange designed with a low ON resistance allowing inputs to be connected directly to outputs. The bus switch creates no additional propagational delay or additional ground bounce noise. The switches are turned ON by the Bus Enable (BE) input signal, and the Bus Exchange (BX) input signal offers nibble swapping of the AB and CD pairs of signals. This exchange configuration allows byte swapping of buses in systems. It can also be used as a quad 2-to-1 multiplexer and to create low delay barrel shifters, etc. The PI5C32383 is designed with an internal 25Ω resistor reducing noise reflection in high-speed applications.

Product Pin Configuration



Product Pin Description

Pin Name	Description
\overline{BE}	Bus Enable Input (Active LOW)
BX	Bus Exchange Input
Ax	Bus A
Bx	Bus B
Cx	Bus C
Dx	Bus D
GND	Ground
V _{CC}	Power

Maximum Ratings

(Above which the useful life may be impaired. For user guidelines, not tested.)

Storage Temperature	-65°C to +150°C
Ambient Temperature with Power Applied	-40°C to +85°C
Supply Voltage to Ground Potential (Inputs & V _{CC} Only) .	-0.5V to +7.0V
Supply Voltage to Ground Potential (Outputs & D/O Only)	-0.5V to +7.0V
DC Input Voltage	-0.5V to +7.0V
DC Output Current	120 mA
Power Dissipation	0.5W

Note:

Stresses greater than those listed under MAXIMUM RATINGS may cause permanent damage to the device. This is a stress rating only and functional operation of the device at these or any other conditions above those indicated in the operational sections of this specification is not implied. Exposure to absolute maximum rating conditions for extended periods may affect reliability.

DC Electrical Characteristics (Over the Operating Range, T_A = -40°C to +85°C, V_{CC} = 5V ±5%)

Parameters	Description	Test Conditions ⁽¹⁾	Min.	Typ ⁽²⁾	Max.	Units	
V _{IH}	Input HIGH Voltage	Guaranteed Logic HIGH Level	2.0	—	—	V	
V _{IL}	Input LOW Voltage	Guaranteed Logic LOW Level	-0.5	—	0.8	V	
I _{IH}	Input HIGH Current	V _{CC} = Max., V _{IN} = V _{CC}	—	—	±1	µA	
I _{IL}	Input LOW Current	V _{CC} = Max., V _{IN} = GND	—	—	±1	µA	
I _{OZH}	High Impedance Output Current	0 ≤ AB, CD ≤ V _{CC}	—	—	±1	µA	
V _{IK}	Clamp Diode Voltage	V _{CC} = Min., I _{IN} = -18mA	—	-0.7	-1.2	V	
I _{OS}	Short Circuit Current ⁽³⁾	AB (CD) = 0V, CD (AB) = V _{CC}	100	—	—	mA	
V _H	Input Hysteresis at Control Pins		—	150	—	mV	
R _{ON}	Switch On Resistance ⁽⁴⁾	V _{CC} = Min., V _{IN} = 0.0V, I _{ON} = 48mA	PI5C3383 PI5C32383	— 15	5 20	7 40	Ω
		V _{CC} = Min., V _{IN} = 2.4V, I _{ON} = 15mA	PI5C3383 PI5C32383	— 15	10 25	15 48	Ω

Capacitance (T_A = 25°C, f = 1 MHz)

Parameters ⁽⁵⁾	Description	Test Conditions	Typ	Max.	Units
C _{IN}	Input Capacitance	V _{IN} = 0V	—	6	pF
C _{OFF}	AB/CD Capacitance, Switch Off	V _{IN} = 0V	—	6	pF
C _{ON}	AB/CD Capacitance, Switch On	V _{IN} = 0V	—	8	pF

Notes:

1. For Max. or Min. conditions, use appropriate value specified under Electrical Characteristics for the applicable device type.
2. Typical values are at V_{CC} = 5.0V, T_A = 25°C ambient and maximum loading.
3. Not more than one output should be shorted at one time. Duration of the test should not exceed one second.
4. Measured by the voltage drop between AB and CD pin at indicated current through the switch. ON resistance is determined by the lower of the voltages on the two (A or B, C or D) pins.
5. This parameter is determined by device characterization but is not production tested.

Power Supply Characteristics

Parameters	Description	Test Conditions ⁽¹⁾		Min.	Typ ⁽²⁾	Max.	Units
I _{CC}	Quiescent Power Supply Current	V _{CC} = Max.	V _{IN} = GND or V _{CC}	—	0.1	3.0	μA
ΔI _{CC}	Supply Current per Input @ TTL HIGH	V _{CC} = Max.	V _{IN} = 3.4V ⁽³⁾	—	—	2.5	mA
I _{CCD}	Supply Current per Input per MHz ⁽⁴⁾	V _{CC} = Max., AB and CD Pins Open BE = GND Control Input Toggling 50% Duty Cycle		—	—	0.25	mA/ MHz

Notes:

1. For Max. or Min. conditions, use appropriate value specified under Electrical Characteristics for the applicable device.
2. Typical values are at V_{CC} = 5.0V, +25°C ambient.
3. Per TTL driven input (V_{IN} = 3.4V, control inputs only); A, B, C, and D pins do not contribute to I_{CC}.
4. This current applies to the control inputs only and represent the current required to switch internal capacitance at the specified frequency. The A, B, C, and D inputs generate no significant AC or DC currents as they transition. This parameter is not tested, but is guaranteed by design.

PI5C3383 Switching Characteristics over Operating Range

Parameters	Description	Conditions ⁽¹⁾	PI5C3383			Unit
			Com			
			Min	Typ	Max	
t _{PLH}	Propagation Delay ^(2,3)	C _L = 50 pF R _L = 500Ω	—	0.25	—	ns
t _{PHL}	Ax to Cx, Bx to Dx					
t _{PZH}	Bus Enable Time		1.5	—	6.5	ns
t _{PZL}	BE to Cx or Dx					
t _{PHZ}	Bus Disable Time		1.5	—	5.5	ns
t _{P LZ}	BE to Cx or Dx					
t _{BX}	Bus Exchange Time		1.5	—	6.5	ns
	BX to Cx or Dx					

Notes:

1. See test circuit and waveforms.
2. This parameter is guaranteed but not tested on Propagation Delays.
3. The bus switch contributes no propagational delay other than the RC delay of the ON resistance of the switch and the load capacitance. The time constant for the switch alone is of the order of 0.25ns for 50pF load. Since this time constant is much smaller than the rise/fall times of typical driving signals, it adds very little propagational delay to the system. Propagational delay of the bus switch when used in a system is determined by the driving circuit on the driving side of the switch and its interaction with the load on the driven side.

PI5C32383 Switching Characteristics over Operating Range

Parameters	Description	Conditions ⁽¹⁾	PI5C32383			Units
			Com			
			Min	Typ	Max	
tPLH	Propagation Delay ^(2,3)	CL = 50pF RL = 500Ω	—	1.25	—	ns
tPHL	Ax to Cx, Bx to Dx					
tpZH	Bus Enable Time		1.5	—	6.5	ns
tpZL	\overline{BE} to Cx or Dx					
tPHZ	Bus Disable Time		1.5	—	5.5	ns
tPLZ	\overline{BE} to Cx or Dx					
tbX	Bus Exchange Time		1.5	—	6.5	ns
	BX to Cx or Dx					

Notes:

1. See test circuit and waveforms.
2. This parameter is guaranteed but not tested on Propagation Delays.
3. The bus switch contributes no propagational delay other than the RC delay of the ON resistance of the switch and the load capacitance. The time constant for the switch alone is of the order of 0.25ns for 50pF load. Since this time constant is much smaller than the rise/fall times of typical driving signals, it adds very little propagational delay to the system. Propagational delay of the bus switch when used in a system is determined by the driving circuit on the driving side of the switch and its interaction with the load on the driven side.

Applications

Logic Inputs

The logic control inputs can be driven up to +5.5V regardless of the supply voltage. For example, given a 5.0V supply, the control or select pins may be driven low to 0V and high to 5.5V. Driving the control or select pins Rail-to-Rail minimizes power consumption.

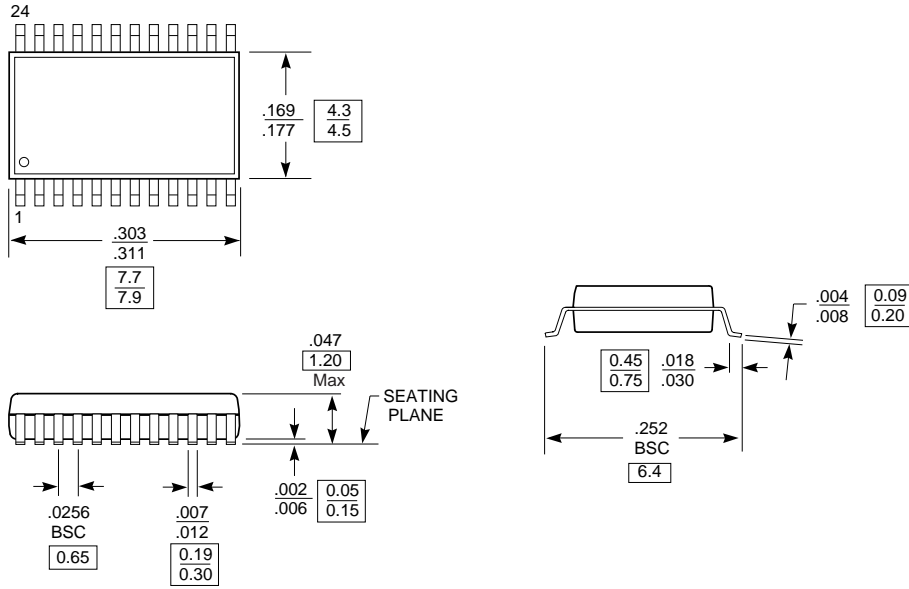
Power-Supply Sequencing

Proper power-supply sequencing is recommended for all CMOS devices. Always apply VCC before applying signals to the input/output or control pins.

Ordering Information

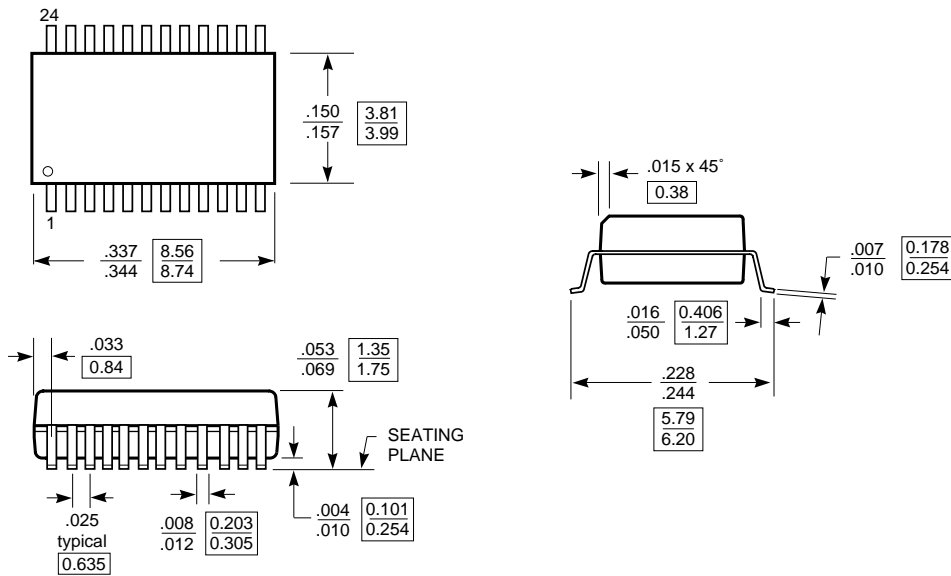
Part	Pin - Package	Temperature
PI5C3383L	24 TSSOP (L)	-40°C to +85°C
PI5C3383Q	24 QSOP (Q)	
PI5C3383S	24 SOIC (S)	

24-Pin TSSOP (L) Package Mechanicals



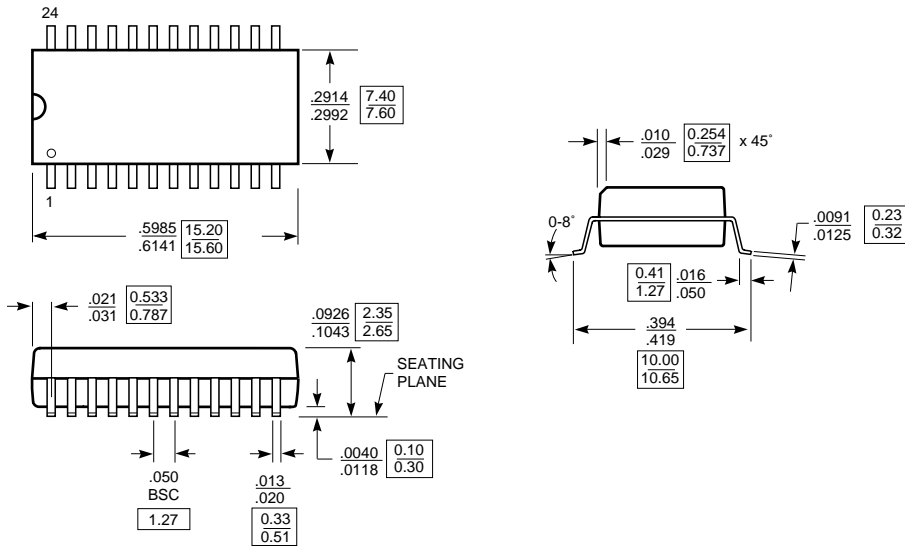
X.XX DENOTES CONTROLLING DIMENSIONS IN MILLIMETERS

24-Pin QSOP (Q) Package Mechanicals



X.XX DENOTES DIMENSIONS IN MILLIMETERS

24-Pin SOIC (S) Package Mechanicals



X.XX DENOTES DIMENSIONS
X.XX IN MILLIMETERS