

## TC74VHC595F, TC74VHC595FN, TC74VHC595FT, TC74VHC595FK

### 8-Bit Shift Register/Latch (3-state)

The TC74VHC595 is an advanced high speed 8-BIT SHIFT REGISTER/LATCH fabricated with silicon gate C<sup>2</sup>MOS technology.

It achieves the high speed operation similar to equivalent Bipolar Schottky TTL while maintaining the CMOS low power dissipation.

The TC74VHC595 contains an 8-bit static shift register which feeds an 8-bit storage register.

Shift operation is accomplished on the positive going transition of the SCK input. The output register is loaded with the contents of the shift register on the positive going transition of the RCK input. Since RCK and SCK signal are independent, parallel outputs can be held stable during the shift operation. And, since the parallel outputs are 3-state, it can be directly connected to 8-bit bus. This register can be used in serial-to-parallel conversion, data receivers, etc.

An input protection circuit ensures that 0 to 5.5 V can be applied to the input pins without regard to the supply voltage. This device can be used to interface 5 V to 3 V systems and two supply systems such as battery back up. This circuit prevents device destruction due to mismatched supply and input voltages.

### Features

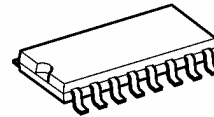
- High speed:  $f_{max} = 185 \text{ MHz (typ.)}$  at  $V_{CC} = 5 \text{ V}$
- Low power dissipation:  $I_{CC} = 4 \mu\text{A (max)}$  at  $T_a = 25^\circ\text{C}$
- High noise immunity:  $V_{NIH} = V_{NIL} = 28\% V_{CC} \text{ (min)}$
- Power down protection is provided on all inputs.
- Balanced propagation delays:  $t_{pLH} \approx t_{pHL}$
- Wide operating voltage range:  $V_{CC} \text{ (opr)} = 2 \text{ V to } 5.5 \text{ V}$
- Low noise:  $V_{OLP} = 1.0 \text{ V (max)}$
- Pin and function compatible with 74ALS595

#### Weight

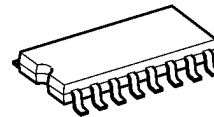
- SOP16-P-300-1.27A: 0.18 g (typ.)
- SOP16-P-300-1.27: 0.18 g (typ.)
- SOL16-P-150-1.27: 0.13 g (typ.)
- TSSOP16-P-0044-0.65A: 0.06 g (typ.)
- VSSOP16-P-0030-0.50: 0.02 g (typ.)

Note: xxxFN (JEDEC SOP) is not available in Japan.

TC74VHC595F

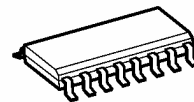


SOP16-P-300-1.27A



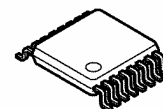
SOP16-P-300-1.27

TC74VHC595FN



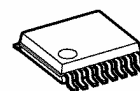
SOL16-P-150-1.27

TC74VHC595FT



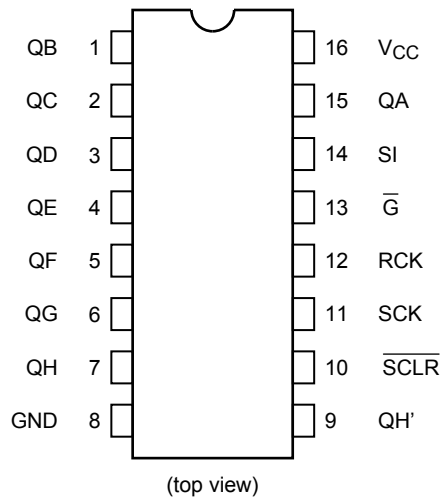
TSSOP16-P-0044-0.65A

TC74VHC595FK

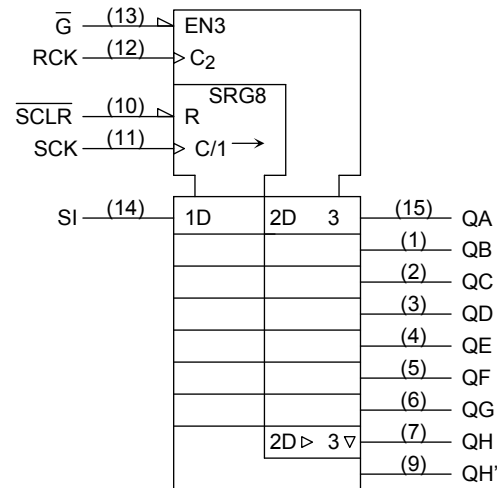


VSSOP16-P-0030-0.50

## Pin Assignment



## IEC Logic Symbol

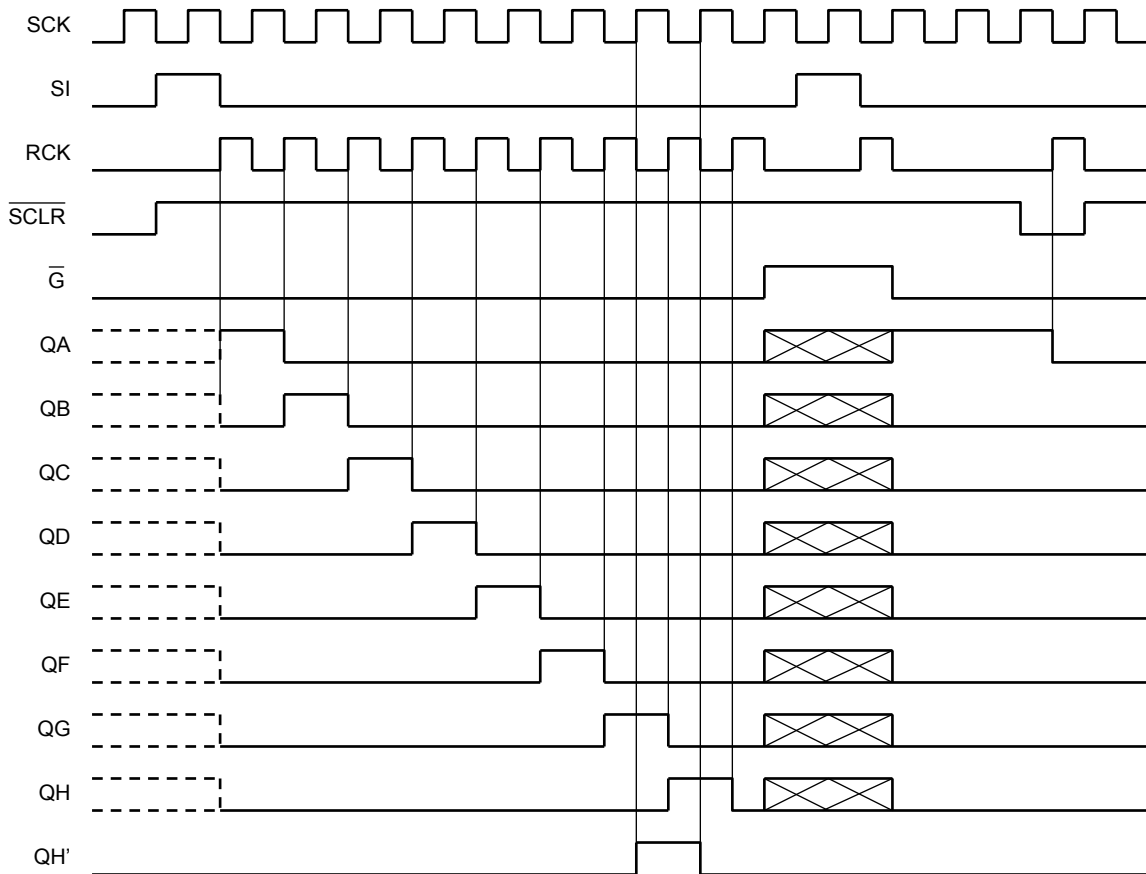


## Truth Table

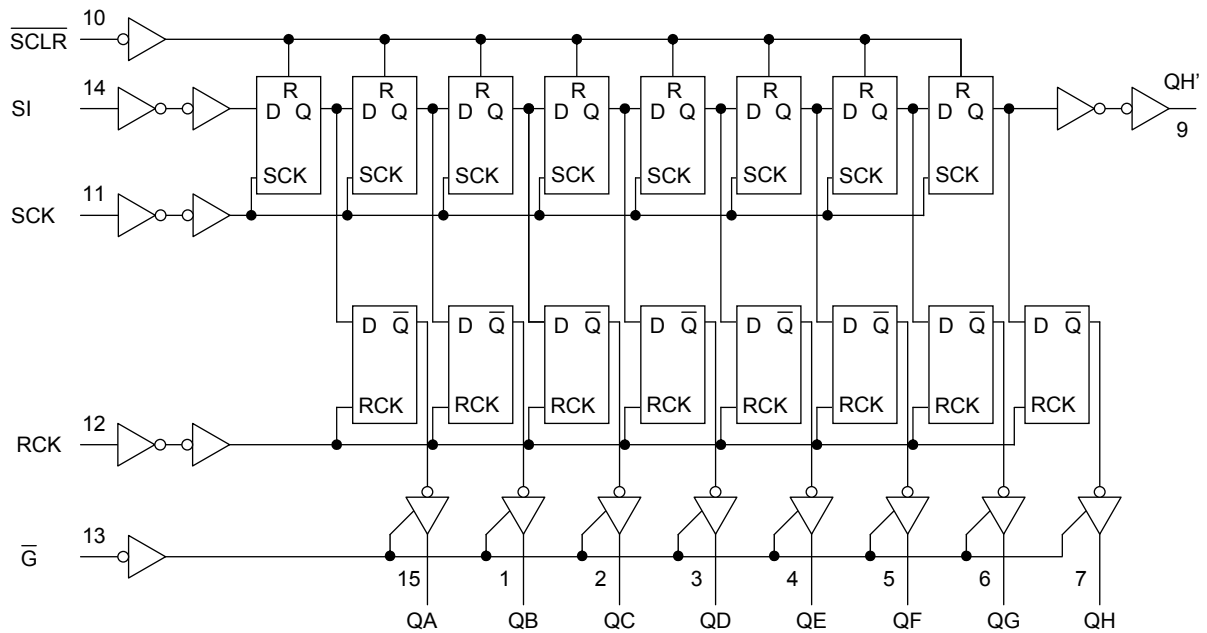
Inputs					Function
SI	SCK	SCLR	RCK	G-bar	
X	X	X	X	H	QA thru QH outputs disable
X	X	X	X	L	QA thru QH outputs enable
X	X	L	X	X	Shift register is cleared.
L		H	X	X	First stage of S.R. becomes "L". Other stages store the data of previous stage, respectively.
H		H	X	X	First stage of S.R. becomes "H". Other stages store the data of previous stage, respectively.
X		H	X	X	State of S.R. is not changed.
X	X	X		X	S.R. data is stored into storage register.
X	X	X		X	Storage register stage is not changed.

X: Don't care

**Timing Chart**



**System Diagram**



## Absolute Maximum Ratings (Note)

Characteristics	Symbol	Rating	Unit
Supply voltage range	$V_{CC}$	-0.5 to 7.0	V
DC input voltage	$V_{IN}$	-0.5 to 7.0	V
DC output voltage	$V_{OUT}$	-0.5 to $V_{CC} + 0.5$	V
Input diode current	$I_{IK}$	-20	mA
Output diode current	$I_{OK}$	$\pm 20$	mA
DC output current	$I_{OUT}$	$\pm 25$	mA
DC $V_{CC}$ /ground current	$I_{CC}$	$\pm 75$	mA
Power dissipation	$P_D$	180	mW
Storage temperature	$T_{stg}$	-65 to 150	$^{\circ}C$

Note: Exceeding any of the absolute maximum ratings, even briefly, lead to deterioration in IC performance or even destruction.

## Recommended Operating Conditions (Note)

Characteristics	Symbol	Rating	Unit
Supply voltage	$V_{CC}$	2.0 to 5.5	V
Input voltage	$V_{IN}$	0 to 5.5	V
Output voltage	$V_{OUT}$	0 to $V_{CC}$	V
Operating temperature	$T_{opr}$	-40 to 85	$^{\circ}C$
Input rise and fall time	dt/dv	0 to 100 ( $V_{CC} = 3.3 \pm 0.3$ V) 0 to 20 ( $V_{CC} = 5 \pm 0.5$ V)	ns/V

Note: The recommended operating conditions are required to ensure the normal operation of the device. Unused inputs must be tied to either VCC or GND.

## Electrical Characteristics

### DC Characteristics

Characteristics	Symbol	Test Condition	V <sub>CC</sub> (V)	Ta = 25°C			Ta = -40 to 85°C		Unit	
				Min	Typ.	Max	Min	Max		
High-level input voltage	V <sub>IH</sub>	—	2.0 3.0 to 5.5	1.50 V <sub>CC</sub> × 0.7	— —	— —	1.50 V <sub>CC</sub> × 0.7	— —	V	
Low-level input voltage	V <sub>IL</sub>	—	2.0 3.0 to 5.5	— —	— —	0.50 V <sub>CC</sub> × 0.3	— —	0.50 V <sub>CC</sub> × 0.3	V	
High-level output voltage	V <sub>OH</sub>	V <sub>IN</sub> = V <sub>IH</sub> or V <sub>IL</sub>	I <sub>OH</sub> = -50 μA	2.0 3.0 4.5	1.9 2.9 4.4	2.0 3.0 4.5	— — —	1.9 2.9 4.4	— — —	V
			I <sub>OH</sub> = -4 mA	3.0	2.58	—	—	2.48	—	
			I <sub>OH</sub> = -8 mA	4.5	3.94	—	—	3.80	—	
Low-level output voltage	V <sub>OL</sub>	V <sub>IN</sub> = V <sub>IH</sub> or V <sub>IL</sub>	I <sub>OL</sub> = 50 μA	2.0 3.0 4.5	— — —	0.0 0.0 0.0	0.1 0.1 0.1	— — —	0.1 0.1 0.1	V
			I <sub>OL</sub> = 4 mA	3.0	—	—	0.36	—	0.44	
			I <sub>OL</sub> = 8 mA	4.5	—	—	0.36	—	0.44	
3-state output off-state current	I <sub>OZ</sub>	V <sub>IN</sub> = V <sub>IH</sub> or V <sub>IL</sub> V <sub>OUT</sub> = V <sub>CC</sub> or GND	5.5	—	—	±0.25	—	±2.50	μA	
Input leakage current	I <sub>IN</sub>	V <sub>IN</sub> = 5.5 V or GND	0 to 5.5	—	—	±0.1	—	±1.0	μA	
Quiescent supply current	I <sub>CC</sub>	V <sub>IN</sub> = V <sub>CC</sub> or GND	5.5	—	—	4.0	—	40.0	μA	

### Timing Requirements (input: $t_r = t_f = 3 \text{ ns}$ )

Characteristics	Symbol	Test Condition	Ta = 25°C			Ta = -40 to 85°C	Unit
			V <sub>CC</sub> (V)	Typ.	Limit	Limit	
Minimum pulse width (SCK, RCK)	$t_w$ (H)	—	3.3 ± 0.3	—	5.0	5.0	ns
	$t_w$ (L)		5.0 ± 0.5	—	5.0	5.0	
Minimum pulse width ( $\overline{\text{SCLR}}$ )	$t_w$ (L)	—	3.3 ± 0.3	—	5.0	5.0	ns
Minimum set-up time (SI-SCK)	$t_s$	—	3.3 ± 0.3	—	3.5	3.5	ns
			5.0 ± 0.5	—	3.0	3.0	
Minimum set-up time (SCK-RCK)	$t_s$	—	3.3 ± 0.3	—	8.0	8.5	ns
			5.0 ± 0.5	—	5.0	5.0	
Minimum set-up time ( $\overline{\text{SCLR}}$ -RCK)	$t_s$	—	3.3 ± 0.3	—	8.0	9.0	ns
			5.0 ± 0.5	—	5.0	5.0	
Minimum hold time (SI-SCK)	$t_h$	—	3.3 ± 0.3	—	1.5	1.5	ns
			5.0 ± 0.5	—	2.0	2.0	
Minimum hold time (SCK-RCK)	$t_h$	—	3.3 ± 0.3	—	0	0	ns
			5.0 ± 0.5	—	0	0	
Minimum hold time ( $\overline{\text{SCLR}}$ -RCK)	$t_h$	—	3.3 ± 0.3	—	0	0	ns
			5.0 ± 0.5	—	0	0	
Minimum removal time ( $\overline{\text{SCLR}}$ )	$t_{rem}$	—	3.3 ± 0.3	—	3.0	3.0	ns
			5.0 ± 0.5	—	2.5	2.5	

## AC Characteristics (input: $t_r = t_f = 3$ ns)

Characteristics	Symbol	Test Condition	Ta = 25°C			Ta = -40 to 85°C		Unit		
			V <sub>CC</sub> (V)	C <sub>L</sub> (pF)	Min	Typ.	Max		Min	Max
Propagation delay time (SCK-QH')	t <sub>pLH</sub>	—	3.3 ± 0.3	15	—	8.8	13.0	1.0	15.0	ns
				50	—	11.3	16.5	1.0	18.5	
	5.0 ± 0.5		15	—	6.2	8.2	1.0	9.4		
			50	—	7.7	10.2	1.0	11.4		
Propagation delay time (SCLR-QH')	t <sub>pHL</sub>	—	3.3 ± 0.3	15	—	8.4	12.8	1.0	13.7	ns
				50	—	10.9	16.3	1.0	17.2	
			5.0 ± 0.5	15	—	5.9	8.0	1.0	9.1	
				50	—	7.4	10.0	1.0	11.1	
Propagation delay time (RCK-Q <sub>n</sub> )	t <sub>pLH</sub>	—	3.3 ± 0.3	15	—	7.7	11.9	1.0	13.5	ns
				50	—	10.2	15.4	1.0	17.0	
	5.0 ± 0.5		15	—	5.4	7.4	1.0	8.5		
			50	—	6.9	9.4	1.0	10.5		
Output enable time	t <sub>pZL</sub>	R <sub>L</sub> = 1 kΩ	3.3 ± 0.3	15	—	7.5	11.5	1.0	13.5	ns
				50	—	9.0	15.0	1.0	17.0	
	5.0 ± 0.5		15	—	4.8	8.6	1.0	10.0		
			50	—	8.3	10.6	1.0	12.0		
Output disable time	t <sub>pLZ</sub>	R <sub>L</sub> = 1 kΩ	3.3 ± 0.3	50	—	12.1	15.7	1.0	16.2	ns
			5.0 ± 0.5	50	—	7.6	10.3	1.0	11.0	
Maximum clock frequency	f <sub>max</sub>	—	3.3 ± 0.3	15	80	150	—	70	—	MHz
				50	55	130	—	50	—	
			5.0 ± 0.5	15	135	185	—	115	—	
				50	95	155	—	85	—	
Input capacitance	C <sub>IN</sub>	—	—	—	4	10	—	10	pF	
Output capacitance	C <sub>OUT</sub>	—	—	—	6	—	—	—	pF	
Power dissipation capacitance	C <sub>PD</sub>	(Note)	—	—	87	—	—	—	pF	

Note: C<sub>PD</sub> is defined as the value of the internal equivalent capacitance which is calculated from the operating current consumption without load.

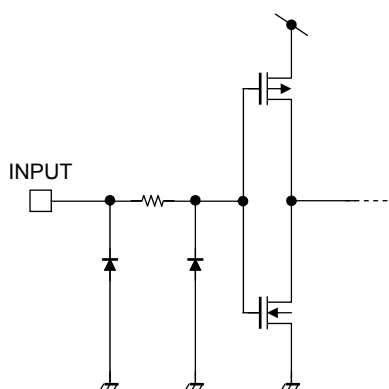
Average operating current can be obtained by the equation:

$$I_{CC(opr)} = C_{PD} \cdot V_{CC} \cdot f_{IN} + I_{CC}$$

## Noise Characteristics (input: $t_r = t_f = 3 \text{ ns}$ )

Characteristics	Symbol	Test Condition	Ta = 25°C			Unit
			V <sub>CC</sub> (V)	Typ.	Limit	
Quiet output maximum dynamic V <sub>OL</sub>	V <sub>OLP</sub>	C <sub>L</sub> = 50 pF	5.0	0.8	1.0	V
Quiet output minimum dynamic V <sub>OL</sub>	V <sub>OLV</sub>	C <sub>L</sub> = 50 pF	5.0	-0.8	-1.0	V
Minimum high level dynamic input voltage	V <sub>IHD</sub>	C <sub>L</sub> = 50 pF	5.0	—	3.5	V
Maximum low level dynamic input voltage	V <sub>ILD</sub>	C <sub>L</sub> = 50 pF	5.0	—	1.5	V

## Input Equivalent Circuit

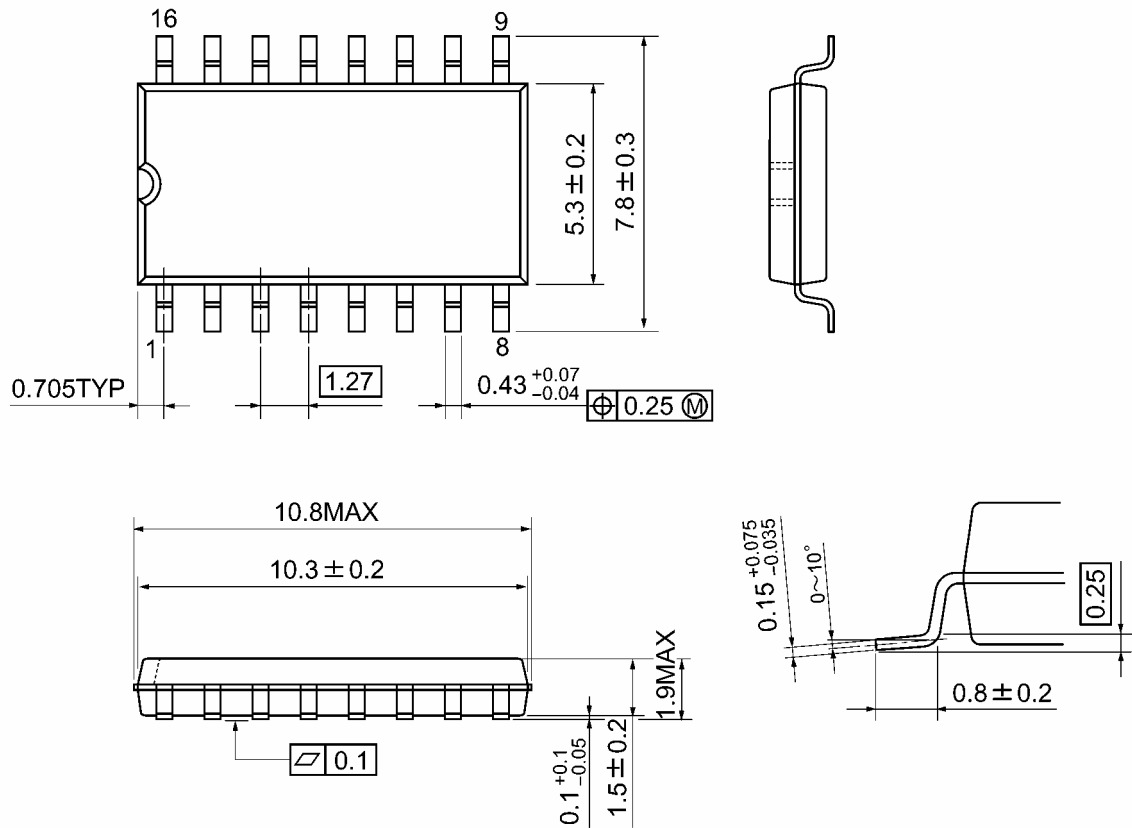




## Package Dimensions

SOP16-P-300-1.27A

Unit: mm

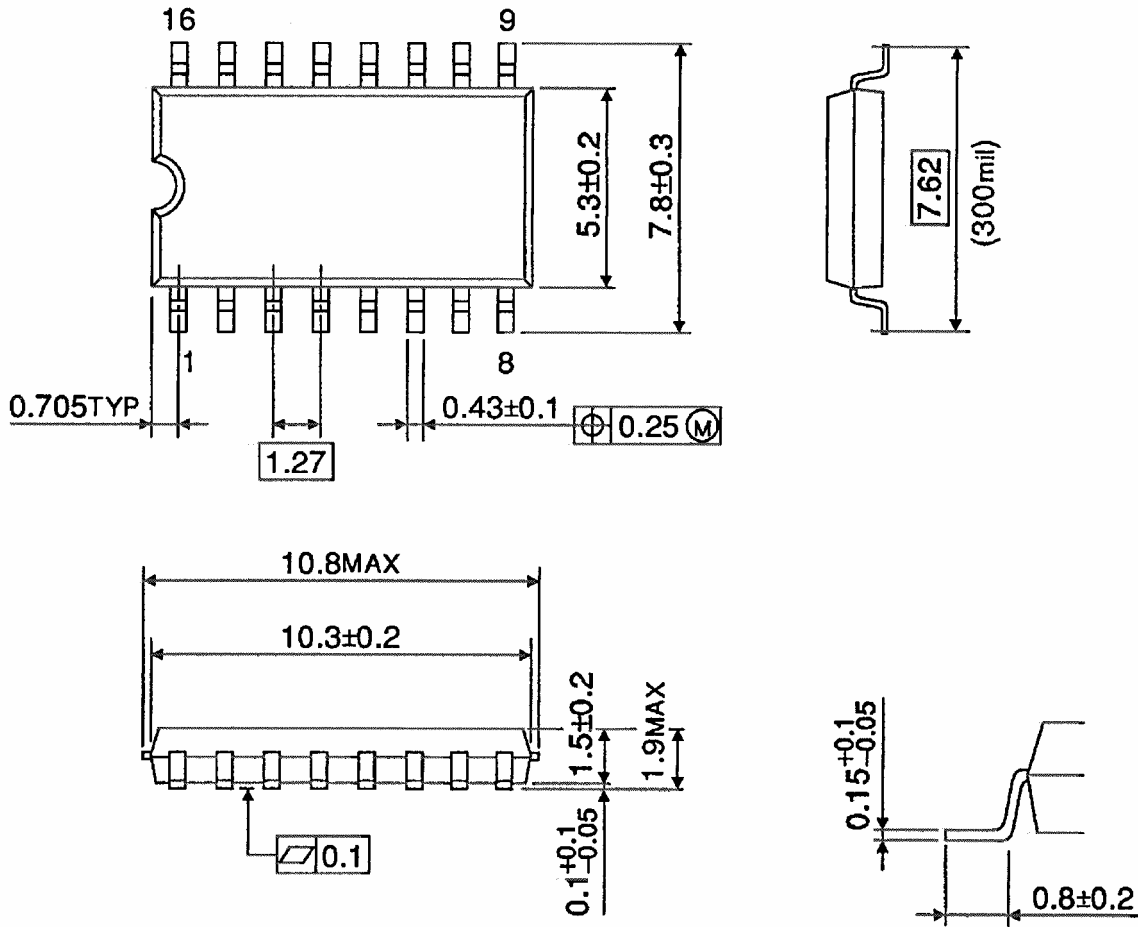


Weight: 0.18 g (typ.)

## Package Dimensions

SOP16-P-300-1.27

Unit : mm

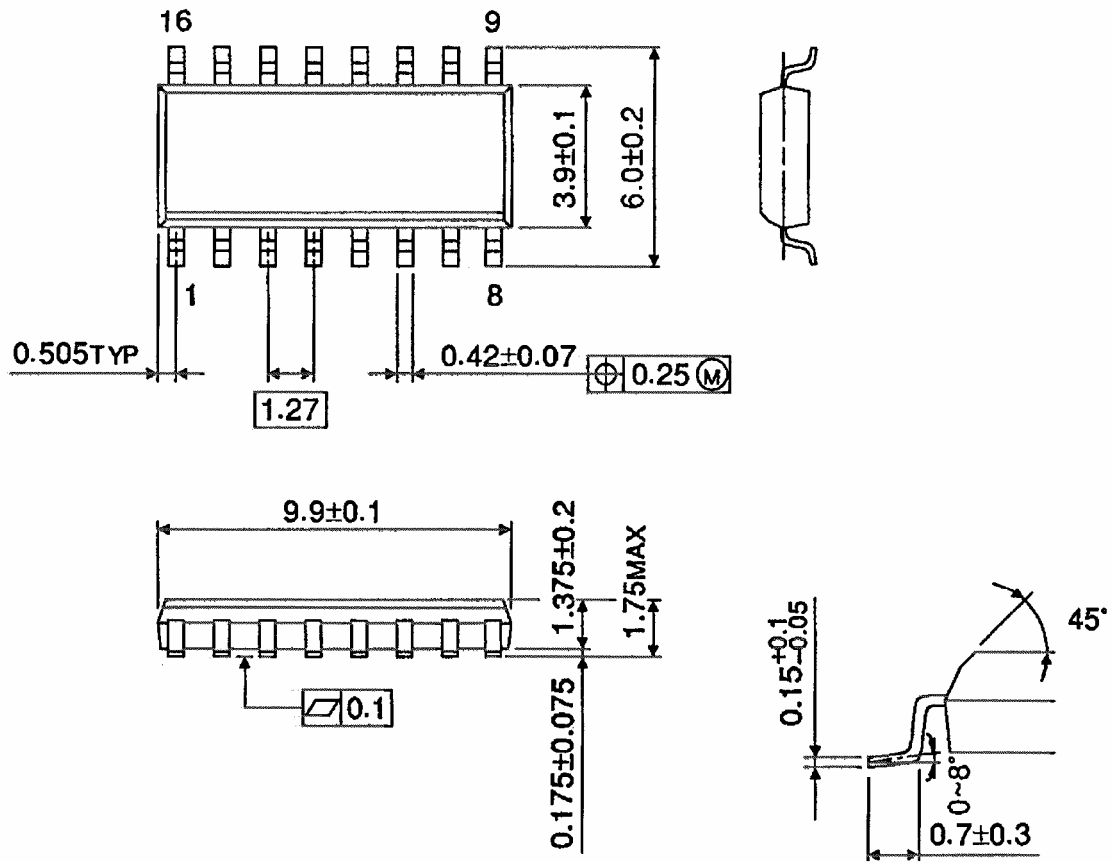


Weight: 0.18 g (typ.)

## Package Dimensions (Note)

SOL16-P-150-1.27

Unit : mm



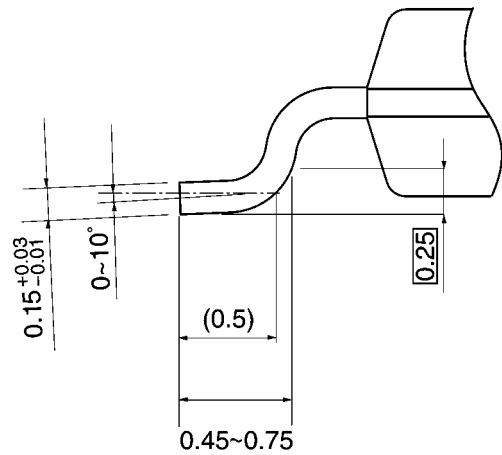
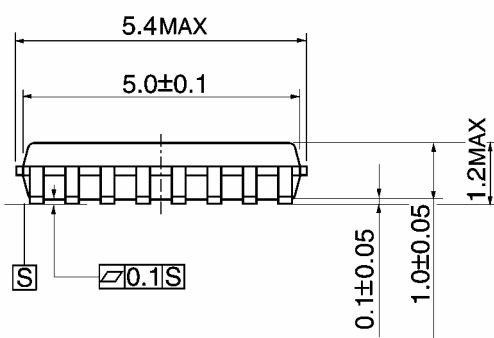
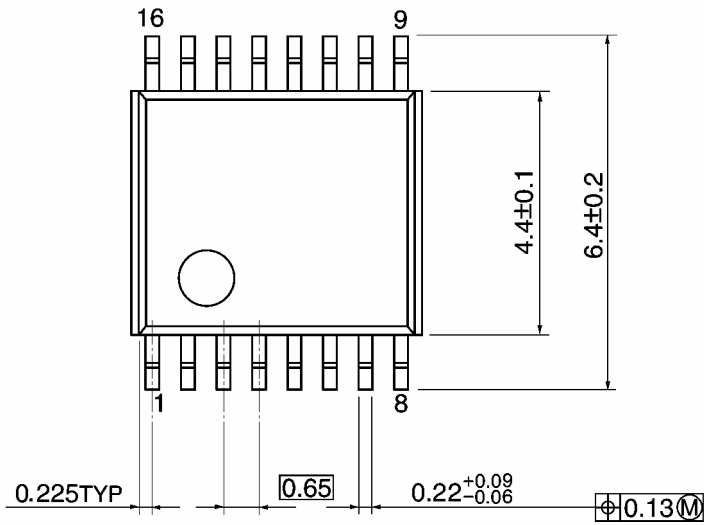
Note: This package is not available in Japan.

Weight: 0.13 g (typ.)

## Package Dimensions

TSSOP16-P-0044-0.65A

Unit: mm

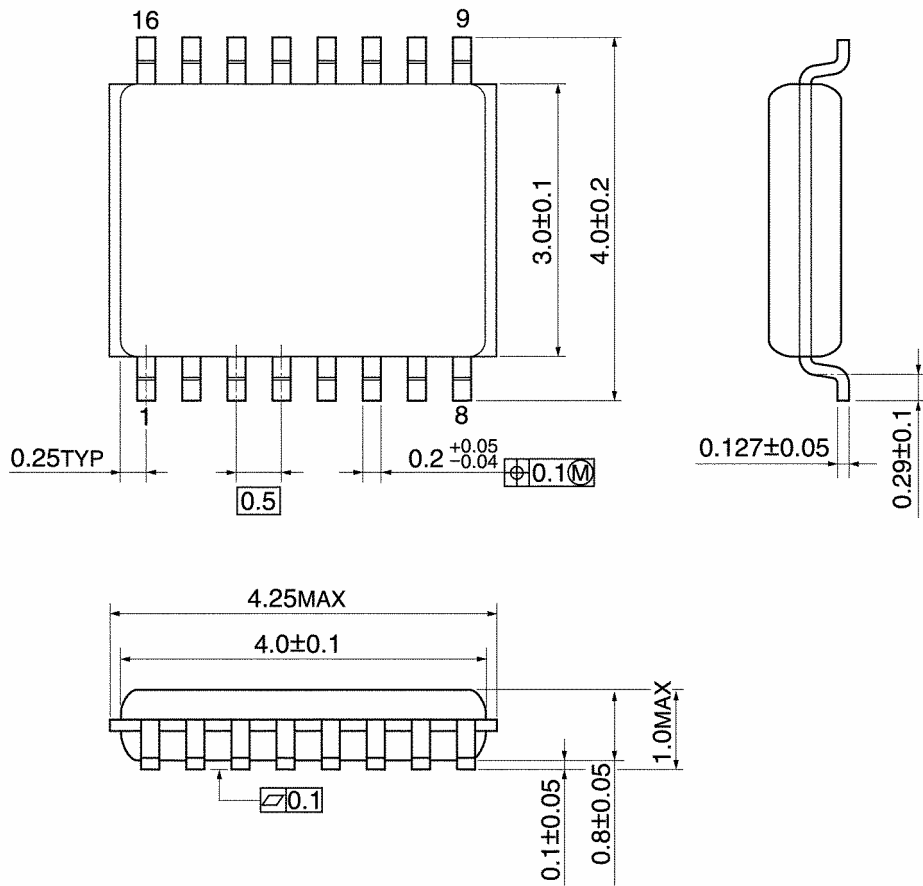


Weight: 0.06 g (typ.)

## Package Dimensions

VSSOP16-P-0030-0.50

Unit: mm



Weight: 0.02 g (typ.)

**Note: Lead (Pb)-Free Packages****SOP16-P-300-1.27A SOL16-P-150-1.27 TSSOP16-P-0044-0.65A VSSOP16-P-0030-0.50****RESTRICTIONS ON PRODUCT USE**

20070701-EN

- The information contained herein is subject to change without notice.
- TOSHIBA is continually working to improve the quality and reliability of its products. Nevertheless, semiconductor devices in general can malfunction or fail due to their inherent electrical sensitivity and vulnerability to physical stress. It is the responsibility of the buyer, when utilizing TOSHIBA products, to comply with the standards of safety in making a safe design for the entire system, and to avoid situations in which a malfunction or failure of such TOSHIBA products could cause loss of human life, bodily injury or damage to property.  
In developing your designs, please ensure that TOSHIBA products are used within specified operating ranges as set forth in the most recent TOSHIBA products specifications. Also, please keep in mind the precautions and conditions set forth in the "Handling Guide for Semiconductor Devices," or "TOSHIBA Semiconductor Reliability Handbook" etc.
- The TOSHIBA products listed in this document are intended for usage in general electronics applications (computer, personal equipment, office equipment, measuring equipment, industrial robotics, domestic appliances, etc.). These TOSHIBA products are neither intended nor warranted for usage in equipment that requires extraordinarily high quality and/or reliability or a malfunction or failure of which may cause loss of human life or bodily injury ("Unintended Usage"). Unintended Usage include atomic energy control instruments, airplane or spaceship instruments, transportation instruments, traffic signal instruments, combustion control instruments, medical instruments, all types of safety devices, etc.. Unintended Usage of TOSHIBA products listed in this document shall be made at the customer's own risk.
- The products described in this document shall not be used or embedded to any downstream products of which manufacture, use and/or sale are prohibited under any applicable laws and regulations.
- The information contained herein is presented only as a guide for the applications of our products. No responsibility is assumed by TOSHIBA for any infringements of patents or other rights of the third parties which may result from its use. No license is granted by implication or otherwise under any patents or other rights of TOSHIBA or the third parties.
- Please contact your sales representative for product-by-product details in this document regarding RoHS compatibility. Please use these products in this document in compliance with all applicable laws and regulations that regulate the inclusion or use of controlled substances. Toshiba assumes no liability for damage or losses occurring as a result of noncompliance with applicable laws and regulations.