

# MC74LCX573

## Low-Voltage CMOS Octal Transparent Latch Flow Through Pinout

With 5 V-Tolerant Inputs and Outputs  
(3-State, Non-Inverting)

The MC74LCX573 is a high performance, non-inverting octal transparent latch operating from a 2.3 to 3.6 V supply. High impedance TTL compatible inputs significantly reduce current loading to input drivers while TTL compatible outputs offer improved switching noise performance. A  $V_I$  specification of 5.5 V allows MC74LCX573 inputs to be safely driven from 5.0 V devices.

The MC74LCX573 contains 8 D-type latches with 3-state standard outputs. When the Latch Enable (LE) input is HIGH, data on the Dn inputs enters the latches. In this condition, the latches are transparent, i.e., a latch output will change state each time its D input changes. When LE is LOW, the latches store the information that was present on the D inputs a setup time preceding the HIGH-to-LOW transition of LE. The 3-state standard outputs are controlled by the Output Enable ( $\overline{OE}$ ) input. When  $\overline{OE}$  is LOW, the standard outputs are enabled. When  $\overline{OE}$  is HIGH, the standard outputs are in the high impedance state, but this does not interfere with new data entering into the latches. The LCX573 flow through design facilitates easy PC board layout.

### Features

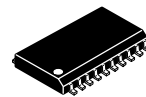
- Designed for 2.3 to 3.6 V  $V_{CC}$  Operation
- 5.0 V Tolerant - Interface Capability With 5.0 V TTL Logic
- Supports Live Insertion and Withdrawal
- $I_{OFF}$  Specification Guarantees High Impedance When  $V_{CC} = 0$  V
- LVTTL Compatible
- LVCMOS Compatible
- 24 mA Balanced Output Sink and Source Capability
- Near Zero Static Supply Current in All Three Logic States (10  $\mu$ A)  
Substantially Reduces System Power Requirements
- Latchup Performance Exceeds 500 mA
- ESD Performance: Human Body Model >2000 V  
Machine Model >200 V
- Pb-Free Packages are Available



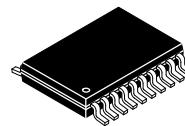
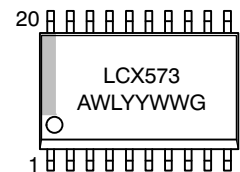
ON Semiconductor®

<http://onsemi.com>

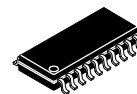
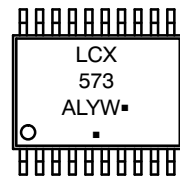
### MARKING DIAGRAMS



SOIC-20  
DW SUFFIX  
CASE 751D



TSSOP-20  
DT SUFFIX  
CASE 948E



SOEIAJ-20  
M SUFFIX  
CASE 967



A = Assembly Location  
L, WL = Wafer Lot  
Y, YY = Year  
W, WW = Work Week  
G = Pb-Free Package  
▪ = Pb-Free Package  
(Note: Microdot may be in either location)

### ORDERING INFORMATION

See detailed ordering and shipping information in the package dimensions section on page 3 of this data sheet.

# MC74LCX573

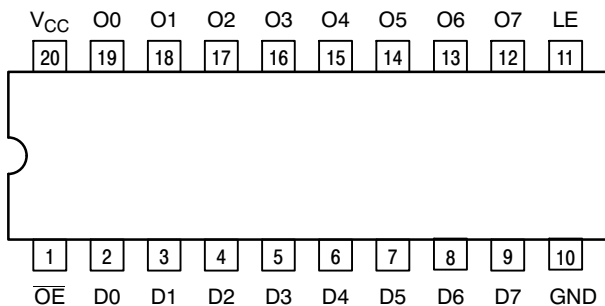


Figure 1. Pinout (Top View)

### PIN NAMES

| PINS            | FUNCTION              |
|-----------------|-----------------------|
| $\overline{OE}$ | Output Enable Input   |
| LE              | Latch Enable Input    |
| D0-D7           | Data Inputs           |
| O0-O7           | 3-State Latch Outputs |

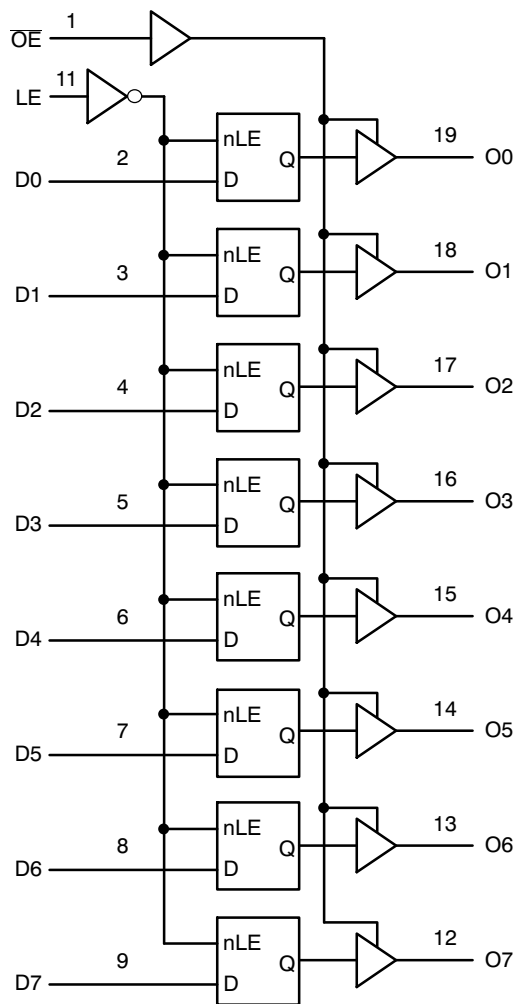


Figure 2. Logic Diagram

### TRUTH TABLE

| INPUTS |    |    | OUTPUTS | OPERATING MODE                                 |
|--------|----|----|---------|--|
| OE     | LE | Dn | On      |  |
| L      | H  | H  | H       | Transparent (Latch Disabled); Read Latch       |
| L      | H  | L  | L       |  |
| L      | L  | h  | H       | Latched (Latch Enabled) Read Latch             |
| L      | L  | l  | L       |  |
| L      | L  | X  | NC      | Hold; Read Latch                               |
| H      | L  | X  | Z       | Hold; Disabled Outputs                         |
| H      | H  | H  | Z       | Transparent (Latch Disabled); Disabled Outputs |
| H      | H  | L  | Z       |  |
| H      | L  | h  | Z       | Latched (Latch Enabled); Disabled Outputs      |
| H      | L  | l  | Z       |  |

H = High Voltage Level;  
h = High Voltage Level One Setup Time Prior to the Latch Enable High-to-Low Transition  
L = Low Voltage Level  
l = Low Voltage Level One Setup Time Prior to the Latch Enable High-to-Low Transition  
NC = No Change, State Prior to the Latch Enable High-to-Low Transition  
X = High or Low Voltage Level or Transitions are Acceptable  
Z = High Impedance State  
For I<sub>CC</sub> Reasons DO NOT FLOAT Inputs

# MC74LCX573

## MAXIMUM RATINGS

| Symbol           | Parameter                        | Value   | Condition                            | Unit |
|------------------|----------------------------------|---|--------------------------------------|------|
| V <sub>CC</sub>  | DC Supply Voltage                | -0.5 to +7.0                                  |                                      | V    |
| V <sub>I</sub>   | DC Input Voltage                 | -0.5 ≤ V <sub>I</sub> ≤ +7.0                  |                                      | V    |
| V <sub>O</sub>   | DC Output Voltage                | -0.5 ≤ V <sub>O</sub> ≤ +7.0                  | Output in 3-State                    | V    |
|                  |                                  | -0.5 ≤ V <sub>O</sub> ≤ V <sub>CC</sub> + 0.5 | Output in HIGH or LOW State (Note 1) | V    |
| I <sub>IK</sub>  | DC Input Diode Current           | -50   | V <sub>I</sub> < GND                 | mA   |
| I <sub>OK</sub>  | DC Output Diode Current          | -50   | V <sub>O</sub> < GND                 | mA   |
|                  |                                  | +50   | V <sub>O</sub> > V <sub>CC</sub>     | mA   |
| I <sub>O</sub>   | DC Output Source/Sink Current    | ±50   |                                      | mA   |
| I <sub>CC</sub>  | DC Supply Current Per Supply Pin | ±100  |                                      | mA   |
| I <sub>GND</sub> | DC Ground Current Per Ground Pin | ±100  |                                      | mA   |
| T <sub>STG</sub> | Storage Temperature Range        | -65 to +150                                   |                                      | °C   |

Stresses exceeding Maximum Ratings may damage the device. Maximum Ratings are stress ratings only. Functional operation above the Recommended Operating Conditions is not implied. Extended exposure to stresses above the Recommended Operating Conditions may affect device reliability.

1. I<sub>O</sub> absolute maximum rating must be observed.

## RECOMMENDED OPERATING CONDITIONS

| Symbol          | Parameter  | Min                             | Typ | Max             | Unit |   |
|-----------------|--|---------------------------------|-----|-----------------|------|---|
| V <sub>CC</sub> | Supply Voltage   | Operating                       | 2.0 | 2.5, 3.3        | 3.6  | V |
|                 |  | Data Retention Only             | 1.5 | 2.5, 3.3        | 3.6  |   |
| V <sub>I</sub>  | Input Voltage  | 0                               |     | 5.5             | V    |   |
| V <sub>O</sub>  | Output Voltage<br>(HIGH or LOW State)<br>(3-State)   | 0                               |     | V <sub>CC</sub> | V    |   |
|                 |  | 0                               |     | 5.5             |      |   |
| I <sub>OH</sub> | HIGH Level Output Current  | V <sub>CC</sub> = 3.0 V - 3.6 V |     | -24             | mA   |   |
|                 |  | V <sub>CC</sub> = 2.7 V - 3.0 V |     | -12             |      |   |
|                 |  | V <sub>CC</sub> = 2.3 V - 2.7 V |     | -8              |      |   |
| I <sub>OL</sub> | LOW Level Output Current   | V <sub>CC</sub> = 3.0 V - 3.6 V |     | +24             | mA   |   |
|                 |  | V <sub>CC</sub> = 2.7 V - 3.0 V |     | +12             |      |   |
|                 |  | V <sub>CC</sub> = 2.3 V - 2.7 V |     | +8              |      |   |
| T <sub>A</sub>  | Operating Free-Air Temperature   | -55                             |     | +125            | °C   |   |
| Δt/ΔV           | Input Transition Rise or Fall Rate, V <sub>IN</sub> from 0.8 V to 2.0 V, V <sub>CC</sub> = 3.0 V | 0                               |     | 10              | ns/V |   |

## ORDERING INFORMATION

| Device          | Package                | Shipping <sup>†</sup> |
|-----------------|------------------------|-----------------------|
| MC74LCX573DW    | SOIC-20                | 38 Units / Rail       |
| MC74LCX573DWG   | SOIC-20<br>(Pb-Free)   | 38 Units / Rail       |
| MC74LCX573DWR2  | SOIC-20                | 1000 Tape & Reel      |
| MC74LCX573DWR2G | SOIC-20<br>(Pb-Free)   | 1000 Tape & Reel      |
| MC74LCX573DT    | TSSOP-20*              | 75 Units / Rail       |
| MC74LCX573DTG   | TSSOP-20*              | 75 Units / Rail       |
| MC74LCX573DTR2  | TSSOP-20*              | 2000 Tape & Reel      |
| MC74LCX573DTR2G | TSSOP-20*              | 2000 Tape & Reel      |
| MC74LCX573M     | SOEIAJ-20              | 40 Units / Rail       |
| MC74LCX573MG    | SOEIAJ-20<br>(Pb-Free) | 40 Units / Rail       |
| MC74LCX573MEL   | SOEIAJ-20              | 2000 Tape & Reel      |

<sup>†</sup>For information on tape and reel specifications, including part orientation and tape sizes, please refer to our Tape and Reel Packaging Specifications Brochure, BRD8011/D.

\*This package is inherently Pb-Free.

# MC74LCX573

## DC ELECTRICAL CHARACTERISTICS

| Symbol           | Characteristic                        | Condition   | T <sub>A</sub> = -40°C to +85°C |      | T <sub>A</sub> = -55°C to +125°C |      | Unit |
|------------------|---------------------------------------|---|---------------------------------|------|----------------------------------|------|------|
|                  |                                       |   | Min                             | Max  | Min                              | Max  |      |
| V <sub>IH</sub>  | HIGH Level Input Voltage (Note 2)     | 2.3 V ≤ V <sub>CC</sub> ≤ 2.7 V   | 1.7                             |      | 1.7                              |      | V    |
|                  |                                       | 2.7 V ≤ V <sub>CC</sub> ≤ 3.6 V   | 2.0                             |      | 2.0                              |      |      |
| V <sub>IL</sub>  | LOW Level Input Voltage (Note 2)      | 2.3 V ≤ V <sub>CC</sub> ≤ 2.7 V   |                                 | 0.7  |                                  | 0.7  | V    |
|                  |                                       | 2.7 V ≤ V <sub>CC</sub> ≤ 3.6 V   |                                 | 0.8  |                                  | 0.8  |      |
| V <sub>OH</sub>  | HIGH Level Output Voltage             | 2.3 V ≤ V <sub>CC</sub> ≤ 3.6 V; I <sub>OL</sub> = 100 μA   | V <sub>CC</sub> - 0.2           |      | V <sub>CC</sub> - 0.2            |      | V    |
|                  |                                       | V <sub>CC</sub> = 2.3 V; I <sub>OH</sub> = -8 mA  | 1.8                             |      | 1.8                              |      |      |
|                  |                                       | V <sub>CC</sub> = 2.7 V; I <sub>OH</sub> = -12 mA   | 2.2                             |      | 2.2                              |      |      |
|                  |                                       | V <sub>CC</sub> = 3.0 V; I <sub>OH</sub> = -18 mA   | 2.4                             |      | 2.4                              |      |      |
|                  |                                       | V <sub>CC</sub> = 3.0 V; I <sub>OH</sub> = -24 mA   | 2.2                             |      | 2.2                              |      |      |
| V <sub>OL</sub>  | LOW Level Output Voltage              | 2.3 V ≤ V <sub>CC</sub> ≤ 3.6 V; I <sub>OL</sub> = 100 μA   |                                 | 0.2  |                                  | 0.2  | V    |
|                  |                                       | V <sub>CC</sub> = 2.3 V; I <sub>OL</sub> = 8 mA   |                                 | 0.6  |                                  | 0.6  |      |
|                  |                                       | V <sub>CC</sub> = 2.7 V; I <sub>OL</sub> = 12 mA  |                                 | 0.4  |                                  | 0.4  |      |
|                  |                                       | V <sub>CC</sub> = 3.0 V; I <sub>OL</sub> = 16 mA  |                                 | 0.4  |                                  | 0.4  |      |
|                  |                                       | V <sub>CC</sub> = 3.0 V; I <sub>OL</sub> = 24 mA  |                                 | 0.55 |                                  | 0.60 |      |
| I <sub>I</sub>   | Input Leakage Current                 | 2.3 V ≤ V <sub>CC</sub> ≤ 3.6 V; 0 V ≤ V <sub>I</sub> ≤ 5.5 V   |                                 | ±5   |                                  | ±5   | μA   |
| I <sub>OZ</sub>  | 3-State Output Current                | 2.3 ≤ V <sub>CC</sub> ≤ 3.6 V; 0V ≤ V <sub>O</sub> ≤ 5.5 V; V <sub>I</sub> = V <sub>IH</sub> or V <sub>IL</sub> |                                 | ±5   |                                  | ±5   | μA   |
| I <sub>OFF</sub> | Power-Off Leakage Current             | V <sub>CC</sub> = 0 V; V <sub>I</sub> or V <sub>O</sub> = 5.5 V   |                                 | 10   |                                  | 10   | μA   |
| I <sub>CC</sub>  | Quiescent Supply Current              | 2.3 ≤ V <sub>CC</sub> ≤ 3.6 V; V <sub>I</sub> = GND or V <sub>CC</sub>  |                                 | 10   |                                  | 10   | μA   |
|                  |                                       | 2.3 ≤ V <sub>CC</sub> ≤ 3.6 V; 3.6 ≤ V <sub>I</sub> or V <sub>O</sub> ≤ 5.5 V                                   |                                 | ±10  |                                  | ±10  |      |
| ΔI <sub>CC</sub> | Increase in I <sub>CC</sub> per Input | 2.3 ≤ V <sub>CC</sub> ≤ 3.6 V; V <sub>IH</sub> = V <sub>CC</sub> - 0.6 V  |                                 | 500  |                                  | 500  | μA   |

2. These values of V<sub>I</sub> are used to test DC electrical characteristics only.

## AC CHARACTERISTICS t<sub>R</sub> = t<sub>F</sub> = 2.5 ns; R<sub>L</sub> = 500 Ω

| Symbol                                 | Parameter   | Waveform | Limits                           |     |                         |     |                                 |      | Unit |
|--|---|----------|----------------------------------|-----|-------------------------|-----|---------------------------------|------|------|
|  |   |          | T <sub>A</sub> = -55°C to +125°C |     |                         |     |                                 |      |      |
|  |   |          | V <sub>CC</sub> = 3.3 V ± 0.3 V  |     | V <sub>CC</sub> = 2.7 V |     | V <sub>CC</sub> = 2.5 V ± 0.2 V |      |      |
|  |   |          | C <sub>L</sub> = 50 pF           |     | C <sub>L</sub> = 50 pF  |     | C <sub>L</sub> = 30 pF          |      |      |
|  |   |          | Min                              | Max | Min                     | Max | Min                             | Max  |      |
| t <sub>PLH</sub><br>t <sub>PHL</sub>   | Propagation Delay<br>D <sub>n</sub> to O <sub>n</sub> | 1        | 1.5                              | 8.0 | 1.5                     | 9.0 | 1.5                             | 9.6  | ns   |
|  |   |          | 1.5                              | 8.0 | 1.5                     | 9.0 | 1.5                             | 9.6  |      |
| t <sub>PLH</sub><br>t <sub>PHL</sub>   | Propagation Delay<br>LE to O <sub>n</sub>             | 3        | 1.5                              | 8.5 | 1.5                     | 9.5 | 1.5                             | 10.5 | ns   |
|  |   |          | 1.5                              | 8.5 | 1.5                     | 9.5 | 1.5                             | 10.5 |      |
| t <sub>PZH</sub><br>t <sub>PZL</sub>   | Output Enable Time to HIGH<br>and LOW Level           | 2        | 1.5                              | 8.5 | 1.5                     | 9.5 | 1.5                             | 10.5 | ns   |
|  |   |          | 1.5                              | 8.5 | 1.5                     | 9.5 | 1.5                             | 10.5 |      |
| t <sub>PHZ</sub><br>t <sub>PLZ</sub>   | Output Disable Time From<br>High and Low Level        | 2        | 1.5                              | 6.5 | 1.5                     | 7.0 | 1.5                             | 7.8  | ns   |
|  |   |          | 1.5                              | 6.5 | 1.5                     | 7.0 | 1.5                             | 7.8  |      |
| t <sub>s</sub>                         | Setup Time, HIGH or LOW<br>D <sub>n</sub> to LE       | 3        | 2.5                              |     | 2.5                     |     | 4.0                             |      |      |
| t <sub>h</sub>                         | Hold Time, HIGH or LOW<br>D <sub>n</sub> to LE        | 3        | 1.5                              |     | 1.5                     |     | 2.0                             |      |      |
| t <sub>w</sub>                         | LE Pulse Width, HIGH                                  | 3        | 3.3                              |     | 3.3                     |     | 4.0                             |      |      |
| t <sub>OSHL</sub><br>t <sub>OSLH</sub> | Output-to-Output Skew<br>(Note 3)                     |          |                                  | 1.0 |                         |     |                                 | ns   |      |

3. Skew is defined as the absolute value of the difference between the actual propagation delay for any two separate outputs of the same device. The specification applies to any outputs switching in the same direction, either HIGH-to-LOW (t<sub>OSHL</sub>) or LOW-to-HIGH (t<sub>OSLH</sub>); parameter guaranteed by design.

# MC74LCX573

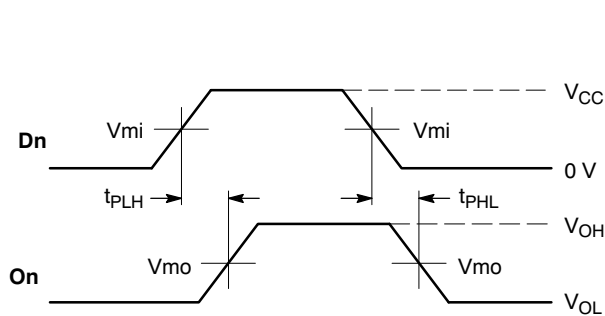
## DYNAMIC SWITCHING CHARACTERISTICS

| Symbol           | Characteristic                      | Condition  | T <sub>A</sub> = +25°C |              |     | Unit   |
|------------------|-------------------------------------|--|------------------------|--------------|-----|--------|
|                  |                                     |  | Min                    | Typ          | Max |        |
| V <sub>OLP</sub> | Dynamic LOW Peak Voltage (Note 4)   | V <sub>CC</sub> = 3.3 V, C <sub>L</sub> = 50 pF, V <sub>IH</sub> = 3.3 V, V <sub>IL</sub> = 0 V<br>V <sub>CC</sub> = 2.5 V, C <sub>L</sub> = 30 pF, V <sub>IH</sub> = 2.5 V, V <sub>IL</sub> = 0 V |                        | 0.8<br>0.6   |     | V<br>V |
| V <sub>OLV</sub> | Dynamic LOW Valley Voltage (Note 4) | V <sub>CC</sub> = 3.3 V, C <sub>L</sub> = 50 pF, V <sub>IH</sub> = 3.3 V, V <sub>IL</sub> = 0 V<br>V <sub>CC</sub> = 2.5 V, C <sub>L</sub> = 30 pF, V <sub>IH</sub> = 2.5 V, V <sub>IL</sub> = 0 V |                        | -0.8<br>-0.6 |     | V<br>V |

4. Number of outputs defined as "n". Measured with "n-1" outputs switching from HIGH-to-LOW or LOW-to-HIGH. The remaining output is measured in the LOW state.

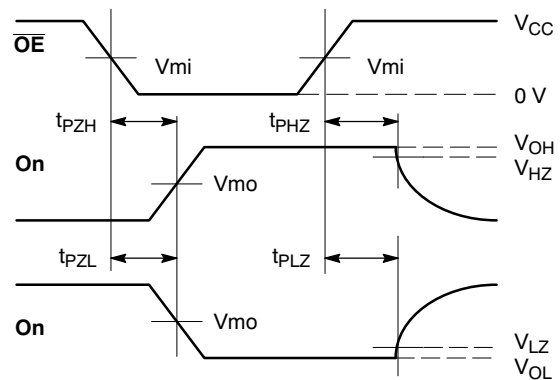
## CAPACITIVE CHARACTERISTICS

| Symbol           | Parameter                     | Condition  | Typical | Unit |
|------------------|-------------------------------|--|---------|------|
| C <sub>IN</sub>  | Input Capacitance             | V <sub>CC</sub> = 3.3 V, V <sub>I</sub> = 0 V or V <sub>CC</sub>         | 7       | pF   |
| C <sub>I/O</sub> | Input/Output Capacitance      | V <sub>CC</sub> = 3.3 V, V <sub>I</sub> = 0 V or V <sub>CC</sub>         | 8       | pF   |
| C <sub>PD</sub>  | Power Dissipation Capacitance | 10 MHz, V <sub>CC</sub> = 3.3 V, V <sub>I</sub> = 0 V or V <sub>CC</sub> | 25      | pF   |



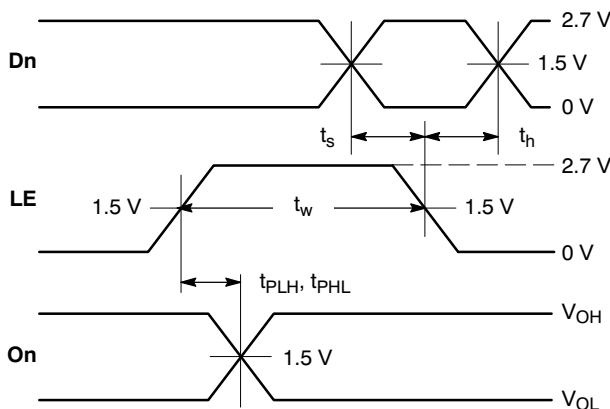
**WAVEFORM 1 - PROPAGATION DELAYS**

t<sub>R</sub> = t<sub>F</sub> = 2.5 ns, 10% to 90%; f = 1 MHz; t<sub>W</sub> = 500 ns



**WAVEFORM 2 - OUTPUT ENABLE AND DISABLE TIMES**

t<sub>R</sub> = t<sub>F</sub> = 2.5 ns, 10% to 90%; f = 1 MHz; t<sub>W</sub> = 500 ns



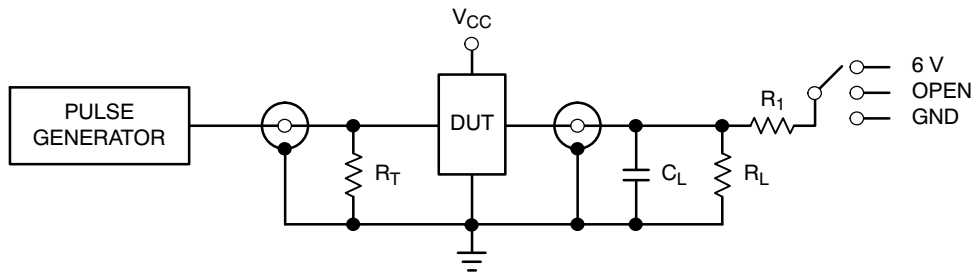
**WAVEFORM 3 - LE to On PROPAGATION DELAYS, LE MINIMUM PULSE WIDTH, Dn to LE SETUP AND HOLD TIMES**

t<sub>R</sub> = t<sub>F</sub> = 2.5 ns, 10% to 90%; f = 1 MHz; t<sub>W</sub> = 500 ns except when noted

| Symbol          | V <sub>CC</sub>         |                         |                          |
|-----------------|-------------------------|-------------------------|--------------------------|
|                 | 3.3 V ± 0.3 V           | 2.7 V                   | 2.5 V ± 0.2 V            |
| V <sub>mi</sub> | 1.5 V                   | 1.5 V                   | V <sub>CC</sub> /2       |
| V <sub>mo</sub> | 1.5 V                   | 1.5 V                   | V <sub>CC</sub> /2       |
| V <sub>hZ</sub> | V <sub>OL</sub> + 0.3 V | V <sub>OL</sub> + 0.3 V | V <sub>OL</sub> + 0.15 V |
| V <sub>lZ</sub> | V <sub>OL</sub> - 0.3 V | V <sub>OL</sub> - 0.3 V | V <sub>OL</sub> - 0.15 V |

**Figure 3. AC Waveforms**

# MC74LCX573



| TEST   | SWITCH   |
|--|--|
| $t_{PLH}$ , $t_{PHL}$                        | Open   |
| $t_{PZL}$ , $t_{PLZ}$                        | 6 V at $V_{CC} = 3.3 \pm 0.3$ V<br>6 V at $V_{CC} = 2.5 \pm 0.2$ V |
| Open Collector/Drain $t_{PLH}$ and $t_{PHL}$ | 6 V  |
| $t_{PZH}$ , $t_{PHZ}$                        | GND  |

$C_L = 50$  pF at  $V_{CC} = 3.3 \pm 0.3$  V or equivalent (includes jig and probe capacitance)

$C_L = 30$  pF at  $V_{CC} = 2.5 \pm 0.2$  V or equivalent (includes jig and probe capacitance)

$R_L = R_1 = 500 \Omega$  or equivalent

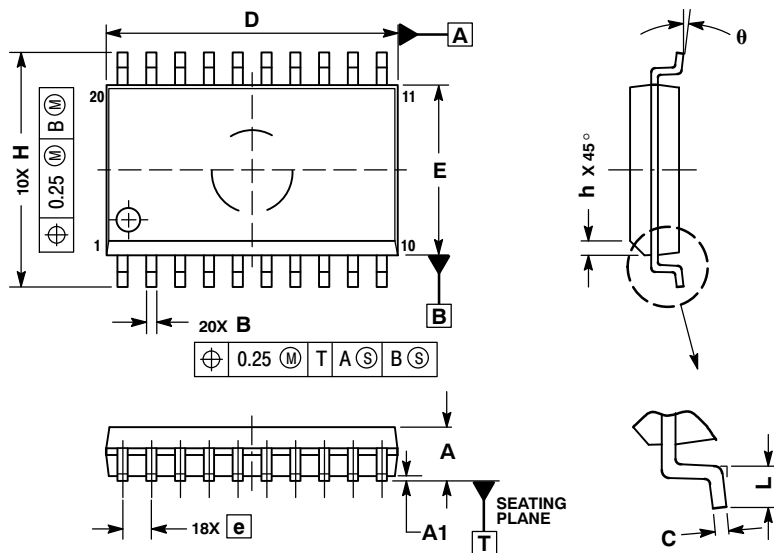
$R_T = Z_{OUT}$  of pulse generator (typically  $50 \Omega$ )

**Figure 4. Test Circuit**

# MC74LCX573

## PACKAGE DIMENSIONS

SO-20 WB  
CASE 751D-05  
ISSUE G



### NOTES:

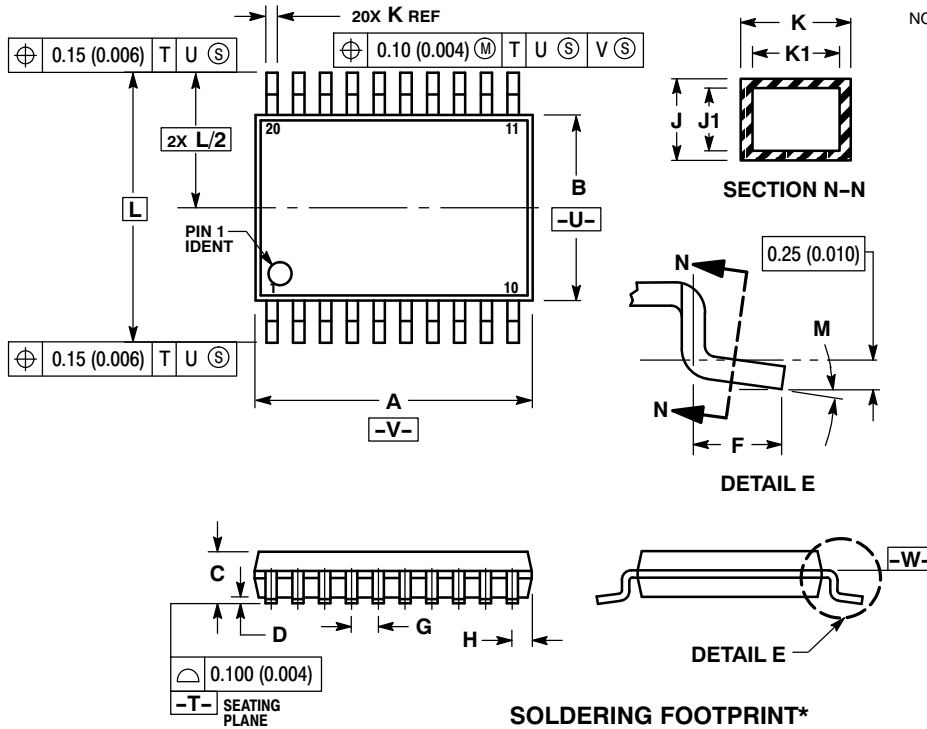
1. DIMENSIONS ARE IN MILLIMETERS.
2. INTERPRET DIMENSIONS AND TOLERANCES PER ASME Y14.5M, 1994.
3. DIMENSIONS D AND E DO NOT INCLUDE MOLD PROTRUSION.
4. MAXIMUM MOLD PROTRUSION 0.15 PER SIDE.
5. DIMENSION B DOES NOT INCLUDE DAMBAR PROTRUSION. ALLOWABLE PROTRUSION SHALL BE 0.13 TOTAL IN EXCESS OF B DIMENSION AT MAXIMUM MATERIAL CONDITION.

| DIM      | MILLIMETERS |           |
|----------|-------------|-----------|
|          | MIN         | MAX       |
| A        | 2.35        | 2.65      |
| A1       | 0.10        | 0.25      |
| B        | 0.35        | 0.49      |
| C        | 0.23        | 0.32      |
| D        | 12.65       | 12.95     |
| E        | 7.40        | 7.60      |
| e        | 1.27 BSC    |           |
| H        | 10.05       | 10.55     |
| h        | 0.25        | 0.75      |
| L        | 0.50        | 0.90      |
| $\theta$ | $0^\circ$   | $7^\circ$ |

# MC74LCX573

## PACKAGE DIMENSIONS

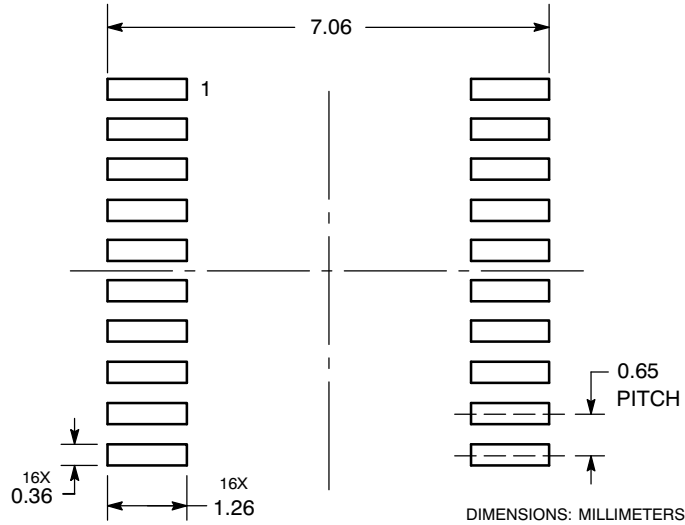
TSSOP-20  
CASE 948E-02  
ISSUE C



- NOTES:
1. DIMENSIONING AND TOLERANCING PER ANSI Y14.5M, 1982.
  2. CONTROLLING DIMENSION: MILLIMETER
  3. DIMENSION A DOES NOT INCLUDE MOLD FLASH, PROTRUSIONS OR GATE BURRS. MOLD FLASH OR GATE BURRS SHALL NOT EXCEED 0.15 (0.006) PER SIDE.
  4. DIMENSION B DOES NOT INCLUDE INTERLEAD FLASH OR PROTRUSION. INTERLEAD FLASH OR PROTRUSION SHALL NOT EXCEED 0.25 (0.010) PER SIDE.
  5. DIMENSION K DOES NOT INCLUDE DAMBAR PROTRUSION. ALLOWABLE DAMBAR PROTRUSION SHALL BE 0.08 (0.003) TOTAL IN EXCESS OF THE K DIMENSION AT MAXIMUM MATERIAL CONDITION.
  6. TERMINAL NUMBERS ARE SHOWN FOR REFERENCE ONLY.
  7. DIMENSION A AND B ARE TO BE DETERMINED AT DATUM PLANE -W-.

| DIM | MILLIMETERS |      | INCHES    |       |
|-----|-------------|------|-----------|-------|
|     | MIN         | MAX  | MIN       | MAX   |
| A   | 6.40        | 6.60 | 0.252     | 0.260 |
| B   | 4.30        | 4.50 | 0.169     | 0.177 |
| C   | ---         | 1.20 | ---       | 0.047 |
| D   | 0.05        | 0.15 | 0.002     | 0.006 |
| F   | 0.50        | 0.75 | 0.020     | 0.030 |
| G   | 0.65 BSC    |      | 0.026 BSC |       |
| H   | 0.27        | 0.37 | 0.011     | 0.015 |
| J   | 0.09        | 0.20 | 0.004     | 0.008 |
| J1  | 0.09        | 0.16 | 0.004     | 0.006 |
| K   | 0.19        | 0.30 | 0.007     | 0.012 |
| K1  | 0.19        | 0.25 | 0.007     | 0.010 |
| L   | 6.40 BSC    |      | 0.252 BSC |       |
| M   | 0°          | 8°   | 0°        | 8°    |

### SOLDERING FOOTPRINT\*



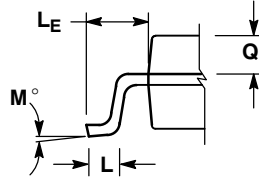
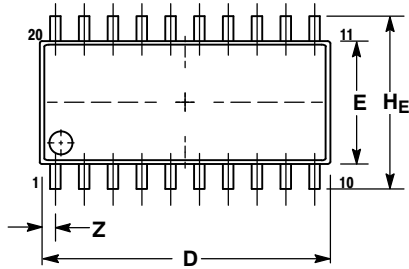
\*For additional information on our Pb-Free strategy and soldering details, please download the ON Semiconductor Soldering and Mounting Techniques Reference Manual, SOLDERRM/D.



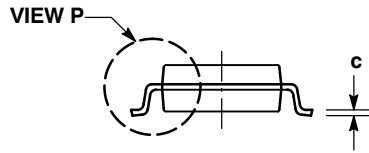
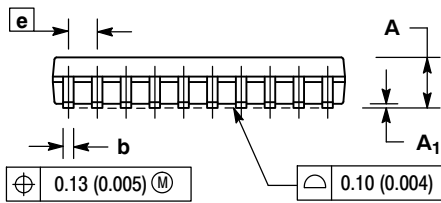
# MC74LCX573

## PACKAGE DIMENSIONS

SOEIAJ-20  
CASE 967-01  
ISSUE A



DETAIL P



NOTES:

1. DIMENSIONING AND TOLERANCING PER ANSI Y14.5M, 1982.
2. CONTROLLING DIMENSION: MILLIMETER.
3. DIMENSIONS D AND E DO NOT INCLUDE MOLD FLASH OR PROTRUSIONS AND ARE MEASURED AT THE PARTING LINE. MOLD FLASH OR PROTRUSIONS SHALL NOT EXCEED 0.15 (0.006) PER SIDE.
4. TERMINAL NUMBERS ARE SHOWN FOR REFERENCE ONLY.
5. THE LEAD WIDTH DIMENSION (b) DOES NOT INCLUDE DAMBAR PROTRUSION. ALLOWABLE DAMBAR PROTRUSION SHALL BE 0.08 (0.003) TOTAL IN EXCESS OF THE LEAD WIDTH DIMENSION AT MAXIMUM MATERIAL CONDITION. DAMBAR CANNOT BE LOCATED ON THE LOWER RADIUS OR THE FOOT. MINIMUM SPACE BETWEEN PROTRUSIONS AND ADJACENT LEAD TO BE 0.46 (0.018).

| DIM            | MILLIMETERS |       | INCHES    |       |
|----------------|-------------|-------|-----------|-------|
|                | MIN         | MAX   | MIN       | MAX   |
| A              | ---         | 2.05  | ---       | 0.081 |
| A <sub>1</sub> | 0.05        | 0.20  | 0.002     | 0.008 |
| b              | 0.35        | 0.50  | 0.014     | 0.020 |
| c              | 0.15        | 0.25  | 0.006     | 0.010 |
| D              | 12.35       | 12.80 | 0.486     | 0.504 |
| E              | 5.10        | 5.45  | 0.201     | 0.215 |
| e              | 1.27 BSC    |       | 0.050 BSC |       |
| HE             | 7.40        | 8.20  | 0.291     | 0.323 |
| L              | 0.50        | 0.85  | 0.020     | 0.033 |
| LE             | 1.10        | 1.50  | 0.043     | 0.059 |
| M              | 0°          | 10°   | 0°        | 10°   |
| Q <sub>1</sub> | 0.70        | 0.90  | 0.028     | 0.035 |
| Z              | ---         | 0.81  | ---       | 0.032 |

ON Semiconductor and are registered trademarks of Semiconductor Components Industries, LLC (SCILLC). SCILLC reserves the right to make changes without further notice to any products herein. SCILLC makes no warranty, representation or guarantee regarding the suitability of its products for any particular purpose, nor does SCILLC assume any liability arising out of the application or use of any product or circuit, and specifically disclaims any and all liability, including without limitation special, consequential or incidental damages. "Typical" parameters which may be provided in SCILLC data sheets and/or specifications can and do vary in different applications and actual performance may vary over time. All operating parameters, including "Typicals" must be validated for each customer application by customer's technical experts. SCILLC does not convey any license under its patent rights nor the rights of others. SCILLC products are not designed, intended, or authorized for use as components in systems intended for surgical implant into the body, or other applications intended to support or sustain life, or for any other application in which the failure of the SCILLC product could create a situation where personal injury or death may occur. Should Buyer purchase or use SCILLC products for any such unintended or unauthorized application, Buyer shall indemnify and hold SCILLC and its officers, employees, subsidiaries, affiliates, and distributors harmless against all claims, costs, damages, and expenses, and reasonable attorney fees arising out of, directly or indirectly, any claim of personal injury or death associated with such unintended or unauthorized use, even if such claim alleges that SCILLC was negligent regarding the design or manufacture of the part. SCILLC is an Equal Opportunity/Affirmative Action Employer. This literature is subject to all applicable copyright laws and is not for resale in any manner.

### PUBLICATION ORDERING INFORMATION

**LITERATURE FULFILLMENT:**  
Literature Distribution Center for ON Semiconductor  
P.O. Box 5163, Denver, Colorado 80217 USA  
**Phone:** 303-675-2175 or 800-344-3860 Toll Free USA/Canada  
**Fax:** 303-675-2176 or 800-344-3867 Toll Free USA/Canada  
**Email:** orderlit@onsemi.com

**N. American Technical Support:** 800-282-9855 Toll Free USA/Canada  
**Europe, Middle East and Africa Technical Support:**  
Phone: 421 33 790 2910  
**Japan Customer Focus Center**  
Phone: 81-3-5773-3850

**ON Semiconductor Website:** [www.onsemi.com](http://www.onsemi.com)  
**Order Literature:** <http://www.onsemi.com/orderlit>

For additional information, please contact your local Sales Representative

MC74LCX573/D