

# 74AUP1G97

Low-power configurable multiple function gate

Rev. 6 — 10 January 2011

Product data sheet

## 1. General description

---

The 74AUP1G97 provides configurable multiple functions. The output state is determined by eight patterns of 3-bit input. The user can choose the logic functions MUX, AND, OR, NAND, NOR, inverter and buffer. All inputs can be connected to  $V_{CC}$  or GND.

This device ensures a very low static and dynamic power consumption across the entire  $V_{CC}$  range from 0.8 V to 3.6 V.

This device is fully specified for partial power-down applications using  $I_{OFF}$ . The  $I_{OFF}$  circuitry disables the output, preventing the damaging backflow current through the device when it is powered down.

The 74AUP1G97 has Schmitt trigger inputs making it capable of transforming slowly changing input signals into sharply defined, jitter-free output signals.

The inputs switch at different points for positive and negative-going signals. The difference between the positive voltage  $V_{T+}$  and the negative voltage  $V_{T-}$  is defined as the input hysteresis voltage  $V_H$ .

## 2. Features and benefits

---

- Wide supply voltage range from 0.8 V to 3.6 V
- High noise immunity
- ESD protection:
  - ◆ HBM JESD22-A114F exceeds 5000 V
  - ◆ MM JESD22-A115-A exceeds 200 V
  - ◆ CDM JESD22-C101E exceeds 1000 V
- Low static power consumption;  $I_{CC} = 0.9 \mu\text{A}$  (maximum)
- Latch-up performance exceeds 100 mA per JESD 78 Class II
- Inputs accept voltages up to 3.6 V
- Low noise overshoot and undershoot < 10 % of  $V_{CC}$
- $I_{OFF}$  circuitry provides partial power-down mode operation
- Multiple package options
- Specified from  $-40 \text{ }^\circ\text{C}$  to  $+85 \text{ }^\circ\text{C}$  and  $-40 \text{ }^\circ\text{C}$  to  $+125 \text{ }^\circ\text{C}$



### 3. Ordering information

Table 1. Ordering information

| Type number | Package           |       |   | Version |
|-------------|-------------------|-------|---|---------|
|             | Temperature range | Name  | Description   |         |
| 74AUP1G97GW | -40 °C to +125 °C | SC-88 | plastic surface-mounted package; 6 leads  | SOT363  |
| 74AUP1G97GM | -40 °C to +125 °C | XSON6 | plastic extremely thin small outline package; no leads; 6 terminals; body 1 × 1.45 × 0.5 mm | SOT886  |
| 74AUP1G97GF | -40 °C to +125 °C | XSON6 | plastic extremely thin small outline package; no leads; 6 terminals; body 1 × 1 × 0.5 mm    | SOT891  |
| 74AUP1G97GN | -40 °C to +125 °C | XSON6 | extremely thin small outline package; no leads; 6 terminals; body 0.9 × 1.0 × 0.35 mm       | SOT1115 |
| 74AUP1G97GS | -40 °C to +125 °C | XSON6 | extremely thin small outline package; no leads; 6 terminals; body 1.0 × 1.0 × 0.35 mm       | SOT1202 |

### 4. Marking

Table 2. Marking

| Type number | Marking code <sup>[1]</sup> |
|-------------|-----------------------------|
| 74AUP1G97GW | aV                          |
| 74AUP1G97GM | aV                          |
| 74AUP1G97GF | aV                          |
| 74AUP1G97GN | aV                          |
| 74AUP1G97GS | aV                          |

[1] The pin 1 indicator is located on the lower left corner of the device, below the marking code.

### 5. Functional diagram

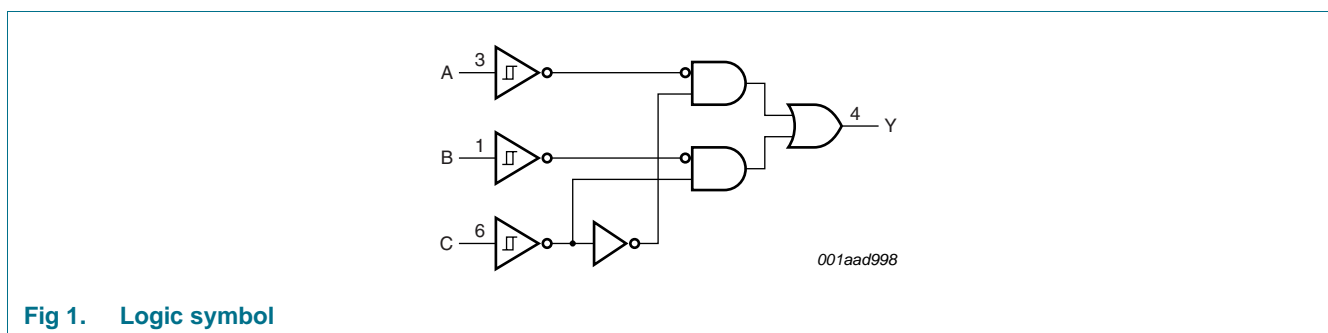
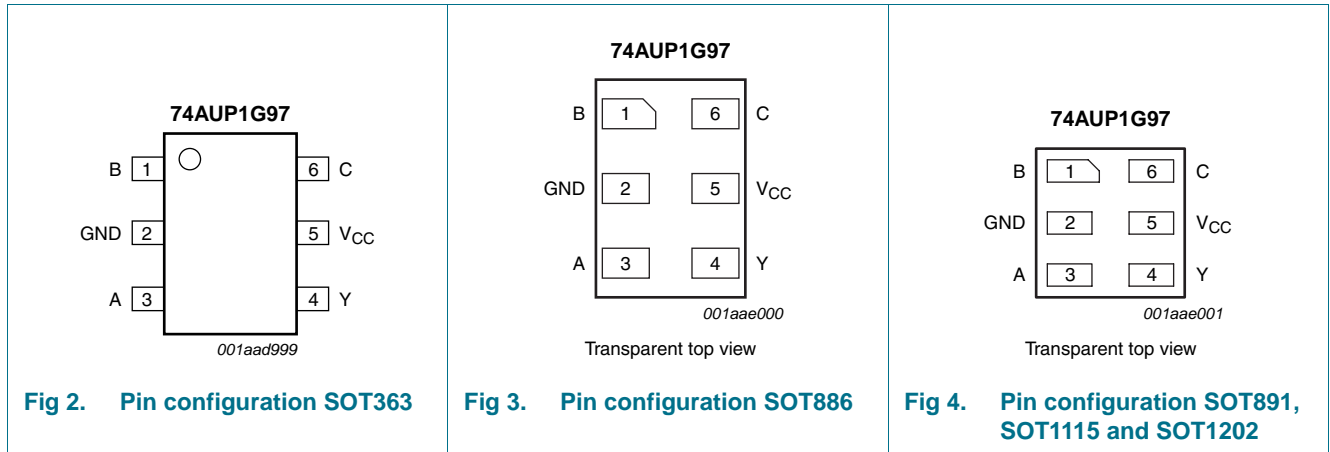


Fig 1. Logic symbol

## 6. Pinning information

### 6.1 Pinning



### 6.2 Pin description

Table 3. Pin description

| Symbol          | Pin | Description    |
|-----------------|-----|----------------|
| B               | 1   | data input     |
| GND             | 2   | ground (0 V)   |
| A               | 3   | data input     |
| Y               | 4   | data output    |
| V <sub>CC</sub> | 5   | supply voltage |
| C               | 6   | data input     |

## 7. Functional description

Table 4. Function table<sup>[1]</sup>

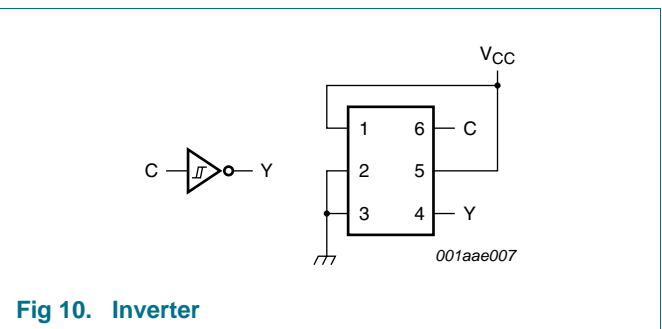
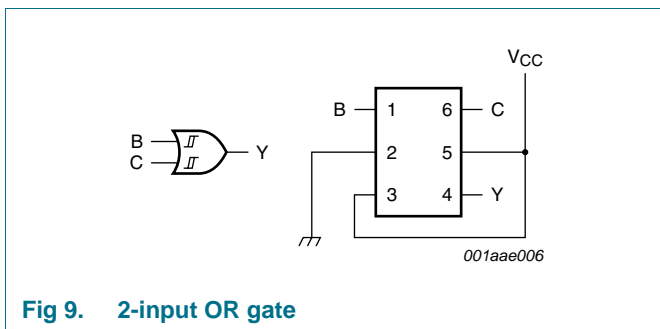
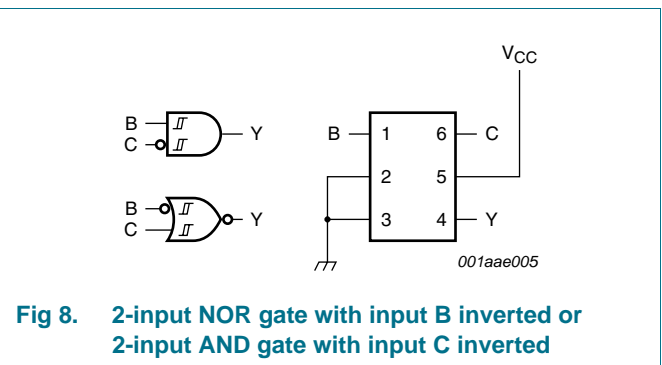
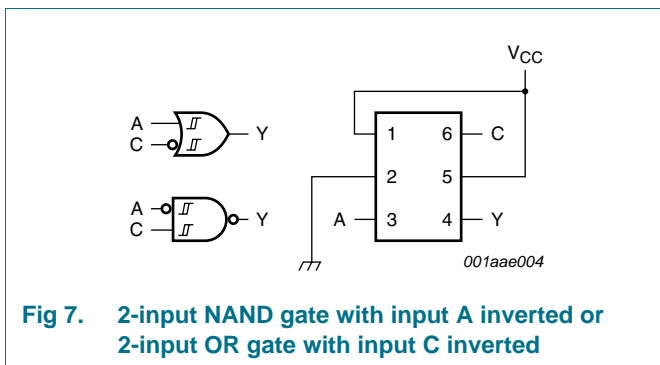
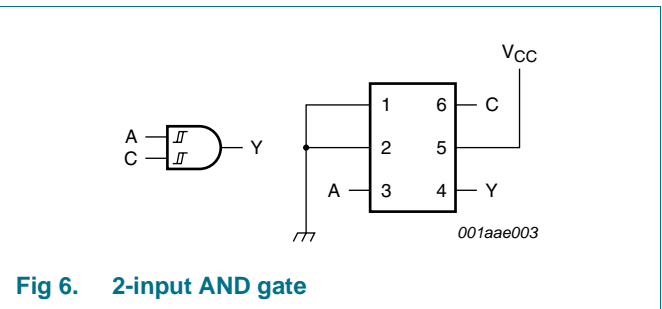
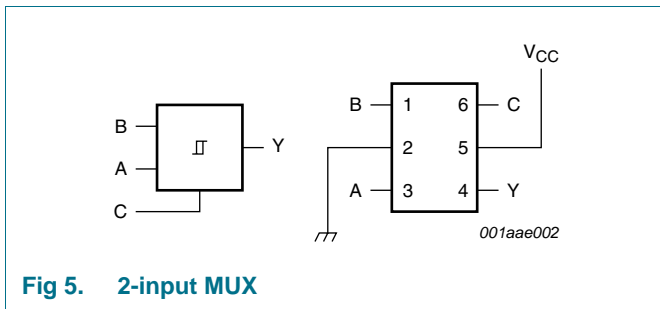
| Input |   |   | Output |
|-------|---|---|--------|
| C     | B | A | Y      |
| L     | L | L | L      |
| L     | L | H | L      |
| L     | H | L | H      |
| L     | H | H | H      |
| H     | L | L | L      |
| H     | L | H | H      |
| H     | H | L | L      |
| H     | H | H | H      |

[1] H = HIGH voltage level;  
L = LOW voltage level.

7.1 Logic configurations

Table 5. Function selection table

| Logic function                       | Figure                        |
|--------------------------------------|-------------------------------|
| 2-input MUX                          | see <a href="#">Figure 5</a>  |
| 2-input AND                          | see <a href="#">Figure 6</a>  |
| 2-input OR with one input inverted   | see <a href="#">Figure 7</a>  |
| 2-input NAND with one input inverted | see <a href="#">Figure 7</a>  |
| 2-input AND with one input inverted  | see <a href="#">Figure 8</a>  |
| 2-input NOR with one input inverted  | see <a href="#">Figure 8</a>  |
| 2-input OR                           | see <a href="#">Figure 9</a>  |
| Inverter                             | see <a href="#">Figure 10</a> |
| Buffer                               | see <a href="#">Figure 11</a> |



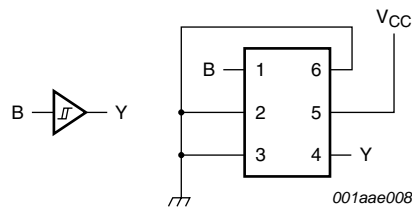


Fig 11. Buffer

## 8. Limiting values

Table 6. Limiting values

In accordance with the Absolute Maximum Rating System (IEC 60134). Voltages are referenced to GND (ground = 0 V).

| Symbol    | Parameter               | Conditions  | Min      | Max      | Unit               |
|-----------|-------------------------|---|----------|----------|--------------------|
| $V_{CC}$  | supply voltage          |   | -0.5     | +4.6     | V                  |
| $I_{IK}$  | input clamping current  | $V_I < 0\text{ V}$  | -50      | -        | mA                 |
| $V_I$     | input voltage           |   | [1] -0.5 | +4.6     | V                  |
| $I_{OK}$  | output clamping current | $V_O < 0\text{ V}$  | -50      | -        | mA                 |
| $V_O$     | output voltage          | Active mode and Power-down mode   | [1] -0.5 | +4.6     | V                  |
| $I_O$     | output current          | $V_O = 0\text{ V to }V_{CC}$  | -        | $\pm 20$ | mA                 |
| $I_{CC}$  | supply current          |   | -        | 50       | mA                 |
| $I_{GND}$ | ground current          |   | -50      | -        | mA                 |
| $T_{stg}$ | storage temperature     |   | -65      | +150     | $^{\circ}\text{C}$ |
| $P_{tot}$ | total power dissipation | $T_{amb} = -40\text{ }^{\circ}\text{C to }+125\text{ }^{\circ}\text{C}$ | [2] -    | 250      | mW                 |

[1] The minimum input and output voltage ratings may be exceeded if the input and output current ratings are observed.

[2] For SC-88 packages: above 87.5  $^{\circ}\text{C}$  the value of  $P_{tot}$  derates linearly with 4.0 mW/K.  
 For XSON6 packages: above 118  $^{\circ}\text{C}$  the value of  $P_{tot}$  derates linearly with 7.8 mW/K.

## 9. Recommended operating conditions

Table 7. Recommended operating conditions

| Symbol    | Parameter           | Conditions                             | Min | Max      | Unit               |
|-----------|---------------------|--|-----|----------|--------------------|
| $V_{CC}$  | supply voltage      |  | 0.8 | 3.6      | V                  |
| $V_I$     | input voltage       |  | 0   | 3.6      | V                  |
| $V_O$     | output voltage      | Active mode                            | 0   | $V_{CC}$ | V                  |
|           |                     | Power-down mode; $V_{CC} = 0\text{ V}$ | 0   | 3.6      | V                  |
| $T_{amb}$ | ambient temperature |  | -40 | +125     | $^{\circ}\text{C}$ |

## 10. Static characteristics

**Table 8. Static characteristics**

At recommended operating conditions; voltages are referenced to GND (ground = 0 V).

| Symbol                                    | Parameter                            | Conditions   | Min                   | Typ | Max                | Unit |
|---|--------------------------------------|--|-----------------------|-----|--------------------|------|
| <b>T<sub>amb</sub> = 25 °C</b>            |                                      |  |                       |     |                    |      |
| V <sub>OH</sub>                           | HIGH-level output voltage            | V <sub>I</sub> = V <sub>T+</sub> or V <sub>T-</sub>  |                       |     |                    |      |
|   |                                      | I <sub>O</sub> = -20 μA; V <sub>CC</sub> = 0.8 V to 3.6 V  | V <sub>CC</sub> - 0.1 | -   | -                  | V    |
|   |                                      | I <sub>O</sub> = -1.1 mA; V <sub>CC</sub> = 1.1 V  | 0.75V <sub>CC</sub>   | -   | -                  | V    |
|   |                                      | I <sub>O</sub> = -1.7 mA; V <sub>CC</sub> = 1.4 V  | 1.11                  | -   | -                  | V    |
|   |                                      | I <sub>O</sub> = -1.9 mA; V <sub>CC</sub> = 1.65 V   | 1.32                  | -   | -                  | V    |
|   |                                      | I <sub>O</sub> = -2.3 mA; V <sub>CC</sub> = 2.3 V  | 2.05                  | -   | -                  | V    |
|   |                                      | I <sub>O</sub> = -3.1 mA; V <sub>CC</sub> = 2.3 V  | 1.9                   | -   | -                  | V    |
|   |                                      | I <sub>O</sub> = -2.7 mA; V <sub>CC</sub> = 3.0 V  | 2.72                  | -   | -                  | V    |
|   |                                      | I <sub>O</sub> = -4.0 mA; V <sub>CC</sub> = 3.0 V  | 2.6                   | -   | -                  | V    |
| V <sub>OL</sub>                           | LOW-level output voltage             | V <sub>I</sub> = V <sub>T+</sub> or V <sub>T-</sub>  |                       |     |                    |      |
|   |                                      | I <sub>O</sub> = 20 μA; V <sub>CC</sub> = 0.8 V to 3.6 V   | -                     | -   | 0.1                | V    |
|   |                                      | I <sub>O</sub> = 1.1 mA; V <sub>CC</sub> = 1.1 V   | -                     | -   | 0.3V <sub>CC</sub> | V    |
|   |                                      | I <sub>O</sub> = 1.7 mA; V <sub>CC</sub> = 1.4 V   | -                     | -   | 0.31               | V    |
|   |                                      | I <sub>O</sub> = 1.9 mA; V <sub>CC</sub> = 1.65 V  | -                     | -   | 0.31               | V    |
|   |                                      | I <sub>O</sub> = 2.3 mA; V <sub>CC</sub> = 2.3 V   | -                     | -   | 0.31               | V    |
|   |                                      | I <sub>O</sub> = 3.1 mA; V <sub>CC</sub> = 2.3 V   | -                     | -   | 0.44               | V    |
|   |                                      | I <sub>O</sub> = 2.7 mA; V <sub>CC</sub> = 3.0 V   | -                     | -   | 0.31               | V    |
|   |                                      | I <sub>O</sub> = 4.0 mA; V <sub>CC</sub> = 3.0 V   | -                     | -   | 0.44               | V    |
| I <sub>I</sub>                            | input leakage current                | V <sub>I</sub> = GND to 3.6 V; V <sub>CC</sub> = 0 V to 3.6 V                                    | -                     | -   | ±0.1               | μA   |
| I <sub>OFF</sub>                          | power-off leakage current            | V <sub>I</sub> or V <sub>O</sub> = 0 V to 3.6 V; V <sub>CC</sub> = 0 V                           | -                     | -   | ±0.2               | μA   |
| ΔI <sub>OFF</sub>                         | additional power-off leakage current | V <sub>I</sub> or V <sub>O</sub> = 0 V to 3.6 V; V <sub>CC</sub> = 0 V to 0.2 V                  | -                     | -   | ±0.2               | μA   |
| I <sub>CC</sub>                           | supply current                       | V <sub>I</sub> = GND or V <sub>CC</sub> ; I <sub>O</sub> = 0 A; V <sub>CC</sub> = 0.8 V to 3.6 V | -                     | -   | 0.5                | μA   |
| ΔI <sub>CC</sub>                          | additional supply current            | V <sub>I</sub> = V <sub>CC</sub> - 0.6 V; I <sub>O</sub> = 0 A; V <sub>CC</sub> = 3.3 V          | <a href="#">[1]</a> - | -   | 40                 | μA   |
| C <sub>I</sub>                            | input capacitance                    | V <sub>CC</sub> = 0 V to 3.6 V; V <sub>I</sub> = GND or V <sub>CC</sub>                          | -                     | 1.1 | -                  | pF   |
| C <sub>O</sub>                            | output capacitance                   | V <sub>O</sub> = GND; V <sub>CC</sub> = 0 V  | -                     | 1.7 | -                  | pF   |
| <b>T<sub>amb</sub> = -40 °C to +85 °C</b> |                                      |  |                       |     |                    |      |
| V <sub>OH</sub>                           | HIGH-level output voltage            | V <sub>I</sub> = V <sub>T+</sub> or V <sub>T-</sub>  |                       |     |                    |      |
|   |                                      | I <sub>O</sub> = -20 μA; V <sub>CC</sub> = 0.8 V to 3.6 V  | V <sub>CC</sub> - 0.1 | -   | -                  | V    |
|   |                                      | I <sub>O</sub> = -1.1 mA; V <sub>CC</sub> = 1.1 V  | 0.7V <sub>CC</sub>    | -   | -                  | V    |
|   |                                      | I <sub>O</sub> = -1.7 mA; V <sub>CC</sub> = 1.4 V  | 1.03                  | -   | -                  | V    |
|   |                                      | I <sub>O</sub> = -1.9 mA; V <sub>CC</sub> = 1.65 V   | 1.30                  | -   | -                  | V    |
|   |                                      | I <sub>O</sub> = -2.3 mA; V <sub>CC</sub> = 2.3 V  | 1.97                  | -   | -                  | V    |
|   |                                      | I <sub>O</sub> = -3.1 mA; V <sub>CC</sub> = 2.3 V  | 1.85                  | -   | -                  | V    |
|   |                                      | I <sub>O</sub> = -2.7 mA; V <sub>CC</sub> = 3.0 V  | 2.67                  | -   | -                  | V    |
|   |                                      | I <sub>O</sub> = -4.0 mA; V <sub>CC</sub> = 3.0 V  | 2.55                  | -   | -                  | V    |

**Table 8. Static characteristics ...continued**

At recommended operating conditions; voltages are referenced to GND (ground = 0 V).

| Symbol  | Parameter                            | Conditions   | Min                    | Typ | Max                 | Unit |
|---|--------------------------------------|--|------------------------|-----|---------------------|------|
| V <sub>OL</sub>                                   | LOW-level output voltage             | V <sub>I</sub> = V <sub>T+</sub> or V <sub>T-</sub>  |                        |     |                     |      |
|   |                                      | I <sub>O</sub> = 20 μA; V <sub>CC</sub> = 0.8 V to 3.6 V   | -                      | -   | 0.1                 | V    |
|   |                                      | I <sub>O</sub> = 1.1 mA; V <sub>CC</sub> = 1.1 V   | -                      | -   | 0.3V <sub>CC</sub>  | V    |
|   |                                      | I <sub>O</sub> = 1.7 mA; V <sub>CC</sub> = 1.4 V   | -                      | -   | 0.37                | V    |
|   |                                      | I <sub>O</sub> = 1.9 mA; V <sub>CC</sub> = 1.65 V  | -                      | -   | 0.35                | V    |
|   |                                      | I <sub>O</sub> = 2.3 mA; V <sub>CC</sub> = 2.3 V   | -                      | -   | 0.33                | V    |
|   |                                      | I <sub>O</sub> = 3.1 mA; V <sub>CC</sub> = 2.3 V   | -                      | -   | 0.45                | V    |
|   |                                      | I <sub>O</sub> = 2.7 mA; V <sub>CC</sub> = 3.0 V   | -                      | -   | 0.33                | V    |
| I <sub>O</sub> = 4.0 mA; V <sub>CC</sub> = 3.0 V  | -                                    | -  | 0.45                   | V   |                     |      |
| I <sub>I</sub>                                    | input leakage current                | V <sub>I</sub> = GND to 3.6 V; V <sub>CC</sub> = 0 V to 3.6 V                                    | -                      | -   | ±0.5                | μA   |
| I <sub>OFF</sub>                                  | power-off leakage current            | V <sub>I</sub> or V <sub>O</sub> = 0 V to 3.6 V; V <sub>CC</sub> = 0 V                           | -                      | -   | ±0.5                | μA   |
| ΔI <sub>OFF</sub>                                 | additional power-off leakage current | V <sub>I</sub> or V <sub>O</sub> = 0 V to 3.6 V; V <sub>CC</sub> = 0 V to 0.2 V                  | -                      | -   | ±0.6                | μA   |
| I <sub>CC</sub>                                   | supply current                       | V <sub>I</sub> = GND or V <sub>CC</sub> ; I <sub>O</sub> = 0 A; V <sub>CC</sub> = 0.8 V to 3.6 V | -                      | -   | 0.9                 | μA   |
| ΔI <sub>CC</sub>                                  | additional supply current            | V <sub>I</sub> = V <sub>CC</sub> - 0.6 V; I <sub>O</sub> = 0 A; V <sub>CC</sub> = 3.3 V          | <a href="#">[1]</a> -  | -   | 50                  | μA   |
| <b>T<sub>amb</sub> = -40 °C to +125 °C</b>        |                                      |  |                        |     |                     |      |
| V <sub>OH</sub>                                   | HIGH-level output voltage            | V <sub>I</sub> = V <sub>T+</sub> or V <sub>T-</sub>  |                        |     |                     |      |
|   |                                      | I <sub>O</sub> = -20 μA; V <sub>CC</sub> = 0.8 V to 3.6 V  | V <sub>CC</sub> - 0.11 | -   | -                   | V    |
|   |                                      | I <sub>O</sub> = -1.1 mA; V <sub>CC</sub> = 1.1 V  | 0.6V <sub>CC</sub>     | -   | -                   | V    |
|   |                                      | I <sub>O</sub> = -1.7 mA; V <sub>CC</sub> = 1.4 V  | 0.93                   | -   | -                   | V    |
|   |                                      | I <sub>O</sub> = -1.9 mA; V <sub>CC</sub> = 1.65 V   | 1.17                   | -   | -                   | V    |
|   |                                      | I <sub>O</sub> = -2.3 mA; V <sub>CC</sub> = 2.3 V  | 1.77                   | -   | -                   | V    |
|   |                                      | I <sub>O</sub> = -3.1 mA; V <sub>CC</sub> = 2.3 V  | 1.67                   | -   | -                   | V    |
|   |                                      | I <sub>O</sub> = -2.7 mA; V <sub>CC</sub> = 3.0 V  | 2.40                   | -   | -                   | V    |
| I <sub>O</sub> = -4.0 mA; V <sub>CC</sub> = 3.0 V | 2.30                                 | -  | -                      | V   |                     |      |
| V <sub>OL</sub>                                   | LOW-level output voltage             | V <sub>I</sub> = V <sub>T+</sub> or V <sub>T-</sub>  |                        |     |                     |      |
|   |                                      | I <sub>O</sub> = 20 μA; V <sub>CC</sub> = 0.8 V to 3.6 V   | -                      | -   | 0.11                | V    |
|   |                                      | I <sub>O</sub> = 1.1 mA; V <sub>CC</sub> = 1.1 V   | -                      | -   | 0.33V <sub>CC</sub> | V    |
|   |                                      | I <sub>O</sub> = 1.7 mA; V <sub>CC</sub> = 1.4 V   | -                      | -   | 0.41                | V    |
|   |                                      | I <sub>O</sub> = 1.9 mA; V <sub>CC</sub> = 1.65 V  | -                      | -   | 0.39                | V    |
|   |                                      | I <sub>O</sub> = 2.3 mA; V <sub>CC</sub> = 2.3 V   | -                      | -   | 0.36                | V    |
|   |                                      | I <sub>O</sub> = 3.1 mA; V <sub>CC</sub> = 2.3 V   | -                      | -   | 0.50                | V    |
|   |                                      | I <sub>O</sub> = 2.7 mA; V <sub>CC</sub> = 3.0 V   | -                      | -   | 0.36                | V    |
| I <sub>O</sub> = 4.0 mA; V <sub>CC</sub> = 3.0 V  | -                                    | -  | 0.50                   | V   |                     |      |
| I <sub>I</sub>                                    | input leakage current                | V <sub>I</sub> = GND to 3.6 V; V <sub>CC</sub> = 0 V to 3.6 V                                    | -                      | -   | ±0.75               | μA   |
| I <sub>OFF</sub>                                  | power-off leakage current            | V <sub>I</sub> or V <sub>O</sub> = 0 V to 3.6 V; V <sub>CC</sub> = 0 V                           | -                      | -   | ±0.75               | μA   |

**Table 8. Static characteristics ...continued**

At recommended operating conditions; voltages are referenced to GND (ground = 0 V).

| Symbol           | Parameter                            | Conditions   | Min | Typ | Max        | Unit          |
|------------------|--------------------------------------|--|-----|-----|------------|---------------|
| $\Delta I_{OFF}$ | additional power-off leakage current | $V_I$ or $V_O = 0\text{ V to }3.6\text{ V}$ ;<br>$V_{CC} = 0\text{ V to }0.2\text{ V}$         | -   | -   | $\pm 0.75$ | $\mu\text{A}$ |
| $I_{CC}$         | supply current                       | $V_I = \text{GND or }V_{CC}$ ; $I_O = 0\text{ A}$ ;<br>$V_{CC} = 0.8\text{ V to }3.6\text{ V}$ | -   | -   | 1.4        | $\mu\text{A}$ |
| $\Delta I_{CC}$  | additional supply current            | $V_I = V_{CC} - 0.6\text{ V}$ ; $I_O = 0\text{ A}$ ;<br>$V_{CC} = 3.3\text{ V}$                | [1] | -   | 75         | $\mu\text{A}$ |

[1] One input at  $V_{CC} - 0.6\text{ V}$ , other input at  $V_{CC}$  or GND.

## 11. Dynamic characteristics

**Table 9. Dynamic characteristics**

Voltages are referenced to GND (ground = 0 V); for test circuit see [Figure 13](#).

| Symbol | Parameter | Conditions | 25 °C |        |     | -40 °C to +125 °C |             |              | Unit |
|--------|-----------|------------|-------|--------|-----|-------------------|-------------|--------------|------|
|        |           |            | Min   | Typ[1] | Max | Min               | Max (85 °C) | Max (125 °C) |      |

**$C_L = 5\text{ pF}$**

|          |                   |   |     |      |      |     |      |      |    |
|----------|-------------------|---|-----|------|------|-----|------|------|----|
| $t_{pd}$ | propagation delay | A, B, C to Y; see <a href="#">Figure 12</a> | [2] |      |      |     |      |      |    |
|          |                   | $V_{CC} = 0.8\text{ V}$                     | -   | 23.0 | -    | -   | -    | -    | ns |
|          |                   | $V_{CC} = 1.1\text{ V to }1.3\text{ V}$     | 2.8 | 6.6  | 12.6 | 2.5 | 13.0 | 13.2 | ns |
|          |                   | $V_{CC} = 1.4\text{ V to }1.6\text{ V}$     | 2.3 | 4.7  | 7.6  | 2.5 | 8.2  | 8.6  | ns |
|          |                   | $V_{CC} = 1.65\text{ V to }1.95\text{ V}$   | 2.2 | 3.9  | 6.2  | 2.0 | 6.8  | 7.2  | ns |
|          |                   | $V_{CC} = 2.3\text{ V to }2.7\text{ V}$     | 2.0 | 3.2  | 4.5  | 1.7 | 5.1  | 5.3  | ns |
|          |                   | $V_{CC} = 3.0\text{ V to }3.6\text{ V}$     | 1.9 | 2.9  | 3.9  | 1.5 | 4.1  | 4.3  | ns |

**$C_L = 10\text{ pF}$**

|          |                   |   |     |      |      |     |      |      |    |
|----------|-------------------|---|-----|------|------|-----|------|------|----|
| $t_{pd}$ | propagation delay | A, B, C to Y; see <a href="#">Figure 12</a> | [2] |      |      |     |      |      |    |
|          |                   | $V_{CC} = 0.8\text{ V}$                     | -   | 26.6 | -    | -   | -    | -    | ns |
|          |                   | $V_{CC} = 1.1\text{ V to }1.3\text{ V}$     | 3.2 | 7.4  | 14.3 | 2.9 | 14.9 | 15.2 | ns |
|          |                   | $V_{CC} = 1.4\text{ V to }1.6\text{ V}$     | 2.6 | 5.3  | 8.7  | 2.8 | 9.4  | 9.8  | ns |
|          |                   | $V_{CC} = 1.65\text{ V to }1.95\text{ V}$   | 2.5 | 4.5  | 7.0  | 2.3 | 7.8  | 8.2  | ns |
|          |                   | $V_{CC} = 2.3\text{ V to }2.7\text{ V}$     | 2.4 | 3.7  | 5.2  | 2.1 | 5.9  | 6.1  | ns |
|          |                   | $V_{CC} = 3.0\text{ V to }3.6\text{ V}$     | 2.3 | 3.4  | 4.6  | 1.9 | 4.9  | 5.1  | ns |

**$C_L = 15\text{ pF}$**

|          |                   |   |     |      |      |     |      |      |    |
|----------|-------------------|---|-----|------|------|-----|------|------|----|
| $t_{pd}$ | propagation delay | A, B, C to Y; see <a href="#">Figure 12</a> | [2] |      |      |     |      |      |    |
|          |                   | $V_{CC} = 0.8\text{ V}$                     | -   | 30.1 | -    | -   | -    | -    | ns |
|          |                   | $V_{CC} = 1.1\text{ V to }1.3\text{ V}$     | 3.6 | 8.2  | 16.0 | 3.2 | 16.7 | 17.0 | ns |
|          |                   | $V_{CC} = 1.4\text{ V to }1.6\text{ V}$     | 2.9 | 5.9  | 9.6  | 3.1 | 10.4 | 10.9 | ns |
|          |                   | $V_{CC} = 1.65\text{ V to }1.95\text{ V}$   | 2.8 | 5.0  | 7.8  | 2.5 | 8.7  | 9.1  | ns |
|          |                   | $V_{CC} = 2.3\text{ V to }2.7\text{ V}$     | 2.7 | 4.2  | 5.8  | 2.4 | 6.5  | 6.9  | ns |
|          |                   | $V_{CC} = 3.0\text{ V to }3.6\text{ V}$     | 2.5 | 3.8  | 5.1  | 2.2 | 5.5  | 5.7  | ns |



**Table 9. Dynamic characteristics ...continued**

Voltages are referenced to GND (ground = 0 V); for test circuit see [Figure 13](#).

| Symbol  | Parameter                     | Conditions  | 25 °C               |                    |      | -40 °C to +125 °C |             |              | Unit |
|---|-------------------------------|---|---------------------|--------------------|------|-------------------|-------------|--------------|------|
|   |                               |   | Min                 | Typ <sup>[1]</sup> | Max  | Min               | Max (85 °C) | Max (125 °C) |      |
| <b>C<sub>L</sub> = 30 pF</b>                        |                               |   |                     |                    |      |                   |             |              |      |
| t <sub>pd</sub>                                     | propagation delay             | A, B, C to Y; see <a href="#">Figure 12</a>                     | <a href="#">[2]</a> |                    |      |                   |             |              |      |
|   |                               | V <sub>CC</sub> = 0.8 V   | -                   | 38.3               | -    | -                 | -           | -            | ns   |
|   |                               | V <sub>CC</sub> = 1.1 V to 1.3 V                                | 4.6                 | 10.5               | 20.9 | 4.0               | 21.8        | 22.2         | ns   |
|   |                               | V <sub>CC</sub> = 1.4 V to 1.6 V                                | 3.7                 | 7.4                | 12.2 | 3.8               | 13.3        | 14.0         | ns   |
|   |                               | V <sub>CC</sub> = 1.65 V to 1.95 V                              | 3.5                 | 6.3                | 9.9  | 3.2               | 11.1        | 11.8         | ns   |
|   |                               | V <sub>CC</sub> = 2.3 V to 2.7 V                                | 3.4                 | 5.3                | 7.4  | 3.1               | 8.3         | 8.8          | ns   |
|   |                               | V <sub>CC</sub> = 3.0 V to 3.6 V                                | 3.2                 | 4.9                | 6.6  | 2.8               | 7.0         | 7.4          | ns   |
| <b>C<sub>L</sub> = 5 pF, 10 pF, 15 pF and 30 pF</b> |                               |   |                     |                    |      |                   |             |              |      |
| C <sub>PD</sub>                                     | power dissipation capacitance | f <sub>i</sub> = 1 MHz; V <sub>I</sub> = GND to V <sub>CC</sub> | <a href="#">[3]</a> |                    |      |                   |             |              |      |
|   |                               | V <sub>CC</sub> = 0.8 V   | -                   | 2.6                | -    | -                 | -           | -            | pF   |
|   |                               | V <sub>CC</sub> = 1.1 V to 1.3 V                                | -                   | 2.8                | -    | -                 | -           | -            | pF   |
|   |                               | V <sub>CC</sub> = 1.4 V to 1.6 V                                | -                   | 2.9                | -    | -                 | -           | -            | pF   |
|   |                               | V <sub>CC</sub> = 1.65 V to 1.95 V                              | -                   | 3.1                | -    | -                 | -           | -            | pF   |
|   |                               | V <sub>CC</sub> = 2.3 V to 2.7 V                                | -                   | 3.7                | -    | -                 | -           | -            | pF   |
|   |                               | V <sub>CC</sub> = 3.0 V to 3.6 V                                | -                   | 4.3                | -    | -                 | -           | -            | pF   |

[1] All typical values are measured at nominal V<sub>CC</sub>.

[2] t<sub>pd</sub> is the same as t<sub>PLH</sub> and t<sub>PHL</sub>

[3] C<sub>PD</sub> is used to determine the dynamic power dissipation (P<sub>D</sub> in μW).

$$P_D = C_{PD} \times V_{CC}^2 \times f_i \times N + \Sigma(C_L \times V_{CC}^2 \times f_o) \text{ where:}$$

f<sub>i</sub> = input frequency in MHz;

f<sub>o</sub> = output frequency in MHz;

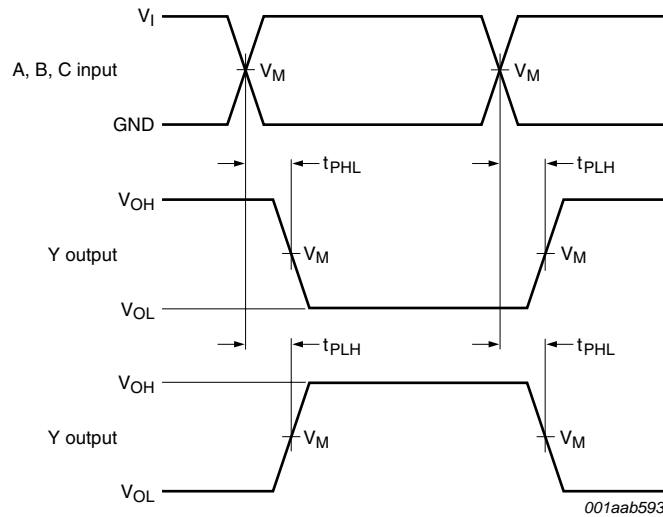
C<sub>L</sub> = output load capacitance in pF;

V<sub>CC</sub> = supply voltage in V;

N = number of inputs switching;

Σ(C<sub>L</sub> × V<sub>CC</sub><sup>2</sup> × f<sub>o</sub>) = sum of the outputs.

12. Waveforms



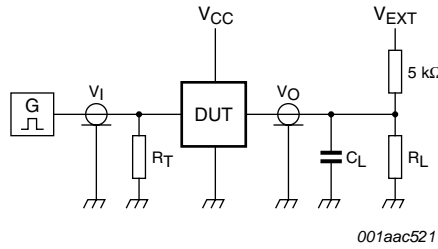
Measurement points are given in [Table 10](#).

$V_{OL}$  and  $V_{OH}$  are typical output voltage drop that occur with the output load.

Fig 12. Input A, B and C to output Y propagation delay times

Table 10. Measurement points

| Supply voltage | Output      | Input       |          |               |
|----------------|-------------|-------------|----------|---------------|
| $V_{CC}$       | $V_M$       | $V_M$       | $V_I$    | $t_r = t_f$   |
| 0.8 V to 3.6 V | $0.5V_{CC}$ | $0.5V_{CC}$ | $V_{CC}$ | $\leq 3.0$ ns |



Test data is given in [Table 11](#).

Definitions for test circuit:

$R_L$  = Load resistance.

$C_L$  = Load capacitance including jig and probe capacitance.

$R_T$  = Termination resistance should be equal to the output impedance  $Z_o$  of the pulse generator.

$V_{EXT}$  = External voltage for measuring switching times.

**Fig 13. Test circuit for measuring switching times**

**Table 11. Test data**

| Supply voltage | Load                         |              | $V_{EXT}$             |                       |                       |
|----------------|------------------------------|--------------|-----------------------|-----------------------|-----------------------|
| $V_{CC}$       | $C_L$                        | $R_L$ [1]    | $t_{PLH}$ , $t_{PHL}$ | $t_{PZH}$ , $t_{PHZ}$ | $t_{PZL}$ , $t_{PLZ}$ |
| 0.8 V to 3.6 V | 5 pF, 10 pF, 15 pF and 30 pF | 5 kΩ or 1 MΩ | open                  | GND                   | $2V_{CC}$             |

[1] For measuring enable and disable times  $R_L = 5\text{ k}\Omega$ , for measuring propagation delays, setup and hold times and pulse width  $R_L = 1\text{ M}\Omega$ .

### 13. Transfer characteristics

**Table 12. Transfer characteristics**

Voltages are referenced to GND (ground = 0 V; for test circuit see [Figure 13](#)).

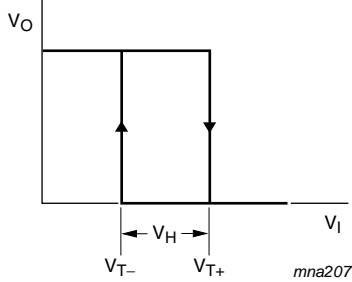
| Symbol   | Parameter                        | Conditions  | 25 °C |      |      | -40 °C to +125 °C |             |              | Unit |
|----------|----------------------------------|---|-------|------|------|-------------------|-------------|--------------|------|
|          |                                  |   | Min   | Typ  | Max  | Min               | Max (85 °C) | Max (125 °C) |      |
| $V_{T+}$ | positive-going threshold voltage | see <a href="#">Figure 14</a> and <a href="#">Figure 15</a> |       |      |      |                   |             |              |      |
|          |                                  | $V_{CC} = 0.8\text{ V}$                                     | 0.30  | -    | 0.60 | 0.30              | 0.60        | 0.62         | V    |
|          |                                  | $V_{CC} = 1.1\text{ V}$                                     | 0.53  | -    | 0.90 | 0.53              | 0.90        | 0.92         | V    |
|          |                                  | $V_{CC} = 1.4\text{ V}$                                     | 0.74  | -    | 1.11 | 0.74              | 1.11        | 1.13         | V    |
|          |                                  | $V_{CC} = 1.65\text{ V}$                                    | 0.91  | -    | 1.29 | 0.91              | 1.29        | 1.31         | V    |
|          |                                  | $V_{CC} = 2.3\text{ V}$                                     | 1.37  | -    | 1.77 | 1.37              | 1.77        | 1.80         | V    |
| $V_{T-}$ | negative-going threshold voltage | see <a href="#">Figure 14</a> and <a href="#">Figure 15</a> |       |      |      |                   |             |              |      |
|          |                                  | $V_{CC} = 0.8\text{ V}$                                     | 0.10  | -    | 0.60 | 0.10              | 0.60        | 0.60         | V    |
|          |                                  | $V_{CC} = 1.1\text{ V}$                                     | 0.26  | -    | 0.65 | 0.26              | 0.65        | 0.65         | V    |
|          |                                  | $V_{CC} = 1.4\text{ V}$                                     | 0.39  | -    | 0.75 | 0.39              | 0.75        | 0.75         | V    |
|          |                                  | $V_{CC} = 1.65\text{ V}$                                    | 0.47  | -    | 0.84 | 0.47              | 0.84        | 0.84         | V    |
|          |                                  | $V_{CC} = 2.3\text{ V}$                                     | 0.69  | -    | 1.04 | 0.69              | 1.04        | 1.04         | V    |
|          | $V_{CC} = 3.0\text{ V}$          | 0.88  | -     | 1.24 | 0.88 | 1.24              | 1.24        | V            |      |

**Table 12. Transfer characteristics ...continued**

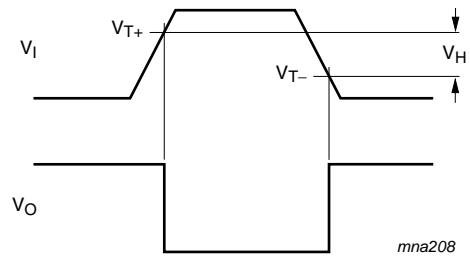
Voltages are referenced to GND (ground = 0 V; for test circuit see [Figure 13](#).)

| Symbol | Parameter          | Conditions   | 25 °C |     |      | -40 °C to +125 °C |             |              | Unit |
|--------|--------------------|--|-------|-----|------|-------------------|-------------|--------------|------|
|        |                    |  | Min   | Typ | Max  | Min               | Max (85 °C) | Max (125 °C) |      |
| $V_H$  | hysteresis voltage | ( $V_{T+} - V_{T-}$ ); see <a href="#">Figure 14</a> , <a href="#">Figure 15</a> , <a href="#">Figure 16</a> and <a href="#">Figure 17</a> |       |     |      |                   |             |              |      |
|        |                    | $V_{CC} = 0.8\text{ V}$  | 0.07  | -   | 0.50 | 0.07              | 0.50        | 0.50         | V    |
|        |                    | $V_{CC} = 1.1\text{ V}$  | 0.08  | -   | 0.46 | 0.08              | 0.46        | 0.46         | V    |
|        |                    | $V_{CC} = 1.4\text{ V}$  | 0.18  | -   | 0.56 | 0.18              | 0.56        | 0.56         | V    |
|        |                    | $V_{CC} = 1.65\text{ V}$   | 0.27  | -   | 0.66 | 0.27              | 0.66        | 0.66         | V    |
|        |                    | $V_{CC} = 2.3\text{ V}$  | 0.53  | -   | 0.92 | 0.53              | 0.92        | 0.92         | V    |
|        |                    | $V_{CC} = 3.0\text{ V}$  | 0.79  | -   | 1.31 | 0.79              | 1.31        | 1.31         | V    |

### 14. Waveforms transfer characteristics



**Fig 14. Transfer characteristic**



$V_{T+}$  and  $V_{T-}$  limits at 70 % and 20 %.

**Fig 15. Definition of  $V_{T+}$ ,  $V_{T-}$  and  $V_H$**

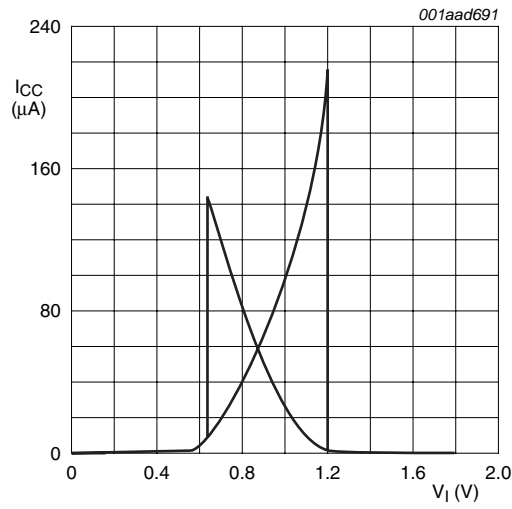


Fig 16. Typical transfer characteristics;  $V_{CC} = 1.8 V$

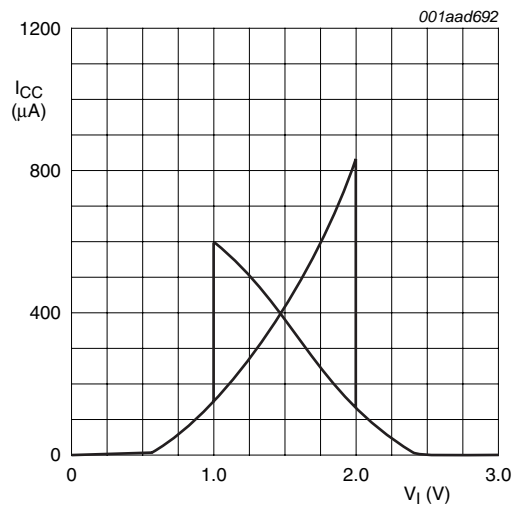


Fig 17. Typical transfer characteristics;  $V_{CC} = 3.0 V$

15. Package outline

Plastic surface-mounted package; 6 leads

SOT363

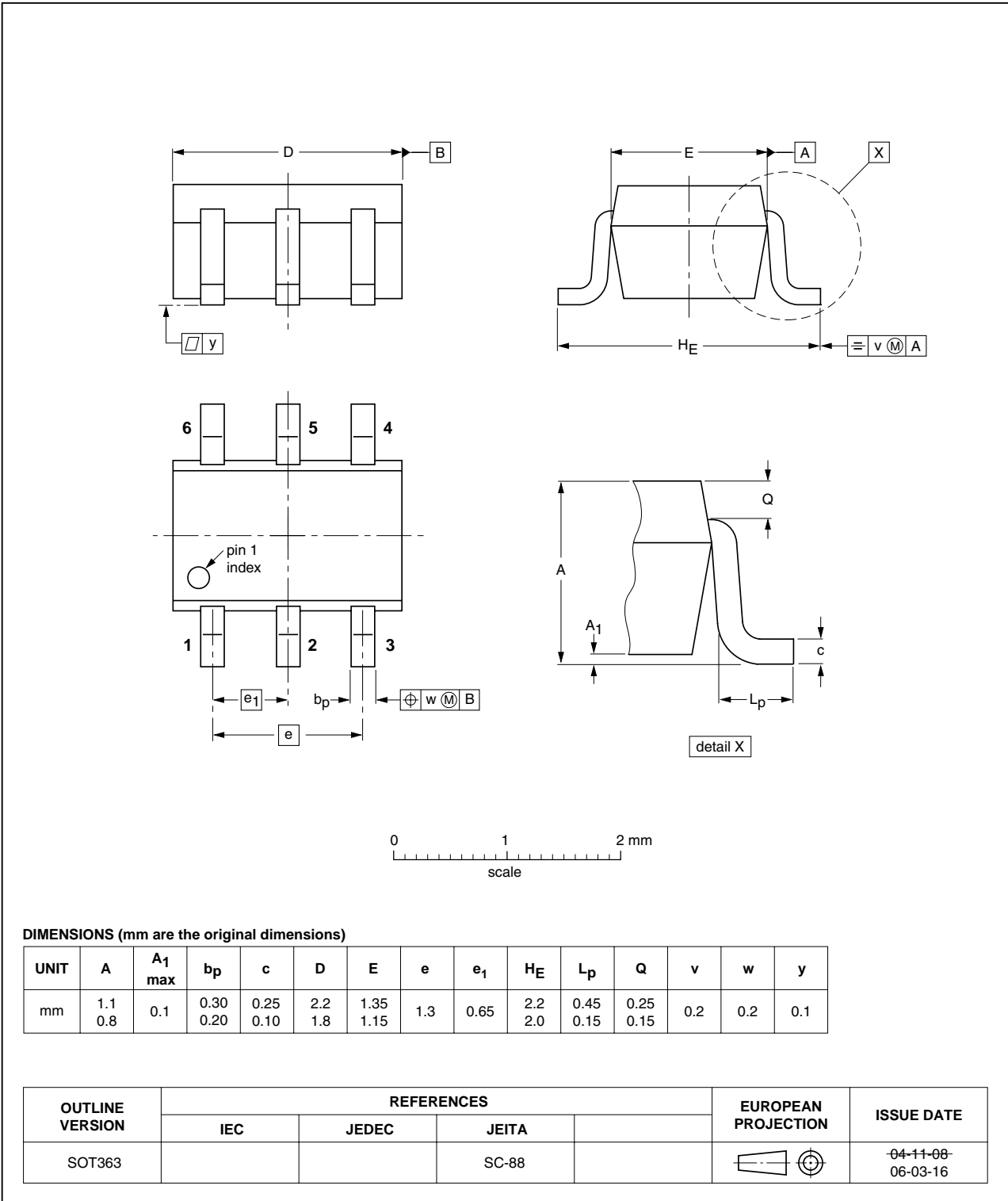


Fig 18. Package outline SOT363 (SC-88)

XSON6: plastic extremely thin small outline package; no leads; 6 terminals; body 1 x 1.45 x 0.5 mm

SOT886

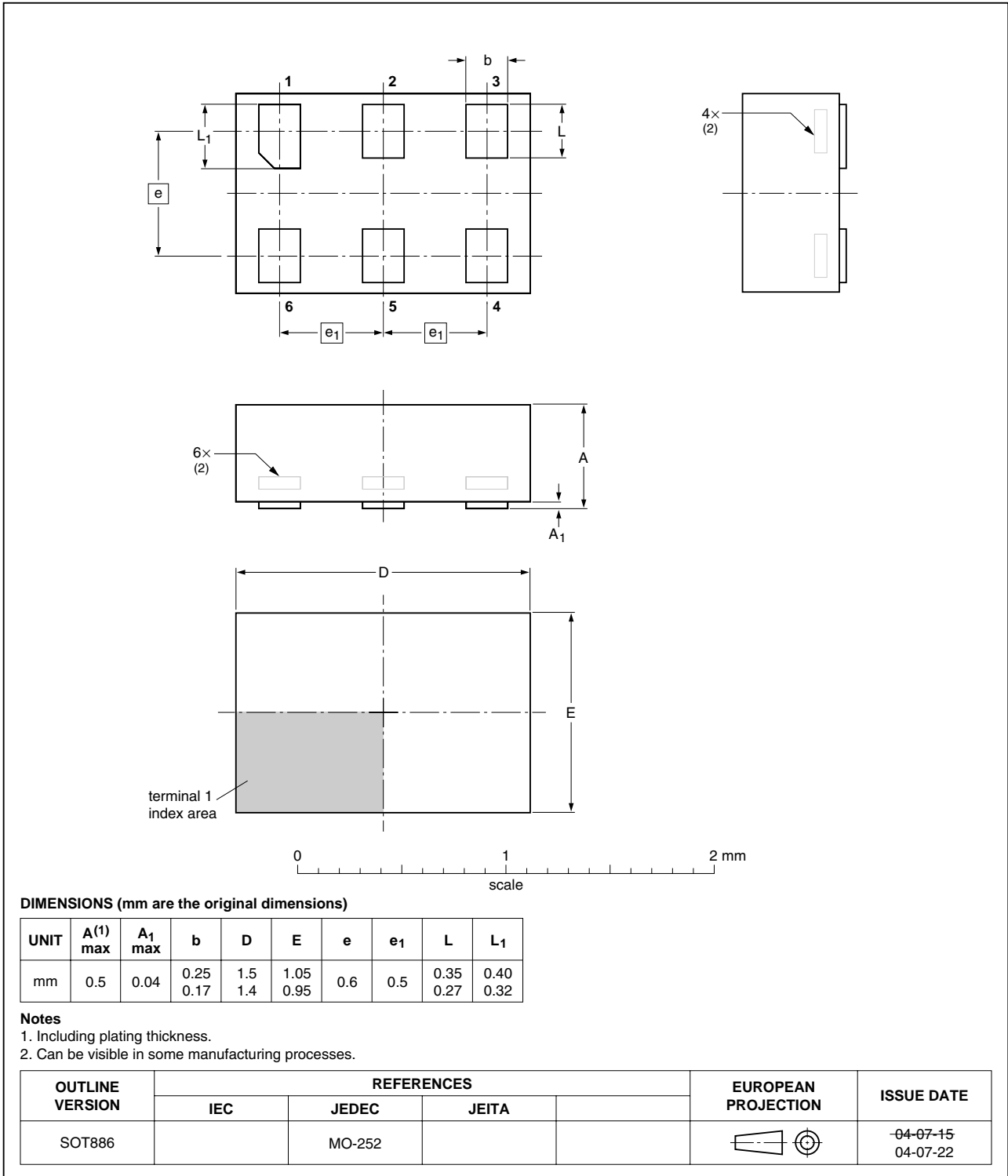


Fig 19. Package outline SOT886 (XSON6)

XSON6: plastic extremely thin small outline package; no leads; 6 terminals; body 1 x 1 x 0.5 mm

SOT891

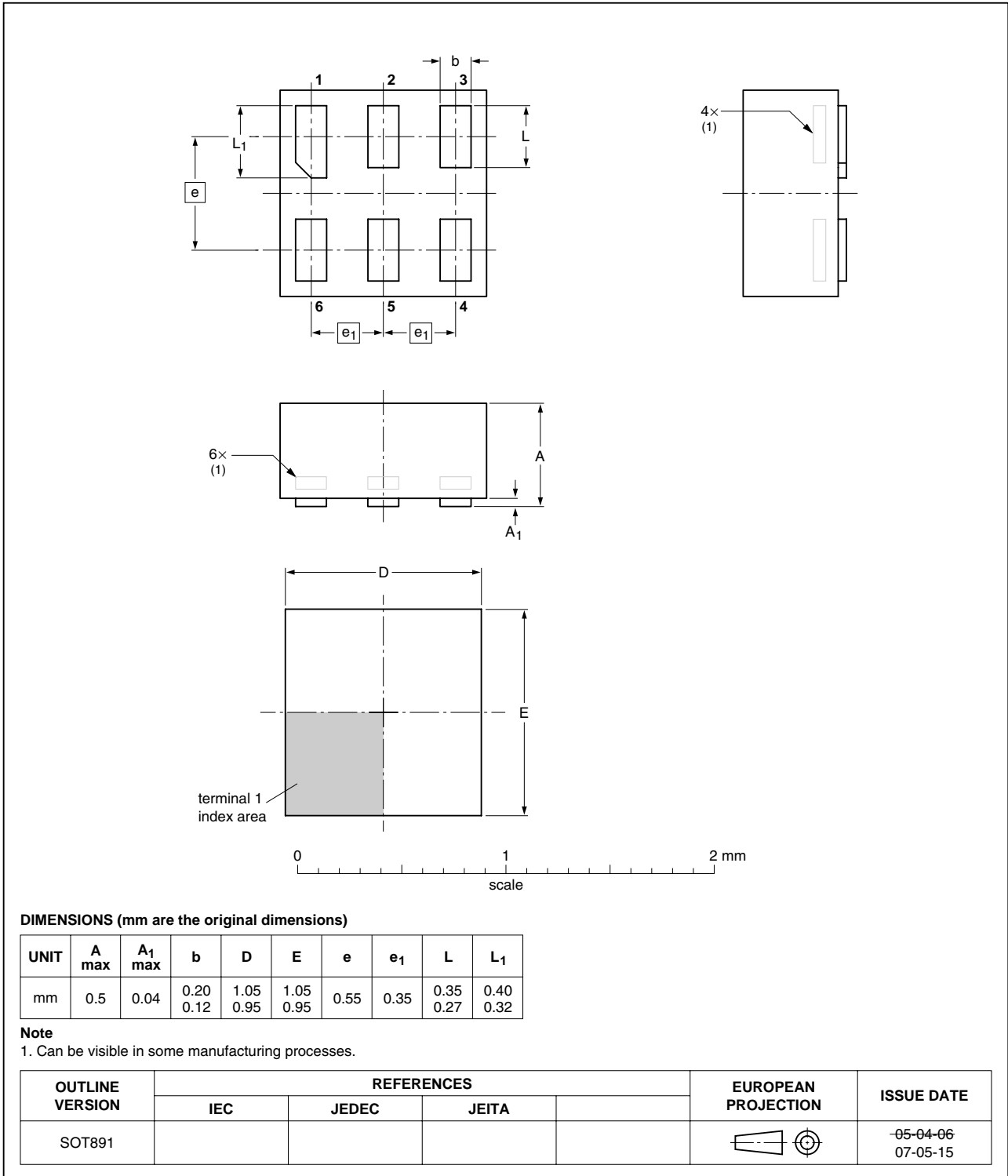


Fig 20. Package outline SOT891 (XSON6)



**XSON6: extremely thin small outline package; no leads;  
6 terminals; body 0.9 x 1.0 x 0.35 mm**

SOT1115

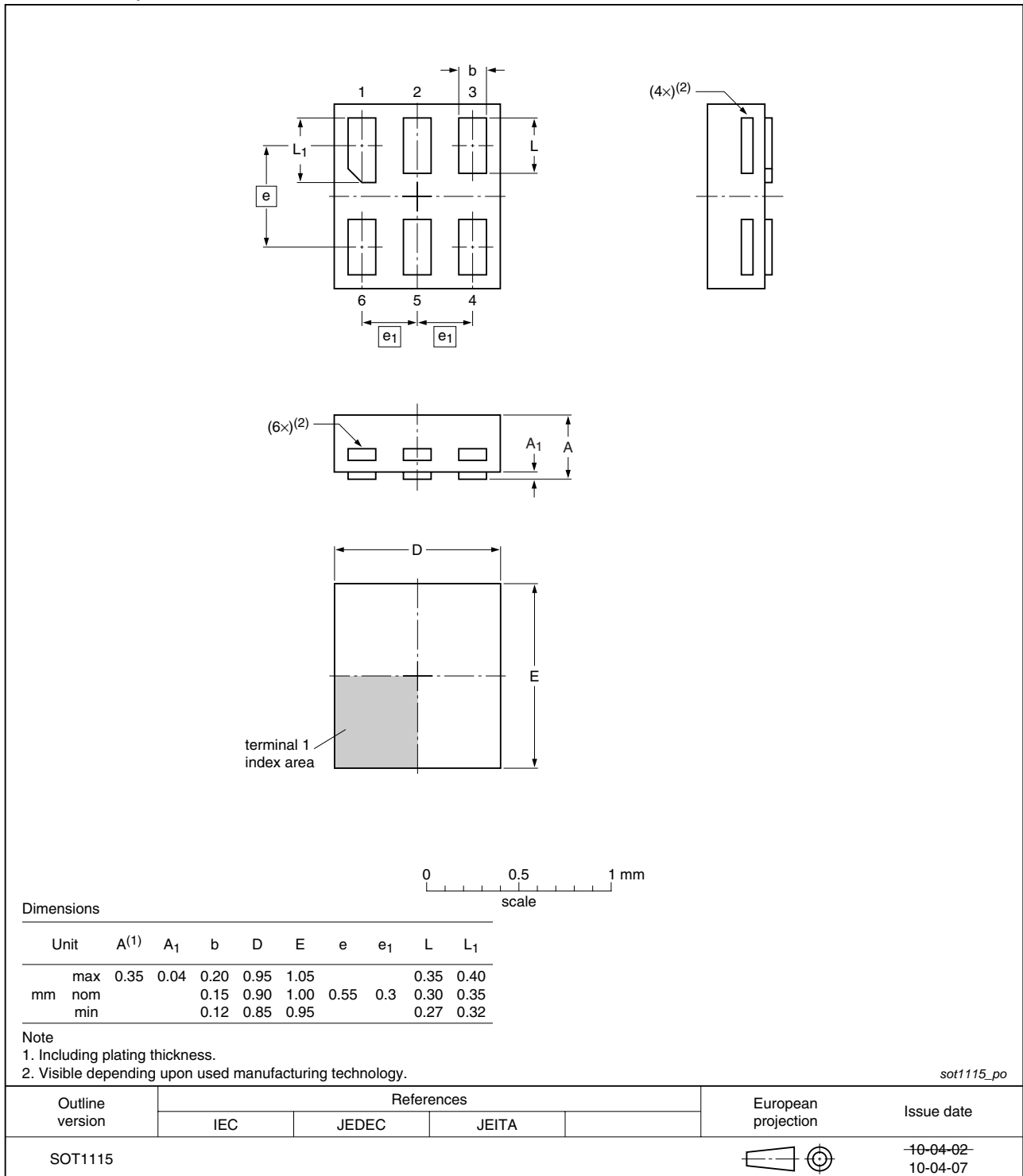
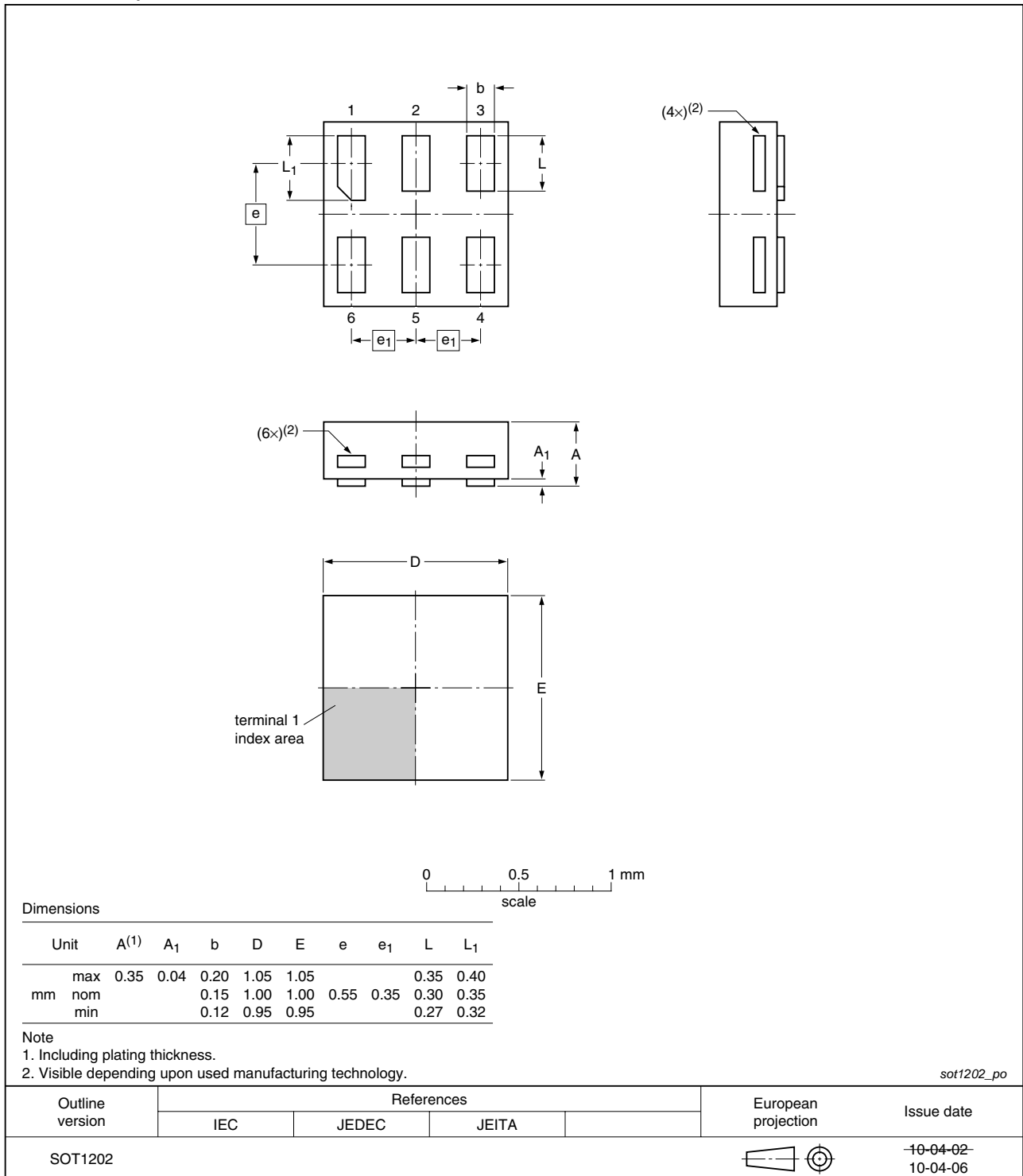


Fig 21. Package outline SOT1115 (XSON6)

**XSON6: extremely thin small outline package; no leads;  
6 terminals; body 1.0 x 1.0 x 0.35 mm**

**SOT1202**



**Fig 22. Package outline SOT1202 (XSON6)**

## 16. Abbreviations

Table 13. Abbreviations

| Acronym | Description             |
|---------|-------------------------|
| CDM     | Charged Device Model    |
| DUT     | Device Under Test       |
| ESD     | ElectroStatic Discharge |
| HBM     | Human Body Model        |
| MM      | Machine Model           |

## 17. Revision history

Table 14. Revision history

| Document ID    | Release date   | Data sheet status  | Change notice | Supersedes    |
|----------------|--|--------------------|---------------|---------------|
| 74AUP1G97 v.6  | 20110110   | Product data sheet | -             | 74AUP1G97 v.5 |
| Modifications: | <ul style="list-style-type: none"> <li>Schmitt trigger symbol added to functional drawings.</li> </ul>   |                    |               |               |
| 74AUP1G97 v.5  | 20101020   | Product data sheet | -             | 74AUP1G97 v.4 |
| Modifications: | <ul style="list-style-type: none"> <li>Added type number 74AUP1G97GN (SOT1115/XSON6 package).</li> <li>Added type number 74AUP1G97GS (SOT1202/XSON6 package).</li> </ul> |                    |               |               |
| 74AUP1G97 v.4  | 20090623   | Product data sheet | -             | 74AUP1G97 v.3 |
| 74AUP1G97 v.3  | 20090518   | Product data sheet | -             | 74AUP1G97 v.2 |
| 74AUP1G97 v.2  | 20090327   | Product data sheet | -             | 74AUP1G97 v.1 |
| 74AUP1G97 v.1  | 20061107   | Product data sheet | -             | -             |

## 18. Legal information

### 18.1 Data sheet status

| Document status <sup>[1][2]</sup> | Product status <sup>[3]</sup> | Definition  |
|-----------------------------------|-------------------------------|---|
| Objective [short] data sheet      | Development                   | This document contains data from the objective specification for product development. |
| Preliminary [short] data sheet    | Qualification                 | This document contains data from the preliminary specification.                       |
| Product [short] data sheet        | Production                    | This document contains the product specification.                                     |

[1] Please consult the most recently issued document before initiating or completing a design.

[2] The term 'short data sheet' is explained in section "Definitions".

[3] The product status of device(s) described in this document may have changed since this document was published and may differ in case of multiple devices. The latest product status information is available on the Internet at URL <http://www.nxp.com>.

### 18.2 Definitions

**Draft** — The document is a draft version only. The content is still under internal review and subject to formal approval, which may result in modifications or additions. NXP Semiconductors does not give any representations or warranties as to the accuracy or completeness of information included herein and shall have no liability for the consequences of use of such information.

**Short data sheet** — A short data sheet is an extract from a full data sheet with the same product type number(s) and title. A short data sheet is intended for quick reference only and should not be relied upon to contain detailed and full information. For detailed and full information see the relevant full data sheet, which is available on request via the local NXP Semiconductors sales office. In case of any inconsistency or conflict with the short data sheet, the full data sheet shall prevail.

**Product specification** — The information and data provided in a Product data sheet shall define the specification of the product as agreed between NXP Semiconductors and its customer, unless NXP Semiconductors and customer have explicitly agreed otherwise in writing. In no event however, shall an agreement be valid in which the NXP Semiconductors product is deemed to offer functions and qualities beyond those described in the Product data sheet.

suitable for use in medical, military, aircraft, space or life support equipment, nor in applications where failure or malfunction of an NXP Semiconductors product can reasonably be expected to result in personal injury, death or severe property or environmental damage. NXP Semiconductors accepts no liability for inclusion and/or use of NXP Semiconductors products in such equipment or applications and therefore such inclusion and/or use is at the customer's own risk.

**Applications** — Applications that are described herein for any of these products are for illustrative purposes only. NXP Semiconductors makes no representation or warranty that such applications will be suitable for the specified use without further testing or modification.

Customers are responsible for the design and operation of their applications and products using NXP Semiconductors products, and NXP Semiconductors accepts no liability for any assistance with applications or customer product design. It is customer's sole responsibility to determine whether the NXP Semiconductors product is suitable and fit for the customer's applications and products planned, as well as for the planned application and use of customer's third party customer(s). Customers should provide appropriate design and operating safeguards to minimize the risks associated with their applications and products.

NXP Semiconductors does not accept any liability related to any default, damage, costs or problem which is based on any weakness or default in the customer's applications or products, or the application or use by customer's third party customer(s). Customer is responsible for doing all necessary testing for the customer's applications and products using NXP Semiconductors products in order to avoid a default of the applications and the products or of the application or use by customer's third party customer(s). NXP does not accept any liability in this respect.

**Limiting values** — Stress above one or more limiting values (as defined in the Absolute Maximum Ratings System of IEC 60134) will cause permanent damage to the device. Limiting values are stress ratings only and (proper) operation of the device at these or any other conditions above those given in the Recommended operating conditions section (if present) or the Characteristics sections of this document is not warranted. Constant or repeated exposure to limiting values will permanently and irreversibly affect the quality and reliability of the device.

**Terms and conditions of commercial sale** — NXP Semiconductors products are sold subject to the general terms and conditions of commercial sale, as published at <http://www.nxp.com/profile/terms>, unless otherwise agreed in a valid written individual agreement. In case an individual agreement is concluded only the terms and conditions of the respective agreement shall apply. NXP Semiconductors hereby expressly objects to applying the customer's general terms and conditions with regard to the purchase of NXP Semiconductors products by customer.

**No offer to sell or license** — Nothing in this document may be interpreted or construed as an offer to sell products that is open for acceptance or the grant, conveyance or implication of any license under any copyrights, patents or other industrial or intellectual property rights.

### 18.3 Disclaimers

**Limited warranty and liability** — Information in this document is believed to be accurate and reliable. However, NXP Semiconductors does not give any representations or warranties, expressed or implied, as to the accuracy or completeness of such information and shall have no liability for the consequences of use of such information.

In no event shall NXP Semiconductors be liable for any indirect, incidental, punitive, special or consequential damages (including - without limitation - lost profits, lost savings, business interruption, costs related to the removal or replacement of any products or rework charges) whether or not such damages are based on tort (including negligence), warranty, breach of contract or any other legal theory.

Notwithstanding any damages that customer might incur for any reason whatsoever, NXP Semiconductors' aggregate and cumulative liability towards customer for the products described herein shall be limited in accordance with the *Terms and conditions of commercial sale* of NXP Semiconductors.

**Right to make changes** — NXP Semiconductors reserves the right to make changes to information published in this document, including without limitation specifications and product descriptions, at any time and without notice. This document supersedes and replaces all information supplied prior to the publication hereof.

**Suitability for use in automotive applications** — This NXP Semiconductors product has been qualified for use in automotive applications. The product is not designed, authorized or warranted to be

**Export control** — This document as well as the item(s) described herein may be subject to export control regulations. Export might require a prior authorization from national authorities.

## 18.4 Trademarks

Notice: All referenced brands, product names, service names and trademarks are the property of their respective owners.

## 19. Contact information

---

For more information, please visit: <http://www.nxp.com>

For sales office addresses, please send an email to: [salesaddresses@nxp.com](mailto:salesaddresses@nxp.com)

20. Contents

1 General description . . . . . 1

2 Features and benefits . . . . . 1

3 Ordering information . . . . . 2

4 Marking . . . . . 2

5 Functional diagram . . . . . 2

6 Pinning information . . . . . 3

6.1 Pinning . . . . . 3

6.2 Pin description . . . . . 3

7 Functional description . . . . . 3

7.1 Logic configurations . . . . . 4

8 Limiting values . . . . . 5

9 Recommended operating conditions . . . . . 5

10 Static characteristics . . . . . 6

11 Dynamic characteristics . . . . . 8

12 Waveforms . . . . . 10

13 Transfer characteristics . . . . . 11

14 Waveforms transfer characteristics . . . . . 12

15 Package outline . . . . . 14

16 Abbreviations . . . . . 19

17 Revision history . . . . . 19

18 Legal information . . . . . 20

18.1 Data sheet status . . . . . 20

18.2 Definitions . . . . . 20

18.3 Disclaimers . . . . . 20

18.4 Trademarks . . . . . 21

19 Contact information . . . . . 21

20 Contents . . . . . 22

Please be aware that important notices concerning this document and the product(s) described herein, have been included in section 'Legal information'.