

## DM74ALS30A 8-Input NAND Gate

### General Description

This device contains a single gate, which performs the logic NAND function.

### Features

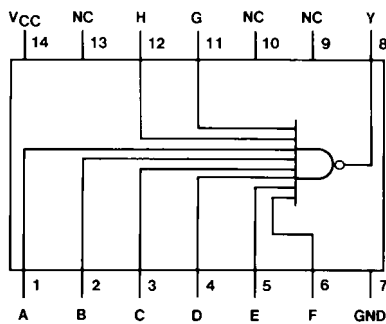
- Switching specifications at 50 pF
- Switching specifications guaranteed over full temperature and  $V_{CC}$  range
- Advanced oxide-isolated, ion-implanted Schottky TTL process
- Functionally and pin for pin compatible with Schottky and low power Schottky TTL counterpart
- Improved AC performance over Schottky and low power Schottky counterparts

### Ordering Code:

| Order Number | Package Number | Package Description   |
|--------------|----------------|---|
| DM74ALS30AM  | M14A           | 14-Lead Small Outline Integrated Circuit (SOIC), JEDEC MS-012, 0.150 Narrow |
| DM74ALS30ASJ | M14D           | 14-Lead Small Outline Package (SOP), EIAJ TYPE II, 5.3mm Wide               |
| DM74ALS30AN  | N14A           | 14-Lead Plastic Dual-In-Line Package (PDIP), JEDEC MS-001, 0.300 Wide       |

Devices also available in Tape and Reel. Specify by appending the suffix letter "X" to the ordering code.

### Connection Diagram



### Function Table

$$Y = \overline{ABCDEFGH}$$

| Inputs<br>A thru H     | Output<br>Y |
|------------------------|-------------|
| All Inputs H           | L           |
| One or More<br>Input L | H           |

H = HIGH Logic Level  
L = LOW Logic Level

**Absolute Maximum Ratings**(Note 1)

|                                      |                 |
|--------------------------------------|-----------------|
| Supply Voltage                       | 7V              |
| Input Voltage                        | 7V              |
| Operating Free Air Temperature Range | 0°C to +70°C    |
| Storage Temperature Range            | -65°C to +150°C |
| Typical $\theta_{JA}$                |                 |
| N Package                            | 86.5°C/W        |
| M Package                            | 116.0°C/W       |

**Note 1:** The "Absolute Maximum Ratings" are those values beyond which the safety of the device cannot be guaranteed. The device should not be operated at these limits. The parametric values defined in the Electrical Characteristics tables are not guaranteed at the absolute maximum ratings. The "Recommended Operating Conditions" table will define the conditions for actual device operation.

**Recommended Operating Conditions**

| Symbol   | Parameter                      | Min | Nom | Max  | Units |
|----------|--------------------------------|-----|-----|------|-------|
| $V_{CC}$ | Supply Voltage                 | 4.5 | 5   | 5.5  | V     |
| $V_{IH}$ | HIGH Level Input Voltage       | 2   |     |      | V     |
| $V_{IL}$ | LOW Level Input Voltage        |     |     | 0.8  | V     |
| $I_{OH}$ | HIGH Level Output Current      |     |     | -0.4 | mA    |
| $I_{OL}$ | LOW Level Output Current       |     |     | 8    | mA    |
| $T_A$    | Free Air Operating Temperature | 0   |     | 70   | °C    |

**Electrical Characteristics**

over recommended operating free air temperature range. All typical values are measured at  $V_{CC} = 5V$ ,  $T_A = 25^\circ C$ .

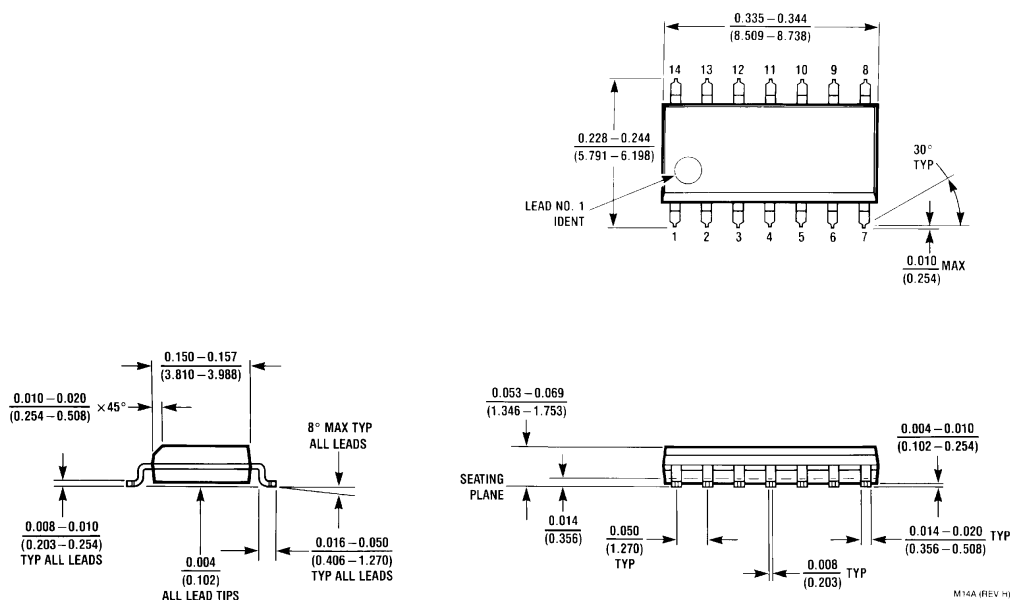
| Symbol   | Parameter                          | Conditions  | Min          | Typ  | Max  | Units   |
|----------|------------------------------------|---|--------------|------|------|---------|
| $V_{IK}$ | Input Clamp Voltage                | $V_{CC} = 4.5V$ , $I_I = -18\text{ mA}$                     |              |      | -1.5 | V       |
| $V_{OH}$ | HIGH Level Output Voltage          | $I_{OH} = -0.4\text{ mA}$<br>$V_{CC} = 4.5V\text{ to }5.5V$ | $V_{CC} - 2$ |      |      | V       |
| $V_{OL}$ | LOW Level Output Voltage           | $V_{CC} = 4.5V$ , $I_{OL} = 8\text{ mA}$                    |              | 0.35 | 0.5  | V       |
| $I_I$    | Input Current at Max Input Voltage | $V_{CC} = 5.5V$ , $V_{IH} = 7V$                             |              |      | 0.1  | mA      |
| $I_{IH}$ | HIGH Level Input Current           | $V_{CC} = 5.5V$ , $V_{IH} = 2.7V$                           |              |      | 20   | $\mu A$ |
| $I_{IL}$ | LOW Level Input Current            | $V_{CC} = 5.5V$ , $V_{IL} = 0.4V$                           |              |      | -0.1 | mA      |
| $I_O$    | Output Drive Current               | $V_{CC} = 5.5V$ , $V_O = 2.25V$                             | -30          |      | -112 | mA      |
| $I_{CC}$ | Supply Current                     | $V_{CC} = 5.5V$   |              |      |      |         |
|          |                                    | Outputs HIGH  |              | 0.22 | 0.36 | mA      |
|          |                                    | Outputs LOW   |              | 0.54 | 0.90 | mA      |

**Switching Characteristics**

over recommended operating free air temperature range

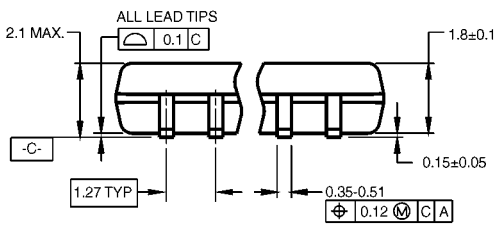
| Symbol    | Parameter  | Conditions  | Min | Max | Units |
|-----------|--|---|-----|-----|-------|
| $t_{PLH}$ | Propagation Delay Time<br>LOW-to-HIGH Level Output | $V_{CC} = 4.5V\text{ to }5.5V$<br>$R_L = 500\Omega$ | 3   | 10  | ns    |
| $t_{PHL}$ | Propagation Delay Time<br>HIGH-to-LOW Level Output | $C_L = 50\text{ pF}$                                | 3   | 12  | ns    |

**Physical Dimensions** inches (millimeters) unless otherwise noted



**14-Lead Small Outline Integrated Circuit (SOIC), JEDEC MS-012, 0.150 Narrow Package Number M14A**

**Physical Dimensions** inches (millimeters) unless otherwise noted (Continued)

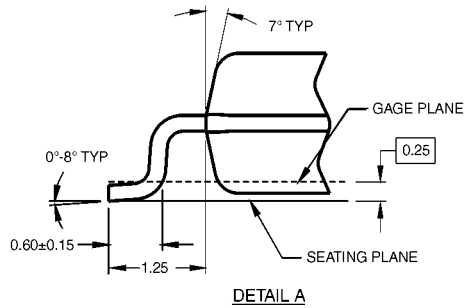
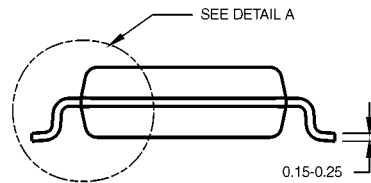


DIMENSIONS ARE IN MILLIMETERS

NOTES:

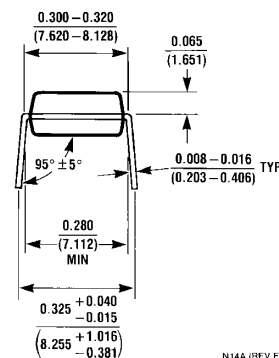
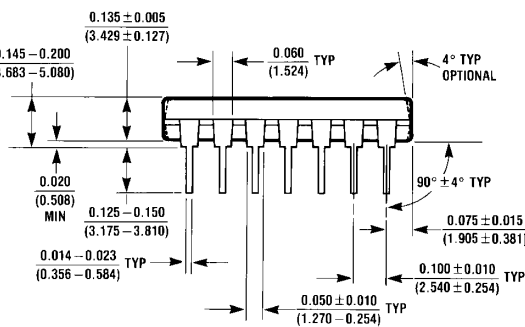
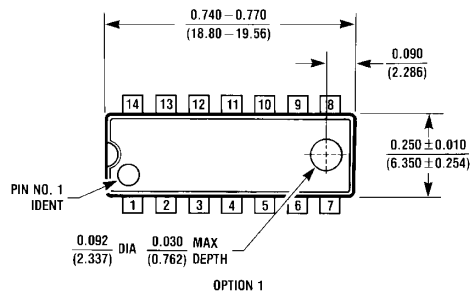
- A. CONFORMS TO EIAJ EDR-7320 REGISTRATION, ESTABLISHED IN DECEMBER, 1998.
- B. DIMENSIONS ARE IN MILLIMETERS.
- C. DIMENSIONS ARE EXCLUSIVE OF BURRS, MOLD FLASH, AND TIE BAR EXTRUSIONS.

M14DRevB1



**14-Lead Small Outline Package (SOP), EIAJ TYPE II, 5.3mm Wide  
Package Number M14D**

**Physical Dimensions** inches (millimeters) unless otherwise noted (Continued)



N14A (REV F)

**14-Lead Plastic Dual-In-Line Package (PDIP), JEDEC MS-001, 0.300 Wide Package Number N14A**

Fairchild does not assume any responsibility for use of any circuitry described, no circuit patent licenses are implied and Fairchild reserves the right at any time without notice to change said circuitry and specifications.

**LIFE SUPPORT POLICY**

FAIRCHILD'S PRODUCTS ARE NOT AUTHORIZED FOR USE AS CRITICAL COMPONENTS IN LIFE SUPPORT DEVICES OR SYSTEMS WITHOUT THE EXPRESS WRITTEN APPROVAL OF THE PRESIDENT OF FAIRCHILD SEMICONDUCTOR CORPORATION. As used herein:

1. Life support devices or systems are devices or systems which, (a) are intended for surgical implant into the body, or (b) support or sustain life, and (c) whose failure to perform when properly used in accordance with instructions for use provided in the labeling, can be reasonably expected to result in a significant injury to the user.
2. A critical component in any component of a life support device or system whose failure to perform can be reasonably expected to cause the failure of the life support device or system, or to affect its safety or effectiveness.

[www.fairchildsemi.com](http://www.fairchildsemi.com)