

# Stereo pre-amplifiers with mute detection circuits for car stereos

## BA3430S / BA3430F / BA3430FS

The BA3430S, BA3430F, and BA3430FS are stereo pre-amplifiers with mute detection circuits which have been designed for use in car stereos. The analog circuitry including the pre-amplifier and mute detection and the digital circuitry such as control logic circuits have been combined together on a single chip. This has made it possible to reduce the interface with the microcontroller to five parallel inputs and outputs, and enables a very compact circuit configuration around the tape head.

The BA3430S, BA3430F, or BA3430FS makes it possible to easily incorporate an ultra-compact, high-precision pre-amplifier board into the mechanical components of a car stereo.

### ●Absolute maximum ratings (Ta = 25°C)

Parameter	Symbol	Limits	Unit
Applied voltage	Vcc	18	V
Power dissipation	BA3430S	1050*1	mW
	BA3430F	550*2	
	BA3430FS	800*3	
Operating temperature	Topr	-30~+85	°C
Storage temperature	Tstg	-55~+125	°C

\*1 Reduced by 10.5mW for each increase in Ta of 1°C over 25°C.

\*2 When mounted on a 70×70×1.6mm glass epoxy board.

Reduced by 5.5mW for each increase in Ta of 1°C over 25°C.

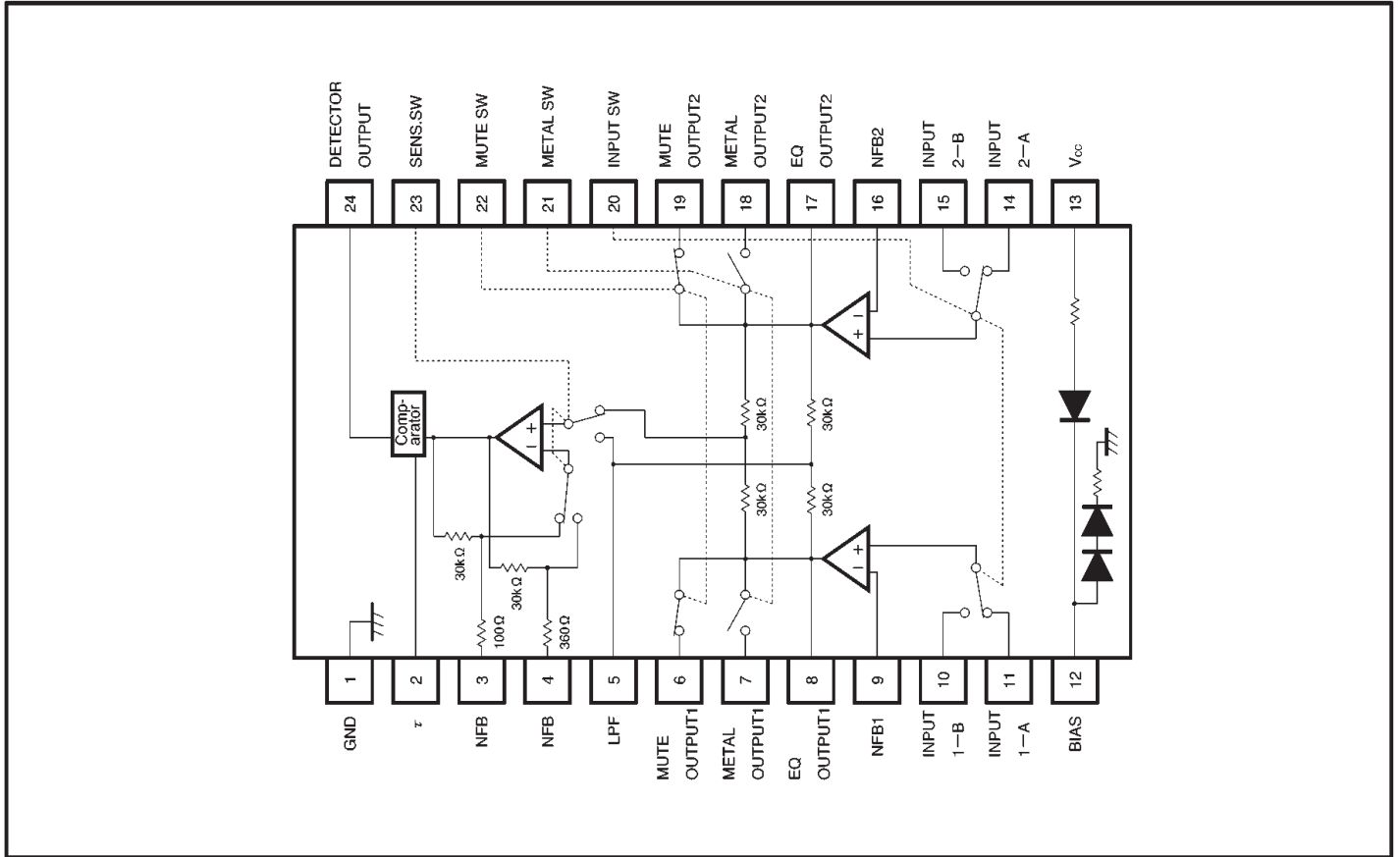
\*3 When mounted on a 70×70×1.6mm glass epoxy board.

Reduced by 8.0mW for each increase in Ta of 1°C over 25°C.

### ●Recommended operating conditions (Ta = 25°C)

Parameter	Symbol	Limits	Unit
Power supply voltage	Vcc	7.0~18.0	V

●Block diagram



## ●Pin descriptions

Pin No.	Pin name	Function
1	GND	Substrate GND
2	$\tau$	Mute detection time constant
3	NFB	During playback, negative input of mute detection amplifier
4	NFB	During fast forward, negative input of mute detection amplifier
5	LPF	Low pass filter
6	MUTE OUTPUT1	Output 1 of mute amplifier
7	METAL OUTPUT1	Metal switch output 1
8	EQ OUTPUT1	Output 1 of equalizer amplifier
9	NFB1	Negative input 1 of equalizer amplifier
10	INPUT 1-B	Positive input 1-B of equalizer amplifier
11	INPUT 1-A	Positive input 1-A of equalizer amplifier
12	BIAS	Bias
13	V <sub>cc</sub>	Power supply
14	INPUT 2-A	Positive input 2-A of equalizer amplifier
15	INPUT 2-B	Positive input 2-B of equalizer amplifier
16	NFB2	Negative input 2 of equalizer amplifier
17	EQ OUTPUT2	Output 2 of equalizer amplifier
18	METAL OUTPUT2	Metal switch output 2
19	MUTE OUTPUT2	Output 2 of mute amplifier
20	INPUT SW	Input switch control input
21	METAL SW	Metal switch control input
22	MUTE SW	Mute switch control input
23	SENS.SW	Switch control input for mute detection sensitivity
24	DETECTOR OUTPUT	Mute detection output

●Electrical characteristics (unless otherwise noted,  $T_a = 25^\circ\text{C}$  and  $V_{CC} = 9\text{V}$ ,  $f = 1\text{kHz}$ ,  $R_g = 680\Omega$ ,  $V_o = -10\text{dBV}$ )

Parameter	Symbol	Min.	Typ.	Max.	Unit	Conditions
Circuit current	$I_{CC}$	—	10.3	16	mA	When quiescent
Open loop voltage gain	$G_{VO}$	72	85	—	dB	—
Closed loop voltage gain 1	$G_{VC1}$	37	40	43	dB	—
Closed loop voltage gain 2	$G_{VC2}$	29	32	35	dB	$f = 10\text{kHz}$ , during metal playback
Maximum output voltage	$V_{OM}$	0.5	0.9	—	$V_{RMS}$	THD=1%
Total harmonic distortion	THD	—	0.05	0.2	%	—
Input conversion noise voltage	$V_{NIN}$	—	0.7	1.5	$\mu V_{RMS}$	20~20kHz BPF
Ripple rejection ratio	RR	40	50	—	dB	$V_{RR} = -20\text{dBV}$ , $f_{RR} = 100\text{Hz}$
A-B crosstalk level	CT	55	65	—	dB	—
Channel separation	CS	55	65	—	dB	—
Mute level	ML	55	70	—	dB	—
Song detection input level 1	$V_{ON1}$	-96.5	-93.5	-90.5	dBV	$f = 5\text{kHz}$ , during playback
Song detection input level 2	$V_{ON2}$	-84	-81	-78	dBV	$f = 10\text{kHz}$ , during fast-forward
Song detection time	$\tau_1$	—	6	—	ms	—
Mute detection time	$\tau_2$	—	45	—	ms	—
Logic low output sink current	$I_{OL}$	2	4	—	mA	—
Logic high output leakage current	$I_{OH}$	—	1	3	$\mu A$	—
Logic input low level voltage	$V_{IL}$	—	—	0.2	V	—
Logic input high level voltage	$V_{IH}$	4.7	—	—	V	—
Control pin outflow current	$I_{IL}$	—	—	200	$\mu A$	$V_{IL} = 0\text{V}$
Control pin inflow current	$I_{IH}$	—	—	300	$\mu A$	$V_{IH} = 5\text{V}$

● Measurement circuit

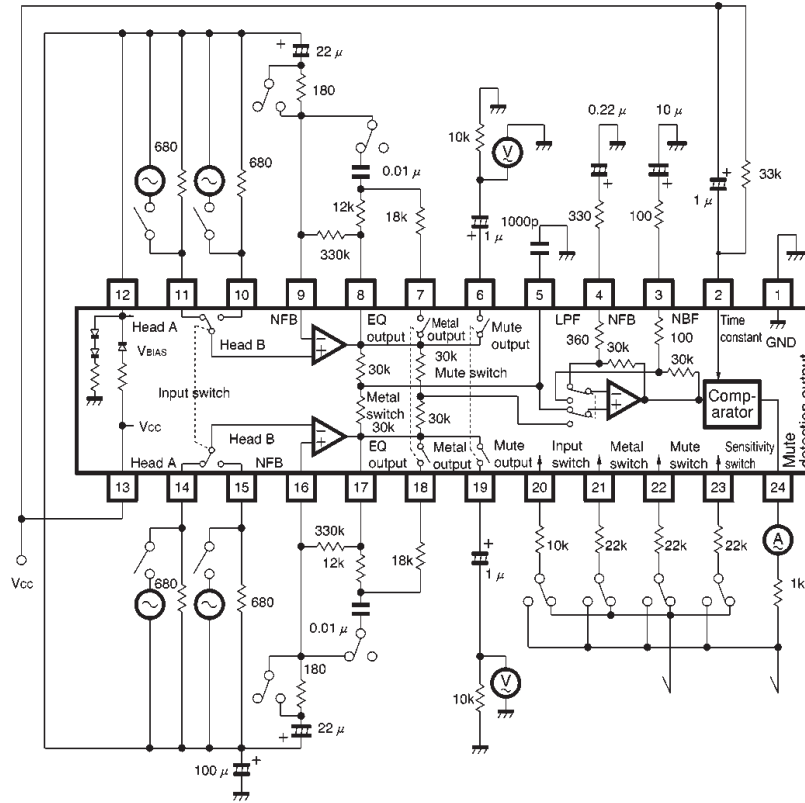


Fig.1

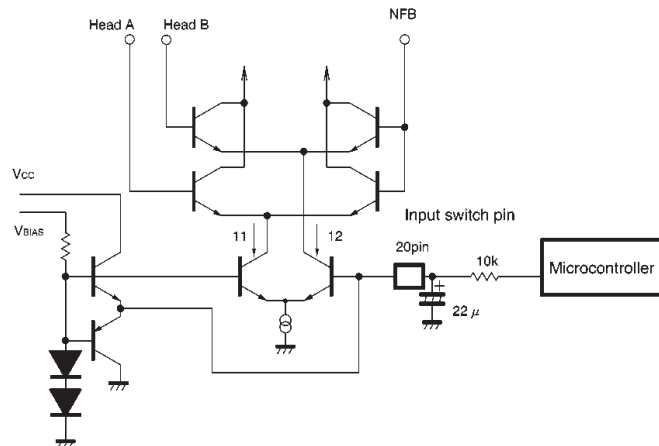
● Audio signal amplification circuit

(1) Input switch circuit

This circuit switches between head A and head B as needed for the auto reverse function.

A 10kΩ or less resistor must be connected to the input pin to limit the input current.

Equivalent circuit schematic



The electrolytic capacitor between the input pin and ground is for preventing switch noise. Although it is possible to prevent switch noise in the audio output without this capacitor by using the mute circuit, switch noise in the mute detection circuit will not be prevented and noise will be recognized as a song.

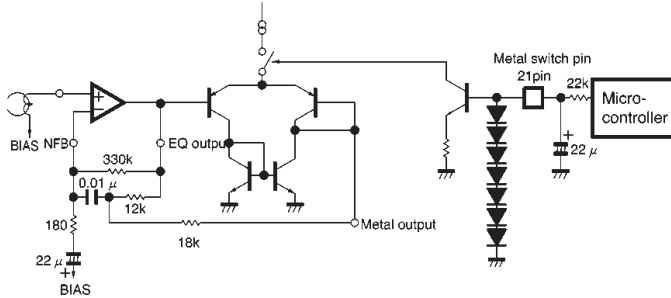
Truth table

Pin 20 voltage	Head	Input pin
H	B	10,15
L	A	11,14

(2) Equalizer amplifier and metal switch circuits

The signal input from the magnetic head will be amplified based on the NAB characteristics for normal tape or metal tape. The equalizer characteristics are switched between normal and metal according to the logic of the metal switch pin. A 22kΩ or less resistor must be connected

Equivalent circuit schematic



(3) Mute circuit

This circuit mutes the output of the equalizer amplifier. A 22kΩ or less resistor must be connected to the input pin to limit the input current. The electrolytic capacitor between the input pin and ground is for preventing switch noise. It can be omitted without causing incorrect song detection, however, it is best to use it to ensure proper operation of the mute circuit.

Input switch truth table

Pin 22 voltage	Output mode
H	Mute
L	Signal output

to the input pin to limit the input current. The capacitor between the input pin and ground is for preventing switch noise. It can be omitted without causing incorrect song detection.

Input switch truth table

Pin 21 voltage	Mode
H	Metal
L	Normal

Equivalent circuit schematic

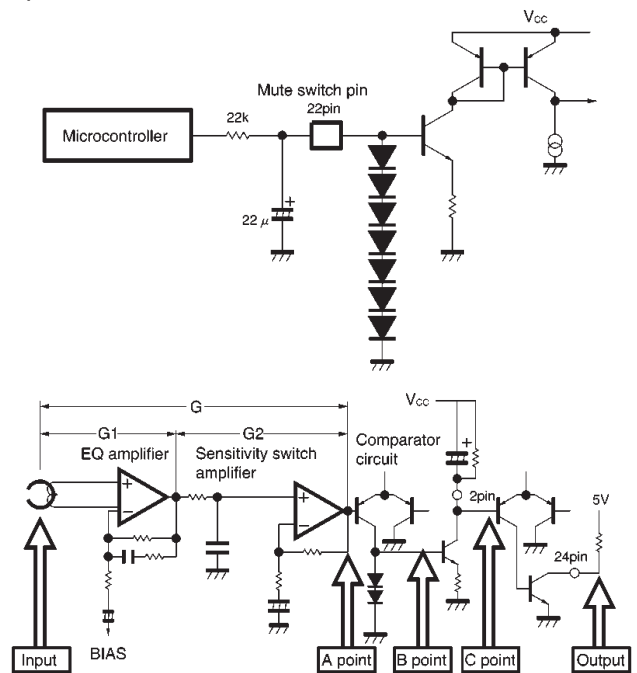


Fig.2

● Mute detection circuit

(1) Mute detection based on noise and music signals  
 The signals of each block in the mute detection circuit are shown in the diagram below.

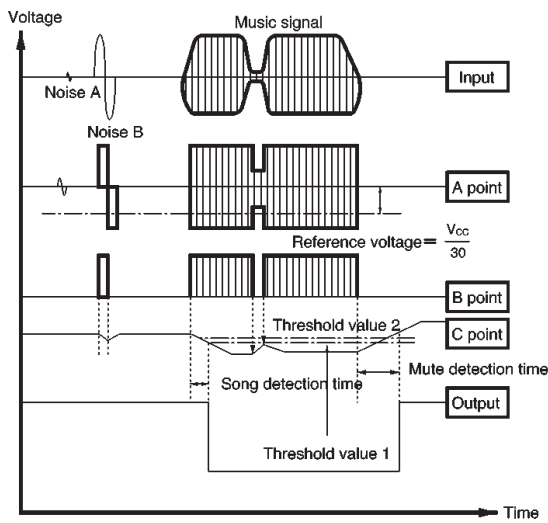


Fig. 3 Timing chart 1 (long time set for mute detection)

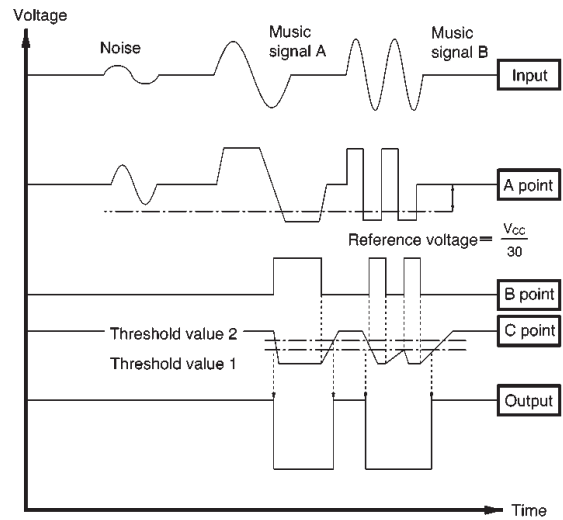


Fig. 4 Timing chart 2 (short time set for mute detection)

(2) Sensitivity switch amplifier circuit

The noise level and signal frequency of the tape differ during playback and fast forward. Therefore, this signal amplifier includes a circuit for switching the detection frequency and gain for playback and fast forward.

1) Sensitivity switch circuit

This circuit switches the detection frequency and gain for playback and fast forward.

A 10kΩ or less resistor must be connected to the input pin to limit the input current. The electrolytic capacitor between the input pin and ground is for preventing incorrect detection. Without this capacitor, sensitivity switch noise may cause incorrect detection of songs.

Input switch truth table

Pin 23 voltage	Mute detection mode
H	Fast forward
L	Playback

2) Input low pass filter

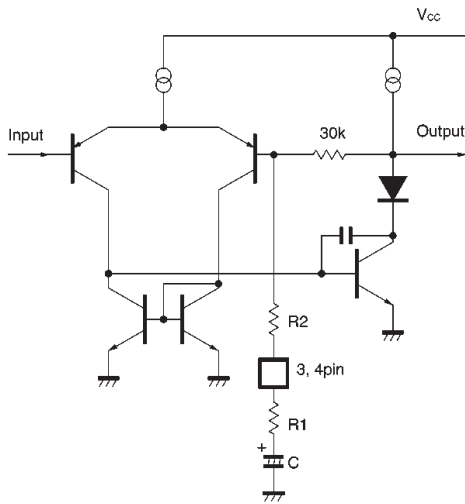
High frequency noise increases during fast forward. This filter reduces high frequency noise. It consists of an internal 30kΩ resistor which combines the left and right equalizer output and an external capacitor connected to Pin 5.

The cutoff frequency of the low pass filter  $f_H$  is

$$f_H = \frac{1}{2 \times \pi \times C \times 30k // 30k} \text{ (Hz)}$$

C = External capacitor connected to Pin 5

3) Sensitivity switch amplifier  
Equivalent circuit schematic



4) Comparator circuit

This circuit detects the presence or not of the signal and outputs a detection signal.

The circuit consists of two comparators. The first comparator detects the level of the signal and the second comparator detects the duration of the signal.

When a signal above  $V_{CC}/30$  ( $V_{O-P}$ ) is input, the first comparator turns on and draws a constant current  $I$  from the time constant pin. This causes the voltage of the time constant pin to fall, and when it drops below  $V_{CC} - 2.7(V)$  the next comparator turns on, changing the mute detection output pin to low.

If the signal level drops below  $V_{CC}/30$  ( $V_{O-P}$ ), the first comparator turns off and the voltage of the time constant pin rises due to the external discharge resistor. When this voltage rises above  $V_{CC} - 2.0(V)$ , the next comparator turns off, changing the mute detection output pin to high. The time  $\tau_1$  from the arrival of the signal to the changeover of the mute detection output pin to low is given as follows:

$$\tau_1 = \frac{5.4 \times C}{I} \text{ (S)}$$

$R_2$  is a resistor inside the IC which is  $100\Omega$  during play-back and  $360\Omega$  during fast forward.

The gain of the amplifier is

$$G = 20 \times \log \frac{30k + R_1 + R_2}{R_1 + R_2} \text{ (dB)}$$

The low cutoff frequency  $f_L$  of the amplifier is

$$f_L = \frac{1}{2 \times \pi \times C \times (R_1 + R_2)} \text{ (Hz)}$$

This equation holds when the input signal is sufficiently large.

See Fig. 20 for the small signal time  $\tau_1$ .

The time  $\tau_2$  from the ceasing of the signal to the change-over of the mute detection output pin to high is as follows:

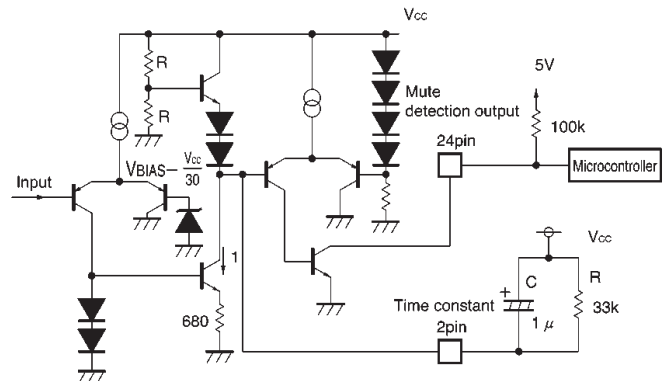
$$\tau_2 = C \times R \times \ln \frac{1/2 \times V_{CC} + 2.0}{2.0} \text{ (S)}$$

$I$ : Output current of first comparator = approx. 1mA

$C$ : External capacitor connected to time constant pin

$R$ : External resistor connected to time constant pin (this should be  $22k\Omega$  or higher)

Equivalent circuit schematic





5) Gain settings for the mute detection circuit

The gain settings for the mute detection circuit are shown below. The reference voltage of the comparator circuit is set at  $V_{CC}/30$ .

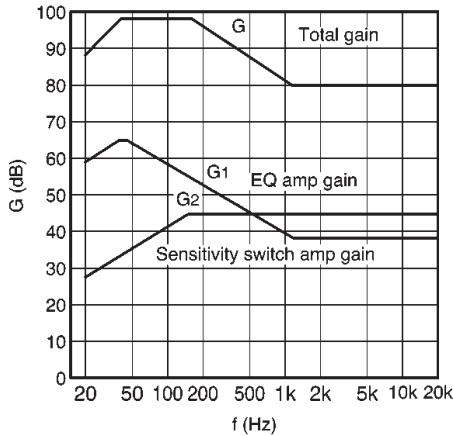


Fig. 5 During playback

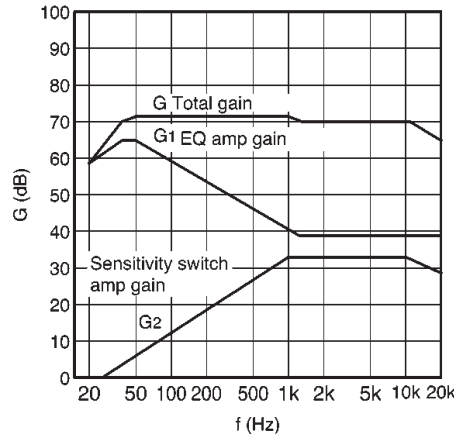


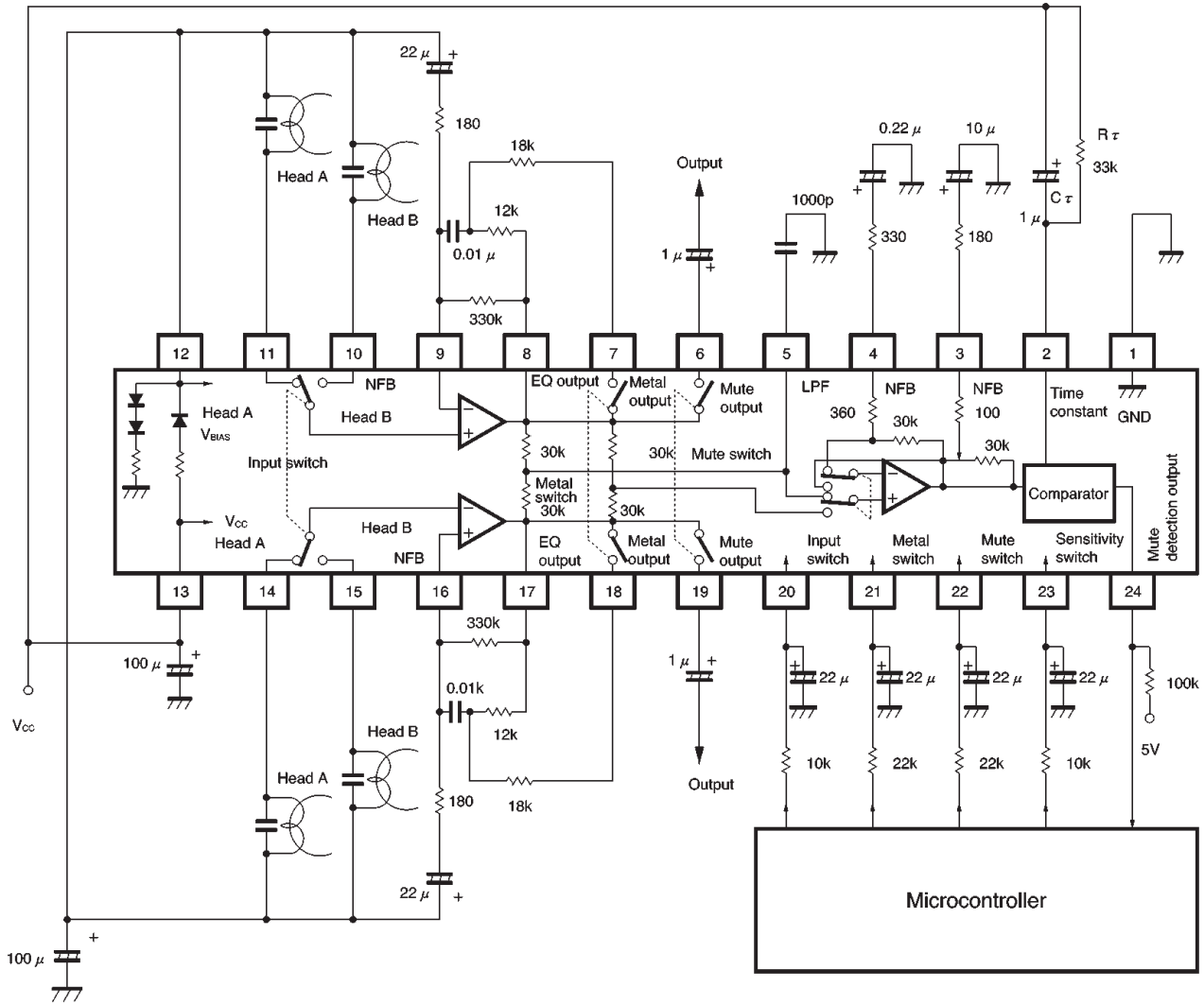
Fig. 6 During fast forward

As an example, when  $V_{CC} = 9V$  and  $f = 5kHz$ , the mute detection level during playback is obtained as follows:

a. The reference voltage of the comparator circuit is  $V = V_{CC}/30 = 0.3V$ , therefore, the circuit will operate at an AC input of  $0.3/\sqrt{2}V_{rms} = -13.5dBV$  or more.

- b. From the above chart, the gain at 5kHz during playback is 80dB.
- c. Therefore, the output/input level of mute detection is  $-13.5 - 80 = -93.5dBV$ .

●Application example



Units  
 Resistors : Ω (±5%)  
 Capacitors : F (±10%)  
 Capacitors (electrolytic) : F (±20%)

Fig. 7

● Operation notes

(1) Application circuit

The application circuit is an example of a circuit we recommend, however, before using it further examination of characteristics and patent issues is necessary. If any of the values of the external connections are changed, be sure to take into consideration both the quiescent and transient characteristics of the IC and external components, and also deviations in the characteristics.

(2) Resistor values for switch pins

To prevent incorrect operation of the switch pins, use a 3k to 10kΩ resistor at Pins 20 and 23, and a 2k to 22kΩ resistor at Pins 21 and 22.

(3) Capacitors for switch pins

The capacitors connected to Pins 20 and 23 are for preventing incorrect operation of the mute detection circuit. Without these capacitors, the switching sound which occurs when the internal switches are switched will cause the mute detection output pin (Pin 24) to go low even when there is no signal, and this error will continue throughout the mute detection time. If a short mute detection time is set and the error can be tolerated, the capacitors can be omitted. The capacitors at Pins 21 and 22 are for preventing a “pop” sound in the audio signal. If the pop sound is muted at a latter stage, the capacitors can be omitted. Naturally, the mute detection circuit will still operate correctly if they are omitted.

(4) Song detection output/input level

The song detection output/input level can be set with the resistors connected to Pins 3 and 4. Small values for these resistors will create a large amplifier gain, lowering the song detection output/input level. The song detection output/input level in the application circuit is –93.5dBV (5kHz) during playback and –81dBV (10kHz) during fast forward.

(5) Frequency characteristics of sensitivity switch amplifier

The low cutoff frequency during playback can be set with the capacitor and resistor values of Pin 3. The low cutoff frequency during fast forward can be set with the capacitor and resistor values of Pin 4, and the high cutoff frequency can be set with the capacitor connected to Pin 5 and the internal resistor.

(6) Song detection time

The song detection time can be set with the capacitor connected to Pin 2. If the time is too short, short noise signals will also cause the circuit to operate. Set the time as long as possible.

(7) Mute detection time

The mute detection time is proportional to the product of the capacitor and resistor between the supply voltage and Pin 2. Taking into consideration the allowed IC current, select a resistor which is 22kΩ or more.

	Pin 20 C		Pin 21 C		Pin 22 C		Pin 23 C	
	Yes	No	Yes	No	Yes	No	Yes	No
Pop sound in audio signal	△	×	○	△	○	×	○	○
Mute detection circuit error	○	×	○	○	○	○	○	*

× . . . Occurs

○ . . . Does not occur

△ . . . May occur due to gain in following stage

\* . . . Possibility of incorrect operation

● Thermal derating curves

As the allowed power dissipation of the BA3430F / BA3430FS is small (BA3430F = 550mW, BA3430FS = 800mW), high temperature or high current may cause the allowed power dissipation to be exceeded. Fig. 8 shows the internal power dissipation vs. supply voltage ( $P_d$  vs.  $V_{CC}$ ), and Fig. 9 shows the allowed power dissipation vs. ambient temperature ( $P_{dMAX}$  vs.  $T_a$ ). Allowed supply voltage vs. ambient temperature ( $V_{CCMAX}$  vs.  $T_a$ ) can be obtained from these curves, and the result is shown in Fig. 10. Refer to Fig. 10 to set the supply voltage when designing the application.

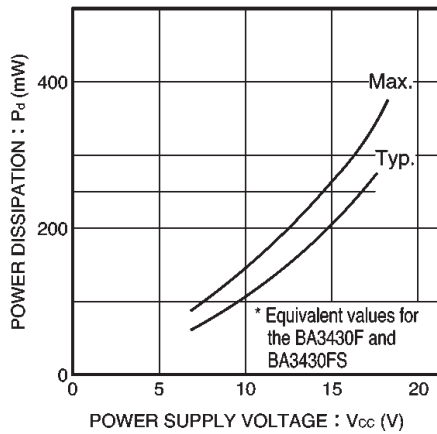


Fig. 8  $P_d$  vs.  $V_{cc}$

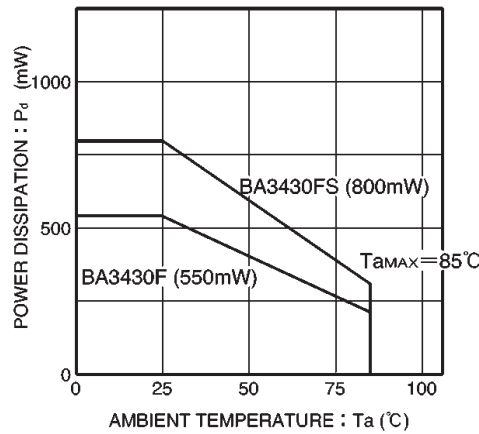


Fig. 9  $P_{dMAX}$  vs.  $T_a$

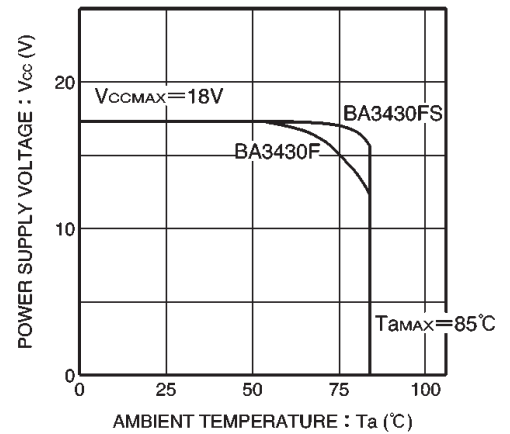


Fig. 10  $V_{CCMAX}$  vs.  $T_a$

● Electrical characteristics curves

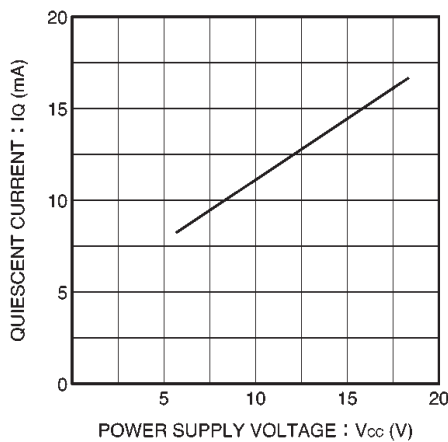


Fig. 11 Quiescent current vs. power supply voltage

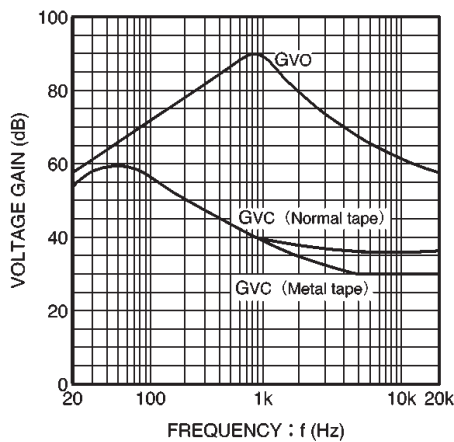


Fig. 12 Open loop voltage gain and closed loop voltage gain vs. frequency

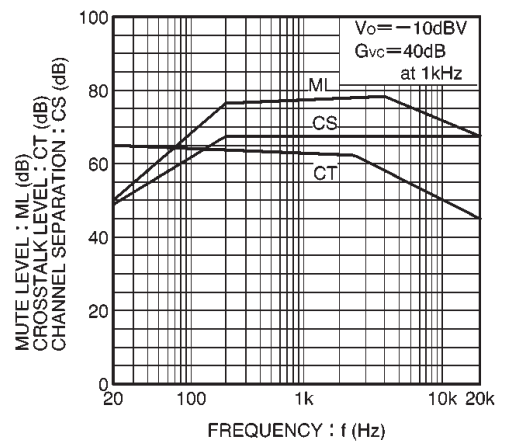


Fig. 13 Mute level frequency, crosstalk level and channel separation vs. frequency

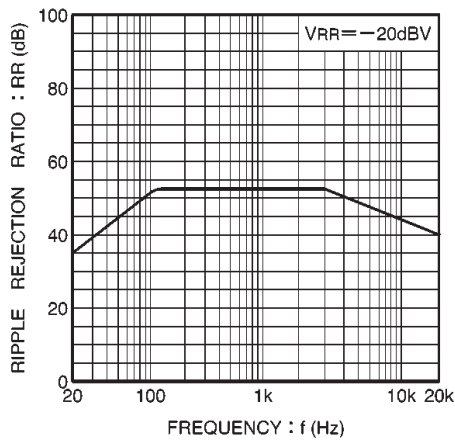


Fig. 14 Ripple rejection ratio vs. frequency

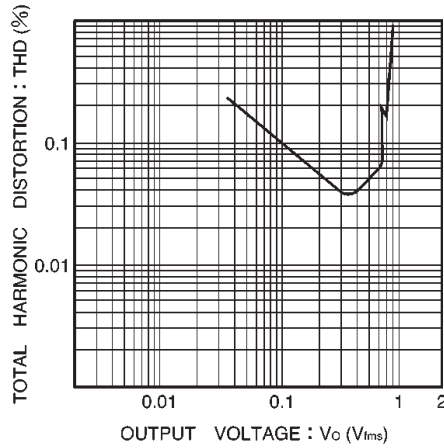


Fig. 15 Total harmonic distortion vs. output voltage

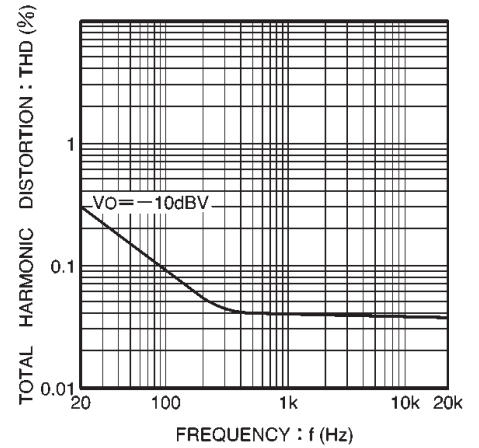


Fig. 16 Total harmonic distortion vs. frequency

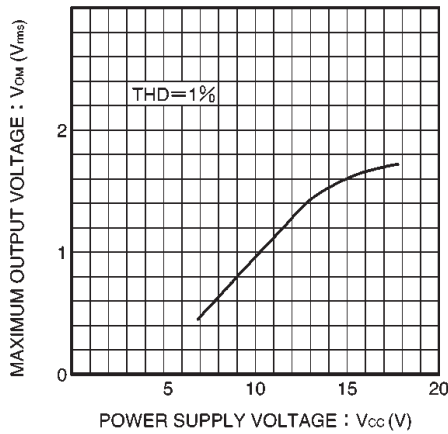


Fig. 17 Maximum output voltage vs. power supply voltage

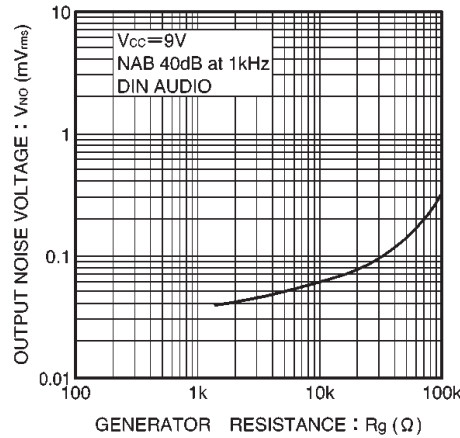


Fig. 18 Output noise voltage vs. generator resistance

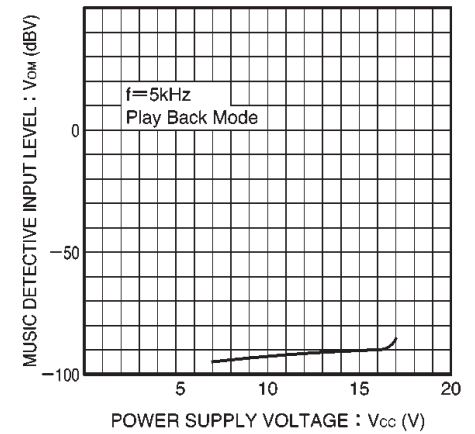


Fig. 19 Music detective input level vs. power supply voltage

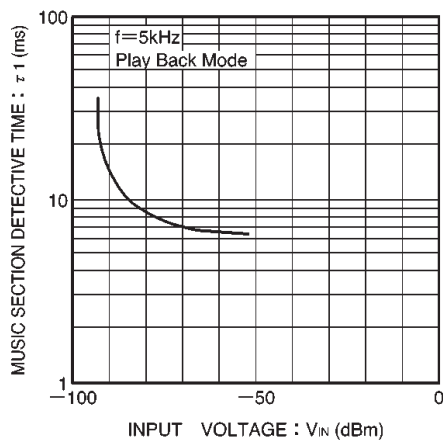


Fig. 20 Music section detective time vs. input voltage

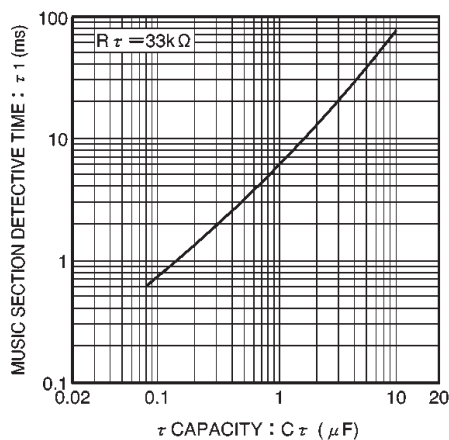


Fig. 21 Music section detective time vs. time constant capacity

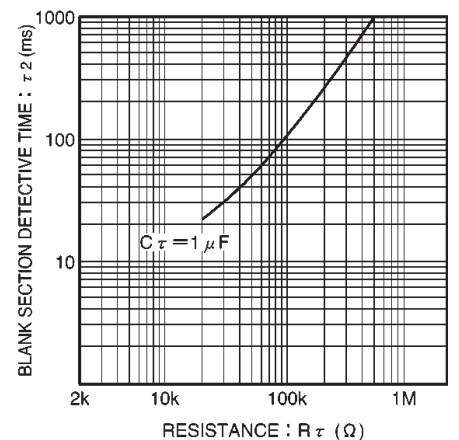


Fig. 22 Blank section detective vs. time constant resistance

●External dimensions (Units: mm)

