

# Double cassette tape recorder dual preamplifier

## BA3416BL

The BA3416BL is a dual preamplifier (for playback only) that has been designed for use with dual-cassette decks. An internal switch is used to switch the left and right channel inputs between the A and B tape mechanisms.

The playback heads can be directly coupled to the preamplifiers without coupling capacitors, and an internal switch is provided to switch the equalizer characteristics for metal and chrome tape.

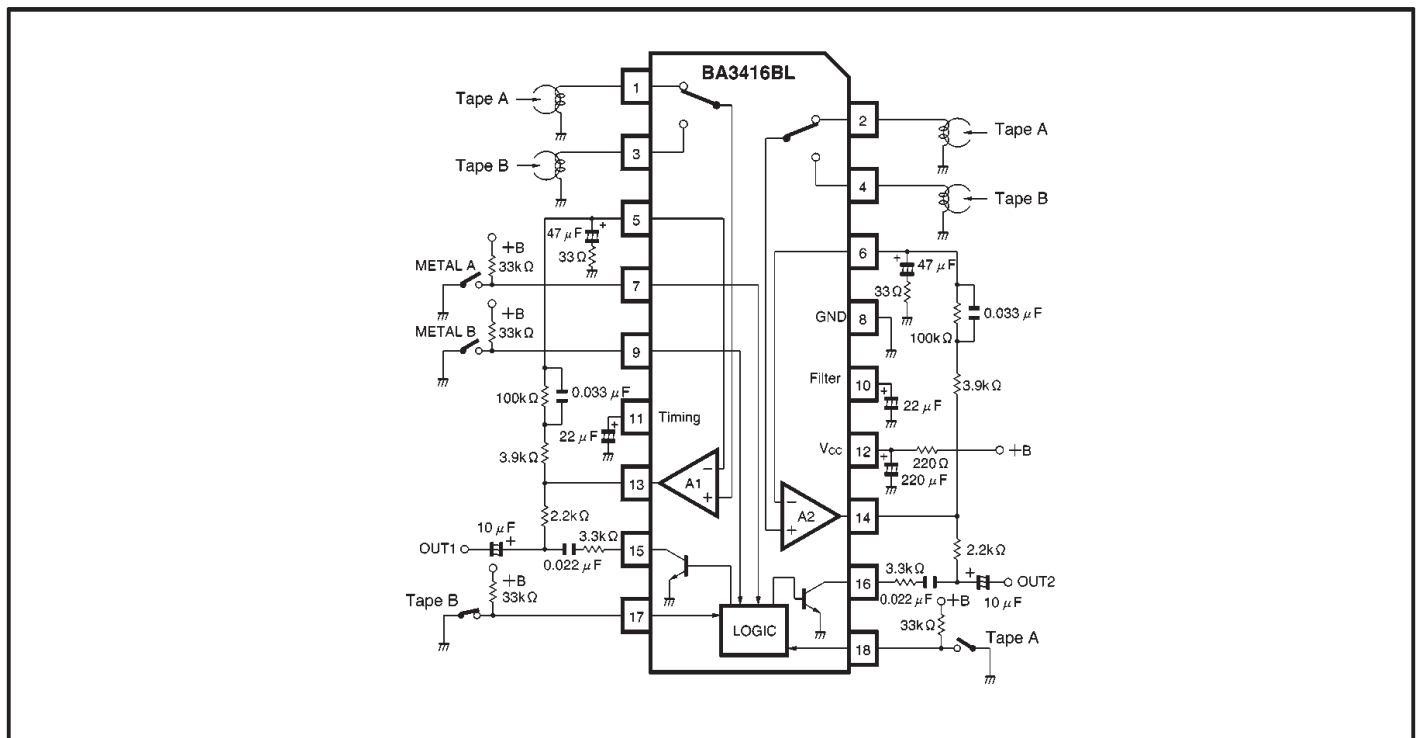
### ●Applications

Dual-deck stereo radio cassette players

### ●Features

- 1) Internal tape A/tape B switch for use with dual-cassette decks.
- 2) Internal switch is provided to switch the equalizer characteristics for metal tape playback.
- 3) Input bias circuit does not require coupling capacitors.
- 4) Wide operating power supply voltage range ( $V_{CC} = 3.5V$  to  $12V$ ).

### ●Block diagram and external component connections



● Absolute maximum ratings (Ta = 25°C)

Parameter	Symbol	Limits	Unit
Power supply voltage	V <sub>CC</sub>	14	V
Power dissipation	P <sub>d</sub>	400 *	mW
Operating temperature	Topr	-25~+75	°C
Storage temperature	Tstg	-55~+125	°C

\* Reduced by 4.0mW for each increase in Ta of 1°C over 25°C.

● Recommended operating conditions (Ta = 25°C)

Parameter	Symbol	Min.	Typ.	Max.	Unit
Power supply voltage	V <sub>CC</sub>	3.5	8	12	V

● Electrical characteristics (unless otherwise noted, Ta = 25°C, V<sub>CC</sub> = 8V, f = 1kHz, OUTPUT = pins 13 and 14)

Parameter	Symbol	Min.	Typ.	Max.	Unit	Conditions
Quiescent current	I <sub>Q</sub>	1.0	2.5	4.0	mA	V <sub>IN</sub> =0V <sub>rms</sub>
Open loop voltage gain	G <sub>VO</sub>	70	84	—	dB	R <sub>L</sub> =10kΩ, V <sub>O</sub> =0dBV
Maximum output voltage	V <sub>OM</sub>	1.0	1.8	—	V <sub>rms</sub>	THD=1%, R <sub>L</sub> =10kΩ
Input conversion noise voltage	V <sub>NIN</sub>	—	1.1	2.0	μV <sub>rms</sub>	R <sub>g</sub> =2.2kΩ, NAB45dB BPF (20Hz~20kHz)
Input resistance	R <sub>IN</sub>	—	130	—	kΩ	—
Channel separation	CS	55	65	—	dB	V <sub>O</sub> =1V <sub>rms</sub>
ChA / ChB crosstalk	CT <sub>AB</sub>	60	70	—	dB	V <sub>O</sub> =1V <sub>rms</sub>
Total harmonic distortion	THD	—	0.08	0.2	%	V <sub>O</sub> =0.5V <sub>rms</sub>

● Tape selection

17pin	18pin	Operating
L	L	TapeB
L	H	TapeA
H	L	TapeB
H	H	Unstable (first pin to go "H" has priority)

●External dimensions (Units: mm)

