

Description

The 74LVC1G32 is a single 2-input positive OR gate with a standard totem pole output. The device is designed for operation with a power supply range of 1.65V to 5.5V. The inputs are tolerant to 5.5V allowing this device to be used in a mixed voltage environment. The device is fully specified for partial power down applications using I_{OFF} . The I_{OFF} circuitry disables the output preventing damaging current backflow when the device is powered down.

The gate performs the positive Boolean function:

$$Y = A + B \text{ or } Y = \overline{\overline{A} \cdot \overline{B}}$$

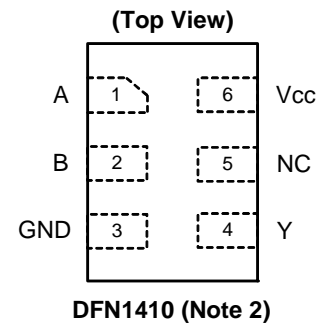
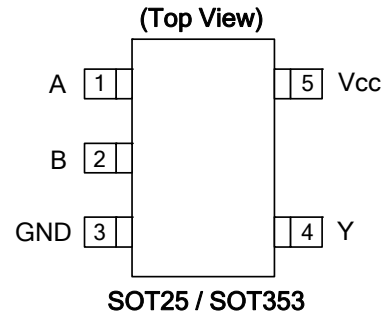
Features

- Wide Supply Voltage Range from 1.65 to 5.5V
- $\pm 24\text{mA}$ Output Drive at 3.3V
- CMOS low power consumption
- I_{OFF} Supports Partial-Power-Down Mode Operation
- Inputs accept up to 5.5V
- ESD Protection Tested per JESD 22
Exceeds 200-V Machine Model (A115-A)
Exceeds 2000-V Human Body Model (A114-A)
- Latch-Up Exceeds 100mA per JESD 78, Class II
- Range of Package Options
- Direct Interface with TTL Levels
- SOT25, SOT353, and DFN1410: Assembled with "Green" Molding Compound (no Br, Sb)
- Lead Free Finish/ RoHS Compliant (Note 1)

Notes: 1. EU Directive 2002/95/EC (RoHS). All applicable RoHS exemptions applied. Please visit our website at http://www.diodes.com/products/lead_free.html.

2. Pin 2 and pin 5 of the DFN1410 package are internally connected.

Pin Assignments



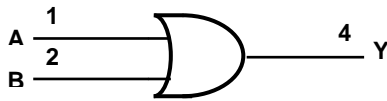
Applications

- Voltage Level Shifting
- General Purpose Logic
- Bus Driver / Repeater
- Power Down Signal Isolation
- General Purpose Logic
- Wide array of products such as.
 - PCs, networking, notebooks, netbooks, PDAs
 - Computer peripherals, hard drives, CD/DVD ROM
 - TV, DVD, DVR, set top box
 - Cell Phones, Personal Navigation / GPS
 - MP3 players, Cameras, Video Recorders

Pin Descriptions

| Pin Name | Description |
|----------|----------------|
| A | Data Input |
| B | Data Input |
| GND | Ground |
| Y | Data Output |
| Vcc | Supply Voltage |
| NC | No Connection |

Logic Diagram



Function Table

| Inputs | | Output |
|--------|---|--------|
| A | B | Y |
| H | X | H |
| X | H | H |
| L | L | L |

Absolute Maximum Ratings (Note 3)

| Symbol | Description | Rating | Unit |
|------------------|---|------------------------------|------|
| ESD HBM | Human Body Model ESD Protection | 2 | KV |
| ESD MM | Machine Model ESD Protection | 200 | V |
| V _{CC} | Supply Voltage Range | -0.5 to 6.5 | V |
| V _I | Input Voltage Range | -0.5 to 6.5 | V |
| V _o | Voltage applied to output in high impedance or I _{OFF} state | -0.5 to 6.5 | V |
| V _o | Voltage applied to output in high or low state. | -0.3 to V _{CC} +0.5 | V |
| I _{IK} | Input Clamp Current V _I <0 | -50 | mA |
| I _{OK} | Output Clamp Current | -50 | mA |
| I _O | Continuous output current | ±50 | mA |
| | Continuous current through V _{dd} or GND | ±100 | mA |
| T _J | Operating Junction Temperature | -40 to 150 | °C |
| T _{STG} | Storage Temperature | -65 to 150 | °C |

Notes: 3. Stresses beyond the absolute maximum may result in immediate failure or reduced reliability. These are stress values and device operation should be within recommend values.

Recommended Operating Conditions (Note 4)

| Symbol | Parameter | | Min | Max | Unit |
|-------------------------|------------------------------------|--|------------------------|------------------------|------|
| V _{CC} | Operating Voltage | Operating | 1.65 | 5.5 | V |
| | | Data retention only | 1.5 | | V |
| V _{IH} | High-level Input Voltage | V _{CC} = 1.65V to 1.95V | 0.65 X V _{CC} | | V |
| | | V _{CC} = 2.3V to 2.7V | 1.7 | | |
| | | V _{CC} = 3V to 3.6V | 2 | | |
| | | V _{CC} = 4.5V to 5.5V | 0.7 X V _{CC} | | |
| V _{IL} | Low-level input voltage | V _{CC} = 1.65V to 1.95V | | 0.35 X V _{CC} | V |
| | | V _{CC} = 2.3V to 2.7V | | 0.7 | |
| | | V _{CC} = 3V to 3.6V | | 0.8 | |
| | | V _{CC} = 4.5V to 5.5V | | 0.3 X V _{CC} | |
| V _I | Input Voltage | | 0 | 5.5 | V |
| V _O | Output Voltage | | 0 | V _{CC} | V |
| I _{OH} | High-level output current | V _{CC} = 1.65V | | -4 | mA |
| | | V _{CC} = 2.3V | | -8 | |
| | | V _{CC} = 3V | | -16 | |
| | | | | -24 | |
| V _{CC} = 4.5V | | -32 | | | |
| I _{OL} | Low-level output current | V _{CC} = 1.65V | | 4 | mA |
| | | V _{CC} = 2.3V | | 8 | |
| | | V _{CC} = 3V | | 16 | |
| | | | | 24 | |
| V _{CC} = 4.5 V | | 32 | | | |
| Δt/ΔV | Input transition rise or fall rate | V _{CC} = 1.8 V ± 0.15V, 2.5 V ± 0.2 V | | 20 | ns/V |
| | | V _{CC} = 3.3 V ± 0.3 V | | 10 | |
| | | V _{CC} = 5 V ± 0.5 V | | 5 | |
| T _A | Operating free-air temperature | | -40 | 85 | °C |

Notes: 4. Unused inputs should be held at V_{CC} or Ground.

Electrical Characteristics (All typical values are at $V_{CC} = 3.3V$, $T_A = 25^\circ C$)

Over recommended free-air temperature range (unless otherwise noted)

| Symbol | Parameter | Test Conditions | Vcc | Min | Typ. | Max | Unit |
|-----------------|--|---|---------------|----------------|------|----------|--------------|
| V_{OH} | High Level Output Voltage | $I_{OH} = -100\mu A$ | 1.65V to 5.5V | $V_{CC} - 0.1$ | | | V |
| | | $I_{OH} = -4mA$ | 1.65V | 1.2 | | | |
| | | $I_{OH} = -8mA$ | 2.3V | 1.9 | | | |
| | | $I_{OH} = -16mA$ | 3V | 2.4 | | | |
| | | $I_{OH} = -24mA$ | | 2.3 | | | |
| | | $I_{OH} = -32mA$ | 4.5V | 3.8 | | | |
| V_{OL} | High-level Input Voltage | $I_{OL} = 100\mu A$ | 1.65V to 5.5V | | | 0.1 | V |
| | | $I_{OL} = 4mA$ | 1.65V | | | 0.45 | |
| | | $I_{OL} = 8mA$ | 2.3V | | | 0.3 | |
| | | $I_{OL} = 16mA$ | 3V | | | 0.4 | |
| | | $I_{OL} = 24mA$ | | | | 0.55 | |
| | | $I_{OL} = 32mA$ | 4.5V | | | 0.55 | |
| I_I | Input Current | $V_I = 5.5 V$ or GND | 0 to 5.5V | | | ± 5 | μA |
| I_{OFF} | Power Down Leakage Current | V_I or $V_O = 5.5V$ | 0 | | | ± 10 | μA |
| I_{CC} | Supply Current | $V_I = 5.5V$ of GND $I_O = 0$ | 1.65V to 5.5V | | | 10 | μA |
| ΔI_{CC} | Additional Supply Current | One input at $V_{CC} - 0.6 V$ Other inputs at V_{CC} or GND | 3V to 5.5V | | | 500 | μA |
| C_i | Input Capacitance | $V_i = V_{CC}$ – or GND | 3.3 | | 4 | | pF |
| θ_{JA} | Thermal Resistance Junction-to-Ambient | SOT25 | (Note 5) | | 204 | | $^\circ C/W$ |
| | | SOT353 | (Note 5) | | 371 | | $^\circ C/W$ |
| | | DFN1410 | (Note 5) | | 430 | | $^\circ C/W$ |
| θ_{JC} | Thermal Resistance Junction-to-Case | SOT25 | (Note 5) | | 52 | | $^\circ C/W$ |
| | | SOT353 | (Note 5) | | 143 | | $^\circ C/W$ |
| | | DFN1410 | (Note 5) | | 190 | | $^\circ C/W$ |

Notes: 5. Test condition for SOT25, SOT353, and DFN1410: Device mounted on FR-4 substrate PC board, 2oz copper, with minimum recommended pad layout.

Switching Characteristics

Over recommended free-air temperature range, CL = 15pF (see Figure 1)

| Parameter | From (Input) | TO (OUTPUT) | Vcc = 1.8 V ± 0.15V | | Vcc = 2.5 V ± 0.2V | | Vcc = 3.3 V ± 0.3V | | Vcc = 5 V ± 0.5V | | Unit |
|-----------------|--------------|-------------|---------------------|-----|--------------------|-----|--------------------|-----|------------------|-----|------|
| | | | Min | Max | Min | Max | Min | Max | Min | Max | |
| t _{pd} | A or B | Y | 1.9 | 7.2 | 0.8 | 4.4 | 0.8 | 3.6 | 0.8 | 3.4 | ns |

Over recommended free-air temperature range, CL = 30 or 50pF as noted (see Figure 2)

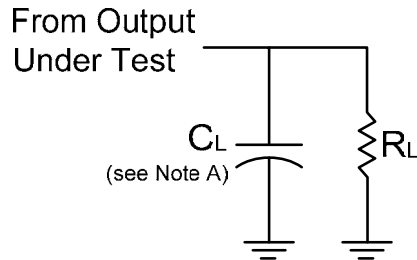
| Parameter | From (Input) | TO (OUTPUT) | Vcc = 1.8 V ± 0.15V | | Vcc = 2.5 V ± 0.2V | | Vcc = 3.3 V ± 0.3V | | Vcc = 5 V ± 0.5V | | Unit |
|-----------------|--------------|-------------|---------------------|-----|--------------------|-----|--------------------|-----|------------------|-----|------|
| | | | Min | Max | Min | Max | Min | Max | Min | Max | |
| t _{pd} | A or B | Y | 2.8 | 8.0 | 1.2 | 5.5 | 1.0 | 4.5 | 1.0 | 4.0 | ns |

Operating Characteristics

T_A = 25 °C

| Parameter | | Test Conditions | Vcc = 1.8 V | Vcc = 2.5 V | Vcc = 3.3 V | Vcc = 5 V | Unit |
|-----------------|-------------------------------|-----------------|-------------|-------------|-------------|-----------|------|
| | | | TYP | TYP | TYP | TYP | |
| C _{pd} | Power dissipation capacitance | f = 10 MHz | 20 | 20 | 21 | 22 | pF |

Parameter Measurement Information



| V _{CC} | Inputs | | V _M | C _L | R _L |
|-----------------|-----------------|--------------------------------|--------------------|----------------|----------------|
| | V _I | t _r /t _f | | | |
| 1.8V±0.15V | V _{CC} | ≤2ns | V _{CC} /2 | 15pF | 1MΩ |
| 2.5V±0.2V | V _{CC} | ≤2ns | V _{CC} /2 | 15pF | 1MΩ |
| 3.3V±0.3V | 3V | ≤2.5ns | 1.5V | 15pF | 1MΩ |
| 5V±0.5V | V _{CC} | ≤2.5ns | V _{CC} /2 | 15pF | 1MΩ |

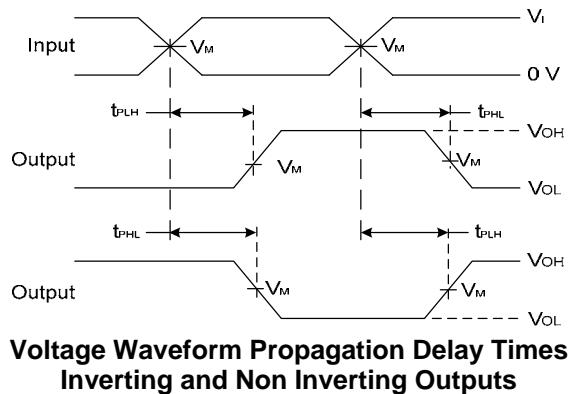
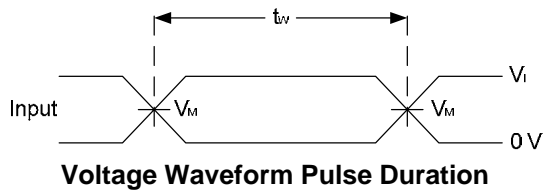
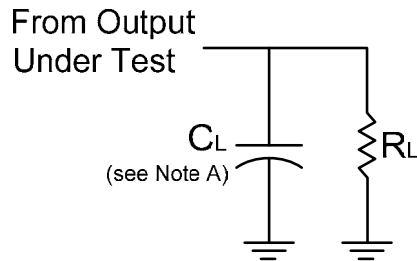


Figure 1. Load Circuit and Voltage Waveforms

- Notes:
- A. Includes test lead and test apparatus capacitance.
 - B. All pulses are supplied at pulse repetition rate ≤ 10 MHz.
 - C. Inputs are measured separately one transition per measurement.
 - D. t_{PLH} and t_{PHL} are the same as t_{PD}.

Parameter Measurement Information (Continued)



| V _{CC} | Inputs | | V _M | C _L | R _L |
|-----------------|-----------------|--------------------------------|--------------------|----------------|----------------|
| | V _I | t _r /t _f | | | |
| 1.8V±0.15V | V _{CC} | ≤2ns | V _{CC} /2 | 30pF | 1KΩ |
| 2.5V±0.2V | V _{CC} | ≤2ns | V _{CC} /2 | 30pF | 500Ω |
| 3.3V±0.3V | 3V | ≤2.5ns | 1.5V | 50pF | 500Ω |
| 5V±0.5V | V _{CC} | ≤2.5ns | V _{CC} /2 | 50pF | 500Ω |

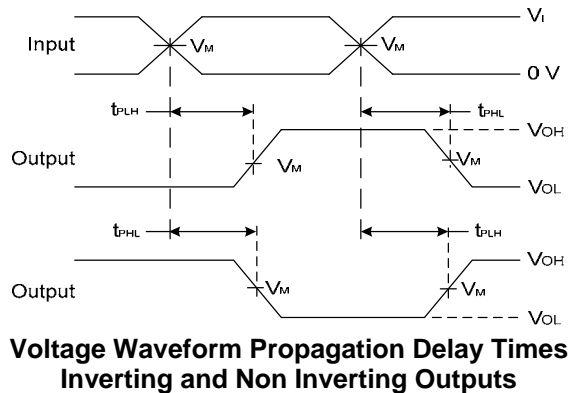
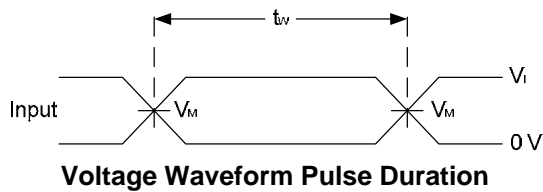
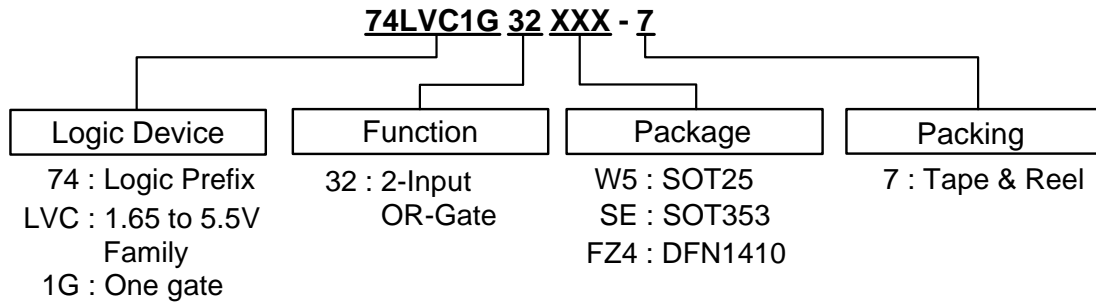


Figure 2. Load Circuit and Voltage Waveforms

- Notes:
- A. Includes test lead and test apparatus capacitance.
 - B. All pulses are supplied at pulse repetition rate ≤ 10 MHz.
 - C. Inputs are measured separately one transition per measurement.
 - D. t_{PLH} and t_{PHL} are the same as t_{PD}.

Ordering Information



| Device | Package Code | Packaging (Note 6) | 7" Tape and Reel | |
|----------------|--------------|--------------------|------------------|--------------------|
| | | | Quantity | Part Number Suffix |
| 74LVC1G32W5-7 | W5 | SOT25 | 3000/Tape & Reel | -7 |
| 74LVC1G32SE-7 | SE | SOT353 | 3000/Tape & Reel | -7 |
| 74LVC1G32FZ4-7 | FZ4 | DFN1410 | 5000/Tape & Reel | -7 |



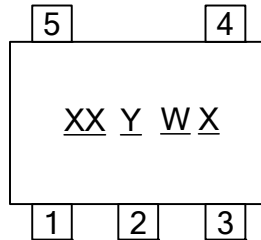
Notes: 6. Pad layout as shown on Diodes Inc. suggested pad layout document AP02001, which can be found on our website at <http://www.diodes.com/datasheets/ap02001.pdf>.

NEW PRODUCT

Marking Information

(1) SOT25 and SOT353

(Top View)

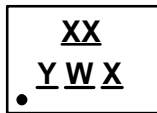


XX : Identification code
Y : Year 0~9
W : Week : A~Z : 1~26 week;
 a~z : 27~52 week; z represents
 52 and 53 week
X : A~Z : Internal code

| Part Number | Package | Identification Code |
|-------------|---------|---------------------|
| 74LVC1G32W5 | SOT25 | UW |
| 74LVC1G32SE | SOT353 | UW |

(2) DFN1410

(Top View)

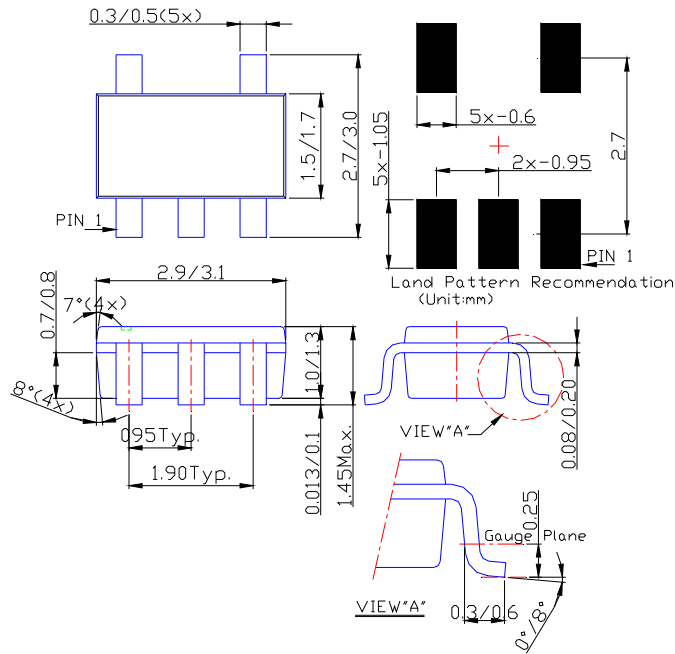


XX : Identification Code
Y : Year : 0~9
W : Week : A~Z : 1~26 week;
 a~z : 27~52 week; z represents
 52 and 53 week
X : A~Z : Internal code

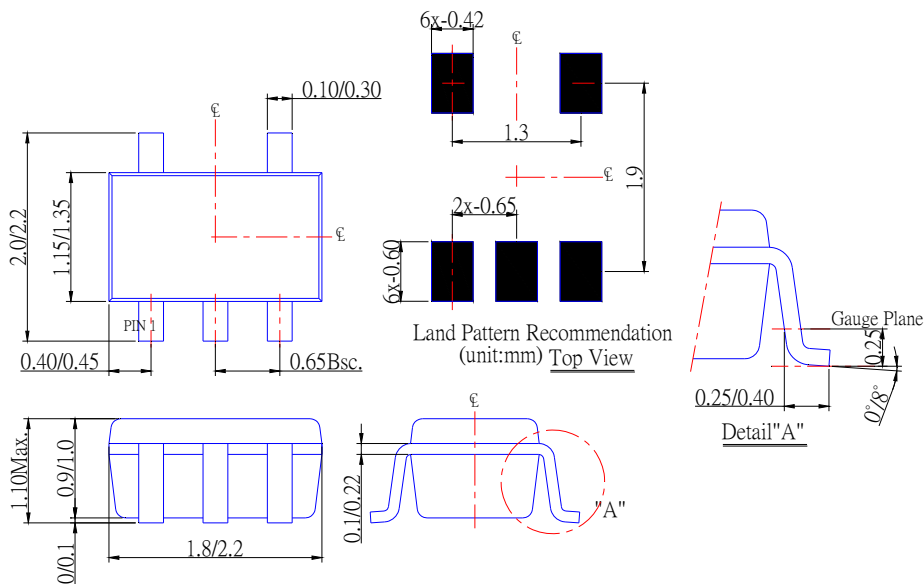
| Part Number | Package | Identification Code |
|--------------|---------|---------------------|
| 74LVC1G32FZ4 | DFN1410 | UW |

Package Outline Dimensions (All Dimensions in mm)

(1) Package Type: SOT25

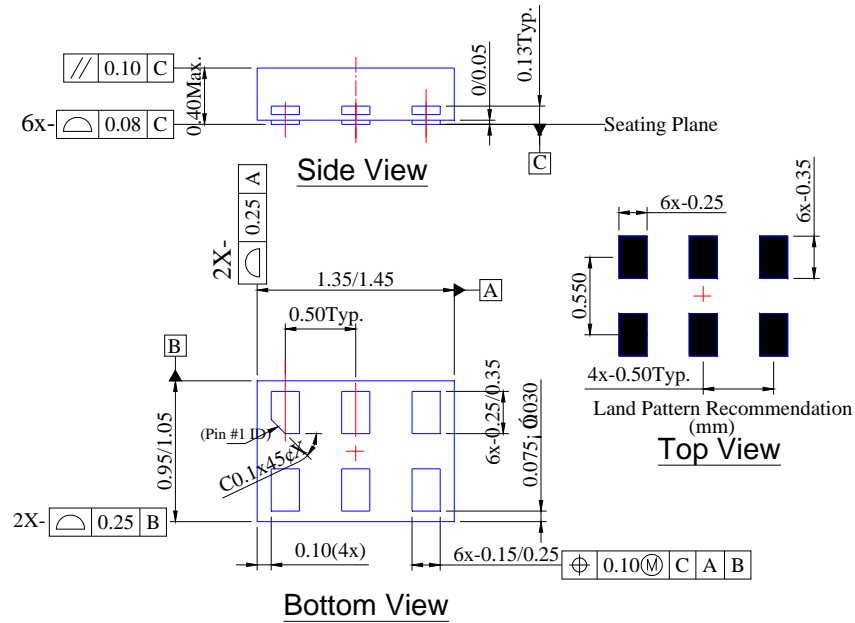


(2) Package Type: SOT353



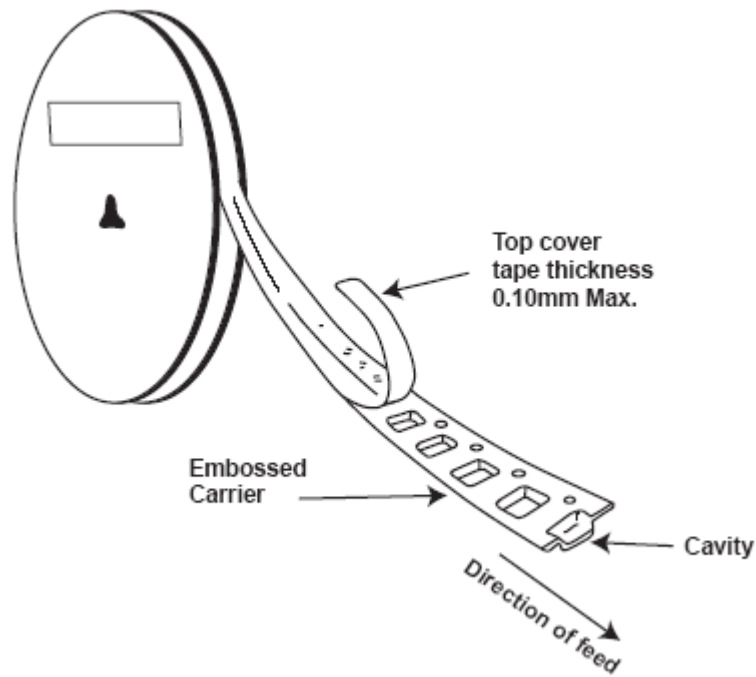
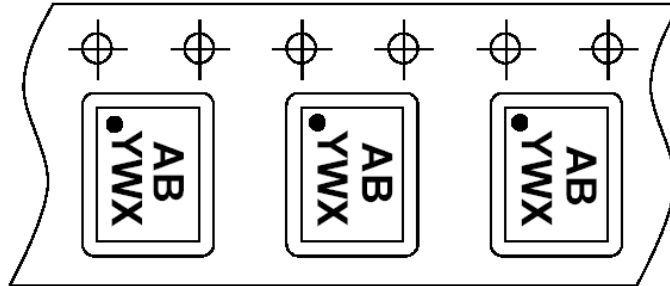
Package Outline Dimensions (Continued)

(3) Package Type: DFN1410



Taping Orientation (Note 7)

For DFN1410



Notes: 7. The taping orientation of the other package type can be found on our website at <http://www.diodes.com/datasheets/ap02007.pdf>

NEW PRODUCT

IMPORTANT NOTICE

DIODES INCORPORATED MAKES NO WARRANTY OF ANY KIND, EXPRESS OR IMPLIED, WITH REGARDS TO THIS DOCUMENT, INCLUDING, BUT NOT LIMITED TO, THE IMPLIED WARRANTIES OF MERCHANTABILITY AND FITNESS FOR A PARTICULAR PURPOSE (AND THEIR EQUIVALENTS UNDER THE LAWS OF ANY JURISDICTION).

Diodes Incorporated and its subsidiaries reserve the right to make modifications, enhancements, improvements, corrections or other changes without further notice to this document and any product described herein. Diodes Incorporated does not assume any liability arising out of the application or use of this document or any product described herein; neither does Diodes Incorporated convey any license under its patent or trademark rights, nor the rights of others. Any Customer or user of this document or products described herein in such applications shall assume all risks of such use and will agree to hold Diodes Incorporated and all the companies whose products are represented on Diodes Incorporated website, harmless against all damages.

Diodes Incorporated does not warrant or accept any liability whatsoever in respect of any products purchased through unauthorized sales channel.

Should Customers purchase or use Diodes Incorporated products for any unintended or unauthorized application, Customers shall indemnify and hold Diodes Incorporated and its representatives harmless against all claims, damages, expenses, and attorney fees arising out of, directly or indirectly, any claim of personal injury or death associated with such unintended or unauthorized application.

Products described herein may be covered by one or more United States, international or foreign patents pending. Product names and markings noted herein may also be covered by one or more United States, international or foreign trademarks.

LIFE SUPPORT

Diodes Incorporated products are specifically not authorized for use as critical components in life support devices or systems without the express written approval of the Chief Executive Officer of Diodes Incorporated. As used herein:

A. Life support devices or systems are devices or systems which:

1. are intended to implant into the body, or
2. support or sustain life and whose failure to perform when properly used in accordance with instructions for use provided in the labeling can be reasonably expected to result in significant injury to the user.

B. A critical component is any component in a life support device or system whose failure to perform can be reasonably expected to cause the failure of the life support device or to affect its safety or effectiveness.

Customers represent that they have all necessary expertise in the safety and regulatory ramifications of their life support devices or systems, and acknowledge and agree that they are solely responsible for all legal, regulatory and safety-related requirements concerning their products and any use of Diodes Incorporated products in such safety-critical, life support devices or systems, notwithstanding any devices- or systems-related information or support that may be provided by Diodes Incorporated. Further, Customers must fully indemnify Diodes Incorporated and its representatives against any damages arising out of the use of Diodes Incorporated products in such safety-critical, life support devices or systems.

Copyright © 2010, Diodes Incorporated

www.diodes.com