



CYPRESS

# CY7C4255V/CY7C4265V CY7C4275V/CY7C4285V

## 32K/64Kx18 Low Voltage Deep Sync FIFOs

### Features

- 3.3V operation for low power consumption and easy integration into low-voltage systems
- High-speed, low-power, first-in first-out (FIFO) memories
- 8K x 18 (CY7C4255V)
- 16K x 18 (CY7C4265V)
- 32K x 18 (CY7C4275V)
- 64K x 18 (CY7C4285V)
- 0.35 micron CMOS for optimum speed/power
- High-speed 100-MHz operation (10-ns read/write cycle times)
- Low power
  - $I_{CC} = 30 \text{ mA}$
  - $I_{SB} = 4 \text{ mA}$
- Fully asynchronous and simultaneous read and write operation
- Empty, Full, Half Full, and programmable Almost Empty and Almost Full status flags
- Retransmit function
- Output Enable (OE) pin
- Independent read and write enable pins
- Supports free-running 50% duty cycle clock inputs
- Width Expansion Capability
- Depth Expansion Capability
- 64-pin 10x10 STQFP
- Pin-compatible density upgrade to CY7C42X5V-ASC families
- Pin-compatible 3.3V solutions for CY7C4255/65/75/85

### Functional Description

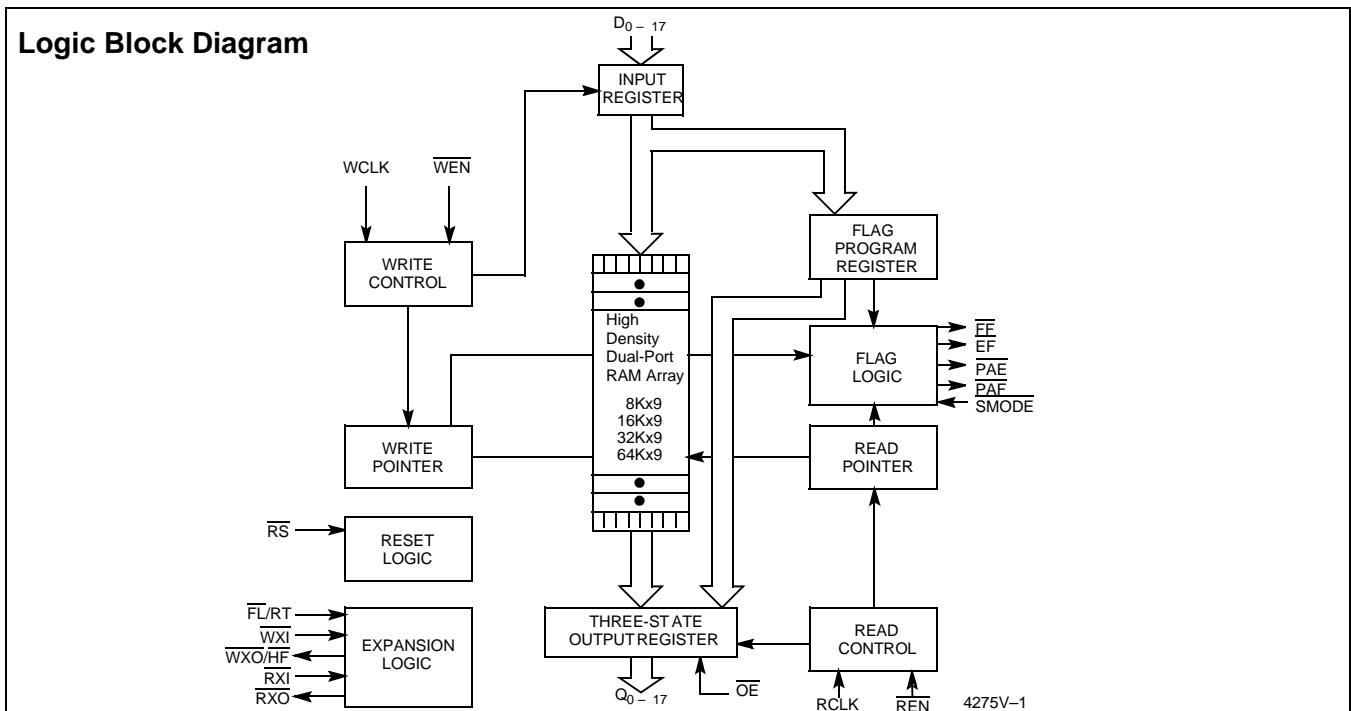
The CY7C4255/65/75/85V are high-speed, low-power, first-in first-out (FIFO) memories with clocked read and write interfaces. All are 18 bits wide and are pin/functionally compatible to the CY7C42X5V Synchronous FIFO family. The CY7C4255/65/75/85V can be cascaded to increase FIFO depth. Programmable features include Almost Full/Almost Empty flags. These FIFOs provide solutions for a wide variety of data buffering needs, including high-speed data acquisition, multiprocessor interfaces, and communications buffering.

These FIFOs have 18-bit input and output ports that are controlled by separate clock and enable signals. The input port is controlled by a free-running clock (WCLK) and a write enable pin (WEN).

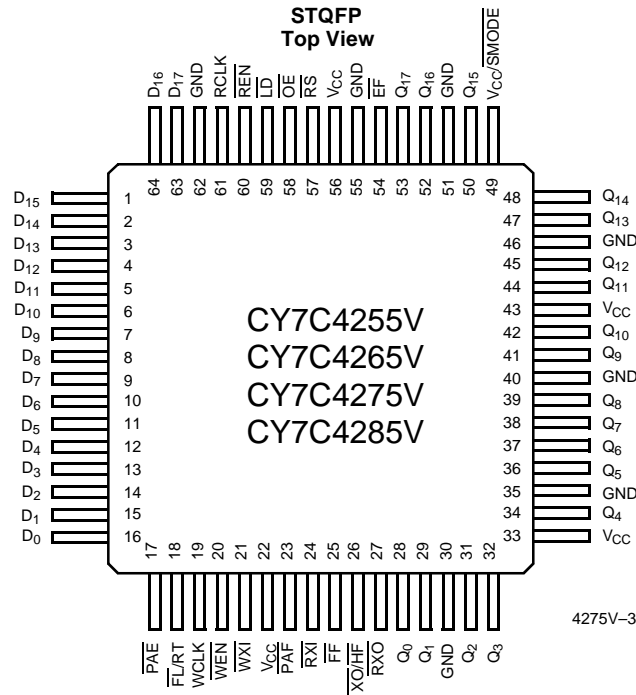
When  $\overline{WEN}$  is asserted, data is written into the FIFO on the rising edge of the WCLK signal. While WEN is held active, data is continually written into the FIFO on each cycle. The output port is controlled in a similar manner by a free-running read clock (RCLK) and a read enable pin (REN). In addition, the CY7C4255/65/75/85V have an output enable pin (OE). The read and write clocks may be tied together for single-clock operation or the two clocks may be run independently for asynchronous read/write applications. Clock frequencies up to 67 MHz are achievable.

Retransmit and Synchronous Almost Full/Almost Empty flag features are available on these devices.

Depth expansion is possible using the cascade input ( $\overline{WXI}$ ,  $\overline{RXI}$ ), cascade output ( $\overline{WXO}$ ,  $\overline{RXO}$ ), and First Load ( $\overline{FL}$ ) pins. The  $\overline{WXO}$  and  $\overline{RXO}$  pins are connected to the  $\overline{WXI}$  and  $\overline{RXI}$  pins of the next device, and the  $\overline{WXO}$  and  $\overline{RXO}$  pins of the last device should be connected to the  $\overline{WXI}$  and  $\overline{RXI}$  pins of the first device. The  $\overline{FL}$  pin of the first device is tied to  $V_{SS}$  and the  $\overline{FL}$  pin of all the remaining devices should be tied to  $V_{CC}$ .



## Pin Configuration



### Functional Description (continued)

The CY7C4255/65/75/85V provides five status pins. These pins are decoded to determine one of five states: Empty, Almost Empty, Half Full, Almost Full, and Full (see *Table 2*). The Half Full flag shares the  $\overline{WXO}$  pin. This flag is valid in the stand-alone and width-expansion configurations. In the depth expansion, this pin provides the expansion out ( $\overline{WXO}$ ) information that is used to signal the next FIFO when it will be activated.

The Empty and Full flags are synchronous, i.e., they change state relative to either the read clock (RCLK) or the write clock (WCLK). When entering or exiting the Empty states, the flag is updated exclusively by the RCLK. The flag denoting Full states is updated exclusively by WCLK. The synchronous flag architecture guarantees that the flags will remain valid from one clock cycle to the next. The Almost Empty/Almost Full flags become synchronous if the  $V_{CC}/SMODE$  is tied to  $V_{SS}$ . All configurations are fabricated using an advanced  $0.35\mu$  CMOS technology. Input ESD protection is greater than 2001V, and latch-up is prevented by the use of guard rings.

### Selection Guide

		7C4255/65/75/85V-10	7C4255/65/75/85V-15	7C4255/65/75/85V-25
Maximum Frequency (MHz)		100	66.7	40
Maximum Access Time (ns)		8	10	15
Minimum Cycle Time (ns)		10	15	25
Minimum Data or Enable Set-Up (ns)		3.5	4	6
Minimum Data or Enable Hold (ns)		0	0	1
Maximum Flag Delay (ns)		8	10	15
Active Power Supply Current ( $I_{CC1}$ ) (mA)	Commercial	30	30	30
	Industrial		35	

	CY7C4255V	CY7C4265V	CY7C4275V	CY7C4285V
Density	8K x 18	16K x 18	32K x 18	64K x 18
Package	64-pin 10x10 TQFP	64-pin 10x10 TQFP	64-pin 10x10 TQFP	64-pin 10x10 TQFP

**Pin Definitions**

Signal Name	Description	I/O	Function
D <sub>0-17</sub>	Data Inputs	I	Data inputs for an 18-bit bus.
Q <sub>0-17</sub>	Data Outputs	O	Data outputs for an 18-bit bus.
$\overline{WEN}$	Write Enable	I	Enables the WCLK input.
$\overline{REN}$	Read Enable	I	Enables the RCLK input.
WCLK	Write Clock	I	The rising edge clocks data into the FIFO when $\overline{WEN}$ is LOW and the FIFO is not Full. When LD is asserted, WCLK writes data into the programmable flag-offset register.
RCLK	Read Clock	I	The rising edge clocks data out of the FIFO when $\overline{REN}$ is LOW and the FIFO is not Empty. When LD is asserted, RCLK reads data out of the programmable flag-offset register.
$\overline{WXO}/\overline{HF}$	Write Expansion Out/Half Full Flag	O	Dual-Mode Pin: Single device or width expansion – Half Full status flag. Cascaded – Write Expansion Out signal, connected to $\overline{WXI}$ of next device.
$\overline{EF}$	Empty Flag	O	When $\overline{EF}$ is LOW, the FIFO is empty. $\overline{EF}$ is synchronized to RCLK.
$\overline{FF}$	Full Flag	O	When $\overline{FF}$ is LOW, the FIFO is full. $\overline{FF}$ is synchronized to WCLK.
$\overline{PAE}$	Programmable Almost Empty	O	When $\overline{PAE}$ is LOW, the FIFO is almost empty based on the almost-empty offset value programmed into the FIFO. $\overline{PAE}$ is asynchronous when $V_{CC}/\overline{SMODE}$ is tied to $V_{CC}$ ; it is synchronized to RCLK when $V_{CC}/\overline{SMODE}$ is tied to $V_{SS}$ .
$\overline{PAF}$	Programmable Almost Full	O	When $\overline{PAF}$ is LOW, the FIFO is almost full based on the almost full offset value programmed into the FIFO. $\overline{PAF}$ is asynchronous when $V_{CC}/\overline{SMODE}$ is tied to $V_{CC}$ ; it is synchronized to WCLK when $V_{CC}/\overline{SMODE}$ is tied to $V_{SS}$ .
$\overline{LD}$	Load	I	When $\overline{LD}$ is LOW, D <sub>0-17</sub> (Q <sub>0-17</sub> ) are written (read) into (from) the programmable-flag-offset register.
$\overline{FL}/\overline{RT}$	First Load/Retransmit	I	Dual-Mode Pin: Cascaded – The first device in the daisy chain will have $\overline{FL}$ tied to $V_{SS}$ ; all other devices will have $\overline{FL}$ tied to $V_{CC}$ . In standard mode or width expansion, $\overline{FL}$ is tied to $V_{SS}$ on all devices. Not Cascaded – Tied to $V_{SS}$ . Retransmit function is also available in stand-alone mode by strobing RT.
$\overline{WXI}$	Write Expansion Input	I	Cascaded – Connected to $\overline{WXO}$ of previous device. Not Cascaded – Tied to $V_{SS}$ .
$\overline{RXI}$	Read Expansion Input	I	Cascaded – Connected to $\overline{RXO}$ of previous device. Not Cascaded – Tied to $V_{SS}$ .
$\overline{RXO}$	Read Expansion Output	O	Cascaded – Connected to $\overline{RXI}$ of next device.
$\overline{RS}$	Reset	I	Resets device to empty condition. A reset is required before an initial read or write operation after power-up.
$\overline{OE}$	Output Enable	I	When $\overline{OE}$ is LOW, the FIFO's data outputs drive the bus to which they are connected. If $\overline{OE}$ is HIGH, the FIFO's outputs are in High Z (high-impedance) state.
$V_{CC}/\overline{SMODE}$	Synchronous Almost Empty/Almost Full Flags	I	Dual-Mode Pin: Asynchronous Almost Empty/Almost Full flags – tied to $V_{CC}$ . Synchronous Almost Empty/Almost Full flags – tied to $V_{SS}$ . (Almost Empty synchronized to RCLK, Almost Full synchronized to WCLK.)



**Maximum Ratings<sup>[1]</sup>**

(Above which the useful life may be impaired. For user guidelines, not tested.)

- Storage Temperature ..... -65°C to +150°C
- Ambient Temperature with Power Applied..... -55°C to +125°C
- Supply Voltage to Ground Potential ..... -0.5V to V<sub>CC</sub>+0.5V
- DC Voltage Applied to Outputs in High Z State ..... -0.5V to V<sub>CC</sub>+0.5V
- DC Input Voltage ..... -0.5V to V<sub>CC</sub>+0.5V

- Output Current into Outputs (LOW)..... 20 mA
- Static Discharge Voltage..... >2001V (per MIL-STD-883, Method 3015)
- Latch-Up Current..... >200 mA

**Operating Range**

Range	Ambient Temperature	V <sub>CC</sub> <sup>[3]</sup>
Commercial	0°C to +70°C	3.3V ±300 mV
Industrial <sup>[2]</sup>	-40°C to +85°C	3.3V ±300 mV

**Electrical Characteristics Over the Operating Range<sup>[4]</sup>**

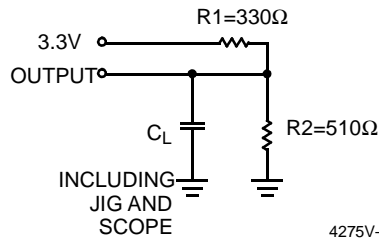
Parameter	Description	Test Conditions	7C4255/65/75/85V-10		7C4255/65/75/85V-15		7C4255/65/75/85V-25		Unit
			Min.	Max.	Min.	Max.	Min.	Max.	
V <sub>OH</sub>	Output HIGH Voltage	V <sub>CC</sub> = Min., I <sub>OH</sub> = -1.0 mA V <sub>CC</sub> = 3.0V, I <sub>OH</sub> = -2.0 mA	2.4		2.4		2.4		V
V <sub>OL</sub>	Output LOW Voltage	V <sub>CC</sub> = Min., I <sub>OL</sub> = 4.0 mA V <sub>CC</sub> = 3.0V., I <sub>OL</sub> = 8.0 mA		0.4		0.4		0.4	V
V <sub>IH</sub> <sup>[5]</sup>	Input HIGH Voltage		2.0	V <sub>CC</sub>	2.0	V <sub>CC</sub>	2.0	V <sub>CC</sub>	V
V <sub>IL</sub> <sup>[5]</sup>	Input LOW Voltage		-0.5	0.8	-0.5	0.8	-0.5	0.8	V
I <sub>IX</sub>	Input Leakage Current	V <sub>CC</sub> = Max.	-10	+10	-10	+10	-10	+10	µA
I <sub>OZL</sub> I <sub>OZH</sub>	Output OFF, High Z Current	OE ≥ V <sub>IH</sub> , V <sub>SS</sub> < V <sub>O</sub> < V <sub>CC</sub>	-10	+10	-10	+10	-10	+10	µA
I <sub>CC1</sub> <sup>[6]</sup>	Active Power Supply Current		Com'l	30		30		30	mA
			Ind				35		mA
I <sub>SB</sub> <sup>[7]</sup>	Average Standby Current		Com'l	4		4		4	mA
			Ind				4		mA

**Capacitance<sup>[8]</sup>**

Parameter	Description	Test Conditions	Max.	Unit
C <sub>IN</sub>	Input Capacitance	T <sub>A</sub> = 25°C, f = 1 MHz, V <sub>CC</sub> = 3.3V	5	pF
C <sub>OUT</sub>	Output Capacitance		7	pF

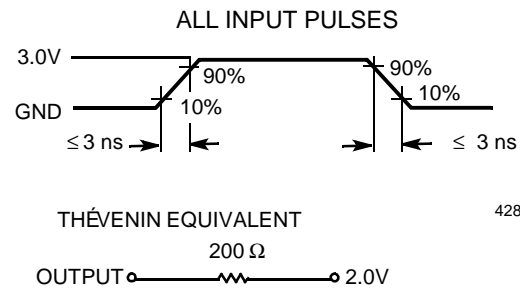
**Notes:**

1. The Voltage on any input or I/O pin cannot exceed the power pin during power-up.
2. T<sub>A</sub> is the "instant on" case temperature.
3. V<sub>CC</sub> range for commercial -10 ns is 3.3V ±150mV.
4. See the last page of this specification for Group A subgroup testing information.
5. The V<sub>IH</sub> and V<sub>IL</sub> specifications apply for all inputs except WXI, RXI. The WXI, RXI pin is not a TTL input. It is connected to either  $\overline{RXO}$ ,  $\overline{WXO}$  of the previous device or V<sub>SS</sub>.
6. Input signals switch from 0V to 3V with a rise/fall time of less than 3 ns, clocks and clock enables switch at 20 MHz, while data inputs switch at 10 MHz. Outputs are unloaded.
7. All inputs = V<sub>CC</sub> - 0.2V, except RCLK and WCLK (which are at frequency = 0 MHz), and  $\overline{FL/RT}$  which is at V<sub>SS</sub>. All outputs are unloaded.
8. Tested initially and after any design changes that may affect these parameters.

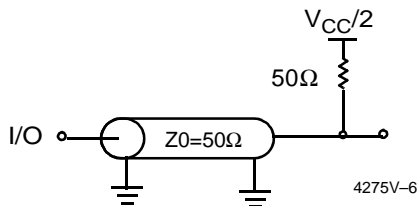
**AC Test Loads and Waveforms (-15 -25)<sup>[9, 10]</sup>**


4275V-4

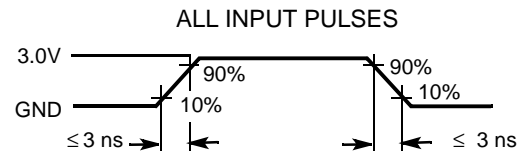
Equivalent to:



4287V-5

**AC Test Loads and Waveforms (-10)**


4275V-6



4275V-7

**Switching Characteristics Over the Operating Range**

Parameter	Description	7C4255/65/75/85V -10		7C4255/65/75/85V -15		7C4255/65/75/85V -25		Unit
		Min.	Max.	Min.	Max.	Min.	Max.	
$t_S$	Clock Cycle Frequency		100		66.7		40	MHz
$t_A$	Data Access Time	2	8	2	10	2	15	ns
$t_{CLK}$	Clock Cycle Time	10		15		25		ns
$t_{CLKH}$	Clock HIGH Time	4.5		6		10		ns
$t_{CLKL}$	Clock LOW Time	4.5		6		10		ns
$t_{DS}$	Data Set-Up Time	3.5		4		6		ns
$t_{DH}$	Data Hold Time	0		0		1		ns
$t_{ENS}$	Enable Set-Up Time	3.5		4		6		ns
$t_{ENH}$	Enable Hold Time	0		0		1		ns
$t_{RS}$	Reset Pulse Width <sup>[11]</sup>	10		15		25		ns
$t_{RSR}$	Reset Recovery Time	8		10		15		ns
$t_{RSF}$	Reset to Flag and Output Time		10		15		25	ns
$t_{PRT}$	Retransmit Pulse Width	60		60		60		ns
$t_{RTR}$	Retransmit Recovery Time	90		90		90		ns
$t_{OLZ}$	Output Enable to Output in Low Z <sup>[12]</sup>	0		0		0		ns
$t_{OE}$	Output Enable to Output Valid	3	7	3	10	3	12	ns

**Notes:**

9.  $C_L = 30$  pF for all AC parameters except for  $t_{OHZ}$ .
10.  $C_L = 5$  pF for  $t_{OHZ}$ .
11. Pulse widths less than minimum values are not allowed.
12. Values guaranteed by design, not currently tested.

**Switching Characteristics** Over the Operating Range (continued)

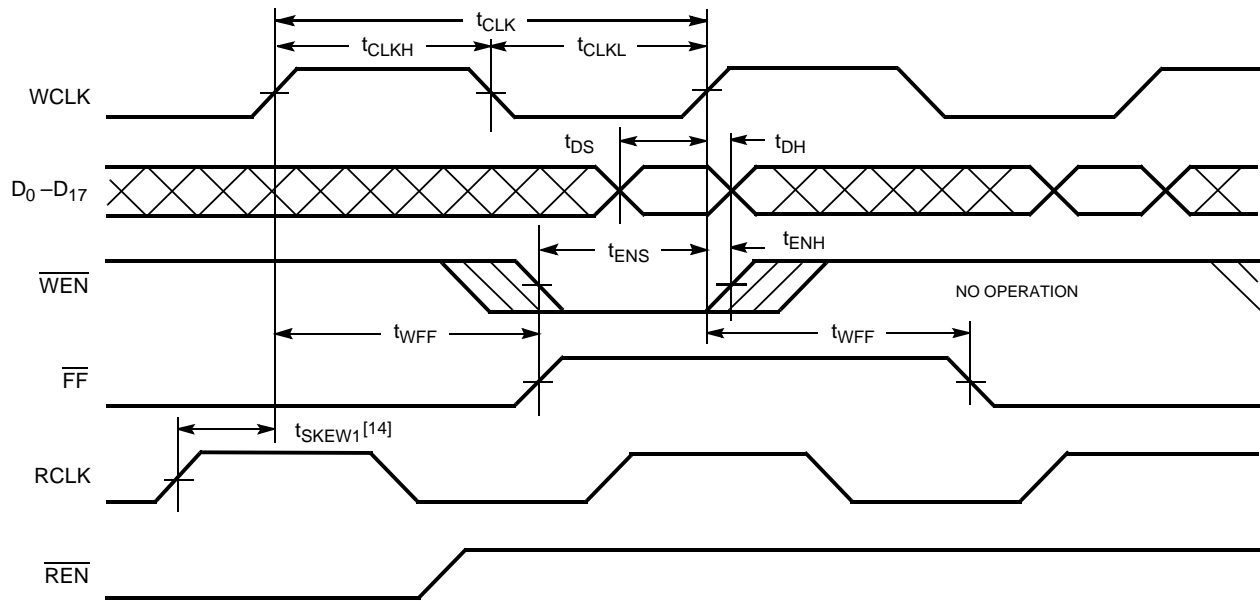
Parameter	Description	7C4255/65/75/85V -10		7C4255/65/75/85V -15		7C4255/65/75/85V -25		Unit
		Min.	Max.	Min.	Max.	Min.	Max.	
t <sub>OZH</sub>	Output Enable to Output in High Z <sup>[12]</sup>	3	7	3	8	3	12	ns
t <sub>WFF</sub>	Write Clock to Full Flag		8		10		15	ns
t <sub>REF</sub>	Read Clock to Empty Flag		8		10		15	ns
t <sub>PAFasynch</sub>	Clock to Programmable Almost-Full Flag <sup>[13]</sup> (Asynchronous mode, V <sub>CC</sub> /SMODE tied to V <sub>CC</sub> )		15		16		20	ns
t <sub>PAFsynch</sub>	Clock to Programmable Almost-Full Flag (Synchronous mode, V <sub>CC</sub> /SMODE tied to V <sub>SS</sub> )		8		10		15	ns
t <sub>PAEasynch</sub>	Clock to Programmable Almost-Empty Flag <sup>[13]</sup> (Asynchronous mode, V <sub>CC</sub> /SMODE tied to V <sub>CC</sub> )		15		16		20	ns
t <sub>PAEsynch</sub>	Clock to Programmable Almost-Full Flag (Synchronous mode, V <sub>CC</sub> /SMODE tied to V <sub>SS</sub> )		8		10		15	ns
t <sub>HF</sub>	Clock to Half-Full Flag		12		16		20	ns
t <sub>XO</sub>	Clock to Expansion Out		6		10		15	ns
t <sub>XI</sub>	Expansion in Pulse Width	4.5		6.5		10		ns
t <sub>XIS</sub>	Expansion in Set-Up Time	4		5		10		ns
t <sub>SKEW1</sub>	Skew Time between Read Clock and Write Clock for Full Flag	5		6		10		ns
t <sub>SKEW2</sub>	Skew Time between Read Clock and Write Clock for Empty Flag	5		6		10		ns
t <sub>SKEW3</sub>	Skew Time between Read Clock and Write Clock for Programmable Almost Empty and Programmable Almost Full Flags (Synchronous Mode only)	10		15		18		ns

**Note:**

13. t<sub>PAFasynch</sub>, t<sub>PAEasynch</sub>, after program register write will not be valid until 5 ns + t<sub>PAF(E)</sub>.

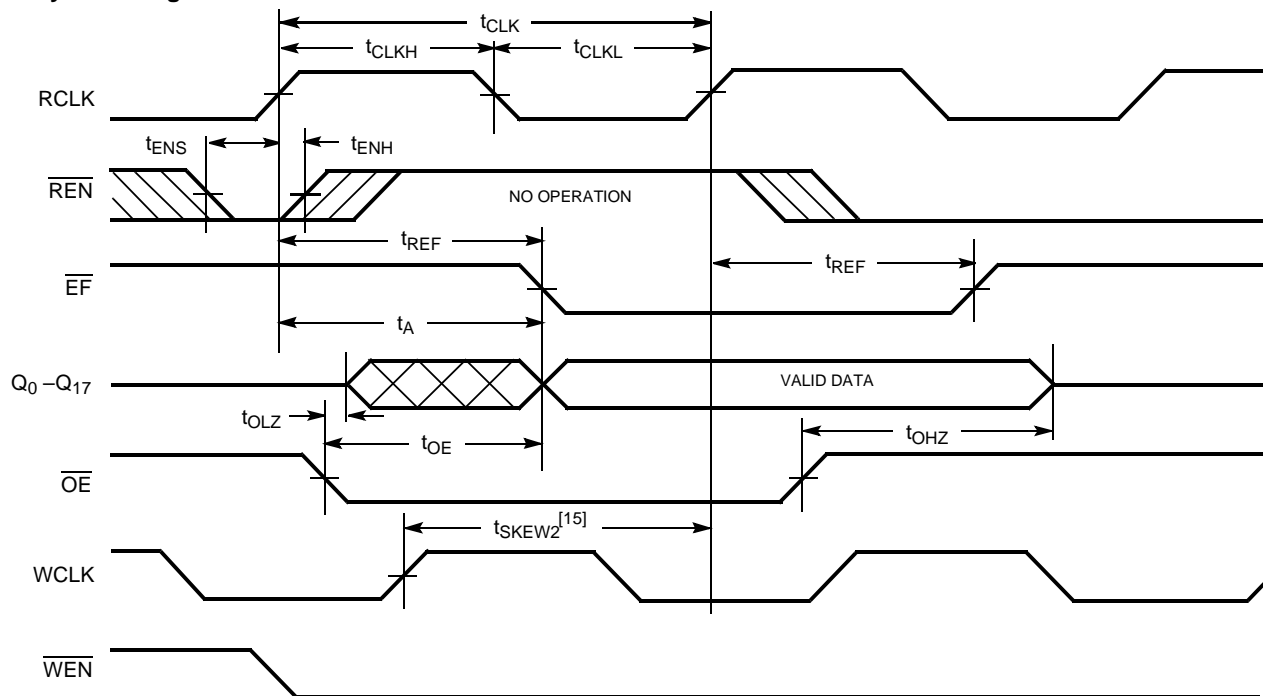
## Switching Waveforms

### Write Cycle Timing



4275V-8

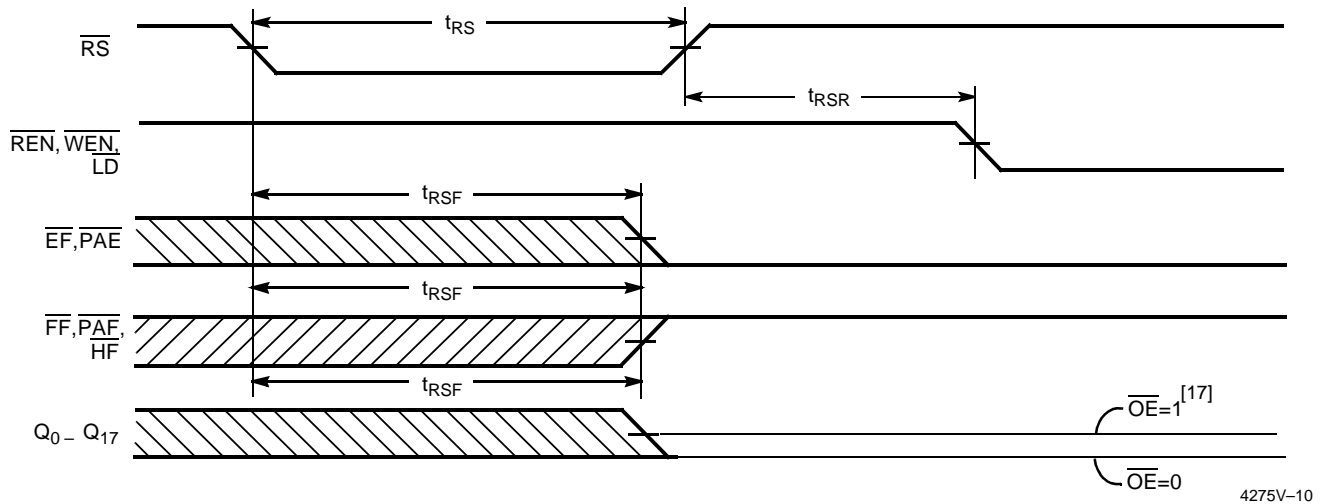
### Read Cycle Timing



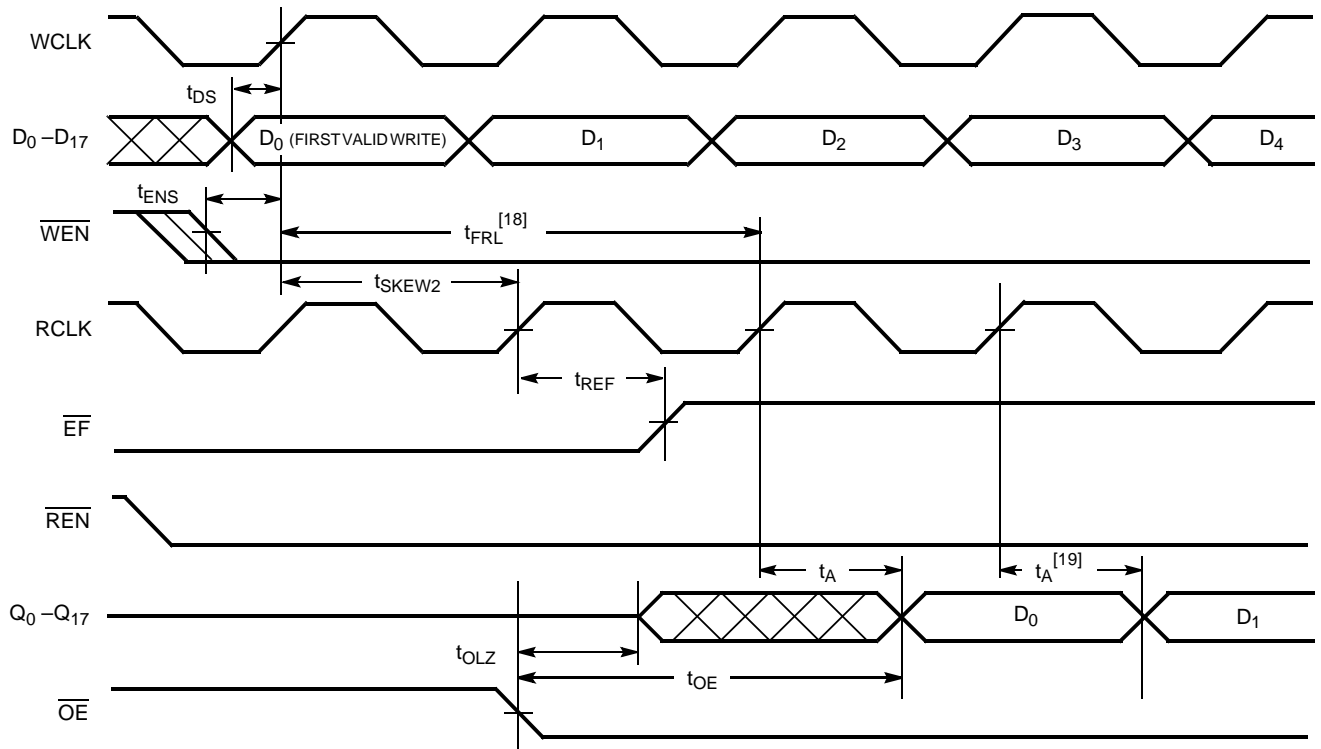
4275V-9

#### Notes:

14. t<sub>SKEW1</sub> is the minimum time between a rising RCLK edge and a rising WCLK edge to guarantee that  $\overline{\text{FF}}$  will go HIGH during the current clock cycle. If the time between the rising edge of RCLK and the rising edge of WCLK is less than t<sub>SKEW1</sub>, then  $\overline{\text{FF}}$  may not change state until the next WCLK rising edge.
15. t<sub>SKEW2</sub> is the minimum time between a rising WCLK edge and a rising RCLK edge to guarantee that  $\overline{\text{EF}}$  will go HIGH during the current clock cycle. If the time between the rising edge of WCLK and the rising edge of RCLK is less than t<sub>SKEW2</sub>, then  $\overline{\text{EF}}$  may not change state until the next RCLK rising edge.

**Switching Waveforms (continued)**
**Reset Timing [16]**


4275V-10

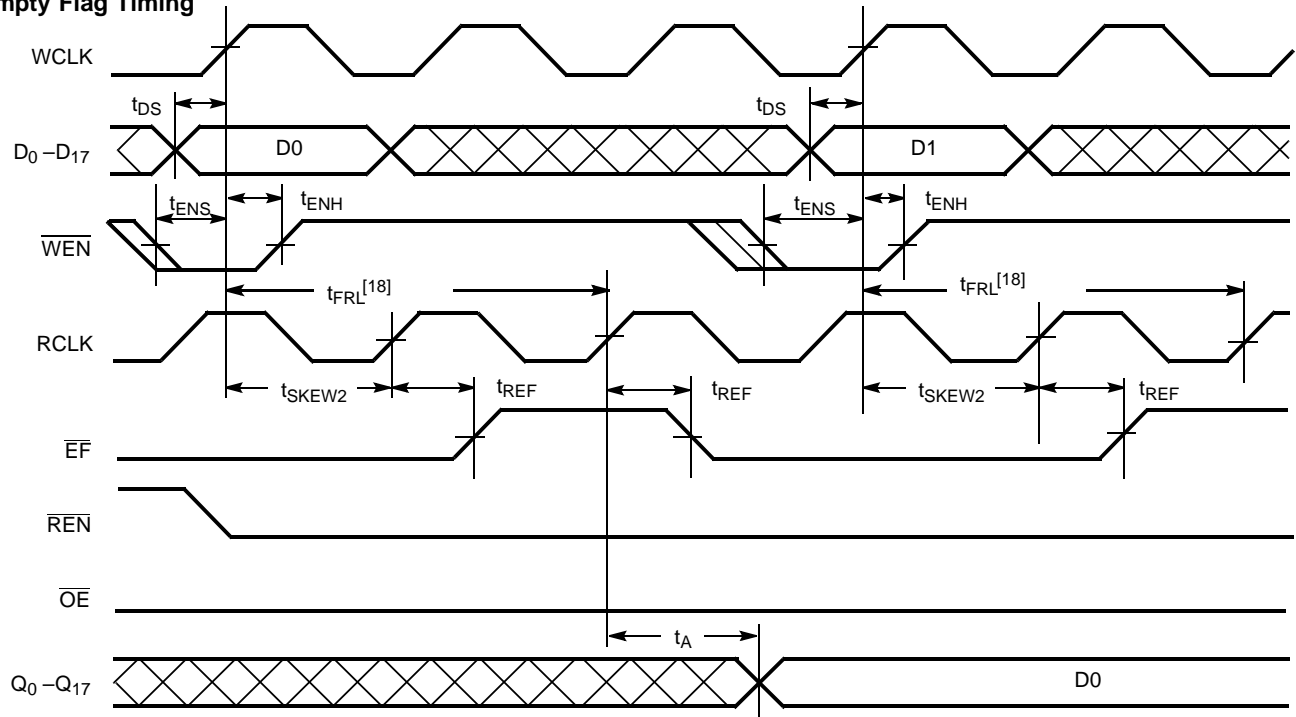
**First Data Word Latency after Reset with Simultaneous Read and Write**


4275V-11

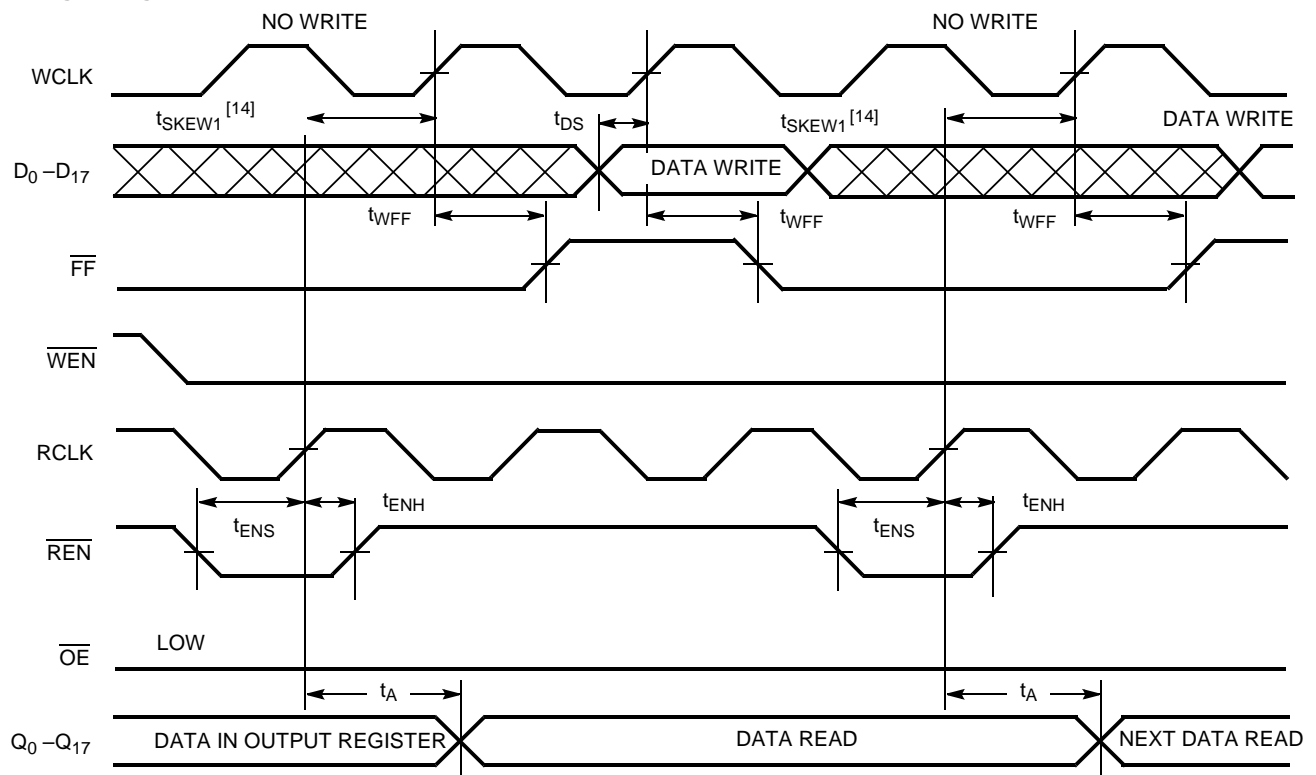
**Notes:**

16. The clocks (RCLK, WCLK) can be free-running during reset.
17. After reset, the outputs will be LOW if  $\overline{OE} = 0$  and three-state if  $\overline{OE} = 1$ .
18. When  $t_{SKEW2} \geq$  minimum specification,  $t_{FRL}$  (maximum) =  $t_{CLK} + t_{SKEW2}$ . When  $t_{SKEW2} <$  minimum specification,  $t_{FRL}$  (maximum) = either  $2 \cdot t_{CLK} + t_{SKEW2}$  or  $t_{CLK} + t_{SKEW2}$ . The Latency Timing applies only at the Empty Boundary ( $\overline{EF} = \text{LOW}$ ).
19. The first word is always available the cycle after  $\overline{EF}$  goes HIGH.

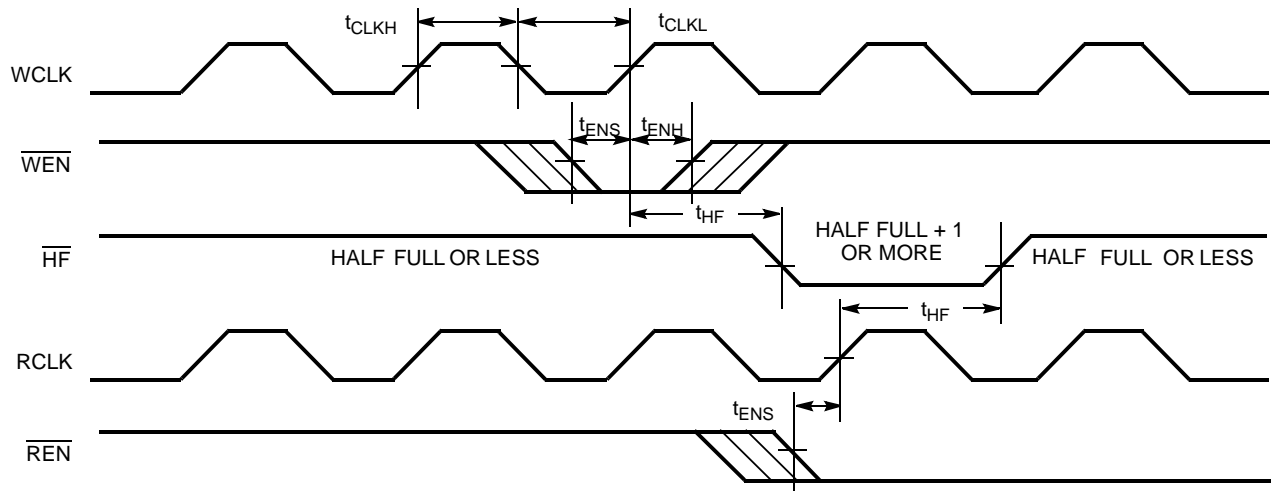


**Switching Waveforms (continued)**
**Empty Flag Timing**


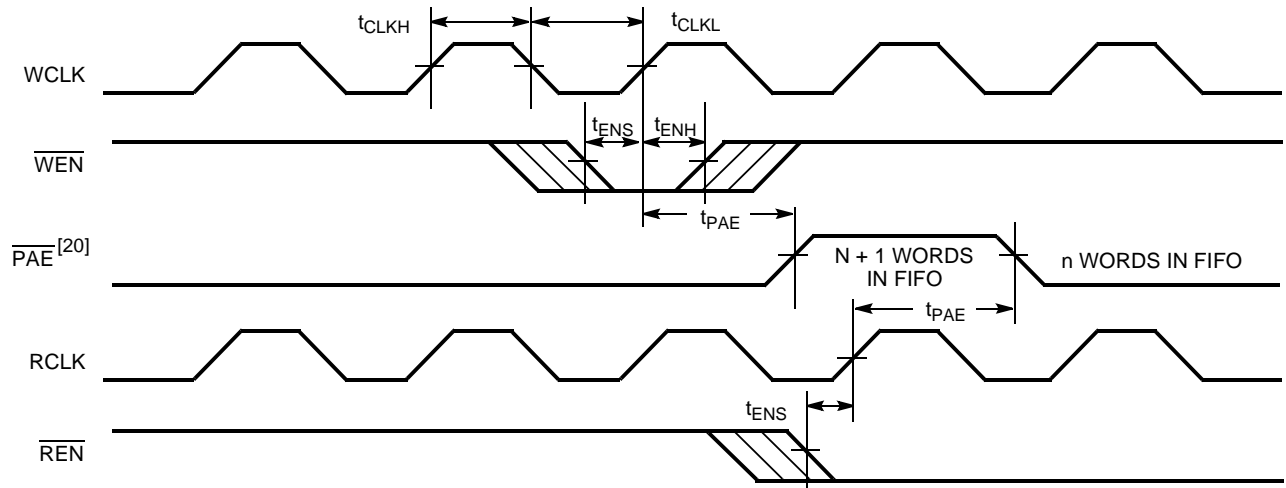
4275V-12

**Full Flag Timing**


4275V-13

**Switching Waveforms (continued)**
**Half-Full Flag Timing**


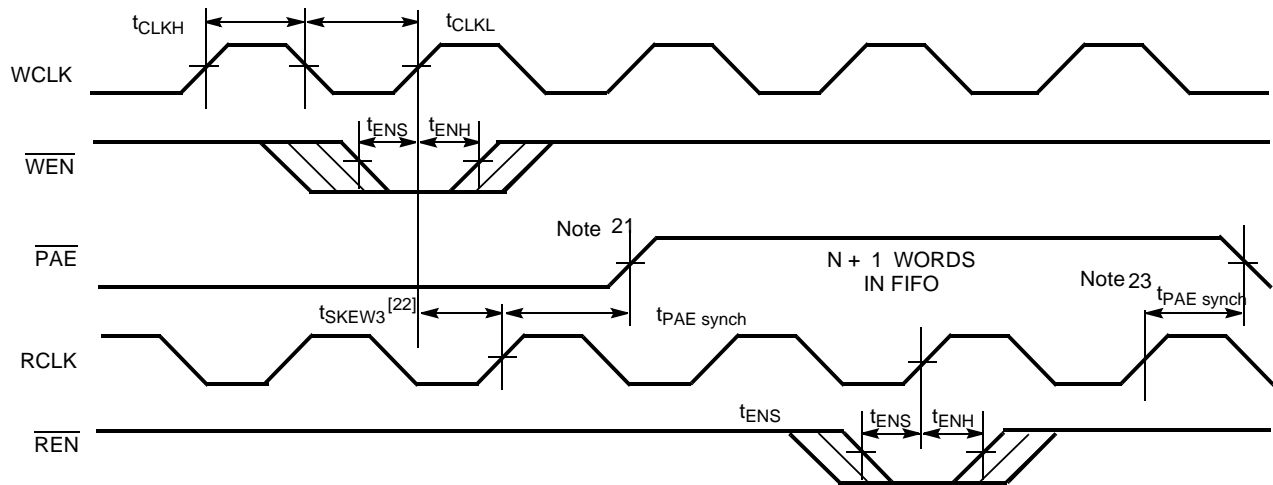
4275V-14

**Programmable Almost Empty Flag Timing**


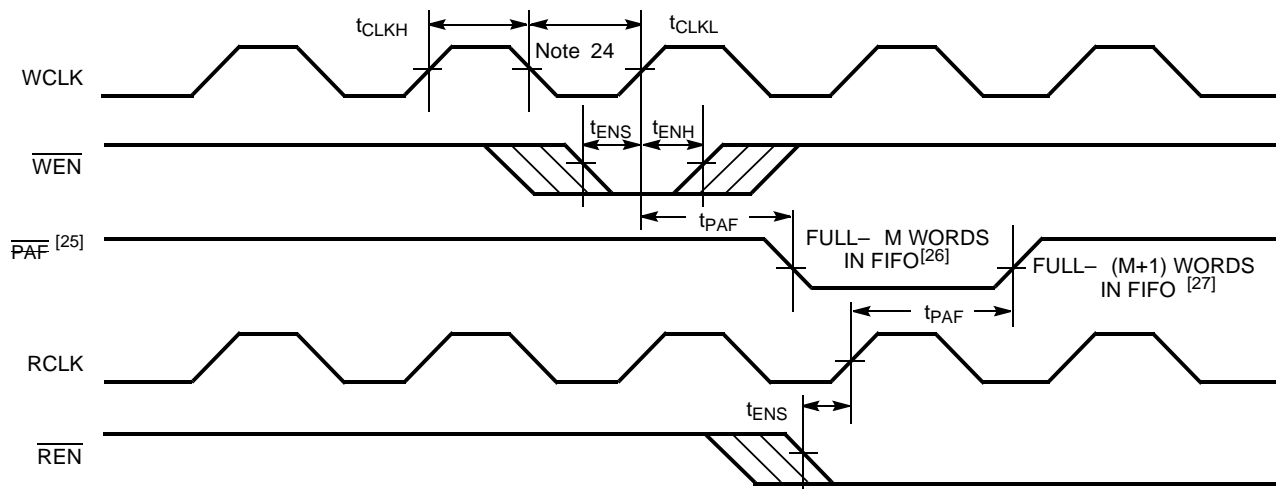
4275V-15

**Note:**

20. PAE is offset = n. Number of data words into FIFO already = n.

**Switching Waveforms (continued)**
**Programmable Almost Empty Flag Timing (applies only in  $\overline{\text{SMODE}}$  ( $\overline{\text{SMODE}}$  is LOW))**


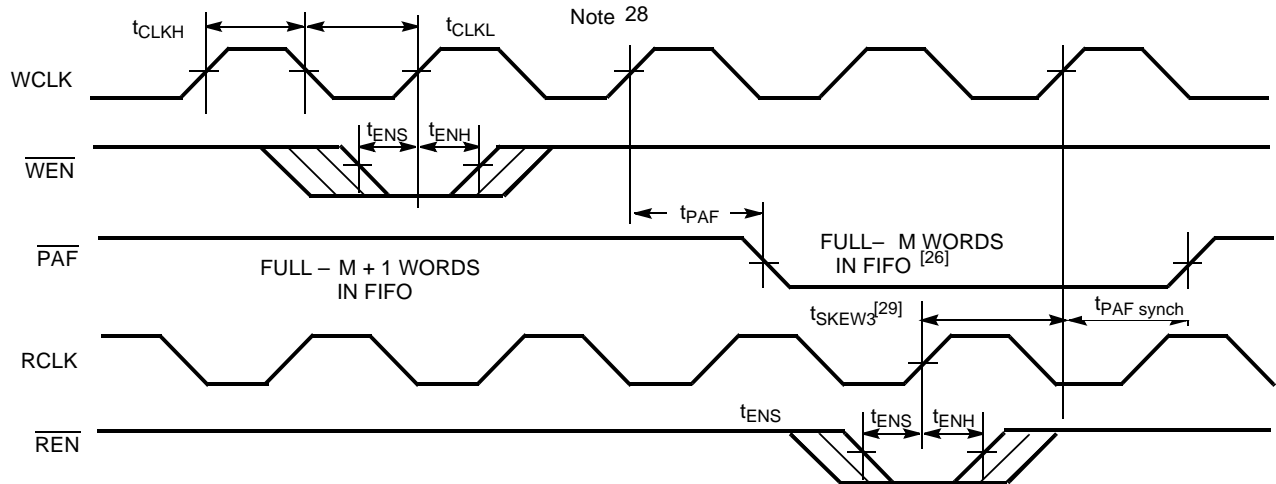
4275V-16

**Programmable Almost Full Flag Timing**


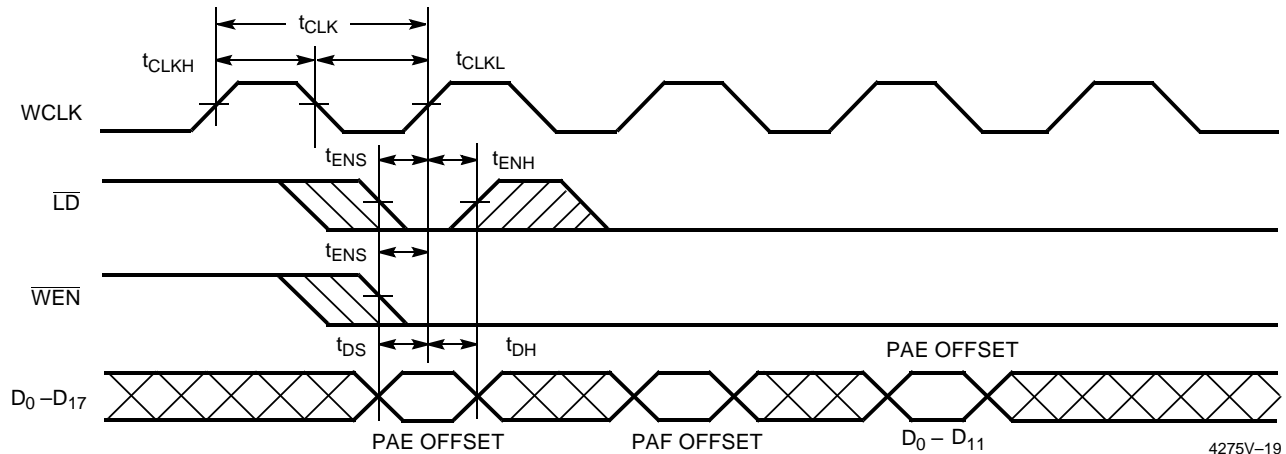
4275V-17

**Notes:**

21. PAE offset = n.
22.  $t_{\text{SKEW3}}$  is the minimum time between a rising WCLK and a rising RCLK edge for PAE to change state during that clock cycle. If the time between the edge of WCLK and the rising RCLK is less than  $t_{\text{SKEW3}}$ , then PAE may not change state until the next RCLK.
23. If a read is performed on this rising edge of the read clock, there will be Empty + (n-1) words in the FIFO when PAE goes LOW.
24. PAF offset = m. Number of data words written into FIFO already = 8192 - (m + 1) for the CY7C4255V, 16384 - (m + 1) for the CY7C4265V, 32768 - (m + 1) for the CY7C4275V, and 65536 - (m + 1) for the CY7C4285V.
25. PAF is offset = m.
26. 8192 - m words in CY7C4255V, 16384 - m words in CY7C4265V, 32768 - m words in CY7C4275V, and 65536 - m words in CY7C4285V.
27. 8192 - (m + 1) words in CY7C4255V, 16384 - (m + 1) words in CY7C4265V, 32768 - (m + 1) words in CY7C4275V, and 65536 - (m + 1) words in CY7C4285V.

**Switching Waveforms (continued)**
**Programmable Almost Full Flag Timing (applies only in SMODE (SMODE is LOW))**


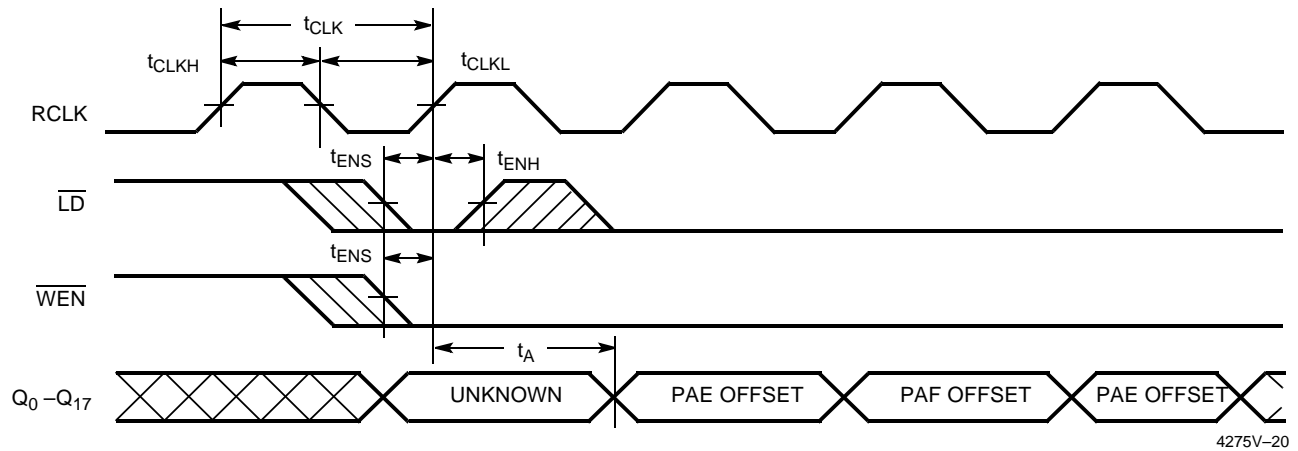
4275V-18

**Write Programmable Registers**


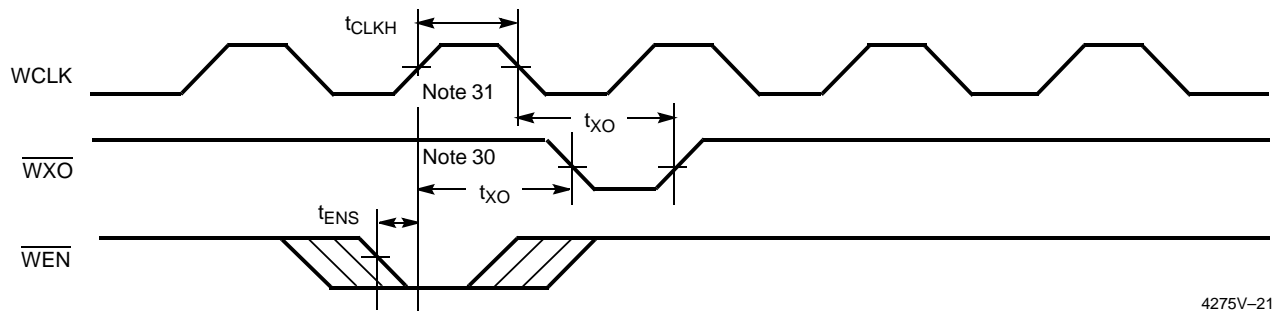
4275V-19

**Notes:**

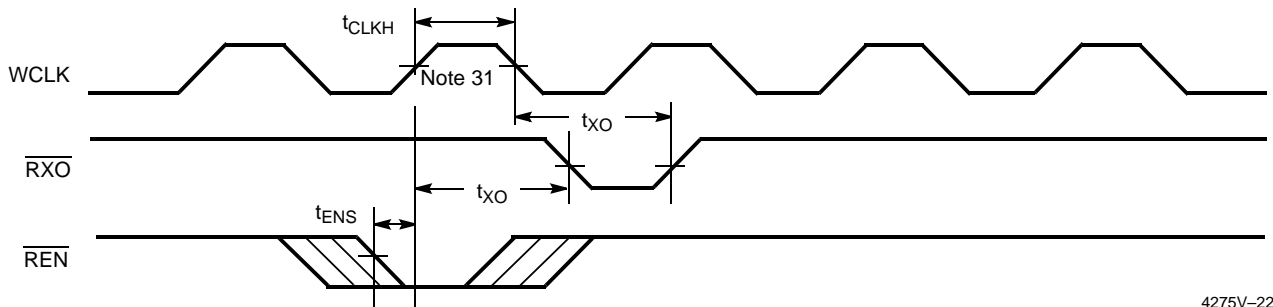
28. If a write is performed on this rising edge of the write clock, there will be Full - (m-1) words of the FIFO when  $\overline{\text{PAF}}$  goes LOW.
29.  $t_{\text{SKEW3}}$  is the minimum time between a rising RCLK and a rising  $\overline{\text{WCLK}}$  edge for PAF to change state during that clock cycle. If the time between the edge of RCLK and the rising edge of WCLK is less than  $t_{\text{SKEW3}}$ , then PAF may not change state until the next WCLK rising edge.

**Switching Waveforms (continued)**
**Read Programmable Registers**


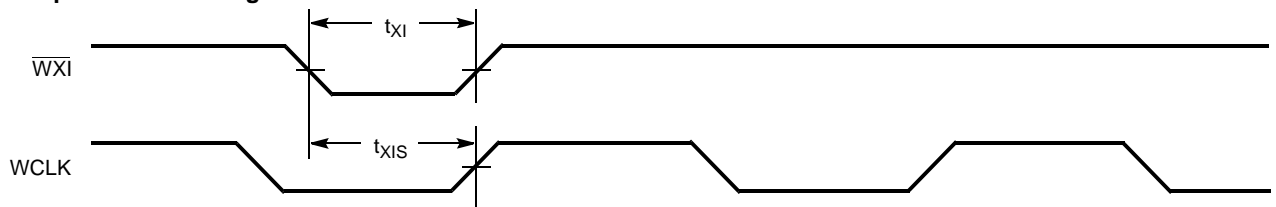
4275V-20

**Write Expansion Out Timing**


4275V-21

**Read Expansion Out Timing**


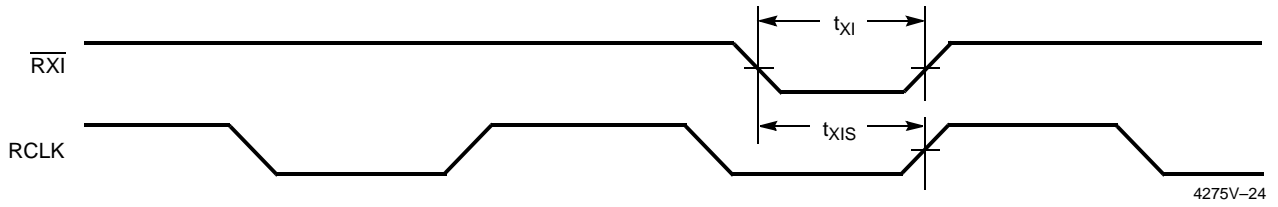
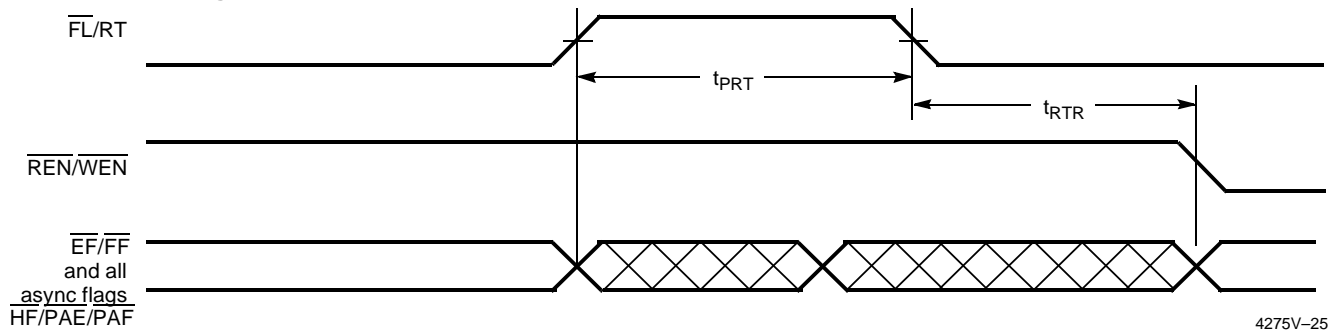
4275V-22

**Write Expansion In Timing**


4275V-23

**Notes:**

- 30. Write to Last Physical Location.
- 31. Read from Last Physical Location.

**Switching Waveforms (continued)**
**Read Expansion In Timing**

**Retransmit Timing** <sup>[32, 33, 34]</sup>

**Notes:**

32. Clocks are free-running in this case.
33. The flags may change state during Retransmit as a result of the offset of the read and write pointers, but flags will be valid at  $t_{RTR}$ .
34. For the synchronous PAE and PAF flags (SMODE), an appropriate clock cycle is necessary after  $t_{RTR}$  to update these flags.

## Architecture

The CY7C4255/65/75/85V consists of an array of 8K/16K/32K/64K words of 18 bits each (implemented by a dual-port array of SRAM cells), a read pointer, a write pointer, control signals ( $\overline{RCLK}$ ,  $\overline{WCLK}$ ,  $\overline{REN}$ ,  $\overline{WEN}$ ,  $\overline{RS}$ ), and flags ( $\overline{EF}$ ,  $\overline{PAE}$ ,  $\overline{HF}$ ,  $\overline{PAF}$ ,  $\overline{FF}$ ). The CY7C4255/65/75/85V also includes the control signals  $\overline{WXI}$ ,  $\overline{RXI}$ ,  $\overline{WXO}$ ,  $\overline{RXO}$  for depth expansion.

## Resetting the FIFO

Upon power-up, the FIFO must be reset with a Reset ( $\overline{RS}$ ) cycle. This causes the FIFO to enter the Empty condition signified by  $\overline{EF}$  being LOW. All data outputs go LOW after the falling edge of  $\overline{RS}$  only if  $\overline{OE}$  is asserted. In order for the FIFO to reset to its default state, the user must not read or write while  $\overline{RS}$  is LOW.

## FIFO Operation

When the  $\overline{WEN}$  signal is active (LOW), data present on the  $D_{0-17}$  pins is written into the FIFO on each rising edge of the  $\overline{WCLK}$  signal. Similarly, when the  $\overline{REN}$  signal is active LOW, data in the FIFO memory will be presented on the  $Q_{0-17}$  outputs. New data will be presented on each rising edge of  $\overline{RCLK}$  while  $\overline{REN}$  is active LOW and  $\overline{OE}$  is LOW.  $\overline{REN}$  must set up  $t_{ENS}$  before  $\overline{RCLK}$  for it to be a valid read function.  $\overline{WEN}$  must occur  $t_{ENS}$  before  $\overline{WCLK}$  for it to be a valid write function.

An output enable ( $\overline{OE}$ ) pin is provided to three-state the  $Q_{0-17}$  outputs when  $\overline{OE}$  is deasserted. When  $\overline{OE}$  is enabled (LOW), data in the output register will be available to the  $Q_{0-17}$  outputs after  $t_{OE}$ . If devices are cascaded, the  $\overline{OE}$  function will only output data on the FIFO that is read enabled.

The FIFO contains overflow circuitry to disallow additional writes when the FIFO is full, and under flow circuitry to disallow additional reads when the FIFO is empty. An empty FIFO maintains the data of the last valid read on its  $Q_{0-17}$  outputs even after additional reads occur.

## Programming

The CY7C4255/65/75/85V devices contain two 16-bit offset registers. Data present on  $D_{0-15}$  during a program write will determine the distance from Empty (Full) that the Almost Empty (Almost Full) flags become active. If the user elects not to program the FIFO's flags, the default offset values are used (see Table 2). When the Load  $\overline{LD}$  pin is set LOW and  $\overline{WEN}$  is set LOW, data on the inputs  $D_{0-15}$  is written into the Empty offset register on the first LOW-to-HIGH transition of the write clock ( $\overline{WCLK}$ ). When the  $\overline{LD}$  pin and  $\overline{WEN}$  are held LOW then data is written into the Full offset register on the second LOW-to-HIGH transition of the write clock ( $\overline{WCLK}$ ). The third transition of the write clock ( $\overline{WCLK}$ ) again writes to the Empty offset register (see Table 1). Writing all offset registers does not have to occur at one time. One or two offset registers can be written and then, by bringing the  $\overline{LD}$  pin HIGH, the FIFO is returned to



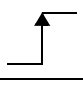
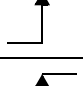
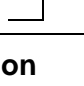
### Note:

35. The same selection sequence applies to reading from the registers.  $\overline{REN}$  is enabled and read is performed on the LOW-to-HIGH transition of  $\overline{RCLK}$ .

normal read/write operation. When the  $\overline{LD}$  pin is set LOW, and  $\overline{WEN}$  is LOW, the next offset register in sequence is written.

The contents of the offset registers can be read on the output lines when the  $\overline{LD}$  pin is set LOW and  $\overline{REN}$  is set LOW; then, data can be read on the LOW-to-HIGH transition of the read clock ( $\overline{RCLK}$ ).

**Table 1. Write Offset Register**

$\overline{LD}$	$\overline{WEN}$	$\overline{WCLK}^{[35]}$	Selection
0	0		Writing to offset registers: Empty Offset  Full Offset
0	1		No Operation
1	0		Write Into FIFO
1	1		No Operation

## Flag Operation

The CY7C4255/65/75/85V devices provide five flag pins to indicate the condition of the FIFO contents. Empty and Full are synchronous.  $\overline{PAE}$  and  $\overline{PAF}$  are synchronous if  $V_{CC}/\overline{SMODE}$  is tied to  $V_{SS}$ .

### Full Flag

The Full Flag ( $\overline{FF}$ ) will go LOW when device is Full. Write operations are inhibited whenever  $\overline{FF}$  is LOW regardless of the state of  $\overline{WEN}$ .  $\overline{FF}$  is synchronized to  $\overline{WCLK}$ , i.e., it is exclusively updated by each rising edge of  $\overline{WCLK}$ .

### Empty Flag

The Empty Flag ( $\overline{EF}$ ) will go LOW when the device is empty. Read operations are inhibited whenever  $\overline{EF}$  is LOW, regardless of the state of  $\overline{REN}$ .  $\overline{EF}$  is synchronized to  $\overline{RCLK}$ , i.e., it is exclusively updated by each rising edge of  $\overline{RCLK}$ .

### Programmable Almost Empty/Almost Full Flag

The CY7C4255/65/75/85V features programmable Almost Empty and Almost Full Flags. Each flag can be programmed (described in the Programming section) a specific distance from the corresponding boundary flags (Empty or Full). When the FIFO contains the number of words or fewer for which the flags have been programmed, the  $\overline{PAF}$  or  $\overline{PAE}$  will be asserted, signifying that the FIFO is either Almost Full or Almost Empty. See Table 2 for a description of programmable flags.

When the  $\overline{SMODE}$  pin is tied LOW, the  $\overline{PAF}$  flag signal transition is caused by the rising edge of the write clock and the  $\overline{PAE}$  flag transition is caused by the rising edge of the read clock.

**Table 2. Flag Truth Table**

Number of Words in FIFO				$\overline{FF}$	$\overline{PAF}$	$\overline{HF}$	$\overline{PAE}$	$\overline{EF}$
7C4255V – 8K x 18	7C4265V – 16K x 18	7C4275V – 32K x 18	7C4285V – 64K x 18					
0	0	0	0	H	H	H	L	L
1 to $n^{[36]}$	1 to $n^{[36]}$	1 to $n^{[36]}$	1 to $n^{[36]}$	H	H	H	L	H
(n+1) to 4096	(n+1) to 8192	(n+1) to 16384	(n+1) to 32768	H	H	H	H	H
4097 to (8192-(m+1))	8193 to (16384-(m+1))	16385 to (32768-(m+1))	32769 to (65536-(m+1))	H	H	L	H	H
(8192-m) <sup>[37]</sup> to 8192	(16384-m) <sup>[37]</sup> to 16384	(32768-m) <sup>[37]</sup> to 32767	(65536-m) <sup>[37]</sup> to 65535	H	L	L	H	H
8192	16384	32768	65536	L	L	L	H	H

### Retransmit

The retransmit feature is beneficial when transferring packets of data. It enables the receipt of data to be acknowledged by the receiver and retransmitted if necessary.

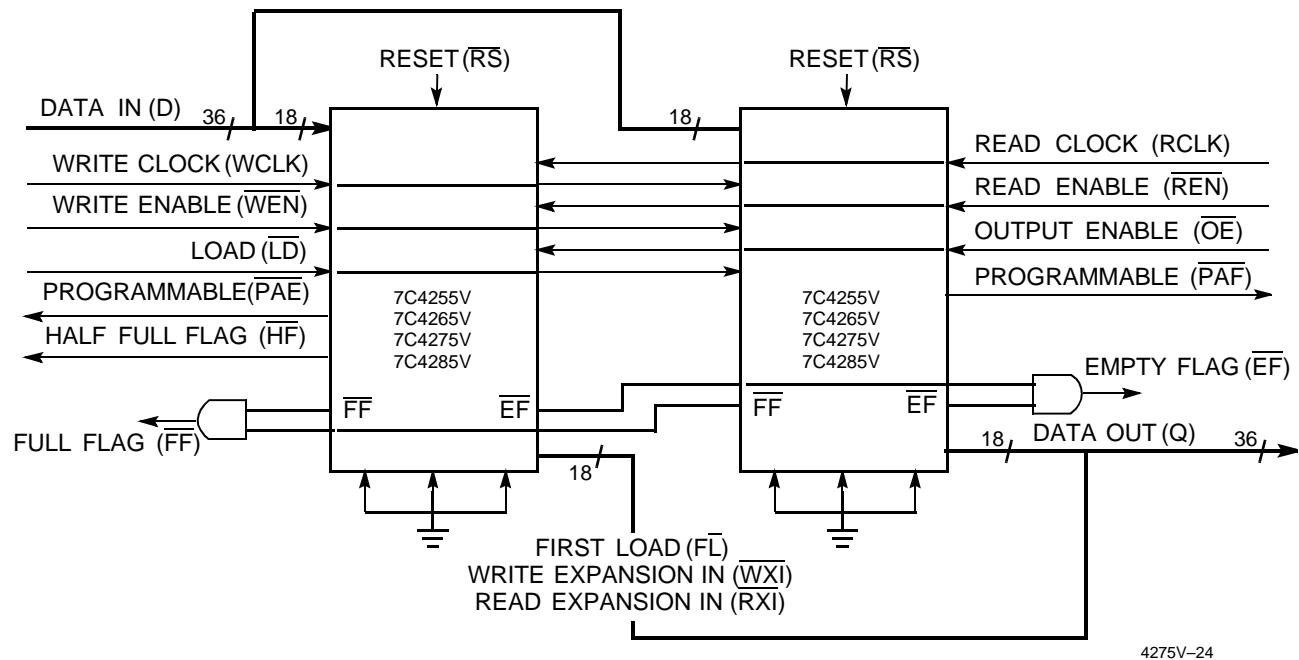
The Retransmit (RT) input is active in the stand-alone and width expansion modes. The retransmit feature is intended for use when a number of writes equal to or less than the depth of the FIFO have occurred and at least one word has been read since the last  $\overline{RS}$  cycle. A HIGH pulse on RT resets the internal read pointer to the first physical location of the FIFO. WCLK and RCLK may be free running but must be disabled during and  $t_{RTR}$  after the retransmit pulse. With every valid read cycle after retransmit, previously accessed data is read and the read pointer is incremented until it is equal to the write pointer. Flags are governed by the relative locations of the read and write pointers and are updated during a retransmit

cycle. Data written to the FIFO after activation of RT are transmitted also.

The full depth of the FIFO can be repeatedly retransmitted.

### Width Expansion Configuration

The CY7C4255/65/75/85V can be expanded in width to provide word widths greater than 18 in increments of 18. During width expansion mode all control line inputs are common and all flags are available. Empty (Full) flags should be created by ANDing the Empty (Full) flags of every FIFO; the PAE and PAF flags can be detected from any one device. This technique will avoid reading data from, or writing data to the FIFO that is “staggered” by one clock cycle due to the variations in skew between RCLK and WCLK. *Figure 1* demonstrates a 36-word width by using two CY7C4255/65/75/85Vs.



**Figure 1. Block Diagram of 8K/16K/32K/64K x 18 Low-Voltage Synchronous FIFO Memory Used in a Width Expansion Configuration**

**Notes:**

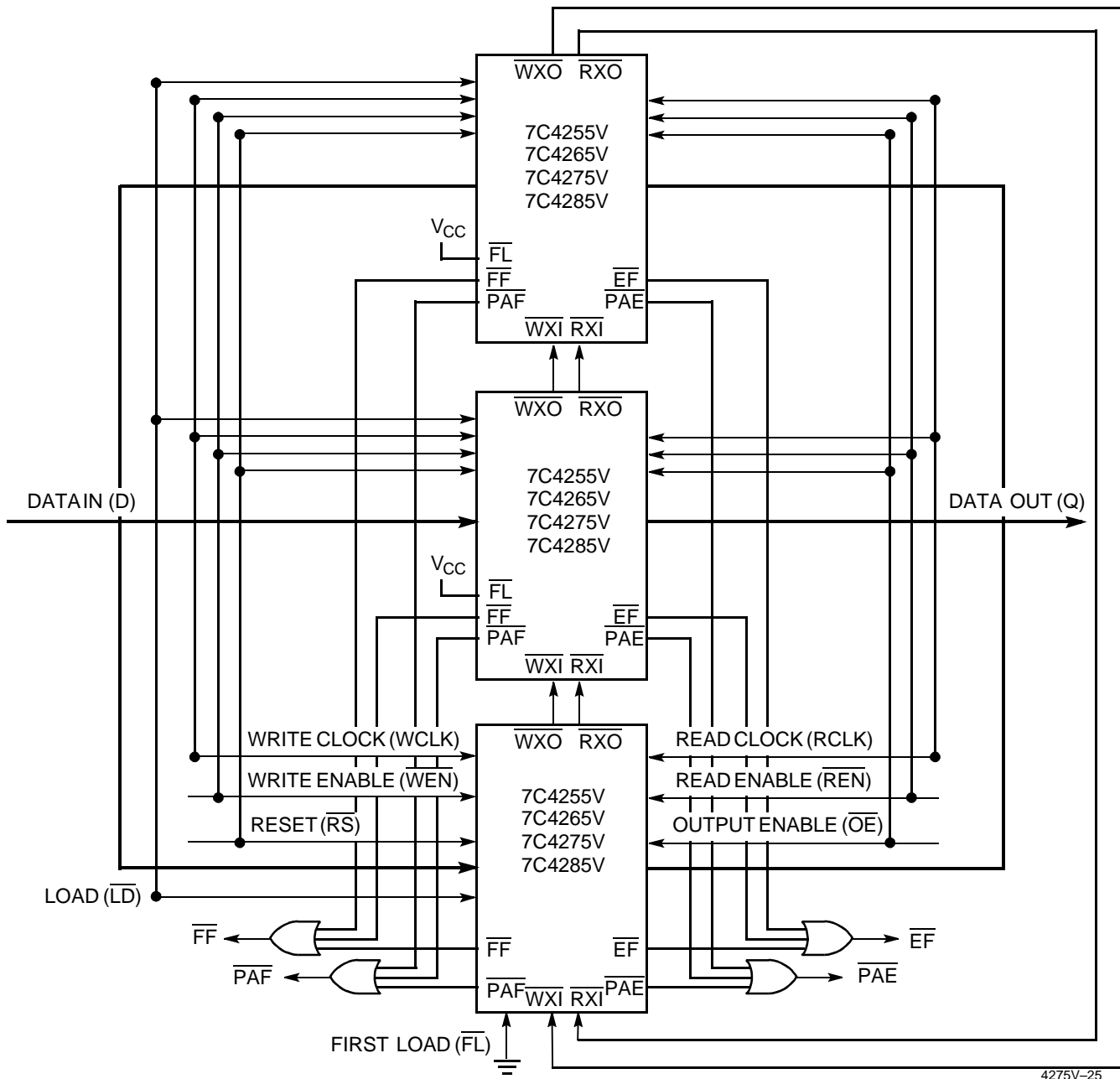
- 36. n = Empty Offset (Default Values: CY7C4255/65/75/85V n = 127).
- 37. m = Full Offset (Default Values: CY7C4255/65/75/85V n = 127).



### Depth Expansion Configuration (with Programmable Flags)

The CY7C4255/65/75/85V can easily be adapted to applications requiring more than 8K/16K/32K/64K words of buffering. Figure 2 shows Depth Expansion using three CY7C4255/65/75/85Vs. Maximum depth is limited only by signal loading. Follow these steps:

1. The first device must be designated by grounding the First Load (FL) control input.
2. All other devices must have  $\overline{FL}$  in the HIGH state.
3. The Write Expansion Out ( $\overline{WXO}$ ) pin of each device must be tied to the Write Expansion In (WXI) pin of the next device.
4. The Read Expansion Out ( $\overline{RXO}$ ) pin of each device must be tied to the Read Expansion In (RXI) pin of the next device.
5. All Load ( $\overline{LD}$ ) pins are tied together.
6. The Half-Full Flag ( $\overline{HF}$ ) is not available in the Depth Expansion Configuration.
7.  $\overline{EF}$ ,  $\overline{FF}$ ,  $\overline{PAE}$ , and  $\overline{PAF}$  are created with composite flags by ORing together these respective flags for monitoring. The composite  $\overline{PAE}$  and  $\overline{PAF}$  flags are not precise.



**Figure 2. Block Diagram of 8K/16K/32K/64K x 18 Low-Voltage Synchronous FIFO Memory with Programmable Flags used in Depth Expansion Configuration**

**Ordering Information**
**8Kx18 Low-Voltage Deep Sync FIFO**

Speed (ns)	Ordering Code	Package Name	Package Type	Operating Range
10	CY7C4255V-10ASC	A64	64-Lead 10x10 Thin Quad Flatpack	Commercial
15	CY7C4255V-15ASC	A64	64-Lead 10x10 Thin Quad Flatpack	Commercial
25	CY7C4255V-25ASC	A64	64-Lead 10x10 Thin Quad Flatpack	Commercial

**16Kx18 Low-Voltage Deep Sync FIFO**

Speed (ns)	Ordering Code	Package Name	Package Type	Operating Range
10	CY7C4265V-10ASC	A64	64-Lead 10x10 Thin Quad Flatpack	Commercial
15	CY7C4265V-15ASC	A64	64-Lead 10x10 Thin Quad Flatpack	Commercial
25	CY7C4265V-25ASC	A64	64-Lead 10x10 Thin Quad Flatpack	Commercial

**32Kx18 Low-Voltage Deep Sync FIFO**

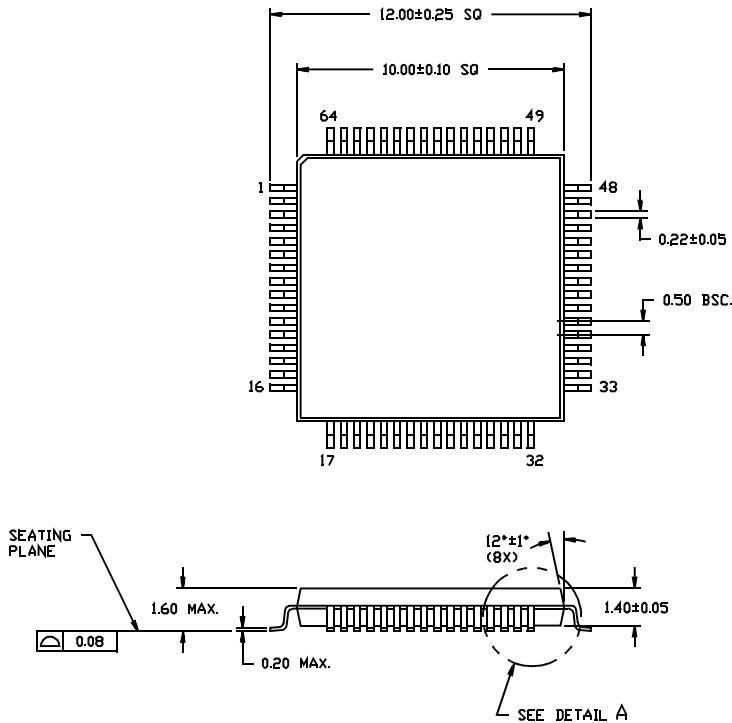
Speed (ns)	Ordering Code	Package Name	Package Type	Operating Range
10	CY7C4275V-10ASC	A64	64-Lead 10x10 Thin Quad Flatpack	Commercial
15	CY7C4275V-15ASC	A64	64-Lead 10x10 Thin Quad Flatpack	Commercial

**64Kx18 Low-Voltage Deep Sync FIFO**

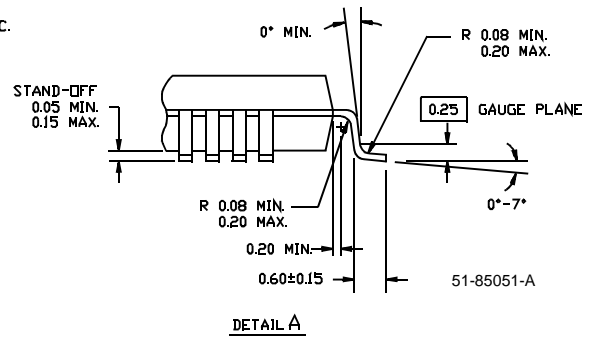
Speed (ns)	Ordering Code	Package Name	Package Type	Operating Range
10	CY7C4285V-10ASC	A64	64-Lead 10x10 Thin Quad Flatpack	Commercial
15	CY7C4285V-15ASI	A64	64-Lead 10x10 Thin Quad Flatpack	Industrial
25	CY7C4285V-25ASC	A64	64-Lead 10x10 Thin Quad Flatpack	Commercial

Package Diagrams

64-Pin Thin Plastic Quad Flat Pack (10 x 10 x 1.4 mm) A64



DIMENSIONS ARE IN MILLIMETERS





**Document Title: CY7C4255V, CY7C4265V, CY7C4275V, CY7C4285V 32K/64K x 18 Low Voltage Deep Sync FIFOs**  
**Document Number: 38-06012**

<b>REV.</b>	<b>ECN NO.</b>	<b>Issue Date</b>	<b>Orig. of Change</b>	<b>Description of Change</b>
**	106473	09/10/01	SZV	Change from Spec number: 38-00654 to 38-06012
*A	122264	12/26/02	RBI	Power up requirements added to Maximum Ratings Information