

Structure : Silicon Monolithic Integrated Circuit

Product : Audio Sound Controller for home audio

Type : **BD3861FS**

- Features :
- 1) High S/N achieved by implementing 2-stage configuration of Front Volume and Rear Volume
 - 2) Volume and Tone implemented with the resistance ladder circuit to achieve high performance with low noise and low distortion
 - 3) Adopting the BiCMOS process achieves low-consumption current, which contributes to energy-saving design.
It has the advantage in quality over scaling down of the internal regulators and heat control.
 - 4) For the packages, SSOP-A32 is used. Input pins and output pins are organized and separately laid out so as to keep the signal flows in one direction; consequently, simplifying pattern layout of the set board and decreasing the board dimensions.

Absolute Maximum Ratings (Ta=25°C)

Item	Symbol	Value	Unit
Power Supply Voltage	Vcc	10	V
Power Dissipation	Pd	950*2	mW
Input Voltage Range	Vin	GND-0.3 to Vcc+0.3	V
Operation Temperature Range	Topr	-25 to +75	°C
Storage Temperature Range	Tstg	-55 to +125	°C

*Over Ta=25°C, derating at the rate of 9.5mW/°C.
When installed on the standard board (size: 70 × 70 × 1.6mm).

Operating Voltage Range

Symbol	Range	Unit
Vcc	6.5 to 9.5	V

Note that ROHM cannot provide adequate confirmation of patents.

The product described in this specification is designed to be used with ordinary electronic equipment or devices (such as audio-visual equipment, office-automation equipment, communications devices, electrical appliances, and electronic toys).

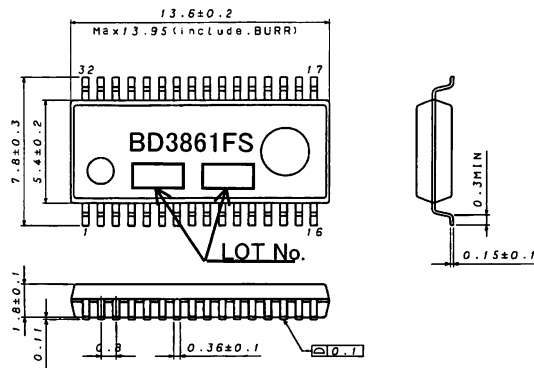
Should you intend to use this product with equipment or devices which require an extremely high level of reliability and the malfunction of which would directly endanger human life (such as medical instruments, transportation equipment, aerospace machinery, nuclear-reactor controllers, fuel controllers and other safety devices), please be sure to consult with our sales representative in advance.

Electrical characteristics

VCC=9V, f=1KHz, VIN=1Vrms, Rg=600Ω, RL=10KΩ, Ta=25°C, Input Gain=0dB, VOL=0dB, Bass, Middle, Treble=0dB, unless otherwise noted.

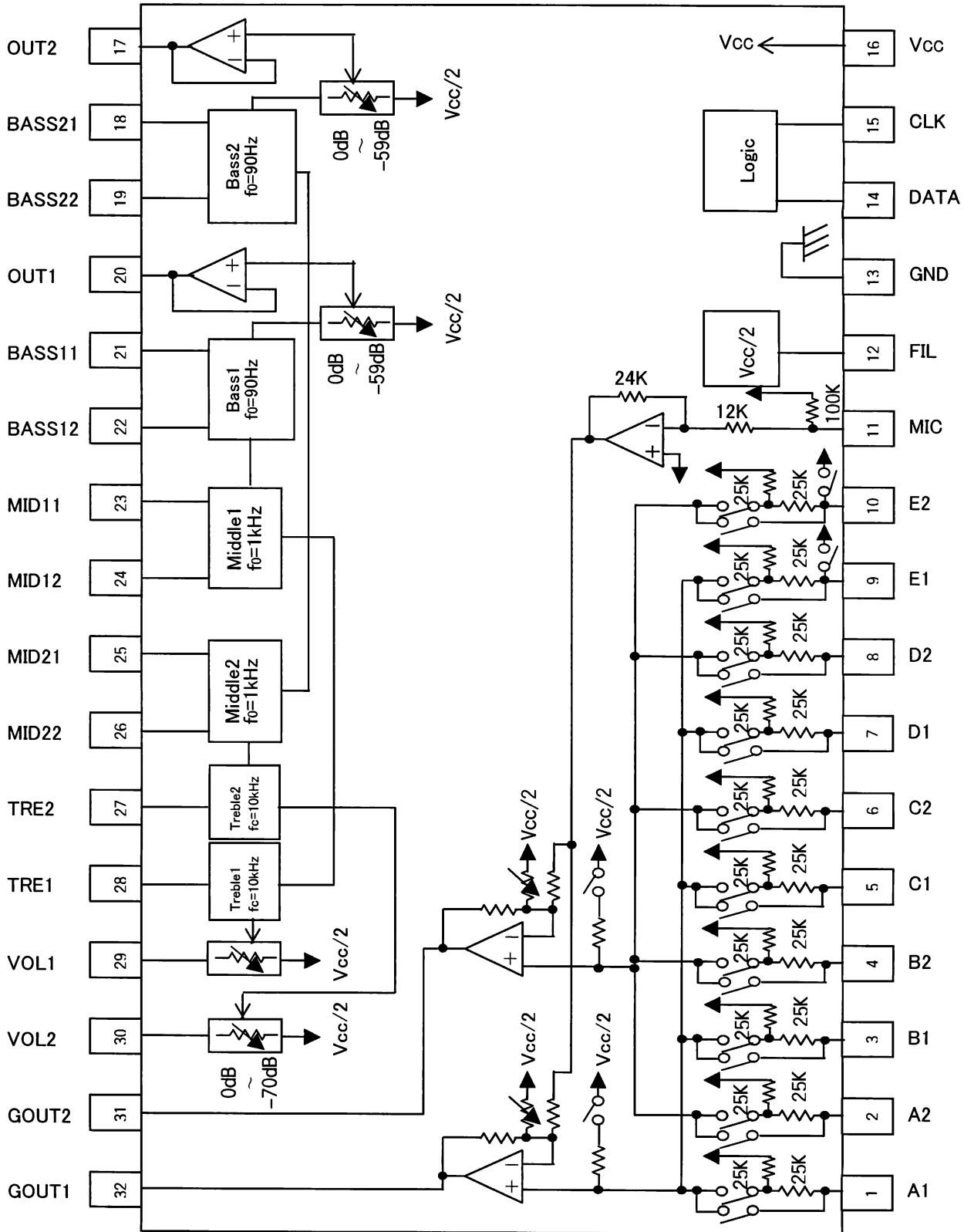
Item	Symbol	Standard Value			Unit	Condition
		Min.	Typ.	Max.		
Circuit Current	IQ	-	13.0	26.0	mA	At no signal
Output Voltage Gain	GV	-1.5	0.0	1.5	dB	GV=20log(VOUT/VIN)
Total Harmonic Distortion	THD	-	0.02	0.08	%	400 to 30kHz BPF
Maximum Output Voltage	VOM	2.0	2.5	-	Vrms	THD=1%
Output Noise Voltage	VNO	-	8.0	15.0	μVrms	Rg=0kΩ, IHF-A
Cross-talk between Channels	CT	-	-80	-70	dB	Rg=0kΩ, IHF-A
6dB SW Gain	GV6	5	6	7	dB	VIN=200mVrms GV6=20log(VOUT/VIN)
Cross-talk between Selectors	CS	-	-80.0	-70.0	dB	Rg=0kΩ, IHF-A CS=20log(VOUT/VIN)
INPUT MUTE Amount	GminI	-	-	-90.0	dB	IHF-A GminI=20log(VOUT/VIN)
OUTPUT MUTE Amount	GminO	-	-	-90.0	dB	IHF-A GminO=20log(VOUT/VIN)
Bass Boost Gain (Max)	GBB	12	14	16	dB	VIN=200mVrms, f=90Hz, From 0 to 14dB GBB=20log(VOUT/VIN)
Bass Cut Gain (Max)	GBC	-16	-14	-12	dB	VIN=200mVrms, f=90Hz, From -14 to 0dB GBC=20log(VOUT/VIN)
Middle Boost Gain (Max)	GMB	10	12	14	dB	VIN=200mVrms, f=1kHz From 0 to 12dB GMB=20log(VOUT/VIN)
Middle Cut Gain (Max)	GMC	-14	-12	-10	dB	VIN=200mVrms, f=1kHz From -12 to 0dB GMC=20log(VOUT/VIN)
Treble Boost Gain (Max)	GTB	10	12	14	dB	VIN=200mVrms, f=10kHz From 0 to 12dB GTB=20log(VOUT/VIN)
Treble Cut Gain (Max)	GTC	-14	-12	-10	dB	VIN=200mVrms, f=10kHz From -12 to 0dB GTC=20log(VOUT/VIN)
Microphone Voltage Gain	GMIC	4.5	6.0	7.5	dB	VIN=200mVrms GMIC=20log(VOUT/VIN)

Outline dimensions and Marking diagram



SSOP-A32 Unit: (mm)

Block diagram



Terminal description

Terminal number	Terminal name	Terminal description	Terminal number	Terminal name	Terminal description
1	A1	1ch input terminal A	17	OUT2	2ch output terminal
2	A2	2ch input terminal A	18	BASS21	2ch bass filter setting terminal
3	B1	1ch input terminal B	19	BASS22	2ch bass filter setting terminal
4	B2	2ch input terminal B	20	OUT1	1ch output terminal
5	C1	1ch input terminal C	21	BASS11	1ch bass filter setting terminal
6	C2	2ch input terminal C	22	BASS12	1ch bass filter setting terminal
7	D1	1ch input terminal D	23	MID11	1ch middle filter setting terminal
8	D2	2ch input terminal D	24	MID12	1ch middle filter setting terminal
9	E1	1ch input terminal E	25	MID21	2ch middle filter setting terminal
10	E2	2ch input terminal E	26	MID22	2ch middle filter setting terminal
11	MIC	Microphone input terminal	27	TRE2	2ch treble filter setting terminal
12	FIL	1/2 VCC terminal	28	TRE1	1ch treble filter setting terminal
13	GND	Grounding terminal	29	VOL1	1ch volume input terminal
14	DATA	Serial data input terminal	30	VOL2	2ch volume input terminal
15	CLK	Serial clock input terminal	31	GOUT2	2ch input selector output terminal
16	VCC	Power supply terminal	32	GOUT1	1ch input selector output terminal

Caution on use

- 1) About operation voltage supply range
 Within operation voltage supply range, basic circuit function operation is guaranteed within operation ambient temperature. But please confirm set up of constant and element, voltage set up and temperature set up on use.
- 2) About operation temperature range
 If it within recommended operation voltage range, circuit function operation is guaranteed within operation temperature. It corralled to conditions of power dissipation to temperature.
 Please watch out except condition stipulated by electrical characteristics within the range, It cannot guarantee standard value of electrical characteristics. But it retains original function.
- 3) Power-on reset
 Any circuit to perform initialization in the IC upon power on is not contained. Therefore, be sure to send initial data to all the addresses upon power on. Moreover, be sure to mute the set side until the initial data has been sent. For data setting at the second time or later, necessary address only can be modified.
- 4) Schmidt circuit
 This IC has the Schmidt circuit as preventive measures against logic signal input into the DATA (14pin) and CLK (15pin) terminals. Therefore, this IC is not affected so much by noise to a logic signal line. For the "High" voltage for logic control, voltage in a range from 2.6 to 5.5V is available.
- 5) Setting of input gain
 Because of the S/N characteristics, it is recommendable to turn ON 6dBSW in input gain in a range between 6 and 20dB (in 2dB increment).
- 6) Input pin E1 (9pin) and E2 (10pin)
 Input pin E1 (9pin) and E2 (10pin) has a built-in mute circuit. It is the optimal for the auxiliary input.
- 7) Microphone terminal
 If the microphone terminal (11pin) is not used, use this IC in "open" because of the S/N characteristics.
- 8) Serial control
 Wire the CLK terminal and DATA terminal taking care not interfere with an analog signal line.

Notes

- No technical content pages of this document may be reproduced in any form or transmitted by any means without prior permission of ROHM CO.,LTD.
- The contents described herein are subject to change without notice. The specifications for the product described in this document are for reference only. Upon actual use, therefore, please request that specifications to be separately delivered.
- Application circuit diagrams and circuit constants contained herein are shown as examples of standard use and operation. Please pay careful attention to the peripheral conditions when designing circuits and deciding upon circuit constants in the set.
- Any data, including, but not limited to application circuit diagrams information, described herein are intended only as illustrations of such devices and not as the specifications for such devices. ROHM CO.,LTD. disclaims any warranty that any use of such devices shall be free from infringement of any third party's intellectual property rights or other proprietary rights, and further, assumes no liability of whatsoever nature in the event of any such infringement, or arising from or connected with or related to the use of such devices.
- Upon the sale of any such devices, other than for buyer's right to use such devices itself, resell or otherwise dispose of the same, no express or implied right or license to practice or commercially exploit any intellectual property rights or other proprietary rights owned or controlled by
- ROHM CO., LTD. is granted to any such buyer.
- Products listed in this document are no antiradiation design.

The products listed in this document are designed to be used with ordinary electronic equipment or devices (such as audio visual equipment, office-automation equipment, communications devices, electrical appliances and electronic toys).

Should you intend to use these products with equipment or devices which require an extremely high level of reliability and the malfunction of which would directly endanger human life (such as medical instruments, transportation equipment, aerospace machinery, nuclear-reactor controllers, fuel controllers and other safety devices), please be sure to consult with our sales representative in advance.

About Export Control Order in Japan

Products described herein are the objects of controlled goods in Annex 1 (Item 16) of Export Trade Control Order in Japan.

In case of export from Japan, please confirm if it applies to "objective" criteria or an "informed" (by MITI clause) on the basis of "catch all controls for Non-Proliferation of Weapons of Mass Destruction.

Thank you for your accessing to ROHM product informations.
More detail product informations and catalogs are available,
please contact your nearest sales office.

Please contact our sales offices for details ;

U.S.A / San Diego	TEL : +1(858)625-3630	FAX : +1(858)625-3670
Atlanta	TEL : +1(770)754-5972	FAX : +1(770)754-0691
Dallas	TEL : +1(972)312-8818	FAX : +1(972)312-0330
Germany / Dusseldorf	TEL : +49(2154)9210	FAX : +49(2154)921400
United Kingdom / London	TEL : +44(1)908-282-666	FAX : +44(1)908-282-528
France / Paris	TEL : +33(0)1 56 97 30 60	FAX : +33(0) 1 56 97 30 80
China / Hong Kong	TEL : +852(2)740-6262	FAX : +852(2)375-8971
Shanghai	TEL : +86(21)6279-2727	FAX : +86(21)6247-2066
Dilian	TEL : +86(411)8230-8549	FAX : +86(411)8230-8537
Beijing	TEL : +86(10)8525-2483	FAX : +86(10)8525-2489
Taiwan / Taipei	TEL : +866(2)2500-6956	FAX : +866(2)2503-2869
Korea / Seoul	TEL : +82(2)8182-700	FAX : +82(2)8182-715
Singapore	TEL : +65-6332-2322	FAX : +65-6332-5662
Malaysia / Kuala Lumpur	TEL : +60(3)7958-8355	FAX : +60(3)7958-8377
Philippines / Manila	TEL : +63(2)807-6872	FAX : +63(2)809-1422
Thailand / Bangkok	TEL : +66(2)254-4890	FAX : +66(2)256-6334

Japan /
(Internal Sales)

Tokyo	2-1-1, Yaesu, Chuo-ku, Tokyo 104-0082	TEL : +81(3)5203-0321	FAX : +81(3)5203-0300
Yokohama	2-4-8, Shin Yokohama, Kohoku-ku, Yokohama, Kanagawa 222-8575	TEL : +81(45)476-2131	FAX : +81(45)476-2128
Nagoya	Dainagayo Building 9F 3-28-12, Meieki, Nakamura-ku, Nagoya, Aichi 450-0002	TEL : +81(52)581-8521	FAX : +81(52)561-2173
Kyoto	579-32 Higashi Shiokouji-cho, Karasuma Nishi-iru, Shiokoujidori, Shimogyo-ku, Kyoto 600-8216	TEL : +81(75)311-2121	FAX : +81(75)314-6559

(Contact address for overseas customers in Japan)

Yokohama	TEL : +81(45)476-9270	FAX : +81(045)476-9271
----------	-----------------------	------------------------