

## TONE CONTROL DIGITALLY CONTROLLED AUDIO PROCESSOR

### 1 FEATURES

- INPUT MULTIPLEXER
  - 2 STEREO INPUTS
  - SELECTABLE INPUT GAIN FOR OPTIMAL ADAPTATION TO DIFFERENT SOURCES
- ONE STEREO OUTPUT
- TREBLE, AND BASS CONTROL IN 2.0dB STEPS
- VOLUME CONTROL IN 1.0dB STEPS
- TWO SPEAKER ATTENUATORS:
  - TWO INDEPENDENT SPEAKER CONTROL IN 1.0dB STEPS FOR BALANCE FACILITY
  - INDEPENDENT MUTE FUNCTION
- ALL FUNCTION ARE PROGRAMMABLE VIA SERIAL BUS

### 2 DESCRIPTION

The TDA7449 is a volume tone (bass and treble) balance (Left/Right) processor for quality audio

Figure 1. Package

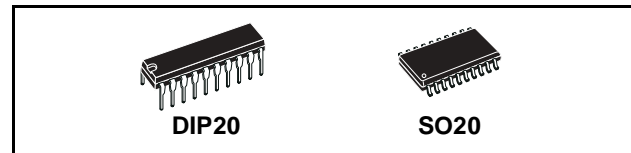


Table 1. Order Codes

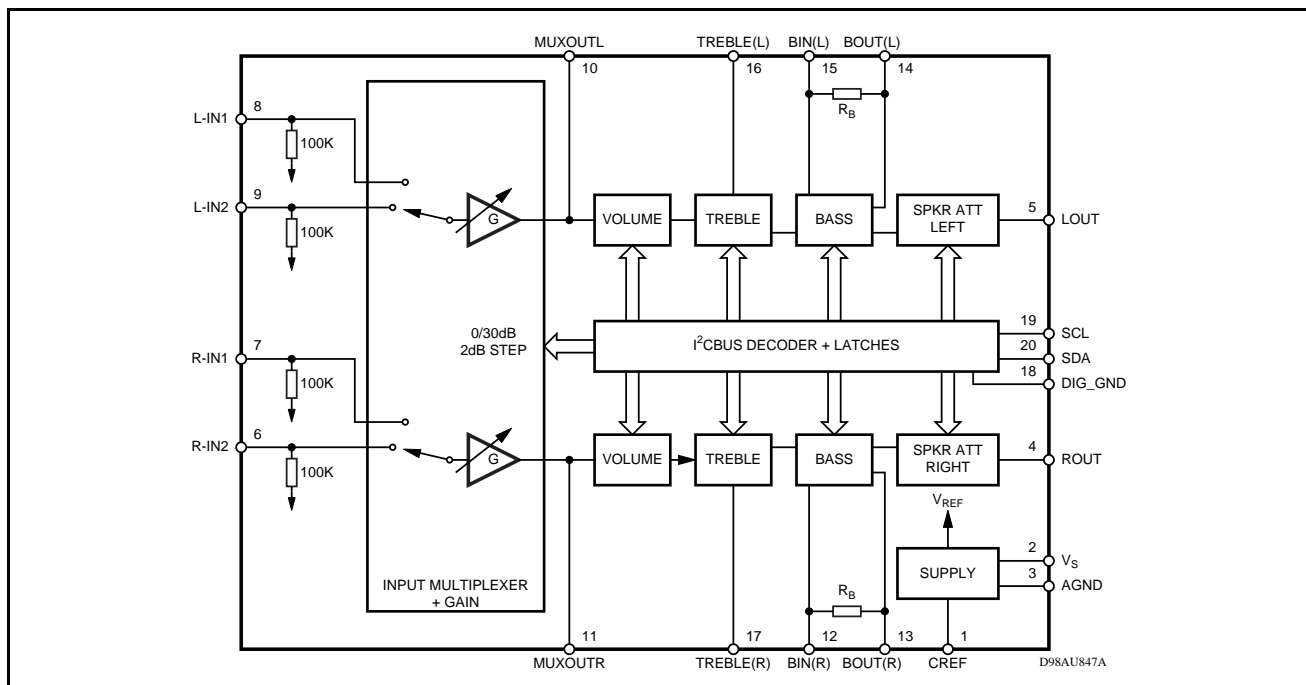
| Part Number | Package |
|-------------|---------|
| TDA7449     | DIP20   |
| TDA7449D    | SO20    |

applications in TV systems. Selectable input gain is provided. Control of all the functions is accomplished by serial bus.

The AC signal setting is obtained by resistor networks and switches combined with operational amplifiers.

Thanks to the used BIPOLAR/CMOS Technology, Low Distortion, Low Noise and DC stepping are obtained.

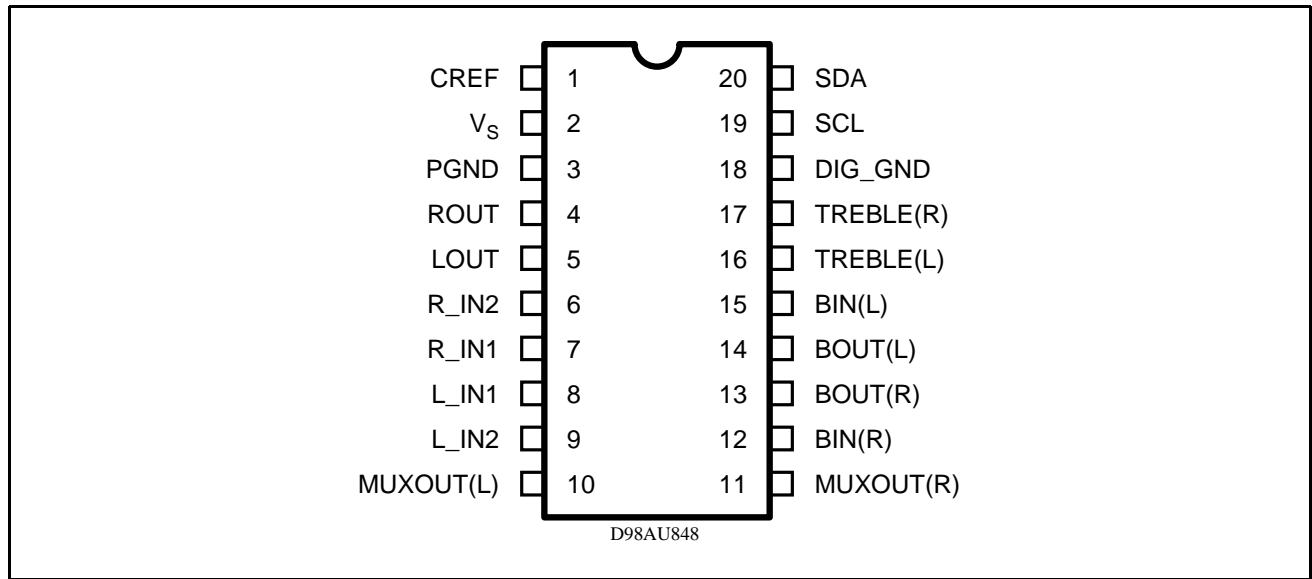
Figure 2. Block Diagram



**Table 2. Absolute Maximum Ratings**

| Symbol           | Parameter                     | Value      | Unit |
|------------------|-------------------------------|------------|------|
| V <sub>S</sub>   | Operating Supply Voltage      | 10.5       | V    |
| T <sub>amb</sub> | Operating Ambient Temperature | 0 to 70    | °C   |
| T <sub>stg</sub> | Storage Temperature Range     | -55 to 150 | °C   |

**Figure 3. Pin Connection**



**Table 3. Thermal Data**

| Symbol                | Parameter                         | Value | Unit |
|-----------------------|-----------------------------------|-------|------|
| R <sub>th j-pin</sub> | Thermal Resistance Junction- pins | 85    | °C/W |

**Table 4. Quick Reference Data**

| Symbol          | Parameter   | Min. | Typ. | Max. | Unit             |
|-----------------|---|------|------|------|------------------|
| V <sub>S</sub>  | Supply Voltage  | 6    | 9    | 10.2 | V                |
| V <sub>CL</sub> | Max Input Signal Handling                                   | 2    |      |      | V <sub>RMS</sub> |
| THD             | Total Harmonic Distortion V = 0.1Vrms f = 1KHz              |      | 0.01 | 0.1  | %                |
| S/N             | Signal to Noise Ratio V <sub>out</sub> = 1Vrms (mode = OFF) |      | 106  |      | dB               |
| S <sub>C</sub>  | Channel Separation f = 1KHz                                 |      | 90   |      | dB               |
|                 | Input Gain (2dB step)                                       | 0    |      | 30   | dB               |
|                 | Volume Control (1dB step)                                   | -47  |      | 0    | dB               |
|                 | Treble Control (2dB step)                                   | -14  |      | 14   | dB               |
|                 | Bass Control (2dB step)                                     | -14  |      | 14   | dB               |
|                 | Balance Control 1dB step                                    | -79  |      | 0    | dB               |
|                 | Mute Attenuation  |      | 100  |      | dB               |

**Table 5. Electrical Characteristics** (refer to the test circuit  $T_{amb} = 25^{\circ}\text{C}$ ,  $V_S = 9\text{V}$ ,  $R_L = 10\text{k}\Omega$ ,  $R_G = 600\Omega$ , all controls flat ( $G = 0\text{dB}$ ), unless otherwise specified)

| Symbol                    | Parameter                    | Test Condition  | Min.  | Typ.  | Max.  | Unit             |
|---------------------------|------------------------------|---|-------|-------|-------|------------------|
| <b>SUPPLY</b>             |                              |   |       |       |       |                  |
| $V_S$                     | Supply Voltage               |   | 6     | 9     | 10.2  | V                |
| $I_S$                     | Supply Current               |   |       | 7     |       | mA               |
| SVR                       | Ripple Rejection             |   | 60    | 90    |       | dB               |
| <b>INPUT STAGE</b>        |                              |   |       |       |       |                  |
| $R_{IN}$                  | Input Resistance             |   |       | 100   |       | $\text{k}\Omega$ |
| $V_{CL}$                  | Clipping Level               | THD = 0.3%  | 2     | 2.5   |       | V <sub>rms</sub> |
| $S_{IN}$                  | Input Separation             | The selected input is grounded through a $2.2\mu$ capacitor | 80    | 100   |       | dB               |
| $G_{inmin}$               | Minimum Input Gain           |   | -1    | 0     | 1     | dB               |
| $G_{inmax}$               | Maximum Input Gain           |   |       | 30    |       | dB               |
| $G_{step}$                | Step Resolution              |   |       | 2     |       | dB               |
| <b>VOLUME CONTROL</b>     |                              |   |       |       |       |                  |
| $C_{RANGE}$               | Control Range                |   | 45    | 47    | 49    | dB               |
| $A_{VMAX}$                | Max. Attenuation             |   | 45    | 47    | 49    | dB               |
| $A_{STEP}$                | Step Resolution              |   | 0.5   | 1     | 1.5   | dB               |
| $E_A$                     | Attenuation Set Error        | $A_V = 0$ to $-24\text{dB}$                                 | -1.0  | 0     | 1.0   | dB               |
|                           |                              | $A_V = -24$ to $-47\text{dB}$                               | -1.5  | 0     | 1.5   | dB               |
| $E_T$                     | Tracking Error               | $A_V = 0$ to $-24\text{dB}$                                 |       | 0     | 1     | dB               |
|                           |                              | $A_V = -24$ to $-47\text{dB}$                               |       | 0     | 2     | dB               |
| $V_{DC}$                  | DC Step                      | adjacent attenuation steps                                  |       | 0     | 3     | mV               |
|                           |                              | from $0\text{dB}$ to $A_V$ max                              |       | 0.5   |       | mV               |
| $A_{mute}$                | Mute Attenuation             |   | 80    | 100   |       | dB               |
| <b>BASS CONTROL (1)</b>   |                              |   |       |       |       |                  |
| $G_b$                     | Control Range                | Max. Boost/cut  | +12.0 | +14.0 | +16.0 | dB               |
| $B_{STEP}$                | Step Resolution              |   | 1     | 2     | 3     | dB               |
| $R_b$                     | Internal Feedback Resistance |   | 18.75 | 25    | 31.25 | $\text{k}\Omega$ |
| <b>TREBLE CONTROL (1)</b> |                              |   |       |       |       |                  |
| $G_t$                     | Control Range                | Max. Boost/cut  | +13.0 | +14.0 | +15.0 | dB               |
| $T_{STEP}$                | Step Resolution              |   | 1     | 2     | 3     | dB               |

Table 5. Electrical Characteristics (continued)

| SPEAKER ATTENUATORS |                                |   |      |      |      |           |
|---------------------|--------------------------------|---|------|------|------|-----------|
| $C_{RANGE}$         | Control Range                  |   |      | 76   |      | dB        |
| $S_{STEP}$          | Step Resolution                |   | 0.5  | 1    | 1.5  | dB        |
| $E_A$               | Attenuation Set Error          | $A_V = 0$ to $-20$ dB                       | -1.5 | 0    | 1.5  | dB        |
|                     |                                | $A_V = -20$ to $-56$ dB                     | -2   | 0    | 2    | dB        |
| $V_{DC}$            | DC Step                        | adjacent attenuation steps                  |      | 0    | 3    | mV        |
| $A_{mute}$          | Mute Attenuation               |   | 80   | 100  |      | dB        |
| AUDIO OUTPUTS       |                                |   |      |      |      |           |
| $V_{CLIP}$          | Clipping Level                 | $d = 0.3\%$                                 | 2.1  | 2.6  |      | $V_{RMS}$ |
| $R_L$               | Output Load Resistance         |   | 2    |      |      | $K\Omega$ |
| $R_O$               | Output Impedance               |   | 10   | 40   | 70   | W         |
| $V_{DC}$            | DC Voltage Level               |   |      | 3.8  |      | V         |
| GENERAL             |                                |   |      |      |      |           |
| $E_{NO}$            | Output Noise                   | All gains = 0dB;<br>BW = 20Hz to 20KHz flat |      | 5    | 15   | $\mu V$   |
| $E_t$               | Total Tracking Error           | $A_V = 0$ to $-24$ dB                       |      | 0    | 1    | dB        |
|                     |                                | $A_V = -24$ to $-47$ dB                     |      | 0    | 2    | dB        |
| S/N                 | Signal to Noise Ratio          | All gains 0dB; $V_O = 1V_{RMS}$ ;           |      | 106  |      | dB        |
| $S_C$               | Channel Separation Left/Right  |   | 80   | 100  |      | dB        |
| d                   | Distortion                     | $A_V = 0$ ; $V_I = 1V_{RMS}$ ;              |      | 0.01 | 0.08 | %         |
| BUS INPUT           |                                |   |      |      |      |           |
| $V_{IL}$            | Input Low Voltage              |   |      |      | 1    | V         |
| $V_{IH}$            | Input High Voltage             |   | 3    |      |      | V         |
| $I_{IN}$            | Input Current                  | $V_{IN} = 0.4V$                             | -5   |      | 5    | $\mu A$   |
| $V_O$               | Output Voltage SDA Acknowledge | $I_O = 1.6mA$                               |      | 0.4  | 0.8  | V         |

Note: 1. The device is functionally good at  $V_S = 5V$ . a step down, on  $V_S$ , to 4V does't reset the device.

2. BASS and TREBLE response: The center frequency and the response quality can be chosen by the external circuitry.

Figure 4. P.C.Board (Referred to DIP20 package only)

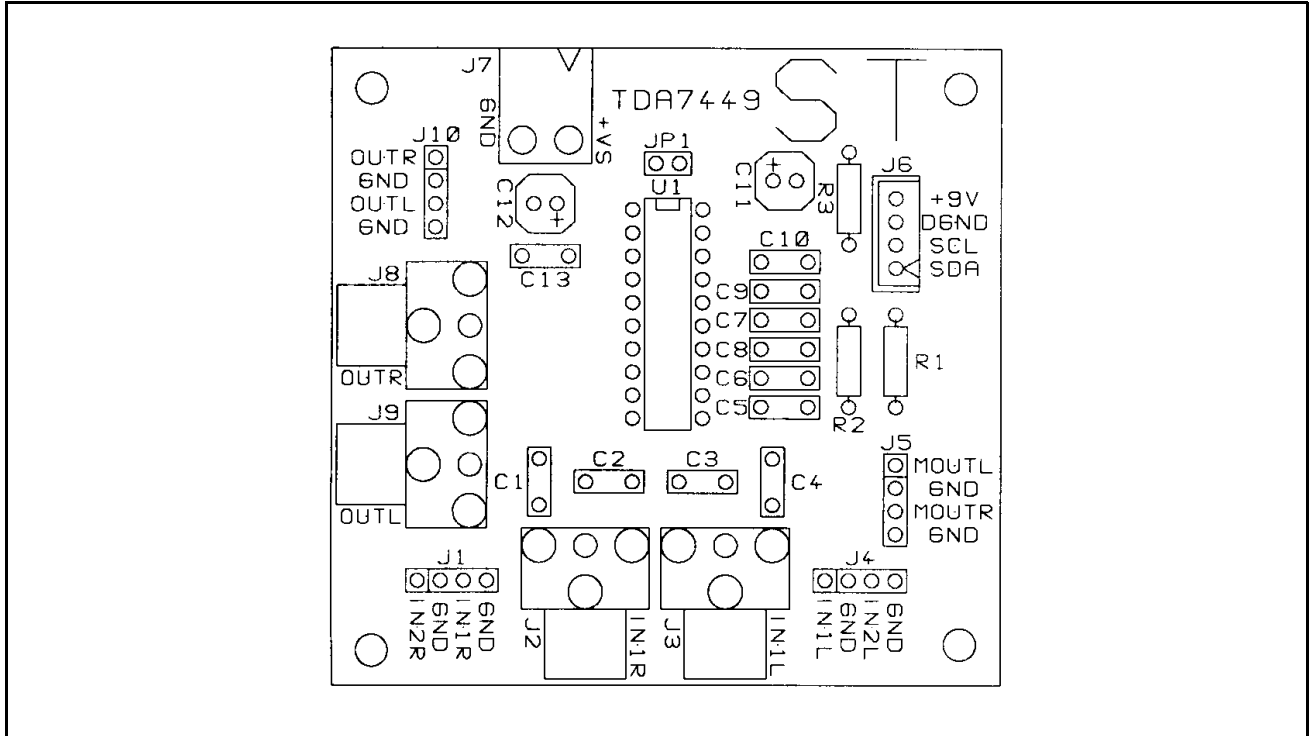
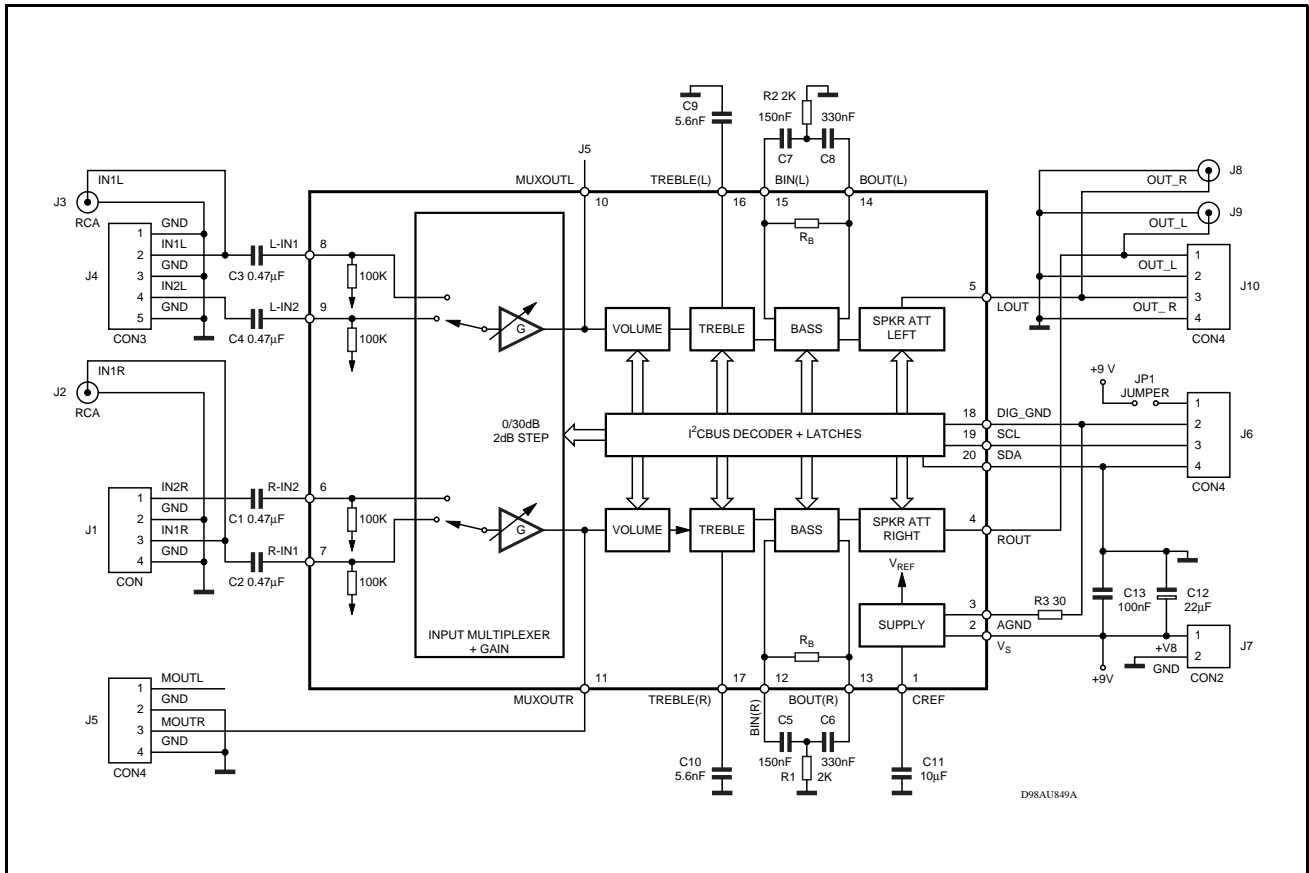


Figure 5. Test Circuit



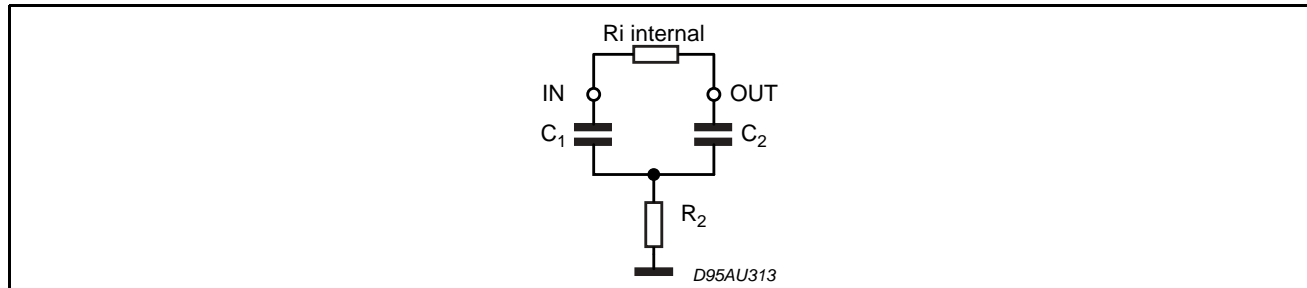
### 3 APPLICATION SUGGESTIONS

The first and the last stages are volume control blocks. The control range is 0 to -47dB (mute) for the first one, 0 to -79dB (mute) for the last one. Both of them have 1dB step resolution. The very high resolution allows the implementation of systems free from any noisy acoustical effect. The TDA7449 audioprocessor provides 2 bands tones control.

#### 3.1 Bass, Stages

The Bass cell has an internal resistor  $R_i = 25K\Omega$  typical. Several filter types can be implemented, connecting external components to the Bass IN and OUT pins. The fig.6 refers to basic T Type Bandpass Filter starting from the filter component values ( $R_1$  internal  $F_c$ , the gain  $A_v$  at max. boost and the filter Q factor are computed as follows:

Figure 6.



$$F_c = \frac{1}{2 \cdot \pi \cdot \sqrt{R_1 \cdot R_2 \cdot C_1 \cdot C_2}}$$

$$A_v = \frac{R_2 C_2 + R_2 C_1 + R_i C_1}{R_2 C_1 + R_2 C_2}$$

$$Q = \frac{\sqrt{R_1 \cdot R_2 \cdot C_1 \cdot C_2}}{R_2 C_1 + R_2 C_2}$$

Viceversa, once  $F_c$ ,  $A_v$ , and  $R_i$  internal value are fixed, the external components values will be:

$$C_1 = \frac{A_v - 1}{2 \cdot \pi \cdot F_c \cdot R_i \cdot Q} \quad C_2 = \frac{Q^2 \cdot C_1}{A_v - 1 - Q^2}$$

$$R_2 = \frac{A_v - 1 - Q^2}{2 \cdot \pi \cdot C_1 \cdot F_c \cdot (A_v - 1) \cdot Q}$$

#### 3.2 Treble Stage

The treble stage is a high pass filter whose time constant is fixed by an internal resistor (25K $\Omega$  typical) and an external capacitor connected between treble pins and ground. Typical responses are reported in Figg. 10 to 13.

#### 3.3 CREF

The suggested 10 $\mu$ F reference capacitor (CREF) value can be reduced to 4.7 $\mu$ F if the application requires faster power ON.

Figure 7. THD vs. frequency

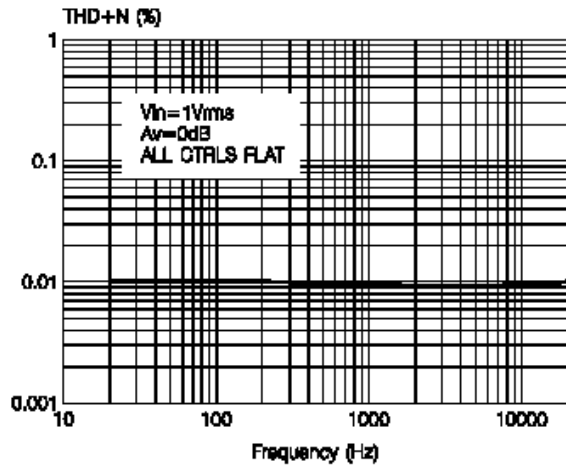


Figure 10. Bass response

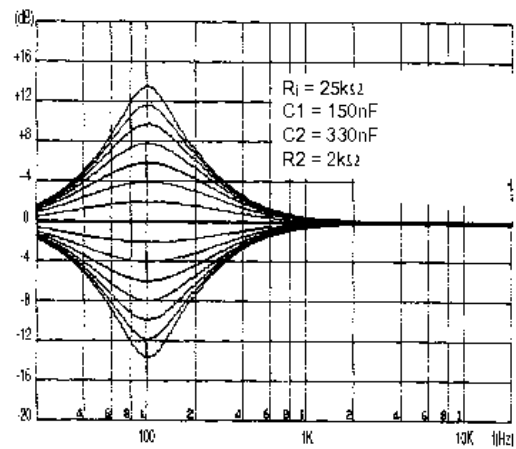


Figure 8. THD vs. RLOAD

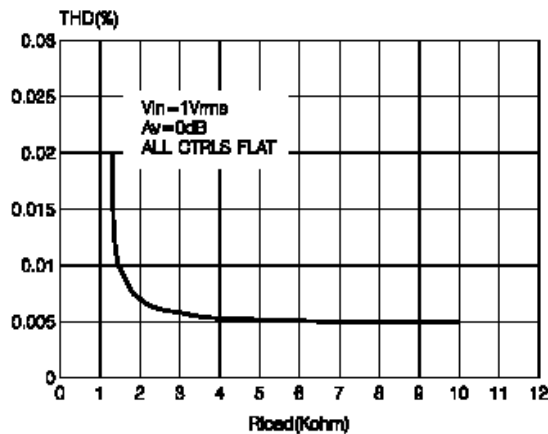


Figure 11. Treble response

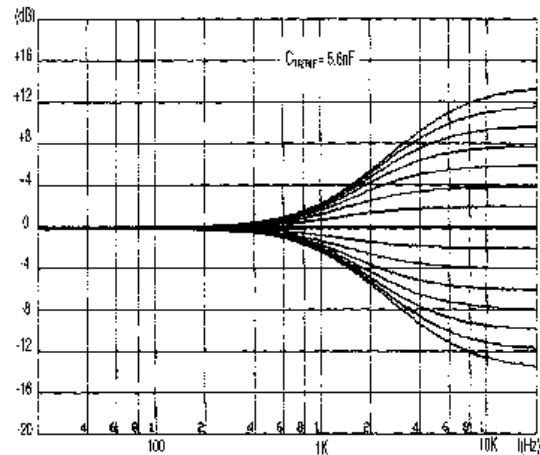
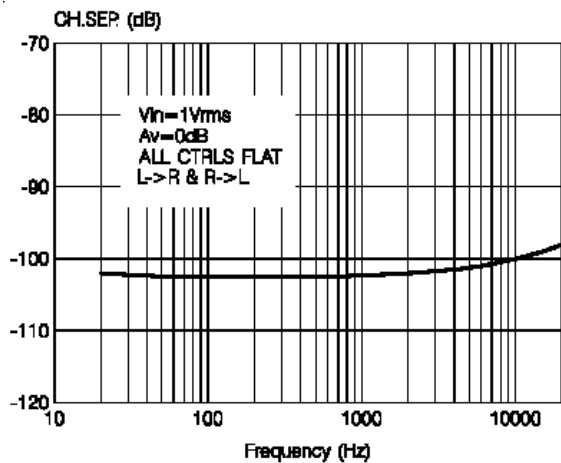


Figure 9. Channel separation vs. frequency



## 4 I<sup>2</sup>C BUS INTERFACE

Data transmission from microprocessor to the TDA7449 and vice versa takes place through the 2 wires I<sup>2</sup>C BUS interface, consisting of the two lines SDA and SCL (pull-up resistors to positive supply voltage must be connected).

### 4.1 Data Validity

As shown in fig. 12, the data on the SDA line must be stable during the high period of the clock. The HIGH and LOW state of the data line can only change when the clock signal on the SCL line is LOW.

### 4.2 Start and Stop Conditions

As shown in fig.13 a start condition is a HIGH to LOW transition of the SDA line while SCL is HIGH. The stop condition is a LOW to HIGH transition of the SDA line while SCL is HIGH.

### 4.3 Byte Format

Every byte transferred on the SDA line must contain 8 bits. Each byte must be followed by an acknowledge bit. The MSB is transferred first.

### 4.4 Acknowledge

The master ( $\mu$ P) puts a resistive HIGH level on the SDA line during the acknowledge clock pulse (see fig. 14). The peripheral (audio processor) that acknowledges has to pull-down (LOW) the SDA line during this clock pulse.

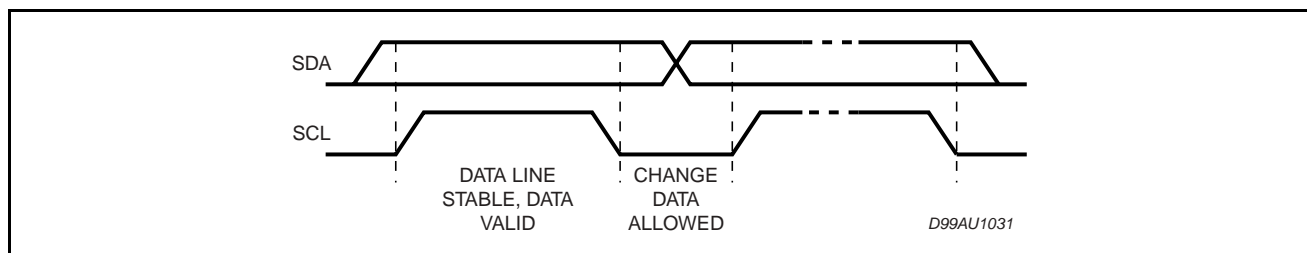
The audio processor which has been addressed has to generate an acknowledge after the reception of each byte, otherwise the SDA line remains at the HIGH level during the ninth clock pulse time. In this case the master transmitter can generate the STOP information in order to abort the transfer.

### 4.5 Transmission without Acknowledge

Avoiding to detect the acknowledge of the audio processor, the  $\mu$ P can use a simpler transmission: simply it waits one clock without checking the slave acknowledging, and sends the new data.

This approach of course is less protected from misworking.

**Figure 12. Data Validity on the I<sup>2</sup>C BUS**



**Figure 13. Timing Diagram of I<sup>2</sup>C BUS**

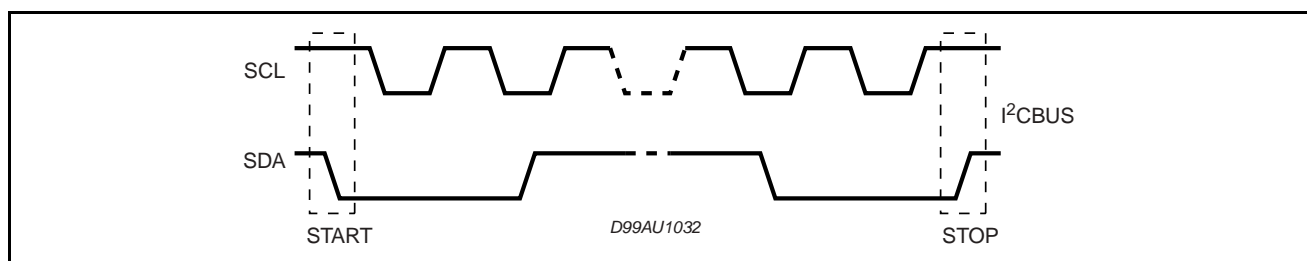
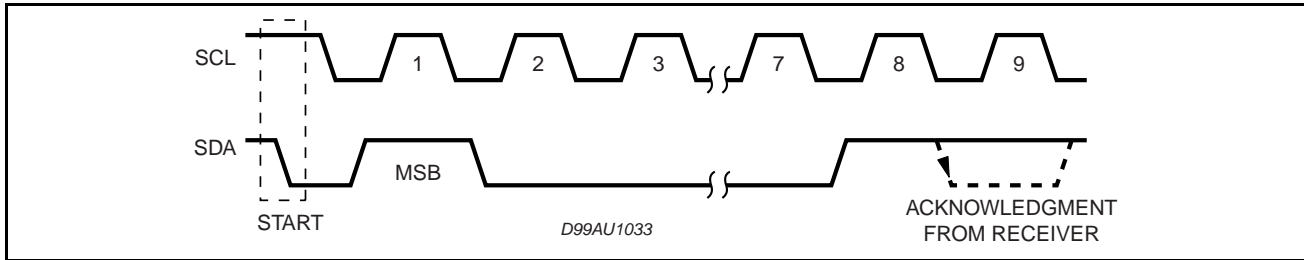




Figure 14. Acknowledge on the I<sup>2</sup>C BUS

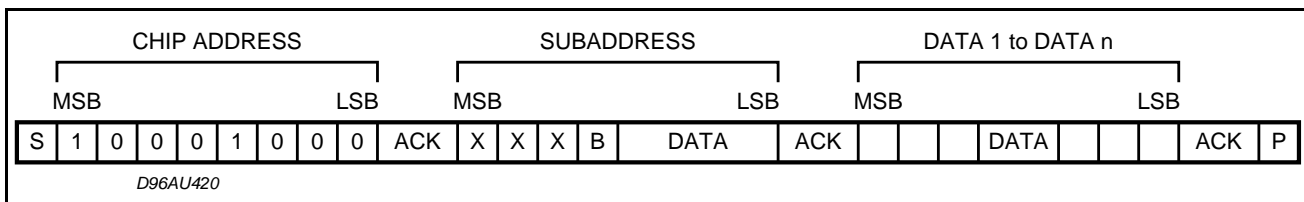
## 5 SOFTWARE SPECIFICATION

### 5.1 Interface Protocol

The interface protocol comprises:

- A start condition (S)
- A chip address byte, containing the TDA7449 address
- A subaddress bytes
- A sequence of data (N byte + acknowledge)
- A stop condition (P)

Figure 15.



ACK = Acknowledge

S = Start

P = Stop

A = Address

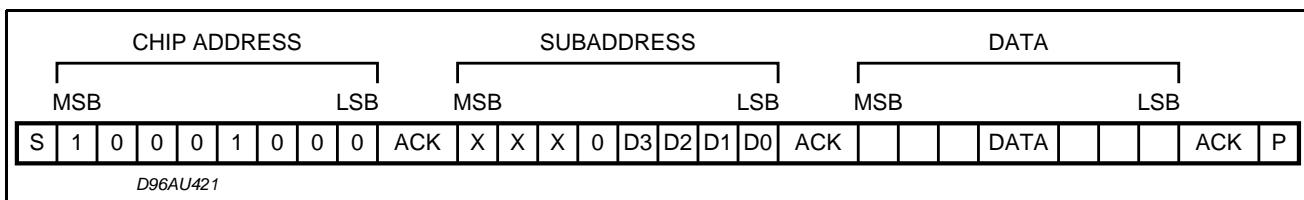
B = Auto Increment

## 6 EXAMPLES

### 6.1 No Incremental Bus

The TDA7449 receives a start condition, the correct chip address, a subaddress with the B = 0 (no incremental bus), N-data (all these data concern the subaddress selected), a stop condition.

Figure 16.



### 6.2 Incremental Bus

The TDA7449 receive a start conditions, the correct chip address, a subaddress with the B = 1 incremental bus): now it is in a loop condition with an autoincrease of the subaddress whereas SUBADDRESS from "XXX1000" to "XXX1111" of DATA are ignored.

The DATA 1 concern the subaddress sent, and the DATA 2 concern the subaddress sent plus one in the loop etc, and at the end it receivers the stop condition.

Figure 17.

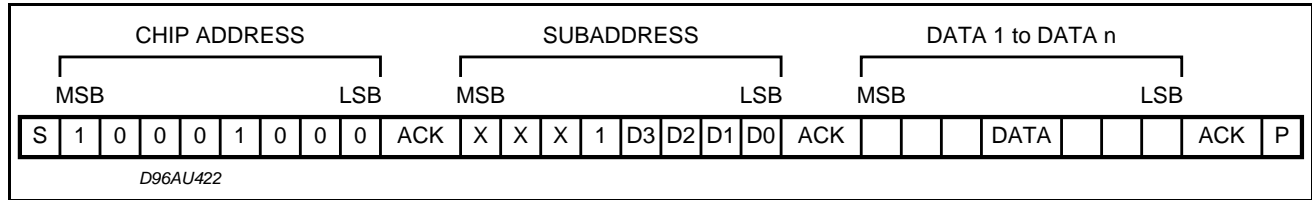


Table 6. POWER ON RESET CONDITION

|                 |      |
|-----------------|------|
| INPUT SELECTION | IN2  |
| INPUT GAIN      | 28dB |
| VOLUME          | MUTE |
| BASS            | 0dB  |
| TREBLE          | 2dB  |
| SPEAKER         | MUTE |

## 7 DATA BYTES

Address = 88 HEX (ADDR:OPEN).

Table 7. FUNCTION SELECTION: First byte (subaddress)

| MSB |    |    |    |    |    |    | LSB | SUBADDRESS            |
|-----|----|----|----|----|----|----|-----|-----------------------|
| D7  | D6 | D5 | D4 | D3 | D2 | D1 | D0  |                       |
| X   | X  | X  | B  | 0  | 0  | 0  | 0   | INPUT SELECT          |
| X   | X  | X  | B  | 0  | 0  | 0  | 1   | INPUT GAIN            |
| X   | X  | X  | B  | 0  | 0  | 1  | 0   | VOLUME                |
| X   | X  | X  | B  | 0  | 0  | 1  | 1   | NOT ALLOWED           |
| X   | X  | X  | B  | 0  | 1  | 0  | 0   | BASS                  |
| X   | X  | X  | B  | 0  | 1  | 0  | 1   | TREBLE                |
| X   | X  | X  | B  | 0  | 1  | 1  | 0   | SPEAKER ATTENUATE "R" |
| X   | X  | X  | B  | 0  | 1  | 1  | 1   | SPEAKER ATTENUATE "L" |

B = 1: INCREMENTAL BUS ACTIVE  
 B = 0: NO INCREMENTAL BUS  
 X = DON'T CARE

Table 8. INPUT SELECTION

| MSB |    |    |    |    |    |    | LSB |             | INPUT MULTIPLEXER |
|-----|----|----|----|----|----|----|-----|-------------|-------------------|
| D7  | D6 | D5 | D4 | D3 | D2 | D1 | D0  |             |                   |
| X   | X  | X  | X  | X  | X  | 0  | 0   | NOT ALLOWED |                   |
| X   | X  | X  | X  | X  | X  | 0  | 1   | NOT ALLOWED |                   |
| X   | X  | X  | X  | X  | X  | 1  | 0   | IN2         |                   |
| X   | X  | X  | X  | X  | X  | 1  | 1   | IN1         |                   |

Table 9. INPUT GAIN SELECTION

| MSB |    |    |    |    |    |    | LSB |           | INPUT GAIN |
|-----|----|----|----|----|----|----|-----|-----------|------------|
| D7  | D6 | D5 | D4 | D3 | D2 | D1 | D0  | 2dB STEPS |            |
|     |    |    |    | 0  | 0  | 0  | 0   | 0dB       |            |
|     |    |    |    | 0  | 0  | 0  | 1   | 2dB       |            |
|     |    |    |    | 0  | 0  | 1  | 0   | 4dB       |            |
|     |    |    |    | 0  | 0  | 1  | 1   | 6dB       |            |
|     |    |    |    | 0  | 1  | 0  | 0   | 8dB       |            |
|     |    |    |    | 0  | 1  | 0  | 1   | 10dB      |            |
|     |    |    |    | 0  | 1  | 1  | 0   | 12dB      |            |
|     |    |    |    | 0  | 1  | 1  | 1   | 14dB      |            |
|     |    |    |    | 1  | 0  | 0  | 0   | 16dB      |            |
|     |    |    |    | 1  | 0  | 0  | 1   | 18dB      |            |
|     |    |    |    | 1  | 0  | 1  | 0   | 20dB      |            |
|     |    |    |    | 1  | 0  | 1  | 1   | 22dB      |            |
|     |    |    |    | 1  | 1  | 0  | 0   | 24dB      |            |
|     |    |    |    | 1  | 1  | 0  | 1   | 26dB      |            |
|     |    |    |    | 1  | 1  | 1  | 0   | 28dB      |            |
|     |    |    |    | 1  | 1  | 1  | 1   | 30dB      |            |

GAIN = 0 to 30dB

Table 10. VOLUME SELECTION

| MSB |    |    |    |    |    |    | LSB | VOLUME    |
|-----|----|----|----|----|----|----|-----|-----------|
| D7  | D6 | D5 | D4 | D3 | D2 | D1 | D0  | 1dB STEPS |
|     |    |    |    |    | 0  | 0  | 0   | 0dB       |
|     |    |    |    |    | 0  | 0  | 1   | -1dB      |
|     |    |    |    |    | 0  | 1  | 0   | -2dB      |
|     |    |    |    |    | 0  | 1  | 1   | -3dB      |
|     |    |    |    |    | 1  | 0  | 0   | -4dB      |
|     |    |    |    |    | 1  | 0  | 1   | -5dB      |
|     |    |    |    |    | 1  | 1  | 0   | -6dB      |
|     |    |    |    |    | 1  | 1  | 1   | -7dB      |
|     | 0  | 0  | 0  | 0  |    |    |     | 0dB       |
|     | 0  | 0  | 0  | 1  |    |    |     | -8dB      |
|     | 0  | 0  | 1  | 0  |    |    |     | -16dB     |
|     | 0  | 0  | 1  | 1  |    |    |     | -24dB     |
|     | 0  | 1  | 0  | 0  |    |    |     | -32dB     |
|     | 0  | 1  | 0  | 1  |    |    |     | -40dB     |
|     | X  | 1  | 1  | 1  | X  | X  | X   | MUTE      |

VOLUME = 0 to 47dB/MUTE

Table 11. BASS SELECTION

| MSB |    |    |    |    |    |    | LSB | BASS      |
|-----|----|----|----|----|----|----|-----|-----------|
| D7  | D6 | D5 | D4 | D3 | D2 | D1 | D0  | 2dB STEPS |
|     |    |    |    | 0  | 0  | 0  | 0   | -14dB     |
|     |    |    |    | 0  | 0  | 0  | 1   | -12dB     |
|     |    |    |    | 0  | 0  | 1  | 0   | -10dB     |
|     |    |    |    | 0  | 0  | 1  | 1   | -8dB      |
|     |    |    |    | 0  | 1  | 0  | 0   | -6dB      |
|     |    |    |    | 0  | 1  | 0  | 1   | -4dB      |
|     |    |    |    | 0  | 1  | 1  | 0   | -2dB      |
|     |    |    |    | 0  | 1  | 1  | 1   | 0dB       |
|     |    |    |    | 1  | 1  | 1  | 1   | 0dB       |
|     |    |    |    | 1  | 1  | 1  | 0   | 2dB       |
|     |    |    |    | 1  | 1  | 0  | 1   | 4dB       |
|     |    |    |    | 1  | 1  | 0  | 0   | 6dB       |
|     |    |    |    | 1  | 0  | 1  | 1   | 8dB       |
|     |    |    |    | 1  | 0  | 1  | 0   | 10dB      |
|     |    |    |    | 1  | 0  | 0  | 1   | 12dB      |
|     |    |    |    | 1  | 0  | 0  | 0   | 14dB      |

Table 12. TREBLE SELECTION

| MSB |    |    |    |    |    |    | LSB | TREBLE    |
|-----|----|----|----|----|----|----|-----|-----------|
| D7  | D6 | D5 | D4 | D3 | D2 | D1 | D0  | 2dB STEPS |
|     |    |    |    | 0  | 0  | 0  | 0   | -14dB     |
|     |    |    |    | 0  | 0  | 0  | 1   | -12dB     |
|     |    |    |    | 0  | 0  | 1  | 0   | -10dB     |
|     |    |    |    | 0  | 0  | 1  | 1   | -8dB      |
|     |    |    |    | 0  | 1  | 0  | 0   | -6dB      |
|     |    |    |    | 0  | 1  | 0  | 1   | -4dB      |
|     |    |    |    | 0  | 1  | 1  | 0   | -2dB      |
|     |    |    |    | 0  | 1  | 1  | 1   | 0dB       |
|     |    |    |    | 1  | 1  | 1  | 1   | 0dB       |
|     |    |    |    | 1  | 1  | 1  | 0   | 2dB       |
|     |    |    |    | 1  | 1  | 0  | 1   | 4dB       |
|     |    |    |    | 1  | 1  | 0  | 0   | 6dB       |
|     |    |    |    | 1  | 0  | 1  | 1   | 8dB       |
|     |    |    |    | 1  | 0  | 1  | 0   | 10dB      |
|     |    |    |    | 1  | 0  | 0  | 1   | 12dB      |
|     |    |    |    | 1  | 0  | 0  | 0   | 14dB      |

Table 13. SPEAKER ATTENUATE SELECTION

| MSB |    |    |    |    | LSB |    |    | SPEAKER ATTENUATION |
|-----|----|----|----|----|-----|----|----|---------------------|
| D7  | D6 | D5 | D4 | D3 | D2  | D1 | D0 | 1dB                 |
|     |    |    |    |    | 0   | 0  | 0  | 0dB                 |
|     |    |    |    |    | 0   | 0  | 1  | -1dB                |
|     |    |    |    |    | 0   | 1  | 0  | -2dB                |
|     |    |    |    |    | 0   | 1  | 1  | -3dB                |
|     |    |    |    |    | 1   | 0  | 0  | -4dB                |
|     |    |    |    |    | 1   | 0  | 1  | -5dB                |
|     |    |    |    |    | 1   | 1  | 0  | -6dB                |
|     |    |    |    |    | 1   | 1  | 1  | -7dB                |
|     |    |    |    |    |     |    |    |                     |
|     | 0  | 0  | 0  | 0  |     |    |    | 0dB                 |
|     | 0  | 0  | 0  | 1  |     |    |    | -8dB                |
|     | 0  | 0  | 1  | 0  |     |    |    | -16dB               |
|     | 0  | 0  | 1  | 1  |     |    |    | -24dB               |
|     | 0  | 1  | 0  | 0  |     |    |    | -32dB               |
|     | 0  | 1  | 0  | 1  |     |    |    | -40dB               |
|     | 0  | 1  | 1  | 0  |     |    |    | -48dB               |
|     | 0  | 1  | 1  | 1  |     |    |    | -56dB               |
|     | 1  | 0  | 0  | 0  |     |    |    | -64dB               |
|     | 1  | 0  | 0  | 1  |     |    |    | -72dB               |
|     | 1  | 1  | 1  | 1  | X   | X  | X  | MUTE                |

SPEAKER ATTENUATION = 0 to -79dB/MUTE

Figure 18. PIN :1

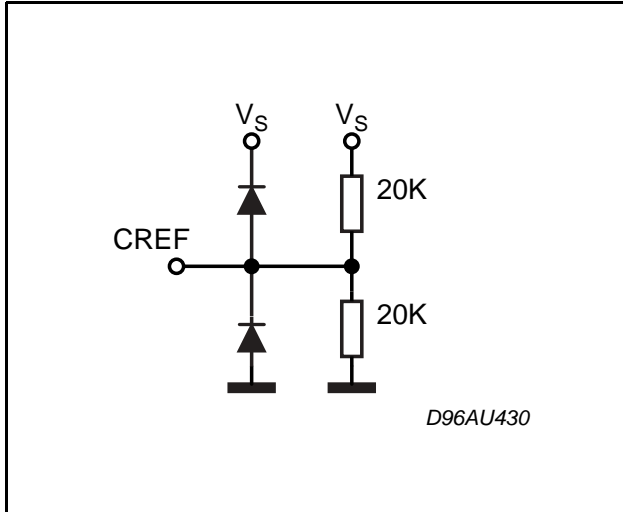


Figure 21. PINS: 10, 11

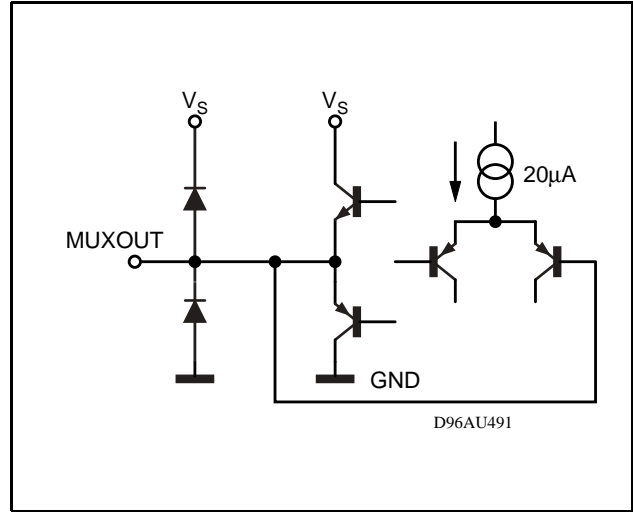


Figure 19. PINS: 4, 5

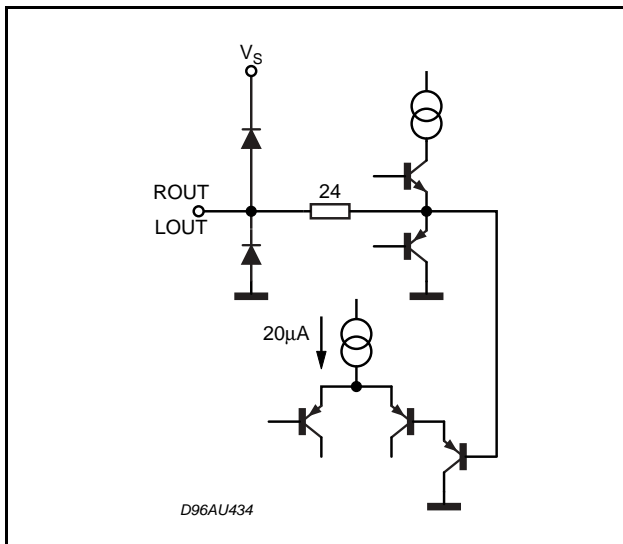


Figure 22. PINS: 12, 15

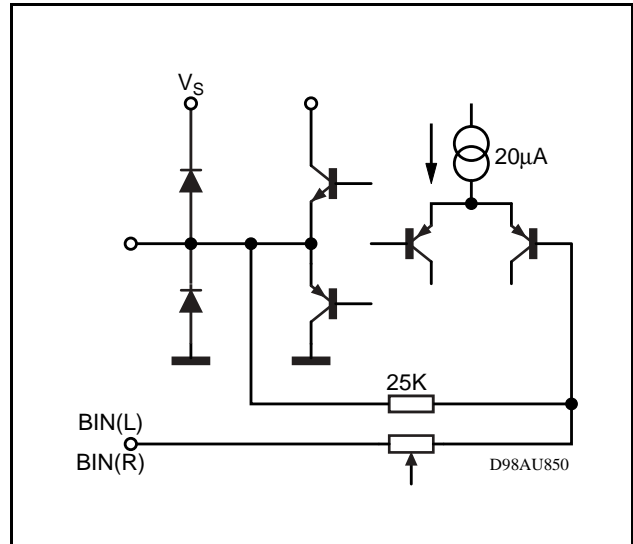


Figure 20. PINS: 6, 7, 8, 9

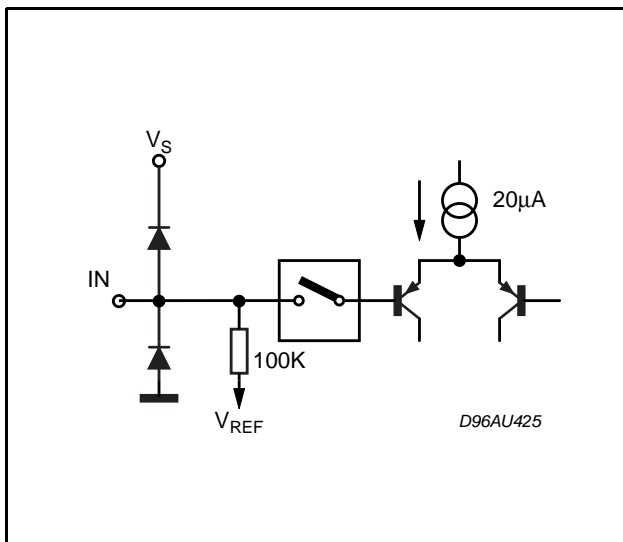


Figure 23. PINS: 13, 14,

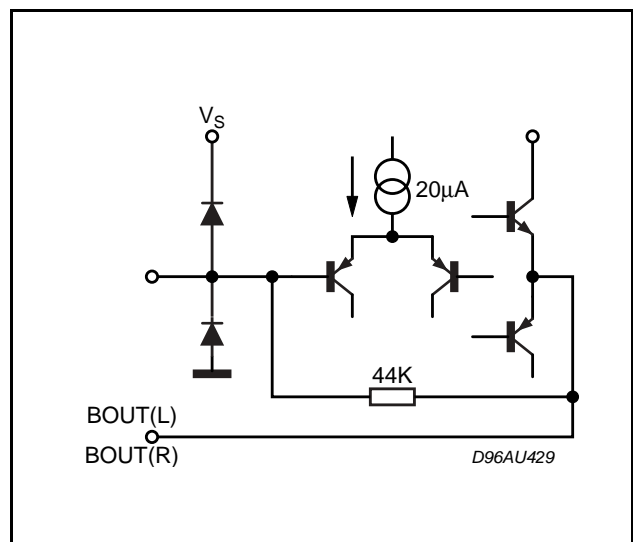


Figure 24. PINS: 16, 17

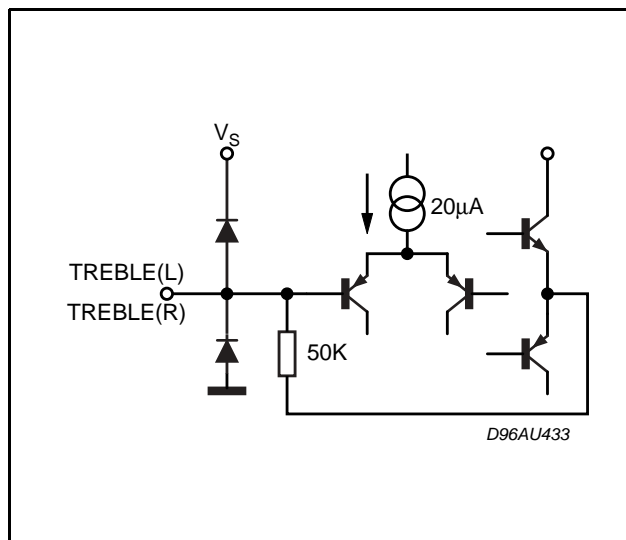


Figure 26. PIN 20

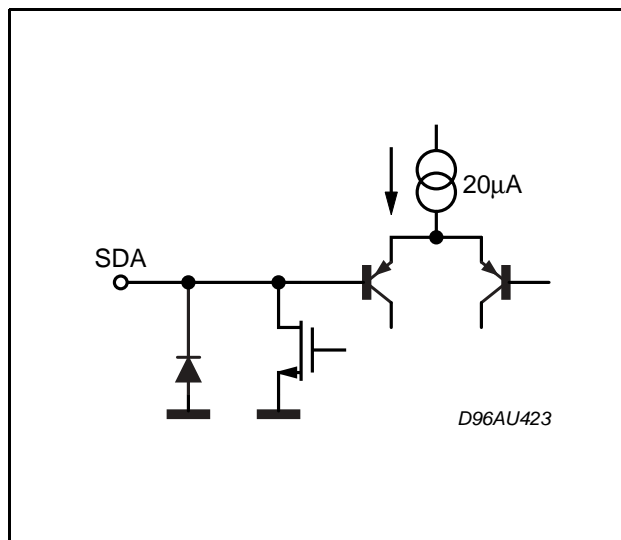


Figure 25. PIN: 19

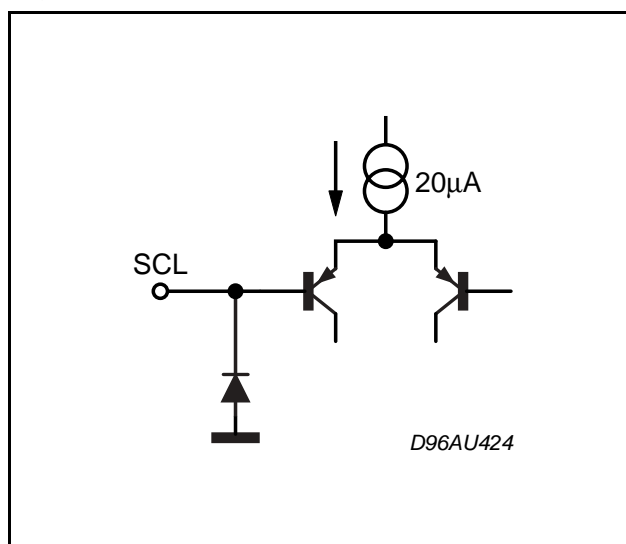
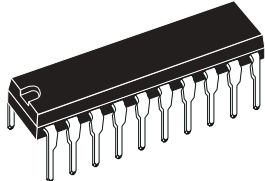


Figure 27. DIP20 Mechanical Data & Package Dimensions

| DIM. | mm    |       |      | inch  |       |       |
|------|-------|-------|------|-------|-------|-------|
|      | MIN.  | TYP.  | MAX. | MIN.  | TYP.  | MAX.  |
| a1   | 0.254 |       |      | 0.010 |       |       |
| B    | 1.39  |       | 1.65 | 0.055 |       | 0.065 |
| b    |       | 0.45  |      |       | 0.018 |       |
| b1   |       | 0.25  |      |       | 0.010 |       |
| D    |       |       | 25.4 |       |       | 1.000 |
| E    |       | 8.5   |      |       | 0.335 |       |
| e    |       | 2.54  |      |       | 0.100 |       |
| e3   |       | 22.86 |      |       | 0.900 |       |
| F    |       |       | 7.1  |       |       | 0.280 |
| I    |       |       | 3.93 |       |       | 0.155 |
| L    |       | 3.3   |      |       | 0.130 |       |
| Z    |       |       | 1.34 |       |       | 0.053 |

**OUTLINE AND MECHANICAL DATA**



**DIP20**

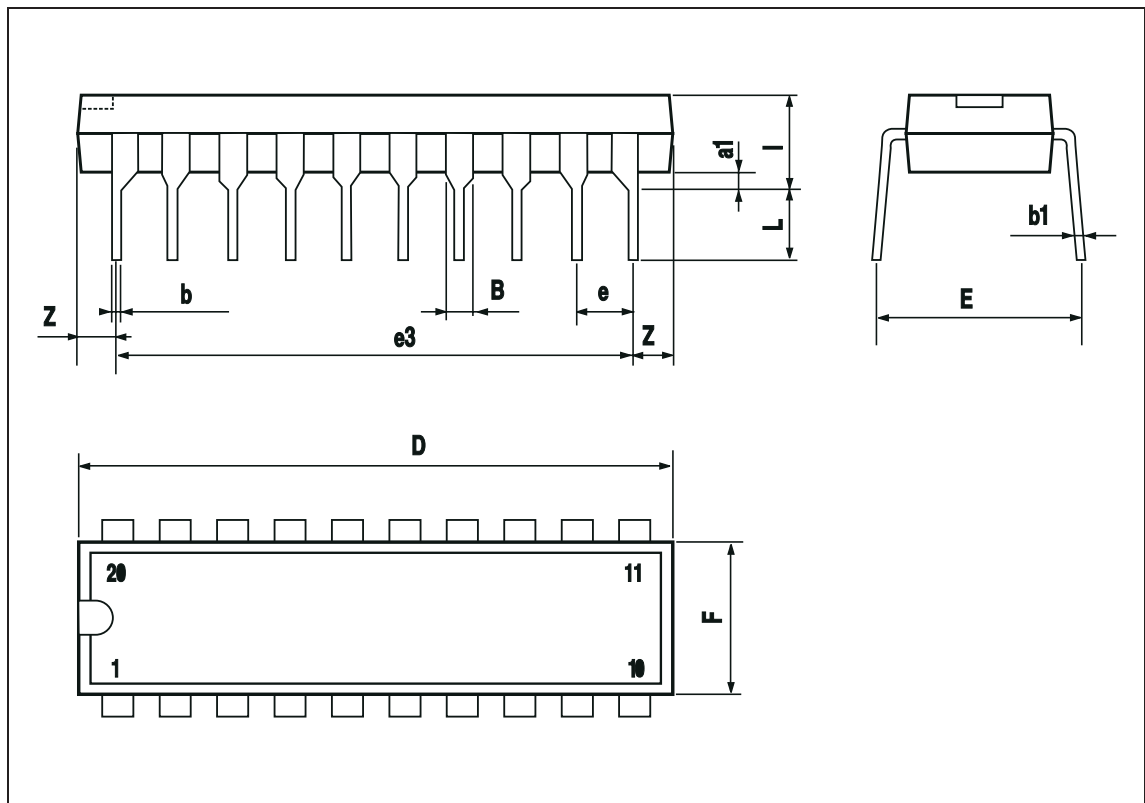


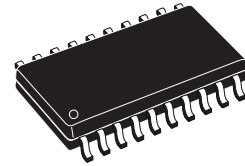


Figure 28. SO20 Mechanical Data &amp; Package Dimensions

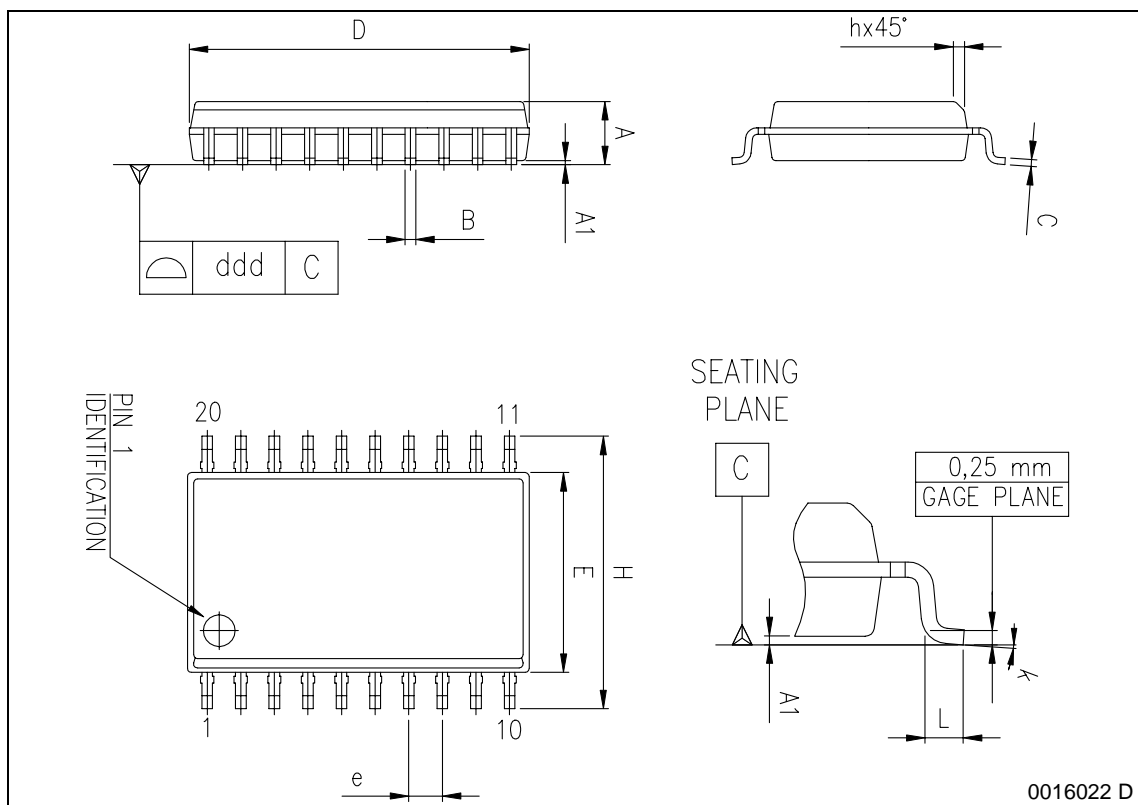
| DIM.  | mm                   |      |       | inch  |       |       |
|-------|----------------------|------|-------|-------|-------|-------|
|       | MIN.                 | TYP. | MAX.  | MIN.  | TYP.  | MAX.  |
| A     | 2.35                 |      | 2.65  | 0.093 |       | 0.104 |
| A1    | 0.10                 |      | 0.30  | 0.004 |       | 0.012 |
| B     | 0.33                 |      | 0.51  | 0.013 |       | 0.200 |
| C     | 0.23                 |      | 0.32  | 0.009 |       | 0.013 |
| D (1) | 12.60                |      | 13.00 | 0.496 |       | 0.512 |
| E     | 7.40                 |      | 7.60  | 0.291 |       | 0.299 |
| e     |                      | 1.27 |       |       | 0.050 |       |
| H     | 10.0                 |      | 10.65 | 0.394 |       | 0.419 |
| h     | 0.25                 |      | 0.75  | 0.010 |       | 0.030 |
| L     | 0.40                 |      | 1.27  | 0.016 |       | 0.050 |
| k     | 0° (min.), 8° (max.) |      |       |       |       |       |
| ddd   |                      |      | 0.10  |       |       | 0.004 |

(1) "D" dimension does not include mold flash, protusions or gate burrs. Mold flash, protusions or gate burrs shall not exceed 0.15mm per side.

### OUTLINE AND MECHANICAL DATA



### SO20



**Table 14. Revision History**

| <b>Date</b> | <b>Revision</b> | <b>Description of Changes</b>   |
|-------------|-----------------|---|
| March 2004  | 3               | Third Issue   |
| June 2004   | 4               | Modified the style-sheet in compliance with the last revision of the "Corporate Technical Publications Design Guide". |

Information furnished is believed to be accurate and reliable. However, STMicroelectronics assumes no responsibility for the consequences of use of such information nor for any infringement of patents or other rights of third parties which may result from its use. No license is granted by implication or otherwise under any patent or patent rights of STMicroelectronics. Specifications mentioned in this publication are subject to change without notice. This publication supersedes and replaces all information previously supplied. STMicroelectronics products are not authorized for use as critical components in life support devices or systems without express written approval of STMicroelectronics.

The ST logo is a registered trademark of STMicroelectronics.  
All other names are the property of their respective owners

© 2004 STMicroelectronics - All rights reserved

**STMicroelectronics GROUP OF COMPANIES**

Australia - Belgium - Brazil - Canada - China - Czech Republic - Finland - France - Germany - Hong Kong - India - Israel - Italy - Japan -  
Malaysia - Malta - Morocco - Singapore - Spain - Sweden - Switzerland - United Kingdom - United States

[www.st.com](http://www.st.com)