



# MULTIFUNCTION DUAL BRIDGE POWER AMPLIFIER WITH INTEGRATED DIGITAL DIAGNOSTICS

## Datasheet

### DOCUMENT HISTORY

Version	Release Date	Change Qualifier
Rev 3.0		Document change
Change Offset Voltage (pag.3): min=-45mV; max=45mV; Update of the "Package Mechanical Data" page.		

NOTICE: This document may have been revised since it was printed. Check Document Control System for latest version before using or copying.

© Copyright STMicroelectronics. Unauthorized reproduction and communication strictly prohibited.



**DOCUMENT APPROVAL**

Name	Function	Date
Cassani, Fabrizio		22-Mar-2004

NOTICE: This document may have been revised since it was printed. Check Document Control System for latest version before using or copying.

© Copyright STMicroelectronics. Unauthorized reproduction and communication strictly prohibited.



REFERENCED DOCUMENTS

Document Id	Document Type	Document Title	Relation Name
No References			

NOTICE: This document may have been revised since it was printed. Check Document Control System for latest version before using or copying.

© Copyright STMicroelectronics. Unauthorized reproduction and communication strictly prohibited.



**CUSTOM ATTRIBUTES**

<b>Alternate Identifier(s)</b>	<b>9110</b>
<b>Alternate Name</b>	
<b>Confidentiality Level</b>	<b>Public</b>
<b>ECN Number</b>	
<b>Original ID</b>	<b>9110</b>
<b>Original Repository</b>	<b>St Press</b>
<b>Revalidation Date</b>	<b>22-Mar-2006</b>
<b>Status</b>	<b>ACTIVE</b>
<b>Publishing scope</b>	<b>Public</b>
<b>Obsolete RPN(s)</b>	<b>TDA7575</b>
<b>Root Part Number(s)</b>	



## TDA7575PD

### MULTIFUNCTION DUAL BRIDGE POWER AMPLIFIER WITH INTEGRATED DIGITAL DIAGNOSTICS

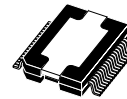
- DMOS POWER OUTPUT
- NON-SWITCHING HI-EFFICIENCY
- SINGLE-CHANNEL 1Ω DRIVING CAPABILITY
- HIGH OUTPUT POWER CAPABILITY 2x28W/4Ω @ 14.4V, 1KHZ, 10% THD, 2x40W/4Ω EIAJ
- MAX. OUTPUT POWER 2x75W/2Ω, 1x150W/1Ω
- SINGLE-CHANNEL 1Ω DRIVING CAPABILITY
  - 84W UNDISTORTED POWER
  - FULL I<sup>2</sup>C BUS DRIVING WITH 4 ADDRESS POSSIBILITIES:
  - ST-BY, PLAY/MUTE, GAIN 12/26dB, FULL DIGITAL DIAGNOSTIC
- POSSIBILITY TO DISABLE THE I<sup>2</sup>C
- DIFFERENTIAL INPUTS
- FULL FAULT PROTECTION
- DC OFFSET DETECTION
- TWO INDEPENDENT SHORT CIRCUIT PROTECTIONS
- CLIPPING DETECTOR PIN WITH SELECTABLE THRESHOLD (2%/10%)
- ST-BY/MUTE PINS

#### DESCRIPTION

The TDA7575PD is a new BCD technology DUAL BRIDGE type of car radio amplifier in PowerSO36 package specially intended for car radio applications. Thanks to the DMOS output stage the TDA7575PD

#### MULTIPOWER BCD TECHNOLOGY

#### MOSFET OUTPUT POWER STAGE



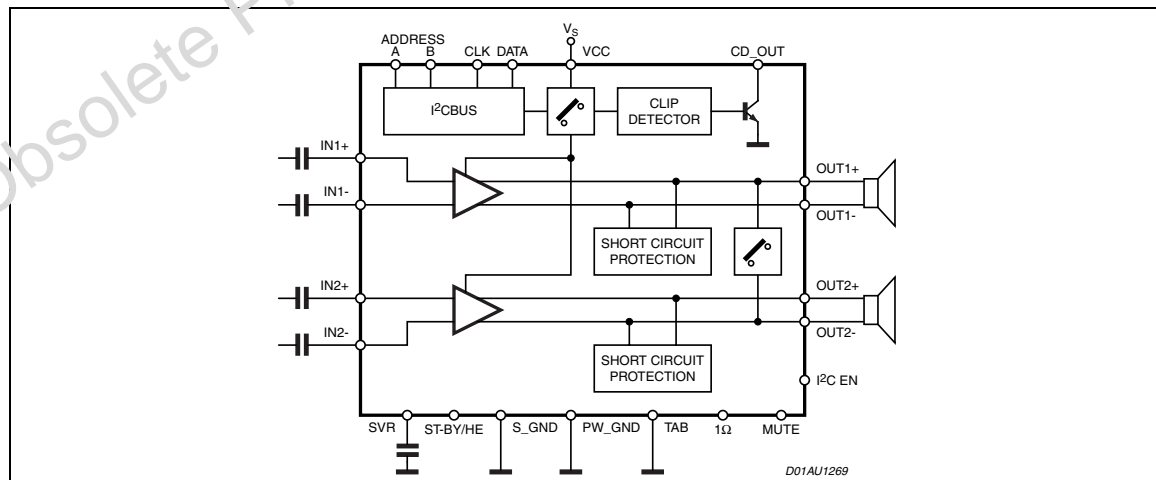
PowerSO36 (Slug up)

ORDERING NUMBER: TDA7575PD

has a very low distortion allowing a clear powerful sound. Among the features, its superior efficiency performance coming from the internal exclusive structure, makes it the most suitable device to simplify the thermal management in high power sets. The dissipated output power under average listening condition is in fact reduced up to 50% when compared to the level provided by conventional class AB solutions.

This device is equipped with a full diagnostic array that communicates the status of each speaker through the I<sup>2</sup>C bus. The TDA7575PD has also the possibility of driving loads down to 1Ω paralleling the outputs into a single channel. It is also possible to disable the I<sup>2</sup>C and control the TDA7575PD by means of the usual ST-BY and MUTE pins.

#### BLOCK DIAGRAM

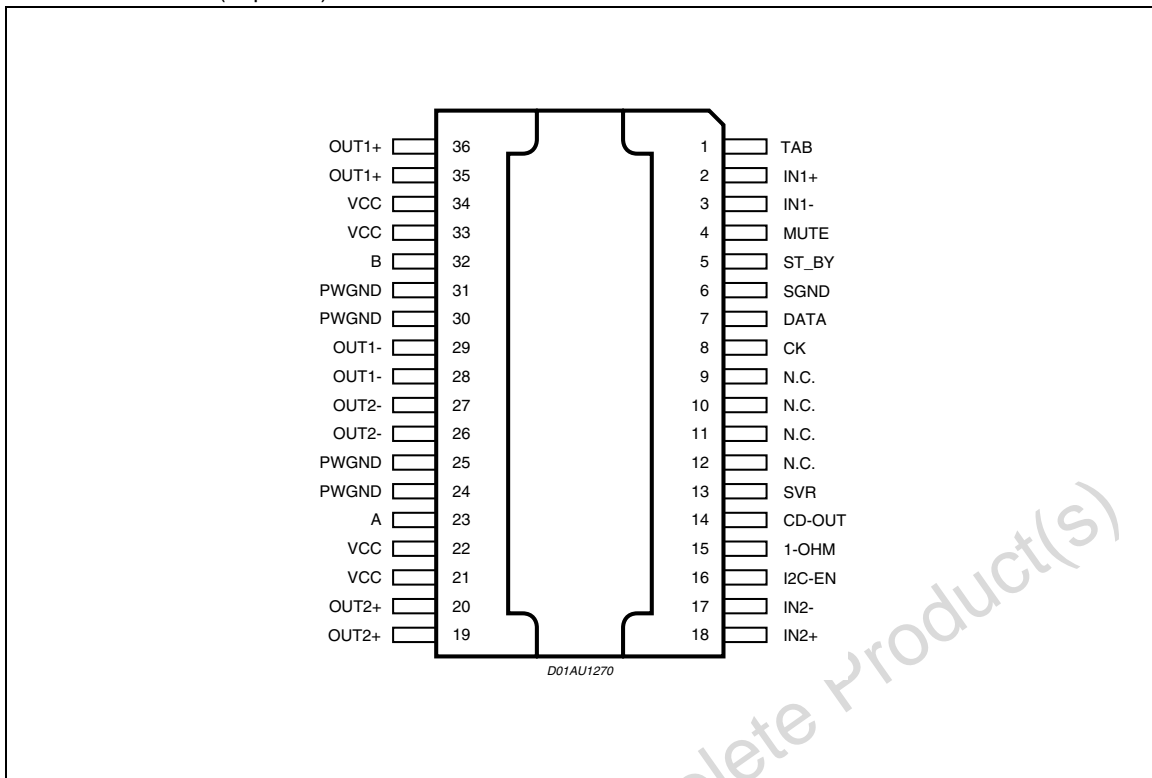


March 2004

1/17

## TDA7575PD

### PIN CONNECTION (Top view)



### ABSOLUTE MAXIMUM RATINGS

Symbol	Parameter	Value	Unit
$V_{op}$	Operating Supply Voltage	18	V
$V_S$	DC Supply Voltage	28	V
$V_{peak}$	Peak Supply Voltage (for $t = 50ms$ )	50	V
$V_{CK}$	CK pin Voltage	6	V
$V_{DATA}$	Data Pin Voltage	6	V
$I_O$	Output Peak Current (not repetitive $t = 100ms$ )	8	A
$I_O$	Output Peak Current (repetitive $f > 10Hz$ )	6	A
$P_{tot}$	Power Dissipation $T_{case} = 70^{\circ}C$	86	W
$T_{stg}, T_j$	Storage and Junction Temperature	-55 to 150	$^{\circ}C$

### THERMAL DATA

Symbol	Parameter	Value	Unit
$R_{th\ j-case}$	Thermal Resistance Junction-case	Max 1	$^{\circ}C/W$

**TDA7575PD****ELECTRICAL CHARACTERISTICS:** ( $V_S=14.4V$ ;  $f=1KHz$ ;  $R_L=4\Omega$ ;  $T_{amb}=25^\circ C$  unless otherwise specified)

Symbol	Parameter	Test Condition	Min.	Typ.	Max.	Unit
<b>POWER AMPLIFIER</b>						
$V_S$	Supply Voltage Range		8		18	V
$I_d$	Total Quiescent Drain Current		50	130	200	mA
$P_o$	Output Power	EIAJ ( $V_S = 13.7V$ )	35	40		W
		THD = 10% THD = 1%; BTL MODE	25	28 22		W W
		$R_L = 2\Omega$ ; EIAJ ( $V_S = 13.7V$ ) $R_L = 2\Omega$ ; THD 10% $R_L = 2\Omega$ ; THD 1% $R_L = 2\Omega$ ; MAX POWER	60 45 70	65 50 37 75		W W W W
		Single channel configuration ( $1\Omega$ pin $>2.5V$ ); $R_L = 1\Omega$ ; EIAJ ( $V_S = 13.7V$ ) THD 3% MAX POWER	125 80 140	130 84 150		W W W
THD	Total Harmonic Distortion	$P_O = 1-12W$ ; STD MODE HE MODE; $P_O = 1-2W$ HE MODE; $P_O = 4-8W$		0.03 0.03 0.5	0.1 0.1	% % %
		$P_O = 1-12W$ , $f = 10kHz$		0.15	0.5	%
		$R_L = 2$ ; HE MODE; $P_o = 3W$		0.03	0.5	%
		Single channel configuration ( $1\Omega$ pin $>2.5V$ ); $R_L = 1$ ; $P_O = 4-30W$		0.02	0.1	%
$C_T$	Cross Talk	$R_g = 600\Omega$ ; $P_O = 1W$	60	75		dB
$R_{IN}$	Input Impedance		60	100	130	$K\Omega$
$G_{V1}$	Voltage Gain 1 (default)		25	26	27	dB
$\Delta G_{V1}$	Voltage Gain Match 1		-1	0	1	dB
$G_{V2}$	Voltage Gain 2		11	12	13	dB
$\Delta G_{V2}$	Voltage Gain Match 2		-1	0	1	dB
$E_{IN1}$	Output Noise Voltage Gain 1	$R_g = 600\Omega$ ; $G_v = 26dB$ filter 20 to 22kHz		40	60	$\mu V$
$E_{IN2}$	Output Noise Voltage Gain 2	$R_g = 600\Omega$ ; $G_v = 12dB$ filter 20 to 22kHz		15	25	$\mu V$
SVR	Supply Voltage Rejection	$f = 100Hz$ to $10kHz$ ; $V_r = 1Vpk$ ; $R_g = 600\Omega$	50	60		dB
BW	Power Bandwidth	(-3dB)	100			KHz
$A_{SB}$	Stand-by Attenuation		90	100		dB
$I_{SB}$	Stand-by Current Consumption			2	20	$\mu A$
$A_M$	Mute Attenuation		80	90		dB
$V_{OS}$	Offset Voltage	Mute & Play	-45	0	45	mV
$V_{AM}$	Min. Supply Mute Threshold		7	7.5	8	V
CMRR	Input CMRR	$V_{CM} = 1Vpk-pk$ ; $R_g = 0\Omega$	50	60		dB



**TDA7575PD****ELECTRICAL CHARACTERISTICS:** (continued)

Symbol	Parameter	Test Condition	Min.	Typ.	Max.	Unit
V <sub>MC</sub>	Maximum common mode input level	f = 1kHz			1	V <sub>rms</sub>
SR	Slew Rate		1.5	4		V/μs
ΔV <sub>PM</sub>	Mute/Unmute Transient	A-weighted	-100	0	100	mV <sub>pp</sub>
ΔV <sub>TO</sub>	Mute/Stand-by Transient	A-weighted	-100	0	100	mV <sub>pp</sub>
T <sub>ON</sub>	Turn on Delay	D2 (IB1) 0 to 1		15	40	ms
T <sub>OFF</sub>	Turn off Delay	D2 (IB1) 1 to 0		15	40	ms
V <sub>OFF</sub>	St-By pin for St-By		0		1.5	V
V <sub>SB</sub>	St-By pin for standard bridge		3.5		5	V
V <sub>HE</sub>	St-By pin for Hi-eff		7		18	V
I <sub>O</sub>	St-By pin Current	1.5 < V <sub>stby/HE</sub> < 18V	7	160	200	μA
	St-By Pin Current	V <sub>stby</sub> < 1.5V	-10	0	10	μA
V <sub>m</sub>	Mute pin voltage for mute mode		0		1.5	V
V <sub>m</sub>	Mute pin voltage for play mode		3.5		18	V
I <sub>m</sub>	Mute pin current (ST_BY)	V <sub>mute</sub> = 0V, V <sub>stby</sub> < 1.5V	-5	0	5	μA
I <sub>m</sub>	Mute pin current (operative)	0V < V <sub>mute</sub> < 18V, V <sub>stby</sub> > 3.5V		65	100	μA
V <sub>I2C</sub>	I2C pin voltage for I2C disabled		0		1.5	V
V <sub>I2C</sub>	I2C pin voltage for I2C enabled		2.5		18	V
I <sub>I2C</sub>	I2C pin current (stby)	0V < I2C EN < 18V, V <sub>stby</sub> < 1.5V	-5	0	5	μA
I <sub>I2C</sub>	I2C pin current (operative)	I2C EN < 18V, V <sub>stby</sub> > 3.5V	7	11	15	μA
V <sub>1OHM</sub>	1OHM pin voltage for 2ch mode		0		1.5	V
V <sub>1OHM</sub>	1OHM pin voltage for 1ohm mode		2.5		18	V
I <sub>1OHM</sub>	1OHM pin current (stby)	0V < 1OHM < 18V, V <sub>stby</sub> < 1.5V	-5	0	5	μA
I <sub>1OHM</sub>	1OHM pin current (operative)	1OHM < 18V, V <sub>stby</sub> > 3.5V	7	11	15	μA
La	A Pin Voltage	Low logic level	0		1.5	V
Ha		High logic level	2.5		18	V
Ia	A Pin Current (ST-BY)	0V < A < 18V, V <sub>stby</sub> < 1.5V	-5	0	5	μA
Ia	A Pin Current (Operative)	A < 18V, V <sub>stby</sub> > 3.5V	7	11	15	μA
Lb	B Pin Voltage	Low logic level	0		1.5	V
Hb		High logic level	2.5		18	V
Ib	B Pin Current (ST-BY)	0V < B < 18V, V <sub>stby</sub> < 1.5V	-5	0	5	μA
Ib	B Pin Current (Operative)	B < 18V, V <sub>stby</sub> > 3.5V	7	11	15	μA
T <sub>W</sub>	Thermal warning			150		°C
T <sub>PI</sub>	Thermal Protection intervention			170		°C
I <sub>CDH</sub>	Clip Pin High Leakage Current	CD off, 0V < V <sub>CD</sub> < 5.5V	-15	0	15	μA



**TDA7575PD****ELECTRICAL CHARACTERISTICS:** (continued)

Symbol	Parameter	Test Condition	Min.	Typ.	Max.	Unit
I <sub>CDL</sub>	Clip Pin Low Sink Current	CD on; V <sub>CD</sub> < 300mV	1			mA
CD	Clip detect THD level	D0 (IB1) = 0	0.8	1.3	2.5	%
		D0 (IB1) = 1	5	10	15	%
(*) ST-BY Pin high enables I2C bus; ST-BY Pin low puts the device in ST-BY condition.(see "prog" for more details)						
<b>TURN ON DIAGNOSTICS (Power Amplifier Mode)</b>						
P <sub>gnd</sub>	Short to GND det. (below this limit, the Output is considered in Short Circuit to GND)	Power Amplifier in st-by condition			1.2	V
P <sub>vs</sub>	Short to V <sub>s</sub> det. (above this limit, the Output is considered in Short Circuit to V <sub>S</sub> )		V <sub>s</sub> -0.9			V
P <sub>nop</sub>	Normal operation thresholds.(Within these limits, the Output is considered without faults).		1.8		V <sub>s</sub> -1.5	V
L <sub>sc</sub>	Shorted Load det.				0.5	Ω
L <sub>op</sub>	Open Load det.		130			Ω
L <sub>nop</sub>	Normal Load det.		1.5		70	Ω
<b>TURN ON DIAGNOSTICS (Line Driver Mode)</b>						
P <sub>gnd</sub>	Short to GND det. (below this limit, the Output is considered in Short Circuit to GND)	Power Amplifier in st-by			1.2	V
P <sub>vs</sub>	Short to V <sub>s</sub> det. (above this limit, the Output is considered in Short Circuit to V <sub>S</sub> )		V <sub>s</sub> -0.9			V
P <sub>nop</sub>	Normal operation thresholds.(Within these limits, the Output is considered without faults).		1.8		V <sub>s</sub> -1.5	V
L <sub>sc</sub>	Shorted Load det.				1.5	Ω
L <sub>op</sub>	Open Load det.		400			Ω
L <sub>nop</sub>	Normal Load det.		4.5		200	Ω
<b>PERMANENT DIAGNOSTICS (Power Amplifier Mode or Line Driver Mode)</b>						
P <sub>gnd</sub>	Short to GND det. (below this limit, the Output is considered in Short Circuit to GND)	Power Amplifier in Mute or Play condition, one or more short circuits protection activated			1.2	V
P <sub>vs</sub>	Short to V <sub>s</sub> det. (above this limit, the Output is considered in Short Circuit to V <sub>S</sub> )		V <sub>s</sub> - 0.9			V
P <sub>nop</sub>	Normal operation thresholds.(Within these limits, the Output is considered without faults).		1.8		V <sub>s</sub> -1.5	V
L <sub>sc</sub>	Shorted Load det.	Pow. Amp. mode			0.5	Ω
		Line Driver mode			1.5	Ω



## TDA7575PD

### ELECTRICAL CHARACTERISTICS: (continued)

Symbol	Parameter	Test Condition	Min.	Typ.	Max.	Unit
V <sub>O</sub>	Offset Detection	Power Amplifier in play condition AC Input signals = 0	±1.5	±2	±2.5	V
<b>I<sup>2</sup>C BUS INTERFACE</b>						
f <sub>SCL</sub>	Clock Frequency				400	KHz
V <sub>IL</sub>	Input Low Voltage				1.5	V
V <sub>IH</sub>	Input High Voltage		2.3			V

### I<sup>2</sup>C BUS INTERFACE

Data transmission from microprocessor to the TDA7575PD and viceversa takes place through the 2 wires I<sup>2</sup>C BUS interface, consisting of the two lines SDA and SCL (pull-up resistors to positive supply voltage must be connected).

#### Data Validity

As shown by fig. 1, the data on the SDA line must be stable during the high period of the clock. The HIGH and LOW state of the data line can only change when the clock signal on the SCL line is LOW.

#### Start and Stop Conditions

As shown by fig. 2 a start condition is a HIGH to LOW transition of the SDA line while SCL is HIGH. The stop condition is a LOW to HIGH transition of the SDA line while SCL is HIGH.

#### Byte Format

Every byte transferred to the SDA line must contain 8 bits. Each byte must be followed by an acknowledge bit. The MSB is transferred first.

#### Acknowledge

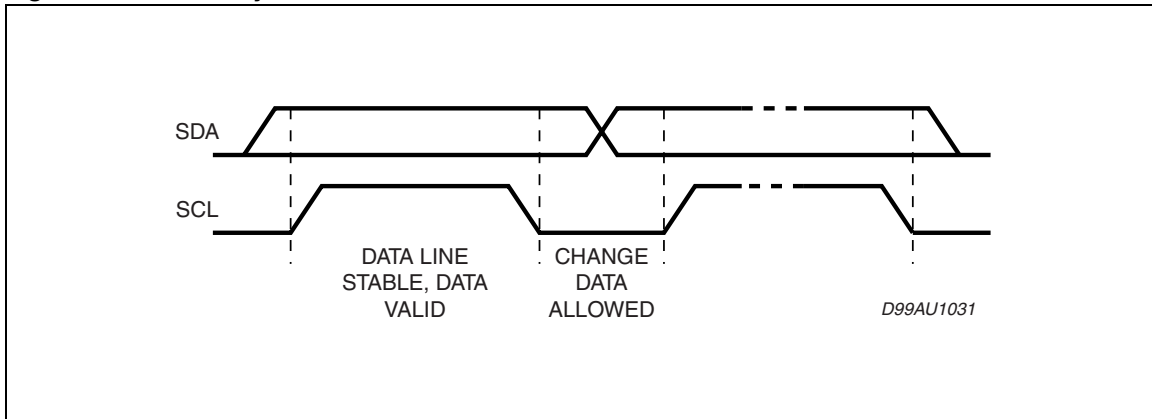
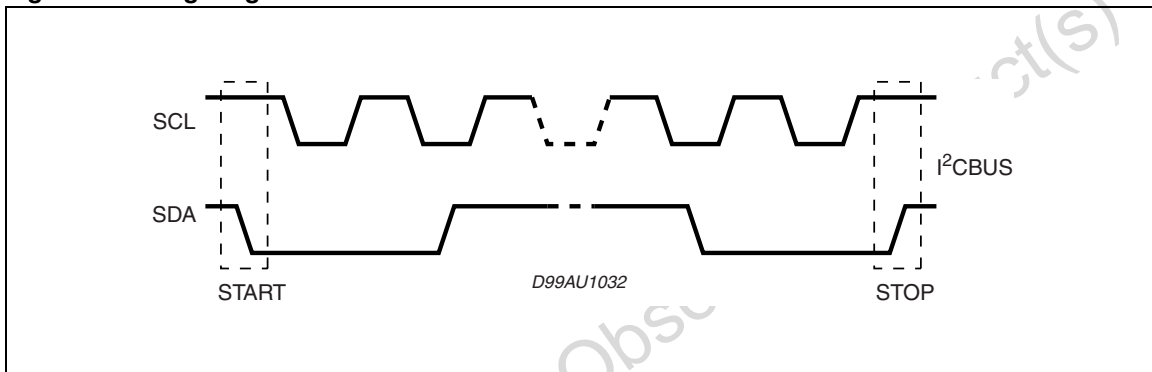
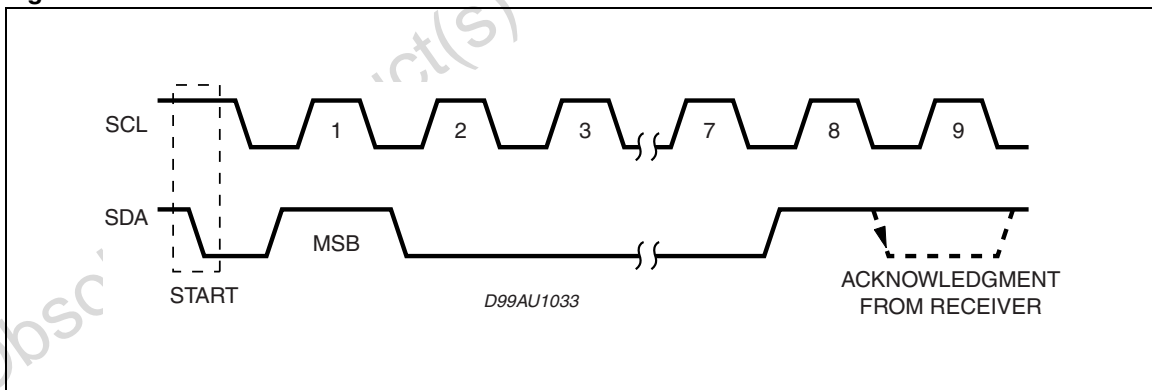
The transmitter\* puts a resistive HIGH level on the SDA line during the acknowledge clock pulse (see fig.3). The receiver\*\* the acknowledges has to pull-down (LOW) the SDA line during the acknowledge clock pulse, so that the SDA line is stable LOW during this clock pulse.

##### \* Transmitter

- = master (μP) when it writes an address to the TDA7575PD
- = slave (TDA7575PD) when the μP reads a data byte from TDA7575PD

##### \*\* Receiver

- = slave (TDA7575PD) when the μP writes an address to the TDA7575PD
- = master (μP) when it reads a data byte from TDA7575PD

**TDA7575PD****Figure 1. Data Validity on the I<sup>2</sup>C BUS****Figure 2. Timing Diagram on the I<sup>2</sup>C BUS****Figure 3.****1 Ohm Capability Setting**

It is possible to drive 10HM load paralleling the outputs into a single channel.

In order to implement this feature, outputs are to be connected on the board as follows:

OUT1+ (PIN35 and PIN36) shorted to OUT2+ (PIN19 and PIN20)

OUT1- (PIN28 and PIN29) shorted to OUT2- (PIN26 and PIN27).



## TDA7575PD

---

It is recommended to minimize the impedance on the board between OUT2 and the load in order to minimize THD distortion. It is also recommended to control the maximum mismatch impedance between VCC pins (PIN21/PIN22 respect to PIN33/PIN34) and between PWGND pins (PIN24/PIN25 respect to PIN30/PIN31), mismatch that must not exceed a value of 20 mOhm.

With 1OHM feature settled the active input is IN2 (PIN17 and PIN18), therefore IN1 pins should be let floating. It is possible to set the load capability acting on 1OHM pin as follows:

1OHM PIN (PIN15) < 1.5V: two channels mode (for a minimum load of 2 OHM)

1OHM PIN (PIN15) > 2.5V: one channel mode (for 1 OHM load).

IT IS TO REMEMBER THAT 1 OHM FUNCTION IS A HARDWARE SELECTION.

Therefore it is recommended to leave 1OHM PIN floating or shorted to GND to set the two channels mode configuration, or to short 1OHM PIN to VCC to set the one channel (1OHM) configuration.

### I<sup>2</sup>C Abilitation Setting

It is possible to disable the I<sup>2</sup>C interface by acting on I<sup>2</sup>C PIN (PIN16) and control the TDA7575PD by means of the usual ST-BY and MUTE pins. In order to activate or deactivate this feature, I<sup>2</sup>C PIN must be set as follows:

I<sup>2</sup>C PIN (PIN16) < 1.5V: I<sup>2</sup>C bus interface deactivated

I<sup>2</sup>C PIN (PIN16) > 2.5V: I<sup>2</sup>C bus interface activated

It is also possible to let I<sup>2</sup>C PIN floating to deactivate the I<sup>2</sup>C bus interface, or to short I<sup>2</sup>C PIN to VCC to activate it.

In particular:

I<sup>2</sup>C ENABLED: I<sup>2</sup>C pin (PIN16) > 2.5V

- STD MODE: Vstby (PIN5) > 3.5V, IB2(D1)=0
- HE MODE: Vstby (PIN5) > 3.5V, IB2(D1)=1
- PLAY MODE: Vmute (pin 4) >3.5V, IB1 (D2) = 1

The amplifier can always be switched off by putting Vstby to 0V, but with I<sup>2</sup>C enabled it can be turn on only through I<sup>2</sup>C (with Vstby>3.5V).

I<sup>2</sup>C DISABLED: I<sup>2</sup>C pin (PIN16) < 1.5V

- STD MODE: 3.5V < stby (PIN5) < 5
- HE MODE: Vstby (PIN5) > 7V
- PLAY MODE: Vmute (pin 4) >3.5V

For both STD and HE MODE the play/mute mode can be set acting on Vmute pin.

**TDA7575PD****SOFTWARE SPECIFICATIONS**

All the functions of the TDA7575PD are activated by I<sup>2</sup>C interface.

The bit 0 of the "ADDRESS BYTE" defines if the next bytes are write instruction (from  $\mu$ P to TDA7575PD) or read instruction (from TDA7575PD to  $\mu$ P).

**ADDRESS SELECTION**

<b>A6</b>	1
<b>A5</b>	1
<b>A4</b>	0
<b>A3</b>	1
<b>A2</b>	0
<b>A1</b>	B
<b>A0</b>	A
<b>R/W</b>	X

If R/W = 0, the  $\mu$ P sends 2 "Instruction Bytes": IB1 and IB2.

**IB1**

<b>D7</b>	X
<b>D6</b>	Diagnostic enable (D6 = 1) Diagnostic defeat (D6 = 0)
<b>D5</b>	Offset Detection enable (D5 = 1) Offset Detection defeat (D5 = 0)
<b>D4</b>	Gain = 26dB (D4 = 0) Gain = 12dB (D4 = 1)
<b>D3</b>	X
<b>D2</b>	Mute (D2 = 0) Unmute (D2 = 1)
<b>D1</b>	X
<b>D0</b>	CD 2% (D0 = 0) CD 10% (D0 = 1)

**IB2**

<b>D7</b>	X
<b>D6</b>	used for testing
<b>D5</b>	used for testing
<b>D4</b>	Stand-by on - Amplifier not working - (D4 = 0) Stand-by off - Amplifier working - (D4 = 1)
<b>D3</b>	Power Amplifier Mode Diagnostic (D3 = 0); Line Driver Mode Diagnostic (D3 = 1)
<b>D2</b>	X
<b>D1</b>	Power amplifier working in standard mode (D1 = 0) Power amplifier working in high efficiency mode (D1 = 1)
<b>D0</b>	X



## TDA7575PD

If R/W = 1, the TDA7575PD sends 2 "Diagnostics Bytes" to  $\mu$ P: DB1 and DB2.

### DB1

<b>D7</b>	Thermal warning (if $T_{chip} \geq 150^{\circ}\text{C}$ , D7 = 1)
<b>D6</b>	Diag. cycle not activated or not terminated (D6 = 0) Diag. cycle terminated (D6 = 1)
<b>D5</b>	X
<b>D4</b>	Channel 1 Turn-on diagnostic (D4 = 0) Permanent diagnostic (D4 = 1)
<b>D3</b>	Channel 1 Normal load (D3 = 0) Short load (D3 = 1)
<b>D2</b>	Channel 1 Turn-on diag.: No open load (D2 = 0) Open load detection (D2 = 1) Offset diag.: No output offset (D2 = 0) Output offset detection (D2 = 1)
<b>D1</b>	Channel 1 No short to $V_{CC}$ (D1 = 0) Short to $V_{CC}$ (D1 = 1)
<b>D0</b>	Channel 1 No short to GND (D1 = 0) Short to GND (D1 = 1)

### DB2

<b>D7</b>	Offset detection not activated (D7 = 0) Offset detection activated (D7 = 1)
<b>D6</b>	X
<b>D5</b>	X
<b>D4</b>	Channel 2 Turn-on diagnostic (D4 = 0) Permanent diagnostic (D4 = 1)
<b>D3</b>	Channel 2 Normal load (D3 = 0) Short load (D3 = 1)
<b>D2</b>	Channel 2 Turn-on diag.: No open load (D2 = 0) Open load detection (D2 = 1) Permanent diag.: No output offset (D2 = 0) Output offset detection (D2 = 1)
<b>D1</b>	Channel 2 No short to $V_{CC}$ (D1 = 0) Short to $V_{CC}$ (D1 = 1)
<b>D0</b>	Channel 2 No short to GND (D1 = 0) Short to GND (D1 = 1)

**TDA7575PD****Examples of bytes sequence****1 - Turn-On diagnostic - Write operation**

Start	Address byte with D0 = 0	ACK	IB1 with D6 = 1	ACK	IB2	ACK	STOP
-------	--------------------------	-----	-----------------	-----	-----	-----	------

**2 - Turn-On diagnostic - Read operation**

Start	Address byte with D0 = 1	ACK	DB1	ACK	DB2	ACK	STOP
-------	--------------------------	-----	-----	-----	-----	-----	------

The delay from 1 to 2 can be selected by software, starting from T.B.D. ms

**3a - Turn-On of the power amplifier with mute on, diagnostic defeat.**

Start	Address byte with D0 = 0	ACK	IB1	ACK	IB2	ACK	STOP
			X000XXXX		XXX1XX1X		

**3b - Turn-Off of the power amplifier**

Start	Address byte with D0 = 0	ACK	IB1	ACK	IB2	ACK	STOP
			X0XXXXXX		XXX0XXXX		

**4 - Offset detection procedure enable**

Start	Address byte with D0 = 0	ACK	IB1	ACK	IB2	ACK	STOP
			XX1XX1XX		XXX1XXXX		

**5 - Offset detection procedure stop and reading operation (the results are valid only for the offset detection bits (D2 of the bytes DB1, DB2, DB3, DB4).**

Start	Address byte with D0 = 1	ACK	DB1	ACK	DB2	ACK	STOP
-------	--------------------------	-----	-----	-----	-----	-----	------

- The purpose of this test is to check if a D.C. offset (2V typ.) is present on the outputs, produced by input capacitor with anomalous leakage current or humidity between pins.
- The delay from 4 to 5 can be selected by software, starting from T.B.D. ms

**DIAGNOSTICS FUNCTIONAL DESCRIPTION:****a) TURN-ON DIAGNOSTIC.**

It is activated at the turn-on (stand-by out) under I<sup>2</sup>C bus request. Detectable output faults are:

- SHORT TO GND
- SHORT TO Vs
- SHORT ACROSS THE SPEAKER
- OPEN SPEAKER

To verify if any of the above misconnections are in place, a subsonic (inaudible) current pulse (fig. A) is internally generated, sent through the speaker(s) and sunk back. The Turn On diagnostic status is internally stored until a successive diagnostic pulse is requested (after a I2C reading).

If the "stand-by out" and "diag. enable" commands are both given through a single programming step, the pulse takes place first (power stage still in stand-by mode, low, outputs= high impedance).



## TDA7575PD

Afterwards, when the Amplifier is biased, the PERMANENT diagnostic takes place. The previous Turn On state is kept until a short appears at the outputs.

**Fig A: Turn - On diagnostic: working principle**

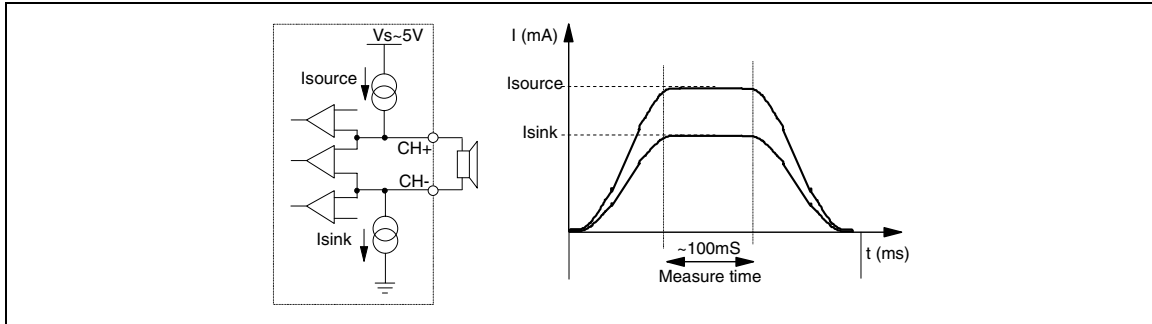
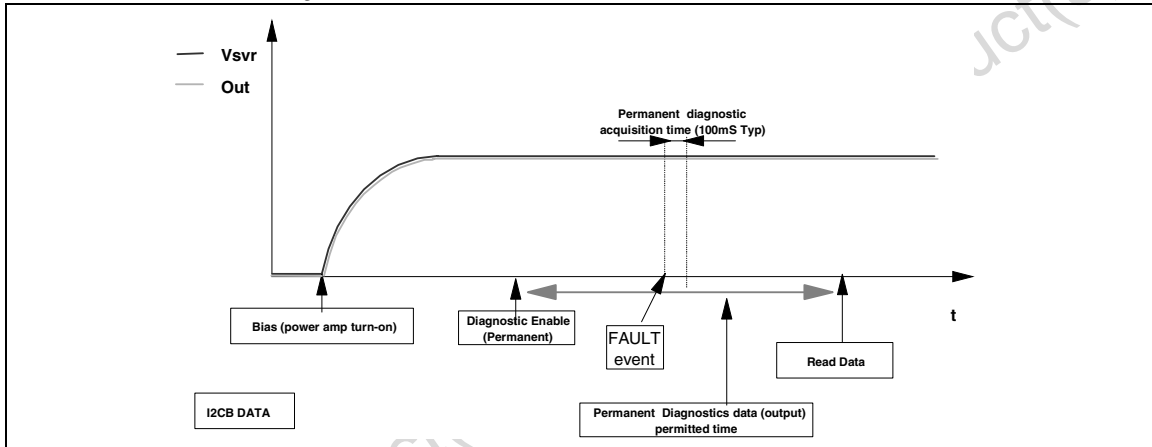


Fig. B and C show SVR and OUTPUT waveforms at the turn-on (stand-by out) with and without TURN-ON DIAGNOSTIC.

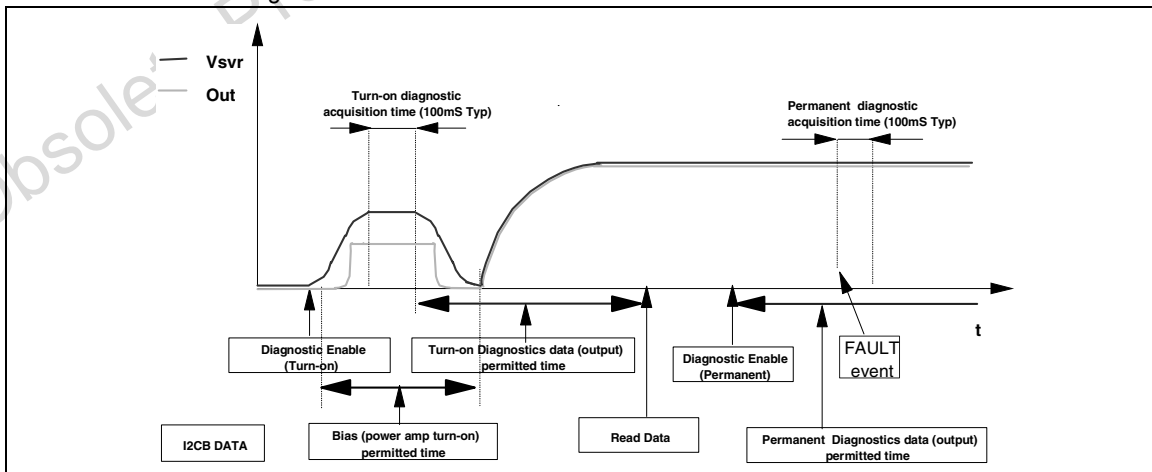
**Fig B: SVR and Output behaviour**

**CASE 1: without turn-on diagnostic**



**FIG. C: SVR and Output pin behaviour**

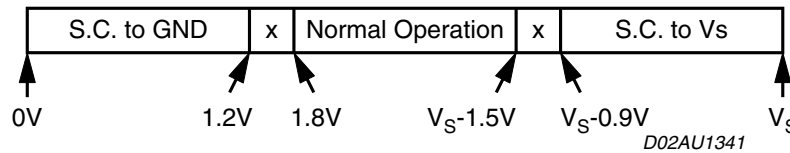
**CASE 2: with turn-on diagnostic**



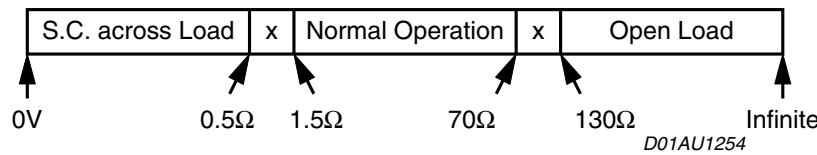


## TDA7575PD

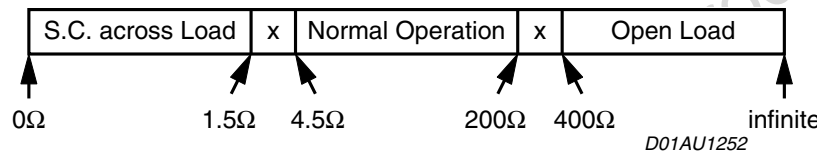
The information related to the outputs status is read and memorized at the end of the current pulse top. The acquisition time is 100 ms (typ.). No audible noise is generated in the process. As for SHORT TO GND / Vs the fault-detection thresholds remain unchanged from 26 dB to 12 dB gain setting. They are as follows:



Concerning SHORT ACROSS THE SPEAKER / OPEN SPEAKER, the threshold varies from 26 dB to 12 dB gain setting, since different loads are expected (either normal speaker's impedance or high impedance). The values in case of 26 dB gain are as follows:



If the Line-Driver mode ( $G_v = 12$  dB and Line Driver Mode diagnostic = 1) is selected, the same thresholds will change as follows:



### b) PERMANENT DIAGNOSTICS.

Detectable conventional faults are:

- SHORT TO GND
- SHORT TO Vs
- SHORT ACROSS THE SPEAKER

The following additional features are provided:

- OUTPUT OFFSET DETECTION

The TDA7575PD has 2 operating statuses:

1) RESTART mode. The diagnostic is not enabled. Each audio channel operates independently from each other. If any of the a.m. faults occurs, only the channel(s) interested is shut down. A check of the output status is made every 1 ms (fig. G). Restart takes place when the overload is removed.

2) DIAGNOSTIC mode. It is enabled via I<sup>2</sup>C bus and self activates if an output overload (such to cause the intervention of the short-circuit protection) occurs to the speakers outputs. Once activated, the diagnostics procedure develops as follows (fig. H):

- To avoid momentary re-circulation spikes from giving erroneous diagnostics, a check of the output status is made after 1ms: if normal situation (no overloads) is detected, the diagnostic is not performed and the channel returns back active.
- Instead, if an overload is detected during the check after 1 ms, then a diagnostic cycle having a duration of about 100 ms is started.
- After a diagnostic cycle, the audio channel interested by the fault is switched to RESTART mode. The



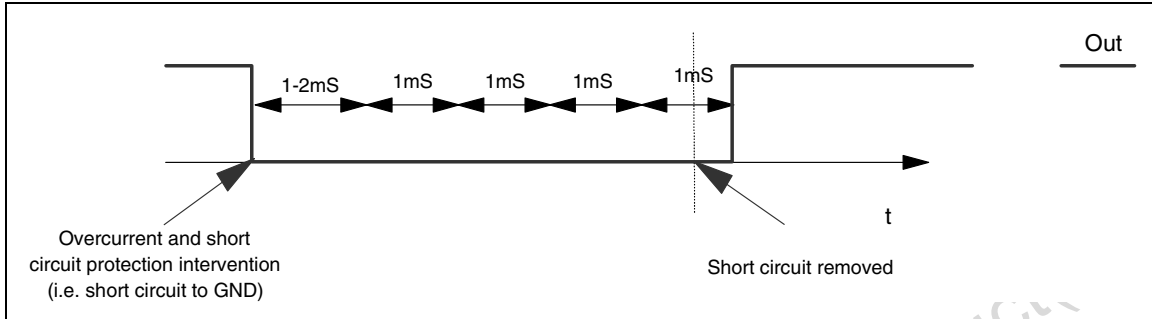
## TDA7575PD

relevant data are stored inside the device and can be read by the microprocessor. When one cycle has terminated, the next one is activated by an I<sup>2</sup>C reading. This is to ensure continuous diagnostics throughout the car-radio operating time.

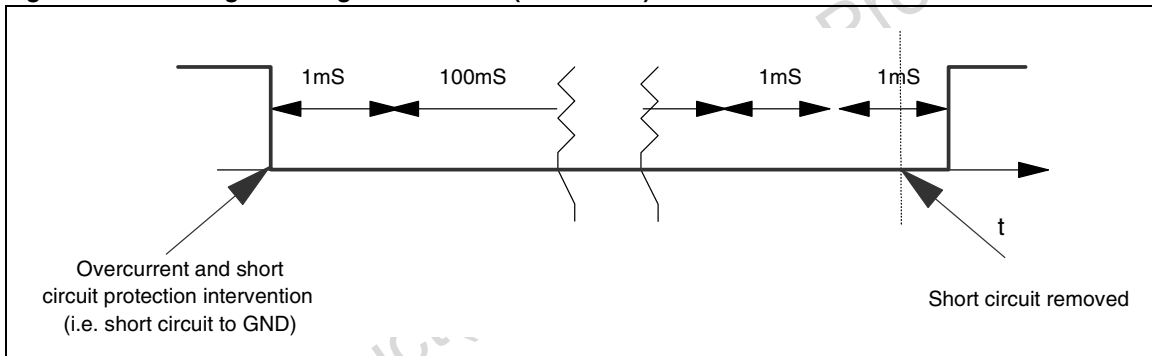
- To check the status of the device a sampling system is needed. The timing is chosen at microprocessor level (over than half a second is recommended).

**Fig. G: Restart timing without Diagnostic Enable (Permanent)**

Each 1mS time, a sampling of the fault is done



**Fig H: Restart timing with Diagnostic Enable (Permanent)**



### OUTPUT DC OFFSET DETECTION.

Any DC output offset exceeding +/- 2 V are signalled out. This inconvenient might occur as a consequence of initially defective or aged and worn-out input capacitors feeding a DC component to the inputs, so putting the speakers at risk of overheating.

This diagnostic has to be performed with low-level output AC signal (or  $V_{in} = 0$ ).

The test is run with selectable time duration by microprocessor (from a "start" to a "stop" command):

- START = Last reading operation or setting IB1 - D5 - (OFFSET enable) to 1
- STOP = Actual reading operation

Excess offset is signalled out if persistent throughout the assigned testing time. This feature is disabled if any overloads leading to activation of the short-circuit protection occurs in the process.

**TDA7575PD****MULTIPLE FAULTS.**

When more misconnections are simultaneously in place at the audio outputs, it is guaranteed that at least one of them is initially read out. The others are notified after successive cycles of I<sup>2</sup>C reading and faults removal, provided that the diagnostic is enabled. This is true for both kinds of diagnostic (Turn on and Permanent).

The table below shows all the couples of double-fault possible. It should be taken into account that a short circuit with the 4 ohm speaker unconnected is considered as double fault.

**Double fault table for Turn On Diagnostic**

	<b>S. GND (sc)</b>	<b>S. GND (sk)</b>	<b>S. Vs</b>	<b>S. Across L.</b>	<b>Open L.</b>
<b>S. GND (sc)</b>	S. GND	S. GND	S. Vs + S. GND	S. GND	S. GND
<b>S. GND (sk)</b>	/	S. GND	S. Vs	S. GND	Open L. (*)
<b>S. Vs</b>	/	/	S. Vs	S. Vs	S. Vs
<b>S. Across L.</b>	/	/	/	S. Across L.	N.A.
<b>Open L.</b>	/	/	/	/	Open L. (*)

S. GND (so) / S. GND (sk) in the above table make a distinction according to which of the 2 outputs is shorted to ground (test-current source side = so, test-current sink side = sk). More precisely, in both the Channels SO = CH+, and SK = CH-.

In Permanent Diagnostic the table is the same, with only a difference concerning Open Load(\*), which is not among the recognisable faults. Should an Open Load be present during the device's normal working, it would be detected at a subsequent Turn on Diagnostic cycle (i.e. at the successive Car Radio Turn on).

**FAULTS AVAILABILITY**

All the results coming from I<sup>2</sup>Cbus, by read operations, are the consequence of measurements inside a defined period of time. If the fault is stable throughout the whole period, it will be sent out. This is true for DC diagnostic (Turn on and Permanent), for Offset Detector.

To guarantee always resident functions, every kind of diagnostic cycles (Turn on, Permanent, Offset) will be reactivate after any I<sup>2</sup>C reading operation. So, when the micro reads the I<sup>2</sup>C, a new cycle will be able to start, but the read data will come from the previous diag. cycle (i.e. The device is in Turn On state, with a short to Gnd, then the short is removed and micro reads I<sup>2</sup>C. The short to Gnd is still present in bytes, because it is the result of the previous cycle. If another I<sup>2</sup>C reading operation occurs, the bytes do not show the short). In general to observe a change in Diagnostic bytes, two I<sup>2</sup>C reading operations are necessary.

**I<sup>2</sup>C PROGRAMMING/READING SEQUENCES**

A correct turn on/off sequence respectful of the diagnostic timings and producing no audible noises could be as follows (after battery connection):

- TURN-ON: (STAND-BY OUT + DIAG ENABLE) --- 500 ms (min) --- MUTING OUT
- TURN-OFF: MUTING IN --- 20 ms --- (DIAG DISABLE + STAND-BY IN)

Car Radio Installation: DIAG ENABLE (write) --- 200 ms --- I<sup>2</sup>C read (repeat until All faults disappear).

- OFFSET TEST: Device in Play (no signal) --
- OFFSET ENABLE - 30ms - I<sup>2</sup>C reading

(repeat I<sup>2</sup>C reading until high-offset message disappears).

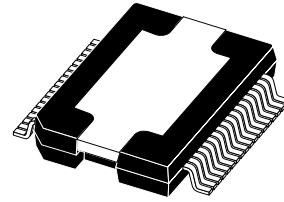


## TDA7575PD

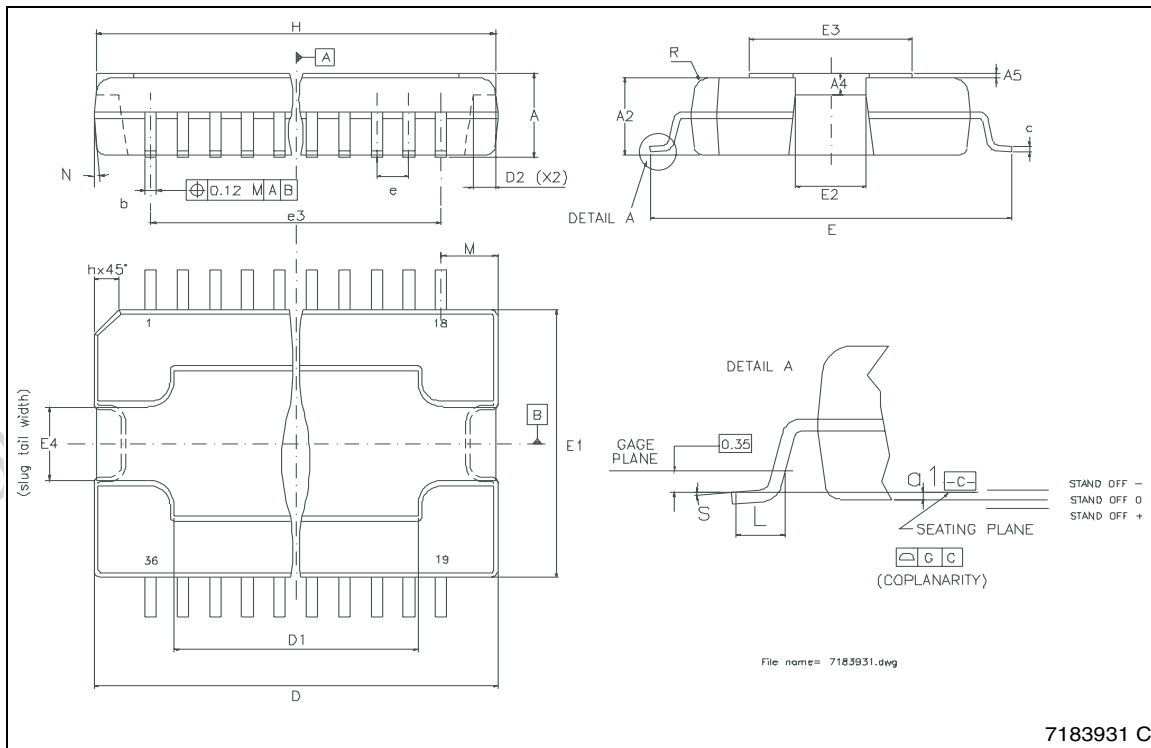
DIM.	mm			inch		
	MIN.	TYP.	MAX.	MIN.	TYP.	MAX.
A	3.25		3.43	0.128		0.135
A2	3.1		3.2	0.122		0.126
A4	0.8		1	0.031		0.039
A5		0.2			0.008	
a1	0.030		0.040	0.0011		0.0015
b	0.22		0.38	0.008		0.015
c	0.23		0.32	0.009		0.012
D	15.8		16	0.622		0.630
D1	9.4		9.8	0.37		0.38
D2		1			0.039	
E	13.9		14.5	0.547		0.57
E1	10.9		11.1	0.429		0.437
E2			2.9			0.114
E3	5.8		6.2	0.228		0.244
E4	2.9		3.2	0.114		1.259
e		0.65			0.026	
e3		11.05			0.435	
G	0		0.075	0		0.003
H	15.5		15.9	0.61		0.625
h			1.1			0.043
L	0.8		1.1	0.031		0.043
N	10° (max)					
s	8° (max)					

- (1) "D and E1" do not include mold flash or protusions.  
Mold flash or protusions shall not exceed 0.15mm (0.006")  
(2) No intrusion allowed inwards the leads.

## OUTLINE AND MECHANICAL DATA



## PowerSO36 (SLUG UP)



**TDA7575PD**

---

Information furnished is believed to be accurate and reliable. However, STMicroelectronics assumes no responsibility for the consequences of use of such information nor for any infringement of patents or other rights of third parties which may result from its use. No license is granted by implication or otherwise under any patent or patent rights of STMicroelectronics. Specifications mentioned in this publication are subject to change without notice. This publication supersedes and replaces all information previously supplied. STMicroelectronics products are not authorized for use as critical components in life support devices or systems without express written approval of STMicroelectronics.

The ST logo is a registered trademark of STMicroelectronics.  
All other names are the property of their respective owners

© 2004 STMicroelectronics - All rights reserved

**STMicroelectronics GROUP OF COMPANIES**

Australia - Belgium - Brazil - Canada - China - Czech Republic - Finland - France - Germany - Hong Kong - India - Israel - Italy - Japan - Malaysia - Malta - Morocco - Singapore - Spain - Sweden - Switzerland - United Kingdom - United States

[www.st.com](http://www.st.com)

