



High-Bandwidth, $\pm 15\text{kV}$ ESD Protection LVDS Switch

MAX14979E

General Description

The MAX14979E is optimized for high-speed differential switching applications. The device is ideal for low-voltage differential signal (LVDS) and low-voltage positive emitter-coupled logic (LVPECL) switching applications. The MAX14979E provides enhanced electrostatic discharge (ESD) protection up to $\pm 15\text{kV}$ and excellent high-frequency response, making this device especially useful for interfaces that must go to an outside connection.

The MAX14979E provides extremely low capacitance (CON) as well as low resistance (RON) for low-insertion loss and bandwidth up to 650MHz (1.3Gbps). In addition to the four pairs of double-pole/double-throw (DPDT) switches, the MAX14979E provides low-frequency (up to 50MHz) and AUX switching that can be used for LED lighting or other applications.

The MAX14979E is available in a space-saving 36-pin TQFN package and operates over the standard -40°C to $+85^\circ\text{C}$ temperature range.

Applications

Notebook Computers
Switch LVDS to Graphics Panels
LVDS and LVPECL Switching

Ordering Information

PART	TEMP RANGE	PIN-PACKAGE
MAX14979EETX+	-40°C to $+85^\circ\text{C}$	36 TQFN-EP*

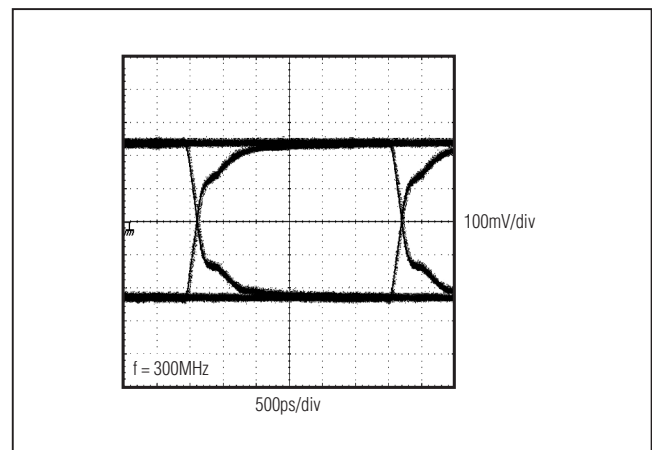
+Denotes a lead(Pb)-free/RoHS-compliant package.

*EP = Exposed pad.

Features

- ◆ $\pm 15\text{kV}$ ESD Protected per MIL-STD-883, Method 3015
- ◆ Single +3.0V to +3.6V Power-Supply Voltage
- ◆ Low On-Resistance (RON): 4Ω (typ), 6.5Ω (max)
- ◆ Low On-Capacitance (CON): 8pF (typ)
- ◆ -23dB Return Loss (100MHz)
- ◆ -3dB Bandwidth: 650MHz
- ◆ Built-In AUX Switches for Switching Indicators
- ◆ Low 450 μA (max) Quiescent Current
- ◆ Bidirectional 8 to 16 Multiplexer/Demultiplexer
- ◆ Space-Saving, Lead-Free, 36-Pin, 6mm x 6mm TQFN Package

Eye Diagram



Typical Operating Circuit appears at end of data sheet.

High-Bandwidth, $\pm 15\text{kV}$ ESD Protection LVDS Switch

ABSOLUTE MAXIMUM RATINGS

(Voltages referenced to GND.)

V+	-0.3V to +4.0V
All Other Pins	-0.3V to (V+ + 0.3V)
Continuous Current (COM_ _{__} to NC_ _{__} /NO_ _{__})	$\pm 120\text{mA}$
Continuous Current (AUX0_ _{__} to AUX1_ _{__} /AUX2_ _{__})	$\pm 40\text{mA}$
Peak Current (COM_ _{__} to NC_ _{__} /NO_ _{__}) (pulsed at 1ms, 10% duty cycle)	$\pm 240\text{mA}$
Current into Any Other Pin	$\pm 20\text{mA}$
Continuous Power Dissipation (T _A = +70°C) 36-Pin TQFN (derate 35.7mW/°C above +70°C)	2.85mW
ESD Protection, Human Body Model (HBM)	$\pm 15\text{kV}$

Junction-to-Ambient Thermal Resistance

θ_{JA} (Note 1)	8°C/W
Junction-to-Case Thermal Resistance	
θ_{JC} (Note 1)	1°C/W
Operating Temperature Range	-40°C to +85°C
Junction Temperature	+150°C
Storage Temperature Range	-65°C to +150°C
Lead Temperature (soldering 10s)	+300°C
Soldering Temperature (reflow)	+260°C

Note 1: Package thermal resistances were obtained using the method described in JEDEC specification JESD51-7, using a four-layer board. For detailed information on package thermal considerations, refer to www.maxim-ic.com/thermal-tutorial.

Stresses beyond those listed under "Absolute Maximum Ratings" may cause permanent damage to the device. These are stress ratings only, and functional operation of the device at these or any other conditions beyond those indicated in the operational sections of the specifications is not implied. Exposure to absolute maximum rating conditions for extended periods may affect device reliability.

ELECTRICAL CHARACTERISTICS

(V+ = +3.0V to +3.6V, T_A = T_J = T_{MIN} to T_{MAX}, unless otherwise noted. Typical values are at V+ = +3.3V, T_A = +25°C.) (Note 2)

PARAMETER	SYMBOL	CONDITIONS	MIN	TYP	MAX	UNITS
POWER SUPPLIES						
Operating Power-Supply Range	V+		+3.0		+3.6	V
ANALOG SWITCH						
On-Resistance	R _{ON}	V+ = 3V, I _{COM_} = -40mA, V _{COM_} = 0V, 1.5V, 3V T _A = +25°C T _{MIN} to T _{MAX}		4	5.5 6.5	Ω
On-Resistance AUX Switches	R _{ON(AUX)}	V+ = 3V, I _{AUX0_} = -40mA, V _{AUX0_} = 0V, 1.5V, 3V			40	Ω
On-Resistance Match Between Channels	ΔR_{ON}	V+ = 3V, I _{COM_} = -40mA, V _{COM_} = 0V, 3V (Note 3) T _{MIN} to T _{MAX}		0.5	1.5 2	Ω
On-Resistance Flatness	R _{FLAT(ON)}	V+ = 3V, I _{COM_} = -40mA, V _{COM_} = 0V, 1.5V		0.01		Ω
Off-Leakage Current	I _{L(} COM_ _{_(OFF)}	V+ = 3.6V, V _{COM_} = 0.3V, 3.3V; V _{NC_} or V _{NO_} = 3.3V, 0.3V	-1		+1	μA
On-Leakage Current	I _{L(} COM_ _{_(ON)}	V+ = 3.6V, V _{COM_} = 0.3V, 3.3V; V _{NC_} or V _{NO_} = 3.3V, 0.3V or unconnected	-1		+1	μA
SWITCH AC PERFORMANCE						
Insertion Loss	I _{LOS}	R _S = R _L = 50 Ω , unbalanced, f = 1MHz, (Note 3)		0.6		dB
Return Loss	R _{LOS}	f = 100MHz		-23		dB
Crosstalk	V _{CT1}	Any switch to any switch; R _S = R _L = 50 Ω , unbalanced, Figure 1	f = 25MHz	-50		dB
	V _{CT2}		f = 125MHz	-26		
SWITCH AC CHARACTERISTICS						
-3dB Bandwidth	BW	R _S = R _L = 50 Ω , unbalanced		650		MHz
Off-Capacitance	C _{OFF}	f = 1MHz, COM_ _{__}		3.5		pF
On-Capacitance	C _{ON}	f = 1MHz, COM_ _{__}		8		pF

High-Bandwidth, ±15kV ESD Protection LVDS Switch

MAX14979E

ELECTRICAL CHARACTERISTICS (continued)

(V+ = +3.0V to +3.6V, T_A = T_J = T_{MIN} to T_{MAX}, unless otherwise noted. Typical values are at V+ = +3.3V, T_A = +25°C.) (Note 2)

PARAMETER	SYMBOL	CONDITIONS	MIN	TYP	MAX	UNITS
Turn-On Time	t _{ON}	V _{COM__} = 1V, R _L = 100Ω, Figure 2			50	ns
Turn-Off Time	t _{OFF}	V _{COM__} = 1V, R _L = 100Ω, Figure 2			50	ns
Propagation Delay	t _{PLH} , t _{PHL}	R _S = R _L = 50Ω, unbalanced, Figure 3		0.1		ns
Output Skew Between Ports	t _{SK(o)}	Skew between any two ports, Figure 4		0.01		ns
SWITCH LOGIC						
Input-Voltage Low	V _{IL}	V+ = 3.0V			0.8	V
Input-Voltage High	V _{IH}	V+ = 3.6V	2.0			V
Input-Logic Hysteresis	V _{HYST}	V+ = 3.3V		100		mV
Input Leakage Current	I _{SEL}	V+ = 3.6V, V _{SEL} = 0V or V+	-5		+5	μA
Quiescent Supply Current	I+	V+ = 3.6V, V _{SEL} = 0V or V+		280	450	μA
ESD PROTECTION						
ESD Protection		COM_-, NC_-, NO_- HBM (spec MIL-STD-883, Method 3015)		±15		kV
All Other Pins		HBM (spec MIL-STD-883, Method 3015)		±2		kV

Note 2: Specifications at T_A = -40°C are guaranteed by design.

Note 3: Guaranteed by design.

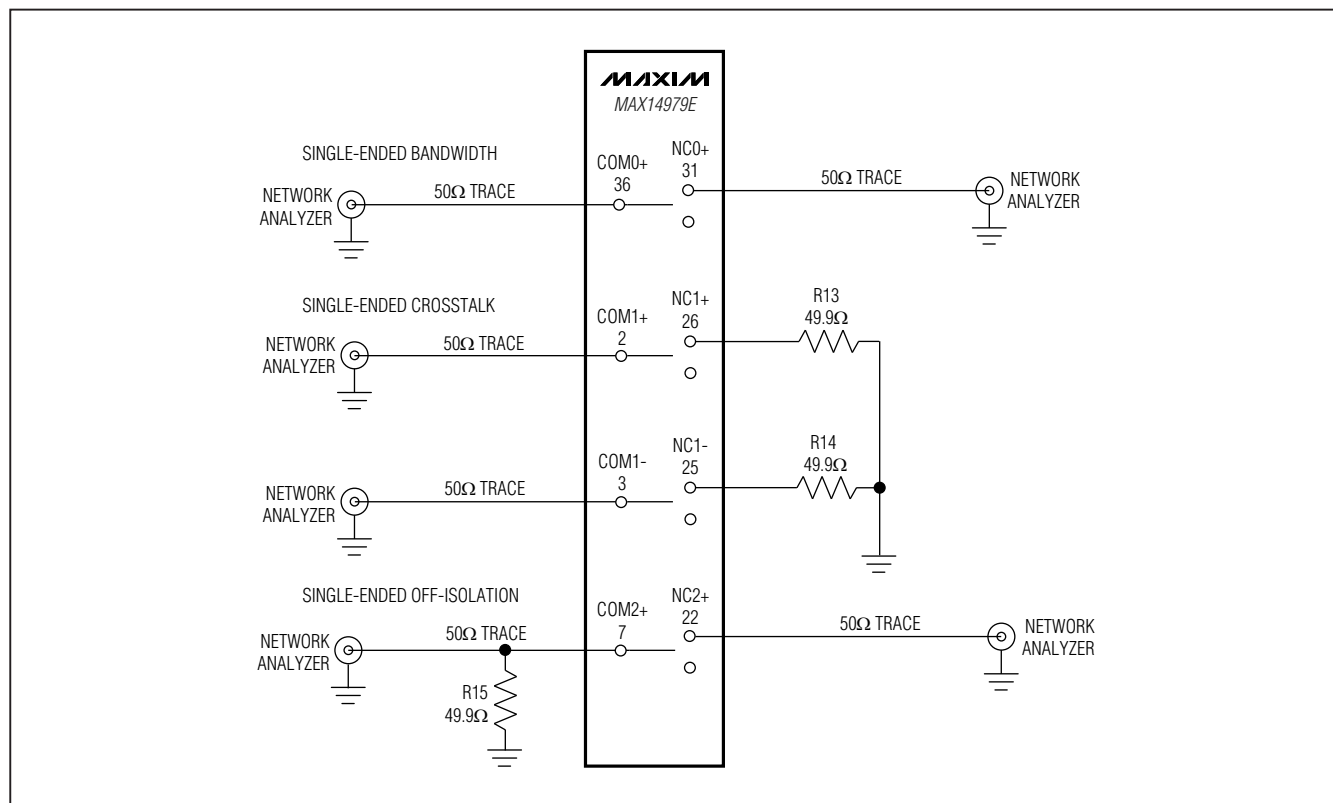


Figure 1. Single-Ended Bandwidth, Crosstalk, and Off-Isolation

High-Bandwidth, ±15kV ESD Protection LVDS Switch

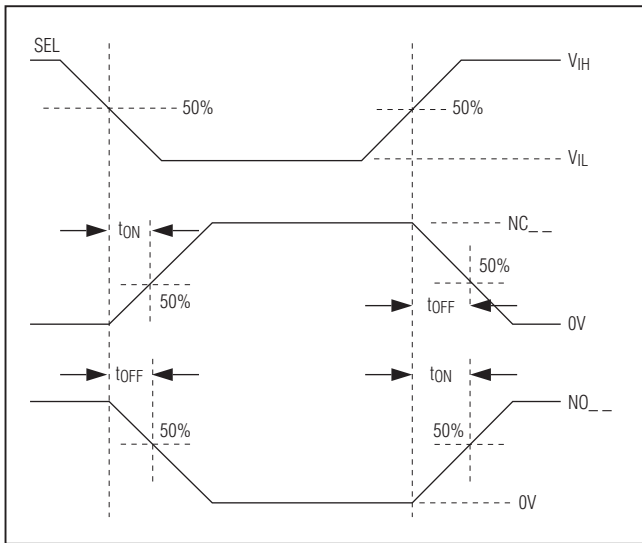


Figure 2. Turn-On and Turn-Off Times

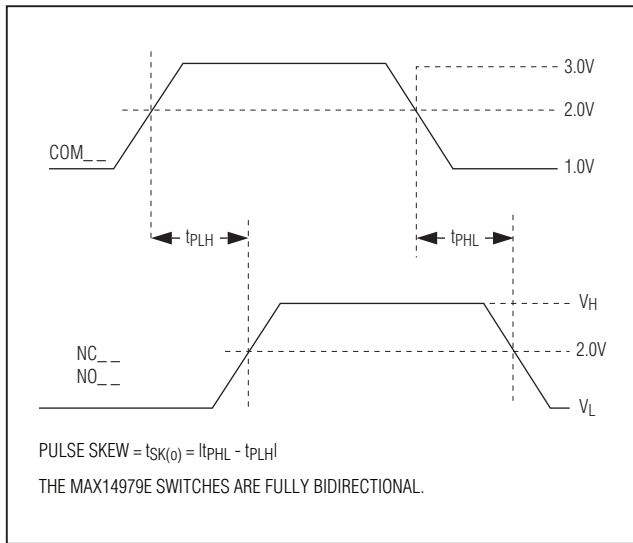


Figure 3. Propagation Delay Times

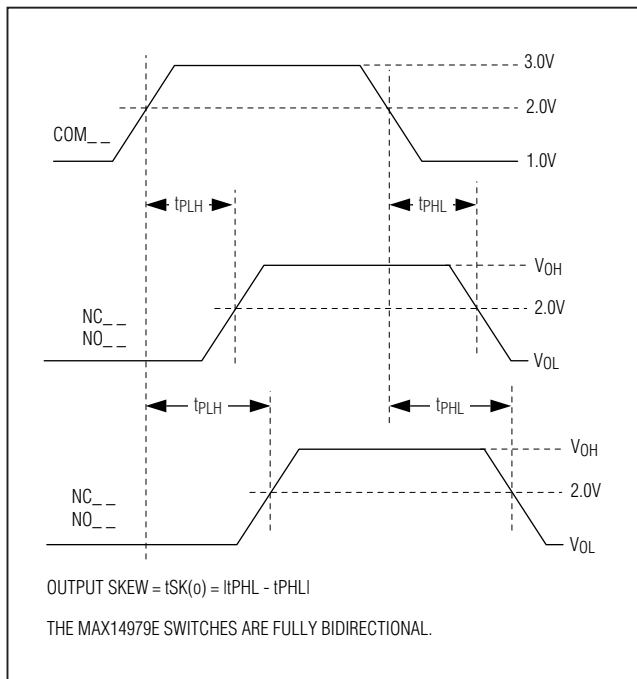


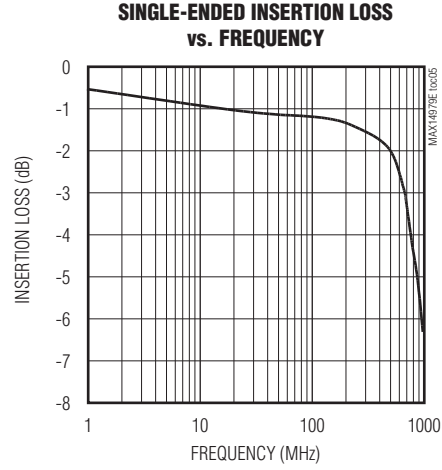
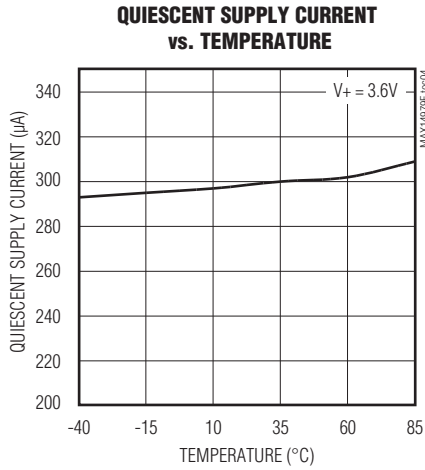
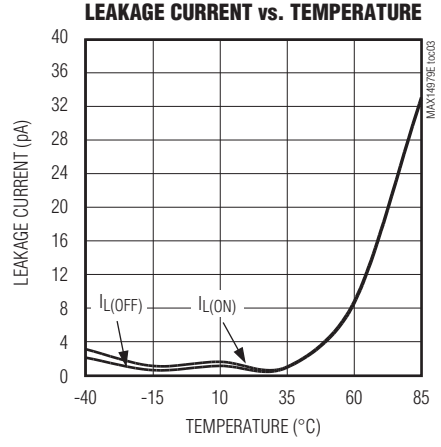
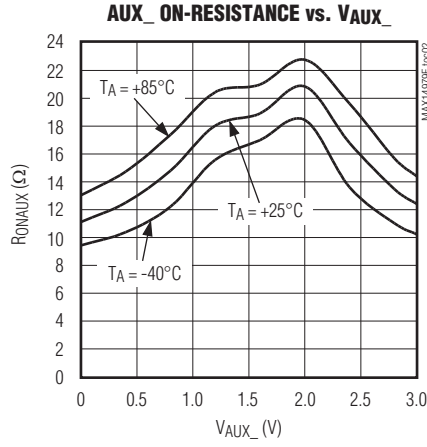
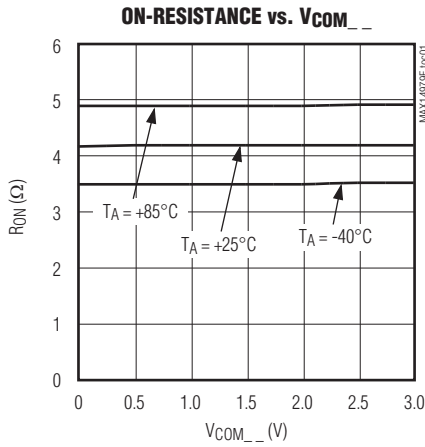
Figure 4. Output Skew

High-Bandwidth, $\pm 15\text{kV}$ ESD Protection LVDS Switch

Typical Operating Characteristics

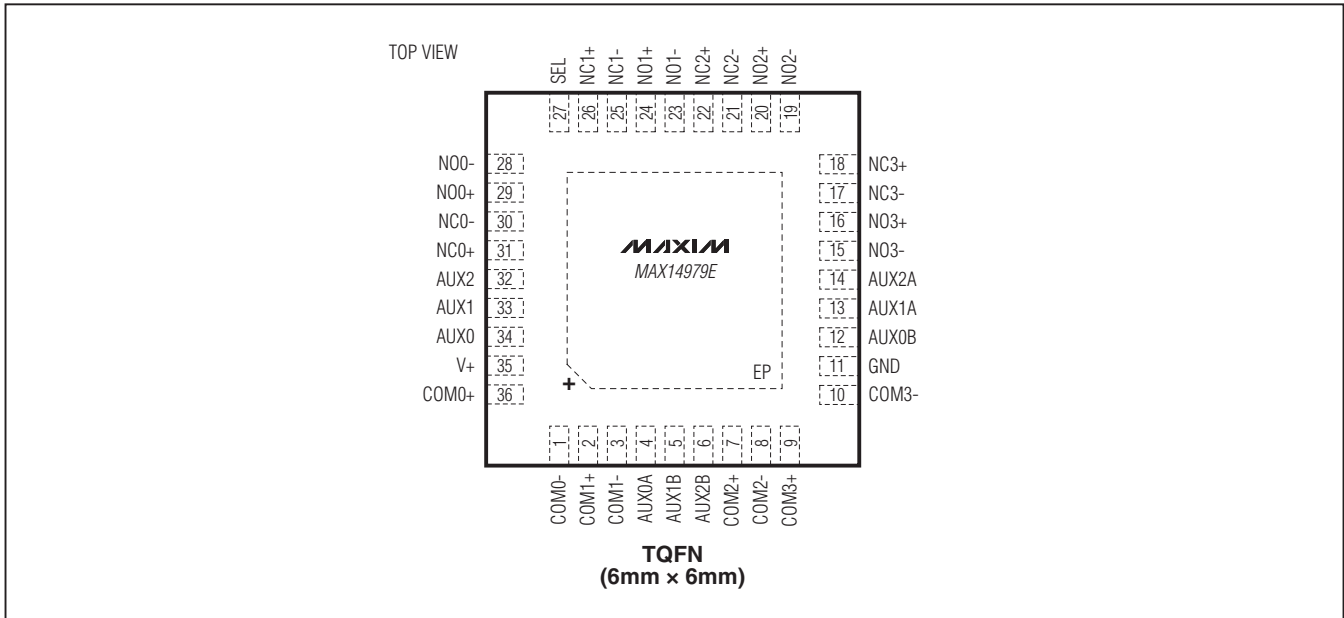
($V_+ = 3.3\text{V}$, $T_A = +25^\circ\text{C}$, unless otherwise noted.)

MAX14979E



High-Bandwidth, $\pm 15kV$ ESD Protection LVDS Switch

Pin Configuration



Pin Description

PIN	NAME	FUNCTION
1	COM0-	Common LVDS Differential Terminal for Switch 0
2	COM1+	Common LVDS Differential Terminal for Switch 1
3	COM1-	Common LVDS Differential Terminal for Switch 1
4	AUX0A	AUX0A Input
5	AUX1B	AUX1B Output. Drive SEL low (SEL = 0) to connect AUX0B to AUX1B.
6	AUX2B	AUX2B Output. Drive SEL high (SEL = 1) to connect AUX0B to AUX2B.
7	COM2+	Common LVDS Differential Terminal for Switch 2
8	COM2-	Common LVDS Differential Terminal for Switch 2
9	COM3+	Common LVDS Differential Terminal for Switch 3
10	COM3-	Common LVDS Differential Terminal for Switch 3
11	GND	Ground
12	AUX0B	AUX0B Input
13	AUX1A	AUX1A Output. Drive SEL low (SEL = 0) to connect AUX0A to AUX1A.
14	AUX2A	AUX2A Output. Drive SEL high (SEL = 1) to connect AUX0A to AUX2A.
15	NO3-	Normally Open LVDS Differential Terminal for Switch 3
16	NO3+	Normally Open LVDS Differential Terminal for Switch 3
17	NC3-	Normally Closed LVDS Differential Terminal for Switch 3
18	NC3+	Normally Closed LVDS Differential Terminal for Switch 3
19	NO2-	Normally Open LVDS Differential Terminal for Switch 2
20	NO2+	Normally Open LVDS Differential Terminal for Switch 2
21	NC2-	Normally Closed LVDS Differential Terminal for Switch 2

High-Bandwidth, $\pm 15\text{kV}$ ESD Protection LVDS Switch

MAX14979E

Pin Description (continued)

PIN	NAME	FUNCTION
22	NC2+	Normally Closed LVDS Differential Terminal for Switch 2
23	NO1-	Normally Open LVDS Differential Terminal for Switch 1
24	NO1+	Normally Open LVDS Differential Terminal for Switch 1
25	NC1-	Normally Closed LVDS Differential Terminal for Switch 1
26	NC1+	Normally Closed LVDS Differential Terminal for Switch 1
27	SEL	Select Input. SEL selects switch connection. See Table 1.
28	NO0-	Normally Open LVDS Differential Terminal for Switch 0
29	NO0+	Normally Open LVDS Differential Terminal for Switch 0
30	NC0-	Normally Closed LVDS Differential Terminal for Switch 0
31	NC0+	Normally Closed LVDS Differential Terminal for Switch 0
32	AUX2	AUX2 Output. Drive SEL high (SEL = 1) to connect AUX0 to AUX2.
33	AUX1	AUX1 Output. Drive SEL low (SEL = 0) to connect AUX0 to AUX1.
34	AUX0	AUX0 Input
35	V+	Positive-Supply Voltage Input. Bypass V+ to GND with a 0.1 μF ceramic capacitor.
36	COM0+	Common LVDS Differential Terminal for Switch 0
—	EP	Exposed Pad. Connect exposed pad to GND or leave it unconnected.

Detailed Description

The MAX14979E is a high-speed analog switch targeted at LVDS and other low-voltage switching up to 600MHz. In a typical application, the MAX14979E switches two sets of LVDS sources to a laptop LVDS panel. For extra security, the MAX14979E is protected against $\pm 15\text{kV}$ ESD shocks. See the *Functional Diagram*.

With its low resistance and capacitance, as well as high-ESD protection, the MAX14979E can be used to switch most low-voltage differential signals, such as LVDS and LVPECL, as long as the signals do not exceed the maximum ratings of the device.

The MAX14979E switches provide low capacitance and on-resistance to meet low insertion loss and return-loss specifications. The MAX14979E has three additional AUX switches.

Digital Control Inputs

The MAX14979E provides a single digital control SEL. SEL controls the switches as well as the AUX switches, as shown in Table 1.

Analog-Signal Levels

The on-resistance of the MAX14979E is very low and stable as the analog input signals are swept from ground to V+ (see the *Typical Operating Characteristics*). The

switches are bidirectional, allowing COM_ _ and NC_ _ / NO_ _ to be configured as either inputs or outputs.

ESD Protection

The MAX14979E is characterized using the HBM for $\pm 15\text{kV}$ of ESD protection. Figure 5 shows the HBM. This model consists of a 100pF capacitor charged to the ESD voltage of interest, which is then discharged into the test device through a 1.5k Ω resistor. All signal and control pins are ESD protected to $\pm 15\text{kV}$ HBM.

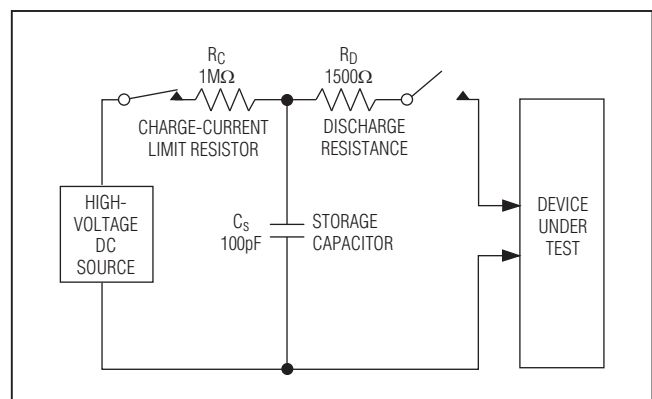


Figure 5. Human Body ESD Test Model (MIL-STD-883, Method 3015)

High-Bandwidth, ±15kV ESD Protection LVDS Switch

Functional Diagram

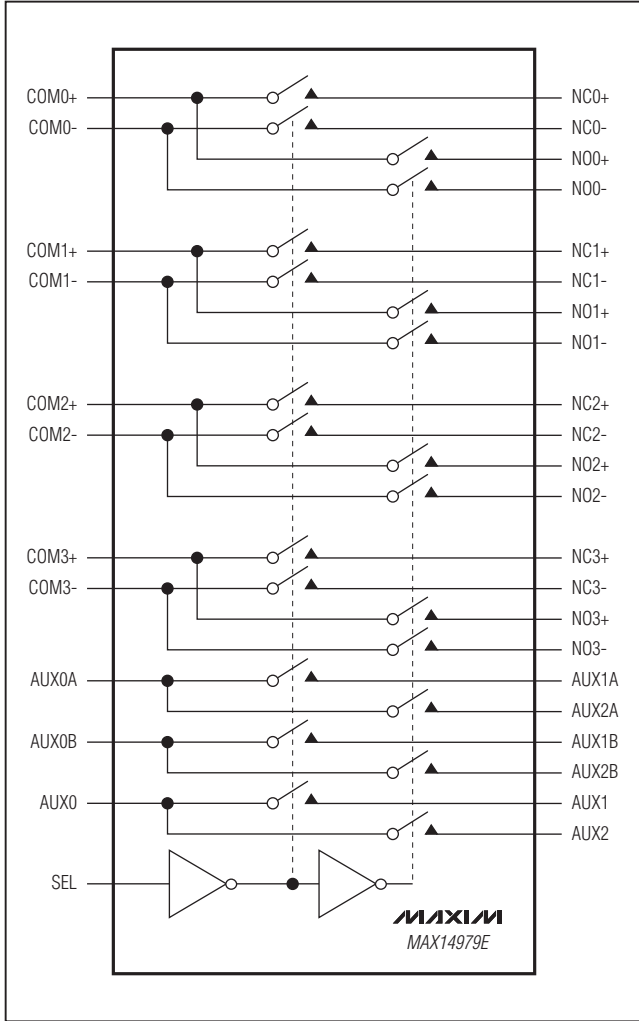


Table 1. Truth Table

SEL	CONNECTION
0	COM_ _ to NC_ _, AUX0_ to AUX1_
1	COM_ _ to NO_ _, AUX0_ to AUX2_

Applications Information

Typical Operating Circuit

The *Typical Operating Circuit* shows the MAX14979E in a dual graphics application.

Power-Supply Sequencing and Overvoltage Protection

Caution: Do not exceed the absolute maximum ratings. Stresses beyond the listed ratings may cause permanent damage to the device.

Proper power-supply sequencing is recommended for all CMOS devices. Always apply V+ before applying analog signals, especially if the analog signal is not current limited.

Layout

High-speed switches require proper layout and design procedures for optimum performance. Keep design-controlled-impedance PCB traces as short as possible. Ensure that bypass capacitors are as close as possible to the device. Use large ground planes where possible.

Chip Information

PROCESS: BiCMOS

Package Information

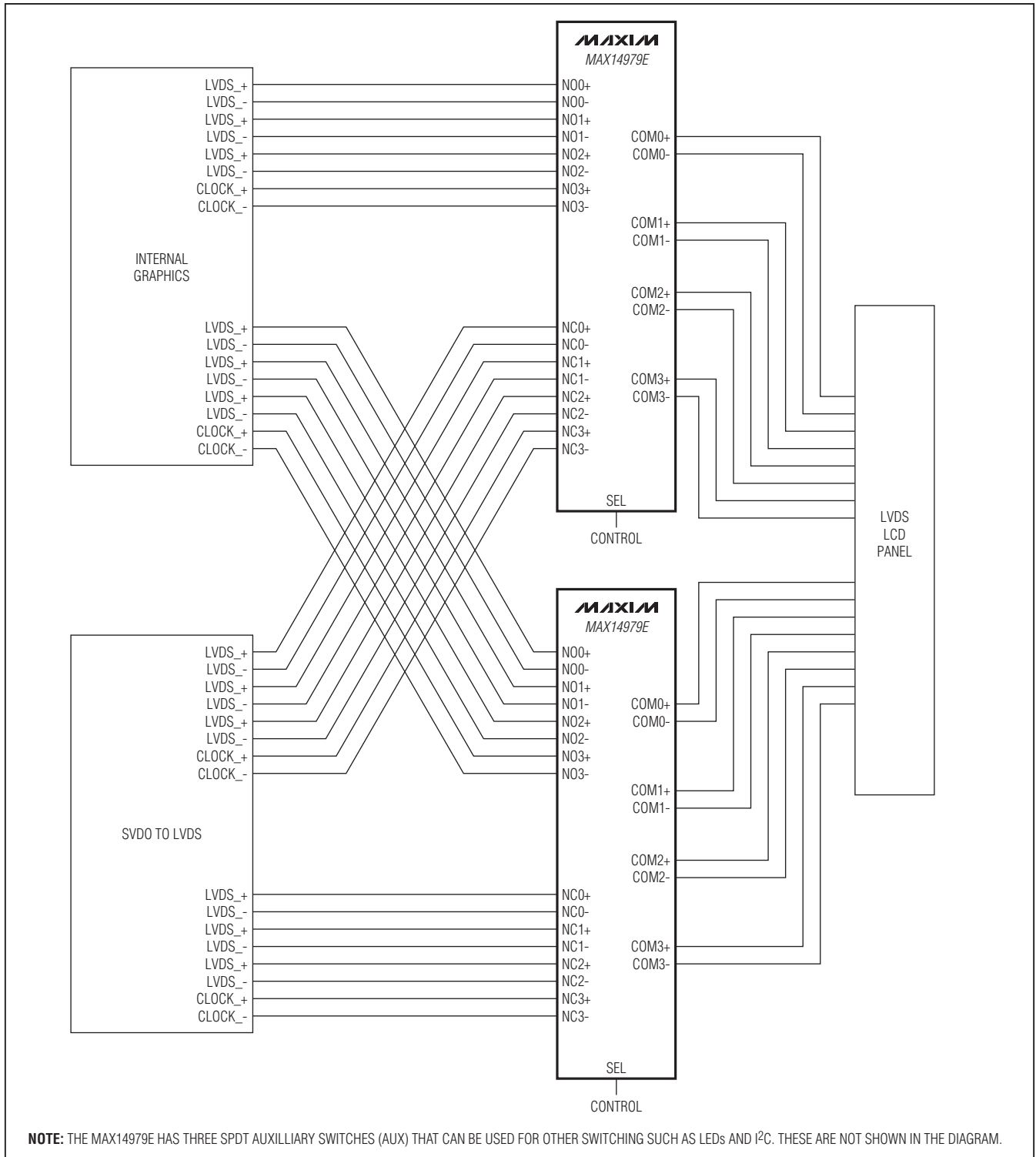
For the latest package outline information and land patterns, go to www.maxim-ic.com/packages. Note that a "+", "#", or "-" in the package code indicates RoHS status only. Package drawings may show a different suffix character, but the drawing pertains to the package regardless of RoHS status.

PACKAGE TYPE	PACKAGE CODE	DOCUMENT NO.
36 TQFN-EP	T3666+3	21-0141

High-Bandwidth, $\pm 15\text{kV}$ ESD Protection LVDS Switch

Typical Operating Circuit

MAX14979E



MAX14979E

High-Bandwidth, $\pm 15\text{kV}$ ESD Protection LVDS Switch

Revision History

REVISION NUMBER	REVISION DATE	DESCRIPTION	PAGES CHANGED
0	4/10	Initial release	—

Maxim cannot assume responsibility for use of any circuitry other than circuitry entirely embodied in a Maxim product. No circuit patent licenses are implied. Maxim reserves the right to change the circuitry and specifications without notice at any time.

10 _____ Maxim Integrated Products, 120 San Gabriel Drive, Sunnyvale, CA 94086 408-737-7600

© 2010 Maxim Integrated Products

Maxim is a registered trademark of Maxim Integrated Products, Inc.