

**LOW POWER DUAL SPST HI-SPEED USB 2.0 (480MBPS) SWITCH**
**IDTUS8031**

## Description

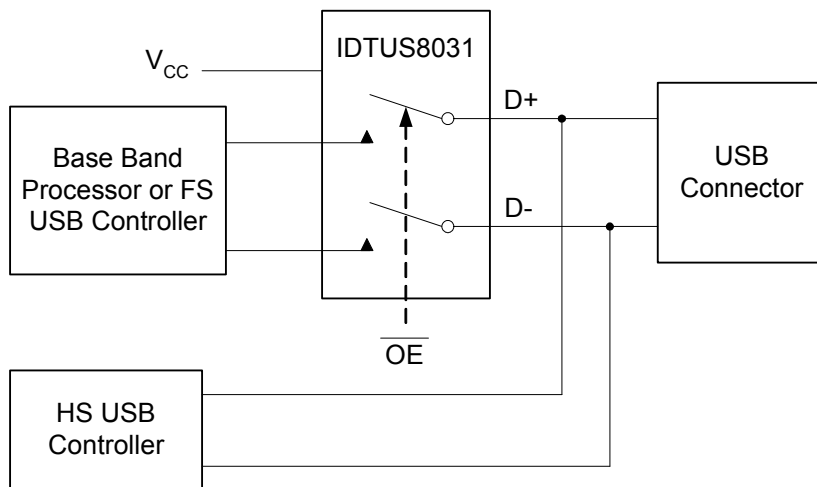
The IDTUS8031 is a low power, dual SPST 2-port hi-speed USB 2.0 switch. This part is configured as a single pole, single throw switch and is optimized for switching or isolating a hi-speed (480 Mbps) source or a hi-speed and full-speed (12 Mbps) source. The IDTUS8031 is compatible with the requirements of USB2.0 and features an extremely low ON capacitance ( $C_{ON}$ ) of 3.7 pF. The wide bandwidth of this device (>720 MHz) exceeds the bandwidth needed to pass the 3rd harmonic, resulting in signals with minimum edge and phase distortion. Superior channel-to-channel crosstalk also minimizes interference.

The IDTUS8031 contains circuitry on the D+/D- pins which allows the device to withstand an overvoltage condition. This device is also designed to minimize current consumption even when the control voltage applied to the  $\overline{OE}$  pin is lower than the supply voltage ( $V_{CC}$ ). This feature is especially valuable to portable applications such as cell phones, allowing for direct interface with the general purpose I/Os of the baseband processor.

## Applications

- Notebooks, PDAs
- Cellular phones, Digital cameras
- LCD monitors, TVs, Set-top Boxes

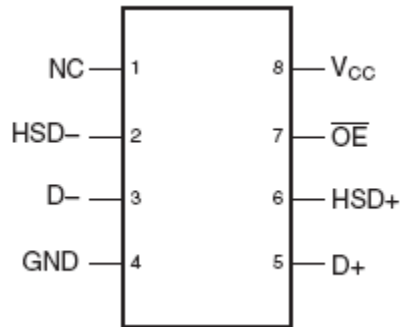
## Block Diagram



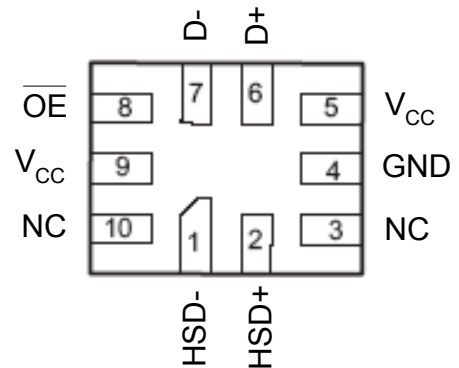
## Features

- Low On capacitance, 3.7 pF (typical)
- Low On resistance, 6.5 $\Omega$  (typical)
- Low power consumption (1  $\mu$ A maximum)
  - 10  $\mu$ A maximum ICCT over and expanded control voltage range ( $V_{IN}=2.6$  V,  $V_{CC}=4.3$  V)
- Wide -3dB bandwidth, > 720 MHz
- 8K I/O to GND ESD protection
- Power OFF protection when  $V_{CC}=0$ V, D+/D- pins can tolerate up to 4.3 V
- Packaged in RoHS compliant 8-pin MSOP and 10-lead  $\mu$ MLP (1.4 x1.8mm)

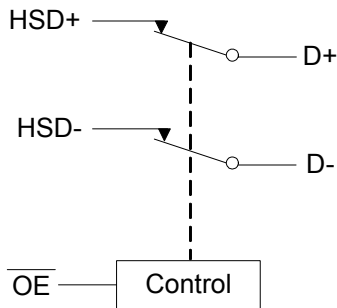
### Pin Assignment (MSOP)



### Pin Assignment (μMLP)



### Analog Symbol



### Truth Table

$\overline{OE}$	Function
H	Disconnect
L	D+, D- = HSD

### Pin Descriptions

Pin Name	Pin Description
$\overline{OE}$	Bus switch enable.
D+, D-, HSD+, HSD-	Data ports.
NC	No connect.

## Absolute Maximum Ratings

Stresses above the ratings listed below can cause permanent damage to the IDTUS8031. These ratings, which are standard values for IDT commercially rated parts, are stress ratings only. Functional operation of the device at these or any other conditions above those indicated in the operational sections of the specifications is not implied. Exposure to absolute maximum rating conditions for extended periods can affect product reliability. Electrical parameters are guaranteed only over the recommended operating temperature range. All voltages referenced to ground.

Symbol	Parameter	Rating
$V_{CC}$	Supply Voltage	-0.5 V to 4.6 V
$V_S$	DC Input Voltage <sup>1</sup>	-0.5 V to 4.6 V
$V_{IN}$	DC Switch Voltage <sup>1</sup> HSD D+, D-	-0.5 V to $V_{CC}$ to 0.3 V -0.5 V to 4.6 V
	DC Input Diode Current	-50 mA
	DC Output Current	50 mA
	Storage Temperature	-65°C to 150°C
	ESD (Human Body Mode) All Pins I/O to GND	7.5 kV 8 kV

## Recommended Operating Conditions <sup>2</sup>

Symbol	Parameter	Rating
$V_{CC}$	Supply Voltage	3.0 V to 4.3 V
$V_{IN}$	DC Switch Voltage	0V to $V_{CC}$
	DC Input Diode Current	0V to $V_{CC}$
	Storage Temperature	-40°C to +85°C

Note 1: The input and output negative voltage ratings may be exceeded if the input and output diode current ratings are observed. DC switch voltage may never exceed 4.6V

Note 2: Control input must be held HIGH or LOW and it must not float.

## DC Electrical Characteristics

Unless stated otherwise, typical values are at 25°C

Symbol	Parameter	Conditions	V <sub>CC</sub> (V)	T <sub>A</sub> = -40°C to +85°C			Units
				Min.	Typ.	Max.	
V <sub>IK</sub>	Clamp Diode Voltage	I <sub>IN</sub> = -18 mA	3.0	0		-1.2	V
V <sub>IH</sub>	Input Voltage HIGH		3.0 to 3.6	1.3			V
			4.3	1.7			
V <sub>IL</sub>	Input Voltage LOW		3.0 to 3.6			0.5	V
			4.3			0.7	
I <sub>IN</sub>	Control Input Leakage	V <sub>IN</sub> = 0V to V <sub>CC</sub>	4.3	-1.0		1.0	μA
I <sub>OZ</sub>	OFF State Leakage	0 ≤ HSD ≤ V <sub>CC</sub>	4.3	-2.0		2.0	μA
I <sub>OFF</sub>	Power OFF Leakage Current (D+, D-)	V <sub>IN</sub> = 0V to 4.3 V V <sub>CC</sub> = 0V	0	-2.0		2.0	μA
R <sub>ON</sub>	Switch On Resistance <sup>1</sup>	V <sub>IN</sub> = 0.4 V, I <sub>ON</sub> = -8 mA	3.0		6.5	10.0	Ω
ΔR <sub>ON</sub>	Delta R <sub>ON</sub> <sup>2</sup>	V <sub>IN</sub> = 0.4 V, I <sub>ON</sub> = -8 mA	3.0		0.35		Ω
R <sub>ON</sub> Flatness	R <sub>ON</sub> Flatness <sup>1</sup>	V <sub>IN</sub> = 0V to 1.0 V, I <sub>ON</sub> = -8 mA	3.0		2.0		Ω
I <sub>CC</sub>	Quiescent Supply Current	V <sub>IN</sub> = 0V or V <sub>CC</sub> , I <sub>OUT</sub> = 0	4.3			1.0	μA
I <sub>CCT</sub>	Increase in I <sub>CC</sub> Current per Control voltage and V <sub>CC</sub> levels	V <sub>IN</sub> = 2.6 V, V <sub>CC</sub> = 4.3 V	4.3			10.0	μA

### Notes:

1. Measured by the voltage drop between Dn, HSD, Dn pins at the indicated current through the switch. On Resistance is determined by the lower of the voltage on the two ports.
2. Guaranteed by design.

## AC Electrical Characteristics

Unless stated otherwise, typical values are for V<sub>CC</sub> = 3.3 V at 25°C

Symbol	Parameter	Conditions	V <sub>CC</sub> (V)	T <sub>A</sub> = -40°C to +85°C			Units
				Min.	Typ.	Max.	
t <sub>ON</sub>	Turn ON Time, $\overline{OE}$ to output	V <sub>IN</sub> = 0.8 V, R <sub>L</sub> = 50Ω, C <sub>L</sub> = 5 pF	3.0 to 3.6		15.0	30.0	ns
t <sub>OFF</sub>	Turn OFF Time, $\overline{OE}$ to output	V <sub>IN</sub> = 0.8 V, R <sub>L</sub> = 50Ω, C <sub>L</sub> = 5 pF	3.0 to 3.6		12.0	25.0	ns
t <sub>PD</sub>	Propagation Delay <sup>1</sup>	R <sub>L</sub> = 50Ω, C <sub>L</sub> = 5 pF	3.3		0.25		ns
T <sub>BMM</sub>	Break-Before-Make	V <sub>IN</sub> = 0.8 V, R <sub>L</sub> = 50Ω, C <sub>L</sub> = 5 pF	3.0 to 3.6	2.0		6.5	ns
O <sub>IRR</sub>	OFF Isolation (non-adjacent)	R <sub>T</sub> = 50Ω, f = 240 MHz	3.0 to 3.6		-35.0		dB
Xtalk	Non-adjacent Channel Crosstalk	R <sub>T</sub> = 50Ω, f = 240 MHz	3.0 to 3.6		-55.0		dB
BW	-3dB Bandwidth	R <sub>T</sub> = 50Ω, C <sub>L</sub> = 0 pF	3.0 to 3.6		720		MHz
		R <sub>T</sub> = 50Ω, C <sub>L</sub> = 5 pF			550		

**Note 1:** Guaranteed by design.

## USB Hi-Speed Related AC Electrical Characteristics

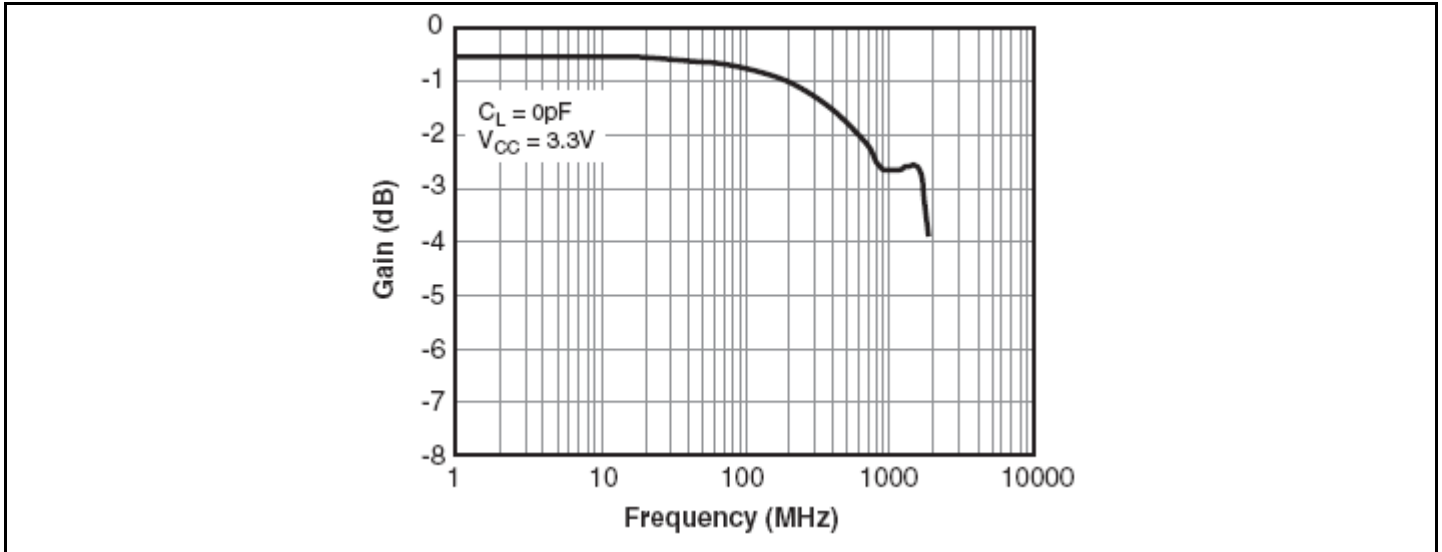
Symbol	Parameter	Conditions	V <sub>CC</sub> (V)	T <sub>A</sub> = -40°C to +85°C			Units
				Min.	Typ.	Max.	
t <sub>SK(O)</sub>	Channel-to-channel Skew <sup>1</sup>	C <sub>L</sub> = 5 pF	3.0 to 3.6		50.0		ps
t <sub>SK(P)</sub>	Skew of the Opposite Transitions of the Same Output <sup>1</sup>	C <sub>L</sub> = 5 pF	3.0 to 3.6		20.0		ps
t <sub>J</sub>	Total Jitter <sup>1</sup>	R <sub>L</sub> = 50Ω, C <sub>L</sub> = 5 pF, t <sub>R</sub> = t <sub>F</sub> = 500 ps at 480 Mbps (PRBS = 2 <sup>15</sup> - 1)	3.0 to 3.6		200		ps

**Note 1:** Guaranteed by design.

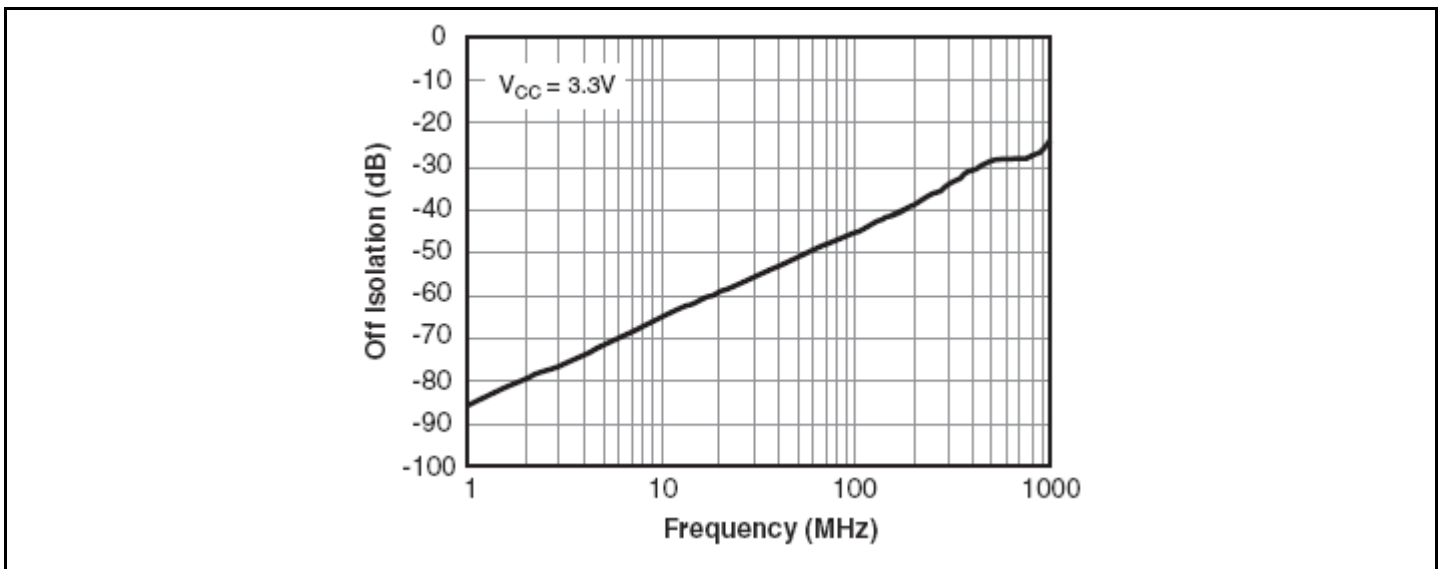
## Capacitance

Symbol	Parameter	Conditions	T <sub>A</sub> = -40°C to +85°C			Units
			Min.	Typ.	Max.	
C <sub>IN</sub>	Control Pin Input Capacitance	V <sub>CC</sub> = 0V		1.0		pF
C <sub>ON</sub>	D1 <sub>n</sub> , D2 <sub>n</sub> , Dn ON Capacitance	V <sub>CC</sub> = 3.3 V, $\overline{OE} = 0V$		3.7		pF
C <sub>OFF</sub>	D1 <sub>n</sub> , D2 <sub>n</sub> , OFF Capacitance	V <sub>CC</sub> and $\overline{OE} = 3.3 V$		1.7		pF

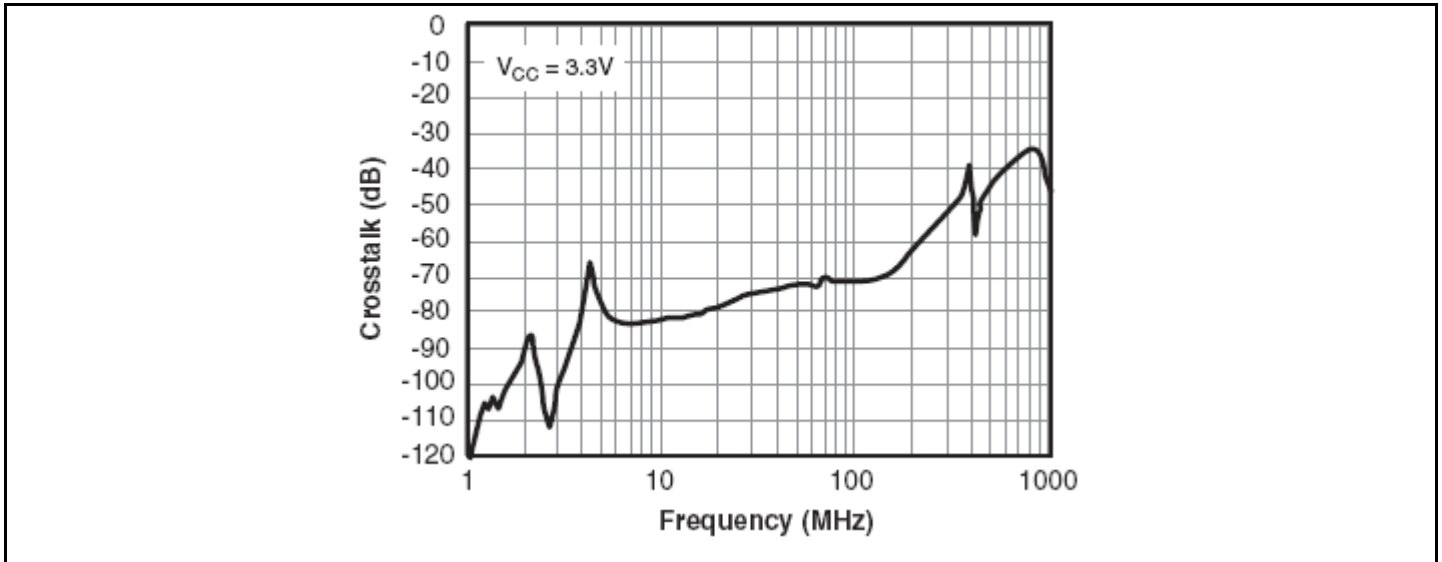
## Test Circuits and Timing Diagrams



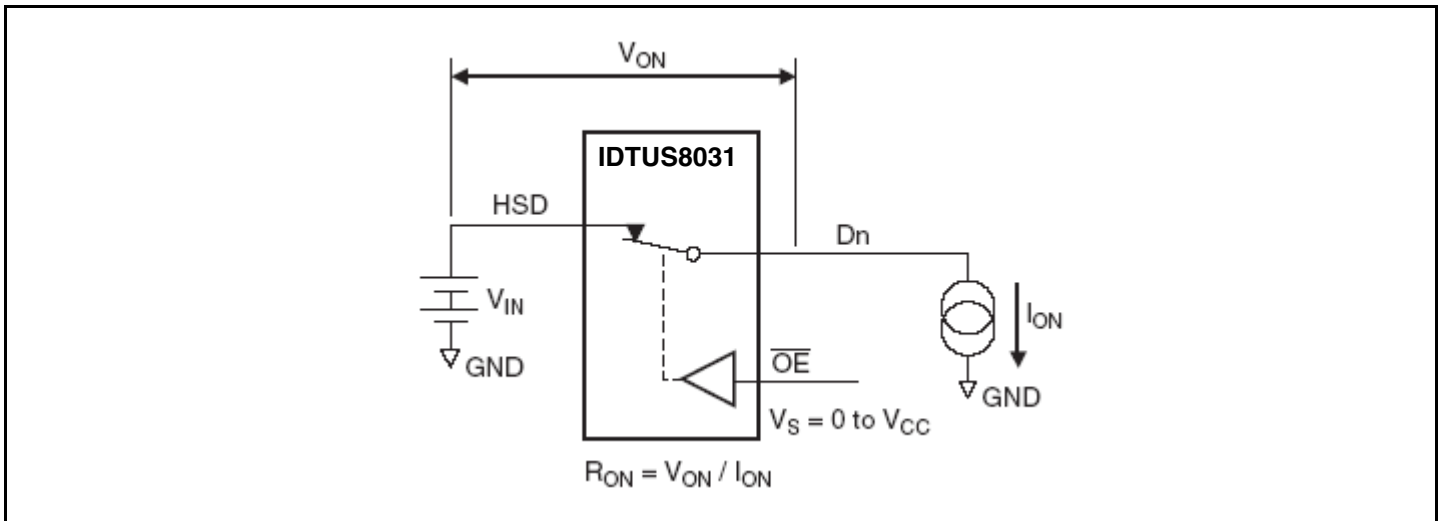
Gain vs. Frequency



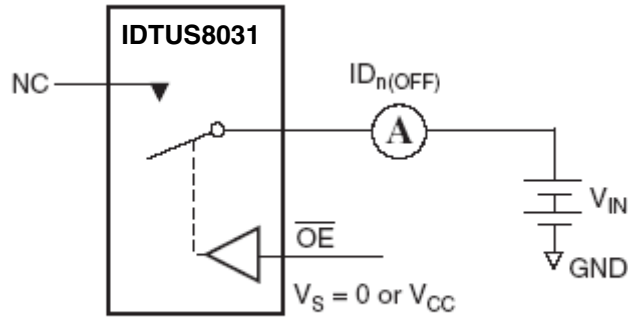
OFF Isolation



Crosstalk

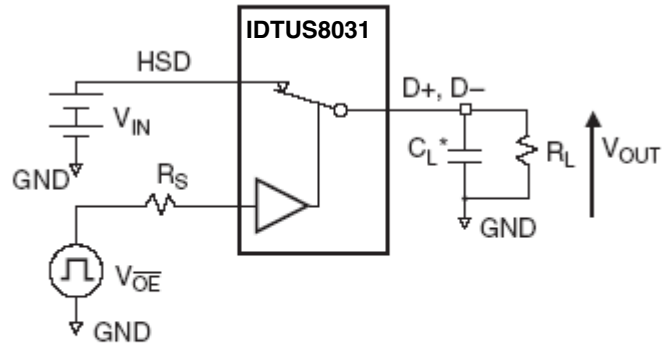


On Resistance



Each switch port is tested separately.

**OFF Leakage**

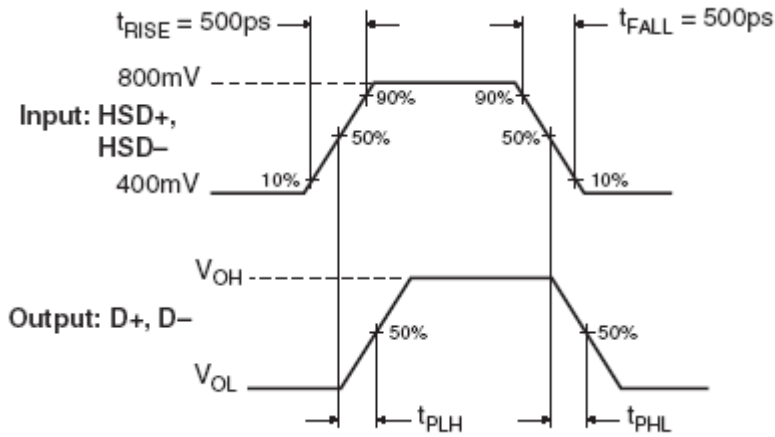


$R_L$ ,  $R_S$ , and  $C_L$  are functions of the application environment (see AC Electrical tables for specific values).

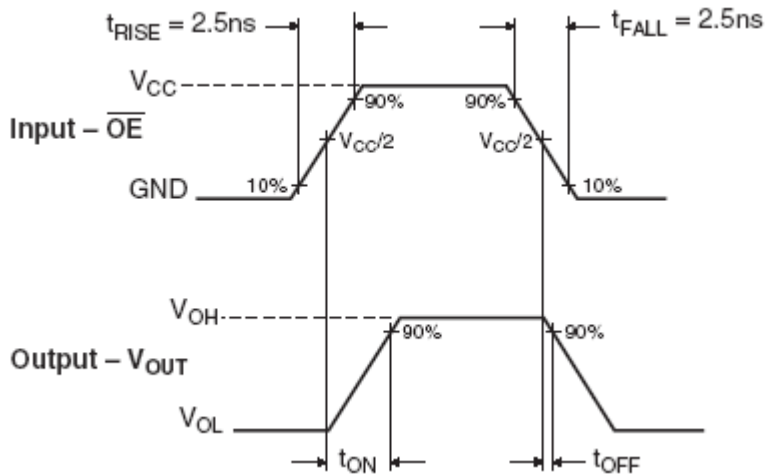
\* $C_L$  includes test fixture and stray capacitance.

**AC Test Circuit Load**

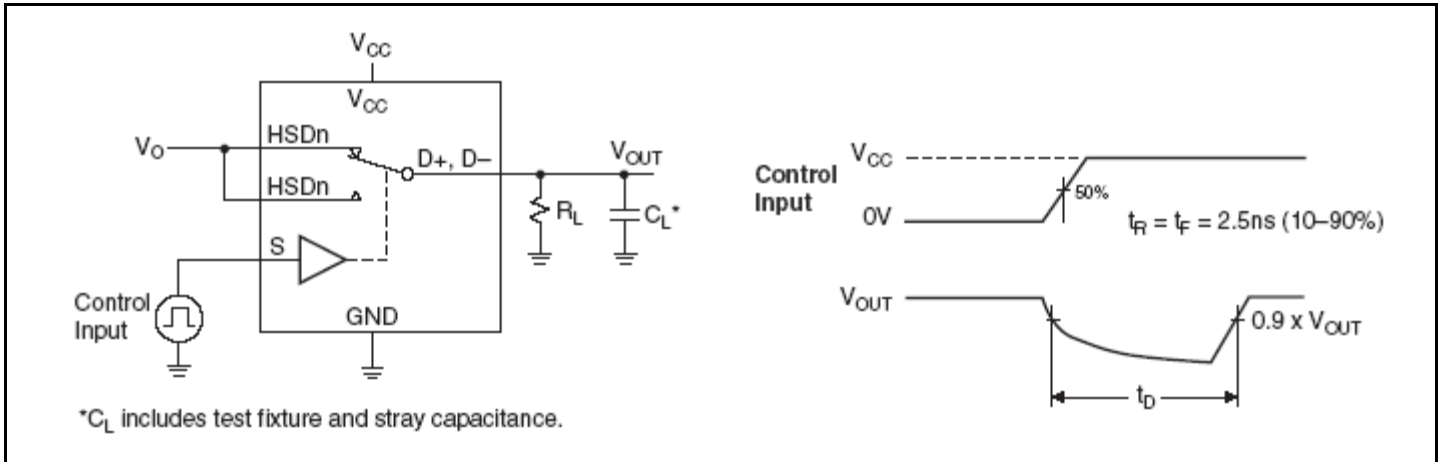




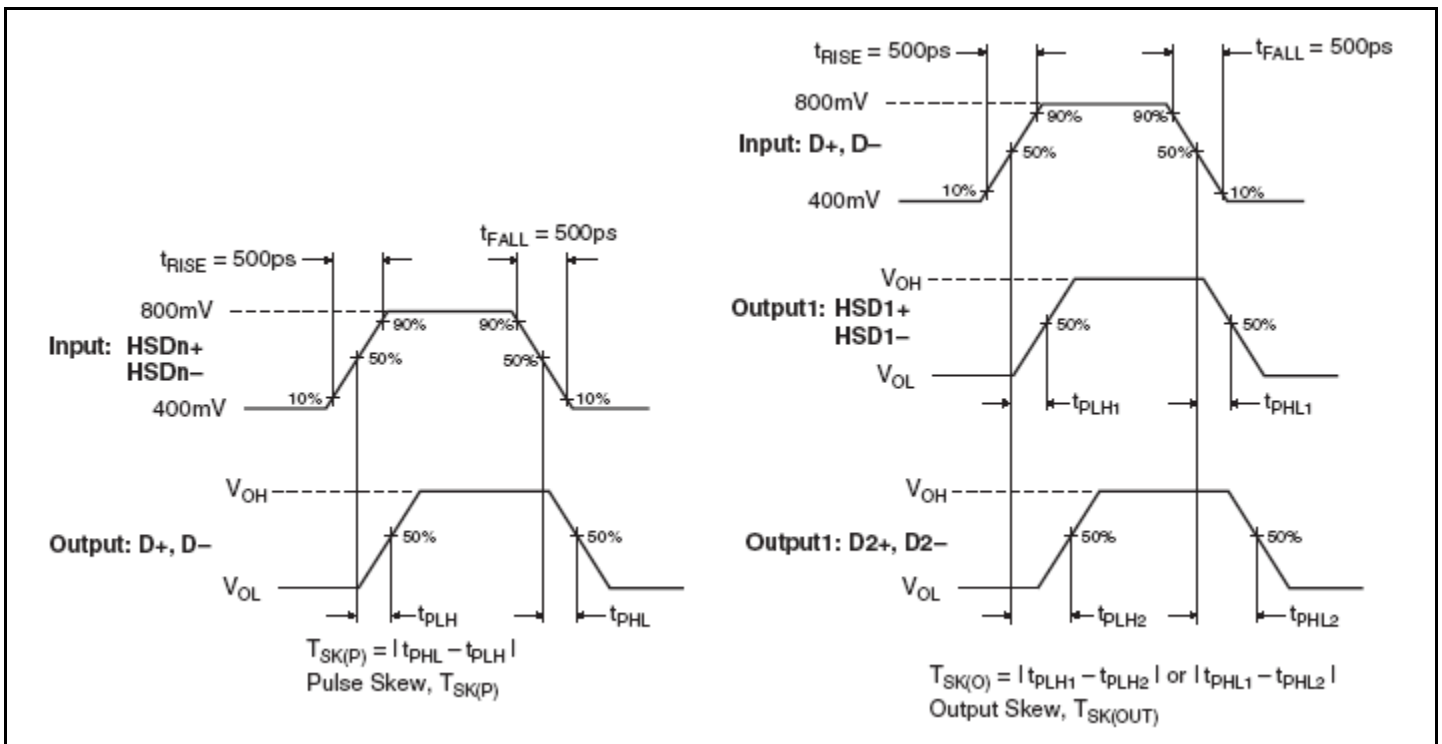
Switch Propagation Delay Waveforms ( $T_{PD}$ )



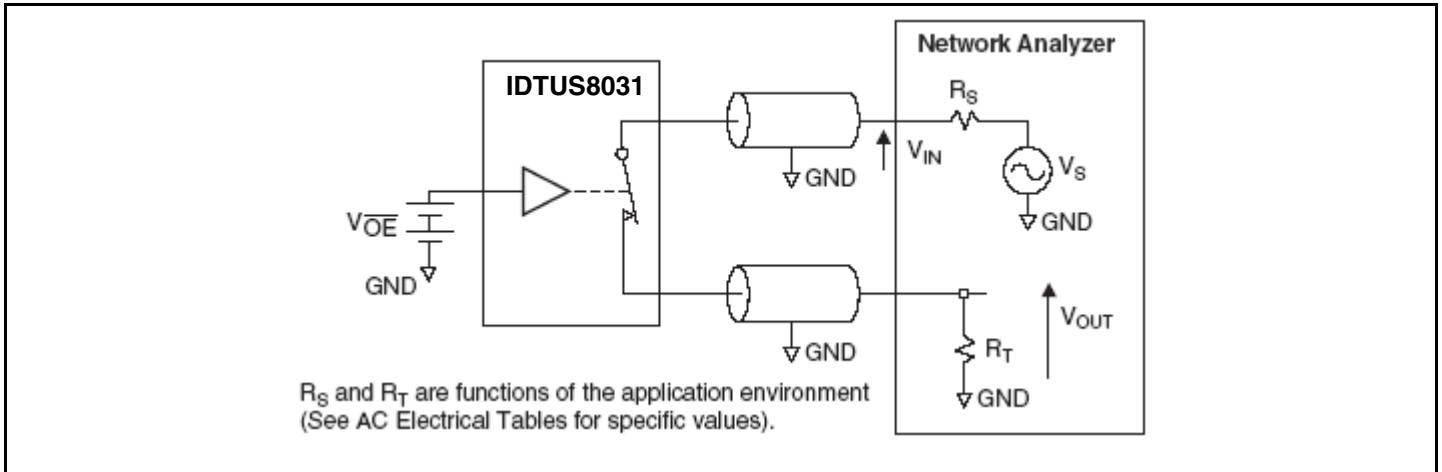
Turn ON / Turn OFF Waveform ( $T_{ON} / T_{OFF}$ )



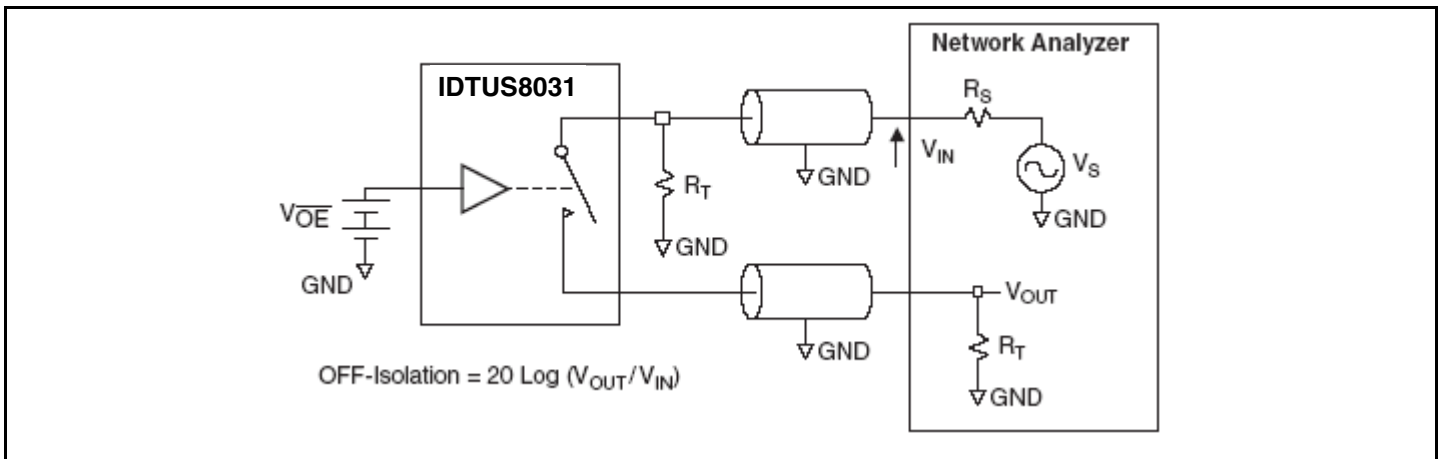
Break-Before-Make ( $T_{BBM}$ )



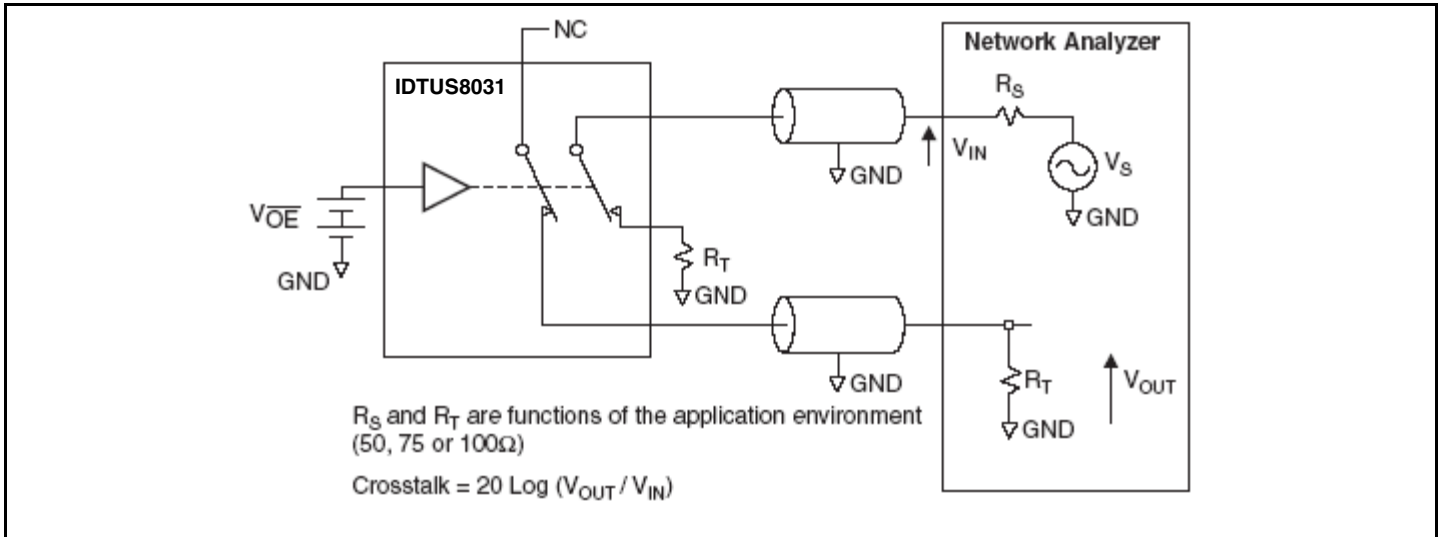
Switch Skew Tests



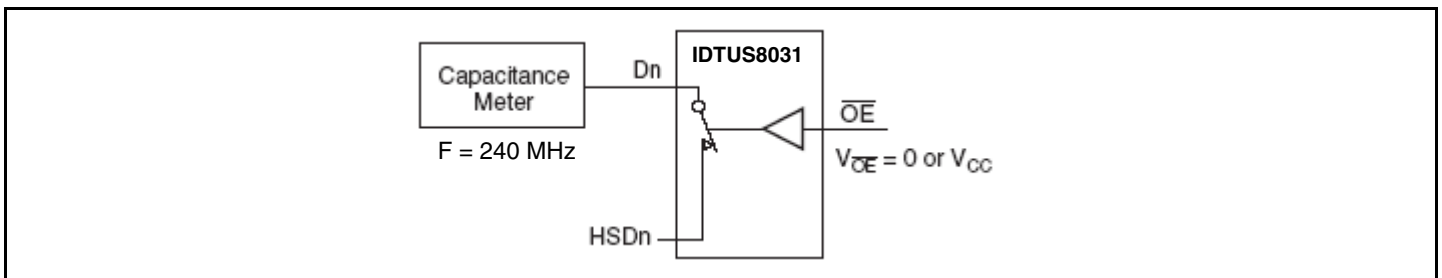
**Bandwidth**



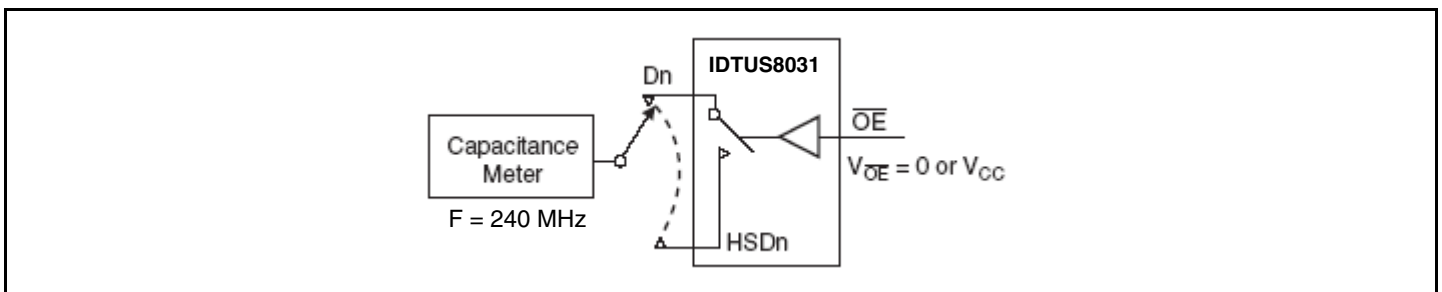
**Channel OFF Isolation**



**Non-Adjacent Channel-to-Channel Crosstalk**

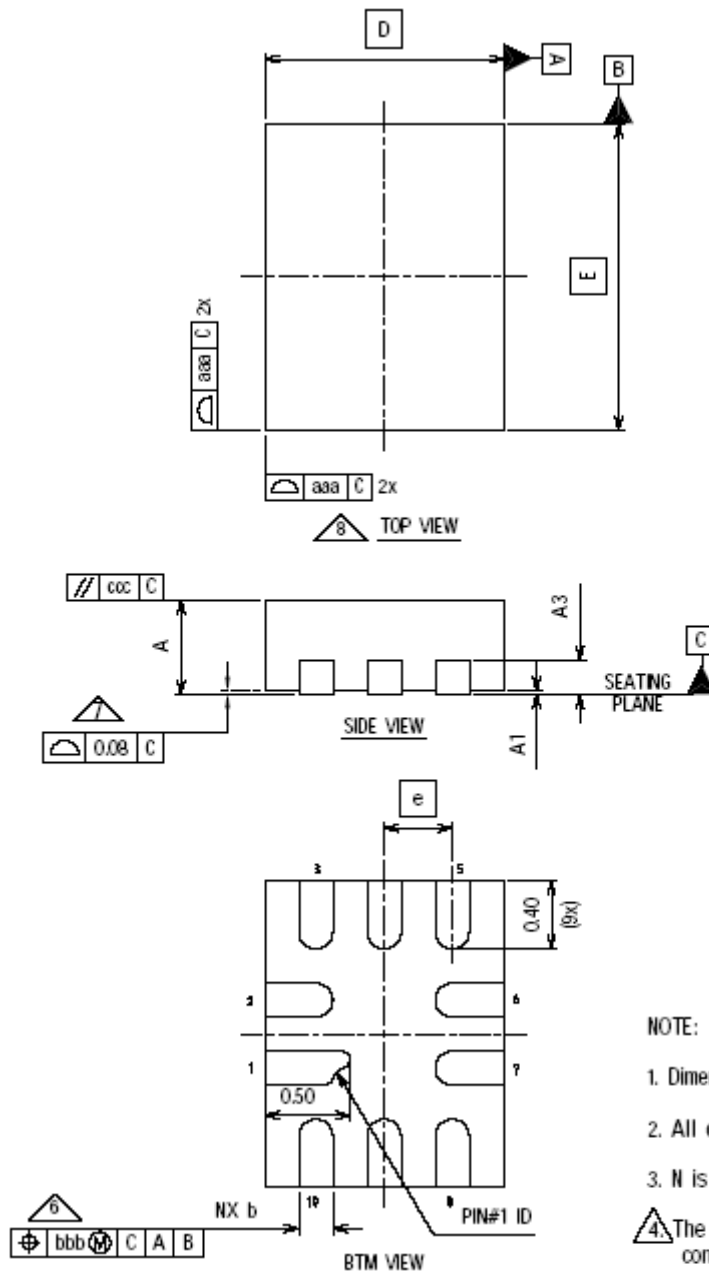


**Channel ON Capacitance**



**Channel OFF Capacitance**

### Package Outline and Package Dimensions (10-pin $\mu$ MLP)



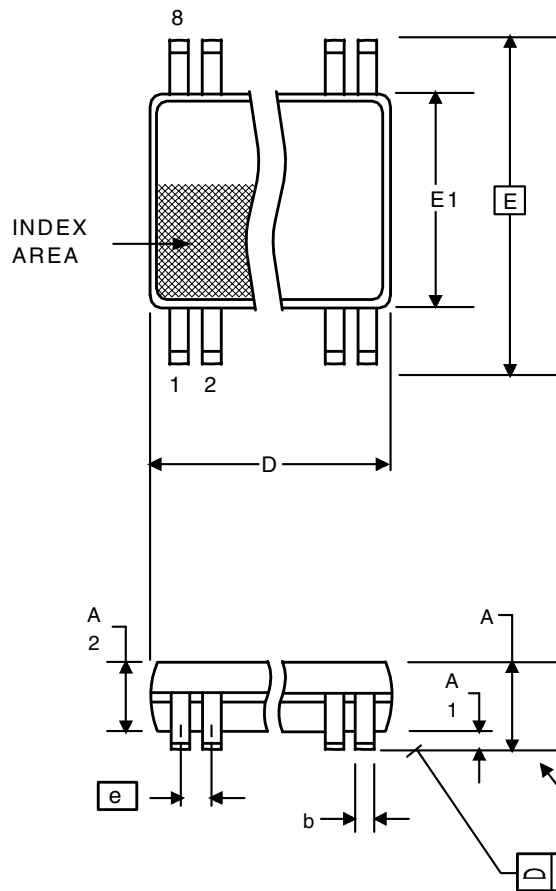
SYMBOL	Millimeters			Notes
	MIN	NOM	MAX	
A	0.51	0.55	0.60	1, 2
A1	0.00	0.02	0.05	1, 2
A3		0.15 ref		1, 2
b	0.15	0.20	0.25	
c	0.09		0.20	
D	1.40 BASIC			
E	1.80 BASIC			
E1	6.00		6.20	
N	10			3
ND	3			5
NE	2			5
e	0.40			
aaa	0.15			
bbb	0.10			

**NOTE:**

1. Dimensioning and tolerancing conform to ASME Y14.5M-1994.
2. All dimensions are in millimeters, angles are in degrees(°).
3. N is the total number of terminals.
4. The location of the terminal #1 identifier and terminal numbering convention conforms to JEDEC publication 95 SPP-002.
5. ND and NE refer to the number of terminals on each D and E side respectively.
6. Dimension b applies to metallized terminal and is measured between 0.15mm and 0.30mm from the terminal tip. If the terminal has the optional radius on the other end of the terminal, the dimension b should not be measured in that radius area.
7. Coplanarity applies to the terminals and all other bottom surface metallization.
8. Drawing shown are for illustration only.

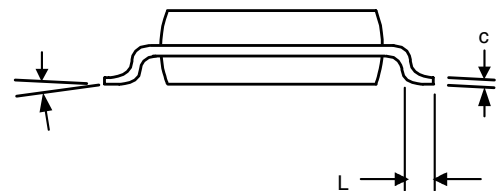
### Package Outline and Package Dimensions (8-pin MSOP, 3.00 mm Body)

Package dimensions are kept current with JEDEC Publication No. 95



Symbol	Millimeters		Inches*	
	Min	Max	Min	Max
A	--	1.10	--	0.043
A1	0	0.15	0	0.006
A2	0.79	0.97	0.031	0.038
b	0.22	0.38	0.008	0.015
C	0.08	0.23	0.003	0.009
D	3.00 BASIC		0.118 BASIC	
E	4.90 BASIC		0.193 BASIC	
E1	3.00 BASIC		0.118 BASIC	
e	0.65 Basic		0.0256 Basic	
L	0.40	0.80	0.016	0.032
α	0°	8°	0°	8°
aaa	-	0.10	-	0.004

\*For reference only. Controlling dimensions in mm.



### Ordering Information

Part / Order Number	Marking	Shipping Packaging	Package	Temperature
US8031DVGI	TBD	Tubes	8-pin MSOP	-40°C to +85°C
US8031DVGI8	TBD	Tape and Reel	8-pin MSOP	-40°C to +85°C
US8031NDGI	TBD	Tubes	10-pin μMLP	-40°C to +85°C
US8031NDGI8	TBD	Tape and Reel	10-pin μMLP	-40°C to +85°C

Parts that are ordered with a "G" after the two-letter package code are the Pb-Free configuration and are RoHS compliant.

While the information presented herein has been checked for both accuracy and reliability, Integrated Device Technology (IDT) assumes no responsibility for either its use or for the infringement of any patents or other rights of third parties, which would result from its use. No other circuits, patents, or licenses are implied. This product is intended for use in normal commercial applications. Any other applications such as those requiring extended temperature range, high reliability, or other extraordinary environmental requirements are not recommended without additional processing by IDT. IDT reserves the right to change any circuitry or specifications without notice. IDT does not authorize or warrant any IDT product for use in life support devices or critical medical instruments.

## Revision History

Rev.	Originator	Date	Description of Change
E		02/06/09	Added 10-pin MLP package.
F		03/02/09	Moved HSD-/+ pins on pinout diagram to pin 1 and 2 respectively.

**Innovate with IDT and accelerate your future networks. Contact:**

**www.IDT.com**

**For Sales**

800-345-7015  
408-284-8200  
Fax: 408-284-2775

**For Tech Support**

[www.idt.com/go/clockhelp](http://www.idt.com/go/clockhelp)

---

**Corporate Headquarters**

Integrated Device Technology, Inc.  
[www.idt.com](http://www.idt.com)



[www.IDT.com](http://www.IDT.com)