



# Serial Controlled, 8-Channel SPST Switch

**MAX335**

## General Description

The MAX335 analog switch with serial digital interface offers eight separately controlled single-pole-single-throw (SPST) switches. All switches conduct equally in either direction, and on-resistance (100Ω) is constant over the analog signal range.

These CMOS switches can operate continuously with power supplies ranging from ±4.5V to ±20V and handle rail-to-rail analog signals. Upon power-up, all switches are off, and the internal serial and parallel shift registers are reset to zero. The MAX335 is equivalent to two DG211 quad switches but controlled by a serial interface.

The interface is compatible with the Motorola SPI interface standard. Functioning as a shift register, this serial interface allows data (at DIN) to be locked in synchronous with the rising edge of clock (SCLK). The shift register's output (DOUT) enables several MAX335s to be daisy chained.

## Applications

- Serial Data Acquisition and Process Control
- Avionics
- Signal Routing
- Networking

## Features

- ◆ 8 Separately Controlled SPST Switches
- ◆ SPI-Compatible Serial Interface
- ◆ Accepts ±15V Analog Swings
- ◆ Multiple Devices Can Be Daisy Chained

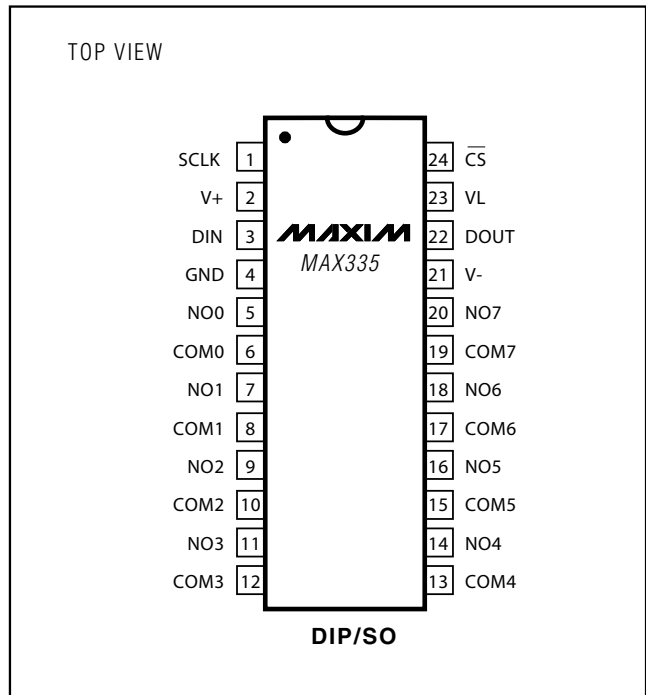
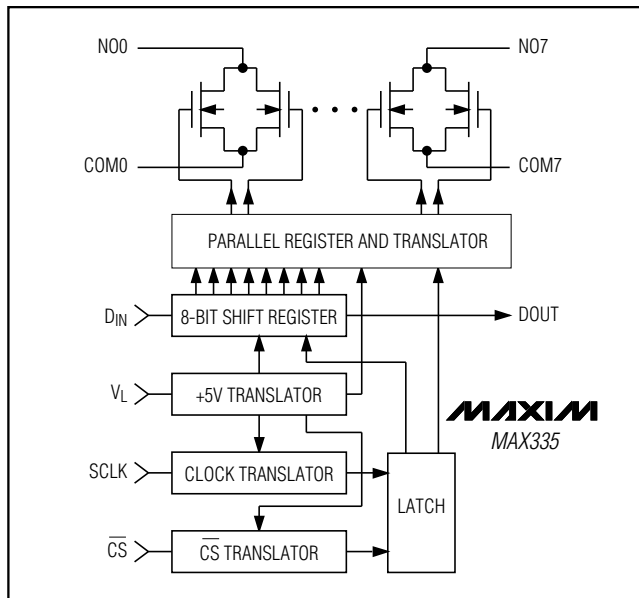
## Ordering Information

PART	TEMP RANGE	PIN-PACKAGE
MAX335CNG	0°C to +70°C	24 Narrow Plastic DIP
MAX335CWG	0°C to +70°C	24 Wide SO
MAX335C/D	0°C to +70°C	Dice*
MAX335ENG	-40°C to +85°C	24 Narrow Plastic DIP
MAX335EUG	-40°C to +85°C	24 TSSOP
MAX335EWG	-40°C to +85°C	24 Wide SO
MAX335MRG	-55°C to +125°C	24 Narrow CERDIP**

\* Contact factory for dice specifications.

\*\* Contact factory for availability and processing to MIL-STD-883.

## Pin Configuration



# Serial Controlled, 8-Channel SPST Switch

MAX335

## ABSOLUTE MAXIMUM RATINGS

Voltages Referenced to V-

V+ .....44V  
 GND .....25V  
 VL .....(GND - 0.3V) to (V+ + 0.3V)  
 SCLK,  $\overline{CS}$ , DIN, DOUT, NO\_, COM\_ .....V- -2V to V+ +2V  
 or 30mA, whichever occurs first

Continuous Current (any terminal) .....30mA  
 Peak Current, NO or COM  
 (pulsed at 1ms, 10% duty cycle MAX) .....00mA

Continuous Power Dissipation ( $T_A = +70^\circ\text{C}$ ) (Note 1)  
 Narrow Plastic DIP (derate 13.33mW/ $^\circ\text{C}$  above  $+70^\circ\text{C}$ ) 1067mW  
 Wide SO (derate 11.76mW/ $^\circ\text{C}$  above  $+70^\circ\text{C}$ ) .....941mW  
 Narrow CERDIP (derate 12.50mW/ $^\circ\text{C}$  above  $+70^\circ\text{C}$ ) .....1000mW  
 TSSOP (derate 12.2mW/ $^\circ\text{C}$  above  $+70^\circ\text{C}$ ) .....30mA

Operating Temperature Ranges  
 MAX335C\_ \_ ..... $0^\circ\text{C}$  to  $+70^\circ\text{C}$   
 MAX335E\_ \_ ..... $-40^\circ\text{C}$  to  $+85^\circ\text{C}$   
 MAX335MRG ..... $-55^\circ\text{C}$  to  $+125^\circ\text{C}$   
 Storage Temperature Range ..... $-65^\circ\text{C}$  to  $+160^\circ\text{C}$   
 Lead Temperature (soldering, 10sec) ..... $+300^\circ\text{C}$

**Note 1:** All leads are soldered or welded to PC boards.

Stresses beyond those listed under "Absolute Maximum Ratings" may cause permanent damage to the device. These are stress ratings only, and functional operation of the device at these or any other conditions beyond those indicated in the operational sections of the specifications is not implied. Exposure to absolute maximum rating conditions for extended periods may affect device reliability.

## ELECTRICAL CHARACTERISTICS

( $V_L = +5V \pm 10\%$ ,  $V_+ = 15V$ ,  $V_- = -15V$ ,  $T_A = T_{MIN}$  to  $T_{MAX}$ , unless otherwise noted. Typical values are at  $T_A = +25^\circ\text{C}$ .)

PARAMETER	SYMBOL	CONDITIONS	MIN	TYP	MAX	UNITS	
<b>SWITCH</b>							
Analog Signal Range	VANALOG	$T_A = T_{MIN}$ to $T_{MAX}$	-15		15	V	
On-Resistance	$R_{ON}$	$V_{COM} = \pm 10V$ , $I_{NO} = 1mA$		100	150	$\Omega$	
					200		
NO Off-Leakage Current	$I_{NO(OFF)}$	$V_{COM} = -14V$ , $V_{NO} = +14V$	$T_A = +25^\circ\text{C}$	-1	0.002	1	nA
				-20		20	
		$T_A = +25^\circ\text{C}$	-1	0.002	1		
			-20		20		
COM Off-Leakage Current	$I_{COM(OFF)}$	$V_{COM} = -14V$ , $V_{NO} = +14V$	$T_A = +25^\circ\text{C}$	-1	0.002	1	nA
				-20		20	
		$T_A = +25^\circ\text{C}$	-1	0.002	1		
			-20		20		
COM On-Leakage Current	$I_{COM(ON)}$	$V_{COM} = V_{NO} = +14V$	$T_A = +25^\circ\text{C}$	-2	0.01	2	nA
				-40		40	
		$T_A = +25^\circ\text{C}$	-2	0.01	2		
			-40		40		
<b>DIGITAL I/O</b>							
DIN, SCLK, $\overline{CS}$ Input Logic Threshold High	$V_{IH}$	$V_L = +5V$	2.4			V	
		$V_L = +15V$	11				
DIN, SCLK, $\overline{CS}$ Input Logic Threshold Low	$V_{IL}$	$V_L = +5V$			0.8	V	
		$V_L = +15V$			3		
DIN, SCLK, $\overline{CS}$ Input Current Logic High	$I_{INH}$	$V_{DIN}, V_{SCLK}, V_{\overline{CS}} = 2.4V$	-1	0.03	1	$\mu\text{A}$	
		$V_L = +15V, V_{DIN}, V_{SCLK}, V_{\overline{CS}} = 11V$	-1	0.03	1		
DIN, SCLK, $\overline{CS}$ Input Current Logic Low	$I_{INL}$	$V_{DIN}, V_{SCLK}, V_{\overline{CS}} = 0.8V$	-1	0.03	1	$\mu\text{A}$	
		$V_L = +15V, V_{DIN}, V_{SCLK}, V_{\overline{CS}} = 3V$	-1	0.03	1		
DOUT Output Voltage Logic High	$V_{DOUT}$	$I_{DOUT} = 0.8mA$	3.5		$V_L$	V	

# Serial Controlled, 8-Channel SPST Switch

MAX335

## ELECTRICAL CHARACTERISTICS (continued)

( $V_L = +5V \pm 10\%$ ,  $V_+ = 15V$ ,  $V_- = -15V$ ,  $T_A = T_{MIN}$  to  $T_{MAX}$ , unless otherwise noted. Typical values are at  $T_A = +25^\circ C$ .)

PARAMETER	SYMBOL	CONDITIONS		MIN	TYP	MAX	UNITS
<b>DIGITAL I/O</b>							
DOUT Output Voltage Logic Low	$V_{DOUT}$	$I_{DOUT} = -1.6mA$				0.4	V
$V_L$ RESET Voltage	$V_{LL}$	(Note 2)		0.8			V
$V_L$ RESET Voltage	$V_{LH}$		$T_A = +25^\circ C$			2.4	V
SCLK Input Hysteresis	$SCLK_{HYST}$		$T_A = +25^\circ C$		100		mV
<b>SWITCH DYNAMIC CHARACTERISTICS</b>							
Turn-On Time	$t_{ON}$	From rising edge of $\overline{CS}$	$T_A = +25^\circ C$	200	400		ns
					500		
Turn-Off Time	$t_{OFF}$	From rising edge of $\overline{CS}$	$T_A = +25^\circ C$	90	400		ns
					500		
NO Off-Capacitance	$C_{NO(OFF)}$	$V_S = GND$ , $f = 1MHz$	$T_A = +25^\circ C$	2			pF
COM Off-Capacitance	$C_{COM(OFF)}$	$V_D = GND$ , $f = 1MHz$	$T_A = +25^\circ C$	2			pF
Channel On-Capacitance	$C_{COM(ON)}$	$V_D = V_S = GND$ , $f = 1MHz$	$T_A = +25^\circ C$	8			pF
Off Isolation	OIRR	$R_L = 100\Omega$ , $C_L = 15pF$ , $V_S = 1V_{RMS}$ , $f = 100kHz$	$T_A = +25^\circ C$	90			dB
Channel-to-Channel Crosstalk	CCRR	$R_L = 50\Omega$ , $C_L = 15pF$ , $V_S = 1V_{RMS}$ , $f = 100kHz$	$T_A = +25^\circ C$	100			dB
Break-Before-Make Delay	$T_{BBM}$			25	15		ns
Clock Feedthrough at S, D (Note 3)	ESCLK	$D_{LOAD} = S_{LOAD} = 75\Omega$ , measured at S and D	$T_A = +25^\circ C$			100	nV-sec
<b>POWER SUPPLIES</b>							
Power-Supply Voltage Range	$V_+/V_-$			$\pm 4.5$		$\pm 20$	V
$V_L$ Power-Supply Voltage Range	$V_L$			4.5		$V_+$	V
$V_+$ Supply Current	$I_+$	$DIN = \overline{CS} = SCLK = 0V/5V$	$T_A = +25^\circ C$	150	300		$\mu A$
					500		
$V_-$ Supply Current	$I_-$	$DIN = \overline{CS} = SCLK = 0V/5V$	$T_A = +25^\circ C$	0.01	10		$\mu A$
					10		
$V_L$ Supply Current	$I_L$	$DIN = \overline{CS} = SCLK = 0V/5V$	$T_A = +25^\circ C$	50	100		$\mu A$
					200		

**Note 2:** When  $V_L$  falls below this voltage, all switches are set off and the internal shift register is cleared (all zero).

**Note 3:** Guaranteed, not production tested.

# Serial Controlled, 8-Channel SPST Switch

MAX335

## TIMING CHARACTERISTICS OF SERIAL DIGITAL INTERFACE (Figure 1)

( $V_L = +5V \pm 10\%$ ,  $V_+ = +15V$ ,  $V_- = -15V$ ,  $T_A = T_{MIN}$  to  $T_{MAX}$ , unless otherwise noted.)

PARAMETER	SYMBOL	CONDITIONS	MIN	TYP	MAX	UNITS
SCLK Maximum Frequency	f <sub>SCLK</sub>		2.1			MHz
Cycle Time	t <sub>CH</sub> + t <sub>CL</sub>		480			ns
$\overline{CS}$ Lead Time	t <sub>CSS</sub>		240			ns
$\overline{CS}$ Lag Time	t <sub>CSH2</sub>		240			ns
SCLK High Time	t <sub>CH</sub>		190			ns
SCLK Low Time	t <sub>CL</sub>		190			ns
Data-Setup Time	t <sub>DS</sub>		200			ns
Data-Hold Time	t <sub>DH</sub>		0			ns
DOUT Data Valid After Falling SCLK	t <sub>DO</sub>	50% of SCLK to 10% of DOOUT CL = 10pF	T <sub>A</sub> = +25°C		240	ns
					400	
DOUT Data-Hold Time After Rising SCLK (Note 4)		C <sub>L</sub> = 10pF	0			ns
Rise Time of DOOUT (Note 3)		20% V <sub>L</sub> to 70% V <sub>L</sub> , C <sub>L</sub> = 10pF			100	ns
Allowable Rise Time at DIN, SCLK, $\overline{CS}$ (Note 3)		20% V <sub>L</sub> to 70% V <sub>L</sub> , C <sub>L</sub> = 10pF			2	μs
Fall Time of DOOUT (Note 3)		70% V <sub>L</sub> to 20% V <sub>L</sub> , C <sub>L</sub> = 10pF			100	ns
Allowable Fall Time at DIN, SCLK, $\overline{CS}$ (Note 3)		70% V <sub>L</sub> to 20% V <sub>L</sub> , C <sub>L</sub> = 10pF			2	μs

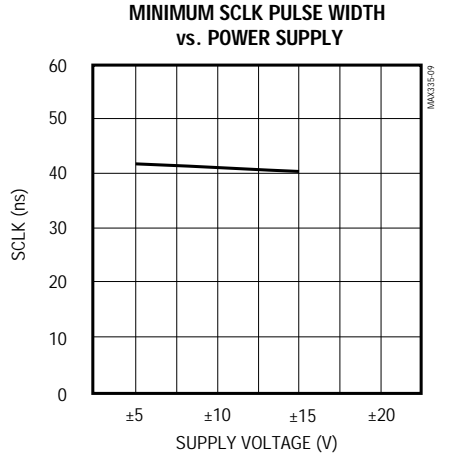
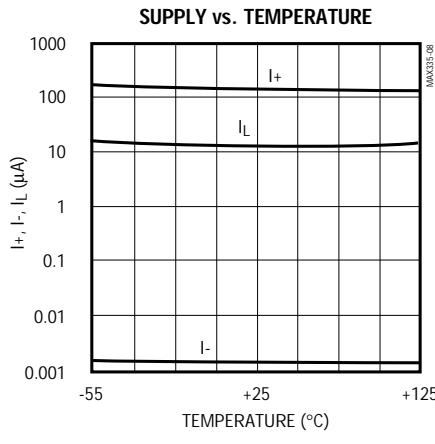
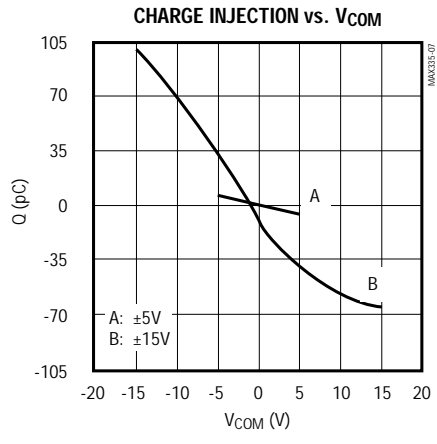
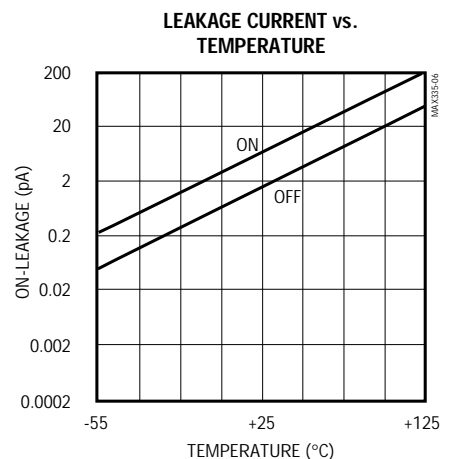
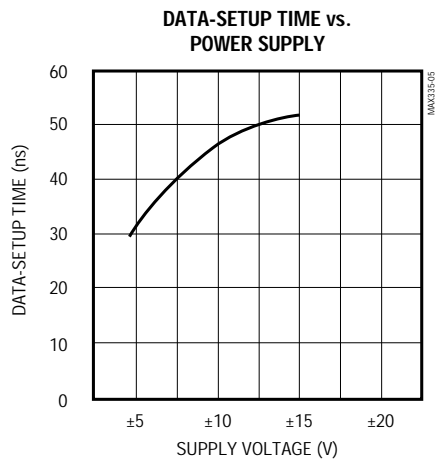
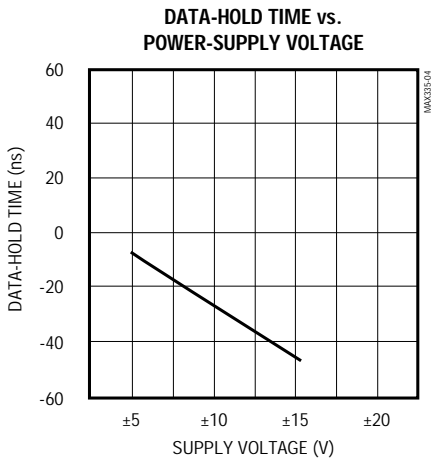
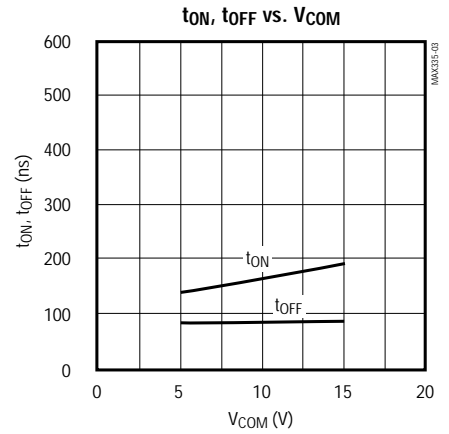
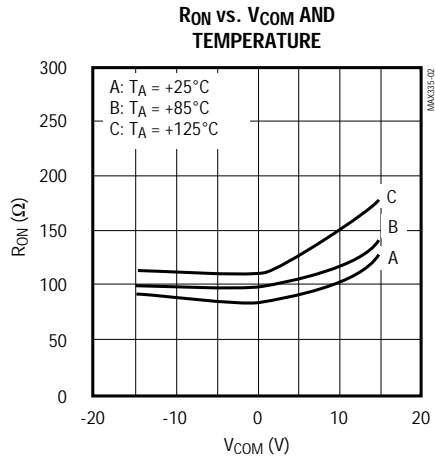
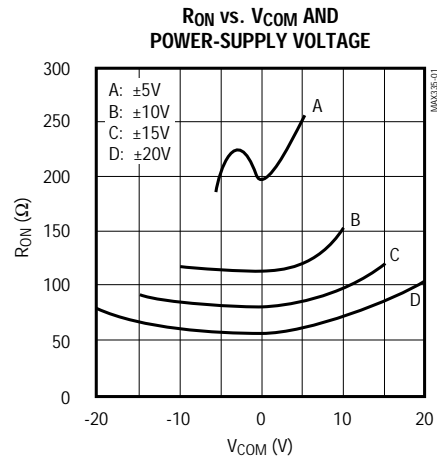
**Note 4:** This specification guarantees that data at DO<sub>UT</sub> never appears before SCLK's falling edge.

# Serial Controlled, 8-Channel SPST Switch

## Typical Operating Characteristics

( $V_+ = +15V$ ,  $V_- = -15V$ ,  $V_L = 5V$ ,  $T_A = +25^\circ C$ , unless otherwise noted.)

MAX3335



# Serial Controlled, 8-Channel SPST Switch

## Pin Description

PIN	NAME	FUNCTION
1	SCLK	Serial Clock Input
2	V+	Positive Supply Voltage
3	DIN	Serial Data Input
4	GND	Ground
5	NO $\emptyset$	Switch 0
6	COM $\emptyset$	Switch 0
7	NO1	Switch 1
8	COM1	Switch 1
9	NO2	Switch 2
10	COM2	Switch 2
11	NO3	Switch 3
12	COM3	Switch 3
13	COM4	Switch 4
14	NO4	Switch 4
15	COM5	Switch 5
16	NO5	Switch 5
17	COM6	Switch 6
18	NO6	Switch 6
19	COM7	Switch 7
20	NO7	Switch 7
21	V-	Negative Supply Voltage
22	DOUT	Serial Data Output
23	V <sub>L</sub>	Logic Supply/Reset
24	$\overline{CS}$	Chip Select

## Detailed Description

### Serial Digital Interface

#### Basic Operation

Refer to Figure 2. The MAX335 interface can be thought of as an 8-bit shift register controlled by  $\overline{CS}$ . While  $\overline{CS}$  is low, input data appearing at DIN is clocked into the shift register synchronous with SCLK's rising edge. The data is an 8-bit word, each bit controlling one of eight switches in the MAX335 (Table 1). DOUT is the output of the shift register, with data appearing synchronous with SCLK's falling edge. Data at DOUT is simply the input data delayed by eight clock cycles.

When shifting the input data, D7 is the first bit in and out of the shift register. While shifting data, the switches remain in their original configuration. When the 8 bits of data have been shifted in,  $\overline{CS}$  is brought high. This

updates the new switch configuration and inhibits further data from entering the shift register. Transitions at DIN and SCLK have no effect when  $\overline{CS}$  is high, and DOUT holds the last bit in the shift register.

The MAX335 three-wire serial interface is compatible with the SPI™ and Microwire™ standards. If interfacing with a Motorola processor serial interface, set CPOL = 0. The MAX335 is considered a slave device (Figures 2 and 3). Upon power-up, the shift register contains all zeros, and all switches are off.

**The latch that drives the analog switch is only updated on the rising edge of  $\overline{CS}$  when SCLK is low. If SCLK is high when  $\overline{CS}$  rises, the latch will not be updated until SCLK goes low. The CPOL = 1, CPHA = 1 SPI configuration does not update the latch correctly.**

#### Daisy Chaining

For a simple interface using several MAX335s, "daisy chain" the shift registers as shown in Figure 5. The  $\overline{CS}$  pins of all devices are connected together, and a stream of data is shifted through the MAX335s in series. When  $\overline{CS}$  is brought high, all switches are updated simultaneously. Additional shift registers may be included anywhere in series with the MAX335 data chain.

#### Addressable Serial Interface

When several serial devices are configured as slaves, addressable by the processor, DIN pins of each MAX335 are connected together (Figure 6). Address decode logic individually controls  $\overline{CS}$  of each slave device. When a slave is selected, its  $\overline{CS}$  is brought low, data is shifted in, and  $\overline{CS}$  is brought high to latch the data. Typically, only one slave is addressed at a time. DOUT is not used.

#### Digital Feedthrough

Digital feedthrough energy measures 100nV-sec, which means that with no filtering at the signal channel, feedthrough from a sharply rising clock edge into an unfiltered switch channel can be measured at 1Vp-p for 100ns. However, even 100pF capacitance in the switch channel, when combined with the switch resistance, yields a filter that reduces this transient to 10mVp-p typical. To reduce digital feedthrough, hysteresis (150mV typ) was added to the SCLK input so triangle or sine waves may be used.

# Serial Controlled, 8-Channel SPST Switch

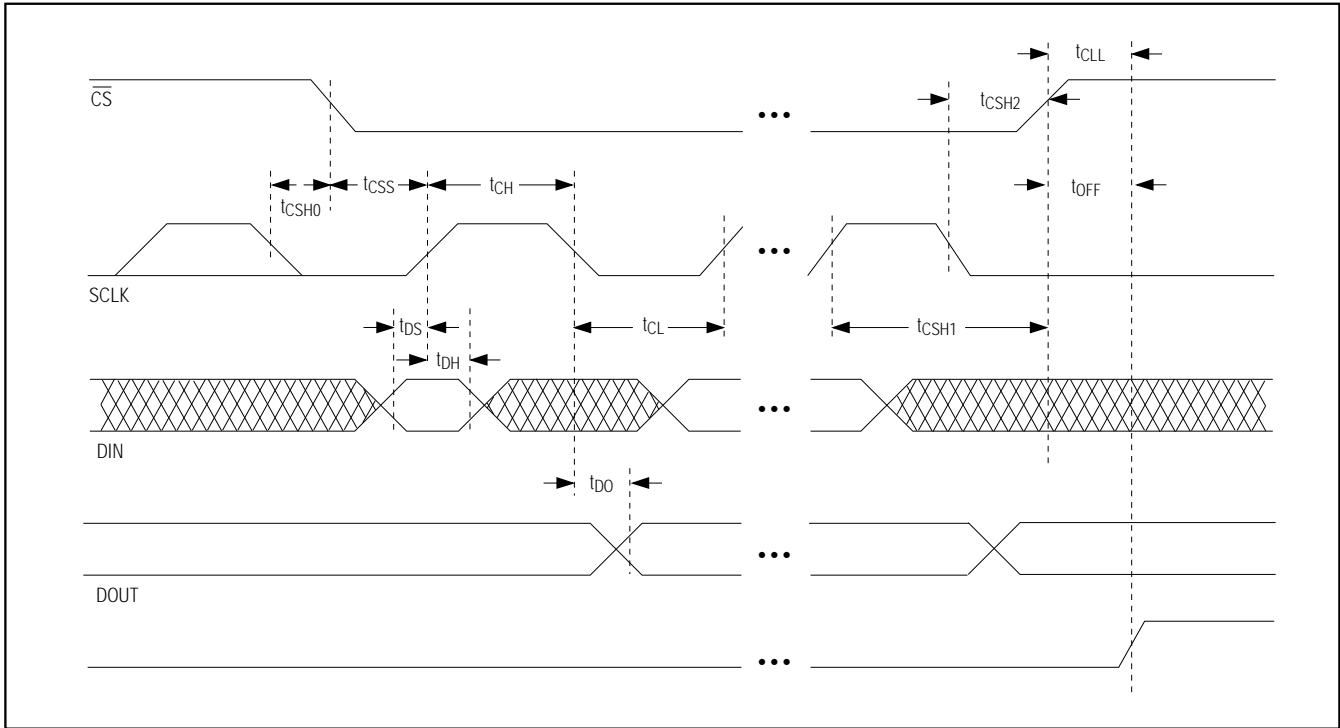


Figure 1. Timing Diagram

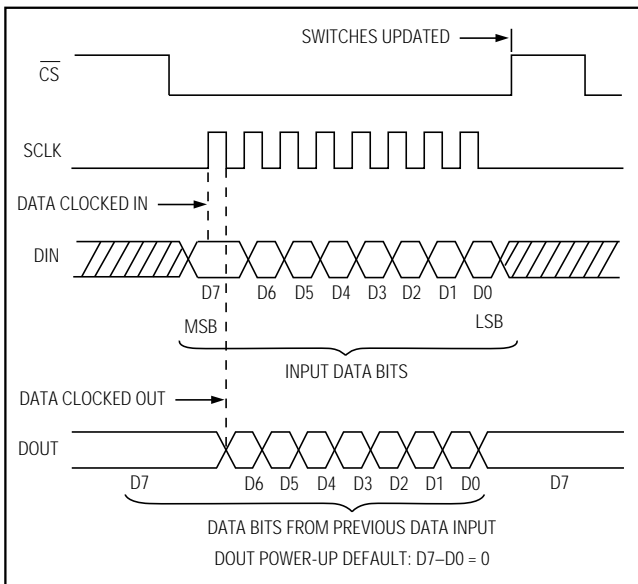


Figure 2. Three-Wire Interface Timing

# Serial Controlled, 8-Channel SPST Switch

MAX335

**Table 1. Serial-Interface Switch Programming**

DATA BITS								FUNCTION
D7	D6	D5	D4	D3	D2	D1	D0	
0	X	X	X	X	X	X	X	Switch 7 open (off)
1	X	X	X	X	X	X	X	Switch 7 closed (on)
X	0	X	X	X	X	X	X	Switch 6 open
X	1	X	X	X	X	X	X	Switch 6 closed
X	X	0	X	X	X	X	X	Switch 5 open
X	X	1	X	X	X	X	X	Switch 5 closed
X	X	X	0	X	X	X	X	Switch 4 open
X	X	X	1	X	X	X	X	Switch 4 closed
X	X	X	X	0	X	X	X	Switch 3 open
X	X	X	X	1	X	X	X	Switch 3 closed
X	X	X	X	X	0	X	X	Switch 2 open
X	X	X	X	X	1	X	X	Switch 2 closed
X	X	X	X	X	X	0	X	Switch 1 open
X	X	X	X	X	X	1	X	Switch 1 closed
X	X	X	X	X	X	X	0	Switch 0 open
X	X	X	X	X	X	X	1	Switch 0 closed

X = Don't care

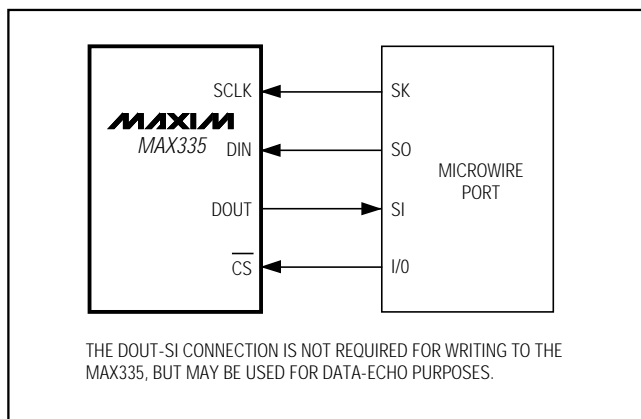


Figure 3. Connections for Microwire

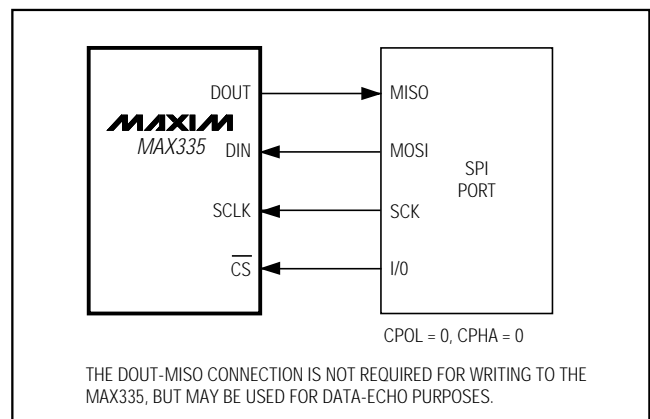


Figure 4. Connections for SPI



# Serial Controlled, 8-Channel SPST Switch

MAX335

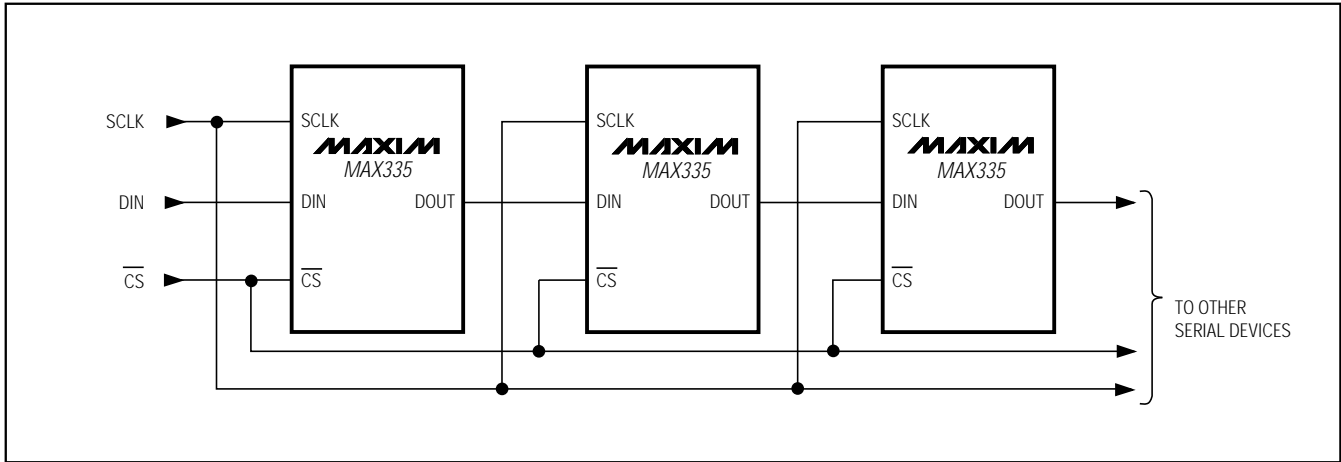


Figure 5. Daisy-Chained Connection

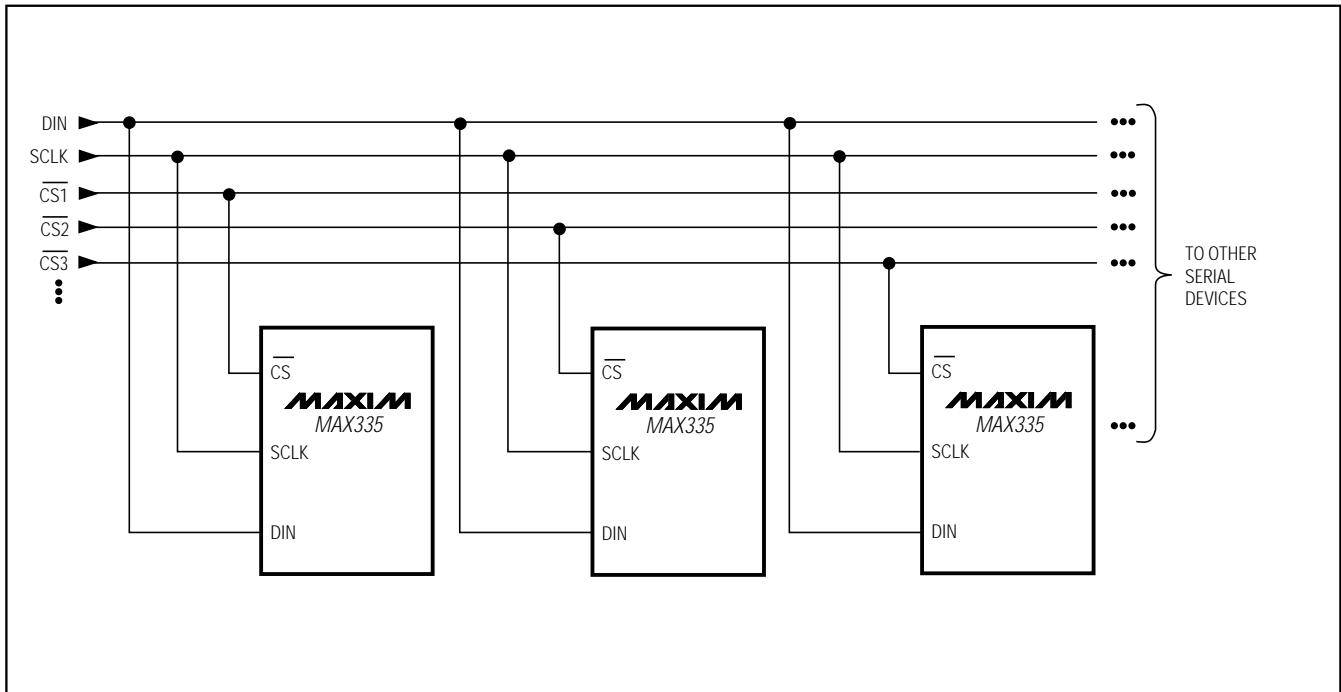


Figure 6. Addressable Serial Interface

# Serial Controlled, 8-Channel SPST Switch

## Applications Information

### 8 x 1 Multiplexer

To use the MAX335 as an 8 x 1 multiplexer, tie all drains together (COM0 to COM7); the mux inputs now source each switch (NO0 to NO7). Input a single 0V to +3V pulse at DIN. As this is clocked through the register by SCLK, each switch will sequence on one at a time.

### 4-2 Differential Multiplexer

To use the MAX335 as a 4-2 differential multiplexer, tie COM0 through COM3 together and COM4 through COM7 together. Differential inputs will be the source inputs as follows: (NO0, NO4), (NO1, NO5), (NO2, NO6), (NO3, NO7). Figure 7 shows the serial input control at DIN required to turn on two switches making a differential multiplexer.

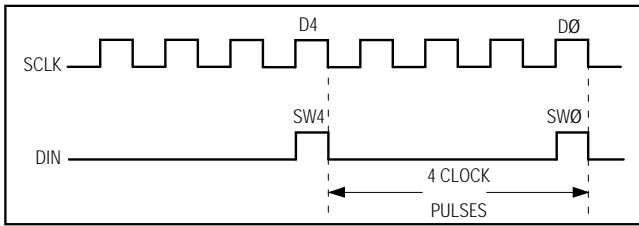


Figure 7. Differential Multiplexer Input Control

$\overline{CS}$  is held low for four clock pulses; the first pulse is clocked into the fifth switch position as the second pulse is clocked into the first switch position.  $\overline{CS}$  is pulled high to update switches; then  $\overline{CS}$  is pulled low, and SCLK advances pulses to S1 and S5 positions, where  $\overline{CS}$  is pulled high to update, etc.

### SPDT Switches

Tie COM0 to NO1 so that NO0 and COM1 are now inputs and COM0/NO1 is the common output. SP is common output. Up to four SPDT switches can be made from each MAX335. Multiples of four or more can be made by daisy chaining devices. In Figure 8, DIN is a pulse train. Again,  $\overline{CS}$  is held low to clock in pulses and  $\overline{CS}$  is pulled high to update;  $\overline{CS}$  is held low to shift pulses, then pulled high to update, etc.

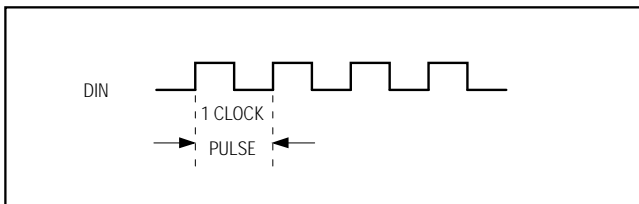


Figure 8. Serial-Input Control for SPDT Switch

### Reset Function

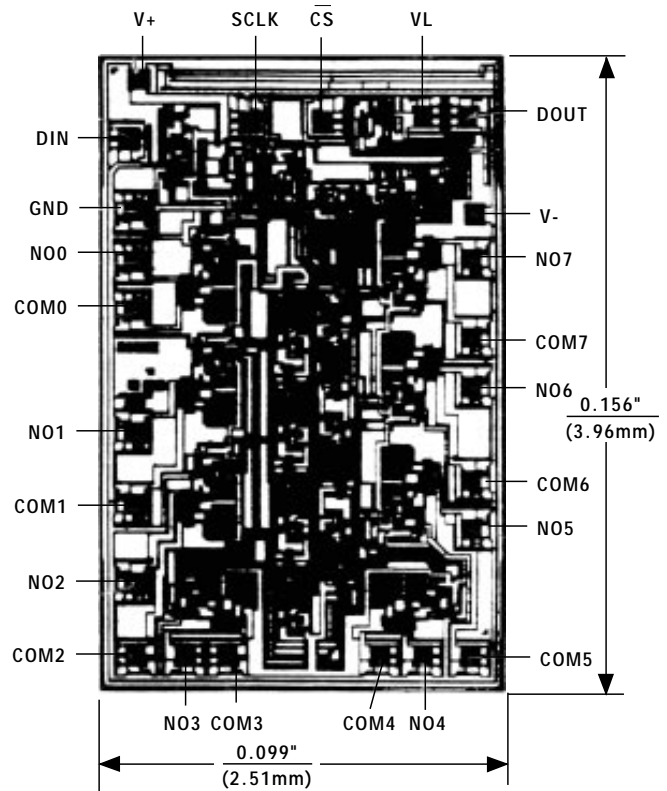
Pulsing  $V_L$  below +0.8V initiates the power-up reset function. The switches are set to the off position, and the serial shift register is reset to all zeros.

### Power-Supply Operation

The MAX335 operates with  $V = \pm 4.5V$  to  $\pm 20V$  and  $V_L = +5V$ . With  $V_-$  tied to ground, the part operates with  $V_+ = +10V$  to  $+30V$ .

The  $V_L$  supply sets TTL input compatibility at a 1.6V switching threshold. As  $V_L$  is raised, the switching threshold is raised, so the part is no longer TTL compatible. The MAX335 also operates with a single power supply:  $V_L = V_+$  and  $V_- = 0V$ . With  $V_L$  tied to  $V_+$ , the  $V_L$  supply cannot be used as a reset function.

## Chip Topography



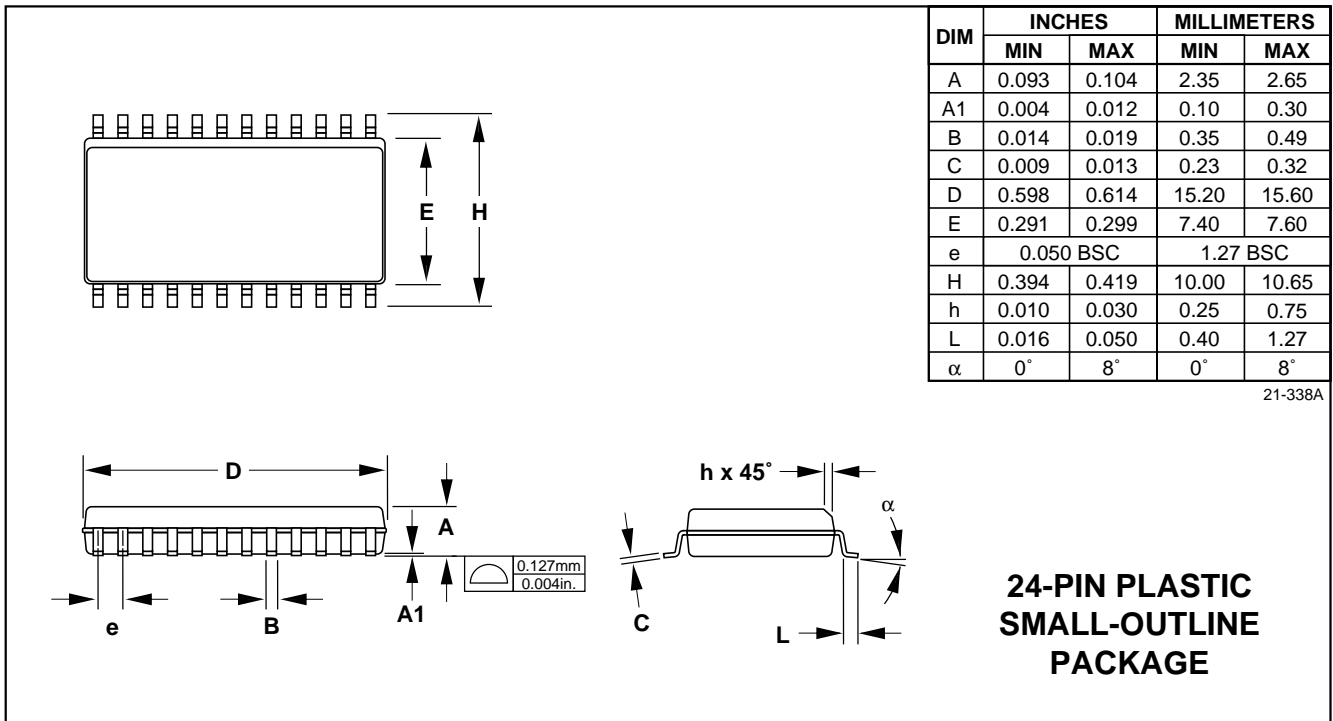
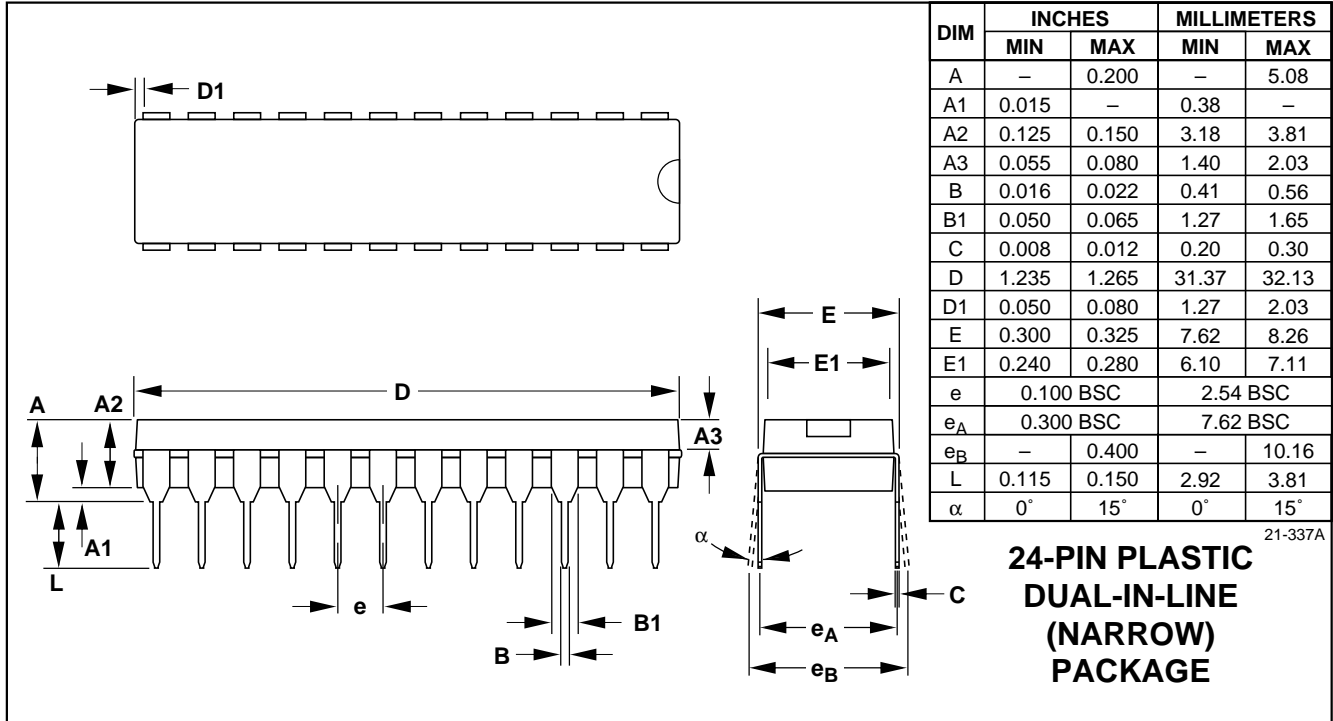
TRANSISTOR COUNT: 387

SUBSTRATE CONNECTED TO  $V_+$ .

# Serial Controlled, 8-Channel SPST Switch

## Package Information

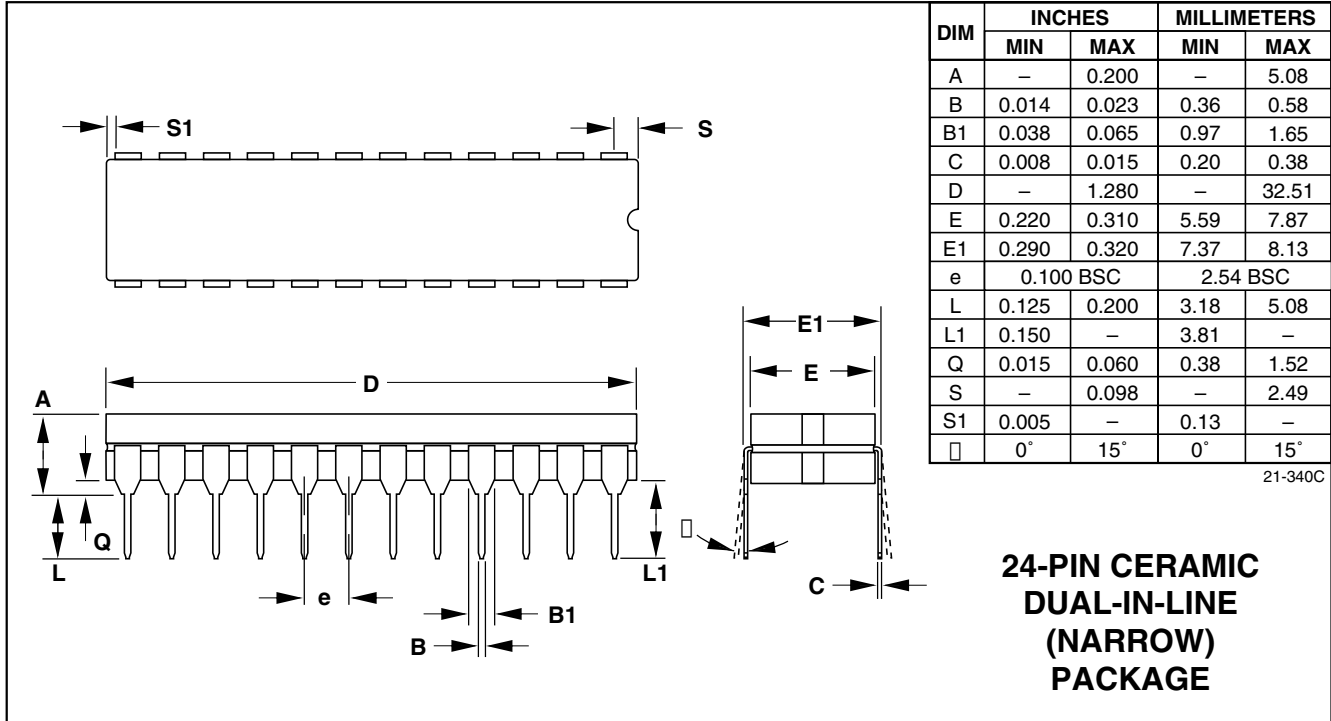
MAX335



# Serial Controlled, 8-Channel SPST Switch

MAX335

## Package Information (continued)



# Serial Controlled, 8-Channel SPST Switch

## Package Information (continued)

SYMBOL	COMMON DIMENSIONS			
	MILLIMETERS		INCHES	
	MIN.	MAX.	MIN.	MAX.
A	—	1.10	—	.043
A <sub>1</sub>	0.05	0.15	.002	.006
A <sub>2</sub>	0.85	0.95	.033	.037
b	0.19	0.30	.007	.012
b <sub>1</sub>	0.19	0.25	.007	.010
c	0.09	0.20	.004	.008
c <sub>1</sub>	0.09	0.14	.004	.006
D	SEE VARIATIONS	SEE VARIATIONS	SEE VARIATIONS	SEE VARIATIONS
E	4.30	4.50	.169	.177
e	0.65 BSC		.026 BSC	
H	6.25	6.55	.246	.258
L	0.50	0.70	.020	.028
N	SEE VARIATIONS	SEE VARIATIONS	SEE VARIATIONS	SEE VARIATIONS
α	0°	8°	0°	8°

JEDEC	N	VARIATIONS				
		MILLIMETERS		INCHES		
MD-153		MIN.	MAX.	MIN.	MAX.	
AB-1	14	D	4.90	5.10	.193	.201
AB	16	D	4.90	5.10	.193	.201
AC	20	D	6.40	6.60	.252	.260
AD	24	D	7.70	7.90	.303	.311
AE	28	D	9.60	9.80	.378	.386

**NOTES:**

- DIMENSIONS D AND E DO NOT INCLUDE FLASH
- MOLD FLASH OR PROTRUSIONS NOT TO EXCEED 0.15mm PER SIDE
- CONTROLLING DIMENSION: MILLIMETER
- MEETS JEDEC OUTLINE MD-153. SEE JEDEC VARIATIONS TABLE
- 'N' REFERS TO NUMBER OF LEADS
- THE LEAD TIPS MUST LIE WITHIN A SPECIFIED ZONE. THIS TOLERANCE ZONE IS DEFINED BY TWO PARALLEL PLANES. ONE PLANE IS THE SEATING PLANE, DATUM [-C-]; THE OTHER PLANE IS AT THE SPECIFIED DISTANCE FROM [-C-] IN THE DIRECTION INDICATED

Maxim cannot assume responsibility for use of any circuitry other than circuitry entirely embodied in a Maxim product. No circuit patent licenses are implied. Maxim reserves the right to change the circuitry and specifications without notice at any time.

13 **Maxim Integrated Products, 120 San Gabriel Drive, Sunnyvale, CA 94086 (408) 737-7600**