



# Hex SPDT Data Switch

MAX4947/MAX4948

## General Description

The MAX4947/MAX4948 analog switches operate from a single +1.8V to +5.5V supply. These switches feature a low 30pF (typ) capacitance for high-speed data switching applications.

The MAX4947 is a triple double-pole/double-throw (DPDT) switch, and the MAX4748 is a hex single-pole/double-throw (SPDT) switch with one control logic input. The MAX4947 has three logic inputs to control the switches in pairs. The MAX4948 has one logic input and an enable input ( $\overline{EN}$ ) to disable the switches.

The MAX4947/MAX4948 are available in small 24-pin (4mm x 4mm) TQFN and 25-bump (2.5mm x 2.5mm) chip-scale packages (UCSP™).

## Applications

- USB Signal Switching      Cell Phones
- UART Signal Switching    PDAs
- SDIO/Memory Stick

UCSP is a trademark of Maxim Integrated Products, Inc.

## Features

- ◆ Multiplex SDIO or Memory Stick Interfaces
- ◆ 1.8V to 5.5V Supply Voltage Range
- ◆ Low On-Resistance 4Ω (typ)
- ◆ Low-Capacitance Switches, 30pF (typ)
- ◆ Rail-to-Rail Signal Handling
- ◆ Small 25-Bump UCSP™ (2.5mm x 2.5mm) and 24-TQFN (4mm x 4mm)

## Ordering Information

PART	TEMP RANGE	PIN-PACKAGE	PKG CODE
MAX4947EBA+*	-40°C to +85°C	25 UCSP-25	B25-1
MAX4947ETG+	-40°C to +85°C	24 TQFN-EP	T2444-4
MAX4948EBA+*	-40°C to +85°C	25 UCSP-25	B25-1
MAX4948ETG+	-40°C to +85°C	24 TQFN-EP	T2444-4

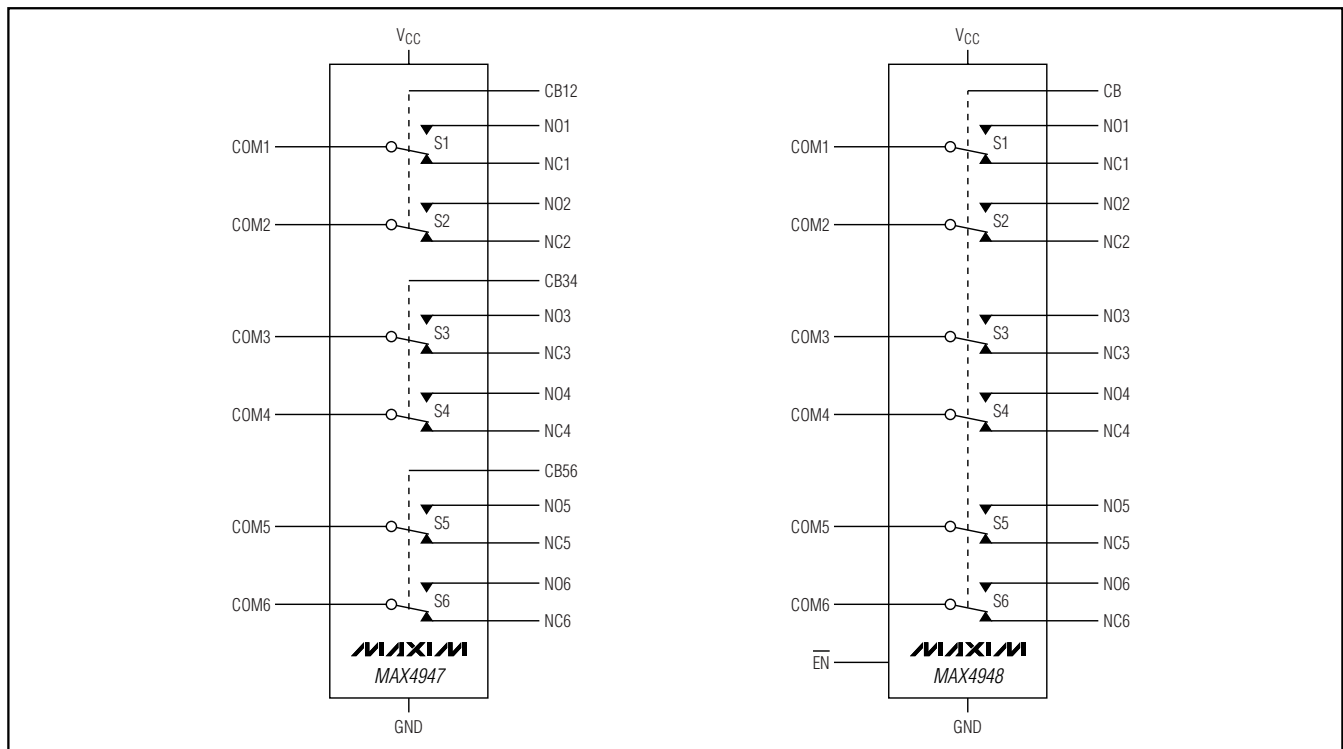
\* Future product—contact factory for availability.

+ Denotes lead-free package.

EP = Exposed paddle.

Typical Operating Circuit appears at end of data sheet.

## Functional Diagram



**For pricing, delivery, and ordering information, please contact Maxim/Dallas Direct! at 1-888-629-4642, or visit Maxim's website at [www.maxim-ic.com](http://www.maxim-ic.com).**

# Hex SPDT Data Switch

## ABSOLUTE MAXIMUM RATINGS

V <sub>CC</sub> to GND .....	-0.3V to +6.0V
All other pins to GND (Note 1) .....	-0.3V to V <sub>CC</sub> + 0.3V
Continuous Current	
NO <sub>-</sub> , NC <sub>-</sub> , COM <sub>-</sub> .....	±100mA
Peak Current NO <sub>-</sub> , NC <sub>-</sub> , COM <sub>-</sub>	
(pulsed at 1ms, 50% Duty Cycle) .....	±200mA
(pulsed at 1ms, 10% Duty Cycle) .....	±300mA
Continuous Power Dissipation (T <sub>A</sub> = +70°C)	
25-Bump UCSP (derate 12.2mW/°C above +70°C) .....	976mW
24-Pin TQFN (derate 20.8mW/°C above +70°C) .....	1667mW

Operating Temperature Range .....	-40°C to +85°C
Junction Temperature .....	150°C
Storage Temperature Range .....	-65°C to +150°C
Bump Temperature (soldering)	
Infrared (15s) .....	+220°C
Vapor Phase (60s) .....	+215°C
Lead Temperature (soldering) .....	+300°C

**Note 1:** Signals on CB<sub>-</sub>, NO<sub>-</sub>, NC<sub>-</sub>, COM<sub>-</sub>,  $\overline{\text{EN}}$  exceeding V<sub>CC</sub> or GND are clamped by internal diodes. Limit forward-diode current to maximum current rating.

Stresses beyond those listed under "Absolute Maximum Ratings" may cause permanent damage to the device. These are stress ratings only, and functional operation of the device at these or any other conditions beyond those indicated in the operational sections of the specifications is not implied. Exposure to absolute maximum rating conditions for extended periods may affect device reliability.

## ELECTRICAL CHARACTERISTICS

(V<sub>CC</sub> = +2.7V to +5.5V, T<sub>A</sub> = -40°C to +85°C, unless otherwise noted. Typical values are at V<sub>CC</sub> = +3V, T<sub>A</sub> = +25°C.) (Notes 2, 3)

PARAMETER	SYMBOL	CONDITIONS	T <sub>A</sub>	MIN	TYP	MAX	UNITS
<b>POWER SUPPLY</b>							
Power-Supply Range	V <sub>CC</sub>		T <sub>MIN</sub> to T <sub>MAX</sub>	1.8		5.5	V
Power-Supply Current	I <sub>CC</sub>	V <sub>CC</sub> = 5.5V, V <sub>CB-</sub> = 0V or V <sub>CC</sub>	T <sub>MIN</sub> to T <sub>MAX</sub>			1.0	μA
		V <sub>CC</sub> = 2.7V, V <sub>CB-</sub> = 1.6V or 0.5V			5		
		V <sub>CC</sub> = 5.5V, V <sub>CB-</sub> = 1.6V or 0.5V			10		
<b>ANALOG SWITCH</b>							
Analog Signal Range	V <sub>NO-</sub> , V <sub>NC-</sub> , V <sub>COM-</sub>		T <sub>MIN</sub> to T <sub>MAX</sub>	0		V <sub>CC</sub>	V
On-Resistance (Note 4)	R <sub>ON</sub>	V <sub>CC</sub> = 2.7V, I <sub>COM-</sub> = 10mA; V <sub>NC-</sub> or V <sub>NO-</sub> = 0 or V <sub>CC</sub>	+25°C	4.0		5.5	Ω
			T <sub>MIN</sub> to T <sub>MAX</sub>			6.5	
On-Resistance Match Between Channels (Notes 4, 5)	ΔR <sub>ON</sub>	V <sub>CC</sub> = 2.7V, I <sub>COM-</sub> = 10mA; V <sub>NO-</sub> or V <sub>NC-</sub> = 0 or V <sub>CC</sub>	+25°C	0.3		0.5	Ω
			T <sub>MIN</sub> to T <sub>MAX</sub>			0.6	
On-Resistance Flatness (Notes 4, 6)	R <sub>FLAT</sub>	V <sub>CC</sub> = 2.7V, I <sub>COM-</sub> = 10mA; V <sub>NC-</sub> or V <sub>NO-</sub> = 0 or V <sub>CC</sub>	+25°C	0.5		1	Ω
			T <sub>MIN</sub> to T <sub>MAX</sub>			1.2	
NO <sub>-</sub> or NC <sub>-</sub> Off-Leakage Current	I <sub>NO-(OFF)</sub> or I <sub>NC-(OFF)</sub>	V <sub>CC</sub> = 3.6V; V <sub>COM-</sub> = 3.6V, 0; V <sub>NO-</sub> or V <sub>NC-</sub> = 0, 3.6V	+25°C	-3		+3	nA
			T <sub>MIN</sub> to T <sub>MAX</sub>			+10	
COM <sub>-</sub> On-Leakage Current	I <sub>NO-(ON)</sub>	V <sub>CC</sub> = 3.6V; V <sub>COM-</sub> = 3.6V, 0; V <sub>NO-</sub> or V <sub>NC-</sub> = 3.6V, 0 or unconnected	+25°C	-6		+6	nA
			T <sub>MIN</sub> to T <sub>MAX</sub>			+10	

# Hex SPDT Data Switch

MAX4947/MAX4948

## ELECTRICAL CHARACTERISTICS (continued)

( $V_{CC} = +2.7V$  to  $+5.5V$ ,  $T_A = -40^{\circ}C$  to  $+85^{\circ}C$ , unless otherwise noted. Typical values are at  $V_{CC} = +3V$ ,  $T_A = +25^{\circ}C$ .) (Notes 2, 3)

PARAMETER	SYMBOL	CONDITIONS	$T_A$	MIN	TYP	MAX	UNITS
COM_ Off-Leakage Current	$I_{COM(OFF)}$	$V_{CC} = 3.6V$ (MAX4948); $V_{COM\_} = 3.3V, 0.3V$ ; $V_{NO\_}$ or $V_{NC\_} = 0, 3V, 3.3V$	$+25^{\circ}C$	-6		+6	nA
			$T_{MIN}$ to $T_{MAX}$	-10		+10	
<b>DYNAMIC</b>							
Turn-On Time	$t_{ON}$	$V_{CC} = 2.7V$ ; $V_{NO\_}$ or $V_{NC\_} = 1.5V$ ; $R_L = 50\Omega$ ; $C_L = 35pF$ , Figure 1	$+25^{\circ}C$		400	800	ns
			$T_{MIN}$ to $T_{MAX}$			800	
Turn-Off Time	$t_{OFF}$	$V_{CC} = 2.7V$ ; $V_{NO\_}$ or $V_{NC\_} = 1.5V$ ; $R_L = 50\Omega$ ; $C_L = 35pF$ , Figure 1	$+25^{\circ}C$		300	800	ns
			$T_{MIN}$ to $T_{MAX}$			800	
Break-Before-Make	$t_{BBM}$	$V_{CC} = 2.7V$ ; $V_{NO\_}$ or $V_{NC\_} = 1.5V$ ; $R_L = 50\Omega$ ; $C_L = 35pF$ , Figure 2 (Note 7)	$+25^{\circ}C$		100		ns
			$T_{MIN}$ to $T_{MAX}$		2		
<b>HIGH-SPEED TIMING CHARACTERISTICS (rising time = 20ns)</b>							
Skew	$t_{SKEW}$	$V_{CC} = 2.7V$ ; $R_S = 39\Omega$ ; $C_L = 50pF$ , Figure 3	$T_{MIN}$ to $T_{MAX}$		0.2		ns
Charge Injection	Q	$V_{GEN} = 0$ , $R_{GEN} = 0$ , $C_L = 1nF$ , Figure 4	$+25^{\circ}C$		10		pC
-3dB Bandwidth	BW	Signal = 0dBm, $C_L = 5pF$ , $R_L = 50\Omega$ , Figure 5	$+25^{\circ}C$		300		MHz
Off-Isolation	$V_{ISO}$	$C_L = 5pF$ ; $R_L = 50\Omega$ ; $V_{COM\_} = 1V_{P-P}$ , $f = 1MHz$ , Figure 5 (Note 8)	$+25^{\circ}C$		-70		dB
Crosstalk	$V_{CT}$	$C_L = 5pF$ ; $R_L = 50\Omega$ ; $f = 1MHz$ , $V_{COM\_} = 1V_{P-P}$ , Figure 5 (Note 9)	$+25^{\circ}C$		-90		dB
NC_ or NO_ Off-Capacitance	$C_{NC(OFF)}$ $C_{NO(OFF)}$	$NC\_ = NO\_ = 0V$ , $f = 1MHz$ Figure 6	$+25^{\circ}C$		15		pF
COM_ Off-Capacitance	$C_{COM(OFF)}$	$V_{COM} = GND$ , $f = 1MHz$ (MAX4948), Figure 6	$+25^{\circ}C$		25		pF
COM_ On-Capacitance	$C_{COM(ON)}$	$COM\_ = 0V$ , $f = 1MHz$ , Figure 6	$+25^{\circ}C$		30		pF
<b>DIGITAL I/O (<math>\overline{EN}</math>, <math>CB\_</math>)</b>							
Input-Logic High	$V_{IH}$		$T_{MIN}$ to $T_{MAX}$	1.6			V
Input-Logic Low	$V_{IL}$		$T_{MIN}$ to $T_{MAX}$			0.5	V
Input Leakage Current	$I_{CB}$	$V_{CB\_} = 0$ or $V_{CC}$	$T_{MIN}$ to $T_{MAX}$			1	$\mu A$

# Hex SPDT Data Switch

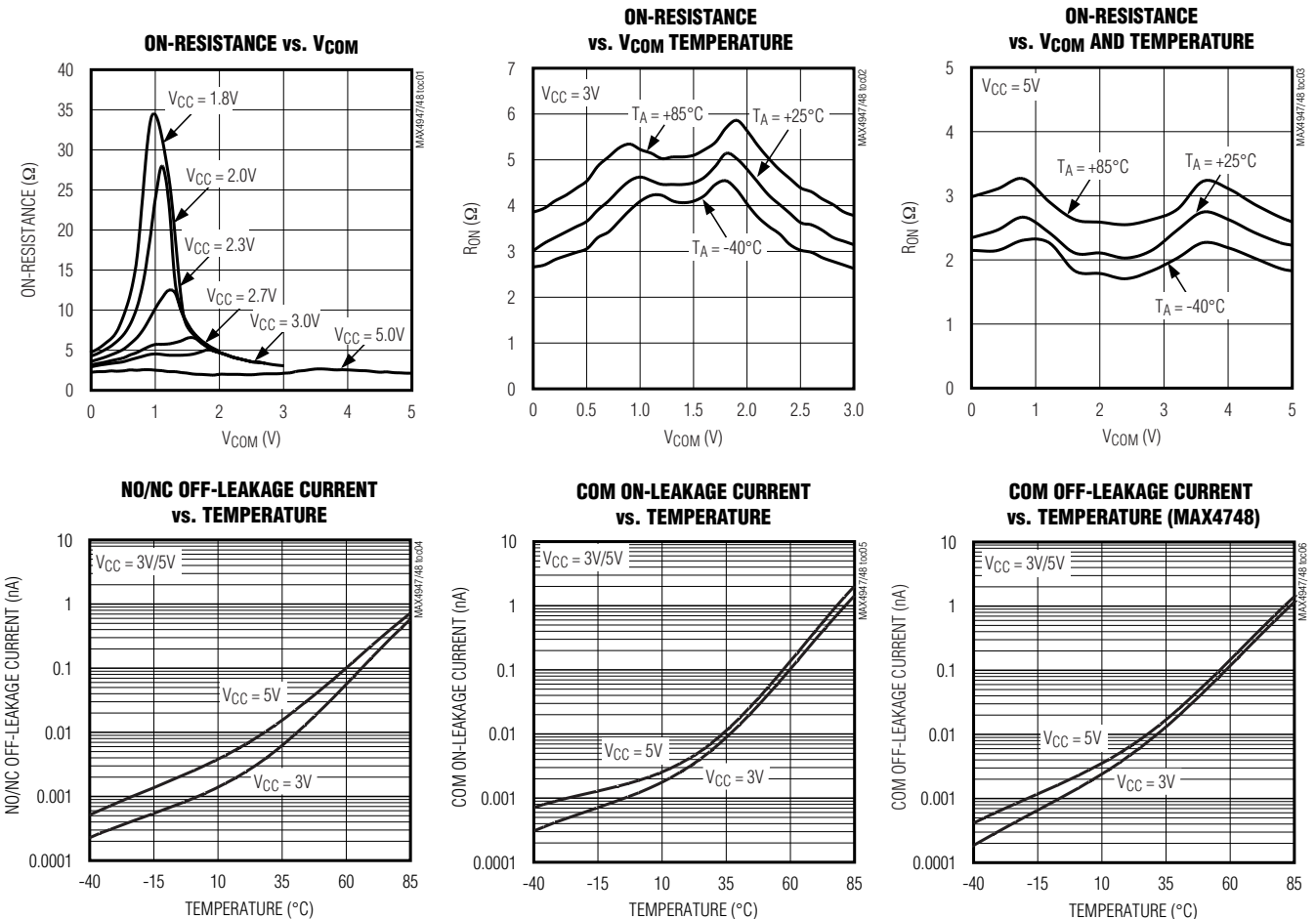
## ELECTRICAL CHARACTERISTICS (continued)

( $V_{CC} = +2.7V$  to  $+5.5V$ ,  $T_A = -40^{\circ}C$  to  $+85^{\circ}C$ , unless otherwise noted. Typical values are at  $V_{CC} = +3V$ ,  $T_A = +25^{\circ}C$ .) (Notes 2, 3)

- Note 2:** The algebraic convention is used. The most negative value is shown in the minimum column.
- Note 3:** UCSP parts are 100% tested at  $T_A = +25^{\circ}C$ . Limits across the full temperature range are guaranteed by correlation and design. TQFN parts are guaranteed by correlation and design at  $-40^{\circ}C$ .
- Note 4:**  $R_{ON}$  and  $\Delta R_{ON}$  matching specifications are guaranteed by design.
- Note 5:**  $\Delta R_{ON} = R_{ON(MAX)} - R_{ON(MIN)}$ .
- Note 6:** Flatness is defined as the difference between the maximum and minimum value of on-resistance as measured over the specified analog signal ranges.
- Note 7:** Guaranteed by design, not production tested.
- Note 8:** Off-Isolation =  $20\log_{10} [V_{COM\_} / (V_{NO\_} \text{ or } V_{NC\_})]$ ,  $V_{COM\_}$  = output,  $V_{NO\_}$  or  $V_{NC\_}$  = input to off switch.
- Note 9:** Between any two switches.

## Typical Operating Characteristics

( $V_{CC} = 3V$ ,  $T_A = +25^{\circ}C$ , unless otherwise noted.)

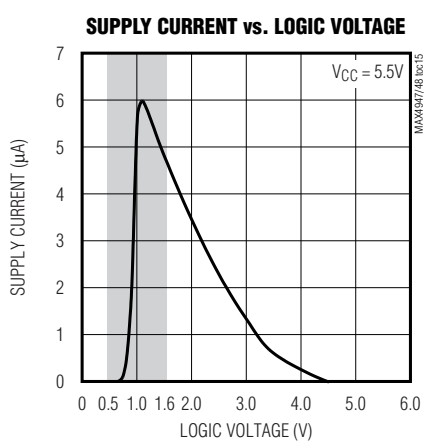
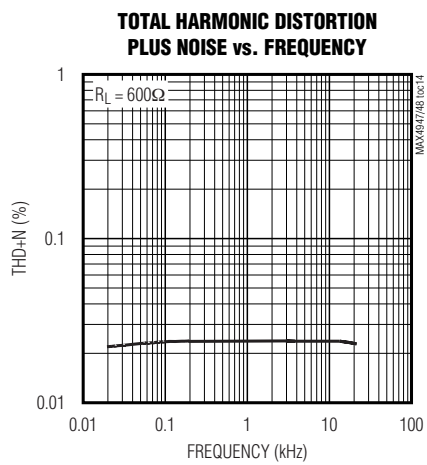
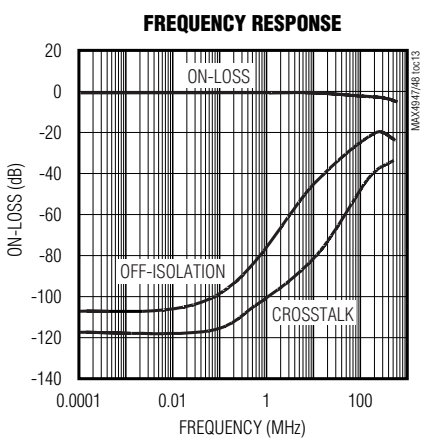
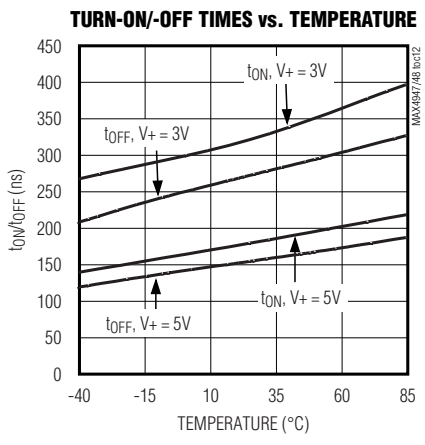
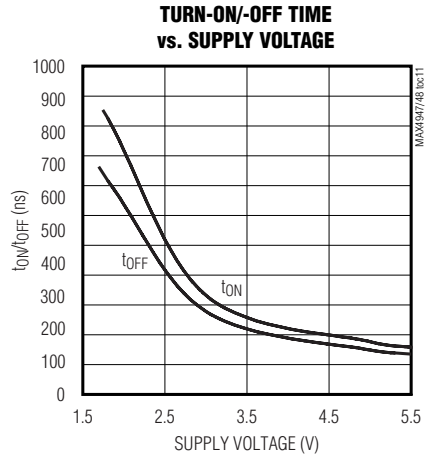
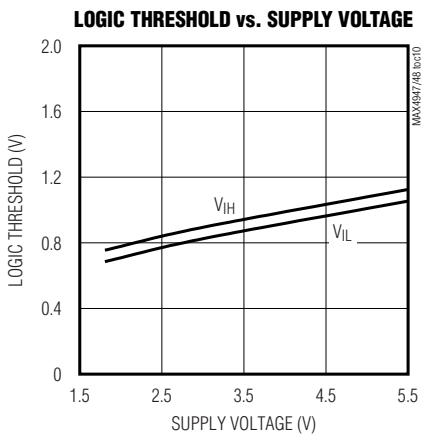
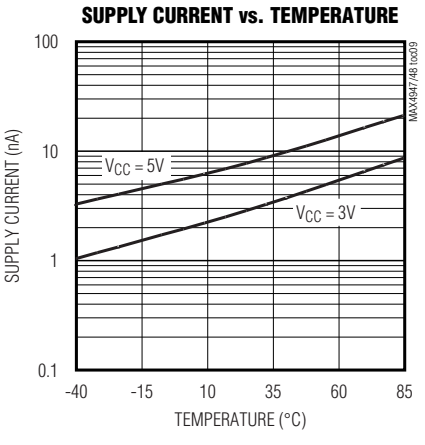
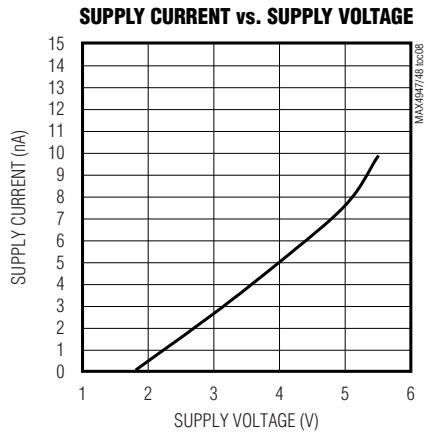
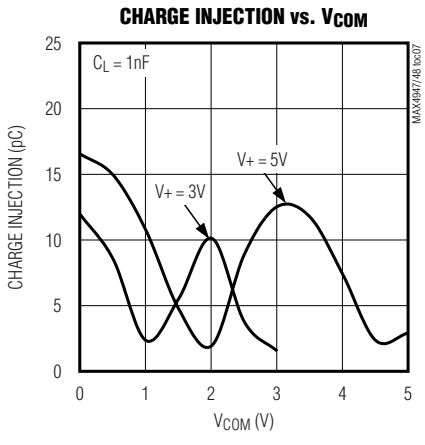


# Hex SPDT Data Switch

## Operating Characteristics (continued)

( $V_{CC} = +3V$ ,  $T_A = +25^\circ C$ , unless otherwise noted.)

MAX4947/MAX4948



# Hex SPDT Data Switch

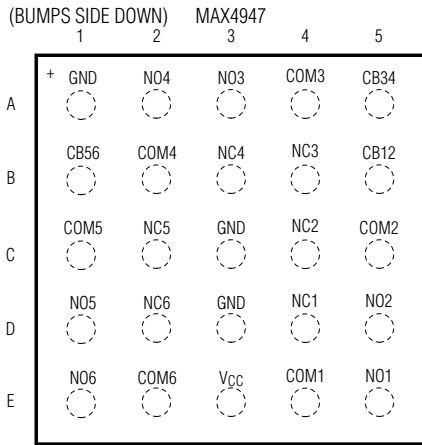
## Pin Description

PIN				NAME	FUNCTION
MAX4947		MAX4948			
TQFN	UCSP	TQFN	UCSP		
1	D2	1	D2	NC6	Analog Switch 6. Normally Closed Terminal 6.
2	D1	2	D1	NO5	Analog Switch 5. Normally Open Terminal 5.
3	C1	3	C1	COM5	Analog Switch 5. Common Terminal 5.
4	C2	4	C2	NC5	Analog Switch 5. Normally Closed Terminal 5.
5	B1	—	—	CB56	Digital Control Input for Analog Switches 5 and 6
6, 21	A1, C3, D3	6, 21	A1, C3, D3	GND	Ground
7	B2	7	B2	COM4	Analog Switch 4. Common Terminal 4.
8	A2	8	A2	NO4	Analog Switch 4. Normally Open Terminal 4.
9	B3	9	B3	NC4	Analog Switch 4. Normally Closed Terminal 4.
10	A3	10	A3	NO3	Analog Switch 3. Normally Open Terminal 3.
11	A4	11	A4	COM3	Analog Switch 3. Common Terminal 3.
12	B4	12	B4	NC3	Analog Switch 3. Normally Closed Terminal 3.
13	A5	—	—	CB34	Digital Control Input for Analog Switches 3 and 4
14	B5	—	—	CB12	Digital Control Input for Analog Switches 1 and 2
15	C4	15	C4	NC2	Analog Switch 2. Normally Closed Terminal 2.
16	C5	16	C5	COM2	Analog Switch 2. Common Terminal 2.
17	D5	17	D5	NO2	Analog Switch 2. Normally Open Terminal 2.
18	D4	18	D4	NC1	Analog Switch 1. Normally Closed Terminal 1.
19	E5	19	E5	NO1	Analog Switch 1. Normally Open Terminal 1.
20	E4	20	E4	COM1	Analog Switch 1. Common Terminal 2.
22	E3	22	E3	VCC	Positive Supply Voltage
23	E2	23	E2	COM6	Analog Switch 6. Common Terminal 6.
24	E1	24	E1	NO6	Analog Switch 6. Normally Open Terminal 6.
—	—	5	B1	$\overline{EN}$	Enable-Logic In. Drive $\overline{EN}$ high to set all switches into high-impedance mode.
—	—	13	A5	N.C.	No Connection. Leave N.C. unconnected.
—	—	14	B5	CB	Digital Control Input for Analog Switches 1–6. Drive CB low to connect COM_ to NC_ for all six switches. Drive CB high to connect COM_ to NO_ for all six switches. CB is valid only when $\overline{EN}$ is driven low. If $\overline{EN}$ is driven high then all switches are high impedance.
EP	—	EP	—	EP	Exposed Pad. Connect exposed pad to ground.

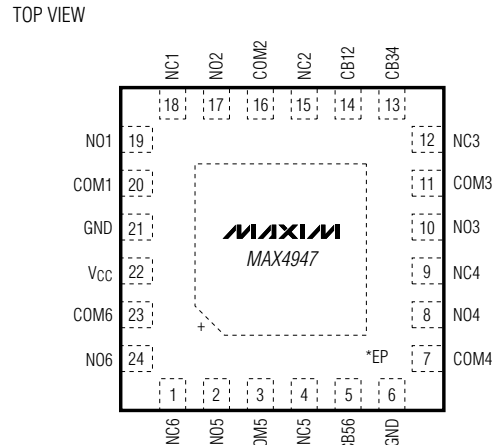
# Hex SPDT Data Switch

## Pin Configurations/Truth Tables

MAX4947/MAX4948

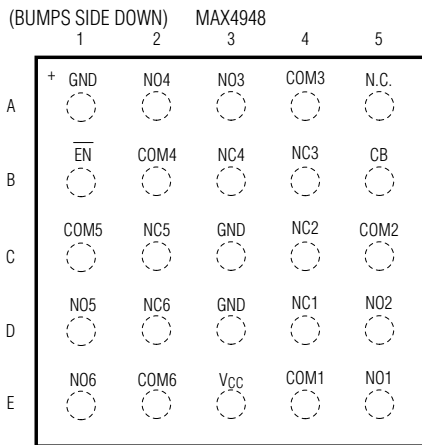


UCSP 2.5mm x 2.5mm

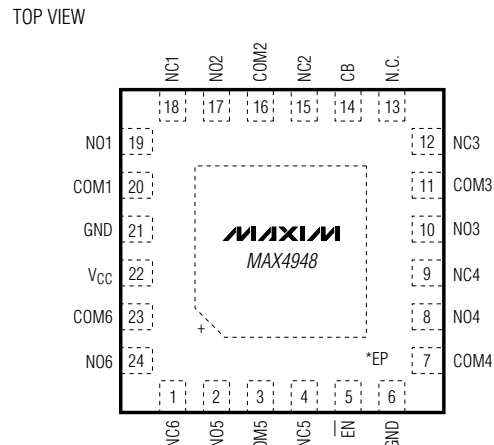


TQFN 4mm x 4mm

\*EXPOSED PADDLE CONNECT TO GROUND



UCSP 2.5mm x 2.5mm



TQFN 4mm x 4mm

\*EXPOSED PADDLE-CONNECT TO GROUND

MAX4947		
CB12	NO1/NO2	NC1/INC2
0	OFF	ON
1	ON	OFF
CB34	NO3/NO4	NC3/NC4
0	OFF	ON
1	ON	OFF
CB56	NO5/NO6	NC5/NC6
0	OFF	ON
1	ON	OFF

MAX4948			
$\overline{\text{EN}}$	CB	NO <sub>-</sub>	NC <sub>-</sub>
LOW	LOW	OFF	ON
LOW	HIGH	ON	OFF
HIGH	X	OFF	OFF

# Hex SPDT Data Switch

## Detailed Description

The MAX4947 triple DPDT and the MAX4948 hex SPDT analog switches operate from a single +1.8V to +5.5V supply. These devices are fully specified for +3V applications.

The MAX4947/MAX4948 have a guaranteed 4Ω (typ) on-resistance and a low 30pF (typ) capacitance that makes the switch ideal for data switching applications. The MAX4947 has three logic inputs to control two switches in pairs and the MAX4948 has one logic control input and an enable input ( $\overline{EN}$ ) to disable the switches.

## Applications Information

### Digital Control Inputs

The MAX4947/MAX4948 provide a digital control logic input, CB\_. CB\_ controls the position of the switches as shown in the *Pin Configurations/Truth Tables*. Driving CB\_ rail-to-rail minimizes power consumption.

The MAX4948 features an  $\overline{EN}$  input to turn all switches on or off. When  $\overline{EN}$  is driven high, CB is disabled, and the analog inputs enter a high-impedance state. Drive  $\overline{EN}$  low to turn the switches on and enable CB.

### Analog Signal Levels

The on-resistance of the MAX4947/MAX4948 is very low and stable as the analog input signals are swept from ground to VCC (see the *Typical Operating Characteristics*). These switches are bidirectional, allowing NO\_, NC\_, and COM\_ to be configured as either inputs or outputs.

### Power-Supply Biasing

Power-supply bypassing improves noise margin and prevents switching noise to propagate from VCC supply to other components. A 0.1μF capacitor connected from V+ to GND is adequate for most applications.

### Power-Supply Sequencing

CMOS devices require proper power-supply sequencing. Always apply VCC before the analog signals, especially if the input signal is not current limited.

## UCSP Applications Information

For the latest application details on UCSP construction, dimensions, tape carrier information, printed circuit board techniques, bump-pad layout, and recommended reflow temperature profile, as well as the latest information on reliability testing results, go to the Maxim website at [www.maxim-ic.com/ucsp](http://www.maxim-ic.com/ucsp) for the Application Note: *UCSP-A Wafer-Level Chip-Scale Package*.

## Timing Circuits/Timing Diagrams

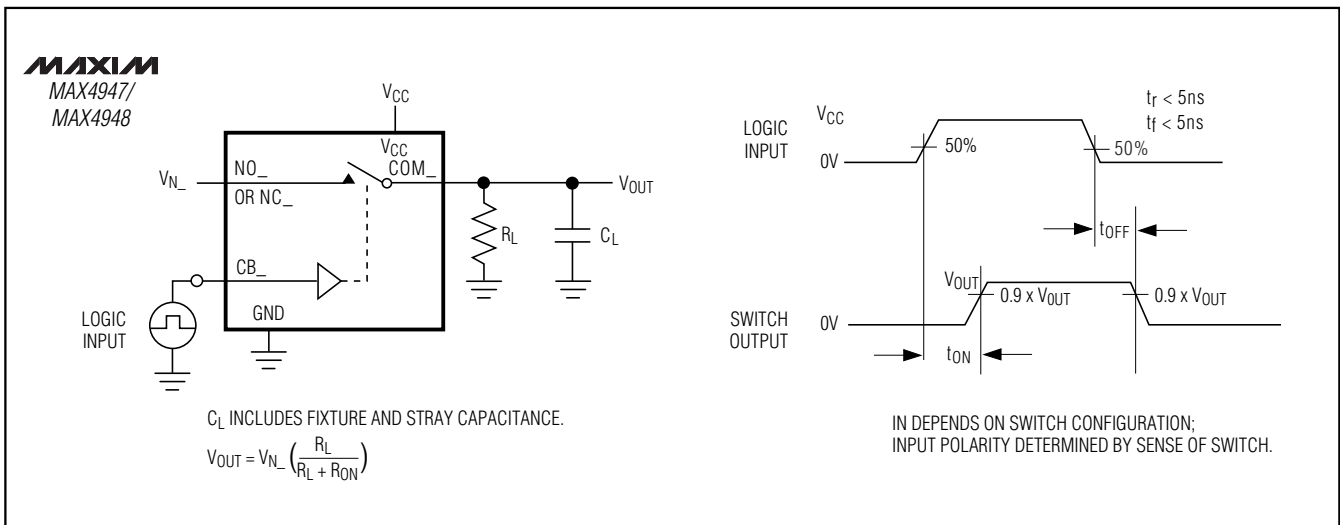


Figure 1. Switching Time



# Hex SPDT Data Switch

MAX4947/MAX4948

## Timing Circuits/Timing Diagrams (continued)

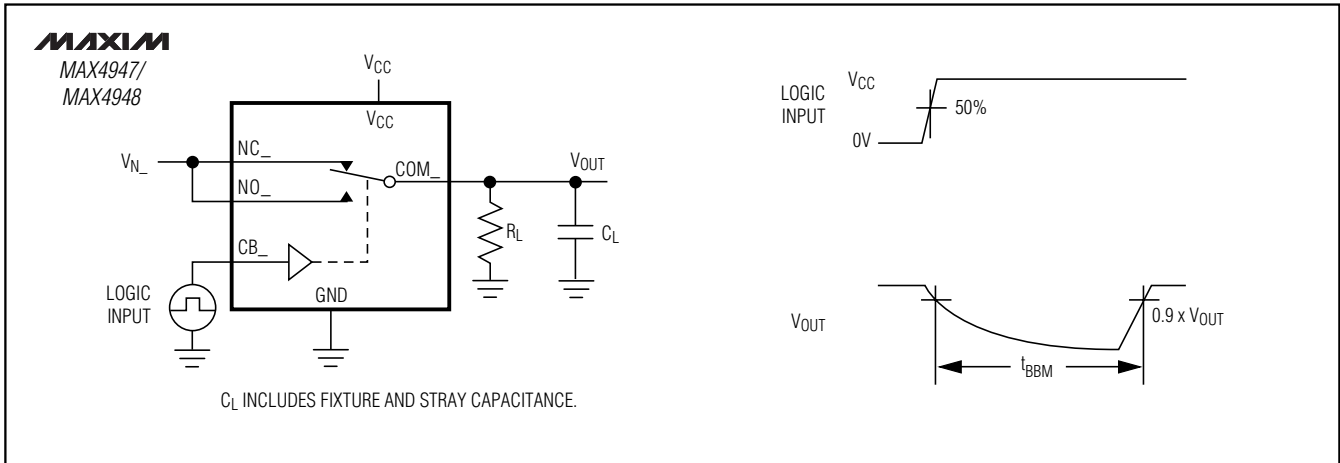


Figure 2. Break-Before-Make-Interval

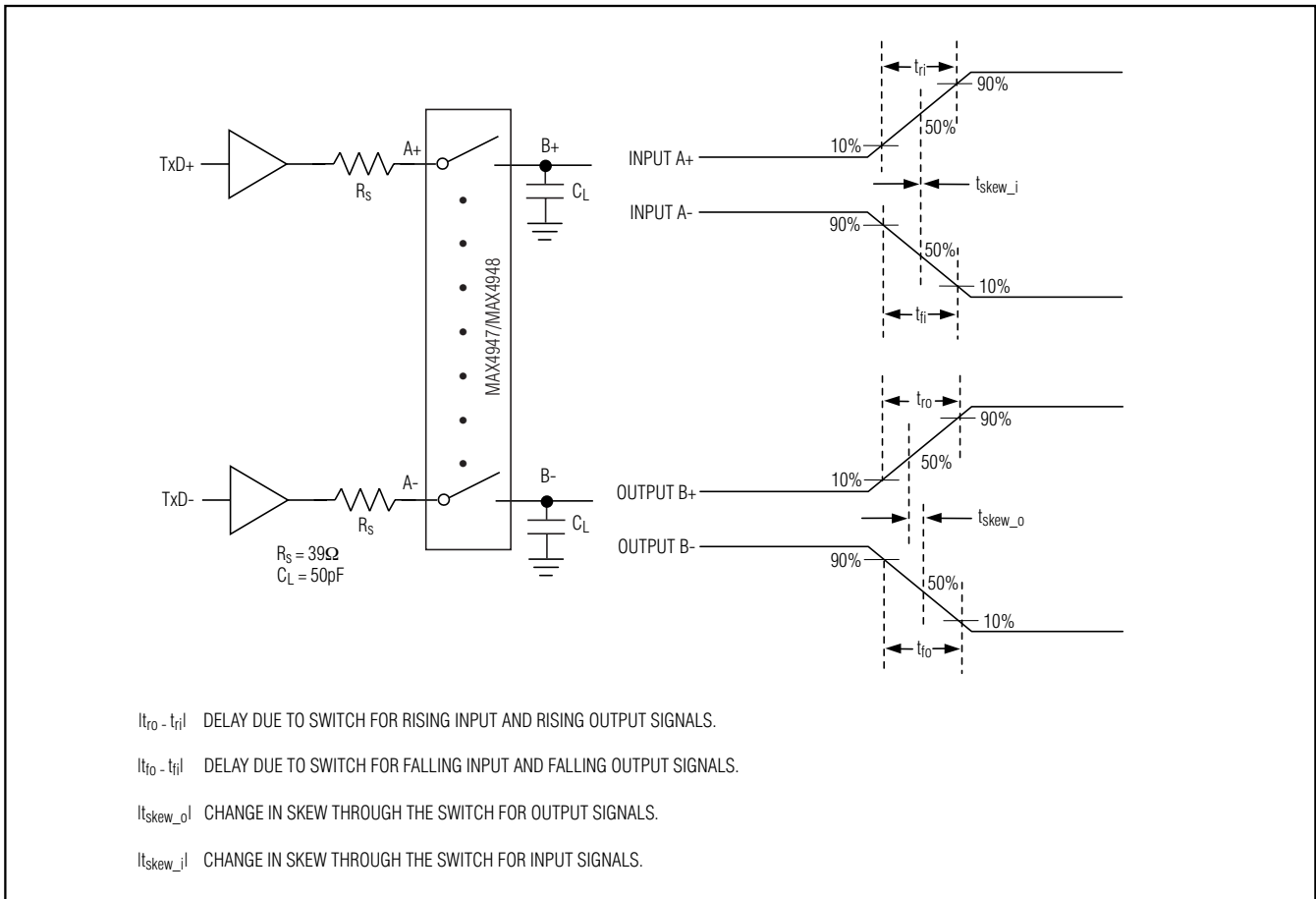


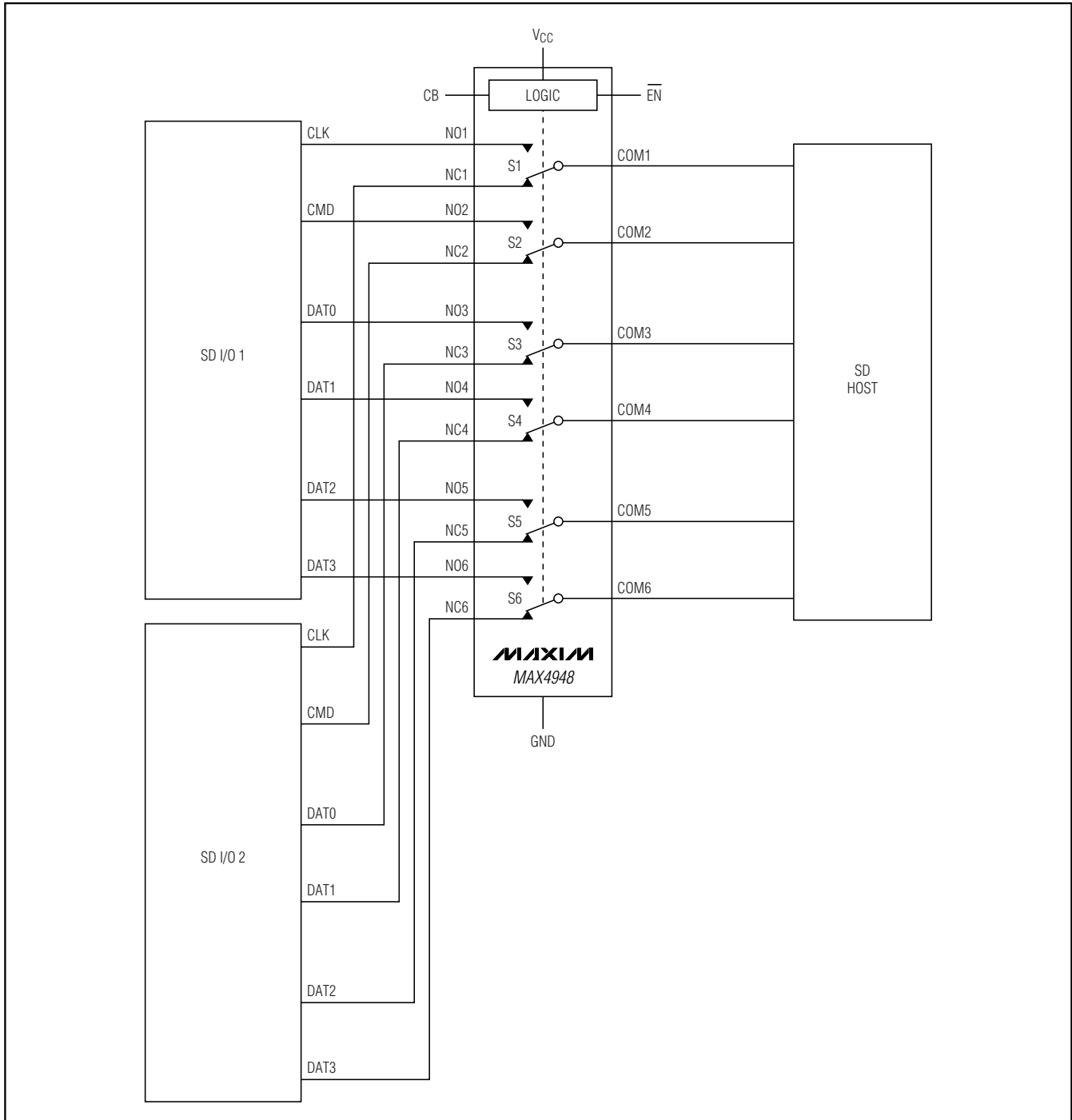
Figure 3. Input/Output Skew Timing Diagram



# Hex SPDT Data Switch

## Typical Operating Circuit

MAX4947/MAX4948



## Chip Information

PROCESS: CMOS

# Hex SPDT Data Switch

## Package Information

(The package drawing(s) in this data sheet may not reflect the most current specifications. For the latest package outline information go to [www.maxim-ic.com/packages](http://www.maxim-ic.com/packages).)

**TOP VIEW**

COMMON DIMENSIONS		PKG. CODE	DEPOPULATED SOLDER BALLS
A	0.62±0.05-0.08		
A1	0.29±0.02	B25-2	D2, D3, D4
A2	0.33 REF.	B25-3	B2, B3, B4
b	∅0.35±0.03	B25-4	B3, C2, C3, C4, D3
D	2.54±0.08		
D1	2.00 BASIC		
E	2.54±0.08		
E1	2.00 BASIC		
e	0.50 BASIC		
SD	0.00 BASIC		
SE	0.00 BASIC		

25L UCSP:EPS

**NOTES:**  
 1. ALL DIMENSIONS ARE IN MILLIMETERS.  
 2. PRODUCT MARKING: NUMBER OF CHARACTERS AND LINES VARY PER PRODUCT.

**SIDE VIEW**

**BOTTOM VIEW**

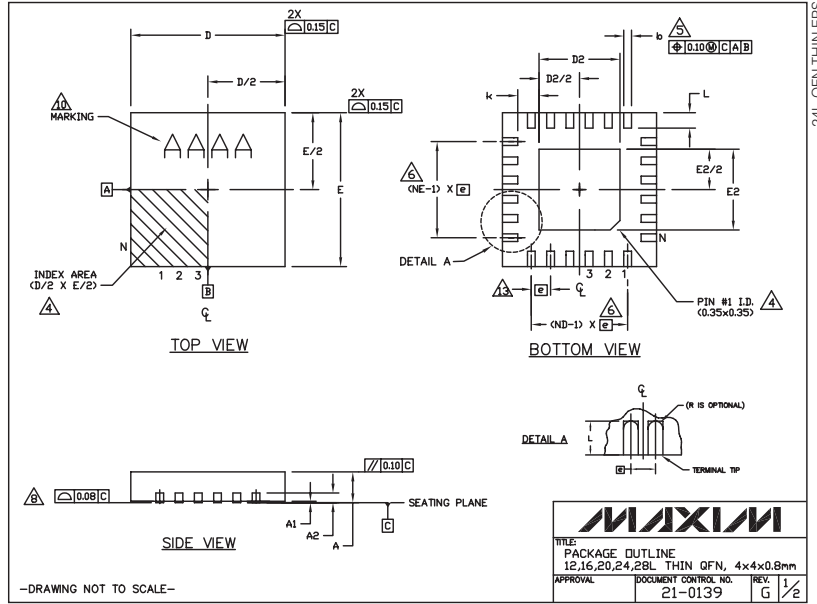
<b>DALLAS SEMICONDUCTOR</b>			
PROPRIETARY INFORMATION			
TITLE			
PACKAGE OUTLINE, 5x5 UCSP			
APPROVAL	DOCUMENT CONTROL NO.	REV.	1/1
	21-0096	H	

# Hex SPDT Data Switch

## Package Information (continued)

(The package drawing(s) in this data sheet may not reflect the most current specifications. For the latest package outline information go to [www.maxim-ic.com/packages](http://www.maxim-ic.com/packages).)

MAX4947/MAX4948



COMMON DIMENSIONS															
PKG	12L 4x4			16L 4x4			20L 4x4			24L 4x4			28L 4x4		
REF.	MIN.	NDM.	MAX.	MIN.	NDM.	MAX.	MIN.	NDM.	MAX.	MIN.	NDM.	MAX.	MIN.	NDM.	MAX.
A	0.70	0.75	0.80	0.70	0.75	0.80	0.70	0.75	0.80	0.70	0.75	0.80	0.70	0.75	0.80
A1	0.0	0.02	0.05	0.0	0.02	0.05	0.0	0.02	0.05	0.0	0.02	0.05	0.0	0.02	0.05
A2	0.20 REF			0.20 REF			0.20 REF			0.20 REF			0.20 REF		
b	0.25	0.30	0.35	0.25	0.30	0.35	0.20	0.25	0.30	0.18	0.23	0.30	0.15	0.20	0.25
D	3.90	4.00	4.10	3.90	4.00	4.10	3.90	4.00	4.10	3.90	4.00	4.10	3.90	4.00	4.10
E	3.90	4.00	4.10	3.90	4.00	4.10	3.90	4.00	4.10	3.90	4.00	4.10	3.90	4.00	4.10
e	0.80 BSC.			0.65 BSC.			0.50 BSC.			0.50 BSC.			0.40 BSC.		
k	0.25	-	-	0.25	-	-	0.25	-	-	0.25	-	-	0.25	-	-
L	0.45	0.55	0.65	0.45	0.55	0.65	0.45	0.55	0.65	0.30	0.40	0.50	0.30	0.40	0.50
N	12			16			20			24			28		
ND	3			4			5			6			7		
NE	3			4			5			6			7		
Vpdc	VGGB			VGGC			VGGD-1			VGGD-2			VGGE		

EXPOSED PAD VARIATIONS									
PKG CODES	D2			E2					
	MIN.	NDM.	MAX.	MIN.	NDM.	MAX.	MIN.	NDM.	MAX.
T1244-3	1.95	2.10	2.25	1.95	2.10	2.25			
T1244-4	1.95	2.10	2.25	1.95	2.10	2.25			
T1644-3	1.95	2.10	2.25	1.95	2.10	2.25			
T1644-4	1.95	2.10	2.25	1.95	2.10	2.25			
T2044-2	1.95	2.10	2.25	1.95	2.10	2.25			
T2044-3	1.95	2.10	2.25	1.95	2.10	2.25			
T2444-2	1.95	2.10	2.25	1.95	2.10	2.25			
T2444-3	2.45	2.60	2.63	2.45	2.60	2.63			
T2444-4	2.45	2.60	2.63	2.45	2.60	2.63			
T2844-1	2.50	2.60	2.70	2.50	2.60	2.70			

NOTES:

- DIMENSIONING & TOLERANCING CONFORM TO ASME Y14.5M-1994.
- ALL DIMENSIONS ARE IN MILLIMETERS. ANGLES ARE IN DEGREES.
- N IS THE TOTAL NUMBER OF TERMINALS.
- THE TERMINAL #1 IDENTIFIER AND TERMINAL NUMBERING CONVENTION SHALL CONFORM TO JESD 95-1 SPP-012. DETAILS OF TERMINAL #1 IDENTIFIER ARE OPTIONAL, BUT MUST BE LOCATED WITHIN THE ZONE INDICATED. THE TERMINAL #1 IDENTIFIER MAY BE EITHER A MOLD OR MARKED FEATURE.
- DIMENSION b APPLIES TO METALLIZED TERMINAL AND IS MEASURED BETWEEN 0.25mm AND 0.30mm FROM TERMINAL TIP.
- ND AND NE REFER TO THE NUMBER OF TERMINALS ON EACH D AND E SIDE RESPECTIVELY.
- DEPOPULATION IS POSSIBLE IN A SYMMETRICAL FASHION.
- COPLANARITY APPLIES TO THE EXPOSED HEAT SINK SLUG AS WELL AS THE TERMINALS.
- DRAWING CONFORMS TO JEDEC M0220, EXCEPT FOR T2444-3, T2444-4 AND T2844-1.
- MARKING IS FOR PACKAGE ORIENTATION REFERENCE ONLY.
- COPLANARITY SHALL NOT EXCEED 0.08mm.
- VARPAGE SHALL NOT EXCEED 0.10mm.
- LEAD CENTERLINES TO BE AT TRUE POSITION AS DEFINED BY BASIC DIMENSION 'e', ±0.05.
- NUMBER OF LEADS SHOWN ARE FOR REFERENCE ONLY.
- ALL DIMENSIONS ARE THE SAME FOR LEADED (-) & PbfREE (+) PACKAGE CODES.

MAXIM

TITLE: PACKAGE OUTLINE  
12,16,20,24,28L THIN QFN, 4x4x0.8mm

APPROVAL DOCUMENT CONTROL NO. REV. 1/2  
21-0139 G

## Revision History

Pages changed at Rev 1: 1.

Maxim cannot assume responsibility for use of any circuitry other than circuitry entirely embodied in a Maxim product. No circuit patent licenses are implied. Maxim reserves the right to change the circuitry and specifications without notice at any time.

Maxim Integrated Products, 120 San Gabriel Drive, Sunnyvale, CA 94086 408-737-7600 13

© 2007 Maxim Integrated Products

MAXIM is a registered trademark of Maxim Integrated Products, Inc.