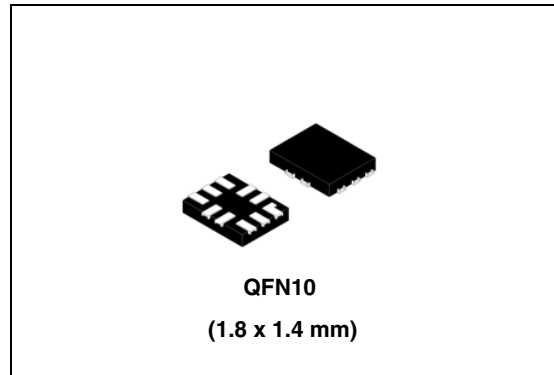


Low voltage 0.5 Ω dual SPDT switch with break-before-make

Features

- Ultra low power dissipation:
 $I_{CC} = 0.2 \mu\text{A}$ (max.) at $T_A = 85 \text{ }^\circ\text{C}$
- Low ON resistance:
 - $R_{ON} = 0.50 \Omega$ (max. $T_A = 25 \text{ }^\circ\text{C}$) at $V_{CC} = 4.3 \text{ V}$
 - $R_{ON} = 0.55 \Omega$ (max. $T_A = 25 \text{ }^\circ\text{C}$) at $V_{CC} = 3.6 \text{ V}$
 - $R_{ON} = 0.55 \Omega$ (max. $T_A = 25 \text{ }^\circ\text{C}$) at $V_{CC} = 3.0 \text{ V}$
- Wide operating voltage range:
 $V_{CC} \text{ (opr)} = 1.65 \text{ V to } 4.3 \text{ V}$ single supply
- 5 V tolerant and 1.8 V compatible threshold on digital control input at $V_{CC} = 1.65 \text{ to } 4.3 \text{ V}$
- Latch-up performance exceeds 300 mA (JESD 17)
- ESD performance:
 $\text{HBM} > 2 \text{ kV}$ (MIL STD 883 method 3015)



exists between the two ports) when nIN is held low. The switches $nS2$ are ON (connected to common ports Dn) when the nIN input is held low and OFF (high impedance state exists between the two ports) when IN is held high. Additional key features are fast switching speed, break-before-make delay time and ultra low power consumption. All inputs and outputs are equipped with protection circuits against static discharge, giving them ESD immunity and transient excess voltage immunity.

Description

The STG5223 is a high-speed CMOS dual analog SPDT (single pole dual throw) switch or dual 2:1 multiplexer/demultiplexer bus switch fabricated in silicon gate C^2 MOS technology. It is designed to operate from 1.65 to 4.3 V, making this device ideal for portable applications.

It offers very low ON resistance ($<0.5 \Omega$) at $V_{CC} = 3.0 \text{ V}$. The nIN inputs are provided to control the switches. The switches $nS1$ are ON (connected to common ports Dn) when the nIN input is held high and OFF (high impedance state

Table 1. Device summary

Order code	Package	Packaging
STG5223QTR	QFN10 (1.8 x 1.4 mm)	Tape and reel

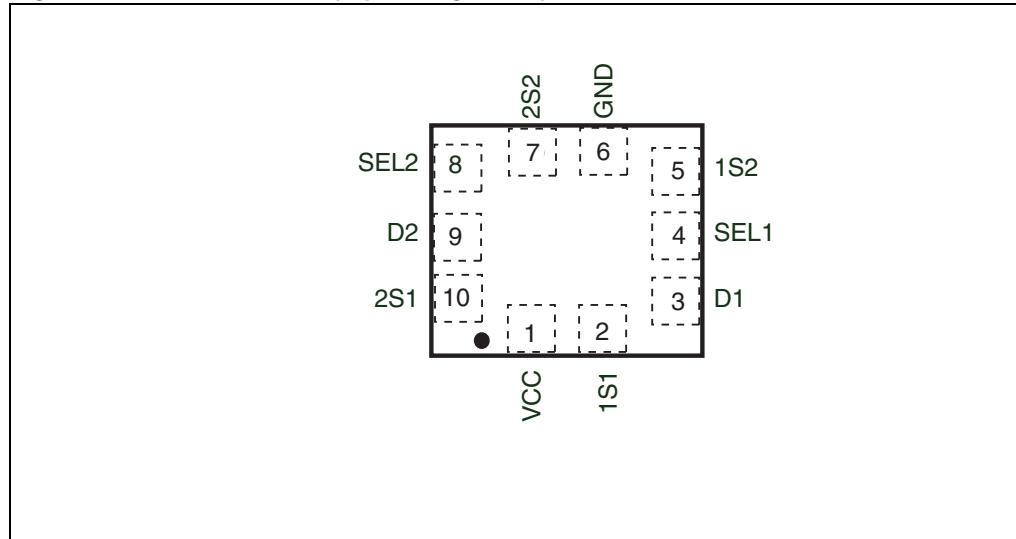
Contents

1	Pin settings	3
	1.1 Pin connection	3
	1.2 Pin description	3
2	Input equivalent circuit and truth table	4
3	Maximum rating	5
	3.1 Recommended operating conditions	6
4	Electrical characteristics	7
5	Test circuit	10
6	Package mechanical data	14
7	Revision history	18

1 Pin settings

1.1 Pin connection

Figure 1. Pin connection (top through view)



1.2 Pin description

Table 2. Pin description

Pin number	Symbol	Name and function
1	V _{CC}	Positive supply voltage
2	1S1	Independent channel
3	D1	Common channel
4	SEL1	Control
5	1S2	Independent channel
6	GND	Ground (0V)
7	2S2	Independent channel
8	SEL2	Control
9	D2	Common channel
10	2S1	Independent channel

Warning: Exposed pad must be soldered to a floating plane. Do NOT connect to power or ground.

2 Input equivalent circuit and truth table

Figure 2. Input equivalent circuit

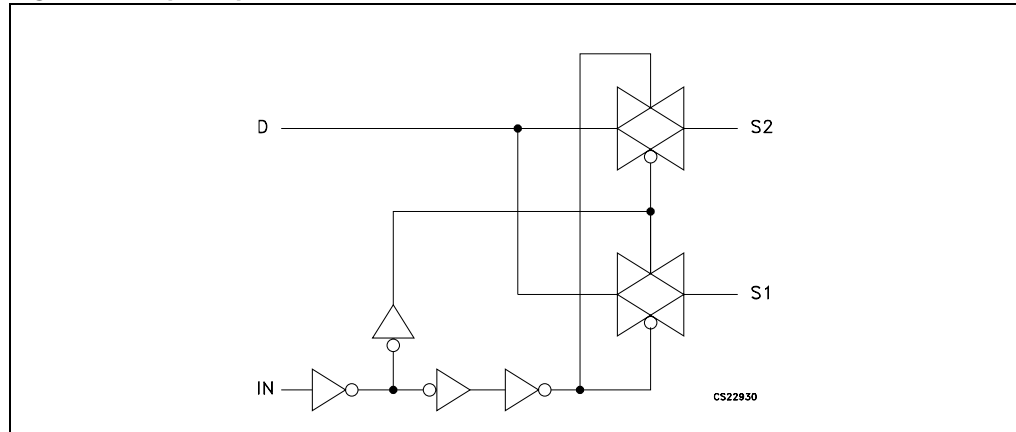


Table 3. Truth table

IN	Switch S1	Switch S2
H	ON	OFF ⁽¹⁾
L	OFF ⁽¹⁾	ON

1. High impedance

3 Maximum rating

Stressing the device above the rating listed in the “Absolute maximum ratings” table may cause permanent damage to the device. These are stress ratings only and operation of the device at these or any other conditions above those indicated in the operating sections of this specification is not implied. Exposure to absolute maximum rating conditions for extended periods may affect device reliability.

Table 4. Absolute maximum ratings

Symbol	Parameter	Value	Unit
V_{CC}	Supply voltage	-0.5 to 5.5	V
V_I	DC input voltage	-0.5 to $V_{CC} + 0.5$	V
V_{IC}	DC control input voltage	-0.5 to 5.5	V
V_O	DC output voltage	-0.5 to $V_{CC} + 0.5$	V
I_{IKC}	DC input diode current on control pin ($V_{SEL} < 0$ V)	-50	mA
I_{IK}	DC input diode current ($V_{IN} < 0$ V)	± 50	mA
I_{OK}	DC output diode current	± 20	mA
I_O	DC output current	± 300	mA
I_{OP}	DC output current peak (pulse at 1 ms, 10% duty cycle)	± 500	mA
I_{CC} or I_{GND}	DC V_{CC} or ground current	± 100	mA
P_D	Power dissipation at $T_A=70$ °C ⁽¹⁾	1120	mW
T_{STG}	Storage temperature	-65 to 150	°C
T_L	Lead temperature (10 sec)	300	°C

1. Derate above 70 °C by 18.5 mW/ °C

3.1 Recommended operating conditions

Table 5. Recommended operating conditions

Symbol	Parameter		Value	Unit
V_{CC}	Supply voltage		1.65 to 4.3	V
V_I	Input voltage		0 to V_{CC}	V
V_{IC}	Control input voltage		0 to 4.3	V
V_O	Output voltage		0 to V_{CC}	V
T_{op}	Operating temperature		-40 to 85	°C
dt/dv	Input rise and fall time control input	$V_{CC} = 1.65 \text{ V to } 2.7 \text{ V}$	0 to 20	ns/V
		$V_{CC} = 3.0 \text{ V to } 4.3 \text{ V}$	0 to 10	

4 Electrical characteristics

Table 6. DC specifications

Symbol	Parameter	V _{CC} (V)	Test condition	Value					Unit
				T _A = 25 °C			-40 to 85 °C		
				Min	Typ	Max	Min	Max	
V _{IH}	High level input voltage	1.65 – 1.95		0.65 V _{CC}	–	–	0.65 V _{CC}	–	V
		2.3 – 2.5		1.2	–	–	1.2	–	
		2.7 – 3.0		1.3	–	–	1.3	–	
		3.0 – 3.6		1.4	–	–	1.4	–	
		4.3		1.5	–	–	1.5	–	
V _{IL}	Low level input voltage	1.65 – 1.95		–	–	0.25	–	0.25	V
		2.3 – 2.5		–	–	0.25	–	0.25	
		2.7 – 3.0		–	–	0.25	–	0.25	
		3.0 – 3.6		–	–	0.30	–	0.30	
		4.3		–	–	0.40	–	0.40	
R _{ON}	Switch ON resistance	4.3	V _S = 0 V to V _{CC} I _S = 100 mA	–	0.45	0.50	–	0.55	Ω
		3.6		–	0.50	0.55	–	0.65	
		3.0		–	0.50	0.55	–	0.65	
		2.3		–	0.60	0.70	–	0.80	
		1.8		–	0.90	1.0	–	1.1	
ΔR _{ON}	ON resistance match between channels ⁽¹⁾	2.3	V _S = 0 V to V _{CC} I _S = 100 mA	–	0.1	–	–	–	Ω
R _{FLAT}	ON resistance flatness ⁽²⁾	4.3	V _S = 0 V to V _{CC} I _S = 100 mA	–	0.15	0.20	–	0.20	Ω
		3.6			0.15	0.20	–	0.20	
		3.0			0.15	0.20	–	0.20	
		2.3			0.20	0.25	–	0.25	
		1.8			0.35	0.45	–	0.45	
I _{OFF}	OFF state leakage current (nSn), (Dn)	4.3	V _S = 0.3 or 4 V	–	–	±20	–	±100	nA
I _{IN}	Input leakage current	0 – 4.3	V _{SEL} = 0 to 4.3 V	–	–	±0.05	–	±1	μA
I _{CC}	Quiescent supply current	1.65 – 4.3	V _{SEL} = V _{CC} or GND	–	–	±0.05	–	±0.2	μA

Table 6. DC specifications (continued)

Symbol	Parameter	V _{CC} (V)	Test condition	Value					Unit
				T _A = 25 °C			-40 to 85 °C		
				Min	Typ	Max	Min	Max	
I _{CCLV}	Quiescent supply current low voltage driving	4.3	V _{1IN} , V _{2IN} = 1.65 V	–	±37	±50	–	±100	μA
			V _{1IN} , V _{2IN} = 1.80 V	–	±33	±40	–	±50	
			V _{1IN} , V _{2IN} = 2.60 V	–	±12	±20	–	±30	

1. $\Delta R_{ON} = R_{ON(max)} - R_{ON(min)}$

2. Flatness is defined as the difference between the maximum and minimum value of on-resistance as measured over the specified analog signal ranges.

Table 7. AC electrical characteristics (C_L = 35 pF, R_L = 50 Ω, t_r = t_f ≤ 5 ns)

Symbol	Parameter	V _{CC} (V)	Test condition	Value					Unit
				T _A = 25 °C			-40 to 85 °C		
				Min	Typ	Max	Min	Max	
t _{PLH} , t _{PHL}	Propagation delay	1.65 – 1.95		–	0.30	–	–	–	ns
		2.3 – 2.7		–	0.25	–	–		
		3.0 – 3.3		–	0.20	–	–		
		3.6 – 4.3		–	0.20	–	–		
t _{ON}	Turn-ON time	1.65 – 1.95	V _S = 0.8 V	–	120	–	–	–	ns
		2.3 – 2.7	V _S = 1.5 V	–	65	85	–	90	
		3.0 – 3.3		–	42	55	–	65	
		3.6 – 4.3		–	40	55	–	65	
t _{OFF}	Turn-OFF time	1.65 – 1.95	V _S = 0.8 V	–	45	–	–	–	ns
		2.3 – 2.7	V _S = 1.5 V	–	18	30	–	40	
		3.0 – 3.3		–	16	30	–	40	
		3.6 – 4.3		–	15	30	–	40	
t _D	Break-before- make time delay	1.65 – 1.95	C _L = 35 pF R _L = 50 Ω V _S = 1.5 V	2	17	–	–	–	ns
		2.3 – 2.7		2	10	–	–		
		3.0 – 3.3		2	8	–	–		
		3.6 – 4.3		2	7	–	–		
Q	Charge injection	1.65 – 1.95	C _L = 100 pF R _L = 1 MΩ V _{GEN} = 0 V R _{GEN} = 0 Ω	–	43	–	–	–	pC
		2.3 – 2.7		–	51	–	–		
		3.0 – 3.3		–	51	–	–		
		3.6 – 4.3		–	49	–	–		

Table 8. Analog switch characteristics ($C_L = 5 \text{ pF}$, $R_L = 50 \text{ } \Omega$, $T_A = 25 \text{ } ^\circ\text{C}$)

Symbol	Parameter	V_{CC} (V)	Test condition	Value					Unit
				$T_A = 25 \text{ } ^\circ\text{C}$			$-40 \text{ to } 85 \text{ } ^\circ\text{C}$		
				Min	Typ	Max	Min	Max	
OIRR	Off isolation ⁽¹⁾	1.65 —4.3	$V_S = 1 \text{ V}_{RMS}$ $f = 100 \text{ kHz}$	–	-66	–	–	–	dB
Xtalk	Crosstalk	1.65 —4.3	$V_S = 1 \text{ V}_{RMS}$ $f = 100 \text{ kHz}$	–	-72	–	–	–	dB
THD	Total harmonic distortion	2.3 —4.3	$R_L = 600 \text{ } \Omega$ $V_{SEL} = 2 \text{ V}_{PP}$ $f = 20 \text{ Hz to } 20 \text{ kHz}$	–	0.02	–	–	–	%
BW	-3dB bandwidth	1.65 —4.3	$R_L = 50 \text{ } \Omega$	–	55	–	–	–	MHz
C_{IN}	Control pin input capacitance			–	7	–	–	–	pF
C_{ON}	Sn port capacitance when switch is enabled	3.3	$f = 1 \text{ MHz}$	–	114	–	–	–	
C_{OFF}	Sn port capacitance when switch is disabled	3.3	$f = 1 \text{ MHz}$	–	40	–	–	–	
C_D	D port capacitance when the switch is enabled	3.3	$f = 1 \text{ MHz}$	–	114	–	–	–	

1. Off isolation = $20 \text{ Log}_{10} (V_D/V_S)$, V_D = output, V_S = input at off switch

5 Test circuit

Figure 3. ON resistance

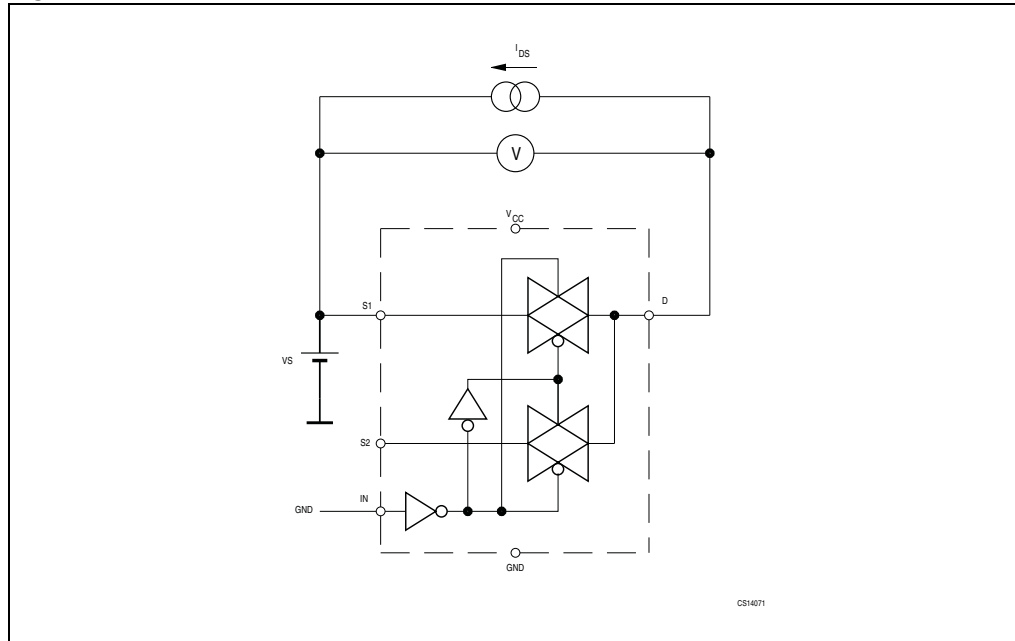


Figure 4. OFF leakage

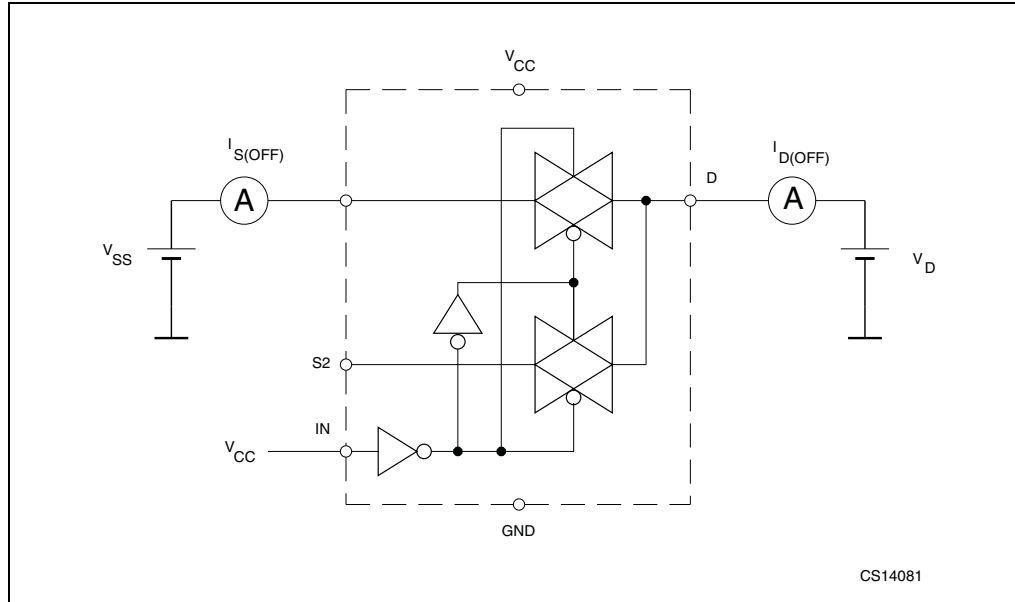


Figure 5. OFF isolation

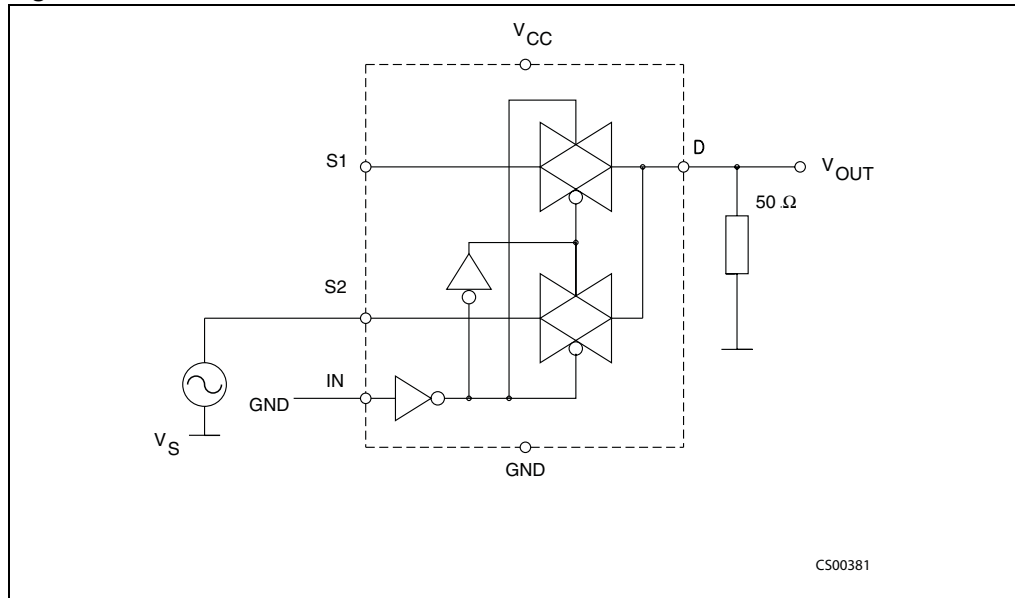


Figure 6. Bandwidth

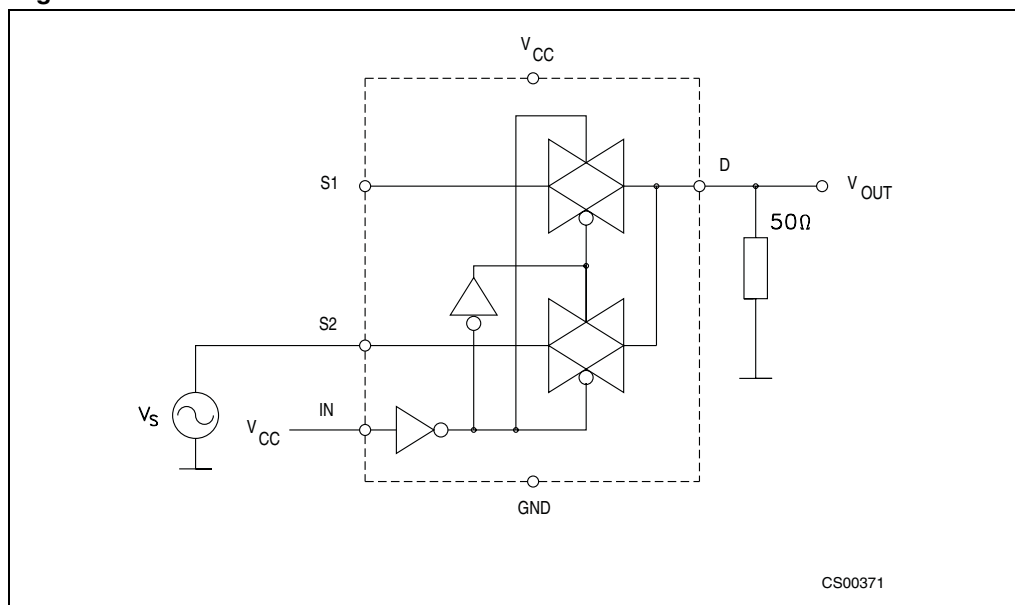


Figure 7. Channel-to-channel crosstalk

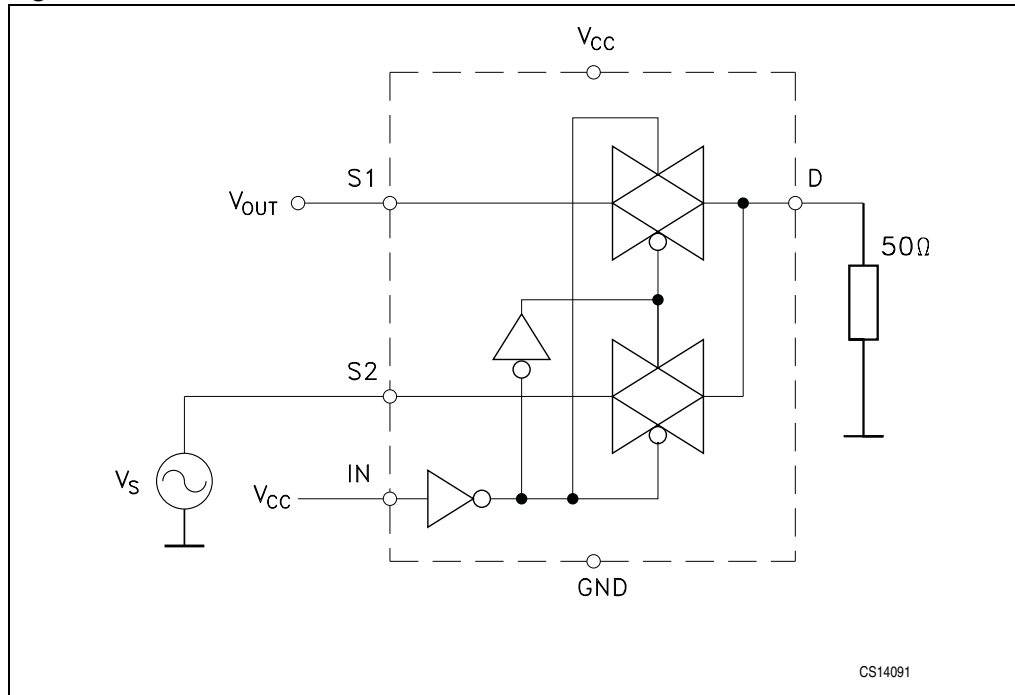
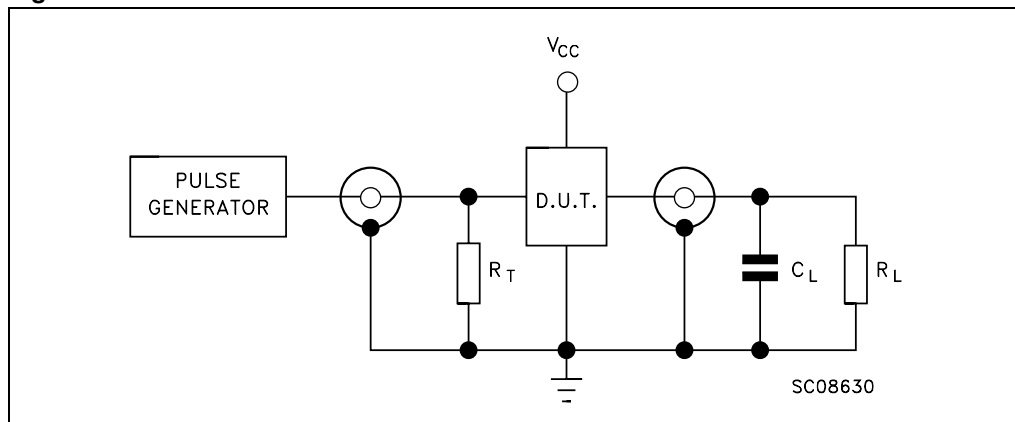


Figure 8. Test circuit



1. $C_L = 5/35\ \text{pF}$ or equivalent (includes jig and probe capacitance)
2. $R_L = 50\ \Omega$ or equivalent
3. $R_T = Z_{OUT}$ of pulse generator (typically $50\ \Omega$)

Figure 9. Break-before-make time delay

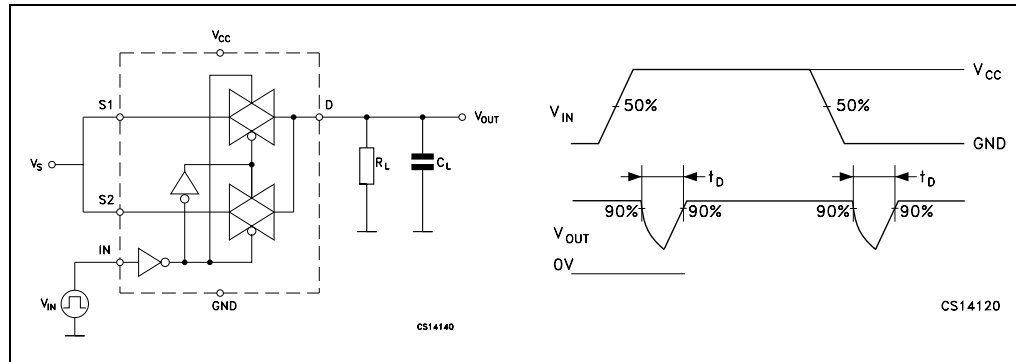


Figure 10. Charge injection ($V_{GEN} = 0$, $R_{GEN} = 0 \Omega$, $R_L = 1 \text{ M}\Omega$, $C_L = 100 \text{ pF}$)

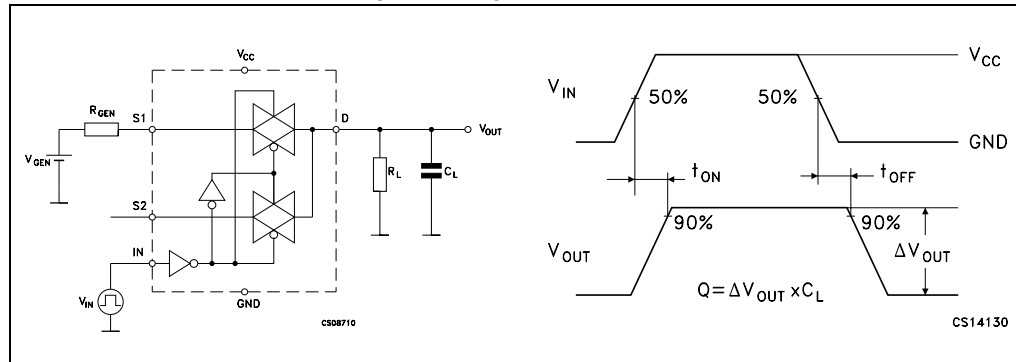
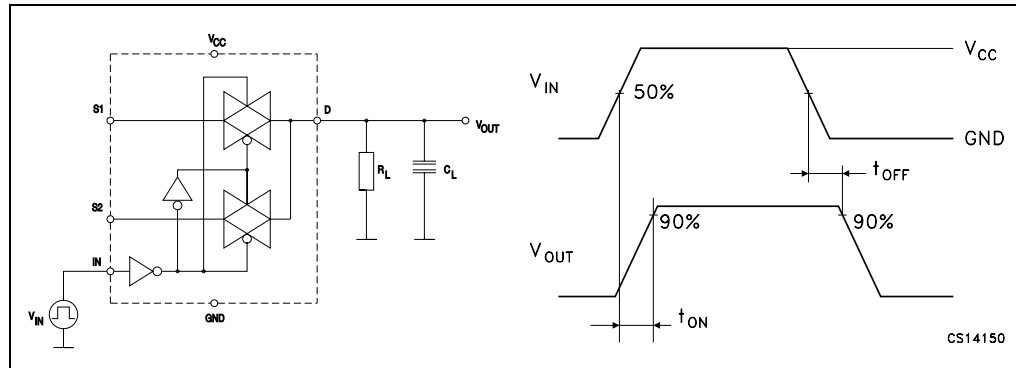


Figure 11. Turn on, turn off delay time



6 Package mechanical data

In order to meet environmental requirements, ST offers these devices in different grades of ECOPACK[®] packages, depending on their level of environmental compliance. ECOPACK[®] specifications, grade definitions and product status are available at: www.st.com. ECOPACK[®] is an ST trademark.

Figure 12. Package outline for QFN10 (1.8 x 1.4 x 0.5 mm) - 0.40 mm pitch

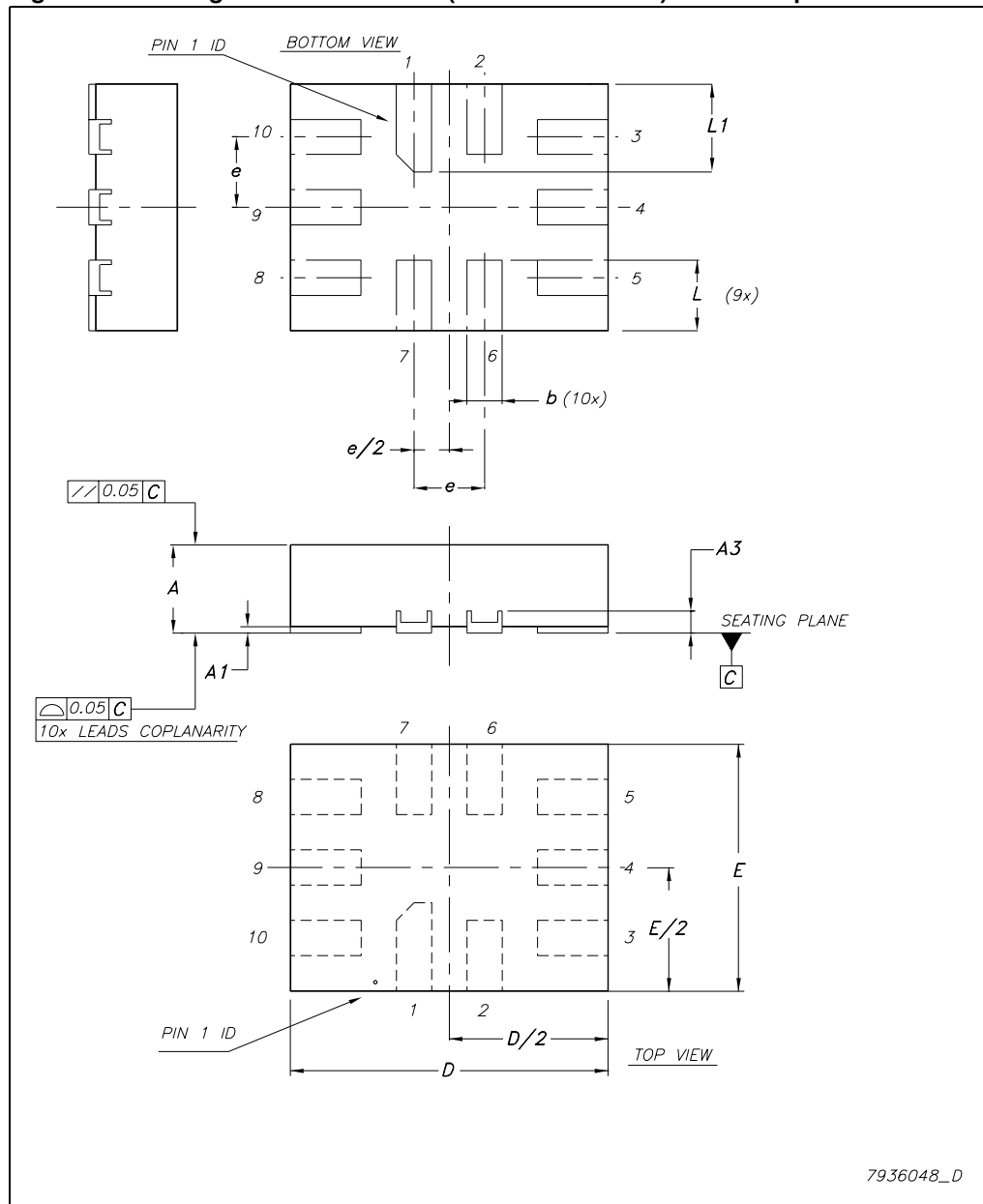


Table 9. Mechanical data for QFN10 (1.8 x 1.4 x 0.5 mm) - 0.40 mm pitch

Symbol	Millimeters		
	Min	Typ	Max
A	0.45	0.50	0.55
A1	0	0.02	0.05
A3		0.127	
b	0.15	0.20	0.25
D	1.75	1.80	1.85
E	1.35	1.40	1.45
e		0.40	
L	0.35	0.40	0.45
L1	0.45	0.50	0.55

Figure 13. Recommended footprint for QFN10 (1.8 x 1.4 x 0.5 mm) - 0.40 mm pitch

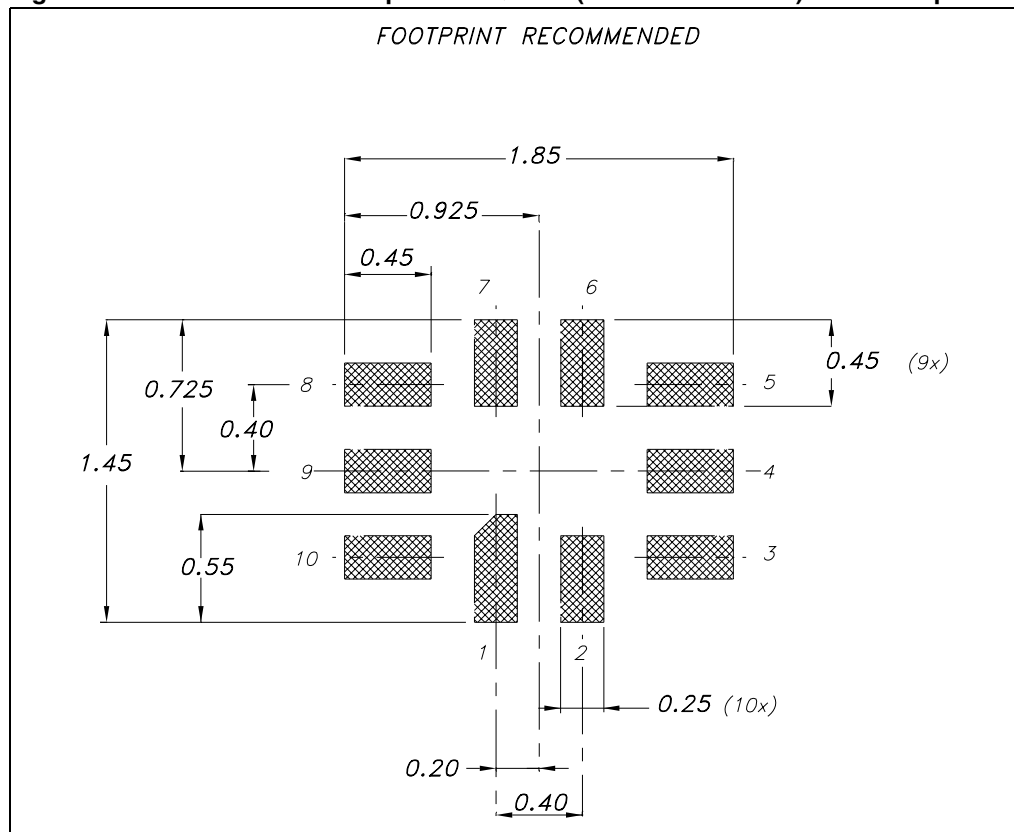


Figure 14. Carrier tape for QFN10 (1.8 x 1.4 x 0.5 mm)

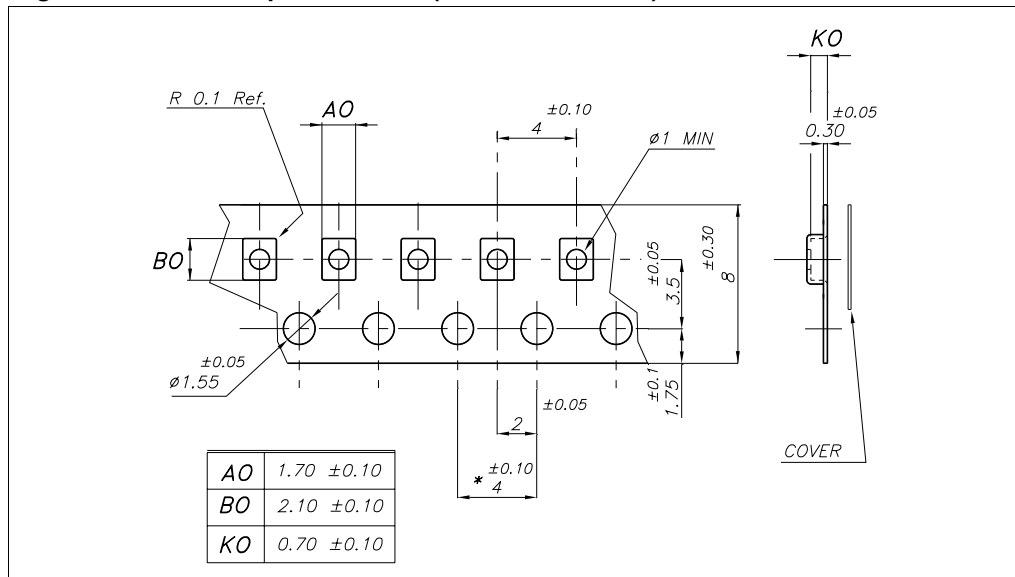


Figure 15. Reel information (back view) for QFN10 (1.8 x 1.4 x 0.5 mm)

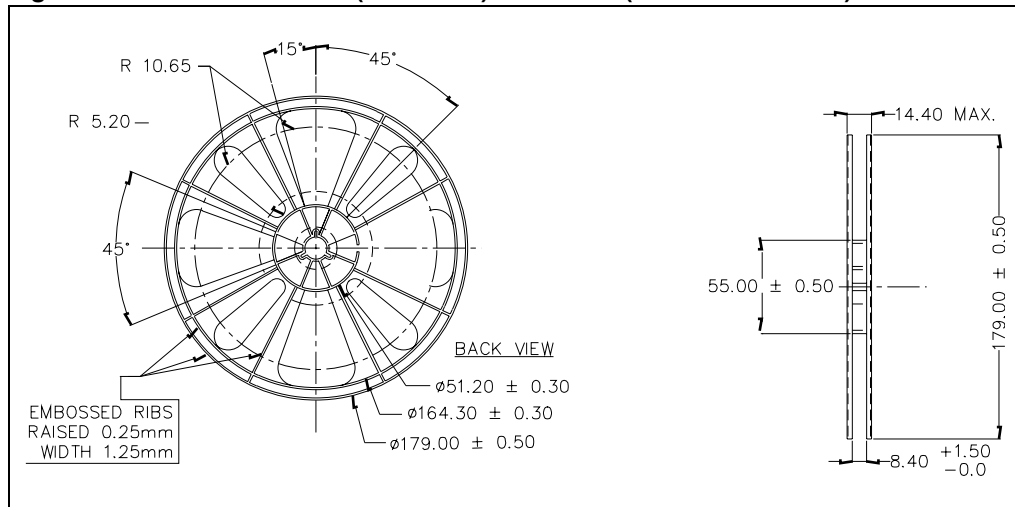
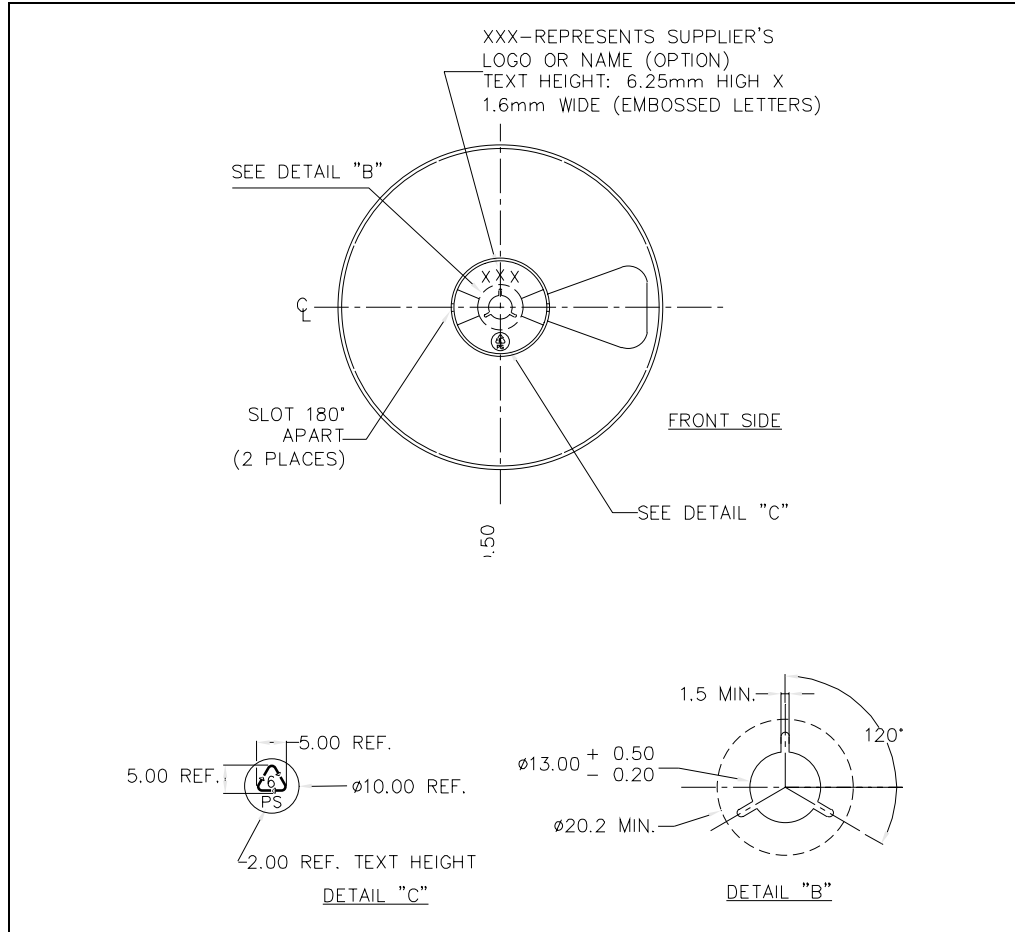


Figure 16. Reel information (front side) for QFN10 (1.8 x 1.4 x 0.5 mm)



7 Revision history

Table 10. Document revision history

Date	Revision	Changes
06-Dec-2007	1	Initial release.
10-Jul-2008	2	Updated RON and RFLAT in Table 6 .
18-May-2009	3	Modified: Table 6 and ECOPACK text. Content reworked to improve readability in Section 6 .

Please Read Carefully:

Information in this document is provided solely in connection with ST products. STMicroelectronics NV and its subsidiaries ("ST") reserve the right to make changes, corrections, modifications or improvements, to this document, and the products and services described herein at any time, without notice.

All ST products are sold pursuant to ST's terms and conditions of sale.

Purchasers are solely responsible for the choice, selection and use of the ST products and services described herein, and ST assumes no liability whatsoever relating to the choice, selection or use of the ST products and services described herein.

No license, express or implied, by estoppel or otherwise, to any intellectual property rights is granted under this document. If any part of this document refers to any third party products or services it shall not be deemed a license grant by ST for the use of such third party products or services, or any intellectual property contained therein or considered as a warranty covering the use in any manner whatsoever of such third party products or services or any intellectual property contained therein.

UNLESS OTHERWISE SET FORTH IN ST'S TERMS AND CONDITIONS OF SALE ST DISCLAIMS ANY EXPRESS OR IMPLIED WARRANTY WITH RESPECT TO THE USE AND/OR SALE OF ST PRODUCTS INCLUDING WITHOUT LIMITATION IMPLIED WARRANTIES OF MERCHANTABILITY, FITNESS FOR A PARTICULAR PURPOSE (AND THEIR EQUIVALENTS UNDER THE LAWS OF ANY JURISDICTION), OR INFRINGEMENT OF ANY PATENT, COPYRIGHT OR OTHER INTELLECTUAL PROPERTY RIGHT.

UNLESS EXPRESSLY APPROVED IN WRITING BY AN AUTHORIZED ST REPRESENTATIVE, ST PRODUCTS ARE NOT RECOMMENDED, AUTHORIZED OR WARRANTED FOR USE IN MILITARY, AIR CRAFT, SPACE, LIFE SAVING, OR LIFE SUSTAINING APPLICATIONS, NOR IN PRODUCTS OR SYSTEMS WHERE FAILURE OR MALFUNCTION MAY RESULT IN PERSONAL INJURY, DEATH, OR SEVERE PROPERTY OR ENVIRONMENTAL DAMAGE. ST PRODUCTS WHICH ARE NOT SPECIFIED AS "AUTOMOTIVE GRADE" MAY ONLY BE USED IN AUTOMOTIVE APPLICATIONS AT USER'S OWN RISK.

Resale of ST products with provisions different from the statements and/or technical features set forth in this document shall immediately void any warranty granted by ST for the ST product or service described herein and shall not create or extend in any manner whatsoever, any liability of ST.

ST and the ST logo are trademarks or registered trademarks of ST in various countries.

Information in this document supersedes and replaces all information previously supplied.

The ST logo is a registered trademark of STMicroelectronics. All other names are the property of their respective owners.

© 2009 STMicroelectronics - All rights reserved

STMicroelectronics group of companies

Australia - Belgium - Brazil - Canada - China - Czech Republic - Finland - France - Germany - Hong Kong - India - Israel - Italy - Japan - Malaysia - Malta - Morocco - Philippines - Singapore - Spain - Sweden - Switzerland - United Kingdom - United States of America

www.st.com

