

# CIC751

Companion IC

# 16bit

Microcontrollers



Never stop thinking

**Edition 2006-06**

**Published by  
Infineon Technologies AG  
81726 München, Germany**

**© Infineon Technologies AG 2006.  
All Rights Reserved.**

**Attention please!**

The information given in this document shall in no event be regarded as a guarantee of conditions or characteristics ("Beschaffenheitsgarantie"). With respect to any examples or hints given herein, any typical values stated herein and/or any information regarding the application of the device, Infineon Technologies hereby disclaims any and all warranties and liabilities of any kind, including without limitation warranties of non-infringement of intellectual property rights of any third party.

**Information**

For further information on technology, delivery terms and conditions and prices please contact your nearest Infineon Technologies Office ([www.infineon.com](http://www.infineon.com)).

**Warnings**

Due to technical requirements components may contain dangerous substances. For information on the types in question please contact your nearest Infineon Technologies Office.

Infineon Technologies Components may only be used in life-support devices or systems with the express written approval of Infineon Technologies, if a failure of such components can reasonably be expected to cause the failure of that life-support device or system, or to affect the safety or effectiveness of that device or system. Life support devices or systems are intended to be implanted in the human body, or to support and/or maintain and sustain and/or protect human life. If they fail, it is reasonable to assume that the health of the user or other persons may be endangered.

# CIC751

## Companion IC

Microcontrollers



Never stop thinking

CIC751

**CONFIDENTIAL**

**Revision History: 2006-06**

V 1.3

Previous Version: None.

Page	Subjects (major changes since last revision)
25	chapter 4.4.4. Power Sequencing was reworked for version 1.2
25	chapter 4.4.4. Power Sequencing was reworked for version 1.3
33	table 4-13 updated for version 1.3

**We Listen to Your Comments**

Any information within this document that you feel is wrong, unclear or missing at all?  
Your feedback will help us to continuously improve the quality of this document.

Please send your proposal (including a reference to this document) to:

[mcdocu.comments@infineon.com](mailto:mcdocu.comments@infineon.com)



## Table of Contents

<b>1</b>	<b>Summary of Features</b> .....	<b>3</b>
<b>2</b>	<b>General Device Information</b> .....	<b>4</b>
2.1	Introduction .....	4
2.2	Pin Configuration and Definition .....	4
<b>3</b>	<b>Functional Description</b> .....	<b>10</b>
3.1	Detailed Features .....	10
3.1.1	ADC .....	11
3.1.2	MLI .....	12
3.1.3	SSC .....	12
<b>4</b>	<b>Electrical Parameters</b> .....	<b>13</b>
4.1	General Parameters .....	13
4.2	DC Parameters .....	15
4.3	Analog/Digital Converter Parameters .....	17
4.4	AC Characteristics .....	21
4.4.1	Definition of Internal Timing .....	21
4.4.1.1	Prescaler Mode .....	21
4.4.1.2	Phase Locked Loop (PLL) .....	21
4.4.2	Testing Waveforms of the digital input/output signals .....	23
4.4.3	Output Rise and Fall Times .....	24
4.4.4	Power Sequencing .....	25
4.4.5	Timing Parameters .....	27
4.4.5.1	Micro Link Interface (MLI) Timing .....	27
4.4.6	Synchronous Serial Channel (SSC) Slave Mode Timing .....	30
4.5	Package and Reliability .....	32
4.5.1	Packaging .....	32
4.5.2	Package Outlines .....	32
4.5.3	Quality Declarations .....	33



## 1 Summary of Features

This section provides a high-level description of the features on the CIC751.

- 5 V Analog to Digital Converter
- 16 analog input channels
- Internal low power oscillator
- Slave (SPI) SSC interface operating on 5 V or 3.3 V
- MLI Interface operating on 5 V or 3.3 V
- Maximum system frequency of 40 MHz
- Low-power design
- Single power supply concept design (for pad and core supply)
- Separated ADC supply
- Input and output pins with 3.3 V and 5.0 V
- Flexible clocking concept
- Crossbar bus architecture

### Ordering Information

The ordering code for Infineon microcontrollers provides an exact reference to the required product. This ordering code identifies:

- the derivative itself, i.e. its function set, the temperature range, and the supply voltage
- the package and the type of delivery.

For the available ordering codes for the CIC751 please refer to the “**Product Catalog Microcontrollers**”, which summarizes all available microcontroller variants.

## 2 General Device Information

### 2.1 Introduction

The CIC751 is a companion IC for the Infineon AUDO-NG family of 32-bit microcontrollers. The major function of the CIC751 is to provide the AUDO-NG 32-bit microcontrollers with the capability of a 5 V Analog to Digital Converter (ADC). The interconnection of the CIC751 and the microcontroller is accomplished via either the Micro Link Interface (MLI) or the Synchronous Serial Interface (SSC). Internal operations of the CIC751 are supported by the very flexible on-chip DMA controller.

### 2.2 Pin Configuration and Definition

The pins of the CIC751 are described in detail in [Table 2-1](#), including all their alternate functions.

**Table 2-1 Pin Definitions and Functions**

Symbol	Pin/Port	I/O	Function
<b>AIN0</b>	35 P1.0	I	Analog Input 0 <sup>1)</sup> For this pin a Multiplexer Test Mode is available.
<b>AIN1</b>	36 P1.1	I	Analog Input 1 <sup>1)</sup>
<b>AIN2</b>	37 P1.2	I	Analog Input 2 <sup>1)</sup>
<b>AIN3</b>	38 P1.3	I	Analog Input 3 <sup>1)</sup>
<b>AIN4</b>	1 P1.4	I	Analog Input 4 <sup>1)</sup>
<b>AIN5</b>	2 P1.5	I	Analog Input 5 <sup>1)</sup>
<b>AIN6</b>	7 P1.6	I	Analog Input 6 <sup>1)</sup>
<b>AIN7</b>	8 P1.7	I	Analog Input 7 <sup>1)</sup>
<b>AIN8</b>	5 P1.8	I	Analog Input 8 <sup>1)</sup>
<b>AIN9</b>	6 P1.9	I	Analog Input 9 <sup>1)</sup>



**Table 2-1 Pin Definitions and Functions (cont'd)**

<b>Symbol</b>	<b>Pin/Port</b>	<b>I/O</b>	<b>Function</b>
<b>AIN10</b>	3 P1.10	I	Analog Input 10 <sup>1)</sup>
<b>AIN11</b>	4 P1.11	I	Analog Input 11 <sup>1)</sup>
<b>AIN12</b>	11 P1.12	I	Analog Input 12 <sup>1)</sup>
<b>AIN13</b>	12 P1.13	I	Analog Input 13 <sup>1)</sup>
<b>AIN14</b>	13 P1.14	I	Analog Input 14 <sup>1)</sup>
<b>AIN15</b>	14 P1.15	I	Analog Input 15 <sup>1)</sup>
<b>VAREF</b>	9	I	Analog Reference Voltage
<b>VAGND</b>	10	I	Analog Ground
<b>TCLK/SR3</b>	17 P0.0	I/O	MODE = 0: MLI Transmit Channel Clock Output MODE = 1: Event output line 3
<b>TREADY/SR4</b>	19 P0.1	I/O	MODE = 0: MLI Transmit Channel Ready Input MODE = 1: Event request output line 4
<b>TVALID/SCLK</b>	20 P0.2	I/O	MODE = 0: MLI Transmit Channel Valid Output MODE = 1: SPI Serial Channel Clock
<b>TDATA/MRST</b>	21 P0.3	I/O	MODE = 0: MLI Transmit Channel Data Output MODE = 1: SPI Master Receive Slave Transmit
<b>RCLK</b>	22 P0.4	I/O	MODE = 0: MLI Receive Channel Clock Input MODE = 1: GPIO

**Table 2-1 Pin Definitions and Functions (cont'd)**

Symbol	Pin/Port	I/O	Function
<b>RREADY/RDY</b>	23 P0.5	I/O	MODE = 0: MLI Receive Channel Ready Output MODE = 1: SSC Ready Signal
<b>RVALID/SLS</b>	24 P0.6	I/O	MODE = 0: MLI Receive Channel Valid Input MODE = 1: SSC Select Slave
<b>RDATA/MTSR</b>	25 P0.7	I/O	MODE = 0: MLI Receive Channel Data Input MODE = 1: SPI Master Transmit Slave Receive
<b>MODE</b> <sup>2)</sup>	26 P0.8	I/O	Interface Selection Pin MODE selects whether the on-chip MLI or SSC are used to access the CIC751 device. 0: On-chip MLI 1: On-chip SSC Event request output line 5 (SR5)
<b>TESTMODE</b> <sup>3)</sup>	27 P0.9	I/O	Test Mode Selection <sup>4)</sup> 0: Reserved; do not use 1: Normal Mode
<b>SR0</b>	28 P0.10	I/O	Event request output line 0
<b>SR1</b>	29 P0.11	I/O	External Trigger
<b>SR2</b>	30 P0.12	I/O	External Trigger
<b>PORST</b>	31	I	Power-on Reset <sup>5)</sup>
<b>V<sub>DDM</sub></b>	34	+5 V	Power Supply, supply for ADC module
<b>V<sub>DDP</sub></b>	18, 33	+3.3 V or +5.0 V	Power Supply, supply for I/O pads
<b>V<sub>DDC</sub></b>	16	+2.5 V	Power Supply, supply for digital module cores <sup>6)</sup>
<b>V<sub>SS</sub></b>	15, 32	0 V	Ground

- 1) In addition to the analog input function of pin P1.x, a digital input stage is available. This input stage is activated while  $STCU\_SYS\_CON.P1DIDIS = 0$ .
- 2) The initial logic state on pin MODE is latched while the  $\overline{PORST}$  input is active. A weak pull-up can be disabled if used as the SR5 pin.
- 3) The initial logic state on pin  $\overline{TESTMODE}$  is latched while the  $\overline{PORST}$  input is active.
- 4) The meaning of 0 and 1 is only valid while this pin is latched. Thereafter it can be used as GPIO pin.
- 5) This pin has no internal pulls. If required an external pull has to be provided.
- 6) An external capacitance of 220 nF is required for this pin.

**Figure 2-1** shows the pin-out for a 38-pin package

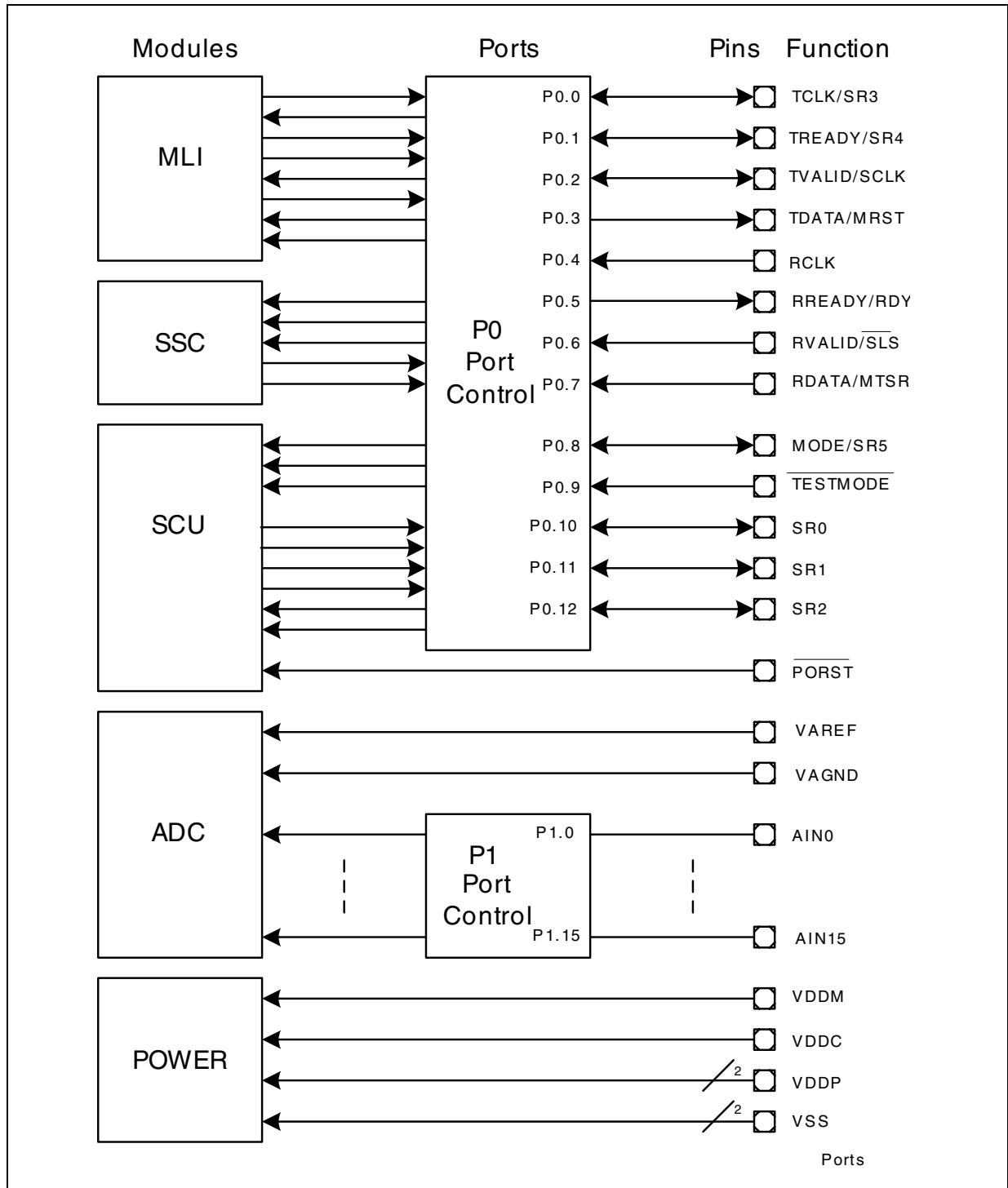


Figure 2-1 Pins for P/PG-TSSOP-38 Package

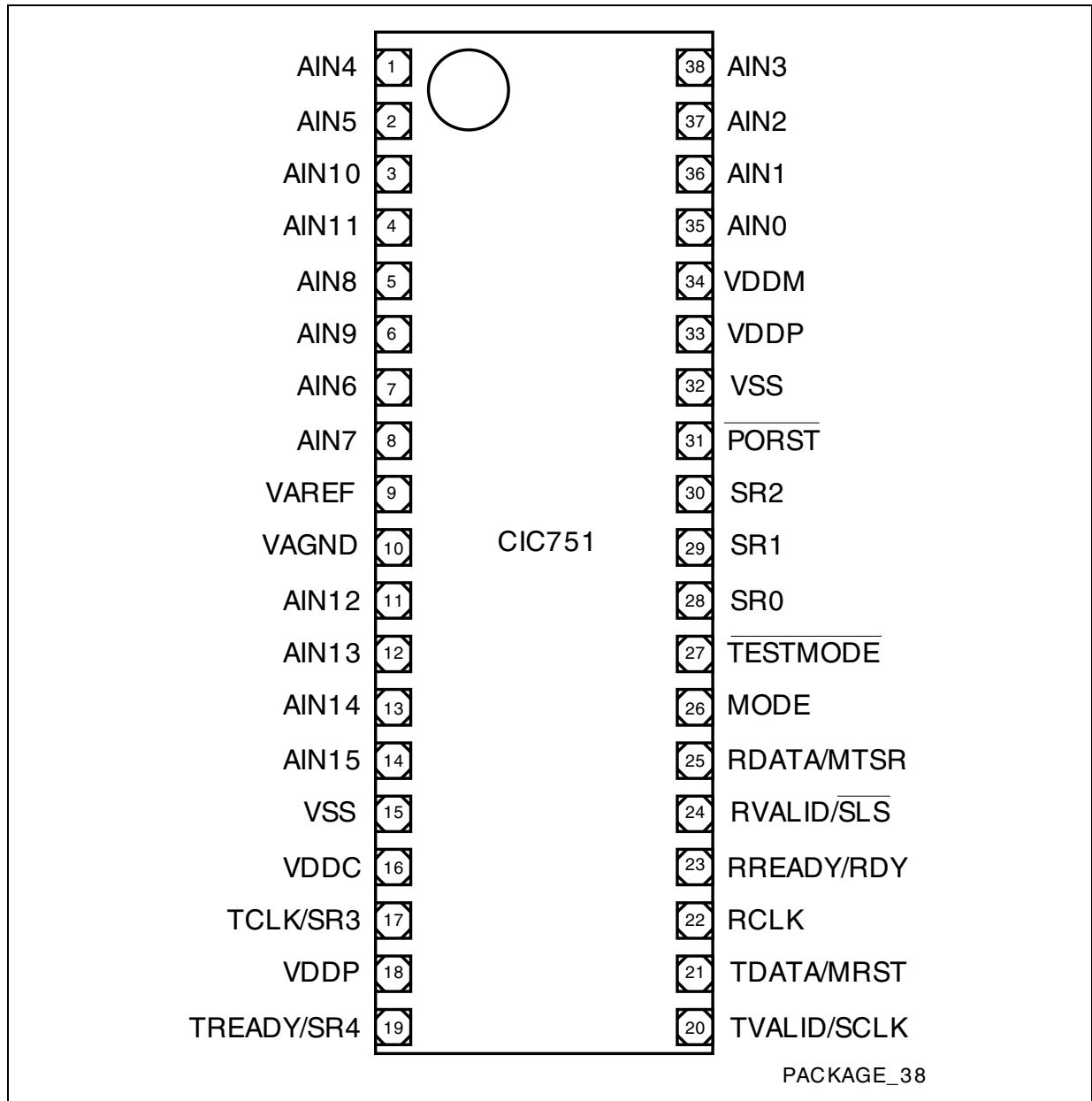


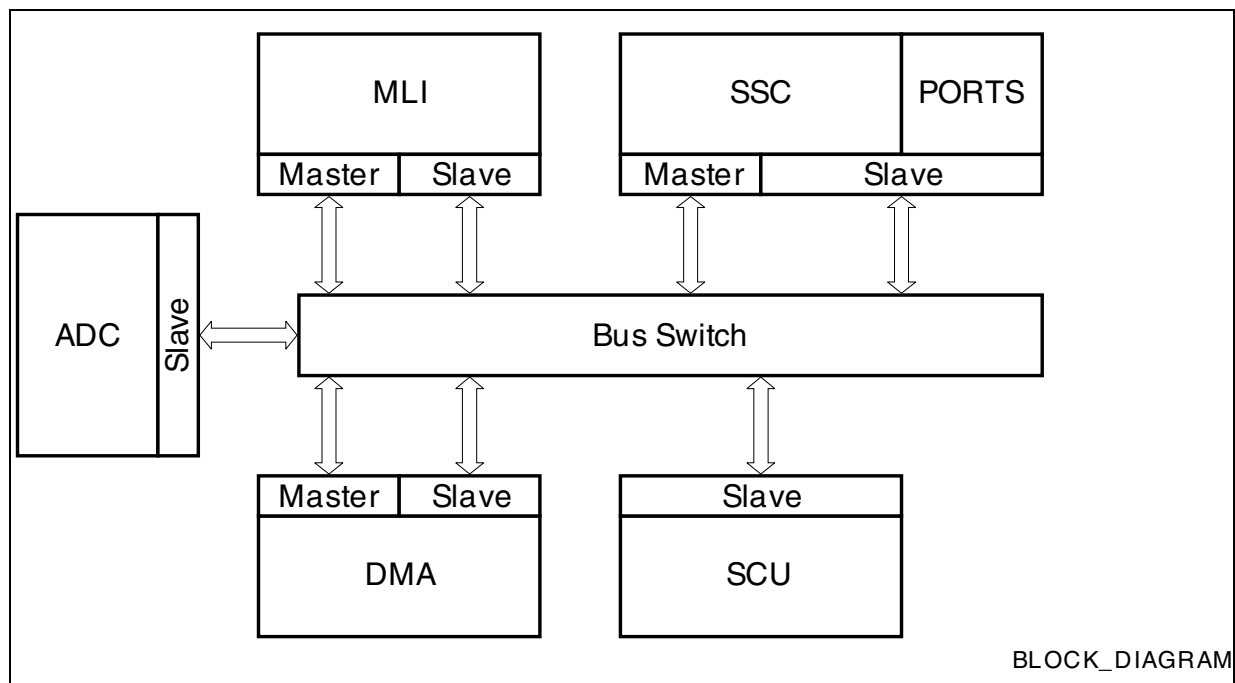
Figure 2-2 Pin Numbering for P/PG-TSSOP-38 Package

### 3 Functional Description

**Figure 3-1** provides the block diagram of the CIC751 companion chip. This design allows access to the ADC by the host CPU without sacrificing any of the features of the ADC. This can be achieved because all registers of the ADC are mapped to the on-chip bus. This bus can be accessed via one of the two serial interfaces. Selection of the interface is made via pin MODE, which can be directly connected to the supply voltage or via pull-up/down resistors.

The bus domain is completely separated from the address domain on the CPU chip. The addresses of all modules on the companion chip are 32-bit addresses. Transactions between the CPU and the SSC are executed with the SSC transmission protocol; transactions between the MLI and the CPU use the MLI transmission protocol.

Each transaction via any of the two serial interfaces is defined by address, data, data width, and type of frame. The address from which data is read or written to, is related to the address domain. The data width may be 8, 16 or 32 bits for the MLI and 16 bits for the SSC. The ADC and the MLI may send request triggers to the DMA Controller.



**Figure 3-1** CIC751 Block Diagram

#### 3.1 Detailed Features

The following sections provide detailed information about each of the on-chip modules.

### 3.1.1 ADC

The CIC751 provides an Analog/Digital Converter with 8-bit or 10-bit resolution and a sample & hold circuit on-chip. An input multiplexer selects between up to 16 analog input channels either via software (Fixed Channel Modes) or automatically (Auto Scan Modes).

To fulfill most requirements of embedded control applications, the ADC supports the following conversion modes:

- **Standard Conversions**
  - **Fixed Channel Single Conversion**  
produces just one result from the selected channel
  - **Fixed Channel Continuous Conversion**  
repeatedly converts the selected channel
  - **Auto Scan Single Conversion**  
produces one result from each of a selected group of channels
  - **Auto Scan Continuous Conversion**  
repeatedly converts the selected group of channels
  - **Wait for Read Mode**  
start a conversion automatically when the previous result was read
- **Channel Injection Mode**  
can insert the conversion of a specific channel into a group conversion (auto scan)

The key features of the ADC are:

- Use of Successive Approximation Method
- Integrated sample and hold functionality
- Analog Input Voltage Range from 0V to 5V
- 16 Analog Input Channels
- 16 ADC result registers
- Resolution:
  - 8-Bit or 10-Bit in Compatibility Mode
- Minimum Conversion Time: 2.55  $\mu$ s @ 10-Bit
- Total Unadjusted Error (TUE):  $\pm 1$  LSB @ 8-Bit,  $\pm 2$  LSB @ 10-Bit
- Support of several Conversion Modes
  - Fixed Channel Single Conversion
  - Fixed Channel Continuous Conversion
  - Auto Scan Single Conversion
  - Auto Scan Continuous Conversion
  - Wait for Result Read and Start Next Conversion
  - Channel Injection during Group Conversion
- Programmable Conversion and Sample Timing Scheme
- Automatic Self-Calibration to changing temperatures or process variations

### 3.1.2 MLI

The Micro Link Interface (MLI) is a fast synchronous serial interface that makes it possible to exchange data between microcontrollers or other devices.

The key features of the MLI are:

- Synchronous serial communication between an MLI transmitter and an MLI receiver
- Different system clock speeds are supported in the MLI transmitter and MLI receiver due to full handshake protocol (4 lines between a transmitter and a receiver)
- Fully transparent read/write access is supported (= remote programming)
- Complete address range of target device (Remote Controller) is available
- Specific frame protocol to transfer commands, addresses, and data
- Error detection by parity bit
- 32-bit, 16-bit, or 8-bit data transfers are supported
- Programmable baud rate:  $f_{\text{MLI}}/2$  (max.:  $f_{\text{MLI}} = f_{\text{SYS}}$ )
- Multiple receiving devices are supported

### 3.1.3 SSC

The SSC supports full-duplex and half-duplex serial synchronous communication up to 10 Mbit/s (@ 40 MHz module clock). The serial clock signal is received from an external master (Slave Mode). Data width, shift direction, clock polarity, and phase are programmable. This allows communication with SPI-compatible devices. Transmission and reception of data is double-buffered. A shift clock generator provides the SSC with a separate serial clock signal.

This section describes only the use of the SSC module as a slave because the CIC751 always operates as a slave to a host.

#### Features

- Slave Mode operation
  - Full-duplex or half-duplex operation
  - Automatic pad control possible
- Flexible data format
  - Programmable shift direction: LSB or MSB shift first
  - Programmable clock polarity: Idle low or idle high state for the shift clock
  - Programmable clock/data phase: Data shift with leading or trailing edge of the shift clock
- Internal Master Function
  - Access to the all addresses
  - Automatic address handling
  - Automatic data handling



## 4 Electrical Parameters

The Electrical Specifications comprise parameters to ensure the product's lifetime (Absolute Maximum Parameters) as well as parameters to describe the product's operating conditions.

### 4.1 General Parameters

Stresses above those listed under "Absolute Maximum Ratings" may cause permanent damage to the device. This is a stress rating only and functional operation of the device at these or any other conditions above those indicated in the operational sections of this specification is not implied. Exposure to absolute maximum rating conditions for extended periods may affect device reliability.

During absolute maximum rating overload conditions ( $V_{IN} > V_{DD}$  or  $V_{IN} < V_{SS}$ ) the voltage on  $V_{DD}$  pins with respect to ground ( $V_{SS}$ ) must not exceed the values defined by the absolute maximum ratings.

Note: [Table 4-2](#) and [Table 4-3](#) are valid for port 0 only.

**Table 4-1 Absolute Maximum Ratings**

Parameter	Symbol	Values			Unit	Note / Test Condition
		Min.	Typ.	Max.		
Storage temperature	$T_{ST}$	-65	–	150	°C	–
Voltage on $V_{DDC}$ pins with respect to ground ( $V_{SS}$ )	$V_{DDC}$	-0.5	–	3.25	V	–
Voltage on $V_{DDP}$ pins with respect to ground ( $V_{SS}$ )	$V_{DDP}$	-0.5	–	6.2	V	–
Voltage on any pin with respect to ground ( $V_{SS}$ )	$V_{IN}$	-0.5	–	$V_{DDP} + 0.5$	V	–
Input current on any pin during overload condition	–	-10	–	10	mA	–
Absolute sum of all input currents during overload condition	–	–	–	100	mA	–
Junction temperature	$T_J$	-40	–	150	°C	under bias

### Operating Conditions

The following operating conditions must not be exceeded to ensure correct operation of the CIC751. All parameters specified in the following sections refer to these operating conditions, unless otherwise noticed.

**Table 4-2 Operating Condition Parameters**

Parameter	Symbol	Values			Unit	Note / Test Condition
		Min.	Typ.	Max.		
System frequency	$f_{SYS}$	–	–	40	MHz	–
RCOSC output frequency	$f_{RCOSC}$	8	9	10	MHz	over all conditions
Digital supply voltage for the core	$V_{DDC}$	2.25	–	2.75	V	Active Mode, $f_{SYS} = f_{SYSmax}^{1)}$
Digital supply voltage for IO pads for 5 V Mode	$V_{DDP}$	4.5	5.0	5.5	V	Active Mode <sup>2)3)</sup>
Digital supply voltage for IO pads for 3.3 V Mode	$V_{DDP}$	3.13	3.3	3.47	V	Active Mode <sup>4)5)</sup>
Supply Voltage Difference for IO pads in 5.0 V Mode	$\Delta V_{DD}$	-0.5	–	–	V	$V_{DDP} - V_{DDC}^{6)}$
Digital ground voltage	$V_{SS}$	0	–	–	V	Reference voltage
Overload current	$I_{OV}$	-5	–	5	mA	Per IO pin <sup>7)8)</sup>
		-2	–	5	mA	Per analog input pin <sup>7)8)</sup>
Overload current coupling factor for analog inputs <sup>9)</sup>	$K_{OVA}$	–	–	$1.0 \times 10^{-4}$	–	$I_{OV} > 0$
		–	–	$1.5 \times 10^{-3}$	–	$I_{OV} < 0$
Overload current coupling factor for digital I/O pins <sup>9)</sup>	$K_{OVD}$	–	–	$5.0 \times 10^{-3}$	–	$I_{OV} > 0$
		–	–	$1.0 \times 10^{-2}$	–	$I_{OV} < 0$
Absolute sum of overload currents	$\sum  I_{OV} $	–	–	50	mA	<sup>8)</sup>
External Load Capacitance	$C_L$	–	–	50	pF	

1)  $f_{SYSmax} = 40$  MHz

2) External circuitry must guarantee low-level at the  $\overline{PORST}$  pin at least until both power supply voltages have reached the operating range.

3) The specified voltage range is allowed for operation. The range limits may be reached under extreme operating conditions. However, specified parameters, such as leakage currents, refer to the standard operating voltage range of  $V_{DDP} = 4.5$  V to 5.5 V.

4) External circuitry must guarantee low-level at the  $\overline{PORST}$  pin at least until both power supply voltages have reached the operating range.

**CONFIDENTIAL**
**Electrical Parameters**

- 5) The specified voltage range is allowed for operation. The range limits may be reached under extreme operating conditions. However, specified parameters, such as leakage currents, refer to the standard operating voltage range of  $V_{DDP} = 4.5 \text{ V}$  to  $5.5 \text{ V}$ .
- 6) This limitation must be fulfilled under all operating conditions including power-ramp-up and power-ramp-down.
- 7) Overload conditions occur if the standard operating conditions are exceeded, i.e. the voltage on any pin exceeds the specified range:  $V_{OV} > V_{DDP} + 0.5 \text{ V}$  ( $I_{OV} > 0$ ) or  $V_{OV} < V_{SS} - 0.5 \text{ V}$  ( $I_{OV} < 0$ ). The absolute sum of input overload currents on all pins may not exceed **50 mA**. The supply voltages must remain within the specified limits. Proper operation is not guaranteed if overload conditions occur on functional pins.
- 8) Not subject to production test - verified by design/characterization.
- 9) An overload current ( $I_{OV}$ ) through a pin injects a certain error current ( $I_{INJ}$ ) into the adjacent pins. This error current adds to the respective pin's leakage current ( $I_{OZ}$ ). The amount of error current depends on the overload current and is defined by the overload coupling factor  $K_{OV}$ . The polarity of the injected error current is inverse compared to the polarity of the overload current that produces it.  
The total current through a pin is  $|I_{TOT}| = |I_{OZ}| + (|I_{OV}| \times K_{OV})$ . The additional error current may distort the input voltage on analog inputs.

## 4.2 DC Parameters

The following chapter describes the DC parameters of the device.

**Table 4-3 DC Characteristics (Operating Conditions apply)<sup>1)</sup>**

Parameter	Symbol	Values			Unit	Note / Test Condition
		Min.	Typ.	Max.		
Input low voltage TTL	$V_{IL}$	–	–	$0.3 \times V_{DDP}$	V	<sup>2)</sup>
Input low voltage (Special Threshold)	$V_{ILS}$	–	–	$0.45 \times V_{DDP}$	V	<sup>3)</sup>
Input high voltage TTL	$V_{IH}$	$0.7 \times V_{DDP}$	–	–	V	<sup>2)</sup>
Input high voltage (Special Threshold)	$V_{IHS}$	$0.8 \times V_{DDP} - 0.2$	–	$V_{DDP} + 0.5$	V	<sup>3)</sup>
Input Hysteresis (Special Threshold)	HYS	$0.02 \times V_{DDP}$	–	–	V	$V_{DDP}$ in [V], Series resistance = $0 \Omega$ <sup>3)</sup>
Output low voltage	$V_{OL}$	–	–	1.0	V	$I_{OL} = 8 \text{ mA}$ <sup>4)</sup>
		–	–	0.45	V	$I_{OL} = 2.5 \text{ mA}$ <sup>4)5)</sup>
Output high voltage <sup>6)</sup>	$V_{OH}$	$V_{DDP} - 1.0$	–	–	V	$I_{OH} = -8 \text{ mA}$ <sup>4)</sup>
		$V_{DDP} - 0.45$	–	–	V	$I_{OH} = -2.5 \text{ mA}$ <sup>4)5)</sup>
Input leakage current (Port 1) <sup>7)</sup>	$I_{OZ1}$	–	–	$\pm 300$	nA	$0 \text{ V} < V_{IN} < V_{DDM}$ , $T_A \leq 125 \text{ }^\circ\text{C}$

**Table 4-3 DC Characteristics (Operating Conditions apply)<sup>1)</sup> (cont'd)**

Parameter	Symbol	Values			Unit	Note / Test Condition
		Min.	Typ.	Max.		
Leakage current of pin VAREF (Idle Mode)	$I_{VAREFIM}$	–	–	$\pm 800$	nA	$0\text{ V} < V_{IN} < V_{DDP}$ , $T_A \leq 125\text{ }^\circ\text{C}$
Leakage current of pin VAREF (Active Mode)	$I_{VAREFAM}$	–	–	$\pm 20 + I_{VAREFIM}$	$\mu\text{A}$	$0\text{ V} < V_{IN} < V_{DDP}$ , $T_A \leq 125\text{ }^\circ\text{C}$
Input leakage current (Port 0) <sup>7)</sup>	$I_{OZ2}$	–	–	$\pm 500$	nA	$0.45\text{ V} < V_{IN} < V_{DDP}$
Configuration pull-up current <sup>8)</sup>	$I_{CPUH}$ <sup>9)</sup>	–	–	-5	$\mu\text{A}$	$V_{IN} = V_{IHmin}$
	$I_{CPUL}$ <sup>10)</sup>	-100	–	–	$\mu\text{A}$	$V_{IN} = V_{ILmax}$
Level active hold current	$I_{LHA}$ <sup>11)</sup>	-100	–	–	$\mu\text{A}$	$V_{OUT} = 0.45\text{ V}$
Pin capacitance <sup>12)</sup> digital inputs/outputs	$C_{IO}$	–	–	10	pF	–

- 1) Keeping signal levels within the limits specified in this table, ensures operation without overload conditions. For signal levels outside these specifications, also refer to the specification of the overload current  $I_{OV}$ .
- 2) This parameter is tested for  $\overline{\text{PORST}}$
- 3) This parameter is tested for P0.
- 4) The maximum deliverable output current of a port driver depends on the selected output driver mode, see [Table 4-4, Current Limits for Port Output Drivers](#). The limit for pin groups must be respected.
- 5) As a rule, with decreasing output current the output levels approach the respective supply level ( $V_{OL} \rightarrow V_{SS}$ ,  $V_{OH} \rightarrow V_{DDP}$ ). However, only the levels for nominal output currents are guaranteed.
- 6) This specification is not valid for outputs which are switched to open drain mode. In this case the respective output will float and the voltage results from the external circuitry.
- 7) An additional error current ( $I_{INJ}$ ) will flow if an overload current flows through an adjacent pin. Please refer to the definition of the overload coupling factor  $K_{OV}$ .
- 8) This specification is valid during Reset for configuration on PORT0.
- 9) The maximum current may be drawn while the respective signal line remains inactive.
- 10) The minimum current must be drawn to drive the respective signal line active.
- 11) The minimum current must be drawn to drive the respective signal line active.
- 12) Only one point on the curve is tested in production. The rest of the curve is verified by design/characterization.

**Table 4-4 Current Limits for Port Output Drivers**

Port Output Driver Mode	Maximum Output Current ( $I_{OLmax}$ , $-I_{OHmax}$ ) <sup>1)</sup>	Nominal Output Current ( $I_{OLnom}$ , $-I_{OHnom}$ )
<b>Strong driver</b> <sup>2)3)</sup>	8 mA	2.5 mA
<b>Strong driver</b> <sup>4)5)</sup>	10 mA	2.5 mA
<b>Medium driver</b> <sup>6)</sup>	4.0 mA	1.0 mA
<b>Weak driver</b> <sup>6)</sup>	0.5 mA	0.1 mA

- 1) An output current above  $|I_{Oxnom}|$  may be drawn from up to three pins at the same time.  
For any group of 16 neighboring port output pins the total output current in each direction ( $\Sigma I_{OL}$  and  $\Sigma I_{OH}$ ) must remain below 50 mA.
- 2) For 3.3 V operation.
- 3) The strong driver is used for all pins beside pin 35 (AIN0)
- 4) For 5.0 V operation.
- 5) The strong driver is used for all pins beside pin 35 (AIN0)
- 6) The medium / weak driver is only used for pin 35 (AIN0)

**Table 4-5 Power Consumption CIC751**

Parameter	Symbol	Values			Unit	Note / Test Condition
		Min.	Typ.	Max.		
Power supply current (active) with all peripherals active	$I_{DDC}$	–	–	30	mA	at 40 MHz system frequency
Power supply current (active) with all peripherals active	$I_{DDC}$	–	–	18	mA	at 20 MHz system frequency
Pad I/O current	$I_{DDP}$	–	4	–	mA	
$V_{DDM}$ supply current	$I_{DDM}$	–	–	5	mA	

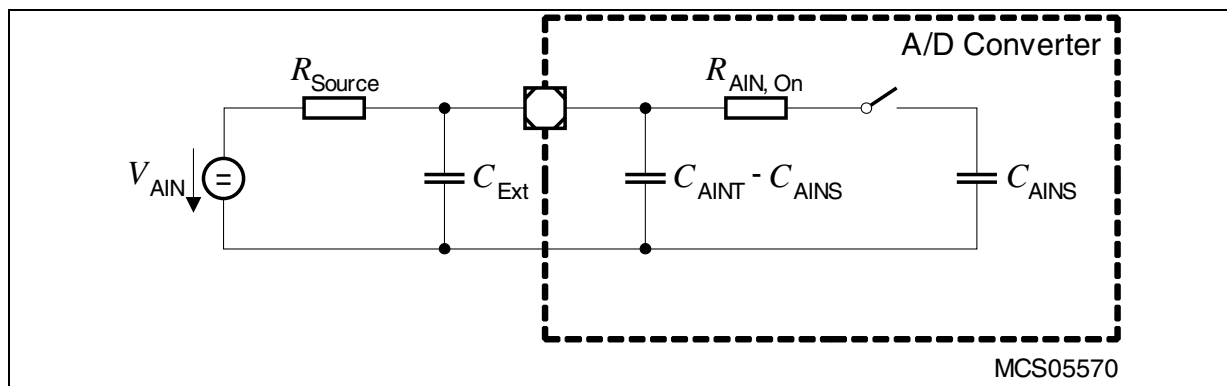
### 4.3 Analog/Digital Converter Parameters

The parameters of the ADC module are described below.

**Table 4-6 A/D Converter Characteristics (Operating Conditions apply)**

Parameter	Symbol	Values			Unit	Note / Test Condition
		Min.	Typ.	Max.		
Analog supply voltage	$V_{DDM}$	4.5	5.0	5.5	V	1)
Analog reference supply	$V_{AREF}$	4.5	–	$V_{DDM} + 0.1$	V	2)
Analog reference ground	$V_{AGND}$	$V_{SS} - 0.1$	–	$V_{SS} + 0.1$	V	–
Analog input voltage range	$V_{AIN}$	$V_{AGND}$	–	$V_{AREF}$	V	3)
Basic clock frequency	$f_{BC}$	0.5	–	20	MHz	4)
Conversion time for 10-bit result <sup>5)</sup>	$t_{C10P}$	$52 \times t_{BC} + t_S + 6 \times t_{SYS}$	–	–	–	Post-calibr. on
	$t_{C10}$	$40 \times t_{BC} + t_S + 6 \times t_{SYS}$	–	–	–	Post-calibr. off
Conversion time for 8-bit result <sup>5)</sup>	$t_{C8P}$	$44 \times t_{BC} + t_S + 6 \times t_{SYS}$	–	–	–	Post-calibr. on
	$t_{C8}$	$32 \times t_{BC} + t_S + 6 \times t_{SYS}$	–	–	–	Post-calibr. off
Calibration time after reset	$t_{CAL}$	484	–	11,696	$t_{BC}$	6)
Total unadjusted error	TUE	–	–	$\pm 2$	LSB	2)
Total capacitance of an analog input	$C_{AINT}$	–	–	15	pF	7)
Switched capacitance of an analog input	$C_{AINS}$	–	–	10	pF	7)
Resistance of the analog input path	$R_{AIN}$	–	–	2	k $\Omega$	7)
Total capacitance of the reference input	$C_{AREFT}$	–	–	20	pF	7)
Switched capacitance of the reference input	$C_{AREFS}$	–	–	15	pF	7)
Resistance of the reference input path	$R_{AREF}$	–	–	1	k $\Omega$	7)

- 1) The specified voltage range is allowed for operation. The range limits may be reached under extreme operating conditions. However, specified parameters, such as leakage currents, refer to the standard operating voltage range of  $V_{DDM} = 4.5 \text{ V}$  to  $5.5 \text{ V}$ .
- 2) TUE is tested at  $V_{AREF} = V_{DDP} + 0.1 \text{ V}$ ,  $V_{AGND} = 0 \text{ V}$ . It is verified by design for all other voltages within the defined voltage range.  
 If the analog reference supply voltage drops below  $4.5 \text{ V}$  (i.e.  $V_{AREF} \geq 4.0 \text{ V}$ ) or exceeds the power supply voltage by up to  $0.2 \text{ V}$  (i.e.  $V_{AREF} = V_{DDP} + 0.2 \text{ V}$ ) the maximum TUE is increased to  $\pm 3 \text{ LSB}$ . This range is not subject to production test.  
 The specified TUE is guaranteed only, if the absolute sum of input overload currents on Port 1 pins (see  $I_{OV}$  specification) does not exceed  $10 \text{ mA}$ , and if  $V_{AREF}$  and  $V_{AGND}$  remain stable during the respective period of time. During the reset calibration sequence the maximum TUE may be  $\pm 4 \text{ LSB}$ .
- 3)  $V_{AIN}$  may exceed  $V_{AGND}$  or  $V_{AREF}$  up to the absolute maximum ratings. However, the conversion result in these cases will be  $X000_H$  or  $X3FF_H$ , respectively.
- 4) The limit values for  $f_{BC}$  must not be exceeded when selecting the peripheral frequency and the ADCTC setting.
- 5) This parameter includes the sample time  $t_s$ , the time for determining the digital result and the time to load the result register with the conversion result ( $t_{SYS} = 1/f_{SYS}$ ).  
 Values for the basic clock  $t_{BC}$  depend on programming and can be taken from [Table 4-7](#).  
 When the post-calibration is switched off, the conversion time is reduced by  $12 \times t_{BC}$ .
- 6) The actual duration of the reset calibration depends on the noise on the reference signal. Conversions executed during the reset calibration increase the calibration time. The TUE for those conversions may be increased.
- 7) Not subject to production test - verified by design/characterization.  
 The given parameter values cover the complete operating range. Under relaxed operating conditions (temperature, supply voltage) reduced values can be used for calculations. At room temperature and nominal supply voltage the following typical values can be used:  
 $C_{AINTyp} = 12 \text{ pF}$ ,  $C_{AINStyp} = 7 \text{ pF}$ ,  $R_{AINTyp} = 1.5 \text{ k}\Omega$ ,  $C_{AREFStyp} = 15 \text{ pF}$ ,  $C_{AREFStyp} = 13 \text{ pF}$ ,  $R_{AREFStyp} = 0.7 \text{ k}\Omega$ .



**Figure 4-1 Equivalent Circuitry for Analog Inputs**

Sample time and conversion time of the CIC751's A/D Converter are programmable. In compatibility mode, the above timing can be calculated using [Table 4-7](#). The limit values for  $f_{BC}$  must not be exceeded when selecting ADCTC.

**Table 4-7 A/D Converter Computation Table<sup>1)</sup>**

ADCON.15 14 (ADCTC)	A/D Converter Basic Clock $f_{BC}$	ADCON.13 12 (ADSTC)	Sample Time $t_S$
00	$f_{SYS} / 4$	00	$t_{BC} \times 8$
01	$f_{SYS} / 2$	01	$t_{BC} \times 16$
10	$f_{SYS} / 16$	10	$t_{BC} \times 32$
11	$f_{SYS} / 8$	11	$t_{BC} \times 64$

1) These selections are available in compatibility mode. An improved mechanism to control the ADC input clock can be selected.

### Converter Timing Example

Assumptions:  $f_{SYS} = 40$  MHz (i.e.  $t_{SYS} = 25$  ns), ADCTC = '01', ADSTC = '00'

Basic clock  $f_{BC} = f_{SYS} / 2 = 20$  MHz, i.e.  
 $t_{BC} = 50$  ns

Sample time  $t_S = t_{BC} \times 8 = 400$  ns

Conversion 10-bit:

With post-calibr.  $t_{C10P} = 52 \times t_{BC} + t_S + 6 \times t_{SYS} = (2600 + 400 + 150)$  ns = 3.15  $\mu$ s

Post-calibr. off  $t_{C10} = 40 \times t_{BC} + t_S + 6 \times t_{SYS} = (2000 + 400 + 150)$  ns = 2.55  $\mu$ s

Conversion 8-bit:

With post-calibr.  $t_{C8P} = 44 \times t_{BC} + t_S + 6 \times t_{SYS} = (2200 + 400 + 150)$  ns = 2.75  $\mu$ s

Post-calibr. off  $t_{C8} = 32 \times t_{BC} + t_S + 6 \times t_{SYS} = (1600 + 400 + 150)$  ns = 2.15  $\mu$ s



## 4.4 AC Characteristics

The internal operation and consequently the timings of the CIC751 are based on the internal system clock  $f_{SYS}$ .

### 4.4.1 Definition of Internal Timing

The system clock signal  $f_{SYS}$  can be generated from the oscillator clock signal  $f_{OSC}$  or from the clock applied to the RCLK pin via different mechanisms. The duration of system clock periods and their variation (and also the derived external timing) depend on the used mechanism to generate  $f_{SYS}$ . This influence must be regarded when calculating the timings for the CIC751.

The used mechanism to generate the system clock is selected by register PLLCON.

#### 4.4.1.1 Prescaler Mode

When Prescaler Mode is configured (SCU\_PLLCON.PLLCTRL = 01<sub>B</sub>) the system clock is derived from the internal oscillator through the P- and K-dividers:

$$f_{SYS} = f_{OSC} / ((SCU\_PLLCON.PDIV+1) \times (SCU\_PLLCON.KDIV+1)).$$

If both divider factors are selected as '1' (SCU\_PLLCON.PDIV = SCU\_PLLCON.KDIV = '0') the frequency of  $f_{SYS}$  directly follows the frequency of  $f_{OSC}$  so the high and low time of  $f_{SYS}$  is defined by the duty cycle of the input clock  $f_{OSC}$ .

The lowest system clock frequency is achieved by selecting the maximum values for both divider factors:

$$f_{SYS} = f_{OSC} / ((3+1) \times (14+1)) = f_{OSC} / 60.$$

#### 4.4.1.2 Phase Locked Loop (PLL)

When PLL operation is configured (SCU\_PLLCON.PLLCTRL = 11<sub>B</sub>) the on-chip phase locked loop is enabled and provides the system clock. The PLL multiplies the input frequency by the factor F ( $f_{SYS} = f_{OSC} \times F$ ) which results from the input divider, the multiplication factor, and the output divider ( $F = SCU\_PLLCON.NDIV+1 / (SCU\_PLLCON.PDIV+1 \times SCU\_PLLCON.KDIV+1)$ ). The PLL circuit synchronizes the system clock to the input clock. This synchronization is done smoothly, i.e. the system clock frequency does not change abruptly.

Due to this adaptation to the input clock the frequency of  $f_{SYS}$  is constantly adjusted so it is locked to  $f_{OSC}$ . The slight variation causes a jitter of  $f_{SYS}$  which also affects the duration of individual TCMs.

The actual minimum value for TCM depends on the jitter of the PLL. As the PLL is constantly adjusting its output frequency so it corresponds to the applied input frequency the relative deviation for periods of more than one TCM is lower than for one single TCM (see formula and [Figure 4-2](#)).

This is especially important for the operation of timers, serial interfaces, etc. For all slower operations and longer periods (e.g. pulse train generation or measurement, lower baudrates, etc.) the deviation caused by the PLL jitter is negligible.

The value of the accumulated PLL jitter depends on the number of consecutive VCO output cycles within the respective time frame. The VCO output clock is divided by the output prescaler ( $K = SCU\_PLLCON.KDIV+1$ ) to generate the system clock signal  $f_{SYS}$ . Therefore, the number of VCO cycles can be represented as  $K \times N$ , where  $N$  is the number of consecutive  $f_{SYS}$  cycles (TCM).

For a period of  $N_N \times TCM$  the accumulated PLL jitter is defined by the deviation D:

$$D_N [\text{ns}] = \pm(1.5 + 6.32 \times N / f_{SYS}); f_{SYS} \text{ in [MHz]}, N = \text{number of consecutive TCMs.}$$

So, for a period of 3 TCMs @ 20 MHz and  $K = 12$ :  $D_3 = \pm(1.5 + 6.32 \times 3 / 20) = 2.448 \text{ ns}$ .

This formula is applicable for  $K \times N < 95$ . For longer periods the  $K \times N = 95$  value can be used. This steady value can be approximated by:  $D_{N_{max}} [\text{ns}] = \pm(1.5 + 600 / (K \times f_{SYS}))$ .

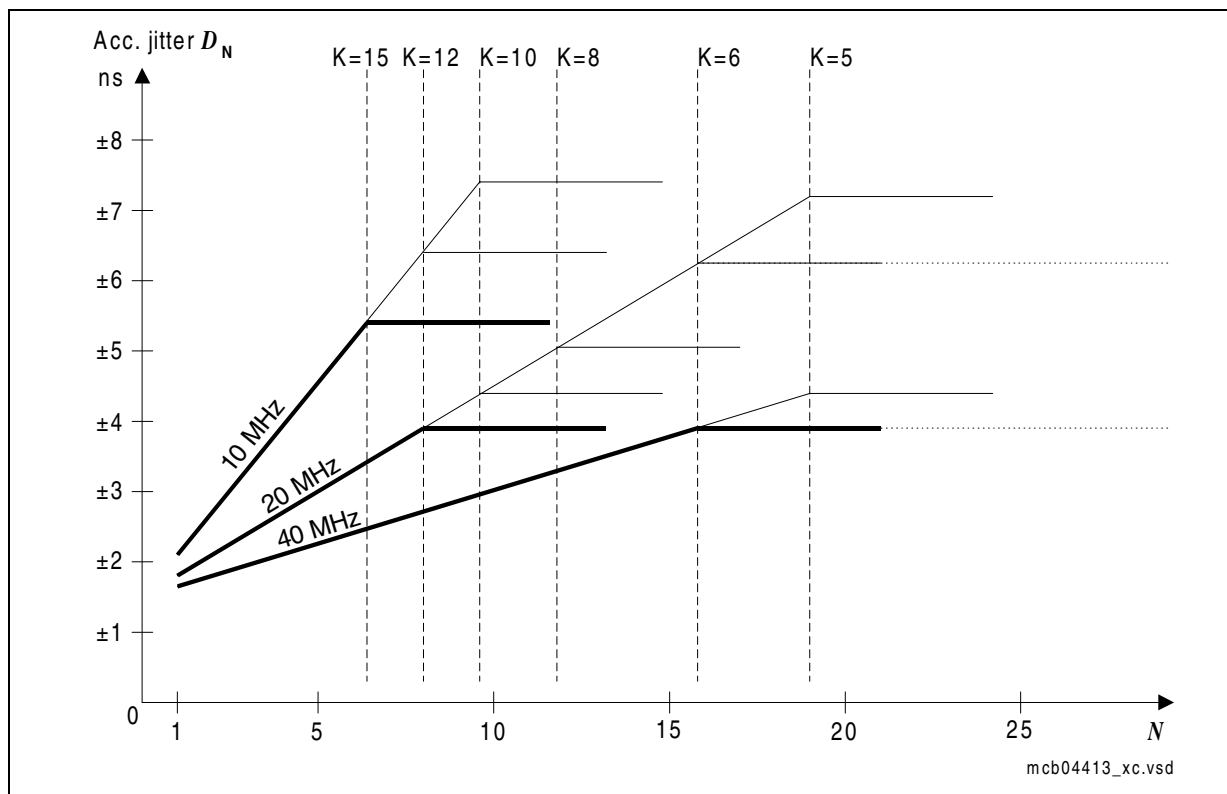


Figure 4-2 Approximated Accumulated PLL Jitter

Note: The bold lines indicate the minimum accumulated jitter which can be achieved by selecting the maximum possible output prescaler factor K.

Different frequency bands can be selected for the VCO, so the operation of the PLL can be adjusted to a wide range of input and output frequencies:

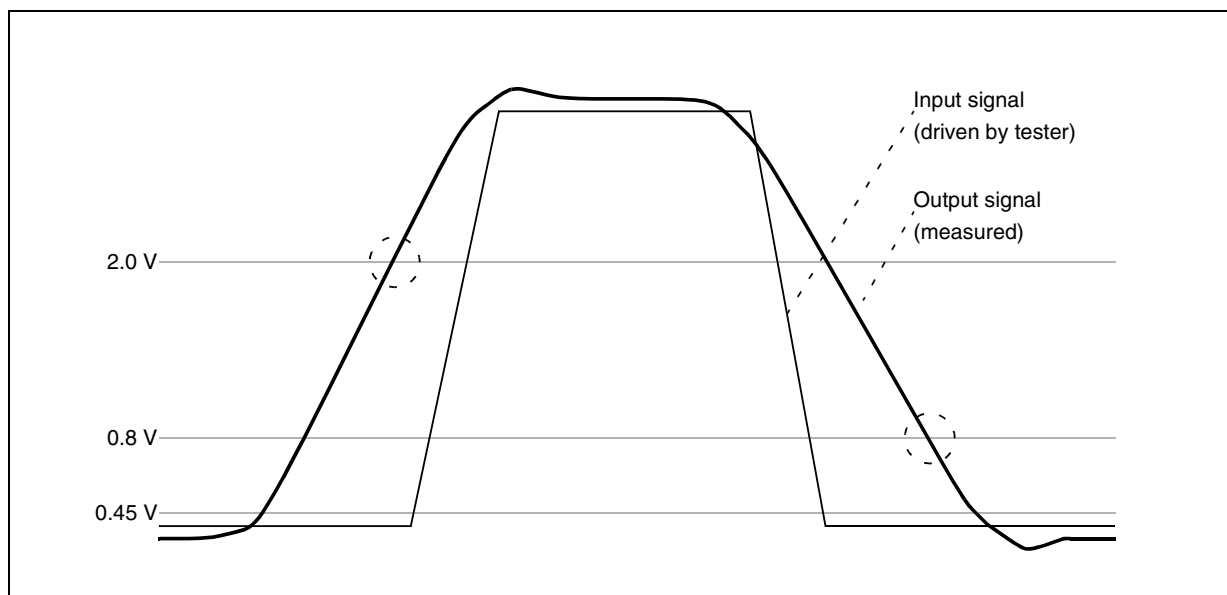
**Table 4-8 VCO Bands for PLL Operation<sup>1)</sup>**

PLLCON.PLLVB	VCO Frequency Range	Base Frequency Range
00	100 ... 150 MHz	20 ... 80 MHz
01	150 ... 200 MHz	40 ... 130 MHz
10	200 ... 250 MHz	60 ... 180 MHz
11	Reserved	

1) Not subject to production test - verified by design/characterization.

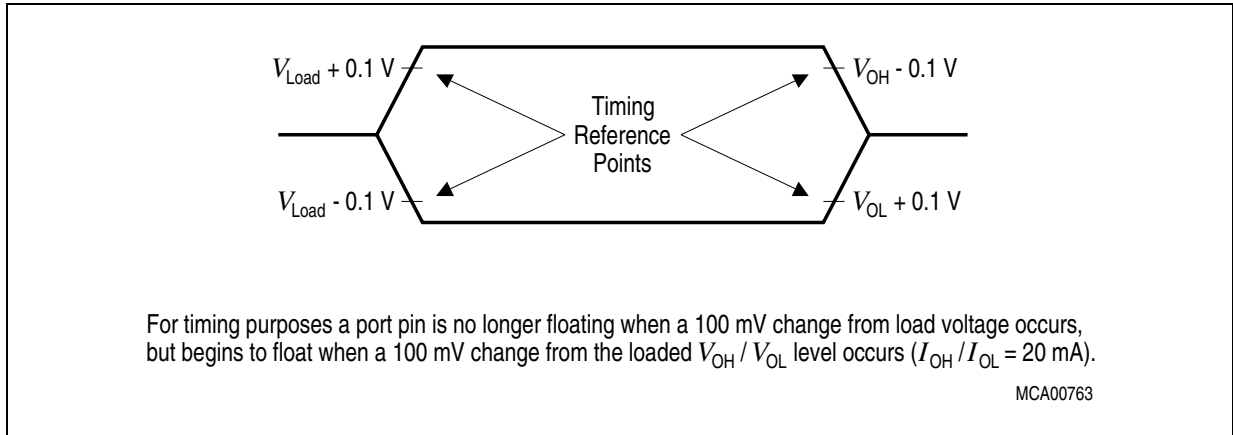
### 4.4.2 Testing Waveforms of the digital input/output signals

The relation between a real and the ideal digital waveform, together with the characteristically measurement levels is shown below.



**Figure 4-3 Input Output Waveforms**

The figure below shows the transition between an actively driven digital output level and three-state (input state).



**Figure 4-4 Float Waveforms**

### 4.4.3 Output Rise and Fall Times

The Output Rise/Fall time of a GPIO is  $t_r = t_f = 14\text{ ns}$ , at  $C_L = 50\text{ pF}$ .

### 4.4.4 Power Sequencing

The CIC751 device needs two power supply voltages: digital ports power supply voltage  $V_{DDP}$ , analog supply voltage  $V_{DDM}$ . The digital core supply voltage  $V_{DDC}$  is derived from  $V_{DDP}$  by embedded voltage regulator of the CIC751. The following section defines the time and voltage constraints and relations between these two power supplies that have to be satisfied at power up and power down of the device.

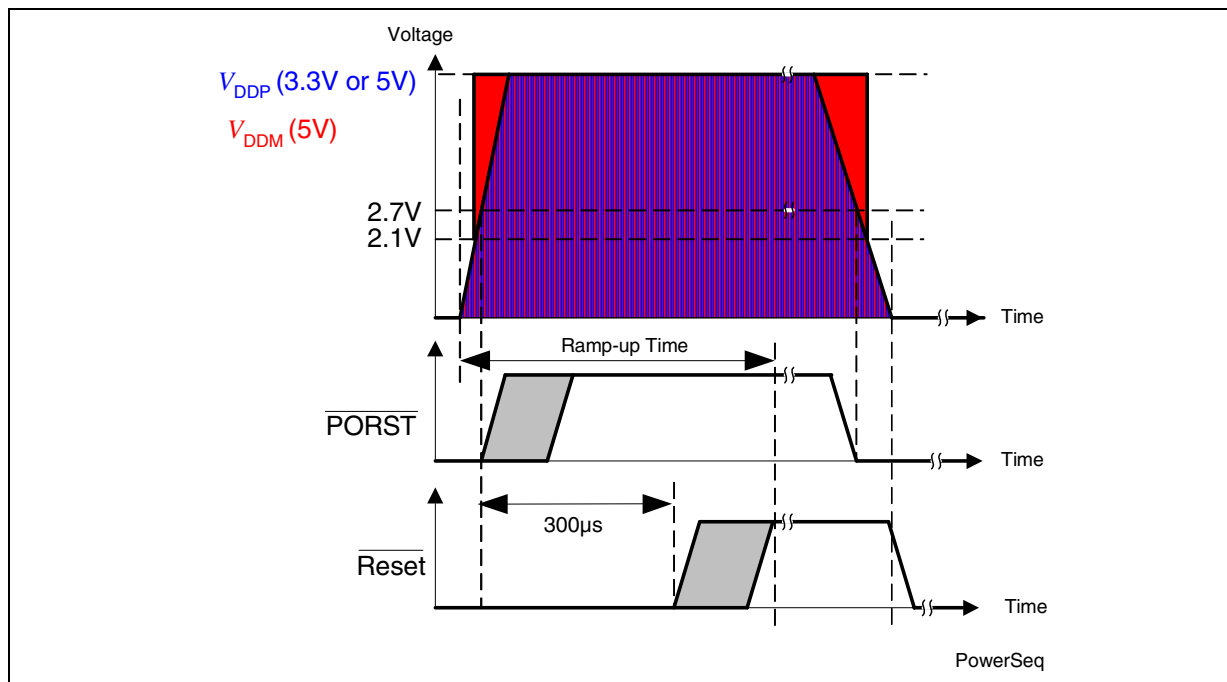
**Figure 4-5** describes the requirements that the external power supplies  $V_{DDP}$ , and  $V_{DDM}$  must satisfy in order to provide the correct operation of the device.

The following rules should be applied in order to guarantee a stable power-up behavior:

- The active  $\overline{\text{PORST}}$  should not be released before  $V_{DDP}$  reached 2.7 V
- At any time it is not allowed that  $V_{DDM} > V_{DDP}$  if  $V_{DDP} < 2.1$  V.

The second rule can be violated (without operation lifetime reduction) if instead the following conditions are not violated:

- The external resistor on the Analog Inputs AIN0 to AIN15 has to be equal or greater than 2 K $\Omega$
- The accumulated time the second rule is violated is less than 4 % of the total product operation lifetime.



**Figure 4-5 Power-up Sequence**

**Table 4-9 Ramp-up Times**

<b>Case</b>	<b>Time</b>
Ramp-up after a power-on event	max. 500 $\mu$ s
Ramp-up after a reset event	max. 450 $\mu$ s

#### 4.4.5 Timing Parameters

Peripheral timing parameters are not subject to production test. They are verified by design/characterization.

##### 4.4.5.1 Micro Link Interface (MLI) Timing

The timing of the MLI handshake signals refer to the system clock frequency  $f_{SYS}$ . This frequency is the base for the generation of the MLI baud rate  $f_{TCLK}$ .

**Table 4-10 MLI Timing ( $V_{SS} = 0\text{ V}$ ;  $f_{MLI} \leq 40\text{ MHz}$   
 $V_{DDP} = 3.13\text{ to }3.47\text{ V}$ ;  $T_A = -40\text{ }^\circ\text{C to }+125\text{ }^\circ\text{C}$ ;  $C_L = 50\text{ pF}$ )**

Parameter	Symbol	Values			Unit	Note / Test Condition
		Min.	Typ.	Max.		
TCLK clock period	$t_{10}$	$2 * t_{SYS}$	–	–	ns	$t_{SYS} = 1 / f_{SYS}$
TCLK high period	$t_{11}$	20%	50%	80%	$t_{10}$	
TCLK low period	$t_{12}$	20%	50%	80%	$t_{10}$	
TCLK rise time	$t_{13}$	–	–	35%	$t_{10}$	
TCLK fall time	$t_{14}$	–	–	35%	$t_{10}$	
TDATA and TVALID setup time to TCLK raising edge	$t_{20}$	–	–	10%	$t_{10}$	
TDATA and TVALID hold time to TCLK raising edge	$t_{21}$	–	–	10%	$t_{10}$	
TREADY setup time to TCLK raising edge <sup>1)</sup>	$t_{30}$	10%	–	–	$t_{10}$	
TREADY hold time to TCLK raising edge <sup>2)</sup>	$t_{31}$	10%	–	–	$t_{10}$	
RCLK clock period	$t_{40}$	$< 2 * t_{SYS}$	–	–	ns	$t_{SYS} = 1 / f_{SYS}$
RCLK high period	$t_{41}$	20%	50%	80%	$t_{40}$	
RCLK low period	$t_{42}$	20%	50%	80%	$t_{40}$	
RCLK rise time	$t_{43}$	–	–	35%	$t_{40}$	
RCLK fall time	$t_{44}$	–	–	35%	$t_{40}$	
RDATA and RVALID setup time to RCLK falling edge	$t_{50}$	10%	–	–	$t_{40}$	

**Table 4-10 MLI Timing ( $V_{SS} = 0\text{ V}$ ;  $f_{MLI} \leq 40\text{ MHz}$   
 $V_{DDP} = 3.13\text{ to }3.47\text{ V}$ ;  $T_A = -40\text{ }^\circ\text{C to }+125\text{ }^\circ\text{C}$ ;  $C_L = 50\text{ pF}$ )**

Parameter	Symbol	Values			Unit	Note / Test Condition
		Min.	Typ.	Max.		
RDATA and RVALID hold time to RCLK falling edge	$t_{51}$	10%	–	–	$t_{40}$	
RREADY setup time to RCLK falling edge <sup>3)</sup>	$t_{60}$	50%	–	–	$t_{40}$	
RREADY hold time to RCLK falling edge <sup>4)</sup>	$t_{61}$	–	–	50%	$t_{40}$	

- 1) Referring to the TCLK edge when TVALID becomes 0 and the TCLK edge when the ready delay time elapses.
- 2) Referring to the TCLK edge when TVALID becomes 0 and the TCLK edge when the ready delay time elapses.
- 3) Referring to the former value at the RCLK edge when RVALID changes.
- 4) Referring to the new value at the RCLK edge when RVALID changes.



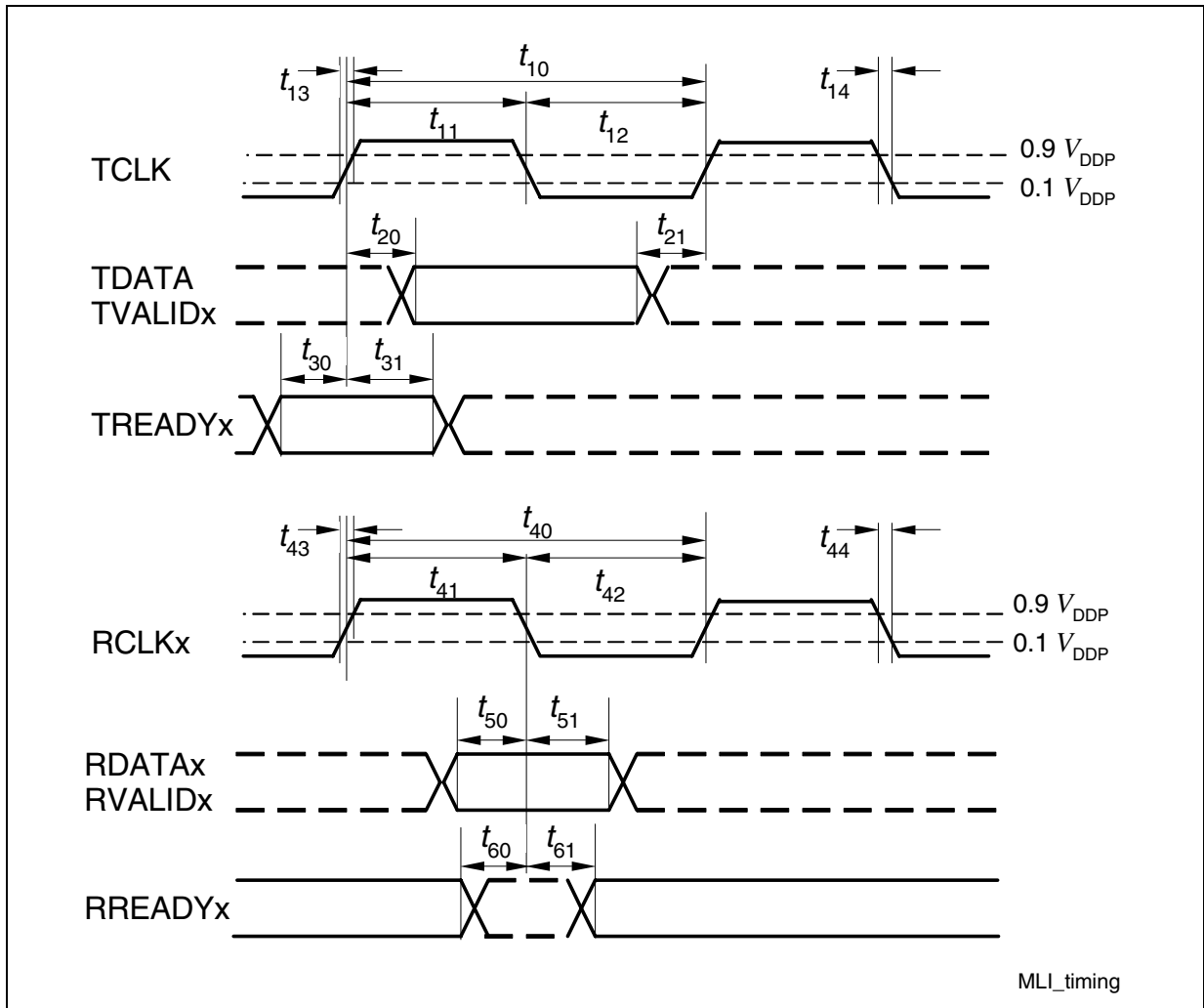


Figure 4-6 MLI Timing

#### 4.4.6 Synchronous Serial Channel (SSC) Slave Mode Timing

The timing of the Synchronous Serial Channel in slave mode is defined below.

**Table 4-11 SSC Timing (VSS = 0 V;  $f_{SSC} \leq 40\text{MHz}$   
VDDP = 3.13 to 3.47 V (Class A); TA = -40 °C to +125 °C; CL = 50 pF)**

Parameter	Symbol	Values			Unit	Note / Test Condition
		Min.	Typ.	Max.		
SCLK clock period	$t_{20}$ CC	$T_{SSC}$		–	ns	
MRST delay from SCLK Rising/Falling Edge from SCLK RE (CON.PO,CON.PH = 00) from SCLK FE (CON.PO,CON.PH = 10)	$t_{21}$ CC	4		12	ns	
MRST hold from SLS Rising Edge	$t_{26}$ CC	–		14	ns	
MISR setup to SCLK Rising/Falling Edge to SCLK RE (CON.PO,CON.PH = 00) to SCLK FE (CON.PO,CON.PH = 10)	$t_{22}$ SR	0		–	ns	
MISR hold from SCLK Rising/Falling Edge from SCLK RE (CON.PO,CON.PH = 00) from SCLK FE (CON.PO,CON.PH = 10)	$t_{23}$ SR	$2 + T_{SSC}$		–	ns	
SLSI lead delay from SCLK Rising/Falling Edge from SCLK RE (CON.PO,CON.PH = 00) from SCLK FE (CON.PO,CON.PH = 10)	$t_{24}$ SR	6		–	ns	1)
RDY lead delay to SLS RE	$t_{25}$ CC	13		15	ns	
SLS hold from RDY RE	$t_{27}$ SR	4		–	ns	

1) This is only valid if SSC move engine is idle (RDY = 1).

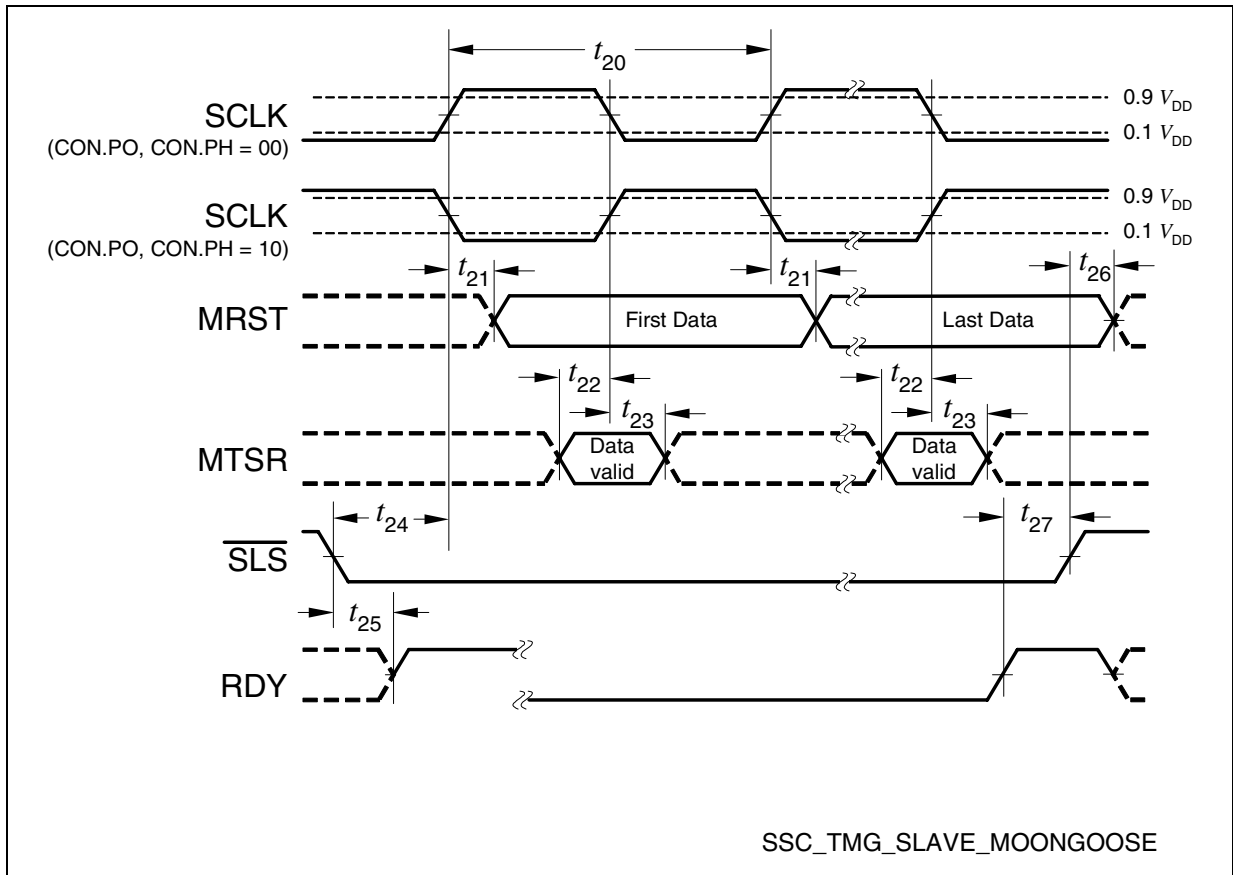


Figure 4-7 SSC Slave Mode Timing

## 4.5 Package and Reliability

This chapter defines the parameters related to the Package and Reliability of the device.

### 4.5.1 Packaging

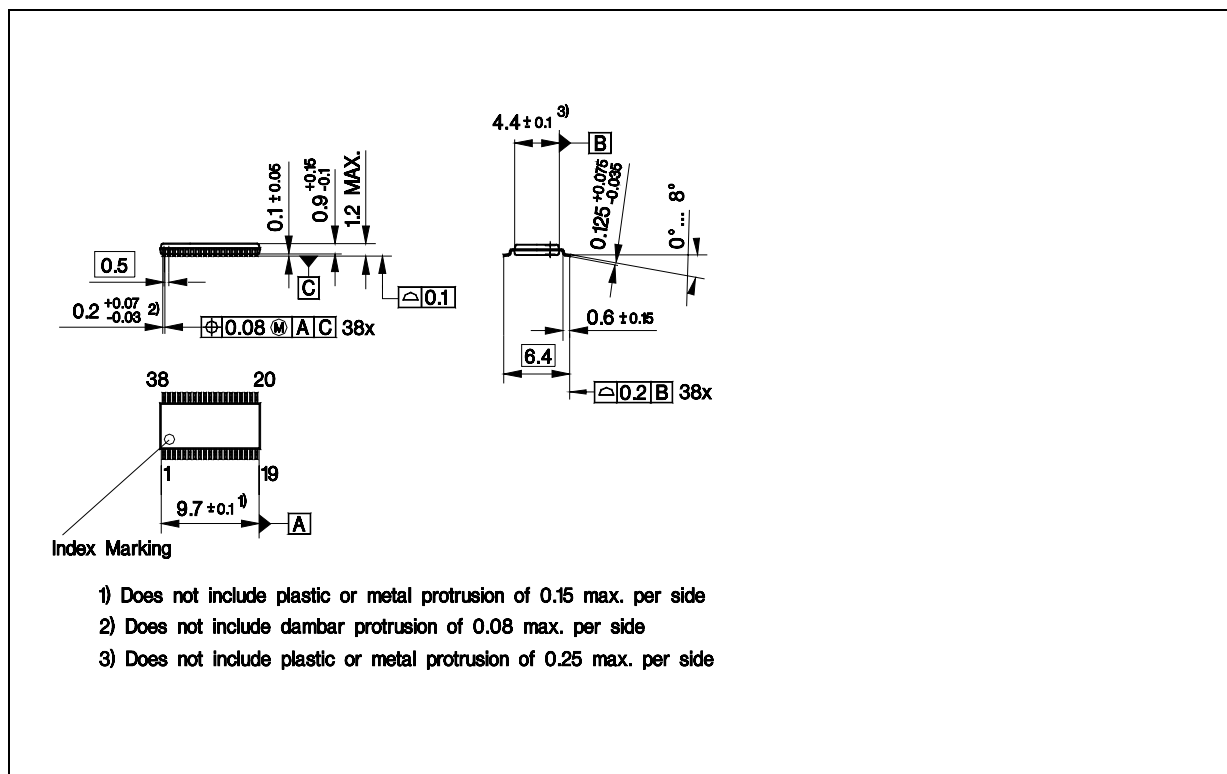
The parameters of the package of the CIC751 are defined below.

**Table 4-12 Package Parameters (P/PG-TSSOP-38)**

Parameter	Symbol	Limit Values		Unit	Notes
		Min.	Max.		
Power dissipation	$P_{DISS}$	–	tbd.	W	–
Thermal resistance	$R_{THJA}$	–	59	K/W	Chip-Ambient

### 4.5.2 Package Outlines

The physical characteristics of the package are described below.



**Figure 4-8 Package Outlines for P/PG-TSSOP-38**

### 4.5.3 Quality Declarations

The following chapter defines some quality parameters of CIC751.

**Table 4-13 Quality Parameters**

Parameter	Symbol	Limit Values		Unit	Notes
		Min.	Max.		
Operation Lifetime	$t_{OP}$	–	18000	hours	at average weighted junction temperature $T_J = 116^\circ\text{C}$ (ambient temperature $T_A = 102^\circ\text{C}$ )
		–	24000 <sup>1)</sup>	hours	at average weighted junction temperature $T_J = 106^\circ\text{C}$ (ambient temperature $T_A = 92^\circ\text{C}$ )
Life Expectancy	$t_B$	20	–	years	
ESD susceptibility according to Human Body Model (HBM)	$V_{HBM}$	–	2000	V	Conforming to EIA/JESD22-A114-B
ESD susceptibility according to Socketed Device Model (SDM)	$V_{SDM}$	–	500	V	Conforming to ESDA Std DS5.3-1993
Moisture Sensitivity Level (MSL)	–	–	3	–	Conforming to Jedec J-STD-020C for $240^\circ\text{C}$

1) One example of a detailed temperature profile is:

- 1200 hours at  $T_J = 140^\circ\text{C}$  ( $T_A = 125^\circ\text{C}$ )
- 3600 hours at  $T_J = 115^\circ\text{C}$  ( $T_A = 100^\circ\text{C}$ )
- 7200 hours at  $T_J = 100^\circ\text{C}$  ( $T_A = 85^\circ\text{C}$ )
- 12000 hours at  $T_J = 90^\circ\text{C}$  ( $T_A = 75^\circ\text{C}$ )

*Note: Information about soldering can be found on the “package” information page under: <http://www.infineon.com/products>.*

w w w . i n f i n e o n . c o m

Published by Infineon Technologies AG