

NB4N7132

Link Replicator for Fibre Channel, Gigabit Ethernet, HDTV and SATA

Up to 1.5 Gb/s

Description

The NB4N7132 is a high performance 3.3 V Serial Link Replicator which provides the function of serial loop replication and serial loopback control commonly required in Fibre Channel, GbE, HDTV and SATA applications. Other popular applications include Host Bus Adaptors for routing between internal and external connectors, and hot-pluggable links between redundant switch fabric cards.

IN is sent to both OUT0 and OUT1; each output is enabled by OE0 and OE1 when HIGH. OUT0 can select either IN or IN1 via the MUX0 pin. Likewise, OUT1 can select between IN or IN0 via the MUX1 pin. Out can select between IN0 and IN1.

In Link Replicator applications, such as the Line Card to Switch Card links, IN is transmitted to both OUT0 and OUT1 which either IN0 or IN1 is selected at OUT. In Host Adapter applications, IN goes to OUT0 (an internal connector) which returns data on IN0. IN0 is looped to OUT1 (an external connector) which returns data on IN1 and then back to the SerDes on OUT.

The NB4N7132 is packaged in a 4.7 mm x 9.7 mm TSSOP-28.

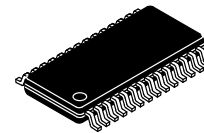
Features

- Replicates Fibre Channel, Gigabit Ethernet, HDTV, and Serial ATA (SATA) Links
- T11 Fibre Channel Compliant at 1.0625 Gb/s
- No External Components Required
- IEEE802.3z Gigabit Ethernet Compliant at 1.25 Gb/s
- SMPTE-292M Compliant at 1.485 Gb/s
- 450 mW Maximum Power Dissipation
- Operating Range: $V_{CC} = 3.135\text{ V to }3.465\text{ V}$
- 28-pin, 4.4 mm x 9.7 mm TSSOP Package
- These are Pb-Free Devices



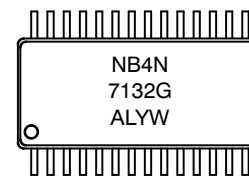
ON Semiconductor®

<http://onsemi.com>



28 Lead TSSOP
DT SUFFIX
CASE 948A

MARKING DIAGRAM*



A = Assembly Location
L = Wafer Lot
Y = Year
W = Work Week
G = Pb-Free Package

*For additional marking information, refer to Application Note AND8002/D.

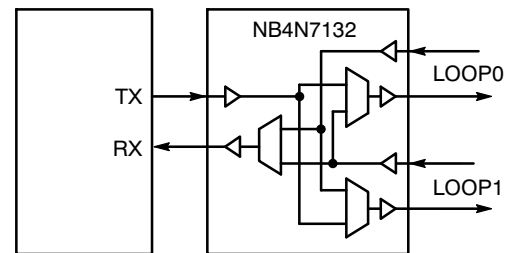


Figure 1. Simplified Application

ORDERING INFORMATION

See detailed ordering and shipping information in the package dimensions section on page 5 of this data sheet.

NB4N7132

TYPICAL APPLICATIONS CIRCUIT

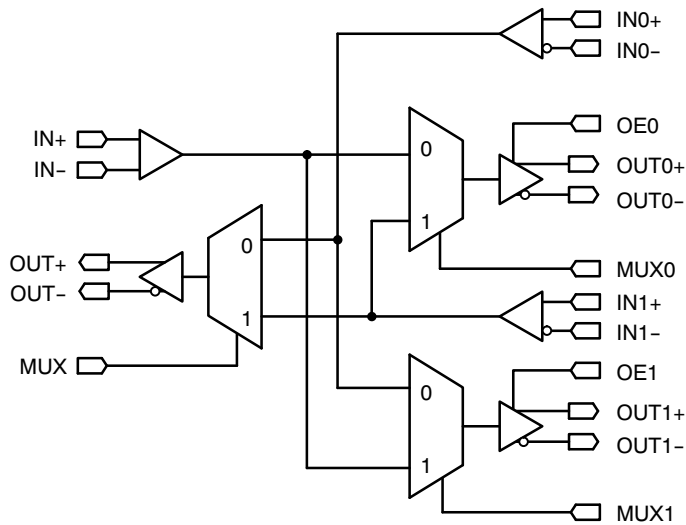


Figure 2. Simplified Block Diagram

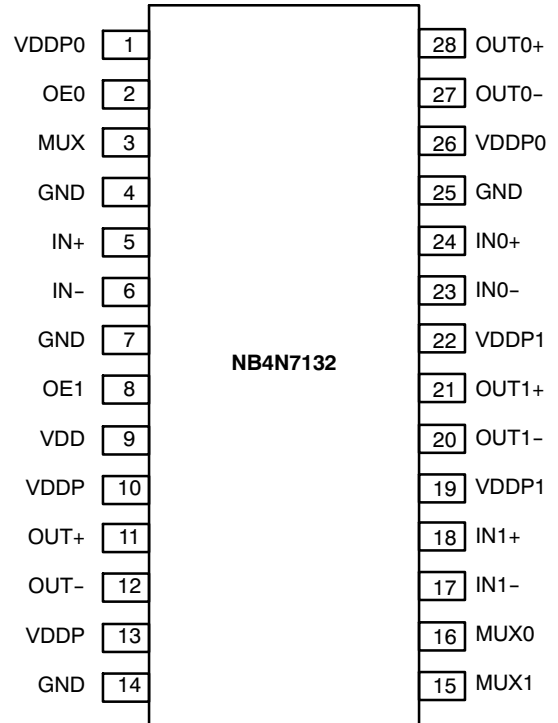


Figure 3. Pin Diagram for TSSOP-28

Table 1. OE, OUTPUT ENABLE FUNCTION

| OEx* | Function |
|------|---------------------------------------|
| 1 | Outputs Enabled |
| 0 | Outputs Disabled OUTn+ = H, OUTn- = H |

*Defaults to HIGH when left open

Table 2. PIN DESCRIPTION

| Pin | Name | I/O | Description |
|----------------------------|--|---|---|
| 5, 6 24, 23 18, 17 | IN+, IN- IN0+, IN0- IN1+, IN1- | LVPECL Input LVPECL Input LVPECL Input | Non-inverted, Inverted, Differential Data Inputs internally biased to Approximately 1.2 V. |
| 11, 12 28, 27 21, 20 | OUT+, OUT- OUT0+, OUT0- OUT1+, OUT1- | LVPECL Output LVPECL Output LVPECL Output | Non-inverted, Inverted Differential Outputs. |
| 2 8 | OE0 OE1 | LVTTTL Input LVTTTL Input | OE0/OE1 enables OUT0/OUT1 when HIGH. When LOW, OUTx are powered down and both OUT+ and OUT- float HIGH. |
| 3 | MUX | LVTTTL Input | Selects Source for OUT, Selects Either IN0 (LOW) or IN1 (HIGH); defaults HIGH when left open. |
| 15 | MUX1 | LVTTTL Input | Selects Source for OUT1. Selects Either IN (HIGH) or IN0 (LOW); defaults HIGH when left open. |
| 16 | MUX0 | LVTTTL Input | Selects Source for OUT0. Selects either IN (LOW) or IN1 (HIGH); defaults HIGH when left open. |
| 9 | VDD | Power Supply | 3.3 V Positive Supply Voltage for Digital Logic. |
| 10, 13 1, 26 19, 22 | VDDP VDDP0 VDDP1 | Power Supply | 3.3 V supply for LVPECL output drivers. VDDP is for OUT, VDDP0 is for OUT0, and VDDP1 is for OUT1. |
| 4, 7, 14, 25 | GND | Power Supply | Negative Supply Voltage, Connected to Ground |

All VDD, VDDPx and GND Pins must be externally connected to appropriate power supply to guarantee proper operation.

NB4N7132

Table 3. ATTRIBUTES

| Characteristics | Value |
|--|-----------------------------------|
| Internal Input Pullup Resistor | 96 kΩ |
| ESD Protection | Human Body Model Machine Model |
| | > 1 kV > 100 V |
| Moisture Sensitivity (Note 1) | Level 3 |
| Flammability Rating | Oxygen Index: 28 to 34 |
| | UL 94 V-0 @ 0.125 in |
| Transistor Count | 268 Devices |
| Meets or exceeds JEDEC Spec EIA/JESD78 IC Latchup Test | |

1. For additional information, see Application Note AND8003/D.

Table 4. MAXIMUM RATINGS

| Symbol | Parameter | Condition 1 | Min | Max | Unit |
|------------------|--|--------------------|----------|-----------------------|--------------|
| V _{DD} | Positive Power Supply | GND = 0 V | 0.5 | 4.0 | V |
| V _{INP} | Input Voltage, PECL | GND = 0 V | -0.5 | V _{DD} + 0.5 | V |
| V _{INT} | Input Voltage, TTL | GND = 0 V | -0.5 | V _{DD} + 0.5 | V |
| I _{OUT} | Output HIGH current, PECL | | -50 | +50 | mA |
| T _C | Case temperature under bias | | -55 | +125 | °C |
| TA | Operating Temperature Range | | -40 | +85 | °C |
| T _{stg} | Storage Temperature Range | | -65 | +150 | °C |
| θ _{JA} | Thermal Resistance (Junction-to-Ambient) | 0 lfpm 500 lfpm | TSSOP-28 | 76 60 | °C/W °C/W |
| θ _{JC} | Thermal Resistance (Junction-to-Case) | (Note 2) | TSSOP-28 | 25 | °C/W |
| T _{sol} | Wave Solder | Pb-Free | | 265 | °C |

Stresses exceeding Maximum Ratings may damage the device. Maximum Ratings are stress ratings only. Functional operation above the Recommended Operating Conditions is not implied. Extended exposure to stresses above the Recommended Operating Conditions may affect device reliability.

2. JEDEC standard multilayer board – 2S2P (2 signal, 2 power).

NB4N7132

Table 5. DC CHARACTERISTICS $V_{DD} = 3.30\text{ V} \pm 5\%$, $GND = 0\text{ V}$; $T_A = -40^\circ\text{C}$ to $+85^\circ\text{C}$

| Symbol | Characteristic | Min | Typ | Max | Unit |
|--------------------|---|------|-----|------|------|
| V_{DD} | Power Supply Voltage, $3.30\text{ V} \pm 5\%$ | 3.14 | | 3.47 | V |
| I_{DD} | Power Supply Current (Outputs open) | | 105 | 125 | mA |
| P_D | Power Dissipation; Outputs Open; $V_{DD} = V_{DDmax}$ | | | 450 | mW |
| ΔV_{IN} | Receiver Differential Voltage Amplitude; (IN, IN0, IN1), AC-Coupled, Internally Biased to 1.2 V; Differential Measurement - ($V_{INn+} - V_{INn-}$) | 300 | | 2600 | mV |
| ΔV_{OUT50} | Output Differential Voltage Swing, peak-peak; (OUT, OUT0, OUT1) Outputs loaded / terminated with $50\ \Omega$ to $V_{DD} - 2.0\text{ V}$ Differential Measurement - ($V_{OUTn+} - V_{OUTn-}$) | 1000 | | 2200 | mV |
| ΔV_{OUT75} | Output Differential Voltage Swing, peak-peak; (OUT, OUT0, OUT1) Outputs loaded / terminated with $75\ \Omega$ to $V_{DD} - 2.0\text{ V}$ Differential Measurement - ($V_{OUTn+} - V_{OUTn-}$) | 1200 | | 2200 | mV |

LVCMOS/LVTTL INPUTS

| | | | | | |
|----------|--|------|--|----------------|---------------|
| V_{IH} | Input HIGH Voltage, TTL | 2.0 | | $V_{DD} + 0.5$ | V |
| V_{IL} | Input LOW Voltage, TTL | 0 | | 0.8 | V |
| I_{IH} | Input HIGH Current, TTL; $V_{IN} = 2.4\text{ V}$ | | | 100 | μA |
| I_{IL} | Input LOW Current, TTL; $V_{IN} = 0.5\text{ V}$ | -100 | | | μA |

NOTE: Device will meet the specifications after thermal equilibrium has been established when mounted in a test socket or printed circuit board with maintained transverse airflow greater than 500 lpm. Electrical parameters are guaranteed only over the declared operating temperature range. Functional operation of the device exceeding these conditions is not implied. Device specification limit values are applied individually under normal operating conditions and not valid simultaneously.

Table 6. AC CHARACTERISTICS $V_{DD} = 3.3\text{ V} \pm 5\%$, $GND = 0\text{ V}$ -40°C to $+85^\circ\text{C}$

| Symbol | Characteristic | Min | Typ | Max | Unit |
|--------------|--|-----|-------|-----|----------|
| f_{IN}/OUT | Input / Output Frequency Range | 1.0 | | 1.5 | Gb/s |
| t_r/t_f | Output rise and Fall Times (Note 3) | | 140 | 175 | ps |
| t_{PD} | Propagation Delay, IN to OUT | | 0.375 | 4.0 | ns |
| T_{DJ} | Deterministic Jitter Added to Serial Input Up to 1.5 Gb/s; K28.5 \pm Pattern | | | 40 | ps pk-pk |

NOTE: Device will meet the specifications after thermal equilibrium has been established when mounted in a test socket or printed circuit board with maintained transverse airflow greater than 500 lpm. Electrical parameters are guaranteed only over the declared operating temperature range. Functional operation of the device exceeding these conditions is not implied. Device specification limit values are applied individually under normal operating conditions and not valid simultaneously.

3. Measured 20% to 80%

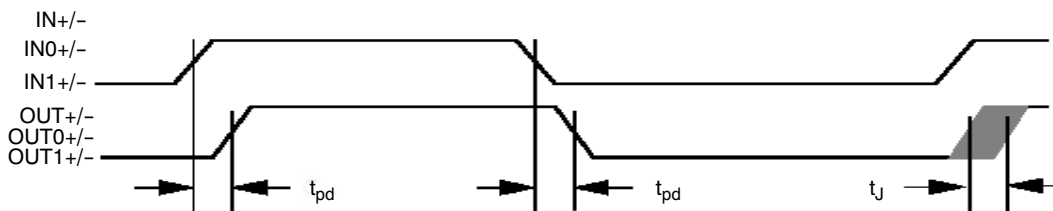


Figure 4. Timing Waveforms

NB4N7132

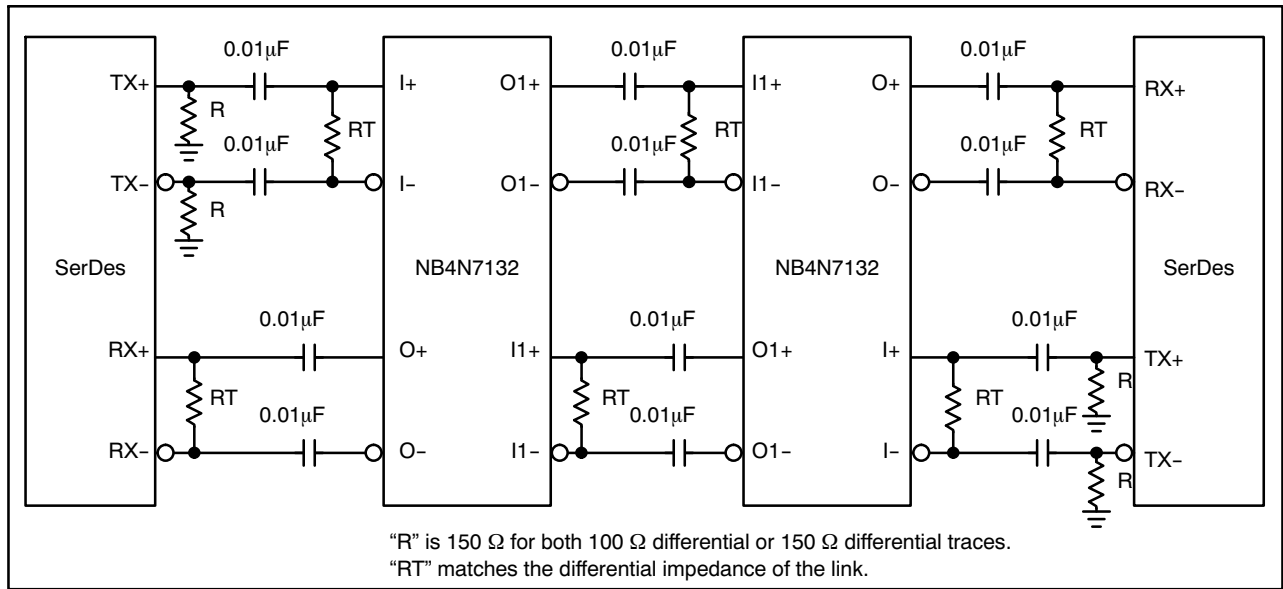


Figure 5. NB4N7132 Application Interface Example

IN+ / IN- Input Functionality

The differential inputs are internally biased to ~ 1.2 V. In a typical application, the differential inputs are capacitor-coupled and will swing symmetrically above and below 1.2 V, preserving a 50% duty cycle to the outputs.

With this technique, the NB4N7132 will accept any differential input allowing for LVPECL, CML, LVDS, and HSTL input levels.

OUT+ / OUT- Outputs

The OUT+ and OUT- outputs of the NB4N7132 are designed to drive differential transmission lines with nominally 50 Ω or 75 Ω characteristic impedance. These differential output buffers utilize positive emitter coupled logic (PECL) architecture, but they do not require DC output load resistors, and will operate properly with or without the resistors.

OEx Output Enable

The NB4N7132 incorporates output enable pins, OE0 and OE1, that work by powering down the output buffer and associated driving circuitry. Using this approach results in both differential outputs going HIGH, and a reduction in I_{DD} current of approx. 29 mA for each disabled output pair.

When OEx is LOW, outputs are disabled, OUTx+ and OUTx- are set HIGH.

Power Supply Bypass information

A clean power supply will optimize the performance of the device. The NB4N7132 provides separate power supply pins for the digital circuitry (V_{DD}) and LVPECL outputs (V_{DDPn}). Placing a bypass capacitor of 0.01 μ F to 0.1 μ F on each VDD pin will help ensure a noise free V_{DD} power supply. The purpose of this design technique is to try and isolate the high switching noise of the digital outputs from the relatively sensitive digital core logic.

Resource Reference of Application Notes

- AND8002** - Marking and Date Codes
- AND8009** - ECLinPS Plus Spice I/O Model Kit

ORDERING INFORMATION

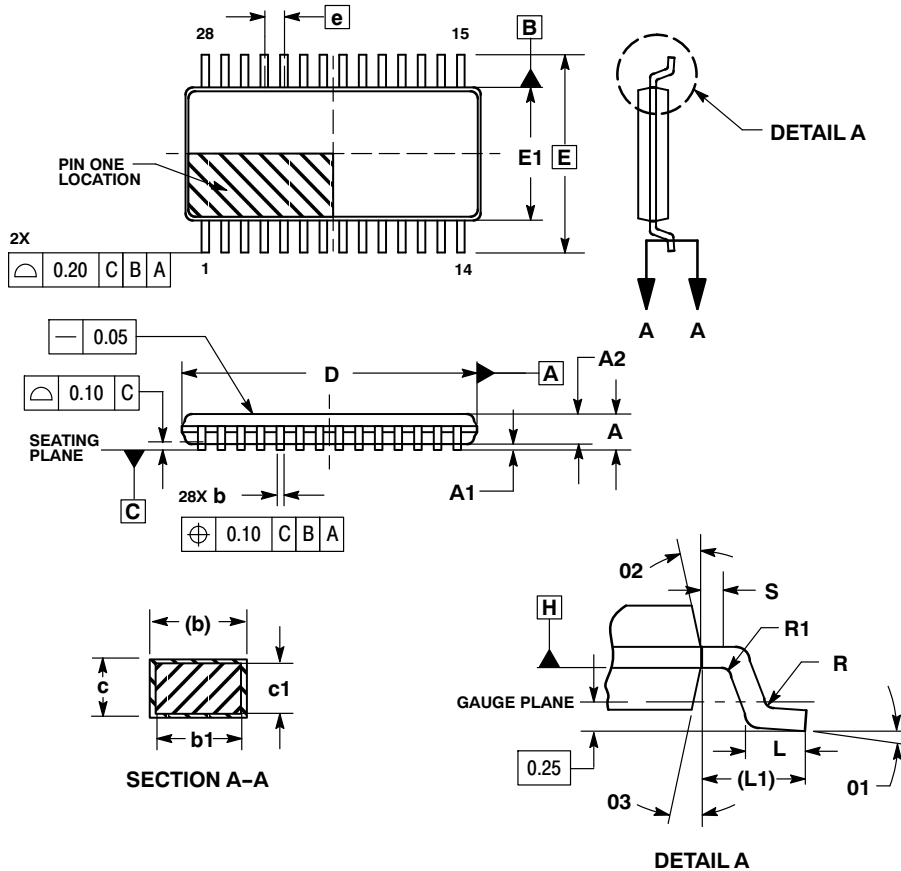
| Device | Package | Shipping [†] |
|---------------|-----------------------|-----------------------|
| NB4N7132DTG | TSSOP-28 (Pb-Free) | 50 Units / Rail |
| NB4N7132DTR2G | TSSOP-28 (Pb-Free) | 2500 / Tape & Reel |

[†]For information on tape and reel specifications, including part orientation and tape sizes, please refer to our Tape and Reel Packaging Specifications Brochure, BRD8011/D.

NB4N7132

PACKAGE DIMENSIONS

28 LEAD TSSOP
DT SUFFIX
CASE 948AA-01
ISSUE O



NOTES:

1. DIMENSIONS AND TOLERANCING PER ASME Y14.5M, 1994.
2. DIMENSIONS IN MILLIMETERS.
3. DIMENSION b DOES NOT INCLUDE DAMBAR PROTRUSION. ALLOWABLE DAMBAR PROTRUSION SHALL BE 0.08 MM TOTAL IN EXCESS OF THE "b" DIMENSION AT MAXIMUM MATERIAL CONDITION.
4. DATUMS A AND B TO BE DETERMINED AT DATUM PLANE H.

| MILLIMETERS | | |
|-------------|----------|------|
| DIM | MIN | MAX |
| A | --- | 1.20 |
| A1 | 0.05 | 0.15 |
| A2 | 0.80 | 1.05 |
| b | 0.19 | 0.30 |
| b1 | 0.19 | 0.25 |
| c | 0.09 | 0.20 |
| c1 | 0.09 | 0.16 |
| D | 9.60 | 9.80 |
| E | 6.40 BSC | |
| E1 | 4.30 | 4.50 |
| e | 0.65 BSC | |
| L | 0.45 | 0.75 |
| L1 | 1.00 REF | |
| R | 0.09 | --- |
| R1 | 0.09 | --- |
| S | 0.20 | --- |
| 01 | 0° | 8° |
| 02 | 12° REF | |
| 03 | 12° REF | |

ON Semiconductor and are registered trademarks of Semiconductor Components Industries, LLC (SCILLC). SCILLC reserves the right to make changes without further notice to any products herein. SCILLC makes no warranty, representation or guarantee regarding the suitability of its products for any particular purpose, nor does SCILLC assume any liability arising out of the application or use of any product or circuit, and specifically disclaims any and all liability, including without limitation special, consequential or incidental damages. "Typical" parameters which may be provided in SCILLC data sheets and/or specifications can and do vary in different applications and actual performance may vary over time. All operating parameters, including "Typicals" must be validated for each customer application by customer's technical experts. SCILLC does not convey any license under its patent rights nor the rights of others. SCILLC products are not designed, intended, or authorized for use as components in systems intended for surgical implant into the body, or other applications intended to support or sustain life, or for any other application in which the failure of the SCILLC product could create a situation where personal injury or death may occur. Should Buyer purchase or use SCILLC products for any such unintended or unauthorized application, Buyer shall indemnify and hold SCILLC and its officers, employees, subsidiaries, affiliates, and distributors harmless against all claims, costs, damages, and expenses, and reasonable attorney fees arising out of, directly or indirectly, any claim of personal injury or death associated with such unintended or unauthorized use, even if such claim alleges that SCILLC was negligent regarding the design or manufacture of the part. SCILLC is an Equal Opportunity/Affirmative Action Employer. This literature is subject to all applicable copyright laws and is not for resale in any manner.

PUBLICATION ORDERING INFORMATION

LITERATURE FULFILLMENT:
Literature Distribution Center for ON Semiconductor
P.O. Box 5163, Denver, Colorado 80217 USA
Phone: 303-675-2175 or 800-344-3860 Toll Free USA/Canada
Fax: 303-675-2176 or 800-344-3867 Toll Free USA/Canada
Email: orderlit@onsemi.com

N. American Technical Support: 800-282-9855 Toll Free
USA/Canada
Europe, Middle East and Africa Technical Support:
Phone: 421 33 790 2910
Japan Customer Focus Center
Phone: 81-3-5773-3850

ON Semiconductor Website: www.onsemi.com
Order Literature: <http://www.onsemi.com/orderlit>
For additional information, please contact your local Sales Representative

NB4N7132/D