



### Flexible package options:

- 28 pin 4mm x 4mm QFN, 0.8mm max height
- 28 pin 5.3mm x 10.2mm SSOP, 1.83mm max height

### Power supply range:

- Touch supply (VDD1): 1.65V - 1.95V
- $V_{DDIO}$  = 1.65V - 3.6V

### Applications:

- Mobile handsets and smartphones
- Personal music and media players (MP3/MP4)
- Gaming devices
- Remote controls
- Television, audio/video
- Set-top boxes
- Multi-function printers
- Enterprise telephony

## Ideal solution for portable applications

The LDS6005 is optimized for minimal power consumption, with touch sensor circuits operating from a 1.8V supply voltage. In full power mode, sensor conversion and calibration occur continuously, minimizing the time between touch event and touch detection. With its ultra-low touch sensor power consumption of <150 uW (typical), the LDS6005 may be operated continuously in full power mode, even when battery life is of premium importance. The low power architecture of the IDT PureTouch™ solutions eliminates the need for introduced latency periods that can cause noticeable delays and degrade the user experience.

When touch inputs are not required to be active, the LDS6005 may be put into standby mode, reducing typical power consumption below 1 uW.

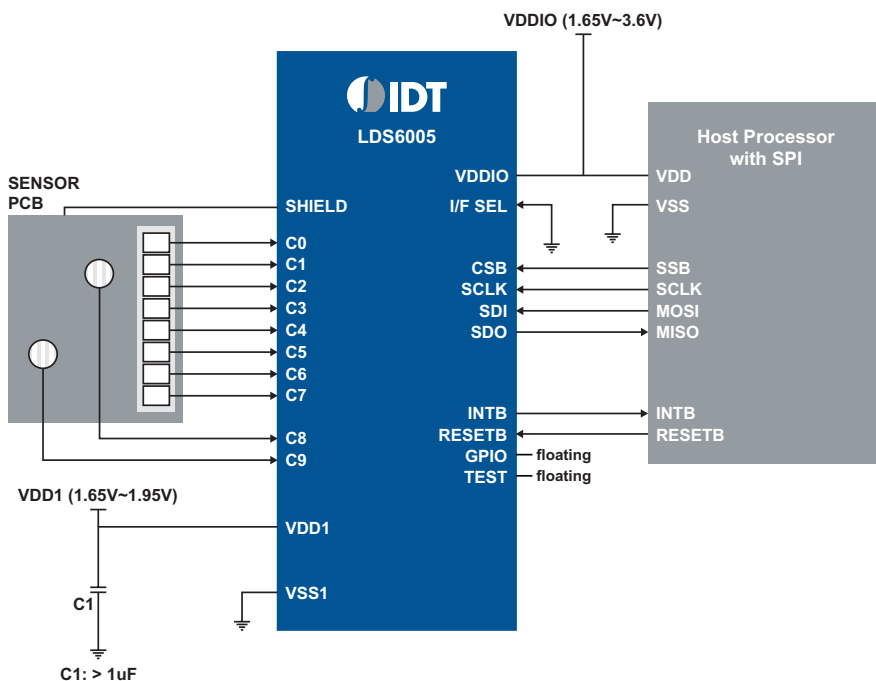


Figure 2. LDS6005 application diagram

Discover what IDT know-how can do for you.

[www.IDT.com/go/Touch](http://www.IDT.com/go/Touch)



© 2009 Integrated Device Technology, Inc. All rights reserved. Product specifications subject to change without notice. IDT and the IDT logo are registered trademarks of Integrated Device Technology, Inc. All other brands, product names and marks are or may be trademarks or registered trademarks used to identify products or services of their respective owners.

Printed in USA 08-09/MG/BWD/PDF\_r7\_v1

FLYR-LDS6005-089