

# MTS Stereo Encoder

The MC44C402 Multi-Channel Television Sound (MTS) Stereo Encoder is based on the industry's first, single-chip, CMOS implementation of a Broadcast Television Systems Committee (BTSC)-compatible stereo encoder, the MC44C400.

The MC44C402 MTS Stereo Encoder is designed for use in set-top boxes, VCRs, DVD players/recorders, game stations, and other applications that are required to output high-quality stereo sound through a single RF coaxial cable.

The digital audio processing used in the MC44C402 preserves the full fidelity of surround sound and other audio coding schemes while ensuring overall system performance is not impacted by copy protection technologies.

The MC44C402 is engineered to process right and left analog audio signals and baseband composite video to generate a stereophonic composite signal in accordance with BTSC system standards. The MC44C402 is designed to output this signal to a Freescale RF modulator, which in turn produces a stereo encoded RF channel for use with any BTSC stereo television receiver.

## Features

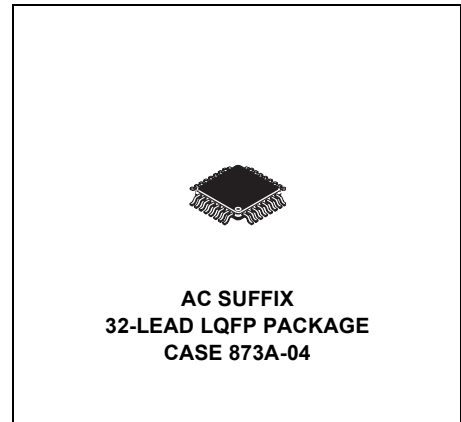
- Integrated A/D converter input and D/A converter output circuitry
- CEX™ digital audio processing encodes and transports stereo signals
- Surround sound and Macrovision™ compatible
- Extended low frequency response (The MC44C402 frequency response extends below 25 Hz)
- Simple passive interface to Freescale's MC44BS373/4 (UHF/VHF) and MC44BC375 (VHF) modulators
- Preservation of original surround sound fidelity
- System performance not impacted by copy protection technologies
- Low system component count, small board size, and significantly low overall system cost
- No manual alignment of filters or phase controls

## Reference Documentation

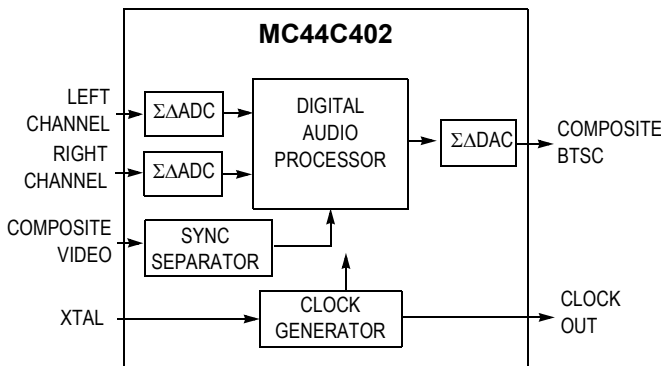
"Multichannel Television Sound Transmission and Audio Processing Requirements for the BTSC System", FCC OET Bulletin No. 60, February 1986.

**MC44C402**

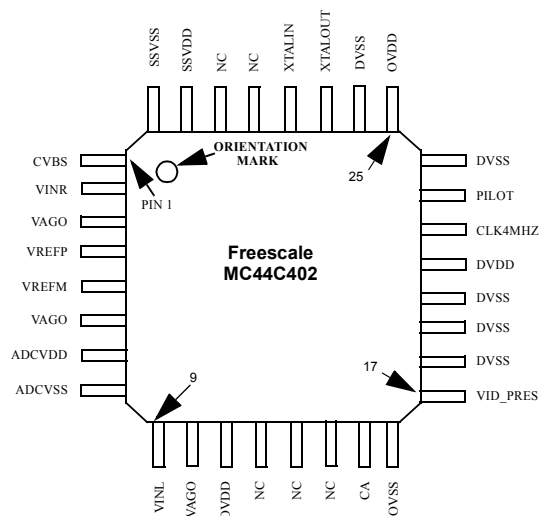
**MTS STEREO ENCODER**



ORDERING INFORMATION			
Device	Temp. Range	Package	RoHS
MC44C402AC	-40°C to +85°C	32LQFP	yes
MC44C402ACR2		Tape & Reel	yes



Functional Block Diagram



MC44C402 32LQFP Package

This document contains certain information on a new product. Specifications and information herein are subject to change without notice.  
 © Freescale Semiconductor, Inc., 2005. All rights reserved.



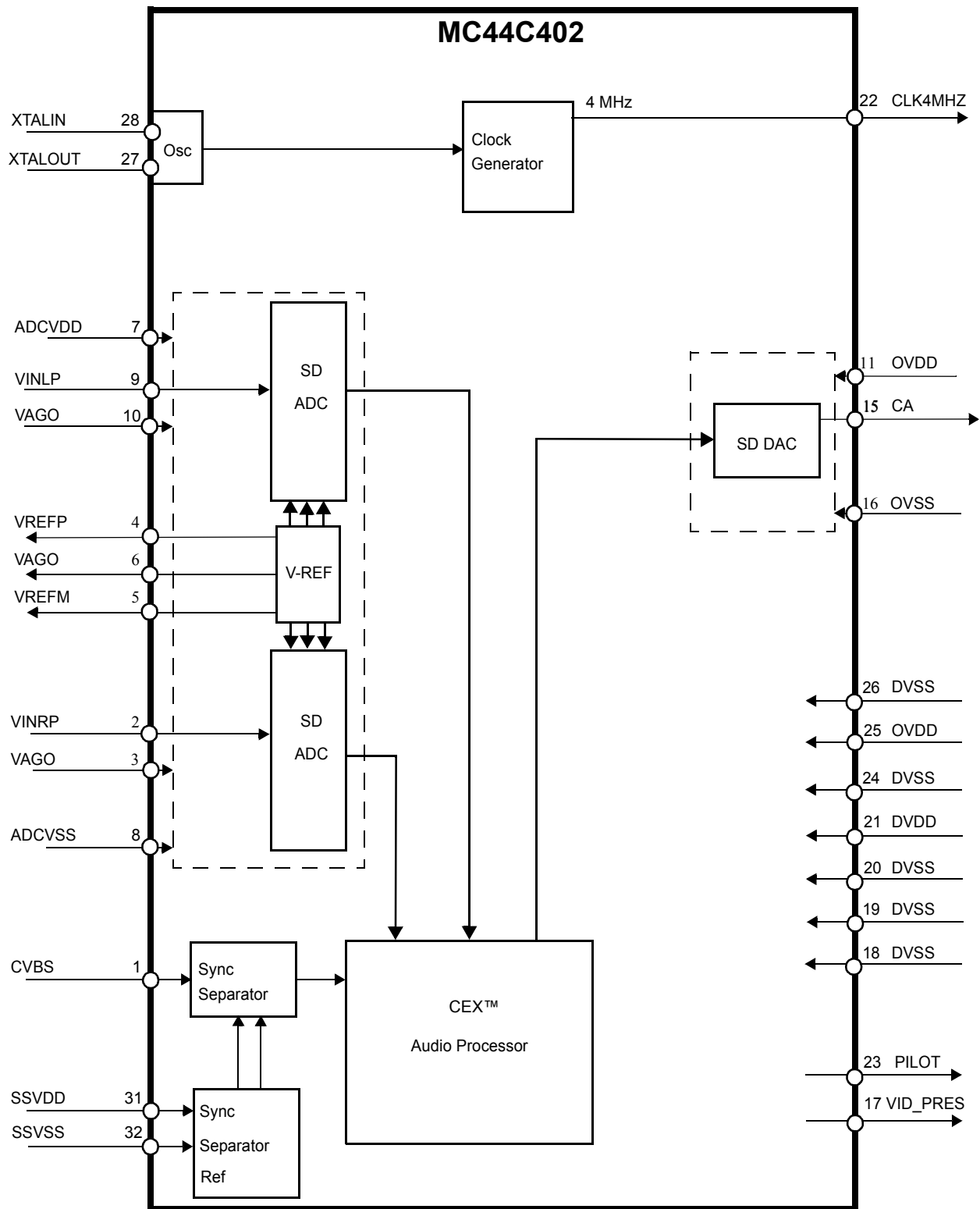


Figure 1. MC44C402 Block Diagram

## PIN DESCRIPTION

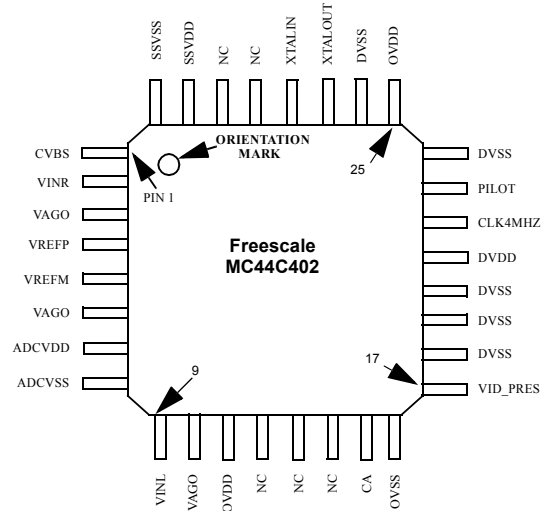


Figure 2. MC44C402 32LQFP Package

Table 1. Pin Descriptions (Listed by Function)

Signal Name	Pin #	Description
<b>Analog</b>		
VINL	9	Left channel input
VREFP	4	ADC Voltage Ref. Bypass plus
VAGO	3, 6, 10	Analog virtual ground
VREFM	5	ADC Voltage Ref. Bypass minus
VINR	2	Right channel input
CVBS	1	Composite video input to sync separator
<b>Digital</b>		
CA	15	Composite Audio output
VID_PRES	17	Video present flag, 0 = no video, hi-z = video present
PILOT	23	15.734 KHz square wave output phased locked to incoming video
NC	12, 13, 14, 29, 30	No Connection
<b>Clocks</b>		
XTALIN	28	Crystal oscillator input
XTALOUT	27	Crystal oscillator output
CLK4MHZ	22	4 MHz clock output for Audio/Video modulator IC
<b>Power Supply</b>		
SSV <sub>DD</sub>	31	Sync Separator analog supply voltage, 3.3 V
SSV <sub>SS</sub>	32	Sync Separator analog ground
ADCV <sub>DD</sub>	7	ADC analog supply voltage, 3.3 V
ADCV <sub>SS</sub>	8	ADC analog ground
DV <sub>DD</sub>	21	Digital Logic supply voltage, 1.8 V
DV <sub>SS</sub>	16, 18, 19, 20, 24, 26	Digital Logic and I/O grounds
OV <sub>DD</sub>	11, 25	I/O supply voltage, 3.3 V

## ELECTRICAL SPECIFICATIONS

**Table 2. Absolute Maximum Ratings**

Absolute maximum continuous ratings are those maximum values beyond which damage to the device may occur. Exposure to these conditions or conditions beyond those indicated may adversely affect device reliability. Functional operation at absolute-maximum-rated conditions is not implied.

Characteristic	Symbol	Min	Max	Units
Digital Logic Supply Voltage	DV <sub>DD</sub>	-0.3	+2.0	V
Digital Output Supply Voltage	OV <sub>DD</sub>	-0.3	+4.0	V
ADC Supply Voltage	ADCV <sub>DD</sub>	-0.3	+4.0	V
Sync. Separator Supply Voltage	SSV <sub>DD</sub>	-0.3	+4.0	V
Input Voltage	V <sub>in</sub>	-0.3	xxV <sub>DD</sub> + 0.3	V
Storage Temperature Range	T <sub>stg</sub>	-55	+150	°C

**Table 3. General Specifications**

Characteristic	Symbol	Min	Typ	max	Units
ESD Protection (Machine Model)	MM	200			V
ESD Protection (Human Body Model)	HBM	2000			V
Latch-Up Immunity	LU	200			mA

**Table 4. Recommended Operating Conditions**

Characteristic	Symbol	Min	Typ	Max	Units
Digital Logic Supply Voltage	DV <sub>DD</sub>	+1.62	+1.8	+1.98	V
Digital Output Supply Voltage	OV <sub>DD</sub>	+2.97	+3.3	+3.63	V
ADC Supply Voltage	ADCV <sub>DD</sub>	+2.97	+3.3	+3.63	V
Sync. Separator Supply Voltage	SSV <sub>DD</sub>	+2.97	+3.3	+3.63	V
Left/Right Channel Input Level	V <sub>INL</sub> , V <sub>INR</sub>			1.8	V <sub>pp</sub>
Composite Video Input Level (See Figure 8)	CVBS	0.5	1.0	2.0	V <sub>pp</sub>
Ambient Temperature	T <sub>A</sub>	-40		+85	°C

**Table 5. DC Characteristics**

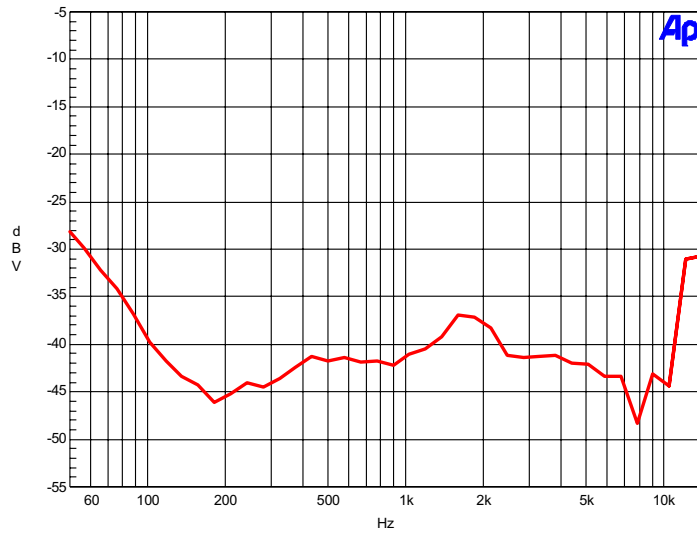
Characteristic <sup>(1)</sup>	Symbol	Min	Typ	Max	Units
Digital Logic Supply Current	IDV <sub>DD</sub>		7.5	8.5	mA
Digital Output Supply Current	IOV <sub>DD</sub>		2.0	8.0	mA
ADC Supply Current	IADCV <sub>DD</sub>		7.0	9.0	mA
Sync. Separator Supply Current	ISSV <sub>DD</sub>		2.0		mA
CLK4MHZ, Clock Output @ I = 0.6 mA	V <sub>ol</sub>	2.97			V
ADC Voltage Ref. Bypass plus	VREFP		+2.0		V
ADC Voltage Ref. Bypass minus	VREFM		+1.0		V
ADC Voltage Ref. Ground	VAGO		+1.5		V
CLK4MHZ, Clock Output @ I = 0.6 mA	V <sub>oh</sub>			3.63	V

1. Unless otherwise noted; DV<sub>DD</sub> = 1.8 ± 0.18 Vdc, OV<sub>DD</sub> = ADCV<sub>DD</sub> = SSV<sub>DD</sub> = 3.3 ± 0.33 Vdc, GND = 0 Vdc, -40 ≤ T<sub>A</sub> ≤ 85°C.

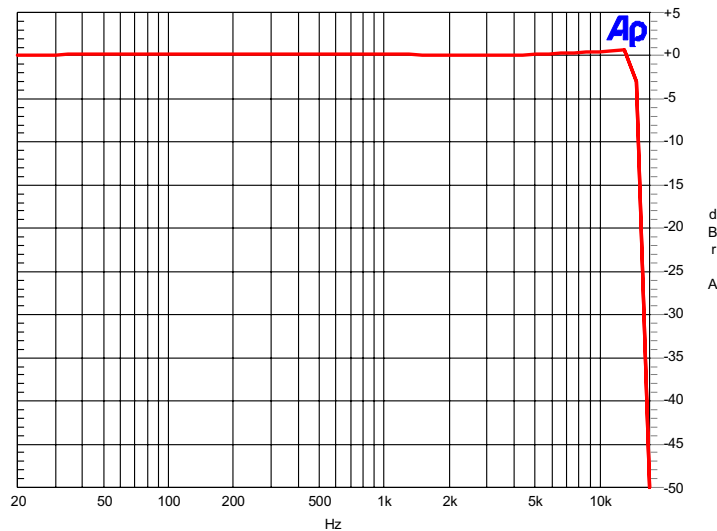
**Table 6. AC Characteristics**

Characteristic <sup>(1)</sup>	Symbol	Min	Typ	Max	Units
Input Impedance (Left/Right Input)	R <sub>in</sub>		75		kΩ
Composite Audio Output Level <sup>(2)</sup>	CA		1.0		V <sub>pp</sub>
Composite Output Level	CA			2.2	V <sub>pp</sub>
Signal to Noise Ratio <sup>(2),(3)</sup>	SNR	72	75		dB
Total Harmonic Distortion <sup>(2),(3)</sup>	THD		0.1	0.3	%
-1 dB Bandwidth	BW	20		14500	Hz
Stereo Separation 500 Hz - 5 KHz <sup>(4)</sup>			35		dB
Stereo Separation 100 Hz - 10 KHz <sup>(4)</sup>		30	35		dB

1. Unless other wise noted; DV<sub>DD</sub> = 1.8 ± 0.18 Vdc, OV<sub>DD</sub> = ADCV<sub>DD</sub> = SSV<sub>DD</sub> = 3.3 ± 0.33 Vdc, GND = 0 Vdc, -40 ≤ T<sub>A</sub> ≤ 85°C.
2. Test conditions, mono, 1 kHz @ 1.5 V<sub>pp</sub>
3. Measured in 20 Hz to 13.5 kHz bandwidth
4. Measured -10 dB input level



**Figure 3. Stereo Separation**



**Figure 4. Amplitude Response**

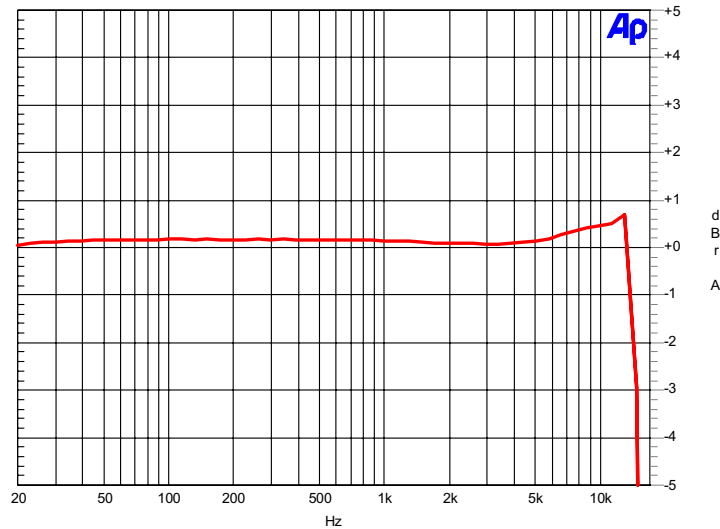


Figure 5. Amplitude Ripple

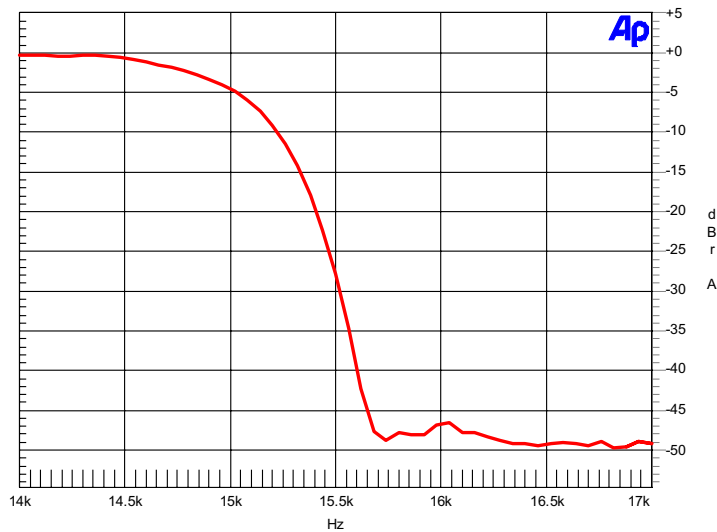


Figure 6. Amplitude-Notch

## SYSTEM APPLICATION NOTES

### DESIGN CONSIDERATIONS

When developing application using the MC44C402 Stereo Encoder, the user can significantly improve the performance by following the suggestions below:

1. Disable the pre-emphasis on the modulator
2. There must be a 4.5 MHz notch in the video because Video spectra that fall into the 4.5 MHz range will severely impact the audio performance. See the notch filter shown in [Figure 7](#).
3. Measurements must be made with a precision demodulator followed by a precision decoder, measuring audio performance using mono or wide band output will give erroneous results. We suggest the setup as described below
4. A low pass filter is required on the CA (baseband) output. The filter shown in [Figure 7](#) note 1 is recommended. It is a Bessel filter with uniform group delay to 50 kHz and an input impedance of 500Ω and high output impedance.
5. Crystal frequency is critical. It MUST be within +/- 2 kHz (100 PPM) under all conditions. Recommend 30 PPM or better at room temperature. Measure the frequency, being careful not to load the crystal oscillator pins or alternatively the frequency can be determined by measuring the 4 MHz using (spectrum analyzer), being careful not to load the crystal oscillator pins, or with a frequency counter on the 4 MHz port to +/- 400 Hz max or 100 Hz at room temp. A symptom of the crystal being off frequency is stereo separation changing at about a 1 Hz rate (Pulsing).

Equipment suggestions

Demodulator:	Tektronix	TV1450
Decoder:	Modulation Sciences	SRD-1

### MC44C402

## MODULATOR INTERFACE

1. The 4 MHz clock drive to the MC44BS373 must be filtered and the level set correctly. This can be achieved simply by using a 1  $\mu$ H inductor and 1500 pF and series 750 ohm resistor and 100 pF blocking cap, as shown in [Figure 7](#) note 2.
2. The MC44BS373 SPLL filter must be changed to a single 2.2  $\mu$ F capacitor to ground. Please see [Figure 7](#) note 3. (note some caps exhibit microphonic problems in this application).
3. Input impedance of the MC44BS373 is around 70 Kohms and to preserve the low frequency performance the coupling caps should be greater than 0.1  $\mu$ F

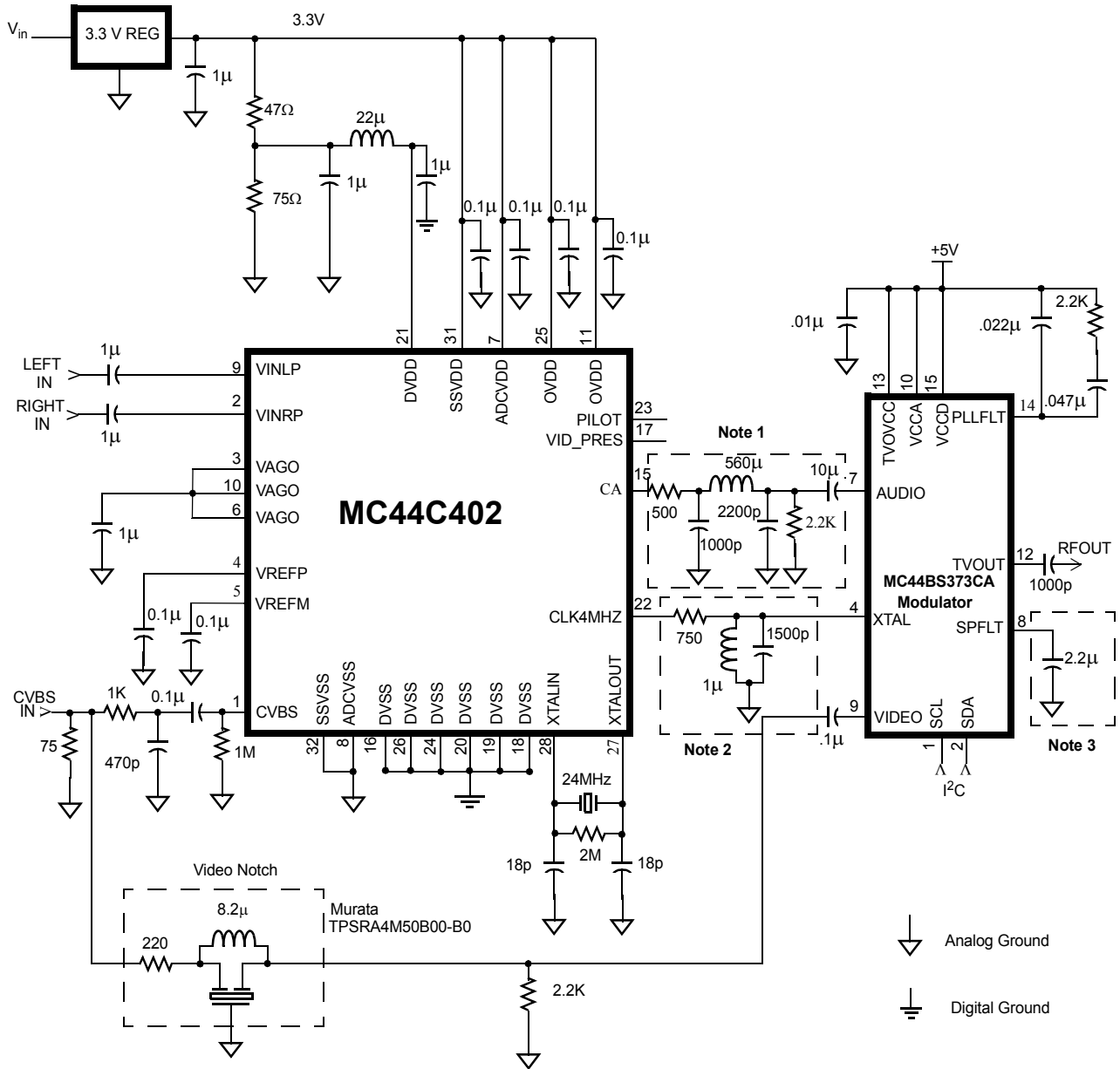


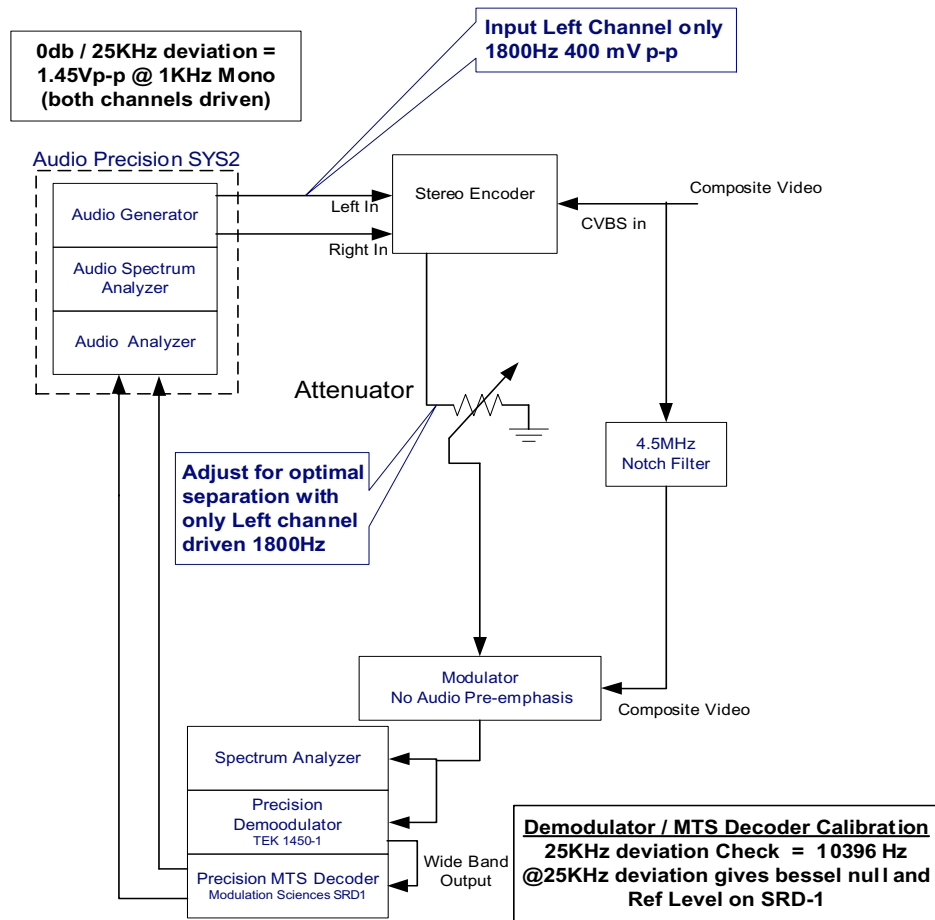
Figure 7. MC44C402 Typical Application Circuit

## SETTING LEVEL FOR MODULATOR/ENCODER INTERFACE

1. Verify calibration of the equipment. This requires a modulator and precision signal source. The audio signal cannot be passed through the stereo encoder for this setup. Suggest using 10396.48 Hz audio test signal directly into first Bessel null on a spectrum analyzer.

The null will occur at precisely 25 KHz deviation of the 10396.48 Hz audio test signal. Please see [Figure 8](#) for test equipment setup.

2. Input 1800 Hz @ 0.4 V p-p into left channel and set adjust attenuation between stereo encoder and the modulator for optimum separation using calibrated demodulator and decoder.

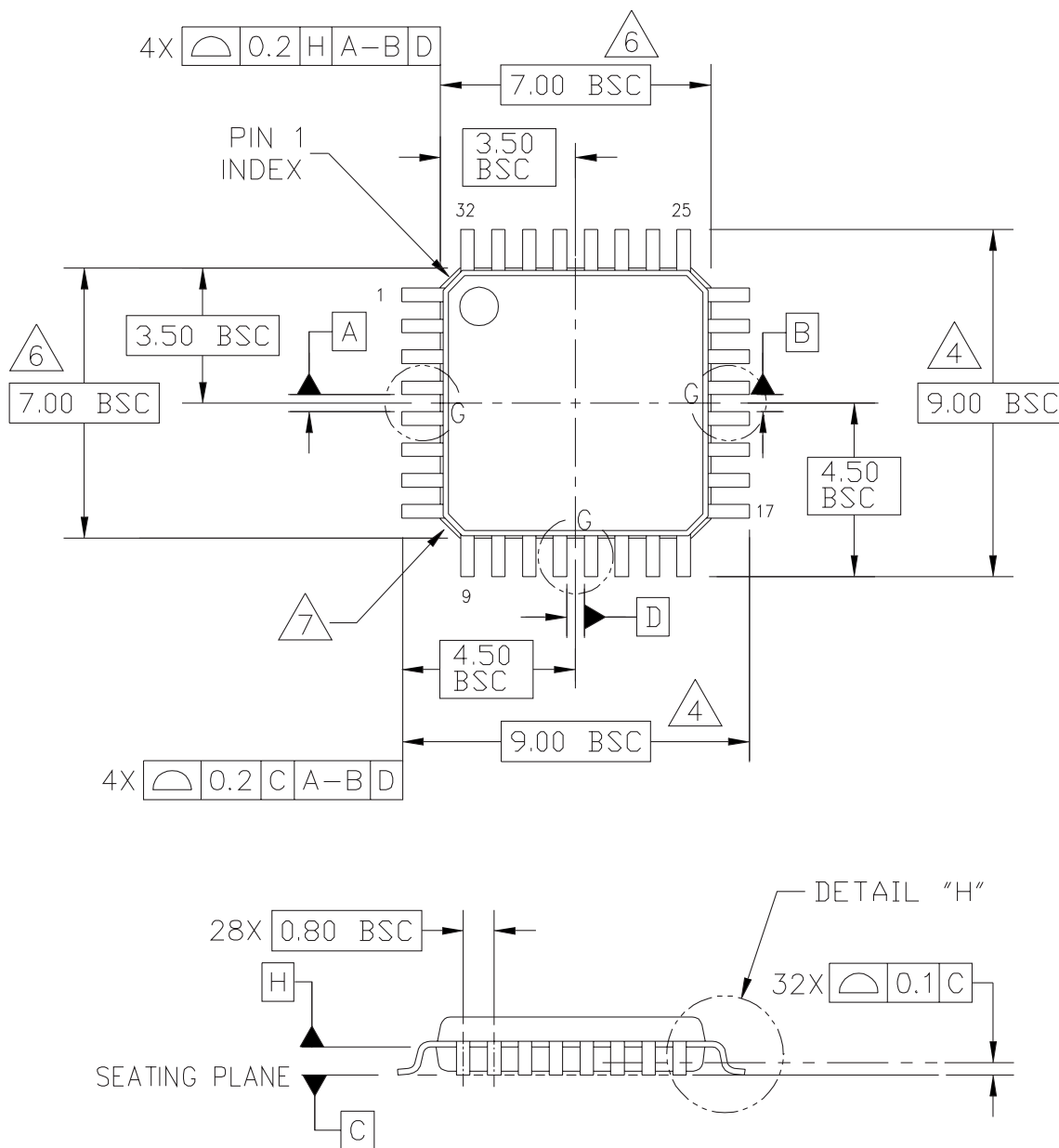


- 1) Calibrate MTS Decoder to Demodulator connection using Bessel Null Technique
- 2) input 1.8KHz 0.4 V p-p on left channel only and optimize stereo separation with attenuator.

Figure 8. MC44C402 Level Setup



# PACKAGE DATA



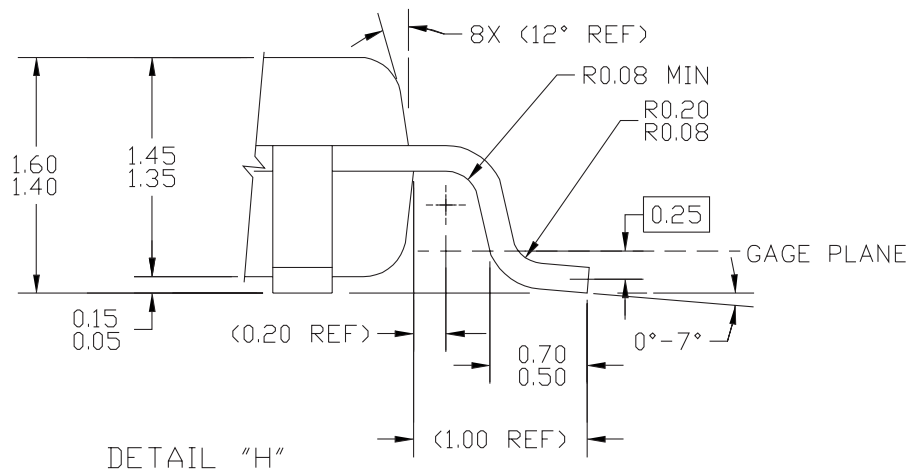
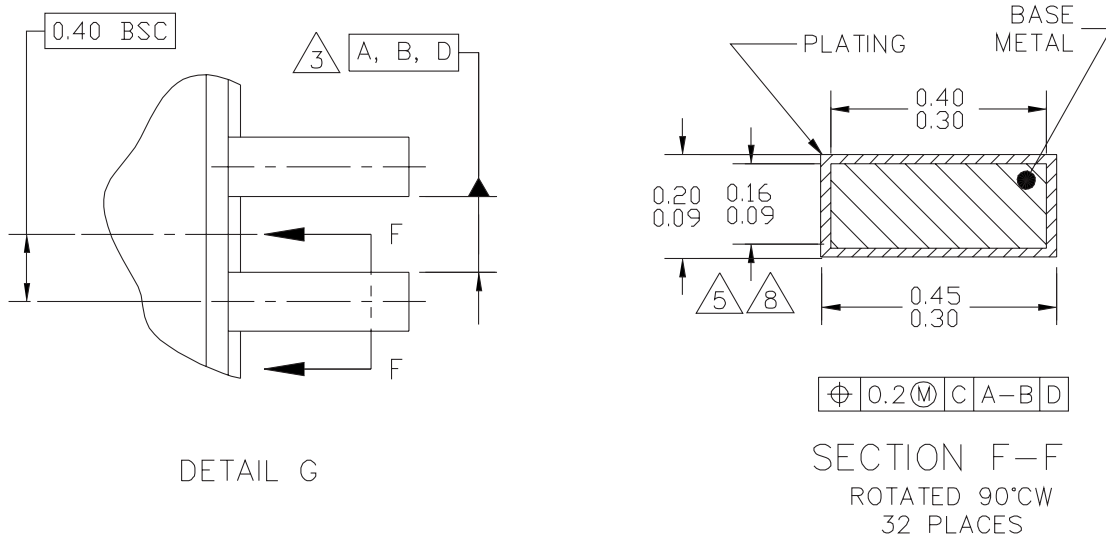
© FREESCALE SEMICONDUCTOR, INC. ALL RIGHTS RESERVED.	MECHANICAL OUTLINE	PRINT VERSION NOT TO SCALE	
TITLE: LOW PROFILE QUAD FLAT PACK (LQFP) 32 LEAD, 0.8 PITCH (7 X 7 X 1.4)	DOCUMENT NO: 98ASH70029A	REV: C	
	CASE NUMBER: 873A-04	01 APR 2005	
	STANDARD: JEDEC MS-026 BBA		

PAGE 1 OF 3

Figure 9. 32QLFP Package Mechanical Data

MC44C402

# PACKAGE DATA



© FREESCALE SEMICONDUCTOR, INC. ALL RIGHTS RESERVED.	MECHANICAL OUTLINE	PRINT VERSION NOT TO SCALE	
TITLE: LOW PROFILE QUAD FLAT PACK (LQFP) 32 LEAD, 0.8 PITCH (7 X 7 X 1.4)	DOCUMENT NO: 98ASH70029A	REV: C	
	CASE NUMBER: 873A-04	01 APR 2005	
	STANDARD: JEDEC MS-026 BBA		

PAGE 2 OF 3

Figure 9. 32QLFP Package Mechanical Data (continued)

## PACKAGE DATA

NOTES:

1. DIMENSIONS ARE IN MILLIMETERS.
2. INTERPRET DIMENSIONS AND TOLERANCES PER ASME Y14.5-1994.
3. DATUMS A, B, AND D TO BE DETERMINED AT DATUM PLANE H.
4. DIMENSIONS TO BE DETERMINED AT SEATING PLANE DATUM C.
5. DIMENSION DOES NOT INCLUDE DAMBAR PROTRUSION. ALLOWABLE DAMBAR PROTRUSION SHALL NOT CAUSE THE LEAD WIDTH TO EXCEED THE MAXIMUM DIMENSION BY MORE THAN 0.08 MM. DAMBAR CANNOT BE LOCATED ON THE LOWER RADIUS OR THE FOOT. MINIMUM SPACE BETWEEN PROTRUSION AND ADJACENT LEAD OR PROTRUSION: 0.07 MM.
6. DIMENSIONS DO NOT INCLUDE MOLD PROTRUSION. ALLOWABLE PROTRUSION IS 0.25 MM PER SIDE. DIMENSIONS ARE MAXIMUM PLASTIC BODY SIZE DIMENSIONS INCLUDING MOLD MISMATCH.
7. EXACT SHAPE OF EACH CORNER IS OPTIONAL.
8. THESE DIMENSIONS APPLY TO THE FLAT SECTION OF THE LEAD BETWEEN 0.1 MM AND 0.25 MM FROM THE LEAD TIP.

© FREESCALE SEMICONDUCTOR, INC. ALL RIGHTS RESERVED.	MECHANICAL OUTLINE	PRINT VERSION NOT TO SCALE
TITLE: LOW PROFILE QUAD FLAT PACK (LQFP) 32 LEAD, 0.8 PITCH (7 X 7 X 1.4)	DOCUMENT NO: 98ASH70029A	REV: C
	CASE NUMBER: 873A-04	01 APR 2005
	STANDARD: JEDEC MS-026 BBA	

PAGE 3 OF 3

**Figure 9. 32QLFP Package Mechanical Data (continued)**

## **How to Reach Us:**

### **Home Page:**

www.freescale.com

### **E-mail:**

support@freescale.com

### **USA/Europe or Locations Not Listed:**

Freescale Semiconductor  
Technical Information Center, CH370  
1300 N. Alma School Road  
Chandler, Arizona 85224  
+1-800-521-6274 or +1-480-768-2130  
support@freescale.com

### **Europe, Middle East, and Africa:**

Freescale Halbleiter Deutschland GmbH  
Technical Information Center  
Schatzbogen 7  
81829 Muenchen, Germany  
+44 1296 380 456 (English)  
+46 8 52200080 (English)  
+49 89 92103 559 (German)  
+33 1 69 35 48 48 (French)  
support@freescale.com

### **Japan:**

Freescale Semiconductor Japan Ltd.  
Headquarters  
ARCO Tower 15F  
1-8-1, Shimo-Meguro, Meguro-ku,  
Tokyo 153-0064  
Japan  
0120 191014 or +81 3 5437 9125  
support.japan@freescale.com

### **Asia/Pacific:**

Freescale Semiconductor Hong Kong Ltd.  
Technical Information Center  
2 Dai King Street  
Tai Po Industrial Estate  
Tai Po, N.T., Hong Kong  
+800 2666 8080  
support.asia@freescale.com

### **For Literature Requests Only:**

Freescale Semiconductor Literature Distribution Center  
P.O. Box 5405  
Denver, Colorado 80217  
1-800-441-2447 or 303-675-2140  
Fax: 303-675-2150  
LDCForFreescaleSemiconductor@hibbertgroup.com

Information in this document is provided solely to enable system and software implementers to use Freescale Semiconductor products. There are no express or implied copyright licenses granted hereunder to design or fabricate any integrated circuits or integrated circuits based on the information in this document.

Freescale Semiconductor reserves the right to make changes without further notice to any products herein. Freescale Semiconductor makes no warranty, representation or guarantee regarding the suitability of its products for any particular purpose, nor does Freescale Semiconductor assume any liability arising out of the application or use of any product or circuit, and specifically disclaims any and all liability, including without limitation consequential or incidental damages. "Typical" parameters that may be provided in Freescale Semiconductor data sheets and/or specifications can and do vary in different applications and actual performance may vary over time. All operating parameters, including "Typicals", must be validated for each customer application by customer's technical experts. Freescale Semiconductor does not convey any license under its patent rights nor the rights of others. Freescale Semiconductor products are not designed, intended, or authorized for use as components in systems intended for surgical implant into the body, or other applications intended to support or sustain life, or for any other application in which the failure of the Freescale Semiconductor product could create a situation where personal injury or death may occur. Should Buyer purchase or use Freescale Semiconductor products for any such unintended or unauthorized application, Buyer shall indemnify and hold Freescale Semiconductor and its officers, employees, subsidiaries, affiliates, and distributors harmless against all claims, costs, damages, and expenses, and reasonable attorney fees arising out of, directly or indirectly, any claim of personal injury or death associated with such unintended or unauthorized use, even if such claim alleges that Freescale Semiconductor was negligent regarding the design or manufacture of the part.

Freescale™ and the Freescale logo are trademarks of Freescale Semiconductor, Inc. All other product or service names are the property of their respective owners.

© Freescale Semiconductor, Inc. 2005. All rights reserved.

