

KA556

Dual Timer

Features

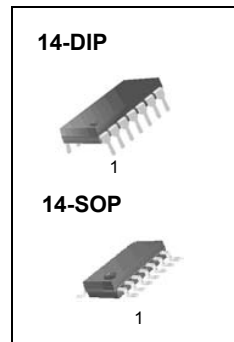
- Replaces two KA555 Timers
- Operates in Both Astable and Monos Table Modes
- High Output Current
- TTL Compatible
- Timing From Microsecond to Hours
- Adjustable Duty Cycle
- Temperature Stability of 0.005% Per °C

Applications

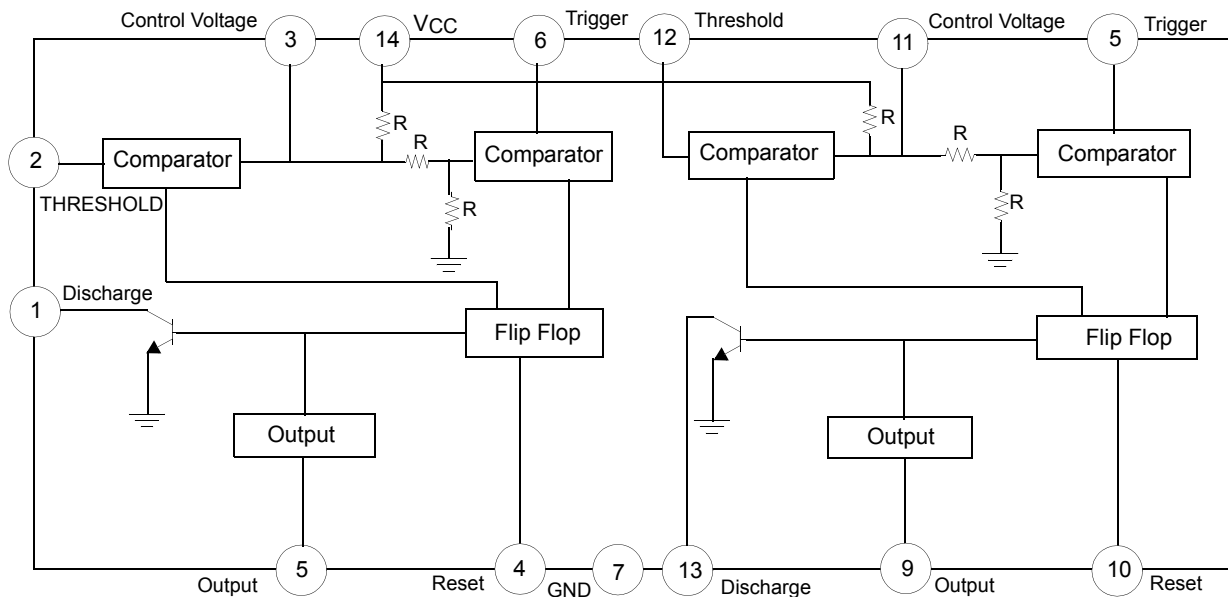
- Precision Timing
- Pulse Shaping
- Pulse Width Modulation
- Frequency Division
- Traffic Light Control
- Sequential Timing
- Pulse Generator
- Time Delay Generator
- Touch Tone Encoder
- Tone Burst Generator

Description

The KA556 series dual monolithic timing circuits are a highly stable controller capable of producing accurate time delays or oscillation. The KA556 is a dual KA555. Timing is provided an external resistor and capacitor for each timing function. The two timers operate independently of each other, sharing only VCC and ground. The circuits may be triggered and reset on falling waveforms. The output structures may sink or source 200mA.



Internal Block Diagram



Absolute Maximum Ratings (T_A = 25°C)

Parameter	Symbol	Value	Unit
Supply Voltage	V _{CC}	16	V
Lead Temperature (Soldering 10sec)	T _{LEAD}	300	°C
Power Dissipation	P _D	600	mW
Operating Temperature Range KA556/KA556I	T _{OPR}	0 ~ +70 / -40 ~ +85	°C
Storage Temperature Range	T _{STG}	-65 ~ +150	°C

Electrical Characteristics

(TA = 25°C, VCC = 5 ~ 15V, unless otherwise specified)

Parameter	Symbol	Conditions	Min.	Typ.	Max.	Unit
Supply Voltage	VCC	-	4.5	-	16	V
Supply Current *1(Two Timers) (Low State)	ICC	VCC = 5V, RL = ∞ VCC = 15V, RL = ∞	-	5 16	12 30	mA mA
Timing Error *2(Monos Table) Initial Accuracy Drift with Temperature Drift with Supply Voltage	ACCUR Δt/ΔT Δt/ΔVCC	RA = 2kΩ to 100kΩ C = 0.1μF T = 1.1RC	-	0.75 50 0.1	-	% ppm/°C %/V
Control Voltage	VCC	VCC = 15V	9.0	10.0	11.0	V
		VCC = 5V	2.6	3.33	4.0	V
Threshold Voltage	VTH	VCC = 15V	8.8	10.0	11.2	V
		VCC = 5V	2.4	3.33	4.2	V
Threshold Current*3	ITH	-	-	30	250	nA
Trigger Voltage	VTR	VCC = 15V	4.5	5.0	5.6	V
		VCC = 5V	1.1	1.6	2.2	V
Trigger Current	ITR	VTR = 0V	-	0.01	2.0	μA
Reset Voltage*5	VRST	-	0.4	0.6	1.0	V
Reset Current	IRST	-	-	0.03	0.6	mA
Low Output Voltage	VOL	VCC = 15V ISINK = 10mA ISINK = 50mA ISINK = 100mA ISINK = 200mA	-	0.1 0.4 2.0 2.5	0.25 0.75 3.2	V
		VCC = 5V ISINK = 8mA ISINK = 5mA	-	0.25 0.15	0.35 0.25	V
High Output Voltage	VOH	VCC = 15V ISOURCE = 200mA ISOURCE = 100mA	12.75	12.5 13.3	-	V
		VCC = 5V ISOURCE = 100mA	2.75	3.3	-	V
Rise Time of Output	tR	-	-	100	300	ns
Fall Time of Output	tF	-	-	100	300	ns
Discharge Leakage Current	ILKG	-	-	10	100	nA
Matching Characteristics*4 Initial Accuracy Drift with Temperature Drift with Supply Voltage	ACCUR Δt/ΔT Δt/ΔVCC	-	-	1.0 10 0.2	2.0 0.5	% ppm/°C %/V
Timing Error (astable)*2 Initial Accuracy Drift with Temperature Drift with Supply Voltage	ACCUR Δt/ΔT Δt/ΔVCC	VCC = 15V RA, RB = 1kΩ to 100kΩ C = 0.1μF	-	2.25 150 0.3	-	% ppm/°C %/V

Notes:

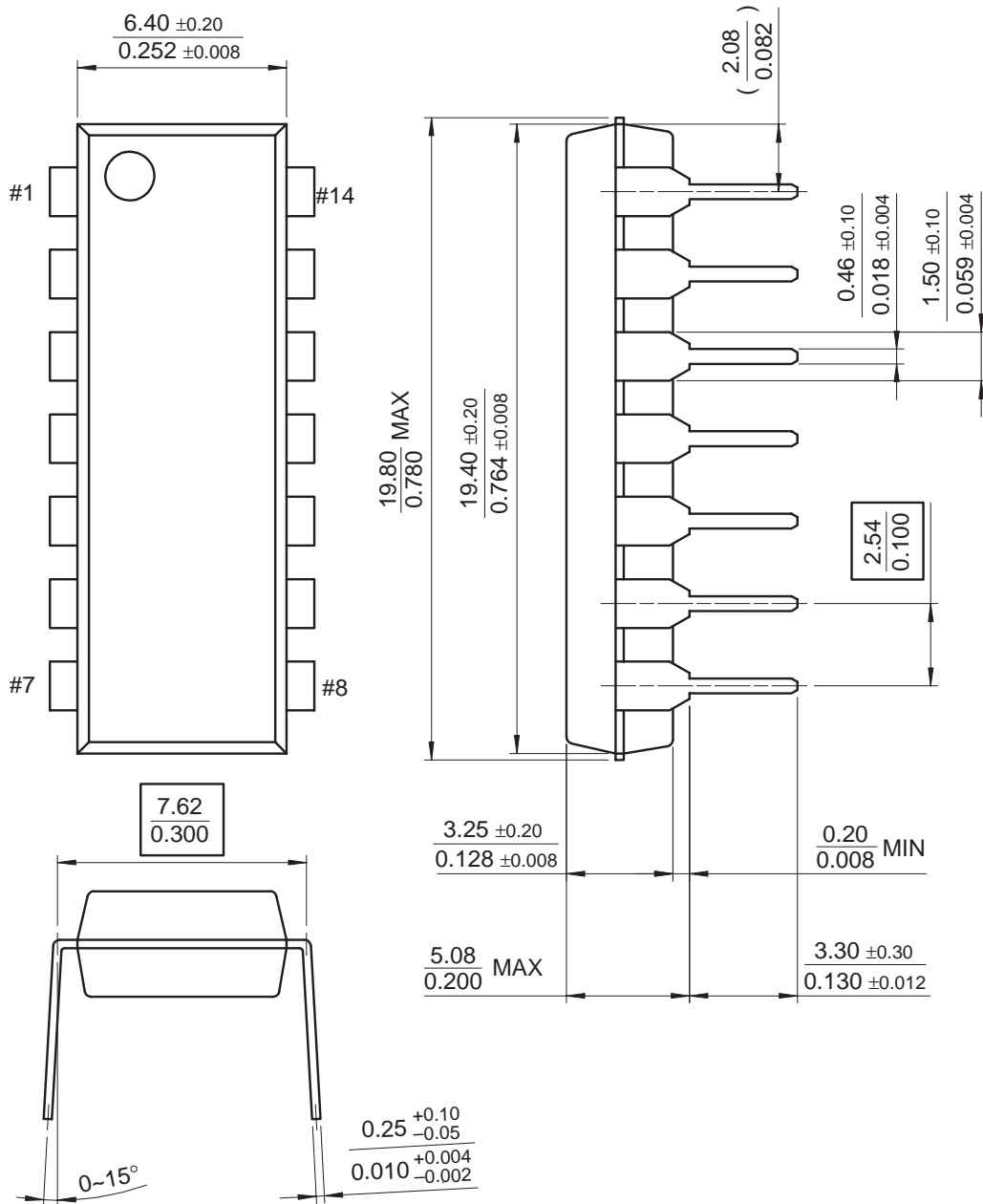
- Supply current when output is high is typically 1.0mA less at VCC = 5V
- Tested at VCC = 5V and VCC = 15V
- This will determine the maximum value of RA + RB for 15V operation.
The maximum total R = 20MΩ, and for 5V operation the maximum total R = 6.6MΩ.
- Matching characteristics refer to the difference between performance characteristics of each timer section in the monostable mode.
- As reset voltage lowers, timing is inhibited and then the output goes low.

Mechanical Dimensions

Package

Dimensions in millimeters

14-DIP

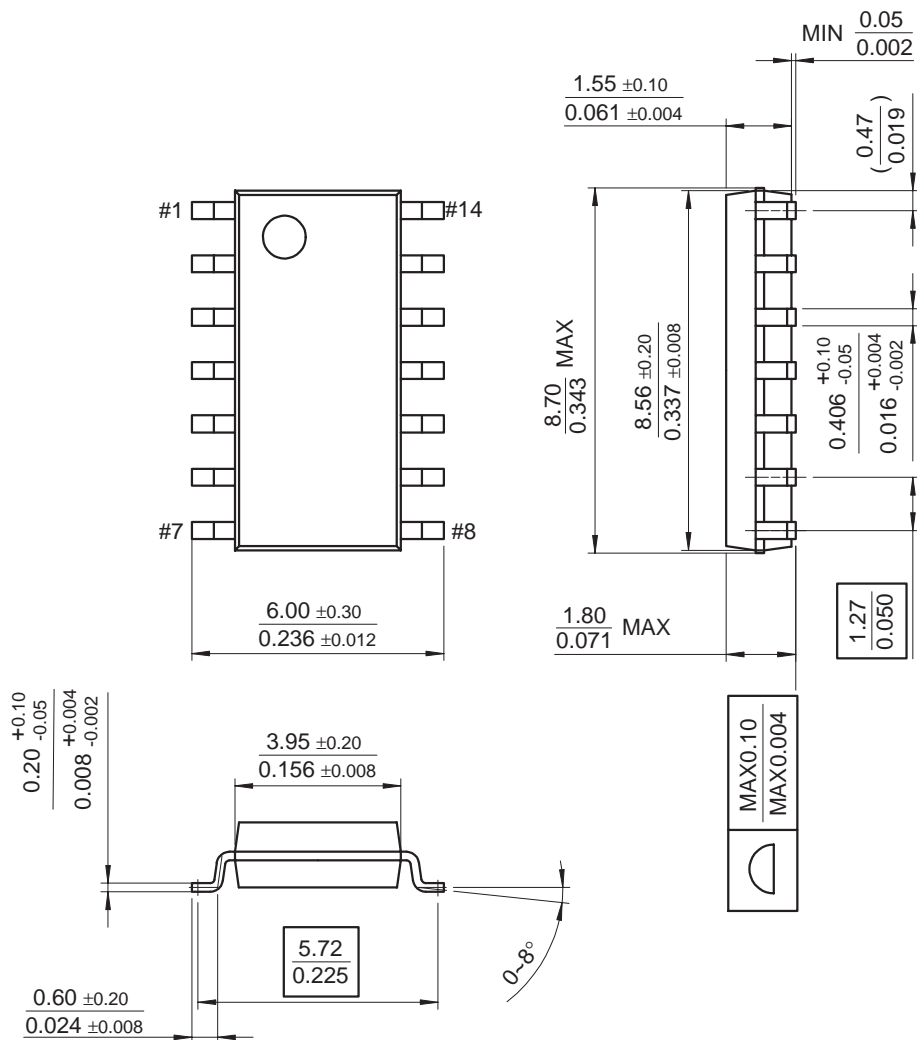


Mechanical Dimensions (Continued)

Package

Dimensions in millimeters

14-SOP



Ordering Information

Product Number	Package	Operating Temperature
KA556	14-DIP	0 ~ +70°C
KA556D	14-SOP	
KA556I	14-DIP	-40 ~ +85°C
KA556ID	14-SOP	

DISCLAIMER

FAIRCHILD SEMICONDUCTOR RESERVES THE RIGHT TO MAKE CHANGES WITHOUT FURTHER NOTICE TO ANY PRODUCTS HEREIN TO IMPROVE RELIABILITY, FUNCTION OR DESIGN. FAIRCHILD DOES NOT ASSUME ANY LIABILITY ARISING OUT OF THE APPLICATION OR USE OF ANY PRODUCT OR CIRCUIT DESCRIBED HEREIN; NEITHER DOES IT CONVEY ANY LICENSE UNDER ITS PATENT RIGHTS, NOR THE RIGHTS OF OTHERS.

LIFE SUPPORT POLICY

FAIRCHILD'S PRODUCTS ARE NOT AUTHORIZED FOR USE AS CRITICAL COMPONENTS IN LIFE SUPPORT DEVICES OR SYSTEMS WITHOUT THE EXPRESS WRITTEN APPROVAL OF THE PRESIDENT OF FAIRCHILD SEMICONDUCTOR CORPORATION. As used herein:

1. Life support devices or systems are devices or systems which, (a) are intended for surgical implant into the body, or (b) support or sustain life, and (c) whose failure to perform when properly used in accordance with instructions for use provided in the labeling, can be reasonably expected to result in a significant injury of the user.
2. A critical component in any component of a life support device or system whose failure to perform can be reasonably expected to cause the failure of the life support device or system, or to affect its safety or effectiveness.