

2-Port Ethernet Switch with Non-PCI Interface and 10B-FL / 100B-SX / 100B-FX Support

Description

The KSZ8862-16MQL (or -32MQL) is the industry's first fully managed 2-port switch with a non-PCI CPU interface. It is similar to the KSZ8842-16MQL (or -32MQL) family, however port-1 supports fiber mode, while port-2 supports 10B-T / 100B-TX. It is based on a proven, 4th generation, integrated Layer 2 switch that is compliant to the IEEE 802.3u standard.

The KSZ8862-16MQL (or -32MQL) contains two 10/100 transceivers with patented mixed-signal low-power technology, two media access control (MAC) units and a direct memory access (DMA) channel, a high-speed non-blocking switch fabric, a dedicated 1K entry forwarding table, and an on-chip frame buffer memory. In fiber mode, the port-1 PHY can be configured to 100BASE-FX, 100BASE-SX, or 10BASE-FL fiber. Port-2 supports 10BASE-T and 100BASE-TX, which therefore makes the devices ideal for use in managed Media Converter

applications. An LED driver and post amplifier are also included on-chip for 10Base-FL applications, thus making for a very cost effective solution.

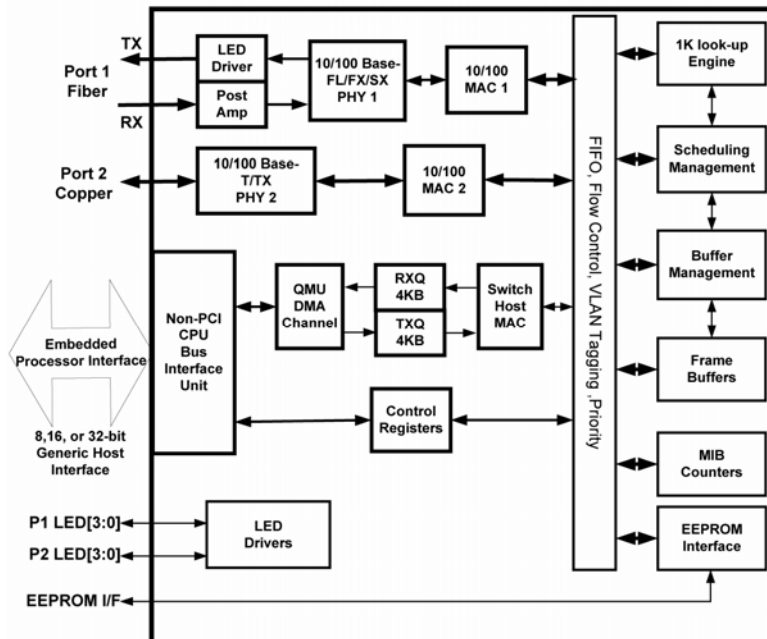
The KS8862-16MQL (or -32MQL) offers an extensive feature set that includes tag/port-based VLAN, QoS priority management, MAC filtering, MIB counters, and CPU control/data interfaces to effectively address both current and emerging Fast Ethernet applications.

Data sheets and support documentation can be found on Micrel's web site at www.micrel.com.

Applications

- Managed Media Converters
- Ethernet Controllers with copper & Fiber requirements
- Legacy 10B-FL applications

Block Diagram



KSZ8862-16MQL or KSZ8862-32MQL Block Diagram

Features	Benefits
<ul style="list-style-type: none"> Integrated LED driver and post amplifier 	<ul style="list-style-type: none"> Enable usage of low cost "sugar cube" optical modules
<ul style="list-style-type: none"> Advanced PHY technology with LinkMD 	<ul style="list-style-type: none"> TDR based cable diagnostic for simplified IT services
<ul style="list-style-type: none"> Packet prioritization support <ul style="list-style-type: none"> Per-port, 802.1p and DiffServ based Re-mapping of 802.1p priority field per-port basis Four priority levels 	<ul style="list-style-type: none"> Enables latency critical applications to transport network traffic with minimal interruption. Per-port re-mapping enforces priority policies by overriding packet embedded priority levels. Triple play (voice, video, data) application ready
<ul style="list-style-type: none"> 802.1q VLAN support for up to 16 groups. Tag/untag on a per-port basis 	<ul style="list-style-type: none"> Secures and segregates network traffic. Full range of VLAN IDs supported.
<ul style="list-style-type: none"> Advanced switch features <ul style="list-style-type: none"> Programmable priority based ingress and egress rate limiting Broadcast storm protection with % control 802.1d Spanning Tree Protocol support 	<ul style="list-style-type: none"> Shape/protect traffic and enable redundancy <ul style="list-style-type: none"> Allows creation of bandwidth-based tiered services, optimizes bandwidth based on applications Guard against denial of service attacks Resolve loops, permit redundancy
<ul style="list-style-type: none"> Switch management <ul style="list-style-type: none"> Port mirroring/monitoring/sniffing: ingress and/or egress traffic to any port or MII, 34 MIB counters per port IGMP snooping (IPv4) and MLD snooping (IPv6) 	<ul style="list-style-type: none"> Comprehensive remote management capability enables complete view of network activity.
<ul style="list-style-type: none"> Generic Bus Support <ul style="list-style-type: none"> 8 or 16-bit generic host bus connectivity to FPGA or microprocessors (KSZ8862-16MQL) 32-bit generic host bus connectivity to FPGA or microprocessors (KSZ8862-32MQL) 	<ul style="list-style-type: none"> Ability to interface with wide variety of devices <ul style="list-style-type: none"> Connectivity to CPU/EEPROM for managed operation. On the fly configuration of switch/PHY operating parameters
<ul style="list-style-type: none"> Optimized power modes <ul style="list-style-type: none"> Full-chip hardware power-down, port-based software power save mode Lead-free packages Single 3.3V Supply Compact 128-pin PQFP 	<ul style="list-style-type: none"> Choose best package/power option for each environment <ul style="list-style-type: none"> Avg. power consumption of <400 mW. Ideal for low-power applications, increased reliability Environmentally friendly Simplified Power supply requirements Ability to operate in harsh environments Suitable for space constrained applications

Contact Micrel, Inc.

Location	Address	Telephone	Fax
Corporate HQ	2180 Fortune Drive	San Jose, CA 95131 USA	(408) 944-0800 (408) 474-1000
Eastern USA	93 Branch St.	Medford, NJ USA	(609) 654-0078 (609) 654-0989
Central USA	2425 N. Central Expressway, Suite 351	Richardson, TX 75080 USA	(972) 393-2533 (972) 393-2370
Western USA	2180 Fortune Drive	San Jose, CA 95131 USA	(408) 944-0800 (408) 474-1000
China	Rm 601, Bldg B, Int'l Chamber of Commerce Mansion, Fuhua Rd. 1, Futian Dist	Shenzhen, P.R. China 518048	+86 (755) 8302-7618 +86 (755) 8302-7637
Korea	8F, AnnJau Tower, 718-2 Yoeksam-Dong, Kangnam-Ku	Seoul 135-080 Korea	+82 (2) 538-2380 +82 (2) 538-2381
Taiwan	4F, No. 18 Lane 321, Yang-Guang Street, Nei-Hu Chu	Taipei 11475 Taiwan, R.O.C.	+886 (2) 8751-0600 +886 (2) 8751-0746
Japan	Queens Tower 14F, 2-3-1, Minatomirai, Nishi-ku Yokohama	Kangawa 220-6014 Japan	+81 (45) 224-6616 +81 (45) 224-6716
UK/EMEU	1st Floor, 3 Lockside Place, Mill Lane	Newbury, Berks RG14 5QS UK	+44 1635 524455 +44 1635 524466
Southern Europe	10, avenue du Quebec, Villebon BP116	Courtaboeuf Cedex 91944 France	+33 (0) 1 6092 4190 +33 (0) 6 0868 4489
Nordic Region	Lundagatan 11, 6tr	SE-171 63 SOIna Sweden	+46 8 470 5950 +46 70 572 7823
Latin America	2425 N. Central Expressway, Suite 351	Richardson, TX 75080 USA	(972) 393-2533 (972) 393-2370
New Zealand	Office 2, CML Building 2 Perry Street	Masterton, New Zealand	+64-6-378-9799 +64-6-378-9599
Singapore/India	300 Beach Road #10-07 The Concourse	Singapore 199555	(65) 6291-1318 (65) 6291-1332



Micrel Inc. TEL: +1 408.944.0800 FAX: + 1 408.474.1000 <http://www.micrel.com>

Stock Code:M9999-071006