

# TWO-CHANNEL HD AUDIO CODEC WITH MODEM & DUAL DIGITAL MICROPHONE INTERFACES

**STAC9250/9251**

## DESCRIPTION

The STAC9250/9251 are high fidelity, 2-channel audio CODECs compliant with the High Definition Audio (HD Audio) specification defined by Intel. The STAC9250/9251 enables a two-chip audio and modem implementation by integrating the "System Side" functionality of Silicon Labs' modem solution. The STAC9250/9251 provides a direct interface to Silicon Labs' "Line Side" integrated circuit. This integration results in cost savings without sacrificing audio fidelity or modem functionality. The STAC9251 also implements a direct interface to two digital microphones, supporting advanced beam forming applications and resulting in increased quality of voice applications.

## FEATURES

- **High-integration HD Audio Product**
  - 2-channel PC Audio CODEC
  - Modem "System-side" functionality<sup>1</sup>
  - Dual Digital Microphone interface(STAC9251)
- **Two-Channel DACs and ADCs with 24-bit sample resolution**
  - High performance  $\Sigma\Delta$  technology
  - Sample rates up to 192 KHz
  - 100dB DAC SNR

---

1. Modem functionality can only be used with a "Line Side" DAA integrated circuit, Si3080 or similar, available from Silicon Labs ([www.silabs.com](http://www.silabs.com)).

- **Integrated modem functionality from Silicon Labs<sup>1</sup> supports reduced BOM costs**
  - Interfaces directly to Line Side integrated circuit from Silicon Labs
  - Supports two-chip audio plus modem functionality
  - Supports Software modem implementations from Motorola and others compatible with the Silicon Labs chipset
  - Supports Motherboard implementations eliminating MDC card and connector costs
  - Reduced board space
  - Reduced external component count
- **Integrated Headphone Amps**
- **Stereo Analog Microphone**
  - Supports Stereo Microphone
  - Microphone Boost 0, 10, 20, 30, 40dB
- **S/PDIF In and Out**
- **Universal Jacks™ Functionality for jack retasking**
- **Adjustable VREF Out**
- **Digital PC Beep to all outputs**
- **48-pin LQFP Environmental Package**
- **Two-Channel High Definition Audio CODEC with Modem and Dual Digital Microphone Interfaces**

## Table of Contents

<b>1. DESCRIPTION</b> .....	<b>9</b>
1.1. Overview .....	9
1.2. Features .....	9
1.3. Description .....	10
<b>2. CHARACTERISTICS</b> .....	<b>11</b>
2.1. Audio Fidelity .....	11
2.2. Electrical Specifications .....	11
2.3. STAC9250/9251 5V Analog Performance Characteristics .....	13
2.4. STAC9250/9251 4V Analog Performance Characteristics .....	14
2.5. STAC9250/9251 3.3V Analog Performance Characteristics .....	14
2.6. Power Consumption .....	15
<b>3. DETAILED DESCRIPTION</b> .....	<b>16</b>
3.1. SPDIF Input .....	16
3.2. SPDIF Output .....	16
3.3. Digital Microphone Support (STAC9251 only) .....	16
3.4. SiLabs System Side Modem .....	16
3.5. Mono Out .....	16
3.6. Headphone Drivers (Restrictions) .....	17
3.7. Universal Jacks™ .....	17
<b>4. FUNCTIONAL BLOCK DIAGRAMS</b> .....	<b>18</b>
4.1. STAC9250 .....	18
4.2. STAC9251 .....	19
<b>5. WIDGET INFORMATION</b> .....	<b>20</b>
5.1. Widget Diagram - STAC9250 .....	20
5.2. Widget Diagram - STAC9251 .....	21
5.3. Widget List - STAC9250/9251 .....	22
5.4. Root Node (NID = 0x00) .....	23
5.5. AFG Node (NID = 0x01) .....	24
5.6. DAC0Cnvtr Node (NID = 0x02) .....	39
5.7. ADC0Cnvtr Node (NID = 0x03) .....	43
5.8. SPDIFinCnvtr Node (NID = 0x04) .....	48
5.9. SPDIFoutCnvtr Node (NID = 0x05) .....	54
5.10. DAC0Mux Node (NID = 0x06) .....	59
5.11. DigInPin Node (NID = 0x07) .....	62
5.12. DigOutPin Node (NID = 0x08) .....	68
5.13. ADC0VolMux Node (NID = 0x09) .....	73
5.14. MasterVol Node (NID = 0x0E) .....	77
5.15. InPortMux Node (NID = 0x0F) .....	80
5.16. PortAPin Node (NID = 0x0A) .....	84
5.17. PortDPin Node (NID = 0x0D) .....	89
5.18. PortCPin Node (NID = 0x0C) .....	95
5.19. PortBPin Node (NID = 0x0B) .....	101
5.20. MonoOutPin Node (NID = 0x10) .....	107
5.21. CDPin Node (NID = 0x11) .....	112
5.22. MonoOutMix Node (NID = 0x12) .....	115
5.23. PCBeep Node (NID = 0x13) .....	117
5.24. ADC0InMux Node (NID = 0x14) .....	120
5.25. DigMicPin Node (NID = 0x15) (STAC9251 only) .....	125
<b>6. ORDERING INFORMATION</b> .....	<b>129</b>
6.1. STAC9250/9251 Family Options and Part Order Numbers .....	129
6.2. STAC9250/9251 Pin Diagram .....	130
6.3. Pin Table for STAC9250/9251 .....	131
<b>7. PACKAGE DRAWINGS</b> .....	<b>133</b>

7.1. 48-Pin LQFP .....	133
<b>8. SOLDER REFLOW PROFILE .....</b>	<b>134</b>
8.1. Standard Reflow Profile Data .....	134
8.2. Pb Free Process - Package Classification Reflow Temperatures .....	135
<b>9. REVISION HISTORY .....</b>	<b>136</b>

## List of Figures

Figure 1. STAC9250 Functional Block Diagram .....	18
Figure 2. STAC9250 Functional Block Diagram .....	19
Figure 3. STAC9250 Widget Diagram .....	20
Figure 4. STAC9251 Widget Diagram .....	21
Figure 5. STAC9250/9251 Pin Diagram .....	130
Figure 6. 48-Pin LQFP Package Outline and Package Dimensions .....	133
Figure 7. Solder Reflow Profile .....	134

## List of Tables

Table 1. Digital Power Consumption .....	15
Table 2. 5V Analog Power Consumption .....	15
Table 3. High Definition Audio Widget .....	22
Table 4. Root PnpID Command Verb Format .....	23
Table 5. Root PnpID Command Response Format .....	23
Table 6. Root RevID Command Verb Format .....	23
Table 7. Root RevID Command Response Format .....	23
Table 8. Root NodeInfo Command Verb Format .....	24
Table 9. Root NodeInfo Command Response Format .....	24
Table 10. AFG Reset Command Verb Format .....	24
Table 11. AFG Reset Command Response Format .....	25
Table 12. AFG NodeInfo Command Verb Format .....	25
Table 13. AFG NodeInfo Command Response Format .....	25
Table 14. AFG Type Command Verb Format .....	26
Table 15. AFG Type Command Response Format .....	26
Table 16. AFG GrpCap Command Verb Format .....	26
Table 17. AFG GrpCap Command Response Format .....	26
Table 18. AFG FrmtCap Command Verb Format .....	27
Table 19. AFG FrmtCap Command Response Format .....	27
Table 20. AFG StreamCap Command Verb Format .....	28
Table 21. AFG StreamCap Command Response Format .....	28
Table 22. AFG PwrCap Command Verb Format .....	28
Table 23. AFG PwrCap Command Response Format .....	29
Table 24. AFG GPIOCap Command Verb Format .....	29
Table 25. AFG GPIOCap Command Response Format .....	30
Table 26. AFG OutAmpCap Command Verb Format .....	30
Table 27. AFG OutAmpCap Command Response Format .....	30
Table 28. AFG PwrState Command Verb Format .....	31
Table 29. AFG PwrState Command Response Format .....	31
Table 30. AFG UnsolResp Command Verb Format .....	31
Table 31. AFG UnsolResp Command Response Format .....	32
Table 32. AFG GPIO Command Verb Format .....	32

Table 33. AFG GPIO Command Response Format .....	32
Table 34. AFG GPIOEn Command Verb Format .....	33
Table 35. AFG GPIOEn Command Response Format .....	33
Table 36. AFG GPIODir Command Verb Format .....	34
Table 37. AFG GPIODir Command Response Format .....	34
Table 38. AFG GPIOWake Command Verb Format .....	35
Table 39. AFG GPIOWake Command Response Format .....	35
Table 40. AFG GPIOUnsolEn Command Verb Format .....	35
Table 41. AFG GPIOUnsolEn Command Response Format .....	36
Table 42. AFG GPIOSticky Command Verb Format .....	36
Table 43. AFG GPIOSticky Command Response Format .....	37
Table 44. AFG SysID Command Verb Format .....	37
Table 45. AFG SysID Command Response Format .....	38
Table 46. AFG DigMic (for STAC9251 only) Command Verb Format .....	38
Table 47. AFG DigMic (for STAC9251 only) Command Response Format .....	38
Table 48. DAC0Cnvtr Frmt Command Verb Format .....	39
Table 49. DAC0Cnvtr Frmt Command Response Format .....	39
Table 50. DAC0Cnvtr WCap Command Verb Format .....	40
Table 51. DAC0Cnvtr WCap Command Response Format .....	40
Table 52. DAC0Cnvtr PwrState Command Verb Format .....	41
Table 53. DAC0Cnvtr PwrState Command Response Format .....	41
Table 54. DAC0Cnvtr Stream Command Verb Format .....	42
Table 55. DAC0Cnvtr Stream Command Response Format .....	42
Table 56. ADC0Cnvtr Frmt Command Verb Format .....	43
Table 57. ADC0Cnvtr Frmt Command Response Format .....	43
Table 58. ADC0Cnvtr WCap Command Verb Format .....	44
Table 59. ADC0Cnvtr WCap Command Response Format .....	44
Table 60. ADC0Cnvtr ConnLen Command Verb Format .....	45
Table 61. ADC0Cnvtr ConnLen Command Response Format .....	45
Table 62. ADC0Cnvtr ConnLst Command Verb Format .....	46
Table 63. ADC0Cnvtr ConnLst Command Response Format .....	46
Table 64. ADC0Cnvtr ProcState Command Verb Format .....	46
Table 65. ADC0Cnvtr ProcState Command Response Format .....	46
Table 66. ADC0Cnvtr PwrState Command Verb Format .....	47
Table 67. ADC0Cnvtr PwrState Command Response Format .....	47
Table 68. ADC0Cnvtr Stream Command Verb Format .....	47
Table 69. ADC0Cnvtr Stream Command Response Format .....	47
Table 70. SPDIFinCnvtr Frmt Command Verb Format .....	48
Table 71. SPDIFinCnvtr Frmt Command Response Format .....	48
Table 72. SPDIFinCnvtr WCap Command Verb Format .....	49
Table 73. SPDIFinCnvtr WCap Command Response Format .....	49
Table 74. SPDIFinCnvtr FrmtCap Command Verb Format .....	50
Table 75. SPDIFinCnvtr FrmtCap Command Response Format .....	50
Table 76. SPDIFinCnvtr StreamCap Command Verb Format .....	51
Table 77. SPDIFinCnvtr StreamCap Command Response Format .....	52
Table 78. SPDIFinCnvtr ConnLen Command Verb Format .....	52
Table 79. SPDIFinCnvtr ConnLen Command Response Format .....	52
Table 80. SPDIFinCnvtr ConnLst Command Verb Format .....	52
Table 81. SPDIFinCnvtr ConnLst Command Response Format .....	53
Table 82. SPDIFinCnvtr Stream Command Verb Format .....	53
Table 83. SPDIFinCnvtr Stream Command Response Format .....	53
Table 84. SPDIFinCnvtr DigCtl Command Verb Format .....	53
Table 85. SPDIFinCnvtr DigCtl Command Response Format .....	54
Table 86. SPDIFoutCnvtr Frmt Command Verb Format .....	54
Table 87. SPDIFoutCnvtr Frmt Command Response Format .....	55

Table 88. SPDIFoutCnvtr WCap Command Verb Format .....	56
Table 89. SPDIFoutCnvtr WCap Command Response Format .....	56
Table 90. SPDIFoutCnvtr FrmtCap Command Verb Format .....	57
Table 91. SPDIFoutCnvtr FrmtCap Command Response Format .....	57
Table 92. SPDIFoutCnvtr StreamCap Command Verb Format .....	58
Table 93. SPDIFoutCnvtr StreamCap Command Response Format .....	58
Table 94. SPDIFoutCnvtr Stream Command Verb Format .....	58
Table 95. SPDIFoutCnvtr Stream Command Response Format .....	58
Table 96. SPDIFoutCnvtr DigCtl Command Verb Format .....	59
Table 97. SPDIFoutCnvtr DigCtl Command Response Format .....	59
Table 98. DAC0Mux WCap Command Verb Format .....	59
Table 99. DAC0Mux WCap Command Response Format .....	60
Table 100. DAC0Mux ConnLen Command Verb Format .....	60
Table 101. DAC0Mux ConnLen Command Response Format .....	61
Table 102. DAC0Mux ConnSel Command Verb Format .....	61
Table 103. DAC0Mux ConnSel Command Response Format .....	61
Table 104. DAC0Mux ConnLst Command Verb Format .....	61
Table 105. DAC0Mux ConnLst Command Response Format .....	61
Table 106. DAC0Mux LR Command Verb Format .....	62
Table 107. DAC0Mux LR Command Response Format .....	62
Table 108. DigInPin WCap Command Verb Format .....	62
Table 109. DigInPin WCap Command Response Format .....	63
Table 110. DigInPin Cap Command Verb Format .....	63
Table 111. DigInPin Cap Command Response Format .....	64
Table 112. DigInPin PwrState Command Verb Format .....	64
Table 113. DigInPin PwrState Command Response Format .....	64
Table 114. DigInPin Ctl Command Verb Format .....	65
Table 115. DigInPin Ctl Command Response Format .....	65
Table 116. DigInPin UnsolResp Command Verb Format .....	65
Table 117. DigInPin UnsolResp Command Response Format .....	66
Table 118. DigInPin Sense Command Verb Format .....	66
Table 119. DigInPin Sense Command Response Format .....	66
Table 120. DigInPin EAPD Command Verb Format .....	67
Table 121. DigInPin EAPD Command Response Format .....	67
Table 122. DigInPin Config Command Verb Format .....	67
Table 123. DigInPin Config Command Response Format .....	68
Table 124. DigOutPin WCap Command Verb Format .....	68
Table 125. DigOutPin WCap Command Response Format .....	68
Table 126. DigOutPin Cap Command Verb Format .....	69
Table 127. DigOutPin Cap Command Response Format .....	69
Table 128. DigOutPin ConnLen Command Verb Format .....	70
Table 129. DigOutPin ConnLen Command Response Format .....	70
Table 130. DigOutPin ConnSel Command Verb Format .....	71
Table 131. DigOutPin ConnSel Command Response Format .....	71
Table 132. DigOutPin ConnLst Command Verb Format .....	71
Table 133. DigOutPin ConnLst Command Response Format .....	71
Table 134. DigOutPin Ctl Command Verb Format .....	72
Table 135. DigOutPin Ctl Command Response Format .....	72
Table 136. DigOutPin Config Command Verb Format .....	72
Table 137. DigOutPin Config Command Response Format .....	72
Table 138. ADC0VolMux VolRight Command Verb Format .....	73
Table 139. ADC0VolMux VolRight Command Response Format .....	73
Table 140. ADC0VolMux VolLeft Command Verb Format .....	74
Table 141. ADC0VolMux VolLeft Command Response Format .....	74
Table 142. ADC0VolMux WCap Command Verb Format .....	74

Table 143. ADC0VolMux WCap Command Response Format .....	74
Table 144. ADC0VolMux OutAmpCap Command Verb Format .....	75
Table 145. ADC0VolMux OutAmpCap Command Response Format .....	75
Table 146. ADC0VolMux ConnLen Command Verb Format .....	76
Table 147. ADC0VolMux ConnLen Command Response Format .....	76
Table 148. ADC0VolMux ConnLst Command Verb Format .....	76
Table 149. ADC0VolMux ConnLst Command Response Format .....	76
Table 150. MasterVol Right Command Verb Format .....	77
Table 151. MasterVol Right Command Response Format .....	77
Table 152. MasterVol Left Command Verb Format .....	77
Table 153. MasterVol Left Command Response Format .....	77
Table 154. MasterVol WCap Command Verb Format .....	78
Table 155. MasterVol WCap Command Response Format .....	78
Table 156. MasterVol ConnLen Command Verb Format .....	79
Table 157. MasterVol ConnLen Command Response Format .....	79
Table 158. MasterVol ConnLst Command Verb Format .....	79
Table 159. MasterVol ConnLst Command Response Format .....	79
Table 160. InPortMux VolRight Command Verb Format .....	80
Table 161. InPortMux VolRight Command Response Format .....	80
Table 162. InPortMux VolLeft Command Verb Format .....	80
Table 163. InPortMux VolLeft Command Response Format .....	80
Table 164. InPortMux WCap Command Verb Format .....	80
Table 165. InPortMux WCap Command Response Format .....	81
Table 166. InPortMux ConnLen Command Verb Format .....	81
Table 167. InPortMux ConnLen Command Response Format .....	82
Table 168. InPortMux AmpCap Command Verb Format .....	82
Table 169. InPortMux AmpCap Command Response Format .....	82
Table 170. InPortMux ConnSel Command Verb Format .....	83
Table 171. InPortMux ConnSel Command Response Format .....	83
Table 172. InPortMux ConnLst0 Command Verb Format .....	83
Table 173. InPortMux ConnLst0 Command Response Format .....	83
Table 174. InPortMux ConnLst4 Command Verb Format .....	83
Table 175. InPortMux ConnLst4 Command Response Format .....	84
Table 176. PortAPin WCap Command Verb Format .....	84
Table 177. PortAPin WCap Command Response Format .....	84
Table 178. PortAPin Cap Command Verb Format .....	85
Table 179. PortAPin Cap Command Response Format .....	85
Table 180. PortAPin ConnLen Command Verb Format .....	86
Table 181. PortAPin ConnLen Command Response Format .....	86
Table 182. PortAPin ConnLst Command Verb Format .....	86
Table 183. PortAPin ConnLst Command Response Format .....	86
Table 184. PortAPin Ctl Command Verb Format .....	87
Table 185. PortAPin Ctl Command Response Format .....	87
Table 186. PortAPin UnsolResp Command Verb Format .....	87
Table 187. PortAPin UnsolResp Command Response Format .....	87
Table 188. PortAPin Sense Command Verb Format .....	88
Table 189. PortAPin Sense Command Response Format .....	88
Table 190. PortAPin Config Command Verb Format .....	89
Table 191. PortAPin Config Command Response Format .....	89
Table 192. PortDPin WCap Command Verb Format .....	90
Table 193. PortDPin WCap Command Response Format .....	90
Table 194. PortDPin Cap Command Verb Format .....	91
Table 195. PortDPin Cap Command Response Format .....	91
Table 196. PortDPin ConnLen Command Verb Format .....	91
Table 197. PortDPin ConnLen Command Response Format .....	92

Table 198. PortDPin ConnLst Command Verb Format .....	92
Table 199. PortDPin ConnLst Command Response Format .....	92
Table 200. PortDPin Ctl Command Verb Format .....	92
Table 201. PortDPin Ctl Command Response Format .....	93
Table 202. PortDPin UnsolResp Command Verb Format .....	93
Table 203. PortDPin UnsolResp Command Response Format .....	93
Table 204. PortDPin Sense Command Verb Format .....	94
Table 205. PortDPin Sense Command Response Format .....	94
Table 206. PortDPin Config Command Verb Format .....	94
Table 207. PortDPin Config Command Response Format .....	95
Table 208. PortCPin WCap Command Verb Format .....	95
Table 209. PortCPin WCap Command Response Format .....	95
Table 210. PortCPin Cap Command Verb Format .....	96
Table 211. PortCPin Cap Command Response Format .....	96
Table 212. PortCPin ConnLen Command Verb Format .....	97
Table 213. PortCPin ConnLen Command Response Format .....	97
Table 214. PortCPin ConnLst Command Verb Format .....	98
Table 215. PortCPin ConnLst Command Response Format .....	98
Table 216. PortCPin Ctl Command Verb Format .....	98
Table 217. PortCPin Ctl Command Response Format .....	98
Table 218. PortCPin UnsolResp Command Verb Format .....	99
Table 219. PortCPin UnsolResp Command Response Format .....	99
Table 220. PortCPin Sense Command Verb Format .....	100
Table 221. PortCPin Sense Command Response Format .....	100
Table 222. PortCPin Config Command Verb Format .....	100
Table 223. PortCPin Config Command Response Format .....	101
Table 224. PortBPin WCap Command Verb Format .....	101
Table 225. PortBPin WCap Command Response Format .....	101
Table 226. PortBPin Cap Command Verb Format .....	102
Table 227. PortBPin Cap Command Response Format .....	102
Table 228. PortBPin ConnLen Command Verb Format .....	103
Table 229. PortBPin ConnLen Command Response Format .....	103
Table 230. PortBPin ConnLst Command Verb Format .....	104
Table 231. PortBPin ConnLst Command Response Format .....	104
Table 232. PortBPin Ctl Command Verb Format .....	104
Table 233. PortBPin Ctl Command Response Format .....	104
Table 234. PortBPin UnsolResp Command Verb Format .....	105
Table 235. PortBPin UnsolResp Command Response Format .....	105
Table 236. PortBPin Sense Command Verb Format .....	106
Table 237. PortBPin Sense Command Response Format .....	106
Table 238. PortBPin Config Command Verb Format .....	106
Table 239. PortBPin Config Command Response Format .....	107
Table 240. MonoOutPin Vol Command Verb Format .....	107
Table 241. MonoOutPin Vol Command Response Format .....	107
Table 242. MonoOutPin WCap Command Verb Format .....	108
Table 243. MonoOutPin WCap Command Response Format .....	108
Table 244. MonoOutPin Cap Command Verb Format .....	109
Table 245. MonoOutPin Cap Command Response Format .....	109
Table 246. MonoOutPin ConnLen Command Verb Format .....	110
Table 247. MonoOutPin ConnLen Command Response Format .....	110
Table 248. MonoOutPin ConnLst Command Verb Format .....	110
Table 249. MonoOutPin ConnLst Command Response Format .....	110
Table 250. MonoOutPin Ctl Command Verb Format .....	111
Table 251. MonoOutPin Ctl Command Response Format .....	111
Table 252. MonoOutPin Config Command Verb Format .....	111

Table 253. MonoOutPin Config Command Response Format .....	111
Table 254. CDPin WCap Command Verb Format .....	112
Table 255. CDPin WCap Command Response Format .....	112
Table 256. CDPin Cap Command Verb Format .....	113
Table 257. CDPin Cap Command Response Format .....	113
Table 258. CDPin Ctl Command Verb Format .....	114
Table 259. CDPin Ctl Command Response Format .....	114
Table 260. CDPin Config Command Verb Format .....	114
Table 261. CDPin Config Command Response Format .....	115
Table 262. MonoOutMix WCap Command Verb Format .....	115
Table 263. MonoOutMix WCap Command Response Format .....	116
Table 264. MonoOutMix ConnLen Command Verb Format .....	116
Table 265. MonoOutMix ConnLen Command Response Format .....	117
Table 266. MonoOutMix ConnLst Command Verb Format .....	117
Table 267. MonoOutMix ConnLst Command Response Format .....	117
Table 268. PCBeep Vol Command Verb Format .....	117
Table 269. PCBeep Vol Command Response Format .....	118
Table 270. PCBeep WCap Command Verb Format .....	118
Table 271. PCBeep WCap Command Response Format .....	118
Table 272. PCBeep OutAmpCap Command Verb Format .....	119
Table 273. PCBeep OutAmpCap Command Response Format .....	119
Table 274. PCBeep Gen Command Verb Format .....	119
Table 275. PCBeep Gen Command Response Format .....	120
Table 276. ADC0InMux WCap Command Verb Format .....	120
Table 277. ADC0InMux WCap Command Response Format .....	120
Table 278. ADC0InMux ConnLen Command Verb Format .....	121
Table 279. ADC0InMux ConnLen Command Response Format .....	121
Table 280. ADC0InMux ConnSel Command Verb Format .....	122
Table 281. ADC0InMux ConnSel Command Response Format .....	122
Table 282. ADC0InMux ConnLst Command Verb Format .....	122
Table 283. ADC0InMux ConnLst Command Response Format .....	122
Table 284. ADC0InMux LR Command Verb Format .....	123
Table 285. ADC0InMux LR Command Response Format .....	123
Table 286. ADC0InMux OutAmpCap Command Verb Format .....	123
Table 287. ADC0InMux OutAmpCap Command Response Format .....	123
Table 288. ADC0InMux VolRight Command Verb Format .....	124
Table 289. ADC0InMux VolRight Command Response Format .....	124
Table 290. ADC0InMux VolLeft Command Verb Format .....	124
Table 291. ADC0InMux VolLeft Command Response Format .....	124
Table 292. DigMicPin WCap (for STAC9251 only) Command Verb Format .....	125
Table 293. DigMicPin WCap (for STAC9251 only) Command Response Format .....	125
Table 294. DigMicPin Cap (for STAC9251 only) Command Verb Format .....	126
Table 295. DigMicPin Cap (for STAC9251 only) Command Response Format .....	126
Table 296. DigMicPin Ctl (for STAC9251 only) Command Verb Format .....	127
Table 297. DigMicPin Ctl (for STAC9251 only) Command Response Format .....	127
Table 298. DigMicPin Config (for STAC9251 only) Command Verb Format .....	127
Table 299. DigMicPin Config (for STAC9251 only) Command Response Format .....	127
Table 300. STAC9250/9251 Ordering Information .....	129



## 1. DESCRIPTION

### 1.1. Overview

The STAC9250/9251 are high fidelity, 2-channel audio CODECs compliant with the High Definition Audio (HD Audio) specification defined by Intel. The STAC9250/9251 enables a two-chip audio and modem implementation by integrating the “System Side” functionality of Silicon Labs’ modem solution. The STAC9250/9251 provides a direct interface to Silicon Labs’ “Line Side” integrated circuit. This integration results in cost savings without sacrificing audio fidelity or modem functionality. The STAC9251 also implements a direct interface to two digital microphones supporting advanced beam forming applications resulting in increased quality of voice applications.

### 1.2. Features

- High-integration HD Audio Product
  - 2-channel PC Audio CODEC
  - Modem “System-side” functionality<sup>1</sup>
  - Dual Digital Microphone interface (STAC9251)
- Two-Channel DACs and ADCs with 24-bit sample resolution
  - High performance  $\Sigma\Delta$  technology
  - Sample rates up to 192 KHz
  - 100dB DAC SNR
- Integrated modem functionality from Silicon Labs<sup>1</sup> supports reduced BOM costs
  - Interfaces directly to Line Side integrated circuit from Silicon Labs
  - Supports two-chip audio plus modem functionality
  - Supports software modem implementations from Motorola and others compatible with the Silicon Labs chipset
  - Supports motherboard implementations eliminating MDC card and connector costs
  - Reduced board space
  - Reduced external component count
- Integrated Headphone Amps
- Stereo Analog Microphone
  - Supports Stereo Microphone
  - Microphone Boost 0, 10, 20, 30, 40dB
- Dual Digital Microphone Interface optimized for use with Akustica Digital Microphones. (STAC9251 only)
- S/PDIF In and Out
- Universal Jacks™ Functionality for jack retasking
- Adjustable VREF Out
- Digital PC Beep to all outputs
- 48-pin LQFP Environmental Package

---

1. Modem functionality can only be used with a “Line Side” DAA integrated circuit, Si3080 or similar, available from Silicon Labs ([www.silabs.com](http://www.silabs.com)).

### 1.3. Description

The STAC9250/9251 are high fidelity, 2-channel audio CODECs compatible with the Intel High Definition (HD) Audio Interface. The STAC9250/9251 provide high quality, HD Audio capability to notebook and cost sensitive desktop PC applications.

The STAC9250/9251 incorporate IDT's proprietary  $\Sigma\Delta$  technology to achieve a DAC SNR of 100dB. The higher performance and quality of IDT's audio solutions brings consumer electronics level performance to the notebook, desktop and media center PC.

The STAC9250/9251 provide stereo 24-bit, full duplex resolution supporting sample rates up to 192 KHz by the DAC and ADC. The STAC9250/9251 SPDIF In/Out support sample rates of 96 KHz, 48 KHz and 44.1 KHz plus SPDIF\_OUT supports 88.2 KHz. Additional sample rates are supported by the driver software.

The STAC9250/9251 supports flexible configurations including switchable Headphone Out and Universal Jacks™ functionality for jack detection and re-tasking. The SPDIF interface provides connectivity to Consumer Electronic equipment like Dolby Digital decoders, powered speakers, mini-disk drives or to a home entertainment system. All analog I/O pairs support LINE\_IN, LINE\_OUT and MIC.

MIC inputs can be programmed with 0/10/20/30/40dB boost. For more advanced configurations, the STAC9250/9251 have four General Purpose I/O (GPIO) pins. The STAC9250/9251 also provide a single ended CD input for compatibility with DRM solutions and to support legacy OS issues.

The STAC9250/9251 integrate a headphone amplifier, which is available on Ports A and D. The headphone amplifier is switchable between these two outputs for increased flexibility, enhanced user experience, and reduced implementation costs.

The Universal Jack capabilities allow the CODECs to detect when audio devices are connected, and allow the CODECs to be reconfigured to support these devices regardless of which port they are connected to. SPDIF input sensing is also supported. The fully parametric IDT SoftEQ can be initiated upon headphone jack insertion and removal for protection of notebook speakers.

*Note: The Jack Detect circuit and component selection are critical for accurate detection of audio jacks on individual ports. Please see the IDT STAC9250/9251 reference design for circuit implementation details.*

The STAC9250/9251 operate with a 3.3 V digital supply and a 3.3 V, 4 V, and 5 V analog supply.

The STAC9250/9251 are available in a 48-pin LQFP Environmental (ROHS) package.

## 2. CHARACTERISTICS

### 2.1. Audio Fidelity

DAC SNR: 100dB

ADC SNR: 90dB

### 2.2. Electrical Specifications

#### 2.2.1. Absolute Maximum Ratings

Stresses above the ratings listed below can cause permanent damage to the STAC9250/9251. These ratings, which are standard values for IDT commercially rated parts, are stress ratings only. Functional operation of the device at these or any other conditions above those indicated in the operational sections of the specifications is not implied. Exposure to absolute maximum rating conditions for extended periods can affect product reliability. Electrical parameters are guaranteed only over the recommended operating temperature range.

Item	Pin	Maximum Rating
Analog maximum supply voltage	AVdd	6 Volts
Digital maximum supply voltage	DVdd	5.5 Volts
VREFOUT output current		5 mA
Voltage on any pin relative to ground		Vss - 0.3 V to Vdd + 0.3 V
Operating temperature		0°C to +70°C
Storage temperature		-55 °C to +125 °C
Soldering temperature		260 °C for 10 seconds * Soldering temperature information for all available packages begins on page 134.

#### 2.2.2. Recommended Operation Conditions

Parameter		Min.	Typ.	Max.	Units
Power Supply Voltage	Digital - 3.3 V	3.135	3.3	3.465	V
	Analog - 3.3 V	3.135	3.3	3.465	V
(Note: The +4 V Analog voltage is supported by the +5 V version of the STAC9250/9251.)	Analog - 4 V	3.8	4	4.2	V
	Analog - 5 V	4.75	5	5.25	V
Ambient Operating Temperature		0		+70	°C
Case Temperature	T <sub>case</sub> (48-LQFP)			+90	°C

**ESD:** The STAC9250/9251 is an ESD (electrostatic discharge) sensitive device. The human body and test equipment can accumulate and discharge electrostatic charges up to 4000 Volts without detection. Even though the STAC9250/9251 implements internal ESD protection circuitry, proper ESD precautions should be followed to avoid damaging the functionality or performance.

### 2.3. STAC9250/9251 5V Analog Performance Characteristics

( $T_{\text{ambient}} = 25\text{ }^{\circ}\text{C}$ ,  $AV_{\text{dd}} = 5.0\text{ V} \pm 5\%$ ,  $DV_{\text{dd}} = 3.3\text{ V} \pm 5\%$ ,  $AV_{\text{ss}} = DV_{\text{ss}} = 0\text{ V}$ ; 1 KHz input sine wave; Sample Frequency = 48 KHz; 0dB = 1 VRMS, 10 K $\Omega$  / 50 pF load, Testbench Characterization BW: 20 Hz – 20 KHz, 0dB settings on all gain stages)

Min and Max performance targets are not included here, as specific system characteristics, such as layout, routing and external CODEC component selection, influence the performance of the CODEC. To receive min/max levels for your system, please send us a unit and IDT will perform a full audio test suite and provide you with the results. Contact IDT for more information.

Parameter	Min	Typ	Max	Unit
<b>Full Scale Input Voltage:</b>				
All Analog Inputs with out boost	-	1.00	-	Vrms
All Analog Inputs with boost (Note 1)	-	0.03	-	Vrms
<b>Full Scale Output:</b>				
PCM (DAC) to All Analog Outputs	-	1.00	-	Vrms
HEADPHONE_OUT (32 $\Omega$ load) per channel (peak)	-	50	-	mW
<b>Dynamic Range: -60dB signal level (Note 2)</b>				
PCM to All Analog Outputs	-	99	-	dB
All Analog Inputs to A/D (1 VRMS Input Referenced)	-	88	-	dB
Analog Frequency Response (Note 3)	10	-	30,000	Hz
<b>Total Harmonic Distortion + Noise (-3dB): (Note 4)</b>				
PCM to All Analog Outputs	-	-90	-	dB
All Analog Inputs to A/D (-3dBV input Level)	-	-87	-	dB
HEADPHONE_OUT (32 $\Omega$ load)	-	-87	-	dB
HEADPHONE_OUT (10 K $\Omega$ load)	-	-90	-	dB
<b>SNR (idle channel) (Note 5)</b>				
DAC to All Analog Outputs	-	100	-	dB
All Analog Inputs to A/D with High Pass Filter enabled	-	89	-	dB
A/D & D/A Digital Filter Pass Band (Note 6)	20	-	19,200	Hz
A/D & D/A Digital Filter Transition Band	19,200	-	28,800	Hz
A/D & D/A Digital Filter Stop Band	28,800	-	-	Hz
A/D & D/A Digital Filter Stop Band Rejection (Note 7)	-100	-	-	dB
DAC Out-of-Band Rejection (Note 8)	-55	-	-	dB
Group Delay (48 KHz sample rate)	-	-	1	ms
Power Supply Rejection Ratio (1 KHz)	-	-70	-	dB
Power Supply Rejection Ratio (20 KHz)	-	-40	-	dB
Any Analog Input to ADC (10 KHz Signal Frequency) Crosstalk	-	-90	-	dB
Any Analog Input to ADC (1 KHz Signal Frequency) Crosstalk	-	-90	-	dB
Spurious Tone Rejection	-	-100	-	dB

Parameter	Min	Typ	Max	Unit
Attenuation, Gain Step Size ANALOG	-	1.5	-	dB
Attenuation, Gain Step Size DIGITAL	-	0.75	-	dB
Input Impedance	-	50	-	K $\Omega$
Input Capacitance	-	15	-	pF
VREFout	-	0.5 X AVdd	-	V
VREF	-	0.45 X AVdd	0.5	V
Interchannel Gain Mismatch ADC	-	-	0.5	dB
Interchannel Gain Mismatch DAC	-	-	-	dB
Gain Drift	-	100	-	ppm/ $^{\circ}$ C
DAC Offset Voltage	-	5	10	mV
Deviation from Linear Phase	-	10	1	deg.
All Analog Outputs Load Resistance	-	10	-	K $\Omega$
All Analog Outputs Load Capacitance	-	-	50	pF
HEADPHONE_OUT Load Resistance	-	32	-	$\Omega$
HEADPHONE_OUT Load Capacitance	-	100	-	pF
Mute Attenuation	-	-	-	dB
PLL lock time	-	96	200	$\mu$ sec
PLL (or HD Audio Bit CLK) 24.576 MHz clock jitter	-	100	300	psec

1. With +30dB Boost on, 1.00 Vrms with Boost off.
2. Ratio of Full Scale signal to noise output with -60dB signal, measured "A weighted" over a 20 Hz to a 20 KHz bandwidth.
3.  $\pm$  1dB limits for Line Output & 0dB gain, at -20dBV
4. Amplitude of THD+N, measured with A-weighting filter, over 20 Hz to 20 KHz bandwidth.
5. Ratio of Full Scale signal to idle channel noise output is measured "A weighted" over a 20 Hz to a 20 KHz bandwidth. (AES17-1991 Idle Channel Noise or EIAJ CP-307 Signal-to-noise Ratio).
6. Peak-to-Peak Ripple over Passband meets  $\pm$  0.25dB limits, 48 KHz Sample Frequency.
7. Stop Band rejection determines filter requirements. Out-of-Band rejection determines audible noise.
8. The integrated Out-of-Band noise generated by the DAC process, during normal PCM audio playback, over a bandwidth 28.8 to 100 KHz, with respect to a 1 Vrms DAC output.

#### 2.4. STAC9250/9251 4V Analog Performance Characteristics

If you are interested in using the STAC9250/9251 at 4V Analog, please contact IDT for more information.

#### 2.5. STAC9250/9251 3.3V Analog Performance Characteristics

If you are interested in using the STAC9250/9251 at 3.3V Analog, please contact IDT for more information.

## 2.6. Power Consumption

### 2.6.1. Digital

Audio Power State	Modem Power State	Typical	Max	units
D0	D0 INIT	41	43	mA
D1	D0 UN INIT	28	29	mA
D2	D3 HOT	34	36	mA
D3	D3 COLD	27	28	mA

Table 1. Digital Power Consumption

### 2.6.2. 5V Analog

Audio Power State	Modem Power State	Typical	Max	units
D0	D0 INIT	30	36	mA
D1	D0 UN INIT	12	26	mA
D2	D3 HOT	12	26	mA
D3	D3 COLD	11	26	mA

Table 2. 5V Analog Power Consumption

### 3. DETAILED DESCRIPTION

#### 3.1. SPDIF Input

SPDIF IN can operate at 44.1 KHz or 96 KHz, and implements internal Jack Sensing. A sophisticated digital PLL allows automatic rate detection and accurate data recovery. The ability to directly accept consumer SPDIF voltage levels eliminates the need for costly external receiver ICs. Advanced features such as record slot select and SPDIF\_IN routing to the DAC allows for simultaneous record and play.

#### 3.2. SPDIF Output

SPDIF OUT can operate at 44.1 KHz, 48 KHz, 88.2 KHz, and 96 KHz, as defined in the Intel High Definition Audio Specification, with resolutions up to 24 bits. This insures compatibility with all consumer audio gear and allows for convenient integration into home theater systems and media center PCs.

#### 3.3. Digital Microphone Support (STAC9251 only)

The STAC9251 has a three-pin digital microphone interface that accepts high-rate, single-bit data streams from two digital microphones. Each microphone requires only one data line. Both microphones share a single clock line. This robust digital interface gives designers the flexibility to place the microphones in the optimum location on a system (such as along the top of the screen bezel) and use a simple, 3-wire ribbon cable to directly connect the microphones to the STAC9251 CODEC.

#### 3.4. SiLabs System Side Modem

A licensed Silicon Labs System Side modem based on the Si3054 architecture is integrated into STAC9250/9251. Combined with a Silicon Labs Line Side IC (Si3080 or similar), the STAC9250/9251 allows designers to implement a two-chip HD Audio and HD Modem solution for significant cost and board space savings.

#### 3.5. Mono Out

The MONO Output is connected to pin 37 and has independent volume and mute control (see the Widget listing for details). The MONO Output derives its input from the output of the summing node that drives PORT A and PORT D. The following analog signals feed the summing amplifier that feeds the MONO Out summing amplifier:

- DAC Output: When enabled, both DAC Outputs are summed together.
- Analog PC Beep: Source from Pin 12
- ADC Input: Stereo analog feed into the stereo ADC input.

The combination of the stereo channels from DAC are combined into a single analog signal with a -6dB degradation in signal strength.



### 3.6. Headphone Drivers (Restrictions)

It is not recommended that users operate both Port A and Port D as headphone drivers simultaneously. Using both ports as headphone drivers degrades the signal quality of both outputs.<sup>1</sup>

*Note: 1) Headphone capabilities are on Port A (pins 39/41) and Port D (pins 35/36). Do NOT put headphone loads on both sets of pins at the same time.*

### 3.7. Universal Jacks™

IDT's Universal Jacks™ technology allows for flexibility in board design and implementation.

On the STAC9250/9251, only one function can be selected at a time. A set of pins cannot be set as input and output at the same time. However, the selected function can be changed at any time.

For the STAC9250/9251, the Universal Jacks capabilities are as follows

- All of the STAC9250/9251 ports support:
  - Line Out
  - Line In
  - Mic with 0/10/20/30/40<sup>2</sup> dB Mic Boost
- Ports A and D also support:
  - Headphone Out<sup>1</sup>

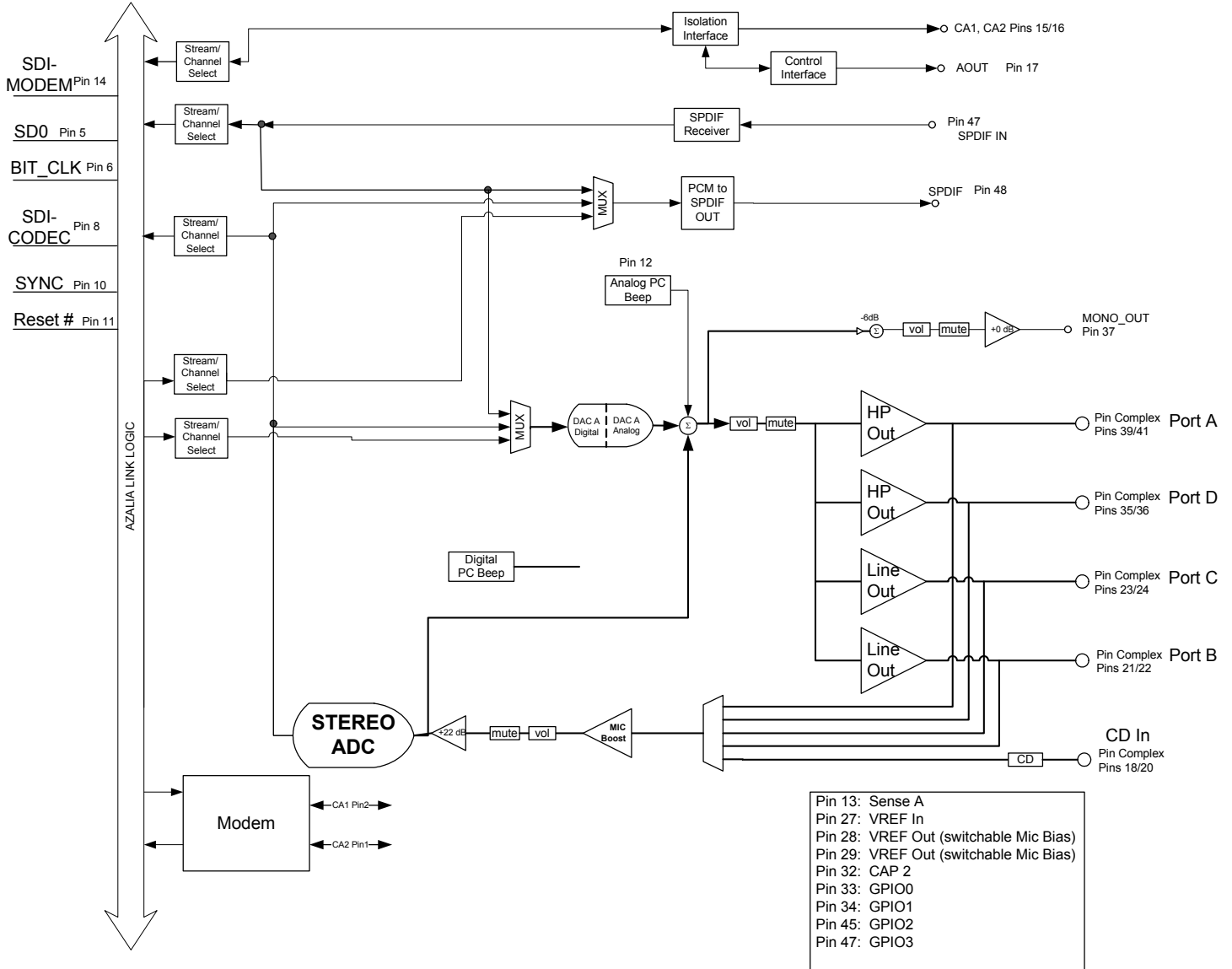
*Note: 1) Headphone capabilities are on Port A (pins 39/41) and Port D (pins 35/36). Do NOT put headphone loads on both sets of pins at the same time.*

*Note: 2) When the 40dB mic boost feature is enabled, additional gain increases greater than 6dB may result in significant audio quality degradation of the microphone audio input. In particular, when the 40dB MIC boost is active, the SNR, THD+N and DC offset will significantly degrade regardless of the input signal level.*

## 4. FUNCTIONAL BLOCK DIAGRAMS

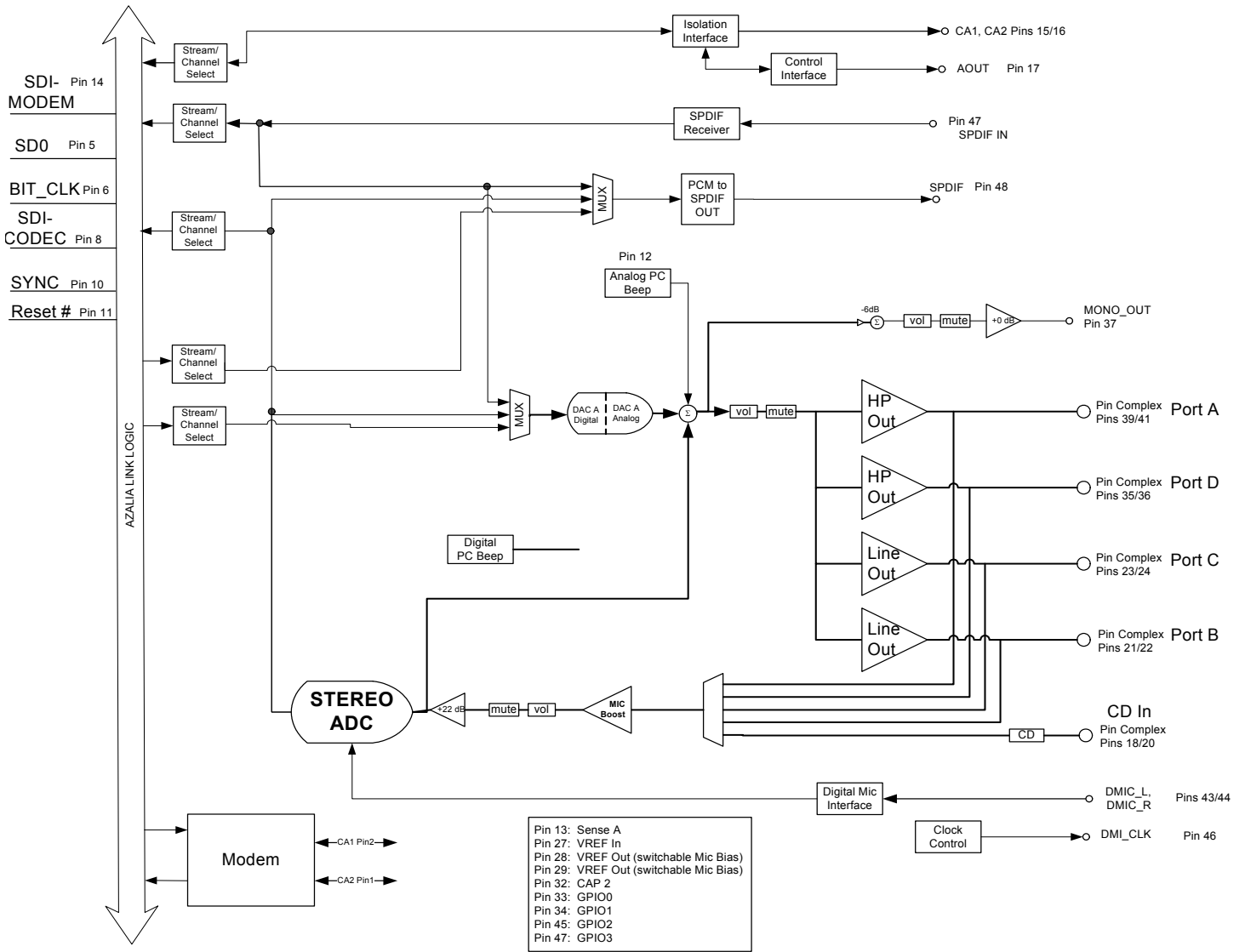
### 4.1. STAC9250

Figure 1. STAC9250 Functional Block Diagram



4.2. STAC9251

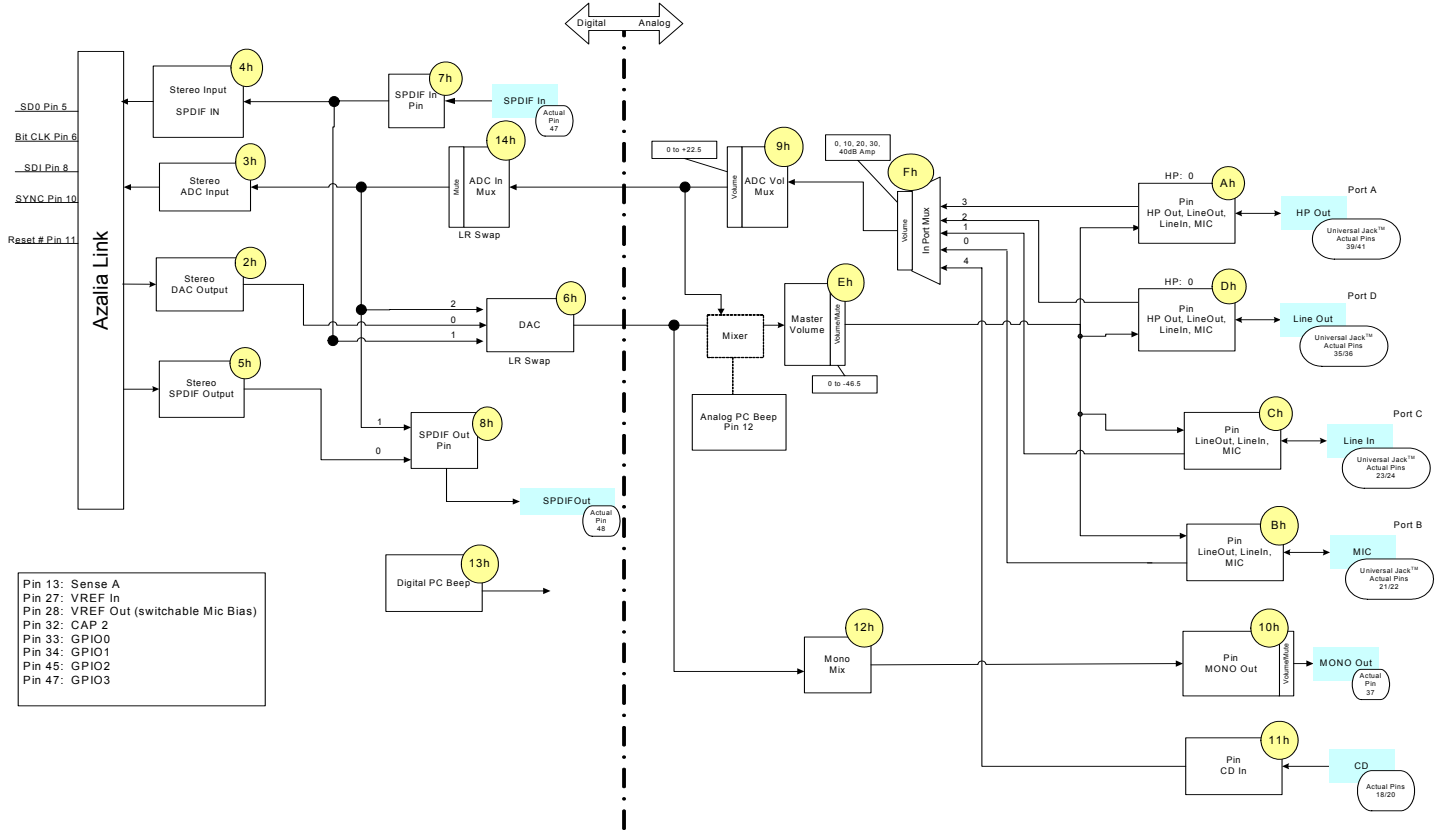
Figure 2. STAC9250 Functional Block Diagram



## 5. WIDGET INFORMATION

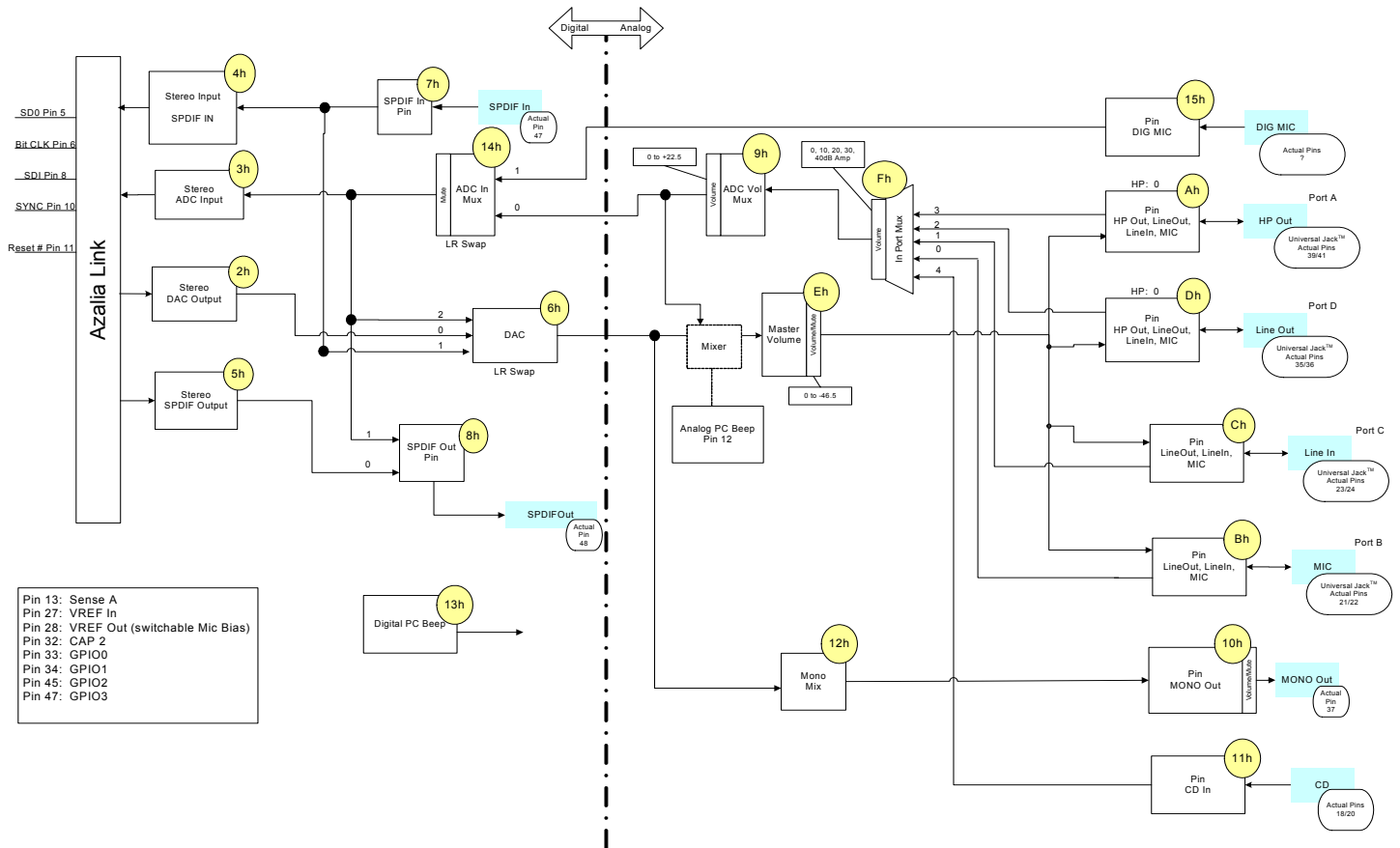
### 5.1. Widget Diagram - STAC9250

Figure 3. STAC9250 Widget Diagram



### 5.2. Widget Diagram - STAC9251

Figure 4. STAC9251 Widget Diagram



### 5.3. Widget List - STAC9250/9251

Table 3. High Definition Audio Widget

ID	Widget Name	Description
00h	Root	Root Node
01h	Audio Function Group	Audio Function Group (AFG)
02h	DAC0	Stereo Output to DAC
03h	ADC0	Stereo Input from ADC
04h	SPDIF_IN	Stereo Input for SPDIF_In
05h	SPDIF_OUT	Stereo Output for SPDIF_Out
06h	DAC0Mux	DAC Mux and Boost for outputs for DAC
07h	DigPin1	Pin Widget for SPDIF_In (pin 47)
08h	DigPin0	Pin Widget for SPDIF_Out (pin 48)
09h	ADC0VolMux	ADC0 Volume
0Eh	MasterVolume	Master Volume Controls
0Fh	InPortMux	Port Mux for ADC0
0Ah	Port A	Port A Pin Widget (Pins 39/41, configurable as HP, Line In, Line Out, Mic)
0Dh	Port D	Port D Pin Widget (Pins 35/36, configurable as HP, Line In, Line Out, Mic)
0Ch	Port C	Port C Pin Widget (Pins 23/24, configurable as Line Out, Mic)
0Bh	Port B	Port B Pin Widget (Pins 21/22, configurable as Line Out, Mic)
10h	MonoOut	Mono Output from DAC
11h	CD	CD Pin Widget pins 18/19/20
12h	MonoOutMix	Mixer for Mono Output
13h	Digital PC Beep	Digital PC Beep
14h	ADC0InMux	Input Mux for ADC converter
15h	DigMicPin	Pin Widget for Digital Microphone (Pins 43/44/46 configurable as a Mic) (STAC9251 only)

## 5.4. Root Node (NID = 0x00)

### 5.4.1. Root PnpID

Table 4. Root PnpID Command Verb Format

	Verb ID	Payload	Response
Get	F00	00	See bitfield table

Table 5. Root PnpID Command Response Format

Bit	Bitfield Name	RW	Reset	Description
[31:16]	Vendor	R	0x8384	Vendor ID = 8384h
[15:0]	Device	R	0x7630	Device ID for: STAC9250 = 7634 STAC9251 = 7636

### 5.4.2. Root RevID

Table 6. Root RevID Command Verb Format

	Verb ID	Payload	Response
Get	F00	02	See bitfield table

Table 7. Root RevID Command Response Format

Bit	Bitfield Name	RW	Reset	Description
[31:24]	Rsvd	R	0x00	Reserved
[23:20]	Major	R	0x1	Major rev number of compliant HD Audio specification
[19:16]	Minor	R	0x0	Minor rev number of compliant HD Audio specification
[15:8]	Vendor	R	0x01	Vendor rev number for this device ID
[7:0]	Stepping	R	0x01	Vendor stepping number within the given Vendor RevID

### 5.4.3. Root NodeInfo

Table 8. Root NodeInfo Command Verb Format

	Verb ID	Payload	Response
<b>Get</b>	F00	04	See bitfield table

Table 9. Root NodeInfo Command Response Format

Bit	Bitfield Name	RW	Reset	Description
[31:24]	Rsvd2	R	0x00	Reserved
[23:16]	StartNID	R	0x01	Starting node number (NID) of first function group
[15:8]	Rsvd1	R	0x00	Reserved
[7:0]	TotalNodes	R	0x01	Total number of nodes

## 5.5. AFG Node (NID = 0x01)

### 5.5.1. AFG Reset

Table 10. AFG Reset Command Verb Format

	Verb ID	Payload	Response
<b>Get</b>	7FF	00	See bitfield table
<b>Set1</b>	7FF	See bits [7:0] of bitfield table	0000_0000h



Table 11. AFG Reset Command Response Format

Bit	Bitfield Name	RW	Reset	Description
[31:0]	Response	R	0x0	Reserved. Overlaps Execute.
[0]	Execute	W	0x0	Function Reset. Function Group reset is executed when the Set verb 7FF is written with 8-bit payload of 00h. The CODEC should issue a response to acknowledge receipt of the verb, and then reset the affected Function Group and all associated widgets to their power-on reset values. Some controls such as Configuration Default controls should not be reset. Overlaps Response.

### 5.5.2. AFG NodeInfo

Table 12. AFG NodeInfo Command Verb Format

	Verb ID	Payload	Response
Get	F00	04	See bitfield table

Table 13. AFG NodeInfo Command Response Format

Bit	Bitfield Name	RW	Reset	Description
[31:24]	Rsvd2	R	0x0	Reserved
[23:16]	StartNID	R	0x02	Starting node number for function group subordinate nodes.
[15:8]	Rsvd1	R	0x0	Reserved
[7:0]	TotalNodes	R	0x14	Total number of nodes. 13h for STAC9250 14h for STAC9251

### 5.5.3. AFG Type

Table 14. AFG Type Command Verb Format

	Verb ID	Payload	Response
Get	F00	05	See bitfield table

Table 15. AFG Type Command Response Format

Bit	Bitfield Name	RW	Reset	Description
[31:9]	Rsvd	R	0x0	Reserved
[8]	Unsol	R	0x1	This node is capable of generating an unsolicited response, and will respond to the Unsolicited Response verb (Verb ID 708h).
[7:0]	NodeType	R	0x01	Node type = Audio Function Group

### 5.5.4. AFG GrpCap

Table 16. AFG GrpCap Command Verb Format

	Verb ID	Payload	Response
Get	F00	08	See bitfield table

Table 17. AFG GrpCap Command Response Format

Bit	Bitfield Name	RW	Reset	Description
[31:17]	Rsvd3	R	0x0	Reserved
[16]	BeepGen	R	0x1	Optional Beep Generator is present
[15:12]	Rsvd2	R	0x0	Reserved
[11:8]	InputDelay	R	0xD	Typical latency = 13 frames. Number of samples between when the sample is received as an analog signal at the pin and when the digital representation is transmitted on the HD Audio link.

Table 17. AFG GrpCap Command Response Format

Bit	Bitfield Name	RW	Reset	Description
[7:4]	Rsvd1	R	0x0	Reserved
[3:0]	OutputDelay	R	0xD	Typical latency = 13 frames. Number of samples between when the signal is received from the HD Audio link and when it appears as an analog signal at the pin.

### 5.5.5. AFG FrmtCap

Table 18. AFG FrmtCap Command Verb Format

	Verb ID	Payload	Response
Get	F00	0A	See bitfield table

Table 19. AFG FrmtCap Command Response Format

Bit	Bitfield Name	RW	Reset	Description
[31:21]	Rsvd2	R	0x0	Reserved
[20]	B32	R	0x0	32 bit audio formats are NOT supported
[19]	B24	R	0x1	24 bit audio formats are supported
[18]	B20	R	0x1	20 bit audio formats are supported
[17]	B16	R	0x1	16 bit audio formats are supported
[16]	B8	R	0x0	8 bit audio formats are NOT supported
[15:12]	Rsvd1	R	0x0	Reserved
[11]	R12	R	0x0	384 KHz rate (8/1*48 KHz) NOT supported
[10]	R11	R	0x1	192.0 KHz rate (4/1*48 KHz) supported
[9]	R10	R	0x1	176.4 KHz rate (4/1*44.1 KHz) supported
[8]	R9	R	0x1	96.0 KHz rate (2/1*48 KHz) supported
[7]	R8	R	0x1	88.2 KHz rate (2/1*44.1 KHz) supported

Table 19. AFG FrmtCap Command Response Format

Bit	Bitfield Name	RW	Reset	Description
[6]	R7	R	0x1	48.0 KHz rate supported (REQUIRED)
[5]	R6	R	0x1	44.1 KHz rate supported
[4]	R5	R	0x0	32.0 KHz rate (2/3*48 KHz) NOT supported
[3]	R4	R	0x0	22.05 KHz rate (1/2*44.1 KHz) NOT supported
[2]	R3	R	0x0	16.0 KHz rate (1/3*48 KHz) NOT supported
[1]	R2	R	0x0	11.025 KHz rate (1/4*44.0 KHz) NOT supported
[0]	R1	R	0x0	8.0 KHz rate (1/6*48 KHz) NOT supported

### 5.5.6. AFG StreamCap

Table 20. AFG StreamCap Command Verb Format

	Verb ID	Payload	Response
<b>Get</b>	F00	0B	See bitfield table

Table 21. AFG StreamCap Command Response Format

Bit	Bitfield Name	RW	Reset	Description
[31:3]	Rsvd	R	0x0	Reserved
[2]	NonPCM	R	0x0	No support for non-PCM (AC3) data.
[1]	Float32	R	0x0	No support for single-precision floating-point data.
[0]	PCM	R	0x1	PCM-formatted data supported.

### 5.5.7. AFG PwrCap

Table 22. AFG PwrCap Command Verb Format

	Verb ID	Payload	Response
<b>Get</b>	F00	0F	See bitfield table

Table 23. AFG PwrCap Command Response Format

Bit	Bitfield Name	RW	Reset	Description
[31:4]	Rsvd	R	0x0	Reserved
[3]	D3	R	0x1	Power State D3 is supported. Allows for lowest possible power consuming state under software control (and still properly respond to a subsequent Power State command).
[2]	D2	R	0x1	Power State D2 is supported. Allows for lowest possible power consuming state from which it can return to fully on state within 10 ms.
[1]	D1	R	0x1	Power State D1 is supported. Allows for lowest possible power consuming state from which it can return to fully on state within 10 ms, excepting analog pass-through circuits which must remain fully on.
[0]	D0	R	0x1	Power State D0 is supported. Node power state is fully on.

### 5.5.8. AFG GPIOCap

Table 24. AFG GPIOCap Command Verb Format

	Verb ID	Payload	Response
<b>Get</b>	F00	11	See bitfield table

Table 25. AFG GPIOCap Command Response Format

Bit	Bitfield Name	RW	Reset	Description
[31]	GPIWake	R	0x1	Wake capability. Assuming the Wake Enable Mask controls are enabled, GPIOs configured as inputs can cause a wake (generate a Status Change event on the link) when there is a change in level on the pin.
[30]	GPIUnsol	R	0x1	Unsolicited Response capability. Assuming the Unsolicited Enable Mask controls are enabled, GPIOs configured as inputs can generate an Unsolicited Response on the link when there is a change in level on the pin.
[29:24]	Rsvd	R	0x0	Reserved
[23:16]	NumGPIs	R	0x00	Number of GPI pins supported
[15:8]	NumGPOs	R	0x00	Number of GPO pins supported
[7:0]	NumGPIOs	R	0x04	Number of GPIO pins supported

### 5.5.9. AFG OutAmpCap

Table 26. AFG OutAmpCap Command Verb Format

	Verb ID	Payload	Response
Get	F00	12	See bitfield table

Table 27. AFG OutAmpCap Command Response Format

Bit	Bitfield Name	RW	Reset	Description
[31]	Mute	R	0x1	Amplifier is capable of muting
[30:23]	Rsvd3	R	0x0	Reserved
[22:16]	StepSize	R	0x05	Size of each step in the gain range = 1.5dB
[15]	Rsvd2	R	0x0	Reserved
[14:8]	NumSteps	R	0x1F	Number of steps in the gain range = 31 (32 values, -46.5dB to +0dB)

Table 27. AFG OutAmpCap Command Response Format

Bit	Bitfield Name	RW	Reset	Description
[7]	Rsvd1	R	0x0	Reserved
[6:0]	Offset	R	0x1F	0dB-step is programmed with this offset

### 5.5.10. AFG PwrState

Table 28. AFG PwrState Command Verb Format

	Verb ID	Payload	Response
<b>Get</b>	F05	00	See bitfield table
<b>Set1</b>	705	See bits [7:0] of bitfield table	0000_0000h

Table 29. AFG PwrState Command Response Format

Bit	Bitfield Name	RW	Reset	Description
[31:8]	Rsvd2	R	0x0	Reserved
[7:4]	Act	R	0x2	PS-Act: Actual power state of referenced node.
[3:2]	Rsvd1	R	0x0	Reserved
[1:0]	Set	RW	0x2	PS-Set: Current power setting of referenced node. 0: All Powered-On 1: D1 => PR0, PR1 2: D2 => PR0, PR1, PR2, PR6, EAPD 3: D3 => PR6, PR5, PR3, PR2, PR1, PR0, EAPD Note: PR4 is not mapped in HD Audio

### 5.5.11. AFG UnsolResp

Table 30. AFG UnsolResp Command Verb Format

	Verb ID	Payload	Response
<b>Get</b>	F08	00	See bitfield table
<b>Set1</b>	708	See bits [7:0] of bitfield table	0000_0000h

Table 31. AFG Unsolicited Command Response Format

Bit	Bitfield Name	RW	Reset	Description
[31:8]	Rsvd2	R	0x0	Reserved
[7]	En	RW	0x0	Allow generation of Unsolicited Responses.
[6]	Rsvd1	R	0x0	Reserved
[5:0]	Tag	RW	0x0	Software programmable field returned in top six bits (31:26) of every Unsolicited Response generated by this node.

### 5.5.12. AFG GPIO

Table 32. AFG GPIO Command Verb Format

	Verb ID	Payload	Response
<b>Get</b>	F15	00	See bitfield table
<b>Set1</b>	715	See bits [7:0] of bitfield table	0000_0000h

Table 33. AFG GPIO Command Response Format

Bit	Bitfield Name	RW	Reset	Description
[31:4]	Rsvd	R	0x0	Reserved
[3]	Data3	RW	0x0	Data for GPIO3 (Pin 47/EAPD). If this GPIO bit is configured as Sticky (edge-sensitive) input, it can be cleared by writing zero (one) here when the corresponding Polarity Control bit is zero (one).
[2]	Data2	RW	0x0	Data for GPIO2 (Pin 45). If this GPIO bit is configured as Sticky (edge-sensitive) input, it can be cleared by writing zero (one) here when the corresponding Polarity Control bit is zero (one).



Table 33. AFG GPIO Command Response Format

Bit	Bitfield Name	RW	Reset	Description
[1]	Data1	RW	0x0	Data for GPIO1 (Pin 34). If this GPIO bit is configured as Sticky (edge-sensitive) input, it can be cleared by writing zero (one) here when the corresponding Polarity Control bit is zero (one).
[0]	Data0	RW	0x0	Data for GPIO0 (Pin 33). If this GPIO bit is configured as Sticky (edge-sensitive) input, it can be cleared by writing zero (one) here when the corresponding Polarity Control bit is zero (one).

### 5.5.13. AFG GPIOEn

Table 34. AFG GPIOEn Command Verb Format

	Verb ID	Payload	Response
<b>Get</b>	F16	00	See bitfield table
<b>Set1</b>	716	See bits [7:0] of bitfield table	0000_0000h

Table 35. AFG GPIOEn Command Response Format

Bit	Bitfield Name	RW	Reset	Description
[31:4]	Rsvd	R	0x0	Reserved
[3]	Mask3	RW	0x0	Enable for GPIO3: 0 = pin is disabled (Hi-Z state); 1 = pin is enabled; behavior determined by GPIO Direction control
[2]	Mask2	RW	0x0	Enable for GPIO2: 0 = pin is disabled (Hi-Z state); 1 = pin is enabled; behavior determined by GPIO Direction control

Table 35. AFG GPIOEn Command Response Format

Bit	Bitfield Name	RW	Reset	Description
[1]	Mask1	RW	0x0	Enable for GPIO1: 0 = pin is disabled (Hi-Z state); 1 = pin is enabled; behavior determined by GPIO Direction control
[0]	Mask0	RW	0x0	Enable for GPIO0: 0 = pin is disabled (Hi-Z state); 1 = pin is enabled; behavior determined by GPIO Direction control

#### 5.5.14. AFG GPIODir

Table 36. AFG GPIODir Command Verb Format

	Verb ID	Payload	Response
<b>Get</b>	F17	00	See bitfield table
<b>Set1</b>	717	See bits [7:0] of bitfield table	0000_0000h

Table 37. AFG GPIODir Command Response Format

Bit	Bitfield Name	RW	Reset	Description
[31:4]	Rsvd	R	0x0	Reserved
[3]	Control3	RW	0x0	Direction control for GPIO3 0 = GPIO signal is configured as input 1 = GPIO signal is configured as output
[2]	Control2	RW	0x0	Direction control for GPIO2 0 = GPIO signal is configured as input 1 = GPIO signal is configured as output
[1]	Control1	RW	0x0	Direction control for GPIO1 0 = GPIO signal is configured as input 1 = GPIO signal is configured as output
[0]	Control0	RW	0x0	Direction control for GPIO0 0 = GPIO signal is configured as input 1 = GPIO signal is configured as output

## 5.5.15. AFG GPIOWake

Table 38. AFG GPIOWake Command Verb Format

	Verb ID	Payload	Response
<b>Get</b>	F18	00	See bitfield table
<b>Set1</b>	718	See bits [7:0] of bitfield table	0000_0000h

Table 39. AFG GPIOWake Command Response Format

Bit	Bitfield Name	RW	Reset	Description
[31:4]	Rsvd	R	0x0	Reserved
[3]	En3	RW	0x0	Wake enable for GPIO3: 0 = wake-up event is disabled; 1 = when HD Audio link is powered down (RST# is asserted), a wake-up event will trigger a Status Change Request event on the link.
[2]	En2	RW	0x0	Wake enable for GPIO2: 0 = wake-up event is disabled; 1 = when HD Audio link is powered down (RST# is asserted), a wake-up event will trigger a Status Change Request event on the link.
[1]	En1	RW	0x0	Wake enable for GPIO1: 0 = wake-up event is disabled; 1 = when HD Audio link is powered down (RST# is asserted), a wake-up event will trigger a Status Change Request event on the link.
[0]	En0	RW	0x0	Wake enable for GPIO0: 0 = wake-up event is disabled; 1 = when HD Audio link is powered down (RST# is asserted), a wake-up event will trigger a Status Change Request event on the link.

## 5.5.16. AFG GPIOUnsolEn

Table 40. AFG GPIOUnsolEn Command Verb Format

	Verb ID	Payload	Response
<b>Get</b>	F19	00	See bitfield table
<b>Set1</b>	719	See bits [7:0] of bitfield table	0000_0000h

Table 41. AFG GPIOUnsolEn Command Response Format

Bit	Bitfield Name	RW	Reset	Description
[31:4]	Rsvd	R	0x0	Reserved
[3]	Mask3	RW	0x0	Unsolicited enable mask for GPIO3. If set, and the Unsolicited Response control for this widget has been enabled, an unsolicited response will be sent when GPIO3 is configured as input and changes state.
[2]	Mask2	RW	0x0	Unsolicited enable mask for GPIO2. If set, and the Unsolicited Response control for this widget has been enabled, an unsolicited response will be sent when GPIO2 is configured as input and changes state.
[1]	Mask1	RW	0x0	Unsolicited enable mask for GPIO1. If set, and the Unsolicited Response control for this widget has been enabled, an unsolicited response will be sent when GPIO1 is configured as input and changes state.
[0]	Mask0	RW	0x0	Unsolicited enable mask for GPIO0. If set, and the Unsolicited Response control for this widget has been enabled, an unsolicited response will be sent when GPIO0 is configured as input and changes state.

### 5.5.17. AFG GPIOSticky

Table 42. AFG GPIOSticky Command Verb Format

	Verb ID	Payload	Response
<b>Get</b>	F1A	00	See bitfield table
<b>Set1</b>	71A	See bits [7:0] of bitfield table	0000_0000h

Table 43. AFG GPIOSticky Command Response Format

Bit	Bitfield Name	RW	Reset	Description
[31:4]	Rsvd	R	0x0	Reserved
[3]	Mask3	RW	0x0	GPIO3 input type (when configured as input): 0 = Non-Sticky (level-sensitive) 1 = Sticky (edge-sensitive) Sticky inputs are cleared by writing zero to corresponding bit of GPIO Data register. GPIOPolarity determines rising or falling edge sensitivity.
[2]	Mask2	RW	0x0	GPIO2 input type (when configured as input): 0 = Non-Sticky (level-sensitive) 1 = Sticky (edge-sensitive) Sticky inputs are cleared by writing zero to corresponding bit of GPIO Data register. GPIOPolarity determines rising or falling edge sensitivity.
[1]	Mask1	RW	0x0	GPIO1 input type (when configured as input): 0 = Non-Sticky (level-sensitive) 1 = Sticky (edge-sensitive) Sticky inputs are cleared by writing zero to corresponding bit of GPIO Data register. GPIOPolarity determines rising or falling edge sensitivity.
[0]	Mask0	RW	0x0	GPIO0 input type (when configured as input): 0 = Non-Sticky (level-sensitive) 1 = Sticky (edge-sensitive) Sticky inputs are cleared by writing zero to corresponding bit of GPIO Data register. GPIOPolarity determines rising or falling edge sensitivity.

### 5.5.18. AFG SysID

Table 44. AFG SysID Command Verb Format

	Verb ID	Payload	Response
<b>Get</b>	F20	00	See bitfield table
<b>Set1</b>	720	See bits [7:0] of bitfield table	0000_0000h
<b>Set2</b>	721	See bits [15:8] of bitfield table	0000_0000h
<b>Set3</b>	722	See bits [23:16] of bitfield table	0000_0000h
<b>Set4</b>	723	See bits [31:24] of bitfield table	0000_0000h

Table 45. AFG SysID Command Response Format

Bit	Bitfield Name	RW	Reset	Description
[31:24]	Subsystem3	RW	0x00	Subsystem ID. (Any non-zero value)
[23:16]	Subsystem2	RW	0x00	Subsystem ID. (Any non-zero value)
[15:8]	Subsystem1	RW	0x01	Subsystem ID. (Any non-zero value)
[7:0]	Assembly	RW	0x00	Assembly ID. (Not applicable to CODEC vendors)

### 5.5.19. AFG DigMic for STAC9251 only

Table 46. AFG DigMic (for STAC9251 only) Command Verb Format

	Verb ID	Payload	Response
<b>Get</b>	FEA	00	See bitfield table
<b>Set1</b>	7EA	See bits [7:0] of bitfield table	0000_0000h

Table 47. AFG DigMic (for STAC9251 only) Command Response Format

Bit	Bitfield Name	RW	Reset	Description
[31:8]	Rsvd	R	0x0	Reserved
[7:6]	PhAdj	RW	0x0	Selects what phase of the DigMic clock the data should be latched: 0 = rising edge 1 = center of high 2 = falling edge 3 = center of low
[5:4]	Rate	RW	0x2	Selects the DigMic rate: 0 = 4 MHz 1 = 3 MHz 2 = 2 MHz 3 = 1 MHz

Table 47. AFG DigMic (for STAC9251 only) Command Response Format

Bit	Bitfield Name	RW	Reset	Description
[3:2]	Rsvd2	R	0x0	Reserved
[1:0]	Mode	RW	0x1	Selects the DigMic mode: 0 = disabled 1 = dual mono 2 = single stereo 0 3 = single stereo 1

## 5.6. DAC0Cnvtr Node (NID = 0x02)

### 5.6.1. DAC0Cnvtr Frmt

Table 48. DAC0Cnvtr Frmt Command Verb Format

	Verb ID	Payload	Response
<b>Get</b>	A	0000	See bitfield table
<b>Set1</b>	2	See bits [15:0] of bitfield table	0000_0000h

Table 49. DAC0Cnvtr Frmt Command Response Format

Bit	Bitfield Name	RW	Reset	Description
[31:16]	Rsvd2	R	0x0	Reserved
[15]	StrmType	R	0x0	Stream Type: only PCM streams are supported by this widget.
[14]	RateBase	RW	0x0	Sample Base Rate 0 = 48 KHz 1 = 44.1 KHz
[13:11]	RateMult	RW	0x0	Sample Base Rate Multiple 000 = 48 KHz / 44.1 KHz or less 001 = x2 010 = Reserved (x3) 011 = x4 100-111 = Reserved

Table 49. DAC0Cnvtr Frmt Command Response Format

Bit	Bitfield Name	RW	Reset	Description
[10:8]	RateDiv	RW	0x0	Sample Base Rate Divisor 000 = Divide by 1 001 = Divide by 2 010 = Divide by 3 011 = Divide by 4 100 = Divide by 5 101 = Divide by 6 110 = Divide by 7 111 = Divide by 8
[7]	Rsvd1	R	0x0	Reserved
[6:4]	NumBits	RW	0x3	Bits per Sample: 000 = 8 bits 001 = 16 bits 010 = 20 bits 011 = 24 bits 100-111 = Reserved
[3:0]	NumChan	RW	0x1	Number of Channels in each frame of the stream. 0000 = 1 channel 0001 = 2 channels ... 1111 = 16 channels

### 5.6.2. DAC0Cnvtr WCap

Table 50. DAC0Cnvtr WCap Command Verb Format

	Verb ID	Payload	Response
<b>Get</b>	F00	09	See bitfield table

Table 51. DAC0Cnvtr WCap Command Response Format

Bit	Bitfield Name	RW	Reset	Description
[31:24]	Rsvd2	R	0x0	Reserved
[23:20]	Type	R	0x0	Widget type = Audio Output
[19:16]	Delay	R	0xD	Number of sample delays through widget
[15:12]	Rsvd1	R	0x0	Reserved



Table 51. DAC0Cnvtr WCap Command Response Format

Bit	Bitfield Name	RW	Reset	Description
[11]	SwapCap	R	0x0	No left/right channel swap capability
[10]	PwrCntrl	R	0x1	Power State control is supported
[9]	DigitalStrm	R	0x0	Widget supports an Analog stream
[8]	ConnList	R	0x0	No connection list is present
[7]	UnsolCap	R	0x0	No support for Unsolicited Response
[6]	ProcWidget	R	0x0	No Processing Controls parameter
[5]	Stripe	R	0x0	No support for striping
[4]	FormatOvrd	R	0x0	No format info; use default format parameters from Audio Function node instead
[3]	AmpParamOvrd	R	0x0	No amplifier info; use default amplifier parameters from Audio Function node instead
[2]	OutAmpPrsnt	R	0x0	No output amp
[1]	InAmpPrsnt	R	0x0	No input amp
[0]	Stereo	R	0x1	Stereo widget

### 5.6.3. DAC0Cnvtr PwrState

Table 52. DAC0Cnvtr PwrState Command Verb Format

	Verb ID	Payload	Response
<b>Get</b>	F05	00	See bitfield table
<b>Set1</b>	705	See bits [7:0] of bitfield table	0000_0000h

Table 53. DAC0Cnvtr PwrState Command Response Format

Bit	Bitfield Name	RW	Reset	Description
[31:8]	Rsvd2	R	0x0	Reserved
[7:4]	Act	R	0x3	PS-Act: Actual power state of referenced node.

Table 53. DAC0Cnvtr PwrState Command Response Format

Bit	Bitfield Name	RW	Reset	Description
[3:2]	Rsvd1	R	0x0	Reserved
[1:0]	Set	RW	0x3	PS-Set: Current power setting of referenced node. 00 - Fully on. 01 - Fully on. 10 - Fully on. 11 - Powered down.

#### 5.6.4. DAC0Cnvtr Stream

Table 54. DAC0Cnvtr Stream Command Verb Format

	Verb ID	Payload	Response
<b>Get</b>	F06	00	See bitfield table
<b>Set1</b>	706	See bits [7:0] of bitfield table	0000_0000h

Table 55. DAC0Cnvtr Stream Command Response Format

Bit	Bitfield Name	RW	Reset	Description
[31:8]	Rsvd	R	0x0	Reserved
[7:4]	ID	RW	0x0	Software-programmable integer representing link stream ID used by the converter widget. By convention stream 0 is reserved as unused.
[3:0]	Ch	RW	0x0	Integer representing lowest channel used by converter.

## 5.7. ADC0Cnvtr Node (NID = 0x03)

### 5.7.1. ADC0Cnvtr Frmt

Table 56. ADC0Cnvtr Frmt Command Verb Format

	Verb ID	Payload	Response
<b>Get</b>	A	0000	See bitfield table
<b>Set1</b>	2	See bits [15:0] of bitfield table	0000_0000h

Table 57. ADC0Cnvtr Frmt Command Response Format

Bit	Bitfield Name	RW	Reset	Description
[31:16]	Rsvd2	R	0x0	Reserved
[15]	StrmType	RW	0x0	Stream Type 0 = PCM 1 = Non-PCM (remaining bits in this verb have other meanings)
[14]	RateBase	RW	0x0	Sample Base Rate 0 = 48 KHz 1 = 44.1 KHz
[13:11]	RateMult	RW	0x0	Sample Base Rate Multiple 000 = 48 KHz / 44.1 KHz or less 001 = x2 010 = Reserved (x3) 011 = x4 100-111 = Reserved
[10:8]	RateDiv	RW	0x0	Sample Base Rate Divisor 000 = Divide by 1 001 = Divide by 2 010 = Divide by 3 011 = Divide by 4 100 = Divide by 5 101 = Divide by 6 110 = Divide by 7 111 = Divide by 8
[7]	Rsvd1	R	0x0	Reserved

Table 57. ADC0Cnvtr Frmt Command Response Format

Bit	Bitfield Name	RW	Reset	Description
[6:4]	NumBits	RW	0x3	Bits per Sample 000 = 8 bits 001 = 16 bits 010 = 20 bits 011 = 24 bits 100-111 = Reserved
[3:0]	NumChan	RW	0x1	Number of Channels in each frame of the stream. 0000 = 1 channel 0001 = 2 channels ... 1111 = 16 channels

### 5.7.2. ADC0Cnvtr WCap

Table 58. ADC0Cnvtr WCap Command Verb Format

	Verb ID	Payload	Response
Get	F00	09	See bitfield table

Table 59. ADC0Cnvtr WCap Command Response Format

Bit	Bitfield Name	RW	Reset	Description
[31:24]	Rsvd2	R	0x0	Reserved
[23:20]	Type	R	0x1	Widget type = Audio Input
[19:16]	Delay	R	0xD	Number of sample delays through widget
[15:12]	Rsvd1	R	0x0	Reserved
[11]	SwapCap	R	0x0	No left/right channel swap capability
[10]	PwrCntrl	R	0x1	Power State control is supported
[9]	DigitalStrm	R	0x0	Widget supports an Analog stream
[8]	ConnList	R	0x1	Connection list is present
[7]	UnsolCap	R	0x0	No support for Unsolicited Response

Table 59. ADC0Cnvtr WCap Command Response Format

Bit	Bitfield Name	RW	Reset	Description
[6]	ProcWidget	R	0x1	Software should query the Processing Controls parameter for this widget.
[5]	Stripe	R	0x0	No support for striping
[4]	FormatOvrd	R	0x0	No format info; use default format parameters from Audio Function node instead
[3]	AmpParamOvrd	R	0x0	No amplifier info; use default amplifier parameters from Audio Function node instead
[2]	OutAmpPrsnt	R	0x0	No output amp
[1]	InAmpPrsnt	R	0x0	No input amp
[0]	Stereo	R	0x1	Stereo widget

### 5.7.3. ADC0Cnvtr ConnLen

Table 60. ADC0Cnvtr ConnLen Command Verb Format

	Verb ID	Payload	Response
<b>Get</b>	F00	0E	See bitfield table

Table 61. ADC0Cnvtr ConnLen Command Response Format

Bit	Bitfield Name	RW	Reset	Description
[31:8]	Rsvd	R	0x0	Reserved.
[7]	LongForm	R	0x0	Connection list uses short-form (7-bit) NID entries.
[6:0]	N	R	0x01	Number of NID entries in connection list.

### 5.7.4. ADC0Cnvtr ConnLst

Table 62. ADC0Cnvtr ConnLst Command Verb Format

	Verb ID	Payload	Response
Get	F02	00	See bitfield table

Table 63. ADC0Cnvtr ConnLst Command Response Format

Bit	Bitfield Name	RW	Reset	Description
[31:24]	Entry3	R	0x00	Unused list entry.
[23:16]	Entry2	R	0x00	Unused list entry.
[15:8]	Entry1	R	0x00	Unused list entry.
[7:0]	Entry0	R	0x14	ADC0InMux

### 5.7.5. ADC0Cnvtr ProcState

Table 64. ADC0Cnvtr ProcState Command Verb Format

	Verb ID	Payload	Response
Get	F03	00	See bitfield table
Set1	703	See bits [7:0] of bitfield table	0000_0000h

Table 65. ADC0Cnvtr ProcState Command Response Format

Bit	Bitfield Name	RW	Reset	Description
[31:8]	Rsvd2	R	0x0	Reserved
[7]	HPFOffsetDis	RW	0x0	High Pass Filter Offset Calculation Disable 0 = Calculation enabled. 1 = Calculation disabled.
[6:2]	Rsvd1	R	0x0	Reserved
[1:0]	HPFByp	RW	0x1	Processing State = 00 (OFF): bypass the ADC high pass filter; Processing State = 01, 10, 11 (ON or BENIGN): ADC high pass filter is enabled.

5.7.6. *ADC0Cnvtr PwrState*

Table 66. ADC0Cnvtr PwrState Command Verb Format

	Verb ID	Payload	Response
<b>Get</b>	F05	00	See bitfield table
<b>Set1</b>	705	See bits [7:0] of bitfield table	0000_0000h

Table 67. ADC0Cnvtr PwrState Command Response Format

Bit	Bitfield Name	RW	Reset	Description
[31:8]	Rsvd2	R	0x0	Reserved
[7:4]	Act	R	0x3	PS-Act: Actual power state of referenced node.
[3:2]	Rsvd1	R	0x0	Reserved
[1:0]	Set	RW	0x3	PS-Set: Current power setting of referenced node. 00 - Fully on. 01 - Fully on. 10 - Fully on. 11 - Powered down (default powered down)

5.7.7. *ADC0Cnvtr Stream*

Table 68. ADC0Cnvtr Stream Command Verb Format

	Verb ID	Payload	Response
<b>Get</b>	F06	00	See bitfield table
<b>Set1</b>	706	See bits [7:0] of bitfield table	0000_0000h

Table 69. ADC0Cnvtr Stream Command Response Format

Bit	Bitfield Name	RW	Reset	Description
[31:8]	Rsvd	R	0x0	Reserved

Table 69. ADC0Cnvtr Stream Command Response Format

Bit	Bitfield Name	RW	Reset	Description
[7:4]	ID	RW	0x0	Software-programmable integer representing link stream ID used by the converter widget. By convention stream 0 is reserved as unused.
[3:0]	Ch	RW	0x0	Integer representing lowest channel used by converter

## 5.8. SPDIFinCnvtr Node (NID = 0x04)

### 5.8.1. SPDIFinCnvtr Frmt

Table 70. SPDIFinCnvtr Frmt Command Verb Format

	Verb ID	Payload	Response
<b>Get</b>	A	0000	See bitfield table
<b>Set1</b>	2	See bits [15:0] of bitfield table	0000_0000h

Table 71. SPDIFinCnvtr Frmt Command Response Format

Bit	Bitfield Name	RW	Reset	Description
[31:16]	Rsvd2	R	0x0	Reserved
[15]	StrmType	RW	0x0	N/A. (Stream Type 0 = PCM 1 = Non-PCM)
[14]	RateBase	RW	0x0	Sample Base Rate 0 = 48 KHz 1 = 44.1 KHz
[13:11]	RateMult	RW	0x0	Sample Base Rate Multiple 000 = 48 KHz / 44.1 KHz or less 001 = x2 010 = Reserved (x3) 011 = x4 100-111 = Reserved



Table 71. SPDIFinCnvtr Frmt Command Response Format

Bit	Bitfield Name	RW	Reset	Description
[10:8]	RateDiv	RW	0x0	Sample Base Rate Divisor 000 = Divide by 1 001 = Divide by 2 010 = Divide by 3 011 = Divide by 4 100 = Divide by 5 101 = Divide by 6 110 = Divide by 7 111 = Divide by 8
[7]	Rsvd1	R	0x0	Reserved
[6:4]	NumBits	RW	0x3	Bits per Sample 000 = 8 bits 001 = 16 bits 010 = 20 bits 011 = 24 bits 100-111 = Reserved
[3:0]	NumChan	RW	0x1	Number of Channels in each frame of the stream. 0000 = 1 channel 0001 = 2 channels ... 1111 = 16 channels

### 5.8.2. SPDIFinCnvtr WCap

Table 72. SPDIFinCnvtr WCap Command Verb Format

	Verb ID	Payload	Response
<b>Get</b>	F00	09	See bitfield table

Table 73. SPDIFinCnvtr WCap Command Response Format

Bit	Bitfield Name	RW	Reset	Description
[31:24]	Rsvd2	R	0x0	Reserved
[23:20]	Type	R	0x1	Widget type = Audio Input
[19:16]	Delay	R	0x4	Number of sample delays through widget
[15:12]	Rsvd1	R	0x0	Reserved

Table 73. SPDIFinCnvtr WCap Command Response Format

Bit	Bitfield Name	RW	Reset	Description
[11]	SwapCap	R	0x0	No left/right channel swap capability
[10]	PwrCntrl	R	0x0	No support for Power State control
[9]	DigitalStrm	R	0x1	Widget supports a Digital stream
[8]	ConnList	R	0x1	Connection list is present
[7]	UnsolCap	R	0x0	No support for Unsolicited Response
[6]	ProcWidget	R	0x0	No Processing Controls parameter
[5]	Stripe	R	0x0	No support for striping
[4]	FormatOvrd	R	0x1	Widget contains format info; software should query
[3]	AmpParamOvrd	R	0x0	No amplifier info; use default amplifier parameters from Audio Function node instead
[2]	OutAmpPrsnt	R	0x0	No output amp
[1]	InAmpPrsnt	R	0x0	No input amp
[0]	Stereo	R	0x1	Stereo widget

### 5.8.3. SPDIFinCnvtr FrmtCap

Table 74. SPDIFinCnvtr FrmtCap Command Verb Format

	Verb ID	Payload	Response
<b>Get</b>	F00	0A	See bitfield table

Table 75. SPDIFinCnvtr FrmtCap Command Response Format

Bit	Bitfield Name	RW	Reset	Description
[31:21]	Rsvd2	R	0x0	Reserved
[20]	B32	R	0x0	32 bit audio formats are NOT supported
[19]	B24	R	0x1	24 bit audio formats are supported

Table 75. SPDIFinCnvtr FrmtCap Command Response Format

Bit	Bitfield Name	RW	Reset	Description
[18]	B20	R	0x1	20 bit audio formats are supported
[17]	B16	R	0x1	16 bit audio formats are supported
[16]	B8	R	0x0	8 bit audio formats are NOT supported
[15:12]	Rsvd1	R	0x0	Reserved
[11]	R12	R	0x0	384 KHz rate (8/1*48 KHz) NOT supported
[10]	R11	R	0x0	192.0 KHz rate (4/1*48 KHz) NOT supported
[9]	R10	R	0x0	176.4 KHz rate (4/1*44.1 KHz) NOT supported
[8]	R9	R	0x1	96.0 KHz rate (2/1*48 KHz) supported
[7]	R8	R	0x0	88.2 KHz rate (2/1*44.1 KHz) NOT supported
[6]	R7	R	0x1	48.0 KHz rate supported (REQUIRED)
[5]	R6	R	0x1	44.1 KHz rate supported
[4]	R5	R	0x0	32.0 KHz rate (2/3*48 KHz) NOT supported
[3]	R4	R	0x0	22.05 KHz rate (1/2*44.1 KHz) NOT supported
[2]	R3	R	0x0	16.0 KHz rate (1/3*48 KHz) NOT supported
[1]	R2	R	0x0	11.025 KHz rate (1/4*44.0 KHz) NOT supported
[0]	R1	R	0x0	8.0 KHz rate (1/6*48 KHz) NOT supported

#### 5.8.4. SPDIFinCnvtr StreamCap

Table 76. SPDIFinCnvtr StreamCap Command Verb Format

	Verb ID	Payload	Response
<b>Get</b>	F00	0B	See bitfield table

Table 77. SPDIFinCnvtr StreamCap Command Response Format

Bit	Bitfield Name	RW	Reset	Description
[31:3]	Rsvd	R	0x0	Reserved
[2]	NonPCM	R	0x1	Non-PCM data supported.
[1]	Float32	R	0x0	No support for Float32 data.
[0]	PCM	R	0x1	PCM-formatted data supported.

### 5.8.5. SPDIFinCnvtr ConnLen

Table 78. SPDIFinCnvtr ConnLen Command Verb Format

	Verb ID	Payload	Response
Get	F00	0E	See bitfield table

Table 79. SPDIFinCnvtr ConnLen Command Response Format

Bit	Bitfield Name	RW	Reset	Description
[31:8]	Rsvd	R	0x0	Reserved.
[7]	LongForm	R	0x0	Connection list uses short-form (7-bit) NID entries.
[6:0]	N	R	0x01	Number of NID entries in connection list.

### 5.8.6. SPDIFinCnvtr ConnLst

Table 80. SPDIFinCnvtr ConnLst Command Verb Format

	Verb ID	Payload	Response
Get	F02	00	See bitfield table

Table 81. SPDIFinCnvtr ConnLst Command Response Format

Bit	Bitfield Name	RW	Reset	Description
[31:24]	Entry3	R	0x00	Unused list entry.
[23:16]	Entry2	R	0x00	Unused list entry.
[15:8]	Entry1	R	0x00	Unused list entry.
[7:0]	Entry0	R	0x07	DigIn Pin widget

### 5.8.7. SPDIFinCnvtr Stream

Table 82. SPDIFinCnvtr Stream Command Verb Format

	Verb ID	Payload	Response
<b>Get</b>	F06	00	See bitfield table
<b>Set1</b>	706	See bits [7:0] of bitfield table	0000_0000h

Table 83. SPDIFinCnvtr Stream Command Response Format

Bit	Bitfield Name	RW	Reset	Description
[31:8]	Rsvd	R	0x0	Reserved
[7:4]	ID	RW	0x0	Software-programmable integer representing link stream ID used by the converter widget. By convention stream 0 is reserved as unused.
[3:0]	Ch	RW	0x0	Integer representing lowest channel used by converter

### 5.8.8. SPDIFinCnvtr DigCtl

Table 84. SPDIFinCnvtr DigCtl Command Verb Format

	Verb ID	Payload	Response
<b>Get</b>	F0D	00	See bitfield table

Table 84. SPDIFinCnvtr DigCtl Command Verb Format

	Verb ID	Payload	Response
<b>Set1</b>	70D	See bits [7:0] of bitfield table	0000_0000h
<b>Set2</b>	70E	See bits [15:8] of bitfield table	0000_0000h

Table 85. SPDIFinCnvtr DigCtl Command Response Format

Bit	Bitfield Name	RW	Reset	Description
[31:15]	Rsvd2	R	0x0	Reserved
[14:8]	CC	R	0x00	CC[6:0] - Category Code
[7]	L	R	0x0	L - Generation Level
[6]	PRO	R	0x0	PRO - Professional
[5]	AUDIO	R	0x0	/AUDIO - Non-Audio
[4]	COPY	R	0x0	COPY - Copyright
[3]	PRE	R	0x0	PRE - Preemphasis
[2]	Rsvd1	R	0x0	Reserved (VCFG bit applies only to output streams)
[1]	V	R	0x0	V - Validity
[0]	DigEn	RW	0x0	DigEn - Digital Enable

## 5.9. SPDIFoutCnvtr Node (NID = 0x05)

### 5.9.1. SPDIFoutCnvtr Frmt

Table 86. SPDIFoutCnvtr Frmt Command Verb Format

	Verb ID	Payload	Response
<b>Get</b>	A	0000	See bitfield table
<b>Set1</b>	2	See bits [15:0] of bitfield table	0000_0000h

Table 87. SPDIFoutCnvtr Frmt Command Response Format

Bit	Bitfield Name	RW	Reset	Description
[31:16]	Rsvd2	R	0x0	Reserved
[15]	StrmType	RW	0x0	Stream Type 0 = PCM 1 = Non-PCM (remaining bits in this verb have other meanings)
[14]	RateBase	RW	0x0	Sample Base Rate 0 = 48 KHz 1 = 44.1 KHz
[13:11]	RateMult	RW	0x0	Sample Base Rate Multiple: 000 = 48 KHz / 44.1 KHz or less; 001 = x2; 010 = Reserved (x3); 011 = x4; 100-111 = Reserved
[10:8]	RateDiv	RW	0x0	Sample Base Rate Divisor 000 = Divide by 1 001 = Divide by 2 010 = Divide by 3 011 = Divide by 4 100 = Divide by 5 101 = Divide by 6 110 = Divide by 7 111 = Divide by 8
[7]	Rsvd1	R	0x0	Reserved
[6:4]	NumBits	RW	0x3	Bits per Sample 000 = 8 bits 001 = 16 bits 010 = 20 bits 011 = 24 bits 100-111 = Reserved
[3:0]	NumChan	RW	0x1	Number of Channels in each frame of the stream. 0000 = 1 channel 0001 = 2 channels ... 1111 = 16 channels

## 5.9.2. SPDIFoutCnvtr WCap

Table 88. SPDIFoutCnvtr WCap Command Verb Format

	Verb ID	Payload	Response
Get	F00	09	See bitfield table

Table 89. SPDIFoutCnvtr WCap Command Response Format

Bit	Bitfield Name	RW	Reset	Description
[31:24]	Rsvd2	R	0x0	Reserved
[23:20]	Type	R	0x0	Widget type = Audio Output
[19:16]	Delay	R	0x4	Number of sample delays through widget
[15:12]	Rsvd1	R	0x0	Reserved
[11]	SwapCap	R	0x0	No left/right channel swap capability
[10]	PwrCntrl	R	0x0	No support for Power State control
[9]	DigitalStrm	R	0x1	Widget supports a Digital stream
[8]	ConnList	R	0x0	No connection list is present
[7]	UnsolCap	R	0x0	No support for Unsolicited Response
[6]	ProcWidget	R	0x0	No Processing Controls parameter
[5]	Stripe	R	0x0	No support for striping
[4]	FormatOvrd	R	0x1	Widget contains format info; software should query
[3]	AmpParamOvrd	R	0x0	No amplifier info; use default amplifier parameters from Audio Function node instead
[2]	OutAmpPrsnt	R	0x0	No output amp
[1]	InAmpPrsnt	R	0x0	No input amp
[0]	Stereo	R	0x1	Stereo widget



## 5.9.3. SPDIFoutCnvtr FrmtCap

Table 90. SPDIFoutCnvtr FrmtCap Command Verb Format

	Verb ID	Payload	Response
Get	F00	0A	See bitfield table

Table 91. SPDIFoutCnvtr FrmtCap Command Response Format

Bit	Bitfield Name	RW	Reset	Description
[31:21]	Rsvd2	R	0x0	Reserved
[20]	B32	R	0x0	32 bit audio formats are NOT supported
[19]	B24	R	0x1	24 bit audio formats are supported
[18]	B20	R	0x1	20 bit audio formats are supported
[17]	B16	R	0x1	16 bit audio formats are supported
[16]	B8	R	0x0	8 bit audio formats are NOT supported
[15:12]	Rsvd1	R	0x0	Reserved
[11]	R12	R	0x0	384 KHz rate (8/1*48 KHz) NOT supported
[10]	R11	R	0x0	192.0 KHz rate (4/1*48 KHz) NOT supported
[9]	R10	R	0x0	176.4 KHz rate (4/1*44.1 KHz) NOT supported
[8]	R9	R	0x1	96.0 KHz rate (2/1*48 KHz) supported
[7]	R8	R	0x1	88.2 KHz rate (2/1*44.1 KHz) supported
[6]	R7	R	0x1	48.0 KHz rate supported (REQUIRED)
[5]	R6	R	0x1	44.1 KHz rate supported
[4]	R5	R	0x0	32.0 KHz rate (2/3*48 KHz) NOT supported
[3]	R4	R	0x0	22.05 KHz rate (1/2*44.1 KHz) NOT supported
[2]	R3	R	0x0	16.0 KHz rate (1/3*48 KHz) NOT supported
[1]	R2	R	0x0	11.025 KHz rate (1/4*44.0 KHz) NOT supported
[0]	R1	R	0x0	8.0 KHz rate (1/6*48 KHz) NOT supported

#### 5.9.4. SPDIFoutCnvtr StreamCap

Table 92. SPDIFoutCnvtr StreamCap Command Verb Format

	Verb ID	Payload	Response
Get	F00	0B	See bitfield table

Table 93. SPDIFoutCnvtr StreamCap Command Response Format

Bit	Bitfield Name	RW	Reset	Description
[31:3]	Rsvd	R	0x0	Reserved
[2]	NonPCM	R	0x1	Non-PCM data supported.
[1]	Float32	R	0x0	No support for Float32 data.
[0]	PCM	R	0x1	PCM-formatted data supported.

#### 5.9.5. SPDIFoutCnvtr Stream

Table 94. SPDIFoutCnvtr Stream Command Verb Format

	Verb ID	Payload	Response
Get	F06	00	See bitfield table
Set1	706	See bits [7:0] of bitfield table	0000_0000h

Table 95. SPDIFoutCnvtr Stream Command Response Format

Bit	Bitfield Name	RW	Reset	Description
[31:8]	Rsvd	R	0x0	Reserved
[7:4]	ID	RW	0x0	Software-programmable integer representing link stream ID used by the converter widget. By convention stream 0 is reserved as unused.
[3:0]	Ch	RW	0x0	Integer representing lowest channel used by converter

### 5.9.6. SPDIFoutCnvtr DigCtl

Table 96. SPDIFoutCnvtr DigCtl Command Verb Format

	Verb ID	Payload	Response
<b>Get</b>	F0D	00	See bitfield table
<b>Set1</b>	70D	See bits [7:0] of bitfield table	0000_0000h
<b>Set2</b>	70E	See bits [15:8] of bitfield table	0000_0000h

Table 97. SPDIFoutCnvtr DigCtl Command Response Format

Bit	Bitfield Name	RW	Reset	Description
[31:16]	Rsvd2	R	0x0	Reserved
[15]	Rsvd1	R	0x0	Rsvd
[14:8]	CC	RW	0x00	CC[6:0] - Category Code
[7]	L	RW	0x0	L - Generation Level
[6]	PRO	RW	0x0	PRO - Professional
[5]	AUDIO	RW	0x0	/AUDIO - Non-Audio
[4]	COPY	RW	0x0	COPY - Copyright
[3]	PRE	RW	0x0	PRE - Preemphasis
[2]	VCFG	RW	0x0	VCFG - Validity Config
[1]	V	RW	0x0	V - Validity
[0]	DigEn	RW	0x0	DigEn - Digital Enable

## 5.10. DAC0Mux Node (NID = 0x06)

### 5.10.1. DAC0Mux WCap

Table 98. DAC0Mux WCap Command Verb Format

	Verb ID	Payload	Response
<b>Get</b>	F00	09	See bitfield table

Table 99. DAC0Mux WCap Command Response Format

Bit	Bitfield Name	RW	Reset	Description
[31:24]	Rsvd2	R	0x0	Reserved
[23:20]	Type	R	0x3	Widget type = Audio Selector
[19:16]	Delay	R	0x0	Number of sample delays through widget
[15:12]	Rsvd1	R	0x0	Reserved
[11]	SwapCap	R	0x1	Left and right channels can be swapped
[10]	PwrCntrl	R	0x0	No support for Power State control
[9]	DigitalStrm	R	0x0	Widget supports an Analog stream
[8]	ConnList	R	0x1	Connection list is present
[7]	UnsolCap	R	0x0	No support for Unsolicited Response
[6]	ProcWidget	R	0x0	No Processing Controls parameter.
[5]	Stripe	R	0x0	No support for striping
[4]	FormatOvrd	R	0x0	No format info; use default format parameters from Audio Function node instead
[3]	AmpParamOvrd	R	0x0	No amplifier info; use default amplifier parameters from Audio Function node instead
[2]	OutAmpPrsnt	R	0x0	No output amp
[1]	InAmpPrsnt	R	0x0	No input amp
[0]	Stereo	R	0x1	Stereo widget

### 5.10.2. DAC0Mux ConnLen

Table 100. DAC0Mux ConnLen Command Verb Format

	Verb ID	Payload	Response
<b>Get</b>	F00	0E	See bitfield table

Table 101. DAC0Mux ConnLen Command Response Format

Bit	Bitfield Name	RW	Reset	Description
[31:8]	Rsvd	R	0x0	Reserved.
[7]	LongForm	R	0x0	Connection list uses short-form (7-bit) NID entries.
[6:0]	N	R	0x03	Number of NID entries in connection list.

### 5.10.3. DAC0Mux ConnSel

Table 102. DAC0Mux ConnSel Command Verb Format

	Verb ID	Payload	Response
<b>Get</b>	F01	00	See bitfield table
<b>Set1</b>	701	See bits [7:0] of bitfield table	0000_0000h

Table 103. DAC0Mux ConnSel Command Response Format

Bit	Bitfield Name	RW	Reset	Description
[31:2]	Rsvd	R	0x0	Reserved
[1:0]	Index	RW	0x0	Connection select control index.

### 5.10.4. DAC0Mux ConnLst

Table 104. DAC0Mux ConnLst Command Verb Format

	Verb ID	Payload	Response
<b>Get</b>	F02	00	See bitfield table

Table 105. DAC0Mux ConnLst Command Response Format

Bit	Bitfield Name	RW	Reset	Description
[31:24]	Entry3	R	0x00	Unused list entry.
[23:16]	Entry2	R	0x14	ADC0InMux widget.

Table 105. DAC0Mux ConnLst Command Response Format

Bit	Bitfield Name	RW	Reset	Description
[15:8]	Entry1	R	0x07	DigIn Pin widget.
[7:0]	Entry0	R	0x02	DAC Analog converter widget.

### 5.10.5. DAC0Mux LR

Table 106. DAC0Mux LR Command Verb Format

	Verb ID	Payload	Response
<b>Get</b>	F0C	00	See bitfield table
<b>Set1</b>	70C	See bits [7:0] of bitfield table	0000_0000h

Table 107. DAC0Mux LR Command Response Format

Bit	Bitfield Name	RW	Reset	Description
[31:3]	Rsvd2	R	0x0	Reserved
[2]	SwapEn	RW	0x0	1 = swap left and right channels of this Widget.
[1:0]	Rsvd1	R	0x0	Reserved

## 5.11. DigInPin Node (NID = 0x07)

### 5.11.1. DigInPin WCap

Table 108. DigInPin WCap Command Verb Format

	Verb ID	Payload	Response
<b>Get</b>	F00	09	See bitfield table

Table 109. DigInPin WCap Command Response Format

Bit	Bitfield Name	RW	Reset	Description
[31:24]	Rsvd2	R	0x0	Reserved
[23:20]	Type	R	0x4	Widget type = Pin Complex
[19:16]	Delay	R	0x3	Number of sample delays through widget
[15:12]	Rsvd1	R	0x0	Reserved
[11]	SwapCap	R	0x0	No left/right channel swap capability
[10]	PwrCntrl	R	0x1	Power State control is supported
[9]	DigitalStrm	R	0x1	Widget supports a Digital stream
[8]	ConnList	R	0x0	No connection list is present
[7]	UnsolCap	R	0x1	Unsolicited Response is supported
[6]	ProcWidget	R	0x0	No Processing Controls parameter
[5]	Stripe	R	0x0	No support for striping
[4]	FormatOvrd	R	0x0	N/A for pin complex
[3]	AmpParamOvrd	R	0x0	No amplifier info; use default amplifier parameters from Audio Function node instead
[2]	OutAmpPrsnt	R	0x0	No output amp
[1]	InAmpPrsnt	R	0x0	No input amp
[0]	Stereo	R	0x1	Stereo widget

### 5.11.2. DigInPin Cap

Table 110. DigInPin Cap Command Verb Format

	Verb ID	Payload	Response
<b>Get</b>	F00	0C	See bitfield table

Table 111. DigInPin Cap Command Response Format

Bit	Bitfield Name	RW	Reset	Description
[31:17]	Rsvd2	R	0x0	Reserved
[16]	EapdCap	R	0x1	This widget controls EAPD pin
[15:8]	VRefCntrl	R	0x00	VRef generation not supported by this pin complex.
[7]	Rsvd1	R	0x0	Reserved
[6]	BalancedIO	R	0x0	Pin complex does not have balanced pins.
[5]	InCap	R	0x1	Pin complex is input capable.
[4]	OutCap	R	0x0	Pin complex is not output capable. (EAPD does not equal the output stream)
[3]	HPhnDrvCap	R	0x0	Pin does not have a headphone amplifier.
[2]	PresDtctCap	R	0x1	Pin complex can perform Presence Detect.
[1]	TrigRqd	R	0x0	N/A
[0]	ImpSenseCap	R	0x0	Pin complex does not support impedance sense.

### 5.11.3. DigInPin PwrState

Table 112. DigInPin PwrState Command Verb Format

	Verb ID	Payload	Response
<b>Get</b>	F05	00	See bitfield table
<b>Set1</b>	705	See bits [7:0] of bitfield table	0000_0000h

Table 113. DigInPin PwrState Command Response Format

Bit	Bitfield Name	RW	Reset	Description
[31:8]	Rsvd2	R	0x0	Reserved
[7:4]	Act	R	0x3	PS-Act: Actual power state of referenced node.



Table 113. DigInPin PwrState Command Response Format

Bit	Bitfield Name	RW	Reset	Description
[3:2]	Rsvd1	R	0x0	Reserved
[1:0]	Set	RW	0x3	PS-Set: Current power setting of referenced node. 00 - Fully on. 01 - Fully on. 10 - Fully on. 11 - Powered down (default powered down)

#### 5.11.4. DigInPin Ctl

Table 114. DigInPin Ctl Command Verb Format

	Verb ID	Payload	Response
<b>Get</b>	F07	00	See bitfield table
<b>Set1</b>	707	See bits [7:0] of bitfield table	0000_0000h

Table 115. DigInPin Ctl Command Response Format

Bit	Bitfield Name	RW	Reset	Description
[31:6]	Rsvd2	R	0x0	Reserved
[5]	InEn	RW	0x0	1 = (CODEC) input path of Pin Widget is enabled
[4:0]	Rsvd1	R	0x0	Reserved

#### 5.11.5. DigInPin UnsolResp

Table 116. DigInPin UnsolResp Command Verb Format

	Verb ID	Payload	Response
<b>Get</b>	F08	00	See bitfield table
<b>Set1</b>	708	See bits [7:0] of bitfield table	0000_0000h

Table 117. DigInPin UnsolResp Command Response Format

Bit	Bitfield Name	RW	Reset	Description
[31:8]	Rsvd2	R	0x00	Reserved
[7]	En	RW	0x0	Allow generation of Unsolicited Responses. Unsolicited response events occur upon lock or loss-of-lock by SPDIF-in clock recovery circuit.
[6]	Rsvd1	R	0x0	Reserved.
[5:0]	Tag	RW	0x00	Software programmable field returned in top six bits (31:26) of every Unsolicited Response generated by this node.

### 5.11.6. DigInPin Sense

Table 118. DigInPin Sense Command Verb Format

	Verb ID	Payload	Response
<b>Get</b>	F09	00	See bitfield table
<b>Set1</b>	709	See bits [7:0] of bitfield table	0000_0000h
<b>Set2</b>	709	See bits [7:0] of bitfield table	0000_0000h

Table 119. DigInPin Sense Command Response Format

Bit	Bitfield Name	RW	Reset	Description
[31]	Present	R	0x0	1 = something is plugged into jack associated with Pin Complex. For this widget, Presence Detect indicates that the SPDIF-in clock recovery circuit has locked onto a valid SPDIF-in sampling frequency. Any change in status will generate an Unsolicited Response, if enabled with verb 708.
[30:0]	Rsvd	R	0x0	Reserved. Impedance sense not supported for this Pin Complex.

### 5.11.7. DigInPin EAPD

Table 120. DigInPin EAPD Command Verb Format

	Verb ID	Payload	Response
<b>Get</b>	F0C	00	See bitfield table
<b>Set1</b>	70C	See bits [7:0] of bitfield table	0000_0000h

Table 121. DigInPin EAPD Command Response Format

Bit	Bitfield Name	RW	Reset	Description
[31:2]	Rsvd2	R	0x0	Reserved
[1]	Data	RW	0x0	EAPD value reflected on the EAPD pin. 0 = power down external amp; 1 = power up external amp if PwrState < 0x2. If PwrState > = 0x2, Pin47 is Hi-Z. An external pull-down is required if EAPD must be low when Pin Widget is powered down.
[0]	Rsvd1	R	0x0	Reserved

### 5.11.8. DigInPin Config

Table 122. DigInPin Config Command Verb Format

	Verb ID	Payload	Response
<b>Get</b>	F1C	00	See bitfield table
<b>Set1</b>	71C	See bits [7:0] of bitfield table	0000_0000h
<b>Set2</b>	71D	See bits [15:8] of bitfield table	0000_0000h
<b>Set3</b>	71E	See bits [23:16] of bitfield table	0000_0000h
<b>Set4</b>	71F	See bits [31:24] of bitfield table	0000_0000h

Table 123. DigInPin Config Command Response Format

Bit	Bitfield Name	RW	Reset	Description
[31:30]	Port	RW	0x0	External Port Connectivity of the Pin Complex. 0 = Port Complex is connected to a jack
[29:24]	Location	RW	0x01	Physical location of the jack. Optical jack at mainboard rear.
[23:20]	Device	RW	0xC	Default Device, indicating intended use of jack. C = SPDIF In
[19:16]	Connection	RW	0x5	Connection Type. 5 = optical
[15:12]	Color	RW	0xE	Color of physical jack. E = White
[11:8]	Misc	RW	0x1	Misc[0] = Jack Detect override.
[7:4]	Assoc	RW	0x5	Default Association for Pin Complex groups. Reserved value 0000b should not be used. Value 1111b indicates lowest priority.
[3:0]	Sequence	RW	0x0	All Widgets in an association must have unique sequence number.

## 5.12. DigOutPin Node (NID = 0x08)

### 5.12.1. DigOutPin WCap

Table 124. DigOutPin WCap Command Verb Format

	Verb ID	Payload	Response
Get	F00	09	See bitfield table

Table 125. DigOutPin WCap Command Response Format

Bit	Bitfield Name	RW	Reset	Description
[31:24]	Rsvd2	R	0x0	Reserved
[23:20]	Type	R	0x4	Widget type = Pin Complex

Table 125. DigOutPin WCap Command Response Format

Bit	Bitfield Name	RW	Reset	Description
[19:16]	Delay	R	0x0	Number of sample delays through widget
[15:12]	Rsvd1	R	0x0	Reserved
[11]	SwapCap	R	0x0	No left/right channel swap capability
[10]	PwrCntrl	R	0x0	No support for Power State control
[9]	DigitalStrm	R	0x1	Widget supports a Digital stream
[8]	ConnList	R	0x1	Connection list is present
[7]	UnsolCap	R	0x0	No support for Unsolicited Response
[6]	ProcWidget	R	0x0	No Processing Controls parameter
[5]	Stripe	R	0x0	No support for striping
[4]	FormatOvrld	R	0x0	N/A for pin complex
[3]	AmpParamOvrld	R	0x0	No amplifier info; use default amplifier parameters from Audio Function node instead
[2]	OutAmpPrsnt	R	0x0	No output amp
[1]	InAmpPrsnt	R	0x0	No input amp
[0]	Stereo	R	0x1	Stereo widget

### 5.12.2. DigOutPin Cap

Table 126. DigOutPin Cap Command Verb Format

	Verb ID	Payload	Response
Get	F00	0C	See bitfield table

Table 127. DigOutPin Cap Command Response Format

Bit	Bitfield Name	RW	Reset	Description
[31:17]	Rsvd2	R	0x0	Reserved
[16]	EapdCap	R	0x0	This widget does not control EAPD pin

Table 127. DigOutPin Cap Command Response Format

Bit	Bitfield Name	RW	Reset	Description
[15:8]	VRefCntrl	R	0x00	VRef generation N/A since pin complex is not input capable.
[7]	Rsvd1	R	0x0	Reserved
[6]	BalancedIO	R	0x0	Pin complex does not have balanced pins.
[5]	InCap	R	0x0	Pin complex is not input capable.
[4]	OutCap	R	0x1	Pin complex is output capable.
[3]	HPhnDrvCap	R	0x0	Pin does not have a headphone amplifier.
[2]	PresDtctCap	R	0x0	Pin complex cannot perform Presence Detect.
[1]	TrigRqd	R	0x0	N/A
[0]	ImpSenseCap	R	0x0	Pin complex does not support impedance sense.

### 5.12.3. DigOutPin ConnLen

Table 128. DigOutPin ConnLen Command Verb Format

	Verb ID	Payload	Response
<b>Get</b>	F00	0E	See bitfield table

Table 129. DigOutPin ConnLen Command Response Format

Bit	Bitfield Name	RW	Reset	Description
[31:8]	Rsvd	R	0x0	Reserved.
[7]	LongForm	R	0x0	Connection list uses short-form (7-bit) NID entries.
[6:0]	N	R	0x02	Number of NID entries in connection list.

#### 5.12.4. DigOutPin ConnSel

Table 130. DigOutPin ConnSel Command Verb Format

	Verb ID	Payload	Response
<b>Get</b>	F01	00	See bitfield table
<b>Set1</b>	701	See bits [7:0] of bitfield table	0000_0000h

Table 131. DigOutPin ConnSel Command Response Format

Bit	Bitfield Name	RW	Reset	Description
[31:2]	Rsvd	R	0x0	Reserved
[1:0]	Index	RW	0x0	Connection select control index.

#### 5.12.5. DigOutPin ConnLst

Table 132. DigOutPin ConnLst Command Verb Format

	Verb ID	Payload	Response
<b>Get</b>	F02	00	See bitfield table

Table 133. DigOutPin ConnLst Command Response Format

Bit	Bitfield Name	RW	Reset	Description
[31:24]	Entry3	R	0x00	Unused list entry.
[23:16]	Entry2	R	0x00	Unused list entry.
[15:8]	Entry1	R	0x14	ADC0InMux widget.
[7:0]	Entry0	R	0x05	SPDIF Out converter widget.

### 5.12.6. DigOutPin Ctl

Table 134. DigOutPin Ctl Command Verb Format

	Verb ID	Payload	Response
<b>Get</b>	F07	00	See bitfield table
<b>Set1</b>	707	See bits [7:0] of bitfield table	0000_0000h

Table 135. DigOutPin Ctl Command Response Format

Bit	Bitfield Name	RW	Reset	Description
[31:7]	Rsvd2	R	0x0	Reserved
[6]	OutEn	RW	0x0	1 = (CODEC) output path of Pin Widget is enabled
[5:0]	Rsvd1	R	0x0	Reserved

### 5.12.7. DigOutPin Config

Table 136. DigOutPin Config Command Verb Format

	Verb ID	Payload	Response
<b>Get</b>	F1C	00	See bitfield table
<b>Set1</b>	71C	See bits [7:0] of bitfield table	0000_0000h
<b>Set2</b>	71D	See bits [15:8] of bitfield table	0000_0000h
<b>Set3</b>	71E	See bits [23:16] of bitfield table	0000_0000h
<b>Set4</b>	71F	See bits [31:24] of bitfield table	0000_0000h

Table 137. DigOutPin Config Command Response Format

Bit	Bitfield Name	RW	Reset	Description
[31:30]	Port	RW	0x0	External Port Connectivity of the Pin Complex. 0 = Port Complex is connected to a jack
[29:24]	Location	RW	0x01	Physical location of the jack. Optical jack at mainboard rear.



Table 137. DigOutPin Config Command Response Format

Bit	Bitfield Name	RW	Reset	Description
[23:20]	Device	RW	0x4	Default Device, indicating intended use of jack. 4 = SPDIF Out
[19:16]	Connection	RW	0x5	Connection Type. 5 = optical
[15:12]	Color	RW	0x1	Color of physical jack. 1 = Black
[11:8]	Misc	RW	0x1	Misc[0] = Jack Detect override.
[7:4]	Assoc	RW	0x3	Default Association for Pin Complex groups. Reserved value 0000b should not be used. Value 1111b indicates lowest priority.
[3:0]	Sequence	RW	0x0	All Widgets in an association must have unique sequence number.

## 5.13. ADC0VolMux Node (NID = 0x09)

### 5.13.1. ADC0VolMux VolRight

Table 138. ADC0VolMux VolRight Command Verb Format

	Verb ID	Payload	Response
<b>Get</b>	B80	00	See bitfield table
<b>Set1</b>	390	See bits [7:0] of bitfield table	0000_0000h

Table 139. ADC0VolMux VolRight Command Response Format

Bit	Bitfield Name	RW	Reset	Description
[31:4]	Rsvd1	R	0x0	Reserved
[3:0]	Gain	RW	0x0	Amplifier gain step number

### 5.13.2. ADC0VolMux VolLeft

Table 140. ADC0VolMux VolLeft Command Verb Format

	Verb ID	Payload	Response
<b>Get</b>	BA0	00	See bitfield table
<b>Set1</b>	3A0	See bits [7:0] of bitfield table	0000_0000h

Table 141. ADC0VolMux VolLeft Command Response Format

Bit	Bitfield Name	RW	Reset	Description
[31:4]	Rsvd1	R	0x0	Reserved
[3:0]	Gain	RW	0x0	Amplifier gain step number

### 5.13.3. ADC0VolMux WCap

Table 142. ADC0VolMux WCap Command Verb Format

	Verb ID	Payload	Response
<b>Get</b>	F00	09	See bitfield table

Table 143. ADC0VolMux WCap Command Response Format

Bit	Bitfield Name	RW	Reset	Description
[31:24]	Rsvd2	R	0x0	Reserved
[23:20]	Type	R	0x3	Widget type = Audio Selector
[19:16]	Delay	R	0x0	Number of sample delays through widget
[15:12]	Rsvd1	R	0x0	Reserved
[11]	SwapCap	R	0x0	No left/right swap capability
[10]	PwrCntrl	R	0x0	No support for Power State control
[9]	DigitalStrm	R	0x0	Widget supports an Analog stream
[8]	ConnList	R	0x1	Connection list is present

Table 143. ADC0VolMux WCap Command Response Format

Bit	Bitfield Name	RW	Reset	Description
[7]	UnsolCap	R	0x0	No support for Unsolicited Response
[6]	ProcWidget	R	0x0	No Processing Controls parameter.
[5]	Stripe	R	0x0	No support for striping
[4]	FormatOvrd	R	0x0	No format info; use default format parameters from Audio Function node instead
[3]	AmpParamOvrd	R	0x1	This widget contains its own amplifier parameters.
[2]	OutAmpPrsnt	R	0x1	Output amp is present
[1]	InAmpPrsnt	R	0x0	No input amp
[0]	Stereo	R	0x1	Stereo widget

#### 5.13.4. ADC0VolMux OutAmpCap

Table 144. ADC0VolMux OutAmpCap Command Verb Format

	Verb ID	Payload	Response
<b>Get</b>	F00	12	See bitfield table

Table 145. ADC0VolMux OutAmpCap Command Response Format

Bit	Bitfield Name	RW	Reset	Description
[31]	Mute	R	0x0	Amplifier is not capable of muting
[30:23]	Rsvd3	R	0x0	Reserved
[22:16]	StepSize	R	0x05	Size of each step in the gain range = 1.5dB
[15]	Rsvd2	R	0x0	Reserved
[14:8]	NumSteps	R	0x0F	Number of steps in the gain range = 15 (16 values, 0dB to +22.5dB)
[7]	Rsvd1	R	0x0	Reserved
[6:0]	Offset	R	0x00	0dB-step is programmed with this offset

### 5.13.5. ADC0VoIMux ConnLen

Table 146. ADC0VoIMux ConnLen Command Verb Format

	Verb ID	Payload	Response
Get	F00	0E	See bitfield table

Table 147. ADC0VoIMux ConnLen Command Response Format

Bit	Bitfield Name	RW	Reset	Description
[31:8]	Rsvd	R	0x0	Reserved
[7]	LongForm	R	0x0	Connection list uses short-form (7-bit) NID entries.
[6:0]	N	R	0x01	Number of NID entries in connection list.

### 5.13.6. ADC0VoIMux ConnLst

Table 148. ADC0VoIMux ConnLst Command Verb Format

	Verb ID	Payload	Response
Get	F02	00	See bitfield table

Table 149. ADC0VoIMux ConnLst Command Response Format

Bit	Bitfield Name	RW	Reset	Description
[31:24]	Entry3	R	0x00	Unused list entry.
[23:16]	Entry2	R	0x00	Unused list entry.
[15:8]	Entry1	R	0x00	Unused list entry.
[7:0]	Entry0	R	0x0F	Input Port (UnivJack) Mux widget.

## 5.14. MasterVol Node (NID = 0x0E)

### 5.14.1. MasterVol Right

Table 150. MasterVol Right Command Verb Format

	Verb ID	Payload	Response
<b>Get</b>	B80	00	See bitfield table
<b>Set1</b>	390	See bits [7:0] of bitfield table	0000_0000h

Table 151. MasterVol Right Command Response Format

Bit	Bitfield Name	RW	Reset	Description
[31:8]	Rsvd2	R	0x0	Reserved
[7]	Mute	RW	0x1	1 = mute is active
[6:5]	Rsvd1	R	0x0	Reserved
[4:0]	Gain	RW	0x1F	Amplifier gain step number

### 5.14.2. MasterVol Left

Table 152. MasterVol Left Command Verb Format

	Verb ID	Payload	Response
<b>Get</b>	BA0	00	See bitfield table
<b>Set1</b>	3A0	See bits [7:0] of bitfield table	0000_0000h

Table 153. MasterVol Left Command Response Format

Bit	Bitfield Name	RW	Reset	Description
[31:8]	Rsvd2	R	0x0	Reserved
[7]	Mute	RW	0x1	1 = mute is active
[6:5]	Rsvd1	R	0x0	Reserved
[4:0]	Gain	RW	0x1F	Amplifier gain step number

### 5.14.3. MasterVol WCap

Table 154. MasterVol WCap Command Verb Format

	Verb ID	Payload	Response
Get	F00	09	See bitfield table

Table 155. MasterVol WCap Command Response Format

Bit	Bitfield Name	RW	Reset	Description
[31:24]	Rsvd2	R	0x0	Reserved
[23:20]	Type	R	0x3	Widget type = Audio Selector
[19:16]	Delay	R	0x0	Number of sample delays through widget
[15:12]	Rsvd1	R	0x0	Reserved
[11]	SwapCap	R	0x0	No left/right channel swap capability
[10]	PwrCntrl	R	0x0	No support for Power State control
[9]	DigitalStrm	R	0x0	Widget supports an Analog stream
[8]	ConnList	R	0x1	Connection list is present
[7]	UnsolCap	R	0x0	No support for Unsolicited Response
[6]	ProcWidget	R	0x0	No Processing Controls parameter.
[5]	Stripe	R	0x0	No support for striping
[4]	FormatOvrd	R	0x0	No format info; use default format parameters from Audio Function node instead
[3]	AmpParamOvrd	R	0x0	No amplifier info; use default amplifier parameters from Audio Function node instead
[2]	OutAmpPrsnt	R	0x1	Output amp is present
[1]	InAmpPrsnt	R	0x0	No input amp
[0]	Stereo	R	0x1	Stereo widget

#### 5.14.4. MasterVol ConnLen

Table 156. MasterVol ConnLen Command Verb Format

	Verb ID	Payload	Response
Get	F00	0E	See bitfield table

Table 157. MasterVol ConnLen Command Response Format

Bit	Bitfield Name	RW	Reset	Description
[31:8]	Rsvd	R	0x0	Reserved
[7]	LongForm	R	0x0	Connection list uses short-form (7-bit) NID entries.
[6:0]	N	R	0x01	Number of NID entries in connection list.

#### 5.14.5. MasterVol ConnLst

Table 158. MasterVol ConnLst Command Verb Format

	Verb ID	Payload	Response
Get	F02	00	See bitfield table

Table 159. MasterVol ConnLst Command Response Format

Bit	Bitfield Name	RW	Reset	Description
[31:24]	Entry3	R	0x00	Unused list entry.
[23:16]	Entry2	R	0x00	Unused list entry.
[15:8]	Entry1	R	0x00	Unused list entry.
[7:0]	Entry0	R	0x06	DAC Mux widget.

## 5.15. InPortMux Node (NID = 0x0F)

### 5.15.1. InPortMux VolRight

Table 160. InPortMux VolRight Command Verb Format

	Verb ID	Payload	Response
<b>Get</b>	B80	00	See bitfield table
<b>Set1</b>	390	See bits [7:0] of bitfield table	0000_0000h

Table 161. InPortMux VolRight Command Response Format

Bit	Bitfield Name	RW	Reset	Description
[31:3]	Rsvd	R	0x0	Reserved
[2:0]	Gain	RW	0x0	Amplifier gain step number

### 5.15.2. InPortMux VolLeft

Table 162. InPortMux VolLeft Command Verb Format

	Verb ID	Payload	Response
<b>Get</b>	BA0	00	See bitfield table
<b>Set1</b>	3A0	See bits [7:0] of bitfield table	0000_0000h

Table 163. InPortMux VolLeft Command Response Format

Bit	Bitfield Name	RW	Reset	Description
[31:3]	Rsvd	R	0x0	Reserved
[2:0]	Gain	RW	0x0	Amplifier gain step number

### 5.15.3. InPortMux WCap

Table 164. InPortMux WCap Command Verb Format

	Verb ID	Payload	Response
<b>Get</b>	F00	09	See bitfield table



Table 165. InPortMux WCap Command Response Format

Bit	Bitfield Name	RW	Reset	Description
[31:24]	Rsvd2	R	0x0	Reserved
[23:20]	Type	R	0x3	Widget type = Audio Selector
[19:16]	Delay	R	0x0	Number of sample delays through widget
[15:12]	Rsvd1	R	0x0	Reserved
[11]	SwapCap	R	0x0	No left/right channel swap capability
[10]	PwrCntrl	R	0x0	No support for Power State control
[9]	DigitalStrm	R	0x0	Widget supports an Analog stream
[8]	ConnList	R	0x1	Connection list is present
[7]	UnsolCap	R	0x0	No support for Unsolicited Response
[6]	ProcWidget	R	0x0	No Processing Controls parameter.
[5]	Stripe	R	0x0	No support for striping
[4]	FormatOvrd	R	0x0	No format info; use default format parameters from Audio Function node instead
[3]	AmpParamOvrd	R	0x1	This widget contains its own amplifier parameters.
[2]	OutAmpPrsnt	R	0x1	Output amp is present
[1]	InAmpPrsnt	R	0x0	No input amp
[0]	Stereo	R	0x1	Stereo widget

#### 5.15.4. InPortMux ConnLen

Table 166. InPortMux ConnLen Command Verb Format

	Verb ID	Payload	Response
<b>Get</b>	F00	0E	See bitfield table

Table 167. InPortMux ConnLen Command Response Format

Bit	Bitfield Name	RW	Reset	Description
[31:8]	Rsvd	R	0x0	Reserved
[7]	LongForm	R	0x0	Connection list uses short-form (7-bit) NID entries.
[6:0]	N	R	0x05	Number of NID entries in connection list.

### 5.15.5. InPortMux AmpCap

Table 168. InPortMux AmpCap Command Verb Format

	Verb ID	Payload	Response
Get	F00	12	See bitfield table

Table 169. InPortMux AmpCap Command Response Format

Bit	Bitfield Name	RW	Reset	Description
[31]	Mute	R	0x0	No mute capability
[30:23]	Rsvd3	R	0x0	Reserved
[22:16]	StepSize	R	0x27	Size of each step in the gain range = 10dB
[15]	Rsvd2	R	0x0	Reserved
[14:8]	NumSteps	R	0x04	Number of steps in the gain range = 4 (5 values, 0dB to +40dB)
[7]	Rsvd1	R	0x0	Reserved
[6:0]	Offset	R	0x00	0dB-step is programmed with this offset

### 5.15.6. InPortMux ConnSel

Table 170. InPortMux ConnSel Command Verb Format

	Verb ID	Payload	Response
<b>Get</b>	F01	00	See bitfield table
<b>Set1</b>	701	See bits [7:0] of bitfield table	0000_0000h

Table 171. InPortMux ConnSel Command Response Format

Bit	Bitfield Name	RW	Reset	Description
[31:3]	Rsvd	R	0x0	Reserved
[2:0]	Index	RW	0x0	Connection select control index.

### 5.15.7. InPortMux ConnLst0

Table 172. InPortMux ConnLst0 Command Verb Format

	Verb ID	Payload	Response
<b>Get</b>	F02	00	See bitfield table

Table 173. InPortMux ConnLst0 Command Response Format

Bit	Bitfield Name	RW	Reset	Description
[31:24]	Entry3	R	0x0A	Port A pin widget.
[23:16]	Entry2	R	0x0D	Port D pin widget.
[15:8]	Entry1	R	0x0C	Port C pin widget.
[7:0]	Entry0	R	0x0B	Port B pin widget.

### 5.15.8. InPortMux ConnLst4

Table 174. InPortMux ConnLst4 Command Verb Format

	Verb ID	Payload	Response
<b>Get</b>	F02	04	See bitfield table

Table 175. InPortMux ConnLst4 Command Response Format

Bit	Bitfield Name	RW	Reset	Description
[31:24]	Entry3	R	0x00	Unused list entry.
[23:16]	Entry2	R	0x00	Unused list entry.
[15:8]	Entry1	R	0x00	Unused list entry.
[7:0]	Entry0	R	0x11	CDin pin widget.

## 5.16. PortAPin Node (NID = 0x0A)

### 5.16.1. PortAPin WCap

Table 176. PortAPin WCap Command Verb Format

	Verb ID	Payload	Response
Get	F00	09	See bitfield table

Table 177. PortAPin WCap Command Response Format

Bit	Bitfield Name	RW	Reset	Description
[31:24]	Rsvd2	R	0x0	Reserved
[23:20]	Type	R	0x4	Widget type = Pin Complex
[19:16]	Delay	R	0x0	Number of sample delays through widget
[15:12]	Rsvd1	R	0x0	Reserved
[11]	SwapCap	R	0x0	No left/right channel swap capability
[10]	PwrCntrl	R	0x0	No support for Power State control
[9]	DigitalStrm	R	0x0	Widget supports an Analog stream
[8]	ConnList	R	0x1	Connection list is present
[7]	UnsolCap	R	0x1	Unsolicited Response is supported
[6]	ProcWidget	R	0x0	No Processing Controls parameter

Table 177. PortAPin WCap Command Response Format

Bit	Bitfield Name	RW	Reset	Description
[5]	Stripe	R	0x0	No support for striping
[4]	FormatOvrd	R	0x0	N/A for pin complex
[3]	AmpParamOvrd	R	0x0	No amplifier info; use default amplifier parameters from Audio Function node instead.
[2]	OutAmpPrsnt	R	0x0	No output amp
[1]	InAmpPrsnt	R	0x0	No input amp
[0]	Stereo	R	0x1	Stereo widget

### 5.16.2. PortAPin Cap

Table 178. PortAPin Cap Command Verb Format

	Verb ID	Payload	Response
<b>Get</b>	F00	0C	See bitfield table

Table 179. PortAPin Cap Command Response Format

Bit	Bitfield Name	RW	Reset	Description
[31:17]	Rsvd2	R	0x0	Reserved
[16]	EapdCap	R	0x0	This widget does not control EAPD pin
[15:8]	VRefCntrl	R	0x00	VRef generation not supported by this pin complex.
[7]	Rsvd1	R	0x0	Reserved
[6]	BalancedIO	R	0x0	Pin complex does not have balanced pins.
[5]	InCap	R	0x1	Pin complex is input capable.
[4]	OutCap	R	0x1	Pin complex is output capable.
[3]	HPhnDrvCap	R	0x1	Pin complex has headphone amplifier.
[2]	PresDtctCap	R	0x1	Pin complex can perform Presence Detect.

Table 179. PortAPin Cap Command Response Format

Bit	Bitfield Name	RW	Reset	Description
[1]	TrigRqd	R	0x1	Trigger is required for impedance measurement
[0]	ImpSenseCap	R	0x1	Pin complex supports impedance sense.

### 5.16.3. PortAPin ConnLen

Table 180. PortAPin ConnLen Command Verb Format

	Verb ID	Payload	Response
Get	F00	0E	See bitfield table

Table 181. PortAPin ConnLen Command Response Format

Bit	Bitfield Name	RW	Reset	Description
[31:8]	Rsvd	R	0x0	Reserved.
[7]	LongForm	R	0x0	Connection list uses short-form (7-bit) NID entries.
[6:0]	N	R	0x01	Number of NID entries in connection list.

### 5.16.4. PortAPin ConnLst

Table 182. PortAPin ConnLst Command Verb Format

	Verb ID	Payload	Response
Get	F02	00	See bitfield table

Table 183. PortAPin ConnLst Command Response Format

Bit	Bitfield Name	RW	Reset	Description
[31:24]	Entry3	R	0x00	Unused list entry.
[23:16]	Entry2	R	0x00	Unused list entry.
[15:8]	Entry1	R	0x00	Unused list entry.
[7:0]	Entry0	R	0x0E	Master Volume widget.

### 5.16.5. PortAPin Ctl

Table 184. PortAPin Ctl Command Verb Format

	Verb ID	Payload	Response
<b>Get</b>	F07	00	See bitfield table
<b>Set1</b>	707	See bits [7:0] of bitfield table	0000_0000h

Table 185. PortAPin Ctl Command Response Format

Bit	Bitfield Name	RW	Reset	Description
[31:8]	Rsvd2	R	0x0	Reserved
[7]	HPhnEn	RW	0x0	1 = enable the low impedance amplifier associated with the output
[6]	OutEn	RW	0x0	1 = (CODEC) output path of Pin Widget is enabled
[5]	InEn	RW	0x0	1 = (CODEC) input path of Pin Widget is enabled
[4:0]	Rsvd1	R	0x0	Reserved

### 5.16.6. PortAPin UnsolicitedResp

Table 186. PortAPin UnsolicitedResp Command Verb Format

	Verb ID	Payload	Response
<b>Get</b>	F08	00	See bitfield table
<b>Set1</b>	708	See bits [7:0] of bitfield table	0000_0000h

Table 187. PortAPin UnsolicitedResp Command Response Format

Bit	Bitfield Name	RW	Reset	Description
[31:8]	Rsvd2	R	0x00	Reserved
[7]	En	RW	0x0	Allow generation of Unsolicited Responses. Unsolicited response events occur upon jack-insertion OR completion of a Jack-Sense cycle.

Table 187. PortAPin Unsolicited Command Response Format

Bit	Bitfield Name	RW	Reset	Description
[6]	Rsvd1	R	0x0	Reserved
[5:0]	Tag	RW	0x00	Software programmable field returned in top six bits (31:26) of every Unsolicited Response generated by this node.

### 5.16.7. PortAPin Sense

Table 188. PortAPin Sense Command Verb Format

	Verb ID	Payload	Response
<b>Get</b>	F09	00	See bitfield table
<b>Set1</b>	709	See bits [7:0] of bitfield table	0000_0000h
<b>Set2</b>	709	See bits [7:0] of bitfield table	0000_0000h

Table 189. PortAPin Sense Command Response Format

Bit	Bitfield Name	RW	Reset	Description
[31]	Present	R	0x0	1 = something is plugged into jack associated with Pin Complex.
[30:0]	Impedance	R	0x7FFF_FFFF	Measured impedance of the widget. A value of all 1 indicates that a valid sense reading is not available, or the sense measurement is busy if it has been recently triggered. Overlaps RightCh.
[0]	RightCh	W	0x0	Set 1 = perform impedance sensing on right channel or ring of the connector
[0]	LeftCh	W	0x0	Set 0 = perform impedance sensing on left channel or tip of the connector



### 5.16.8. PortAPin Config

Table 190. PortAPin Config Command Verb Format

	Verb ID	Payload	Response
<b>Get</b>	F1C	00	See bitfield table
<b>Set1</b>	71C	See bits [7:0] of bitfield table	0000_0000h
<b>Set2</b>	71D	See bits [15:8] of bitfield table	0000_0000h
<b>Set3</b>	71E	See bits [23:16] of bitfield table	0000_0000h
<b>Set4</b>	71F	See bits [31:24] of bitfield table	0000_0000h

Table 191. PortAPin Config Command Response Format

Bit	Bitfield Name	RW	Reset	Description
[31:30]	Port	RW	0x0	External Port Connectivity of the Pin Complex. 0 = Port Complex is connected to a jack
[29:24]	Location	RW	0x02	Physical location of the jack. 02h = Mainboard, Front
[23:20]	Device	RW	0x2	Default Device, indicating intended use of jack. 2 = HP Out
[19:16]	Connection	RW	0x1	Connection Type. 1 = 1/8 inch jack
[15:12]	Color	RW	0x4	Color of physical jack. 4 = Green
[11:8]	Misc	RW	0x0	Misc[0] = Jack Detect override.
[7:4]	Assoc	RW	0x1	Default Association for Pin Complex groups. Reserved value 0000b should not be used. Value 1111b indicates lowest priority.
[3:0]	Sequence	RW	0xF	All Widgets in an association must have unique sequence number.

### 5.17. PortDPin Node (NID = 0x0D)

## 5.17.1. PortDPin WCap

Table 192. PortDPin WCap Command Verb Format

	Verb ID	Payload	Response
Get	F00	09	See bitfield table

Table 193. PortDPin WCap Command Response Format

Bit	Bitfield Name	RW	Reset	Description
[31:24]	Rsvd2	R	0x0	Reserved
[23:20]	Type	R	0x4	Widget type = Pin Complex
[19:16]	Delay	R	0x0	Number of sample delays through widget
[15:12]	Rsvd1	R	0x0	Reserved
[11]	SwapCap	R	0x0	No left/right channel swap capability
[10]	PwrCntrl	R	0x0	No support for Power State control
[9]	DigitalStrm	R	0x0	Widget supports an Analog stream
[8]	ConnList	R	0x1	Connection list is present
[7]	UnsolCap	R	0x1	Unsolicited Response is supported
[6]	ProcWidget	R	0x0	No Processing Controls parameter
[5]	Stripe	R	0x0	No support for striping
[4]	FormatOvrd	R	0x0	N/A for pin complex
[3]	AmpParamOvrd	R	0x0	No amplifier info; use default amplifier parameters from Audio Function node instead.
[2]	OutAmpPrsnt	R	0x0	No output amp
[1]	InAmpPrsnt	R	0x0	No input amp
[0]	Stereo	R	0x1	Stereo widget

### 5.17.2. PortDPin Cap

Table 194. PortDPin Cap Command Verb Format

	Verb ID	Payload	Response
Get	F00	0C	See bitfield table

Table 195. PortDPin Cap Command Response Format

Bit	Bitfield Name	RW	Reset	Description
[31:17]	Rsvd2	R	0x0	Reserved
[16]	EapdCap	R	0x0	This widget does not control EAPD pin
[15:8]	VRefCntrl	R	0x00	VRef generation not supported by this pin complex.
[7]	Rsvd1	R	0x0	Reserved
[6]	BalancedIO	R	0x0	Pin complex does not have balanced pins.
[5]	InCap	R	0x1	Pin complex is input capable.
[4]	OutCap	R	0x1	Pin complex is output capable.
[3]	HPhnDrvCap	R	0x1	Pin complex has headphone amplifier.
[2]	PresDtctCap	R	0x1	Pin complex can perform Presence Detect.
[1]	TrigRqd	R	0x1	Trigger is required for impedance measurement
[0]	ImpSenseCap	R	0x1	Pin complex supports impedance sense.

### 5.17.3. PortDPin ConnLen

Table 196. PortDPin ConnLen Command Verb Format

	Verb ID	Payload	Response
Get	F00	0E	See bitfield table

Table 197. PortDPin ConnLen Command Response Format

Bit	Bitfield Name	RW	Reset	Description
[31:8]	Rsvd	R	0x0	Reserved.
[7]	LongForm	R	0x0	Connection list uses short-form (7-bit) NID entries.
[6:0]	N	R	0x01	Number of NID entries in connection list.

#### 5.17.4. PortDPin ConnLst

Table 198. PortDPin ConnLst Command Verb Format

	Verb ID	Payload	Response
Get	F02	00	See bitfield table

Table 199. PortDPin ConnLst Command Response Format

Bit	Bitfield Name	RW	Reset	Description
[31:24]	Entry3	R	0x00	Unused list entry.
[23:16]	Entry2	R	0x00	Unused list entry.
[15:8]	Entry1	R	0x00	Unused list entry.
[7:0]	Entry0	R	0x0E	Master Volume widget.

#### 5.17.5. PortDPin Ctl

Table 200. PortDPin Ctl Command Verb Format

	Verb ID	Payload	Response
Get	F07	00	See bitfield table
Set1	707	See bits [7:0] of bitfield table	0000_0000h

Table 201. PortDPin Ctl Command Response Format

Bit	Bitfield Name	RW	Reset	Description
[31:8]	Rsvd2	R	0x0	Reserved
[7]	HPhnEn	RW	0x0	1 = enable the low impedance amplifier associated with the output
[6]	OutEn	RW	0x0	1 = (CODEC) output path of Pin Widget is enabled
[5]	InEn	RW	0x0	1 = (CODEC) input path of Pin Widget is enabled
[4:0]	Rsvd1	R	0x0	Reserved

### 5.17.6. PortDPin Unsolicited Response

Table 202. PortDPin Unsolicited Response Command Verb Format

	Verb ID	Payload	Response
<b>Get</b>	F08	00	See bitfield table
<b>Set1</b>	708	See bits [7:0] of bitfield table	0000_0000h

Table 203. PortDPin Unsolicited Response Command Response Format

Bit	Bitfield Name	RW	Reset	Description
[31:8]	Rsvd2	R	0x00	Reserved
[7]	En	RW	0x0	Allow generation of Unsolicited Responses. Unsolicited response events occur upon jack-insertion OR completion of a Jack-Sense cycle.
[6]	Rsvd1	R	0x0	Reserved
[5:0]	Tag	RW	0x00	Software programmable field returned in top six bits (31:26) of every Unsolicited Response generated by this node.

### 5.17.7. PortDPin Sense

Table 204. PortDPin Sense Command Verb Format

	Verb ID	Payload	Response
<b>Get</b>	F09	00	See bitfield table
<b>Set1</b>	709	See bits [7:0] of bitfield table	0000_0000h
<b>Set2</b>	709	See bits [7:0] of bitfield table	0000_0000h

Table 205. PortDPin Sense Command Response Format

Bit	Bitfield Name	RW	Reset	Description
[31]	Present	R	0x0	1 = something is plugged into jack associated with Pin Complex.
[30:0]	Impedance	R	0x7FFF_FFFF	Measured impedance of the widget. A value of all 1's indicates that a valid sense reading is not available, or the sense measurement is busy if it has been recently triggered. Overlaps RightCh.
[0]	RightCh	W	0x0	Set 1 = perform impedance sensing on right channel or ring of the connector
[0]	LeftCh	W	0x0	Set 0 = perform impedance sensing on left channel or tip of the connector

### 5.17.8. PortDPin Config

Table 206. PortDPin Config Command Verb Format

	Verb ID	Payload	Response
<b>Get</b>	F1C	00	See bitfield table
<b>Set1</b>	71C	See bits [7:0] of bitfield table	0000_0000h
<b>Set2</b>	71D	See bits [15:8] of bitfield table	0000_0000h
<b>Set3</b>	71E	See bits [23:16] of bitfield table	0000_0000h
<b>Set4</b>	71F	See bits [31:24] of bitfield table	0000_0000h

Table 207. PortDPin Config Command Response Format

Bit	Bitfield Name	RW	Reset	Description
[31:30]	Port	RW	0x0	External Port Connectivity of the Pin Complex. 0 = Port Complex is connected to a jack
[29:24]	Location	RW	0x01	Physical location of the jack. 01h = Mainboard, Rear
[23:20]	Device	RW	0x0	Default Device, indicating intended use of jack. 0 = Line Out
[19:16]	Connection	RW	0x1	Connection Type. 1 = 1/8 inch jack
[15:12]	Color	RW	0x4	Color of physical jack. 4 = Green
[11:8]	Misc	RW	0x0	Misc[0] = Jack Detect override.
[7:4]	Assoc	RW	0x1	Default Association for Pin Complex groups. Reserved value 0000b should not be used. Value 1111b indicates lowest priority.
[3:0]	Sequence	RW	0x0	All Widgets in an association must have unique sequence number.

## 5.18. PortCPin Node (NID = 0x0C)

### 5.18.1. PortCPin WCap

Table 208. PortCPin WCap Command Verb Format

	Verb ID	Payload	Response
Get	F00	09	See bitfield table

Table 209. PortCPin WCap Command Response Format

Bit	Bitfield Name	RW	Reset	Description
[31:24]	Rsvd2	R	0x0	Reserved
[23:20]	Type	R	0x4	Widget type = Pin Complex

Table 209. PortCPin WCap Command Response Format

Bit	Bitfield Name	RW	Reset	Description
[19:16]	Delay	R	0x0	Number of sample delays through widget
[15:12]	Rsvd1	R	0x0	Reserved
[11]	SwapCap	R	0x0	No left/right channel swap capability
[10]	PwrCntrl	R	0x0	No support for Power State control
[9]	DigitalStrm	R	0x0	Widget supports an Analog stream
[8]	ConnList	R	0x1	Connection list is present
[7]	UnsolCap	R	0x1	Unsolicited Response is supported
[6]	ProcWidget	R	0x0	No Processing Controls parameter
[5]	Stripe	R	0x0	No support for striping
[4]	FormatOvrd	R	0x0	N/A for pin complex
[3]	AmpParamOvrd	R	0x0	No amplifier info; use default amplifier parameters from Audio Function node instead.
[2]	OutAmpPrsnt	R	0x0	No output amp
[1]	InAmpPrsnt	R	0x0	No input amp
[0]	Stereo	R	0x1	Stereo widget

### 5.18.2. PortCPin Cap

Table 210. PortCPin Cap Command Verb Format

	Verb ID	Payload	Response
Get	F00	0C	See bitfield table

Table 211. PortCPin Cap Command Response Format

Bit	Bitfield Name	RW	Reset	Description
[31:17]	Rsvd2	R	0x0	Reserved
[16]	EapdCap	R	0x0	This widget does not control EAPD pin



Table 211. PortCPin Cap Command Response Format

Bit	Bitfield Name	RW	Reset	Description
[15:8]	VRefCntrl	R	0x17	VRef generation is supported by this pin complex, and the following voltages can be produced on the associated VRef pin: 80% Avdd; 50% Avdd; GND; Hi-Z (required since pin complex is output capable)
[7]	Rsvd1	R	0x0	Reserved
[6]	BalancedIO	R	0x0	Pin complex does not have balanced pins.
[5]	InCap	R	0x1	Pin complex is input capable.
[4]	OutCap	R	0x1	Pin complex is output capable.
[3]	HPhnDrvCap	R	0x0	Pin does not have a headphone amplifier.
[2]	PresDtctCap	R	0x1	Pin complex can perform Presence Detect.
[1]	TrigRqd	R	0x1	Trigger is required for impedance measurement
[0]	ImpSenseCap	R	0x1	Pin complex supports impedance sense.

### 5.18.3. PortCPin ConnLen

Table 212. PortCPin ConnLen Command Verb Format

	Verb ID	Payload	Response
<b>Get</b>	F00	0E	See bitfield table

Table 213. PortCPin ConnLen Command Response Format

Bit	Bitfield Name	RW	Reset	Description
[31:8]	Rsvd	R	0x0	Reserved
[7]	LongForm	R	0x0	Connection list uses short-form (7-bit) NID entries.
[6:0]	N	R	0x01	Number of NID entries in connection list.

#### 5.18.4. PortCPin ConnLst

Table 214. PortCPin ConnLst Command Verb Format

	Verb ID	Payload	Response
Get	F02	00	See bitfield table

Table 215. PortCPin ConnLst Command Response Format

Bit	Bitfield Name	RW	Reset	Description
[31:24]	Entry3	R	0x00	Unused list entry.
[23:16]	Entry2	R	0x00	Unused list entry.
[15:8]	Entry1	R	0x00	Unused list entry.
[7:0]	Entry0	R	0x0E	Master Volume widget.

#### 5.18.5. PortCPin Ctl

Table 216. PortCPin Ctl Command Verb Format

	Verb ID	Payload	Response
Get	F07	00	See bitfield table
Set1	707	See bits [7:0] of bitfield table	0000_0000h

Table 217. PortCPin Ctl Command Response Format

Bit	Bitfield Name	RW	Reset	Description
[31:7]	Rsvd2	R	0x0	Reserved
[6]	OutEn	RW	0x0	1 = (CODEC) output path of Pin Widget is enabled
[5]	InEn	RW	0x1	1 = (CODEC) input path of Pin Widget is enabled

Table 217. PortCPin Ctl Command Response Format

Bit	Bitfield Name	RW	Reset	Description
[4:3]	Rsvd1	R	0x0	Reserved
[2:0]	VRefSelect	RW	0x0	VRefEn: Selects one of the possible states for the VRef signal associated with the Pin Widget. If the value written to this control does not correspond to a supported value defined in the VRefCntrl field of the Pin Capabilities parameter (0C), then this control will take the value of 000b (Hi-Z).

### 5.18.6. PortCPin UnsolResp

Table 218. PortCPin UnsolResp Command Verb Format

	Verb ID	Payload	Response
<b>Get</b>	F08	00	See bitfield table
<b>Set1</b>	708	See bits [7:0] of bitfield table	0000_0000h

Table 219. PortCPin UnsolResp Command Response Format

Bit	Bitfield Name	RW	Reset	Description
[31:8]	Rsvd2	R	0x00	Reserved
[7]	En	RW	0x0	Allow generation of Unsolicited Responses. Unsolicited response events occur upon jack-insertion OR completion of a Jack-Sense cycle.
[6]	Rsvd1	R	0x0	Reserved
[5:0]	Tag	RW	0x00	Software programmable field returned in top six bits (31:26) of every Unsolicited Response generated by this node.

### 5.18.7. PortCPin Sense

Table 220. PortCPin Sense Command Verb Format

	Verb ID	Payload	Response
<b>Get</b>	F09	00	See bitfield table
<b>Set1</b>	709	See bits [7:0] of bitfield table	0000_0000h
<b>Set2</b>	709	See bits [7:0] of bitfield table	0000_0000h

Table 221. PortCPin Sense Command Response Format

Bit	Bitfield Name	RW	Reset	Description
[31]	Present	R	0x0	1 = something is plugged into jack associated with Pin Complex.
[30:0]	Impedance	R	0x7FFF_FFFF	Measured impedance of the widget. A value of all 1's indicates that a valid sense reading is not available, or the sense measurement is busy if it has been recently triggered. Overlaps RightCh.
[0]	RightCh	W	0x0	Set 1 = perform impedance sensing on right channel or ring of the connector
[0]	LeftCh	W	0x0	Set 0 = perform impedance sensing on left channel or tip of the connector

### 5.18.8. PortCPin Config

Table 222. PortCPin Config Command Verb Format

	Verb ID	Payload	Response
<b>Get</b>	F1C	00	See bitfield table
<b>Set1</b>	71C	See bits [7:0] of bitfield table	0000_0000h
<b>Set2</b>	71D	See bits [15:8] of bitfield table	0000_0000h
<b>Set3</b>	71E	See bits [23:16] of bitfield table	0000_0000h
<b>Set4</b>	71F	See bits [31:24] of bitfield table	0000_0000h

Table 223. PortCPin Config Command Response Format

Bit	Bitfield Name	RW	Reset	Description
[31:30]	Port	RW	0x0	External Port Connectivity of the Pin Complex. 0 = Port Complex is connected to a jack
[29:24]	Location	RW	0x01	Physical location of the jack. 03h = Mainboard, Rear
[23:20]	Device	RW	0x8	Default Device, indicating intended use of jack. 8 = Line In
[19:16]	Connection	RW	0x1	Connection Type. 1 = 1/8 inch jack
[15:12]	Color	RW	0x3	Color of physical jack. 3 = Blue
[11:8]	Misc	RW	0x0	Misc[0] = Jack Detect override.
[7:4]	Assoc	RW	0x2	Default Association for Pin Complex groups. Reserved value 0000b should not be used. Value 1111b indicates lowest priority.
[3:0]	Sequence	RW	0x1	All Widgets in an association must have unique sequence number.

## 5.19. PortBPin Node (NID = 0x0B)

### 5.19.1. PortBPin WCap

Table 224. PortBPin WCap Command Verb Format

	Verb ID	Payload	Response
Get	F00	09	See bitfield table

Table 225. PortBPin WCap Command Response Format

Bit	Bitfield Name	RW	Reset	Description
[31:24]	Rsvd2	R	0x0	Reserved
[23:20]	Type	R	0x4	Widget type = Pin Complex
[19:16]	Delay	R	0x0	Number of sample delays through widget

Table 225. PortBPin WCap Command Response Format

Bit	Bitfield Name	RW	Reset	Description
[15:12]	Rsvd1	R	0x0	Reserved
[11]	SwapCap	R	0x0	No left/right channel swap capability
[10]	PwrCntrl	R	0x0	No support for Power State control
[9]	DigitalStrm	R	0x0	Widget supports an Analog stream
[8]	ConnList	R	0x1	Connection list is present
[7]	UnsolCap	R	0x1	Unsolicited Response is supported
[6]	ProcWidget	R	0x0	No Processing Controls parameter
[5]	Stripe	R	0x0	No support for striping
[4]	FormatOvrld	R	0x0	N/A for pin complex
[3]	AmpParamOvrld	R	0x0	No amplifier info; use default amplifier parameters from Audio Function node instead.
[2]	OutAmpPrsnt	R	0x0	No output amp
[1]	InAmpPrsnt	R	0x0	No input amp
[0]	Stereo	R	0x1	Stereo widget

### 5.19.2. PortBPin Cap

Table 226. PortBPin Cap Command Verb Format

	Verb ID	Payload	Response
Get	F00	0C	See bitfield table

Table 227. PortBPin Cap Command Response Format

Bit	Bitfield Name	RW	Reset	Description
[31:17]	Rsvd2	R	0x0	Reserved
[16]	EapdCap	R	0x0	This widget does not control EAPD pin

Table 227. PortBPin Cap Command Response Format

Bit	Bitfield Name	RW	Reset	Description
[15:8]	VRefCntrl	R	0x17	VRef generation is supported by this pin complex, and the following voltages can be produced on the associated VRef pin: 80% Avdd; 50% Avdd; GND; Hi-Z (required since pin complex is output capable)
[7]	Rsvd1	R	0x0	Reserved
[6]	BalancedIO	R	0x0	Pin complex does not have balanced pins.
[5]	InCap	R	0x1	Pin complex is input capable.
[4]	OutCap	R	0x1	Pin complex is output capable.
[3]	HPhnDrvCap	R	0x0	Pin does not have a headphone amplifier.
[2]	PresDtctCap	R	0x1	Pin complex can perform Presence Detect.
[1]	TrigRqd	R	0x1	Trigger is required for impedance measurement
[0]	ImpSenseCap	R	0x1	Pin complex supports impedance sense.

### 5.19.3. PortBPin ConnLen

Table 228. PortBPin ConnLen Command Verb Format

	Verb ID	Payload	Response
<b>Get</b>	F00	0E	See bitfield table

Table 229. PortBPin ConnLen Command Response Format

Bit	Bitfield Name	RW	Reset	Description
[31:8]	Rsvd	R	0x0	Reserved.
[7]	LongForm	R	0x0	Connection list uses short-form (7-bit) NID entries.
[6:0]	N	R	0x01	Number of NID entries in connection list.

#### 5.19.4. PortBPin ConnLst

Table 230. PortBPin ConnLst Command Verb Format

	Verb ID	Payload	Response
Get	F02	00	See bitfield table

Table 231. PortBPin ConnLst Command Response Format

Bit	Bitfield Name	RW	Reset	Description
[31:24]	Entry3	R	0x00	Unused list entry.
[23:16]	Entry2	R	0x00	Unused list entry.
[15:8]	Entry1	R	0x00	Unused list entry.
[7:0]	Entry0	R	0x0E	Master Volume widget.

#### 5.19.5. PortBPin Ctl

Table 232. PortBPin Ctl Command Verb Format

	Verb ID	Payload	Response
Get	F07	00	See bitfield table
Set1	707	See bits [7:0] of bitfield table	0000_0000h

Table 233. PortBPin Ctl Command Response Format

Bit	Bitfield Name	RW	Reset	Description
[31:7]	Rsvd2	R	0x0	Reserved
[6]	OutEn	RW	0x0	1 = (CODEC) output path of Pin Widget is enabled
[5]	InEn	RW	0x1	1 = (CODEC) input path of Pin Widget is enabled



Table 233. PortBPin Ctl Command Response Format

Bit	Bitfield Name	RW	Reset	Description
[4:3]	Rsvd1	R	0x0	Reserved
[2:0]	VRefSelect	RW	0x0	VRefEn: Selects one of the possible states for the VRef signal associated with the Pin Widget. If the value written to this control does not correspond to a supported value defined in the VRefCntrl field of the Pin Capabilities parameter (0C), then this control will take the value of 000b (Hi-Z).

### 5.19.6. PortBPin Unsolicited Response

Table 234. PortBPin Unsolicited Response Command Verb Format

	Verb ID	Payload	Response
<b>Get</b>	F08	00	See bitfield table
<b>Set1</b>	708	See bits [7:0] of bitfield table	0000_0000h

Table 235. PortBPin Unsolicited Response Command Response Format

Bit	Bitfield Name	RW	Reset	Description
[31:8]	Rsvd2	R	0x00	Reserved
[7]	En	RW	0x0	Allow generation of Unsolicited Responses. Unsolicited response events occur upon jack-insertion OR completion of a Jack-Sense cycle.
[6]	Rsvd1	R	0x0	Reserved
[5:0]	Tag	RW	0x00	Software programmable field returned in top six bits (31:26) of every Unsolicited Response generated by this node.

### 5.19.7. PortBPin Sense

Table 236. PortBPin Sense Command Verb Format

	Verb ID	Payload	Response
<b>Get</b>	F09	00	See bitfield table
<b>Set1</b>	709	See bits [7:0] of bitfield table	0000_0000h
<b>Set2</b>	709	See bits [7:0] of bitfield table	0000_0000h

Table 237. PortBPin Sense Command Response Format

Bit	Bitfield Name	RW	Reset	Description
[31]	Present	R	0x0	1 = something is plugged into jack associated with Pin Complex.
[30:0]	Impedance	R	0x7FFF_FFFF	Measured impedance of the widget. A value of all 1's indicates that a valid sense reading is not available, or the sense measurement is busy if it has been recently triggered. Overlaps RightCh.
[0]	RightCh	W	0x0	Set 1 = perform impedance sensing on right channel or ring of the connector
[0]	LeftCh	W	0x0	Set 0 = perform impedance sensing on left channel or tip of the connector

### 5.19.8. PortBPin Config

Table 238. PortBPin Config Command Verb Format

	Verb ID	Payload	Response
<b>Get</b>	F1C	00	See bitfield table
<b>Set1</b>	71C	See bits [7:0] of bitfield table	0000_0000h
<b>Set2</b>	71D	See bits [15:8] of bitfield table	0000_0000h
<b>Set3</b>	71E	See bits [23:16] of bitfield table	0000_0000h
<b>Set4</b>	71F	See bits [31:24] of bitfield table	0000_0000h

Table 239. PortBPIn Config Command Response Format

Bit	Bitfield Name	RW	Reset	Description
[31:30]	Port	RW	0x0	External Port Connectivity of the Pin Complex. 0 = Port Complex is connected to a jack
[29:24]	Location	RW	0x02	Physical location of the jack. 02h = Mainboard, Front
[23:20]	Device	RW	0xA	Default Device, indicating intended use of jack. A = Mic In
[19:16]	Connection	RW	0x1	Connection Type. 1 = 1/8 inch jack
[15:12]	Color	RW	0x9	Color of physical jack. 9 = Pink
[11:8]	Misc	RW	0x0	Misc[0] = Jack Detect override.
[7:4]	Assoc	RW	0x2	Default Association for Pin Complex groups. Reserved value 0000b should not be used. Value 1111b indicates lowest priority.
[3:0]	Sequence	RW	0x0	All Widgets in an association must have unique sequence number.

## 5.20. MonoOutPin Node (NID = 0x10)

### 5.20.1. MonoOutPin Vol

Table 240. MonoOutPin Vol Command Verb Format

	Verb ID	Payload	Response
<b>Get</b>	BA0	00	See bitfield table
<b>Set1</b>	3A0	See bits [7:0] of bitfield table	0000_0000h

Table 241. MonoOutPin Vol Command Response Format

Bit	Bitfield Name	RW	Reset	Description
[31:8]	Rsvd2	R	0x0	Reserved
[7]	Mute	RW	0x1	1 = mute is active

Table 241. MonoOutPin Vol Command Response Format

Bit	Bitfield Name	RW	Reset	Description
[6:5]	Rsvd1	R	0x0	Reserved
[4:0]	Gain	RW	0x1F	Mono (left) amplifier gain step number

### 5.20.2. MonoOutPin WCap

Table 242. MonoOutPin WCap Command Verb Format

	Verb ID	Payload	Response
<b>Get</b>	F00	09	See bitfield table

Table 243. MonoOutPin WCap Command Response Format

Bit	Bitfield Name	RW	Reset	Description
[31:24]	Rsvd2	R	0x0	Reserved
[23:20]	Type	R	0x4	Widget type = Pin Complex
[19:16]	Delay	R	0x0	Number of sample delays through widget
[15:12]	Rsvd1	R	0x0	Reserved
[11]	SwapCap	R	0x0	No left/right channel swap capability
[10]	PwrCntrl	R	0x0	No support for Power State control
[9]	DigitalStrm	R	0x0	Widget supports an Analog stream
[8]	ConnList	R	0x1	Connection list is present
[7]	UnsolCap	R	0x0	No support for Unsolicited Response
[6]	ProcWidget	R	0x0	No Processing Controls parameter
[5]	Stripe	R	0x0	No support for striping
[4]	FormatOvrd	R	0x0	N/A for pin complex
[3]	AmpParamOvrd	R	0x0	No amplifier info; use default amplifier parameters from Audio Function node instead.
[2]	OutAmpPrsnt	R	0x1	Output amp is present

Table 243. MonoOutPin WCap Command Response Format

Bit	Bitfield Name	RW	Reset	Description
[1]	InAmpPrsnt	R	0x0	No input amp
[0]	Stereo	R	0x0	Mono widget

### 5.20.3. MonoOutPin Cap

Table 244. MonoOutPin Cap Command Verb Format

	Verb ID	Payload	Response
<b>Get</b>	F00	0C	See bitfield table

Table 245. MonoOutPin Cap Command Response Format

Bit	Bitfield Name	RW	Reset	Description
[31:17]	Rsvd2	R	0x0	Reserved
[16]	EapdCap	R	0x0	This widget does not control EAPD pin.
[15:8]	VRefCntrl	R	0x00	VRef generation N/A since pin complex is not input capable.
[7]	Rsvd1	R	0x0	Reserved
[6]	BalancedIO	R	0x0	Pin complex does not have balanced pins.
[5]	InCap	R	0x0	Pin complex is not input capable.
[4]	OutCap	R	0x1	Pin complex is output capable.
[3]	HPHnDrvCap	R	0x0	Pin does not have a headphone amplifier.
[2]	PresDtctCap	R	0x0	Pin complex cannot perform Presence Detect.
[1]	TrigRqd	R	0x0	N/A
[0]	ImpSenseCap	R	0x0	Pin complex does not support impedance sense.

#### 5.20.4. MonoOutPin ConnLen

Table 246. MonoOutPin ConnLen Command Verb Format

	Verb ID	Payload	Response
Get	F00	0E	See bitfield table

Table 247. MonoOutPin ConnLen Command Response Format

Bit	Bitfield Name	RW	Reset	Description
[31:8]	Rsvd	R	0x0	Reserved
[7]	LongForm	R	0x0	Connection list uses short-form (7-bit) NID entries.
[6:0]	N	R	0x01	Number of NID entries in connection list.

#### 5.20.5. MonoOutPin ConnLst

Table 248. MonoOutPin ConnLst Command Verb Format

	Verb ID	Payload	Response
Get	F02	00	See bitfield table

Table 249. MonoOutPin ConnLst Command Response Format

Bit	Bitfield Name	RW	Reset	Description
[31:24]	Entry3	R	0x00	Unused list entry.
[23:16]	Entry2	R	0x00	Unused list entry.
[15:8]	Entry1	R	0x00	Unused list entry.
[7:0]	Entry0	R	0x12	MonoOut Mix widget.

### 5.20.6. MonoOutPin Ctl

Table 250. MonoOutPin Ctl Command Verb Format

	Verb ID	Payload	Response
<b>Get</b>	F07	00	See bitfield table
<b>Set1</b>	707	See bits [7:0] of bitfield table	0000_0000h

Table 251. MonoOutPin Ctl Command Response Format

Bit	Bitfield Name	RW	Reset	Description
[31:7]	Rsvd2	R	0x0	Reserved
[6]	OutEn	RW	0x0	1 = (CODEC) output path of Pin Widget is enabled.
[5:0]	Rsvd1	R	0x0	Reserved

### 5.20.7. MonoOutPin Config

Table 252. MonoOutPin Config Command Verb Format

	Verb ID	Payload	Response
<b>Get</b>	F1C	00	See bitfield table
<b>Set1</b>	71C	See bits [7:0] of bitfield table	0000_0000h
<b>Set2</b>	71D	See bits [15:8] of bitfield table	0000_0000h
<b>Set3</b>	71E	See bits [23:16] of bitfield table	0000_0000h
<b>Set4</b>	71F	See bits [31:24] of bitfield table	0000_0000h

Table 253. MonoOutPin Config Command Response Format

Bit	Bitfield Name	RW	Reset	Description
[31:30]	Port	RW	0x1	External Port Connectivity of the Pin Complex. 1 = no physical connection
[29:24]	Location	RW	0x10	Physical location of the jack. 10h = Internal, N/A

Table 253. MonoOutPin Config Command Response Format

Bit	Bitfield Name	RW	Reset	Description
[23:20]	Device	RW	0x0	Default Device, indicating intended use of jack. 0 = Line Out
[19:16]	Connection	RW	0x7	Connection Type. 7 = Other Analog
[15:12]	Color	RW	0x0	Color of physical jack. 0 = Unknown
[11:8]	Misc	RW	0x1	Misc[0] = Jack Detect override.
[7:4]	Assoc	RW	0xF	Default Association for Pin Complex groups. Reserved value 0000b should not be used. Value 1111b indicates lowest priority.
[3:0]	Sequence	RW	0x0	All Widgets in an association must have unique sequence number.

## 5.21. CDPin Node (NID = 0x11)

### 5.21.1. CDPin WCap

Table 254. CDPin WCap Command Verb Format

	Verb ID	Payload	Response
<b>Get</b>	F00	09	See bitfield table

Table 255. CDPin WCap Command Response Format

Bit	Bitfield Name	RW	Reset	Description
[31:24]	Rsvd2	R	0x0	Reserved
[23:20]	Type	R	0x4	Widget type = Pin Complex
[19:16]	Delay	R	0x0	Number of sample delays through widget
[15:12]	Rsvd1	R	0x0	Reserved
[11]	SwapCap	R	0x0	No left/right channel swap capability
[10]	PwrCntrl	R	0x0	No support for Power State control
[9]	DigitalStrm	R	0x0	Widget supports an Analog stream



Table 255. CDPin WCap Command Response Format

Bit	Bitfield Name	RW	Reset	Description
[8]	ConnList	R	0x0	No connection list is present
[7]	UnsolCap	R	0x0	No support for Unsolicited Response
[6]	ProcWidget	R	0x0	No Processing Controls parameter
[5]	Stripe	R	0x0	No support for striping
[4]	FormatOvrD	R	0x0	N/A for pin complex
[3]	AmpParamOvrD	R	0x0	No amplifier info; use default amplifier parameters from Audio Function node instead.
[2]	OutAmpPrsnt	R	0x0	No output amp
[1]	InAmpPrsnt	R	0x0	No input amp
[0]	Stereo	R	0x1	Stereo widget

### 5.21.2. CDPin Cap

Table 256. CDPin Cap Command Verb Format

	Verb ID	Payload	Response
Get	F00	0C	See bitfield table

Table 257. CDPin Cap Command Response Format

Bit	Bitfield Name	RW	Reset	Description
[31:17]	Rsvd2	R	0x0	Reserved
[16]	EapdCap	R	0x0	This widget does not control EAPD pin
[15:8]	VRefCntrl	R	0x00	VRef generation not supported by this pin complex.
[7]	Rsvd1	R	0x0	Reserved
[6]	BalancedIO	R	0x0	Pin complex does not have balanced pins.
[5]	InCap	R	0x1	Pin complex is input capable.

Table 257. CDPin Cap Command Response Format

Bit	Bitfield Name	RW	Reset	Description
[4]	OutCap	R	0x0	Pin complex is not output capable.
[3]	HPhnDrvCap	R	0x0	Pin does not have a headphone amplifier.
[2]	PresDtctCap	R	0x0	Pin complex cannot perform Presence Detect.
[1]	TrigRqd	R	0x0	N/A
[0]	ImpSenseCap	R	0x0	Pin complex does not support impedance sense.

### 5.21.3. CDPin Ctl

Table 258. CDPin Ctl Command Verb Format

	Verb ID	Payload	Response
<b>Get</b>	F07	00	See bitfield table
<b>Set1</b>	707	See bits [7:0] of bitfield table	0000_0000h

Table 259. CDPin Ctl Command Response Format

Bit	Bitfield Name	RW	Reset	Description
[31:6]	Rsvd2	R	0x0	Reserved
[5]	InEn	RW	0x1	1 = (CODEC) input path of Pin Widget is enabled (un-muted)
[4:0]	Rsvd1	R	0x0	Reserved

### 5.21.4. CDPin Config

Table 260. CDPin Config Command Verb Format

	Verb ID	Payload	Response
<b>Get</b>	F1C	00	See bitfield table
<b>Set1</b>	71C	See bits [7:0] of bitfield table	0000_0000h

Table 260. CDPin Config Command Verb Format

	Verb ID	Payload	Response
<b>Set2</b>	71D	See bits [15:8] of bitfield table	0000_0000h
<b>Set3</b>	71E	See bits [23:16] of bitfield table	0000_0000h
<b>Set4</b>	71F	See bits [31:24] of bitfield table	0000_0000h

Table 261. CDPin Config Command Response Format

Bit	Bitfield Name	RW	Reset	Description
[31:30]	Port	RW	0x2	External Port Connectivity of the Pin Complex. 2 = fixed function device
[29:24]	Location	RW	0x10	Physical location of the jack. 10h = Internal, N/A
[23:20]	Device	RW	0x3	Default Device, indicating intended use of jack. 3 = CD
[19:16]	Connection	RW	0x3	Connection Type. 3 = ATAPI internal
[15:12]	Color	RW	0x0	Color of physical jack. 0 = Unknown
[11:8]	Misc	RW	0x1	Misc[0] = Jack Detect override.
[7:4]	Assoc	RW	0x2	Default Association for Pin Complex groups. Reserved value 0000b should not be used. Value 1111b indicates lowest priority.
[3:0]	Sequence	RW	0x2	All Widgets in an association must have unique sequence number.

## 5.22. MonoOutMix Node (NID = 0x12)

### 5.22.1. MonoOutMix WCap

Table 262. MonoOutMix WCap Command Verb Format

	Verb ID	Payload	Response
<b>Get</b>	F00	09	See bitfield table

Table 263. MonoOutMix WCap Command Response Format

Bit	Bitfield Name	RW	Reset	Description
[31:24]	Rsvd2	R	0x0	Reserved
[23:20]	Type	R	0x2	Widget type = Audio Mixer
[19:16]	Delay	R	0x0	Number of sample delays through widget
[15:12]	Rsvd1	R	0x0	Reserved
[11]	SwapCap	R	0x0	Swapping of left and right channels not supported
[10]	PwrCntrl	R	0x0	No support for Power State control
[9]	DigitalStrm	R	0x0	Widget supports an Analog stream
[8]	ConnList	R	0x1	Connection list is present
[7]	UnsolCap	R	0x0	No support for Unsolicited Response
[6]	ProcWidget	R	0x0	No Processing Controls parameter.
[5]	Stripe	R	0x0	No support for striping
[4]	FormatOvrd	R	0x0	No format info; use default format parameters from Audio Function node instead
[3]	AmpParamOvrd	R	0x0	No amplifier info; use default amplifier parameters from Audio Function node instead
[2]	OutAmpPrsnt	R	0x0	No output amp
[1]	InAmpPrsnt	R	0x0	No input amp
[0]	Stereo	R	0x0	Mono widget

### 5.22.2. MonoOutMix ConnLen

Table 264. MonoOutMix ConnLen Command Verb Format

	Verb ID	Payload	Response
<b>Get</b>	F00	0E	See bitfield table

Table 265. MonoOutMix ConnLen Command Response Format

Bit	Bitfield Name	RW	Reset	Description
[31:8]	Rsvd	R	0x0	Reserved.
[7]	LongForm	R	0x0	Connection list uses short-form (7-bit) NID entries.
[6:0]	N	R	0x01	Number of NID entries in connection list.

### 5.22.3. MonoOutMix ConnLst

Table 266. MonoOutMix ConnLst Command Verb Format

	Verb ID	Payload	Response
Get	F02	00	See bitfield table

Table 267. MonoOutMix ConnLst Command Response Format

Bit	Bitfield Name	RW	Reset	Description
[31:24]	Entry3	R	0x00	Unused list entry.
[23:16]	Entry2	R	0x00	Unused list entry.
[15:8]	Entry1	R	0x00	Unused list entry.
[7:0]	Entry0	R	0x06	DAC Mux widget.

## 5.23. PCBeep Node (NID = 0x13)

### 5.23.1. PCBeep Vol

Table 268. PCBeep Vol Command Verb Format

	Verb ID	Payload	Response
Get	BA0	00	See bitfield table
Set1	3A0	See bits [7:0] of bitfield table	0000_0000h

Table 269. PCBeep Vol Command Response Format

Bit	Bitfield Name	RW	Reset	Description
[31:8]	Rsvd2	R	0x0	Reserved
[7]	Mute	RW	0x1	1 = mute is active
[6:2]	Rsvd1	R	0x0	Reserved
[1:0]	Gain	RW	0x3	Mono (left) amplifier gain step number

### 5.23.2. PCBeep WCap

Table 270. PCBeep WCap Command Verb Format

	Verb ID	Payload	Response
Get	F00	09	See bitfield table

Table 271. PCBeep WCap Command Response Format

Bit	Bitfield Name	RW	Reset	Description
[31:24]	Rsvd3	R	0x0	Reserved
[23:20]	Type	R	0x7	Widget type = Beep Generator
[19:4]	Rsvd2	R	0x0	Reserved
[3]	AmpParamOvrD	R	0x1	This widget contains its own amplifier parameters.
[2]	OutAmpPrsnt	R	0x1	Output amp is present
[1]	InAmpPrsnt	R	0x0	N/A
[0]	Stereo	R	0x0	Mono widget

### 5.23.3. PCBeep OutAmpCap

Table 272. PCBeep OutAmpCap Command Verb Format

	Verb ID	Payload	Response
<b>Get</b>	F00	12	See bitfield table

Table 273. PCBeep OutAmpCap Command Response Format

Bit	Bitfield Name	RW	Reset	Description
[31]	Mute	R	0x1	Amplifier is capable of muting
[30:23]	Rsvd3	R	0x0	Reserved
[22:16]	StepSize	R	0x17	Size of each step in the gain range = 6 dB
[15]	Rsvd2	R	0x0	Reserved
[14:8]	NumSteps	R	0x03	Number of steps in the gain range = 3 (4 values, -18dB to 0dB)
[7]	Rsvd1	R	0x0	Reserved
[6:0]	Offset	R	0x03	0dB-step is programmed with this offset

### 5.23.4. PCBeep Gen

Table 274. PCBeep Gen Command Verb Format

	Verb ID	Payload	Response
<b>Get</b>	F0A	00	See bitfield table
<b>Set1</b>	70A	See bits [7:0] of bitfield table	0000_0000h

Table 275. PCBeep Gen Command Response Format

Bit	Bitfield Name	RW	Reset	Description
[31:8]	Rsvd	R	0x0	Reserved
[7:0]	Divider	RW	0x00	Enable internal PC-Beep generation. Divider = 00h - disables internal PC Beep generation and enables normal operation of the CODEC. Divider not 00h - generates the beep tone on all Pin Complexes that are currently configured as outputs. The HD Audio specification states that the beep tone: frequency = (48 KHz HD Audio SYNC rate) / (4*Divider), producing tones from 47 Hz to 12 KHz (logarithmic scale). Instead, this part generates tones with frequency = 48000 * (257 - Divider) / 1024, yielding a linear range from 12 KHz to 93.75 Hz in steps of 46.875 Hz. If JackSenseVSR[Rate2x], then the beep tones generated have: frequency = 48000 * (513 - Divider) / 1024, yielding a range of 24 KHz to 12093.75 Hz in steps of 46.875 Hz.

## 5.24. ADC0InMux Node (NID = 0x14)

### 5.24.1. ADC0InMux WCap

Table 276. ADC0InMux WCap Command Verb Format

	Verb ID	Payload	Response
Get	F00	09	See bitfield table

Table 277. ADC0InMux WCap Command Response Format

Bit	Bitfield Name	RW	Reset	Description
[31:24]	Rsvd2	R	0x0	Reserved
[23:20]	Type	R	0x3	Widget type = Audio Selector
[19:16]	Delay	R	0x0	Number of sample delays through widget
[15:12]	Rsvd1	R	0x0	Reserved
[11]	SwapCap	R	0x1	Left and right channels can be swapped



Table 277. ADC0InMux WCap Command Response Format

Bit	Bitfield Name	RW	Reset	Description
[10]	PwrCntrl	R	0x0	No support for Power State control
[9]	DigitalStrm	R	0x0	Widget supports an Analog stream
[8]	ConnList	R	0x1	Connection list is present
[7]	UnsolCap	R	0x0	No support for Unsolicited Response
[6]	ProcWidget	R	0x0	No Processing Controls parameter.
[5]	Stripe	R	0x0	No support for striping
[4]	FormatOvrđ	R	0x0	No format info; use default format parameters from Audio Function node instead
[3]	AmpParamOvrđ	R	0x1	This widget contains its own amplifier parameters.
[2]	OutAmpPrsnt	R	0x1	Output amp is present
[1]	InAmpPrsnt	R	0x0	No input amp
[0]	Stereo	R	0x1	Stereo widget

### 5.24.2. ADC0InMux ConnLen

Table 278. ADC0InMux ConnLen Command Verb Format

	Verb ID	Payload	Response
Get	F00	0E	See bitfield table

Table 279. ADC0InMux ConnLen Command Response Format

Bit	Bitfield Name	RW	Reset	Description
[31:8]	Rsvd	R	0x0	Reserved
[7]	LongForm	R	0x0	Connection list uses short-form (7-bit) NID entries.
[6:0]	N	R	0x02	Number of NID entries in connection list. 02h if Dig Mic is available, 01h if it is disabled by bond option.

### 5.24.3. ADC0InMux ConnSel

Table 280. ADC0InMux ConnSel Command Verb Format

	Verb ID	Payload	Response
<b>Get</b>	F01	00	See bitfield table
<b>Set1</b>	701	See bits [7:0] of bitfield table	0000_0000h

Table 281. ADC0InMux ConnSel Command Response Format

Bit	Bitfield Name	RW	Reset	Description
[31:2]	Rsvd	R	0x0	Reserved
[1:0]	Index	RW	0x0	Connection select control index.

### 5.24.4. ADC0InMux ConnLst

Table 282. ADC0InMux ConnLst Command Verb Format

	Verb ID	Payload	Response
<b>Get</b>	F02	00	See bitfield table

Table 283. ADC0InMux ConnLst Command Response Format

Bit	Bitfield Name	RW	Reset	Description
[31:24]	Entry3	R	0x00	Unused list entry
[23:16]	Entry2	R	0x00	Unused list entry
[15:8]	Entry1	R	0x15	Dig Mic pin widget (15h) if Dig Mic is available, 00h if it is disabled by bond option.
[7:0]	Entry0	R	0x09	ADC0VolMux

5.24.5. *ADC0InMux LR*

Table 284. ADC0InMux LR Command Verb Format

	Verb ID	Payload	Response
<b>Get</b>	F0C	00	See bitfield table
<b>Set1</b>	70C	See bits [7:0] of bitfield table	0000_0000h

Table 285. ADC0InMux LR Command Response Format

Bit	Bitfield Name	RW	Reset	Description
[31:3]	Rsvd2	R	0x0	Reserved
[2]	SwapEn	RW	0x0	1 = swap left and right channels of this Widget.
[1:0]	Rsvd1	R	0x0	Reserved

5.24.6. *ADC0InMux OutAmpCap*

Table 286. ADC0InMux OutAmpCap Command Verb Format

	Verb ID	Payload	Response
<b>Get</b>	F00	12	See bitfield table

Table 287. ADC0InMux OutAmpCap Command Response Format

Bit	Bitfield Name	RW	Reset	Description
[31]	Mute	R	0x1	Amplifier is capable of muting
[30:23]	Rsvd3	R	0x0	Reserved
[22:16]	StepSize	R	0x00	Size of each step in the gain range, N/A since there are no steps
[15]	Rsvd2	R	0x0	Reserved
[14:8]	NumSteps	R	0x00	No steps, gain is fixed at 0dB
[7]	Rsvd1	R	0x0	Reserved
[6:0]	Offset	R	0x00	0dB-step is programmed with this offset

### 5.24.7. ADC0InMux VolRight

Table 288. ADC0InMux VolRight Command Verb Format

	Verb ID	Payload	Response
<b>Get</b>	B80	00	See bitfield table
<b>Set1</b>	390	See bits [7:0] of bitfield table	0000_0000h

Table 289. ADC0InMux VolRight Command Response Format

Bit	Bitfield Name	RW	Reset	Description
[31:8]	Rsvd2	R	0x0	Reserved
[7]	Mute	RW	0x1	1 = mute is active
[6:0]	Rsvd1	R	0x0	Reserved

### 5.24.8. ADC0InMux VolLeft

Table 290. ADC0InMux VolLeft Command Verb Format

	Verb ID	Payload	Response
<b>Get</b>	BA0	00	See bitfield table
<b>Set1</b>	3A0	See bits [7:0] of bitfield table	0000_0000h

Table 291. ADC0InMux VolLeft Command Response Format

Bit	Bitfield Name	RW	Reset	Description
[31:8]	Rsvd2	R	0x0	Reserved
[7]	Mute	RW	0x1	1 = mute is active
[6:0]	Rsvd1	R	0x0	Reserved

## 5.25. DigMicPin Node (NID = 0x15) (STAC9251 only)

### 5.25.1. DigMicPin WCap (STAC9251 only)

Table 292. DigMicPin WCap (for STAC9251 only) Command Verb Format

	Verb ID	Payload	Response
Get	F00	09	See bitfield table

Table 293. DigMicPin WCap (for STAC9251 only) Command Response Format

Bit	Bitfield Name	RW	Reset	Description
[31:24]	Rsvd2	R	0x0	Reserved
[23:20]	Type	R	0x4	Widget type = Pin Complex
[19:16]	Delay	R	0x0	Number of sample delays through widget
[15:12]	Rsvd1	R	0x0	Reserved
[11]	SwapCap	R	0x0	No left/right channel swap capability
[10]	PwrCntrl	R	0x0	No support for Power State control
[9]	DigitalStrm	R	0x0	Widget supports an Analog stream (since the digital microphone input is a SDM signal that needs to be processed by the digital filters, it is not a true bit for bit digital stream like I <sup>2</sup> S or SPDIF where samples are passed through unchanged)
[8]	ConnList	R	0x0	No connection list is present
[7]	UnsolCap	R	0x0	No support for Unsolicited Response
[6]	ProcWidget	R	0x0	No Processing Controls parameter
[5]	Stripe	R	0x0	No support for striping
[4]	FormatOvrd	R	0x0	N/A for pin complex
[3]	AmpParamOvrd	R	0x0	No amplifier info; use default amplifier parameters from Audio Function node instead.
[2]	OutAmpPrsnt	R	0x0	No output amp

Table 293. DigMicPin WCap (for STAC9251 only) Command Response Format

Bit	Bitfield Name	RW	Reset	Description
[1]	InAmpPrsnt	R	0x0	No input amp
[0]	Stereo	R	0x1	Stereo widget

### 5.25.2. DigMicPin Cap (STAC9251 only)

Table 294. DigMicPin Cap (for STAC9251 only) Command Verb Format

	Verb ID	Payload	Response
<b>Get</b>	F00	0C	See bitfield table

Table 295. DigMicPin Cap (for STAC9251 only) Command Response Format

Bit	Bitfield Name	RW	Reset	Description
[31:17]	Rsvd2	R	0x0	Reserved
[16]	EapdCap	R	0x0	This widget does not control EAPD pin
[15:8]	VRefCntrl	R	0x00	VRef generation not supported by this pin complex.
[7]	Rsvd1	R	0x0	Reserved
[6]	BalancedIO	R	0x0	Pin complex does not have balanced pins.
[5]	InCap	R	0x1	Pin complex is input capable.
[4]	OutCap	R	0x0	Pin complex is not output capable.
[3]	HPHnDrvCap	R	0x0	Pin does not have a headphone amplifier.
[2]	PresDtctCap	R	0x0	Pin complex cannot perform Presence Detect.
[1]	TrigRqd	R	0x0	N/A
[0]	ImpSenseCap	R	0x0	Pin complex does not support impedance sense.

### 5.25.3. DigMicPin Ctl (STAC9251 only)

Table 296. DigMicPin Ctl (for STAC9251 only) Command Verb Format

	Verb ID	Payload	Response
<b>Get</b>	F07	00	See bitfield table
<b>Set1</b>	707	See bits [7:0] of bitfield table	0000_0000h

Table 297. DigMicPin Ctl (for STAC9251 only) Command Response Format

Bit	Bitfield Name	RW	Reset	Description
[31:6]	Rsvd2	R	0x0	Reserved
[5]	InEn	RW	0x0	1 = (CODEC) input path of Pin Widget is enabled
[4:0]	Rsvd1	R	0x0	Reserved

### 5.25.4. DigMicPin Config (STAC9251 only)

Table 298. DigMicPin Config (for STAC9251 only) Command Verb Format

	Verb ID	Payload	Response
<b>Get</b>	F1C	00	See bitfield table
<b>Set1</b>	71C	See bits [7:0] of bitfield table	0000_0000h
<b>Set2</b>	71D	See bits [15:8] of bitfield table	0000_0000h
<b>Set3</b>	71E	See bits [23:16] of bitfield table	0000_0000h
<b>Set4</b>	71F	See bits [31:24] of bitfield table	0000_0000h

Table 299. DigMicPin Config (for STAC9251 only) Command Response Format

Bit	Bitfield Name	RW	Reset	Description
[31:30]	Port	RW	0x1	External Port Connectivity of the Pin Complex. 1 = no physical connection
[29:24]	Location	RW	0x10	Physical location of the jack. 10h = Internal, N/A
[23:20]	Device	RW	0xA	Default Device, indicating intended use of jack. A = Mic In

Table 299. DigMicPin Config (for STAC9251 only) Command Response Format

Bit	Bitfield Name	RW	Reset	Description
[19:16]	Connection	RW	0x0	Connection Type. 0 = Unknown
[15:12]	Color	RW	0x0	Color of physical jack. 0 = Unknown
[11:8]	Misc	RW	0x1	Misc[0] = Jack Detect override.
[7:4]	Assoc	RW	0xF	Default Association for Pin Complex groups. Reserved value 0000b should not be used. Value 1111b indicates lowest priority.
[3:0]	Sequence	RW	0x1	All Widgets in an association must have unique sequence number.



## 6. ORDERING INFORMATION

### 6.1. STAC9250/9251 Family Options and Part Order Numbers

The +4V Analog voltage is supported by the +5 V version of the STAC9250/9251.

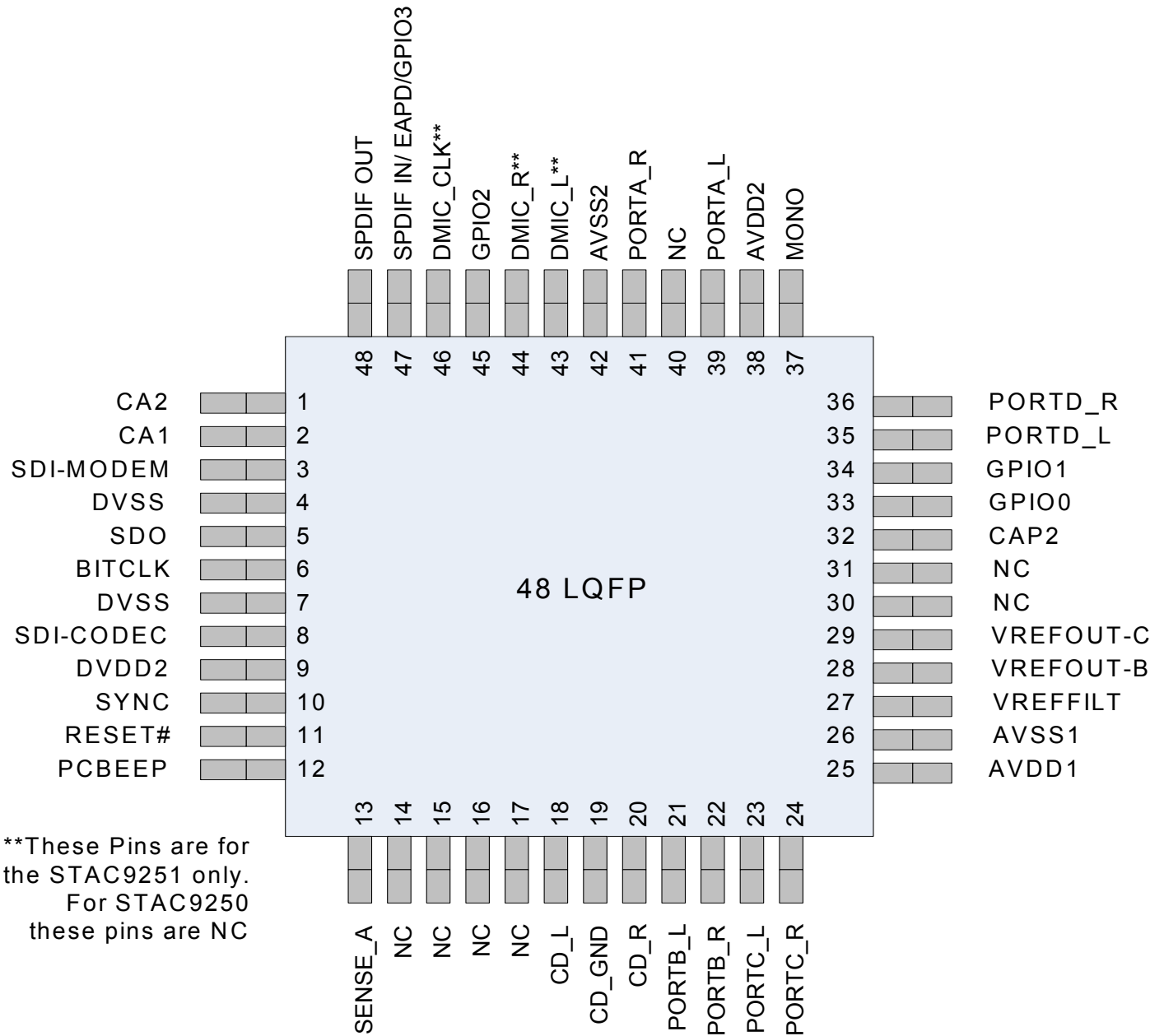
**Table 300. STAC9250/9251 Ordering Information**

Part Order Number	Voltage	DAC SNR	Digital Mic	Pkg Pins
STAC9250X5TAEyy	5 V / 4 V	100dB	No	48 LQFP
STAC9250X3TAEyy	3.3 V	100dB	No	48 LQFP
STAC9251X5TAEyy	5 V / 4 V	100dB	Yes	48 LQFP
STAC9251X3TAEyy	3.3 V	100dB	Yes	48 LQFP

NOTE: When ordering these parts the “yy” will be replaced with the CODEC revision. Add an “R” to the end of any of these part numbers for delivery on Tape and Reel. The minimum order quantity for Tape and Reel is 2,000 units for both package options.

### 6.2. STAC9250/9251 Pin Diagram

Figure 5. STAC9250/9251 Pin Diagram



### 6.3. Pin Table for STAC9250/9251

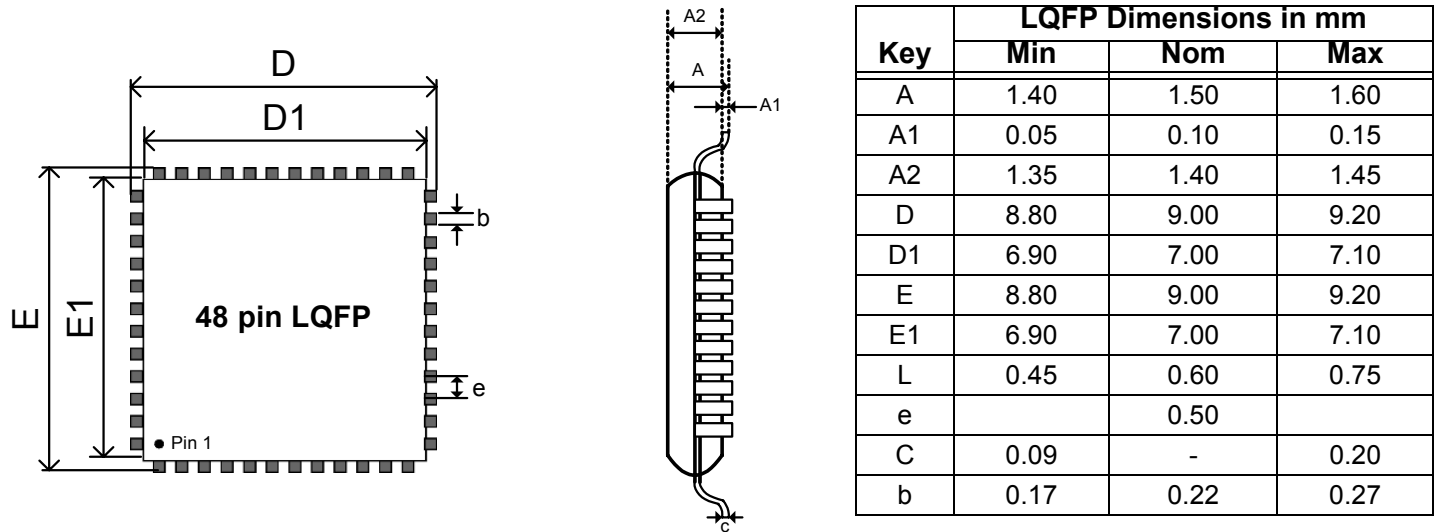
Pin Name	Pin Function	I/O	Internal Pull-up /Pull-down	Pin Location
C2A	Isolation Capacitor 2A	I/O(Analog)	None	1
C1A	Isolation Capacitor 1A	I/O(Analog)	None	2
SDATA_IN/MODEM	HD Audio Serial Data input for the modem (outbound stream)	O(Analog)	None	3
DVSS	Digital Ground	I(Digital)	None	4
SDATA_OUT	HD Audio Serial Data output (inbound stream)	I/O(Digital)	None	5
BIT_CLK	HD Audio Bit Clock	I(Digital)	None	6
DVSS3	Digital Ground	I(Digital)	None	7
SDATA_IN/CODEC	HD Audio Serial Data input for the CODEC (outbound stream)	O(Digital)	None	8
DVDD_CORE3	Digital Vdd = 3.3V	I(Digital)	None	9
SYNC	HD Audio Frame Sync	I(Digital)	None	10
RESET#	HD Audio Reset	I(Digital)	None	11
PCBEEP	PC Beep	I(Analog)	None	12
SENSE_A	Jack insertion detection Ports A,B,C,D	I(Analog)	None	13
NC	No Connect	None	None	14
NC	No Connect	None	None	15
NC	No Connect	None	None	16
NC	No Connect	None	None	17
CD-L	CD Audio Left Channel	I(Analog)	None	18
CD-GND	CD Audio Analog Ground	I(Analog)	None	19
CD-R	CD Audio Right Channel	I(Analog)	None	20
PORT-B_L	Input/Output of Left DAC2	I/O(Analog)	None	21
PORT-B_R	Input/Output of Right DAC2	I/O(Analog)	None	22
PORT-C_L	Input/Output of Left DAC1	I/O(Analog)	None	23
PORT-C_R	Input/Output of Right DAC1	I/O(Analog)	None	24
AVDD1	Analog Vdd = 5.0V or 3.3V	I(Analog)	None	25
AVSS1	Analog Ground	I(Analog)	None	26
VREF FILT	Analog Virtual Ground	O(Analog)	None	27
VREFOUT-B	Reference Voltage out drive (intended for mic bias) for Port B	O(Analog)	None	28
VREFOUT-C	Reference Voltage out drive (intended for mic bias) for Port C	O(Analog)	None	29
NC	No Connect	None	None	30
NC	No Connect	None	None	31
CAP2	ADC reference Cap	O(Analog)	None	32

Pin Name	Pin Function	I/O	Internal Pull-up /Pull-down	Pin Location
GPIO0	General Purpose I/O tied to AVDD50K internal pull-up to AVddgnda	I/O(Digital)	Pull-up 50 K $\Omega$ or more	33
GPIO1	General Purpose I/O tied to AVDD50K internal pull-up to AVddgnda	I/O(Digital)	Pull-up 50K or more	34
PORT-D_L	Input/Output of Left DAC0	I/O(Analog)	None	35
PORT-D_R	Input/Output of Right DAC0	I/O(Analog)	None	36
MONO	Mono Out from DAC	O(Analog)	None	37
AVDD2	Analog Vdd = 5.0V or 3.3V	I(Analog)	None	38
PORT-A_L	Input/Output of Left DAC0	I/O(Analog)	None	39
NC	No Connect	None	None	40
PORT-A_R	Input/Output of Right DAC0	I/O(Analog)	None	41
AVSS3	Analog Ground	I(Analog)	None	42
DMIC_L**	Digital Mic Input Left Channel **STAC9251 Only. For the STAC9250 these pins are a No Connect	I(Digital)	None	43
DMIC_R**	Digital Mic Input Right Channel **STAC9251 Only. For the STAC9250 these pins are a No Connect	I(Digital)	None	44
GPIO2	General Purpose I/O tied to AVDD50K internal pull-up to AVddgnda	I/O(Digital)	Pull-up 50 K $\Omega$ or more	45
DMIC_CLK**	Digital Mic Output Clock **STAC9251 Only. For the STAC9250 these pins are a No Connect	O(Digital)	None	46
SPDIFIN/EAPD/GPIO3	SPDIF Input, External Amplifier Power Down, General Purpose I/O	I/O(Digital)	None	47
S/PDIF-OUT	SPDIF digital output (50K internal pull-down)	O(Digital)	50 K $\Omega$ internal pull-down	48

## 7. PACKAGE DRAWINGS

### 7.1. 48-Pin LQFP

Figure 6. 48-Pin LQFP Package Outline and Package Dimensions



## 8. SOLDER REFLOW PROFILE

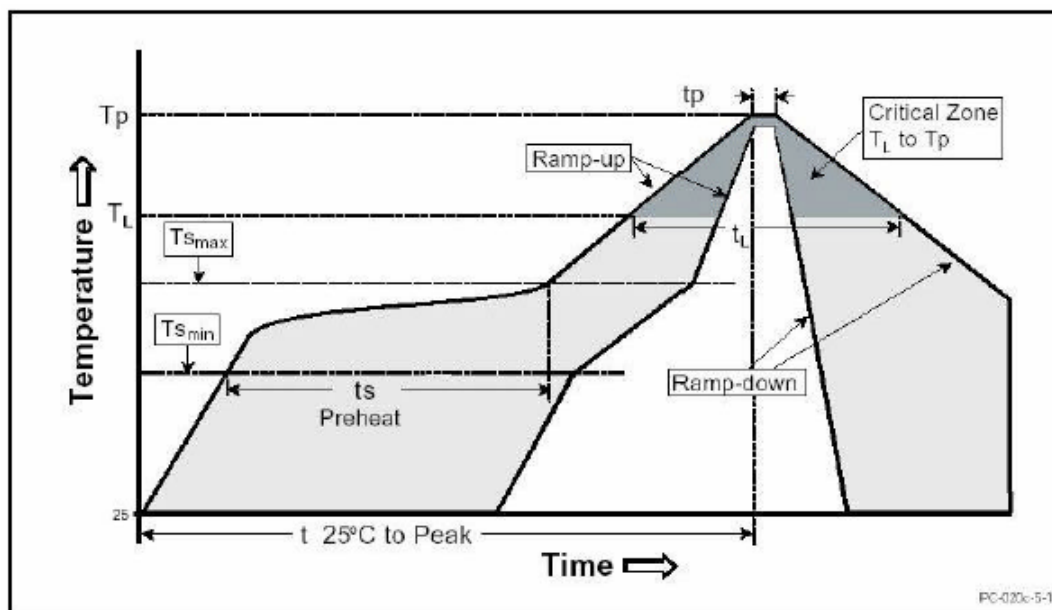
### 8.1. Standard Reflow Profile Data

Note: These devices can be hand soldered at 360 °C for 3 to 5 seconds.

**FROM:** IPC / JEDEC J-STD-020C "Moisture/Reflow Sensitivity Classification for Nonhermetic Solid State Surface Mount Devices" ([www.jedec.org/download](http://www.jedec.org/download)).

Profile Feature	Pb Free Assembly
Average Ramp-Up Rate ( $T_{s_{max}} - T_p$ )	3 °C / second max
Preheat Temperature Min ( $T_{s_{min}}$ ) Temperature Max ( $T_{s_{max}}$ ) Time ( $t_{s_{min}} - t_{s_{max}}$ )	150 °C 200 °C 60 - 180 seconds
Time maintained above Temperature ( $T_L$ ) Time ( $t_L$ )	217 °C 60 - 150 seconds
Peak / Classification Temperature ( $T_p$ )	See "Package Classification Reflow Temperatures" on page 135.
Time within 5 °C of actual Peak Temperature ( $t_p$ )	20 - 40 seconds
Ramp-Down rate	6 °C / second max
Time 25 °C to Peak Temperature	8 minutes max
<b>Note: All temperatures refer to topside of the package, measured on the package body surface.</b>	

Figure 7. Solder Reflow Profile



## 8.2. Pb Free Process - Package Classification Reflow Temperatures

Package Type	MSL	Reflow Temperature
LQFP 48-pin	3	260 + 0 °C*

## 9. REVISION HISTORY

Revision	Date	Description of Change
0.1	May 2005	Initial Release
0.5	August 2005	Updated 5 V Analog Performance Characteristics numbers. Updated 48 Pin Reflow Profile Table. This is a visual change only. No content was changed.
0.8	September 2005	Updated Power Consumption numbers. Added in Contact IDT note for 4 V and 3.3 V Analog AC numbers. Added updated note 4 on AC table. Added note 2 in Universal Jack section pertaining to 40dB mic boost.
1.0	November 2006	Updated logo. Added Dolby note under ordering information.
1.1	27 October 2006	Released in IDT format.
1.2	January 2008	Remoced STAC9250D and STAC9251D, as EOL issued.



Innovate with IDT audio for high fidelity. Contact:

**www.IDT.com**

**For Sales**

800-345-7015  
408-284-8200  
Fax: 408-284-2775

**For Tech Support**

[HA.CM@idt.com](mailto:HA.CM@idt.com)

---

**Corporate Headquarters**

Integrated Device Technology, Inc.  
6024 Silver Creek Valley Road  
San Jose, CA 95138  
United States  
800 345 7015  
+408 284 8200 (outside U.S.)

**Europe**

IDT Europe, Limited  
Prime House  
Barnett Wood Lane  
Leatherhead, Surrey  
United Kingdom KT22 7DE  
+44 1372 363 339

