

DSP/MCU system for CD-DA, CD-CA, CD-ROM player

Data Brief

Features

- CD-R, CD-RW playback
- Audio decoding (MP3,WMA,AAC)
- CLV (1x, 2x, 4x) and CAV mode (6x)
- On-chip USB-OTG host full speed
- 3.3 V \pm 5 % operating supply range for I/O
- 1.8 V \pm 5 % operating supply range for logic
- IDLE, WFI and STOP modes
- Power on reset / Brownout controller
- 33.8688 MHz external quartz/resonator
- Operating temperature range: -40 °C to +85 °C

Embedded ARM7TDMI microcontroller

- 32 bit MCU with 3-stage pipeline @ 67 MHz
- 384 KB internal ROM (4 Mb on package RAM for development version) and 128 KB RAM
- I²C master/slave (400 kHz) + 1 CRQ line
- Two high-speed UART full-duplex
- Two buffered SPI master/slave interface

Analog Front-end part

- A, B, C, D, E, F voltage inputs
- Automatic gain and offset control
- ALPC circuit with integrated Power MOS
- 8 bit 2 channels general purpose ADC

Digital servo

- Automatic fine gain/balance/offset adjustment for tracking and focus
- Embedded 16 bit servo DSP (33.8688 MHz)
- PDM controls for focus, tracking, spindle, sledge
- Embedded stepping sledge motor controller
- CLV & CAV spindle control



Acquisition

- Full range adjustment-free digital PLL
- EFM demodulation and synchronization
- Q subcode and CD text decoder

Error correction

- CIRC, capable of dual C1, quad C2 erasure
- RSPC capable of C3 corrections
- Jitter absorbing capacity \pm 24 frames (CLV)

Shock-proof controller

- Up to 64 Mbit external SDRAM interface
- 8/16 bit data bus interface
- ADPCM (4:1) lossy compression for extended shock proof capability

Audio features

- Two I²S transmitters and one I²S receiver
- SPDIF transmitter (IEC958) and receiver
- Sample-rate conversion from 8 kHz - 48 kHz input to 44.1 kHz output
- Digital equalizer for bass/treble control
- Built-in stereo DAC

Development environment

- 5 pin JTAG port (IEEE 1149.1 standard)

Table 1. Device summary

Order code	Package	Packing
STA1052S1	LQFP144	Tray

Contents

1	Description	3
2	System block diagram	4
3	Pin description	5
	3.1 Pin connection	5
	3.2 Pin function description	6
4	Package information	12
5	Revision history	13

1 Description

The STA1052 is a single chip device which performs all functions related to read back of optical disk: servo control operations, reading optical disc decoding the High frequency signals, EFM decoding, error correction, software decoding of MP3 and WMA encoded audio, sample rate conversion, managing file system, serial transfer of audio/program through I²S/SPDIF, direct playback of audio through in-built audio DAC.

It also performs software decoding of MP3, AAC and WMA encoded audio from USB or SD card™ memory supports.

Commands can be exchanged with the Host MCU either via one I²C port or two SPI ports.

STA1052 chip comes along a broad software suite that comprehends different types of compressed audio files, File System Management, Play Lists.

The key Media and File Types supported are briefly reported below:

- Ability to play any USB/SD card compatible solid state memory media
- MPEG1-Layer 2 compressed audio files
- Playback of MP3 compressed audio files (all bit rates and VBR)
- Playback of lower bit rate MPEG2 layer 3 files and MPEG-2.5 extension
- Playback of WMA version 9 compressed audio files
- Playback of iTunes AAC compressed audio files
- Sample rate converter for recorded sampling rates other than 44.1kHz
- Support FAT16/FAT32 file systems
- Support ISO9660 and Joliet file systems

The software can manage the following File Information: folder and file names.

ID3 tag information - as per versions 1.0-1.1, 2.0 - 2.4- is reported. Further parameters made available by ST software are: File type (i.e. .mp3, .wav, .wma, .cda, .aac), Bit rate, entire file path for current track and track elapsed time.

STA1052 software provides the essential Navigation Commands: Previous/Next , Fast forward/Rewind, Jump to any file, Scan, Pause. All these commands can be programmed and configured via Command Protocol Interface.

Two different types of Playlists are supported: Playlists with .pls extension, Playlists with .m3u extension.

Robust software architecture provides an efficient error handling and related messaging.

ST developed a software architecture that allows the patching of a few parts of software resident in ROM. Software patches are loaded into a very inexpensive serial Flash which provides the capability to patch up to 40 KByte of ROM software.

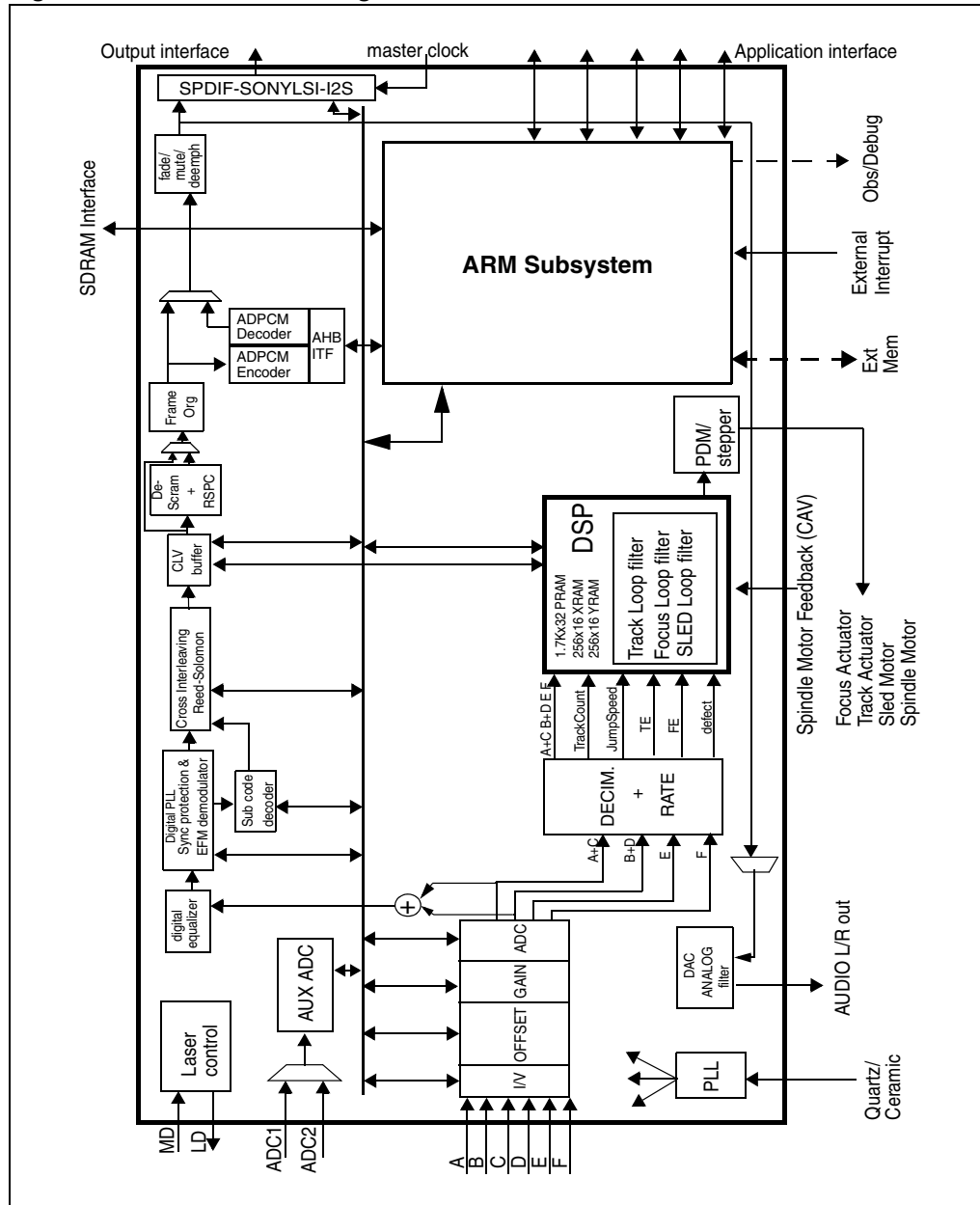
Software build (patching) upgrade from media USB and SD card and from host MCU onto serial Flash is supported.

STA1052 is intended for use in automotive entertainment system.

2 System block diagram

Figure 1 provides the complete system block diagram, where the ARM sub-system is represented as a hierarchical block.

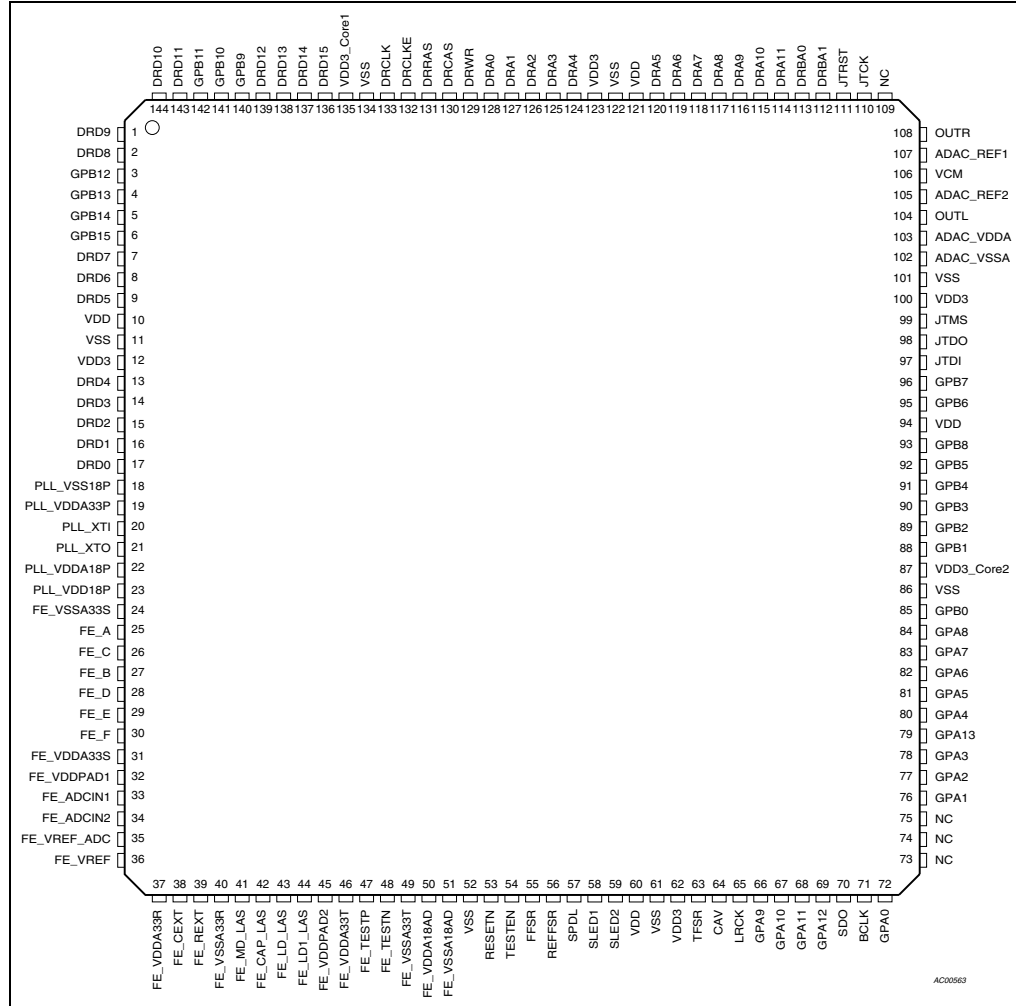
Figure 1. STA1052 block diagram



3 Pin description

3.1 Pin connection

Figure 2. LQFP144 pin configuration (top view)



1. NC defines not connected pins.

3.2 Pin function description

This pin list contains the definition and description of all pins.

[Table 2](#) gives pin list for LQFP144.

Table 2. Pin List

N°	Name	Description	Pin type	LQFP144
1	GPC9(DRD9)	GPIO PC9 (SDRAM data 9)	bidir, 3.3V , 4 mA	1
2	GPC8(DRD8)	GPIO PC8 (SDRAM data 8)	bidir, 3.3 V, 4 mA	2
3	GPB12	GPIO PB12(BSPI1_SS)	bidir, 3.3 V, 2 mA, PU (default off)	3
4	GPB13	GPIO PB13 (BSPI1_MISO)	bidir, 3.3 V, 2 mA, PU (default off)	4
5	GPB14	GPIO PB14 (BSPI1_MOSI)	bidir, 3.3 V, 2 mA, PU (default off)	5
6	GPB15	GPIO PB15 (BSPI1_SCK)	bidir, 3.3 V, 2 mA, PU (default off)	6
7	GPC7(DRD7)	GPIO PC7 (SDRAM data 7)	bidir, 3.3 V, 4 mA	7
8	GPC6(DRD6)	GPIO PC6 (SDRAM data 6)	bidir, 3.3 V, 4 mA	8
9	GPC5(DRD5)	GPIO PC5 (SDRAM data 5)	bidir, 3.3 V, 4 mA	9
10	VDD	Core VDD1.8 V	VDD	10
11	VSS	Digital pad ring VSS ground	VSS	11
12	VDD3	Digital pad ring VDD3 3.3 V	VDD3	12
13	GPC4(DRD4)	GPIO PC4 (SDRAM data 4)	bidir, 3.3 V, 4 mA	13
14	GPC3(DRD3)	GPIO PC3 (SDRAM data 3)	bidir, 3.3 V, 4 mA	14
15	GPC2(DRD2/ SFLASH_MISO)	GPIO PC2 (SDRAM data 2 or serial flash master in/slave out)	bidir, 3.3 V, 4 mA	15
16	GPC1(DRD1/ SFLASH_MOSI)	GPIO PC1 (SDRAM Data 1 or serial flash master out/slave in)	bidir, 3.3 V, 4 mA	16
17	GPC0(DRD0/ SFLASH_SCK)	GPIO PC0 (SDRAM data 0 or serial Flash clock)	bidir, 3.3 V, 4 mA	17
18	PLL_VSS18P	PLL digital & analog ground	VSS	18
19	PLL_VDDA33P	PLL 3.3 analog power supply	VDD	19
20	PLL_XTI	Crystal input	analog in	20
21	PLL_XTO	Crystal output	analog out	21
22	PLL_VDDA18P	PLL 1.8V analog power supply	VDD	22
23	PLL_VDD18P	PLL 1.8V digital power supply	VDD	23
24	FE_VSSA33S	Ground for servo channels	VSS	24
25	FE_A	OPU A input	analog in	25
26	FE_C	OPU C input	analog in	26

Table 2. Pin List (continued)

N°	Name	Description	Pin type	LQFP144
27	FE_B	OPU B input	analog in	27
28	FE_D	OPU D input	analog in	28
29	FE_E	OPU E input	analog in	29
30	FE_F	OPU F input	analog in	30
31	FE_VDDA33S	3.3 V analog for servo channels/ 3.3 V for AFE pad ring (decoupling cap to Vssa)	VDD	31
32	FE_VDDPAD1	3.3V for AFE pad ring	VDD	32
33	FE_ADCIN1	General purpose ADC input 1	analog in	33
34	FE_ADCIN2	General purpose ADC input 2	analog in	34
35	FE_VREF_ADC	General purpose ADC Vtop reference output	analog out	35
36	FE_VREF	External Vref pickup (decoupling cap 1 nF)	analog out	36
37	FE_VDDA33R	Analog 3.3 V for bandgap	VDD	37
38	FE_CEXT	External cap for bandgap (1 nF)	analog	38
39	FE_REXT	External res for bandgap (25 kOhm)	analog	39
40	FE_VSSA33R	Analog ground bandgap	Vss	40
41	FE_MD_LAS	Laser driver input from monitor diode	analog in	41
42	FE_CAP_LAS	Laser driver compensation cap (30 nF)	analog	42
43	FE_LD_LAS	First laser driver output	analog out	43
44	FE_LD1_LAS	Second laser driver output	analog out	44
45	FE_VDDPAD2	3.3 V for AFE pad ring	VDD	45
46	FE_VDDA33T	Analog 3.3 V for test buffer	VDD	46
47	FE_TESTP	Test buffer positive output	analog out	47
48	FE_TESTN	Test buffer negative output	analog out	48
49	FE_VSSA33T	Analog ground test buffer	VSS	49
50	FE_VDDA18AD	Analog 1.8 V ADC	VDD	50
51	FE_VSSA18AD	Analog ground ADC	VSS	51
52	VSS	Core VSS ground	VSS	52
53	RESETN	Hardware reset input (pull-up)	in, schmitt, 3.3 V	53
54	TESTEN	Test enable signal (active low)	in, 3.3V	54
55	FFSR	Focusing actuator control signal output - PDM	Out, 3.3 V, 4 mA	55
56	REFFSR	Clock (50% duty cycle) for actuator PDM reference	Out, 3.3 V, 2 mA	56

Table 2. Pin List (continued)

N°	Name	Description	Pin type	LQFP144
57	SPDL	Spindle motor control signal output - PDM	Out, 3.3 V, 2 mA	57
58	SLED1	SLED motor control signal output1 (stepping/DC) - PDM	Out, 3.3 V, 2 mA	58
59	SLED2	SLED motor control signal output2 (stepping) -PDM	Out, 3.3 V, 2 mA	59
60	VDD	Core VDD 1.8 V	VDD	60
61	VSS	Digital pad ring VSS ground	VSS	61
62	VDD3	Digital pad ring VDD3 3.3 V	VDD3	62
63	TFSR	Tracking actuator control signal output - PDM	Out, 3.3 V, 4 mA	63
64	CAV	CAV feedback input	in, 3.3 V	64
65	LRCK	Serial L/R clock	bidir, 3.3 V, 2 mA	65
66	GPA9	GPA9 (I2S1_Tx_SCK (SCK1))	bidir, 3.3 V, 2 mA, PU (default off)	66
67	GPA10	GPA10 (I2S1_Tx_WCK (SC12))	bidir, 3.3 V, 2 mA, PU (default off)	67
68	GPA11	GPA11 (I2S1_Tx_SDO (STD1))	bidir, 3.3 V, mA, PU (default off)	68
69	GPA12	GPA12 (I2S1_ref_CK)	bidir, 3.3 V, 2 mA, PU (default off)	69
70	SDO/SPDIF	Serial bit data or SPDIF Digital output	bidir, 3.3 V, 2 mA	70
71	BCLK	Serial bit clock	bidir, 3.3 V, 2 mA	71
72	GPA0 (EINT0)	GPIO PA0 (external interrupt 0/timer 0 output 0)	bidir, 3.3 V, 2 mA, PU (default off)	72
-	NC	Not connected		73
-	NC	Not connected		74
-	NC	Not connected		75
73	GPA1 (EINT1)	GPIO PA1 (external interrupt 1/timer 0 output 1)	bidir, 3.3 V, 2 mA, PU (default off)	76
74	GPA2 (EINT2)	GPIO PA2 (external interrupt 2/timer 1 output 0)	bidir, 3.3 V, 2 mA, PU (default off)	77
75	GPA3 (EINT3)	GPIO PA3 (external interrupt 3/timer 1 output 1)	bidir, 3.3 V, 2 mA, PU (default off)	78
76	GPA13	GPIO PA13 (SPDIF Rx)	bidir, 3.3 V, 2 mA, PU (default off)	79
77	GPA4 (EINT4)	GPIO PA4 (external interrupt 4)	bidir, 3.3 V, 2 mA, PU (default off)	80
78	GPA5 (EINT5)	GPIO PA5 (external interrupt 5)	bidir, 3.3 , 2 mA, PU (default off)	81

Table 2. Pin List (continued)

N°	Name	Description	Pin type	LQFP144
79	GPA6 (EINT6)	GPIO PA6 (external interrupt 6)	bidir, 3.3 V, 2 mA, PU (default off)	82
80	GPA7 (EINT7)	GPIO PA7 (external interrupt 7)	bidir, 3.3 V, 2 mA, PU (default off)	83
81	GPA8 (EINT8)	GPIO PA8 (external interrupt 8)	bidir, 3.3 V, 2 mA, PU (default off)	84
82	GPB0/SFLASH_SS (EINT9)	GPIO PB0 or serial Flash slave select (external interrupt 9)	bidir, 3.3 V, 2 mA, PU (default off)	85
83	VSS	Digital pad ring VSS ground	Vss	86
84	VDD3_Core2	Digital pad ring VDD3 3.3 V	VDD3	87
85	GPB1/I2C_CRQ (EINT10)	GPIO PB1 or I2C CRQ line (external interrupt 10)	bidir, 5 V tol, 2 mA(sink)	88
86	GPB2/I2C_SCL (EINT11)	GPIO PB2 or I2C I/F clock (external interrupt 11)	bidir, 5 V tol, 2 mA(sink)	89
87	GPB3/I2C_SDA (EINT12)	GPIO PB3 or I2C I/F data (external interrupt 12)	bidir, 5 V tol, 2 mA(sink)	90
88	GPB4/SCI0TX	GPIO PB4 or serial interface 0 TX or EXTCK_OIF	bidir, 3.3 V, 2mA, PU (default off)	91
89	GPB5/SCI0RX (EINT13)	GPIO PB5 or serial interface 0 RX (external interrupt 13)	bidir, 3.3V, 2mA, PU (default off)	92
90	GPB8/C2PO/USBCK	GPIO PB8 or C2PO (EIAJ CP-340) or USB clock line (48 MHz)	bidir, 3.3V, 2mA, PU (default off)	93
91	VDD	Core VDD 1.8 V	VDD	94
92	GPB6/SCI1TX/USBDM	GPIO PB6 or serial interface 1 TX or USB D- line	bidir, 3.3 V, 2 mA, PU (default off) ⁽¹⁾ USB pad (Full / Low speed)	95
93	GPB7/SCI1RX/USBDP (EINT14)	GPIO PB7 or serial interface 1 RX or USB D+ line (external interrupt 14)	bidir, 3.3 V, 2 mA, PU (default off) ⁽¹⁾ USB pad (Full / Low speed)	96
94	JTDI	JTAG test data input	in, 3.3V	97
95	JTDO	JTAG test data output	out, 3.3 V, 2 mA	98
96	JTMS	JTAG test mode select input	in, 3.3 V	99
97	VDD3	Digital pad ring VDD3 3.3 V	VDD3	100
98	VSS	Digital pad ring VSS ground	Vss	101
99	ADAC_VSSA	Audio DAC ground	VSSDAC	102
100	ADAC_VDDA	Audio DAC supply 3.3 V	VDDDAC	103
101	OUTL	Left channel analog output	analog out	104
102	ADAC_REF2	Audio DAC VLO (GND)	analog in	105

Table 2. Pin List (continued)

N°	Name	Description	Pin type	LQFP144
103	VCM	Common Mode input for audio DAC (1.65 V)	analog in	106
104	ADAC_REF1	Audio DAC VHI (3.3 V)	analog in	107
105	OUTR	Right channel analog output	analog out	108
-	NC	Not Connected		109
106	JTCK	JTAG test clock input	in, 3.3 V	110
107	JTRST	JTAG test reset input	in, schmitt, 3.3 V	111
108	DRBA1	SDRAM bank sel address 1	out, 3.3 V, 4 mA	112
109	DRBA0/CFG4	SDRAM bank sel address 0 and configuration bit 4 (latched at reset)	bidir, 3.3 V, 4 mA	113
110	DRA11/CFG3	SDRAM address 11 and configuration bit 3 (latched at reset)	bidir, 3.3V, 4mA	114
111	DRA10/CFG2	SDRAM Address 10 and configuration bit 2 (latched at reset)	bidir, 3.3 V, 4 mA	115
112	DRA9/CFG1	SDRAM Address 9 and configuration bit 1 (latched at reset)	bidir, 3.3 V, 4 mA	116
113	DRA8/CFG0	SDRAM Address 8 and configuration bit 0 (latched at reset)	bidir, 3.3 V, 4 mA	117
114	DRA7	SDRAM address 7	out, 3.3 V, 4 mA	118
115	DRA6	SDRAM address 6	out, 3.3 V, 4 mA	119
116	DRA5	SDRAM address 5	out, 3.3 V, 4 mA	120
117	VDD	Core VDD 1.8 V	VDD	121
118	VSS	Digital pad ring VSS ground	VSS	122
119	VDD3	Digital pad ring VDD3 3.3 V	VDD3	123
120	DRA4	SDRAM address 4	out, 3.3 V, 4 mA	124
121	DRA3	SDRAM address 3	out, 3.3 V, 4 mA	125
122	DRA2	SDRAM address 2	out, 3.3 V, 4 mA	126
123	DRA1	SDRAM address 1	out, 3.3 V, 4 mA	127
124	DRA0	SDRAM address 0	out, 3.3 V, 4 mA	128
125	DRWR	SDRAM write control	out, 3.3 V, 4 mA	129
126	DRCAS	SDRAM col address sel	out, 3.3 V, 4 mA	130
127	DRRAS	SDRAM row address sel	out, 3.3 V, 4 mA	131
128	DRCLKE	SDRAM CLK enable	out, 3.3 V, 4 mA	132
129	DRCLK	SDRAM CLK	out, 3.3 V, 4 mA	133

Table 2. Pin List (continued)

N°	Name	Description	Pin type	LQFP144
130	VSS	Digital pad ring VSS ground	VSS	134
131	VDD3_Core1	Digital pad ring VDD3 3.3 V	VDD3	135
132	GPC15 (DRD15)	GPIO PC15 (SDRAM Data 15)	bidir, 3.3 V, 4 mA	136
133	GPC14 (DRD14)	GPIO PC14 (SDRAM Data 14)	bidir, 3.3 V, 4 mA	137
134	GPC13 (DRD13)	GPIO PC13 (SDRAM Data 13)	bidir, 3.3 V, 4 mA	138
135	GPC12 (DRD12)	GPIO PC12 (SDRAM Data 12)	bidir, 3.3 V, 4 mA	139
136	GPB9	GPB9 (I2S1_Rx_SCK (SC10))	bidir, 3.3 V, 2 mA, PU (default off)	140
137	GPB10	GPB10 (I2S1_Rx_WCK (SC11))	bidir, 3.3V, 2mA, PU (default off)	141
138	GPB11	GPB11 (I2S1_Rx_SDI (SRD1))	bidir, 3.3 V, 2 mA, PU (default off)	142
139	GPC11 (DRD11)	GPIO PC11 (SDRAM Data 11)	bidir, 3.3 V, 4 mA	143
140	GPC10 (DRD10)	GPIO PC10 (SDRAM Data 10)	bidir, 3.3V , 4 mA	144

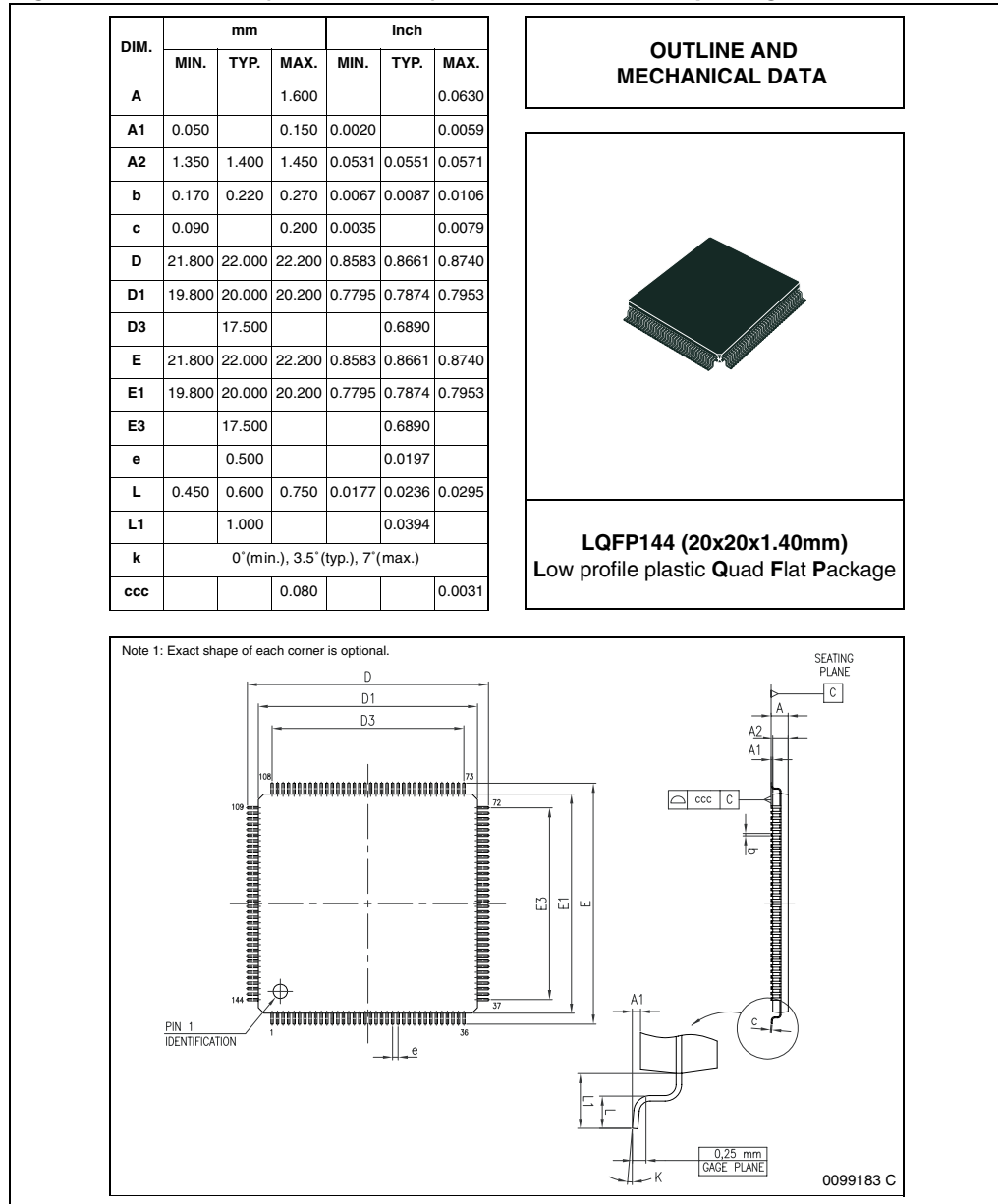
1. The specifications in USB mode are as per USB specifications for low and full speed interface.

4 Package information

In order to meet environmental requirements, ST (also) offers these devices in ECOPACK[®] packages. ECOPACK[®] packages are lead-free. The category of second Level Interconnect is marked on the package and on the inner box label, in compliance with JEDEC Standard JESD97. The maximum ratings related to soldering conditions are also marked on the inner box label.

ECOPACK is an ST trademark. ECOPACK specifications are available at: www.st.com.

Figure 3. LQFP144 (20x20x1.4mm) mechanical data and package dimensions



5 Revision history

Table 3. Document revision history

Date	Revision	Changes
12-Mar-2008	1	Initial release.

Please Read Carefully:

Information in this document is provided solely in connection with ST products. STMicroelectronics NV and its subsidiaries ("ST") reserve the right to make changes, corrections, modifications or improvements, to this document, and the products and services described herein at any time, without notice.

All ST products are sold pursuant to ST's terms and conditions of sale.

Purchasers are solely responsible for the choice, selection and use of the ST products and services described herein, and ST assumes no liability whatsoever relating to the choice, selection or use of the ST products and services described herein.

No license, express or implied, by estoppel or otherwise, to any intellectual property rights is granted under this document. If any part of this document refers to any third party products or services it shall not be deemed a license grant by ST for the use of such third party products or services, or any intellectual property contained therein or considered as a warranty covering the use in any manner whatsoever of such third party products or services or any intellectual property contained therein.

UNLESS OTHERWISE SET FORTH IN ST'S TERMS AND CONDITIONS OF SALE ST DISCLAIMS ANY EXPRESS OR IMPLIED WARRANTY WITH RESPECT TO THE USE AND/OR SALE OF ST PRODUCTS INCLUDING WITHOUT LIMITATION IMPLIED WARRANTIES OF MERCHANTABILITY, FITNESS FOR A PARTICULAR PURPOSE (AND THEIR EQUIVALENTS UNDER THE LAWS OF ANY JURISDICTION), OR INFRINGEMENT OF ANY PATENT, COPYRIGHT OR OTHER INTELLECTUAL PROPERTY RIGHT.

UNLESS EXPRESSLY APPROVED IN WRITING BY AN AUTHORIZED ST REPRESENTATIVE, ST PRODUCTS ARE NOT RECOMMENDED, AUTHORIZED OR WARRANTED FOR USE IN MILITARY, AIR CRAFT, SPACE, LIFE SAVING, OR LIFE SUSTAINING APPLICATIONS, NOR IN PRODUCTS OR SYSTEMS WHERE FAILURE OR MALFUNCTION MAY RESULT IN PERSONAL INJURY, DEATH, OR SEVERE PROPERTY OR ENVIRONMENTAL DAMAGE. ST PRODUCTS WHICH ARE NOT SPECIFIED AS "AUTOMOTIVE GRADE" MAY ONLY BE USED IN AUTOMOTIVE APPLICATIONS AT USER'S OWN RISK.

Resale of ST products with provisions different from the statements and/or technical features set forth in this document shall immediately void any warranty granted by ST for the ST product or service described herein and shall not create or extend in any manner whatsoever, any liability of ST.

ST and the ST logo are trademarks or registered trademarks of ST in various countries.

Information in this document supersedes and replaces all information previously supplied.

The ST logo is a registered trademark of STMicroelectronics. All other names are the property of their respective owners.

© 2008 STMicroelectronics - All rights reserved

STMicroelectronics group of companies

Australia - Belgium - Brazil - Canada - China - Czech Republic - Finland - France - Germany - Hong Kong - India - Israel - Italy - Japan - Malaysia - Malta - Morocco - Singapore - Spain - Sweden - Switzerland - United Kingdom - United States of America

www.st.com