

**PRODUCT BRIEF:**

Logic PD :: Texas Instruments  
www.logicpd.com/ti

## OMAP35x SOM-LV System on Module

**:: SUPPORTED PROCESSORS:**

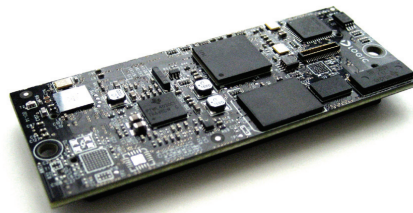
OMAP3530  
OMAP3503

**The OMAP35x System on Module (SOM) is a compact, product-ready hardware and software solution that fast forwards embedded designs.**

Based on Texas Instruments' OMAP™ 3 processor family and designed in the SOM-LV Type III form factor, the OMAP35x module offers essential features for handheld and embedded networking applications. The OMAP35x SOM-LV features the superset OMAP3530 processor, but also supports the OMAP3503 processor.

The SOM-LV is an off-the-shelf solution that reduces development risks associated with the complex design and manufacturing details of the OMAP 3 processor. The standard SOM-LV form factor allows developers to reuse existing baseboard designs when upgrading to new OMAP processors, which extends roadmap possibilities for their end-product.

By starting with the corresponding Zoom™ OMAP35x Development Kit, engineers can write application software on the same hardware that will be used in the final product.



OMAP35x SOM-LV

The OMAP35x SOM-LV is ideal for applications in the medical, point-of-sale, industrial, and security markets. From patient monitoring and medical imaging, to card payment terminals and bar code readers, to CCTV cameras and intruder alarms, the OMAP35x SOM-LV allows for powerful versatility and long-life products.

**OMAP35x SOM-LV :: HIGHLIGHTS:**

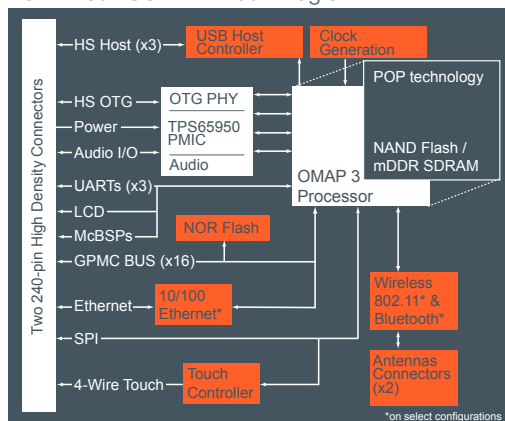
- +Product-ready System on Module with a TI OMAP 3 processor running up to 600 MHz
- +Compact form factor—SOM-LV Type III (31.2 x 76.5 x 7.4 mm)
- +Long product lifecycle
- +Microsoft Windows® Embedded CE 6.0 Board Support Packages (BSPs)
- +Open source Linux™ BSP
- +Commercial temp (0°C to 70°C)  
Extended temp (-20°C to 70°C)  
Industrial temp (-40°C to 85°C)
- +RoHS compliant

**ZOOM DEVELOPMENT KIT :: FEATURES:**

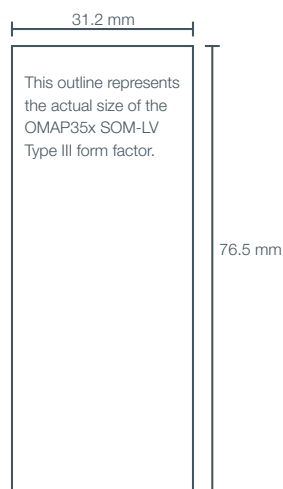
- +Application baseboard
- +OMAP35x SOM-LV
- +4.3" WQVGA LCD with 4-wire touchscreen
- +Necessary accessories to immediately get up and running
- +See Zoom OMAP35x Development Kit product brief for more information



## OMAP35x SOM-LV Block Diagram



(Block diagram is not drawn to scale. For reference purposes only.)



## Product Features

### Processor

+TI OMAP 3 processor running up to 600 MHz

### Memory

+Mobile DDR / NAND flash (PoP technology)  
128 MB / 256 MB (standard)  
256 MB / 512 MB (standard for I-Temp)

### Display

+Programmable color LCD controller supports up to a 24 bpp TFT interface  
+Hardware supports XGA 1024x768 at 24-bit color

### Touchscreen

+Integrated 4-wire touchscreen controller (TSC2004)

### Network Support

+10/100 Base-T Ethernet controller  
+802.11b/g wireless Ethernet  
+Bluetooth 2.0 + EDR

### Audio

+I2S compliant audio codec (16-bit stereo DAC, 13-bit ADC)

### PC Card Expansion

+CompactFlash Type I card (memory-mode only)  
+MMC/SD card support

### USB

+One USB 2.0 high-speed host interface  
+One USB 2.0 high-speed On-the-Go interface

### Serial Ports

+Three external UARTs

### GPIO

+Programmable I/O depending on peripheral requirements

### Software

+LogicLoader™ (bootloader/monitor)  
+Windows® Embedded CE 6.0 BSP  
+Open source Linux™ BSP

### Mechanical

+SOM-LV Type III form factor  
+31.2 mm wide x 76.5 mm long x 7.4 mm high

### RoHS Compliant

## OMAP35x SOM-LV Ordering Information

Model Number	mDDR (MB)	NAND Flash (MB)	NOR Flash (MB)	Wired Ethernet	802.11b/g Ethernet	Bluetooth	Temp. (°C)
SOMOMAP3503-11-1670HFCR	128	256	0	Y	N	N	0°–70°
SOMOMAP3503-11-1672IFCR	128	256	8	Y	Y	Y	0°–70°
SOMOMAP3530-11-1670EFCR	128	256	0	N	N	N	0°–70°
SOMOMAP3530-11-1672IFCR	128	256	8	Y	Y	Y	0°–70°
SOMOMAP3530-11-1672IFXR	128	256	8	Y	Y	Y	-20°–70°
SOMOMAP3530-11-1782JFIR	256	512	8	Y	N	Y	-40°–85°

NOTE: Custom configurations are available by special order. Please contact Logic PD Sales for details: [product.sales@logicpd.com](mailto:product.sales@logicpd.com).

## Zoom™ OMAP35x Development Kit Ordering Information

Model Number	SOM-LV Configuration
TMDSMEVM3530-L	SOMOMAP3530-11-1672IFCR

NOTE: Zoom OMAP35x Development Kits are available through Logic PD and Texas Instruments distributors.



411 N. Washington Ave. Suite 400 Minneapolis, MN 55401  
T: 612.672.9495 F: 612.672.9489 I: [www.logicpd.com](http://www.logicpd.com)



+For more information contact Logic PD Sales: [product.sales@logicpd.com](mailto:product.sales@logicpd.com)  
© 2010 Logic Product Development Company. All rights reserved. PN: 1009584 Rev I