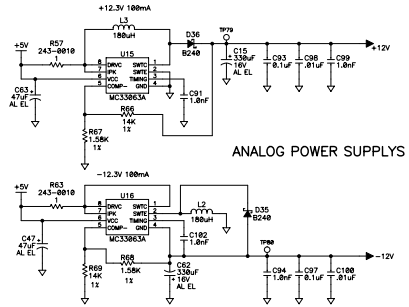
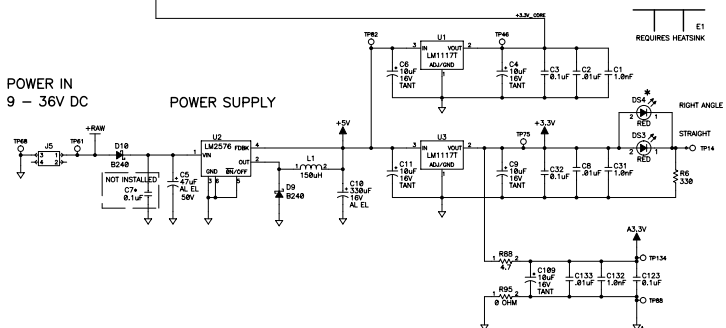
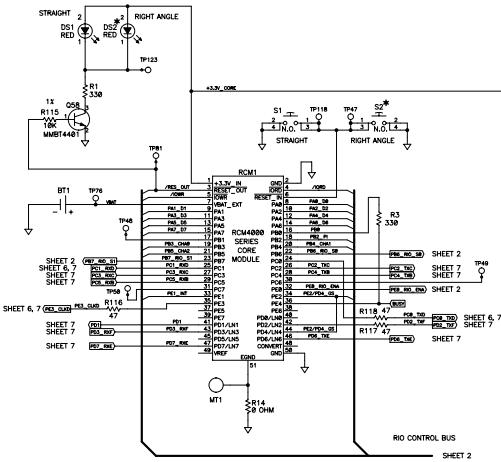


REVISION HISTORY			REVISION APPROVAL			
REV	ECO	DESCRIPTION OF CHANGE	PROJECT ENGINEER	APPROVAL DATE	DOCUMENT CONTROL	APPROVAL DATE
A		INITIAL RELEASE				
B	E15530	REPOSITIONED CAPS TO MATCH PCB	MMK			
C	15683	ADDED TEST POINTS FOR MFG	MMK			
D	000157	ADDED DIODES FOR PROTECTION	MMK			
E	000387	ADDED NOMENCLATURE TO MATCH SAMPLE PROGRAMS	MMK	7/16/08		
F	000404	CHANGED FILTER CAPS AND FEEDBACK RES ON U18	MMK	7/23/08		
G	001379	REMOVED C7 FROM BOM, MARKED AS NOT INSTALLED	XT	7/31/09		



PRODUCT	MODEL #	FEATURES	MORE INFORMATION
BL4S200 SERIES RABBIT SBC	BL4S200	E-NET + SD CARD USING RCM4318	INDIVIDUAL RCM CORE
	BL4S210	10BASE-T USING RCM4018	SCHMATICS CAN BE FOUND AT WWW.RABBIT.COM
	BL5S220	802.11B/G USING RCM5400W	
	BL4S230	ZB USING RCM4510	

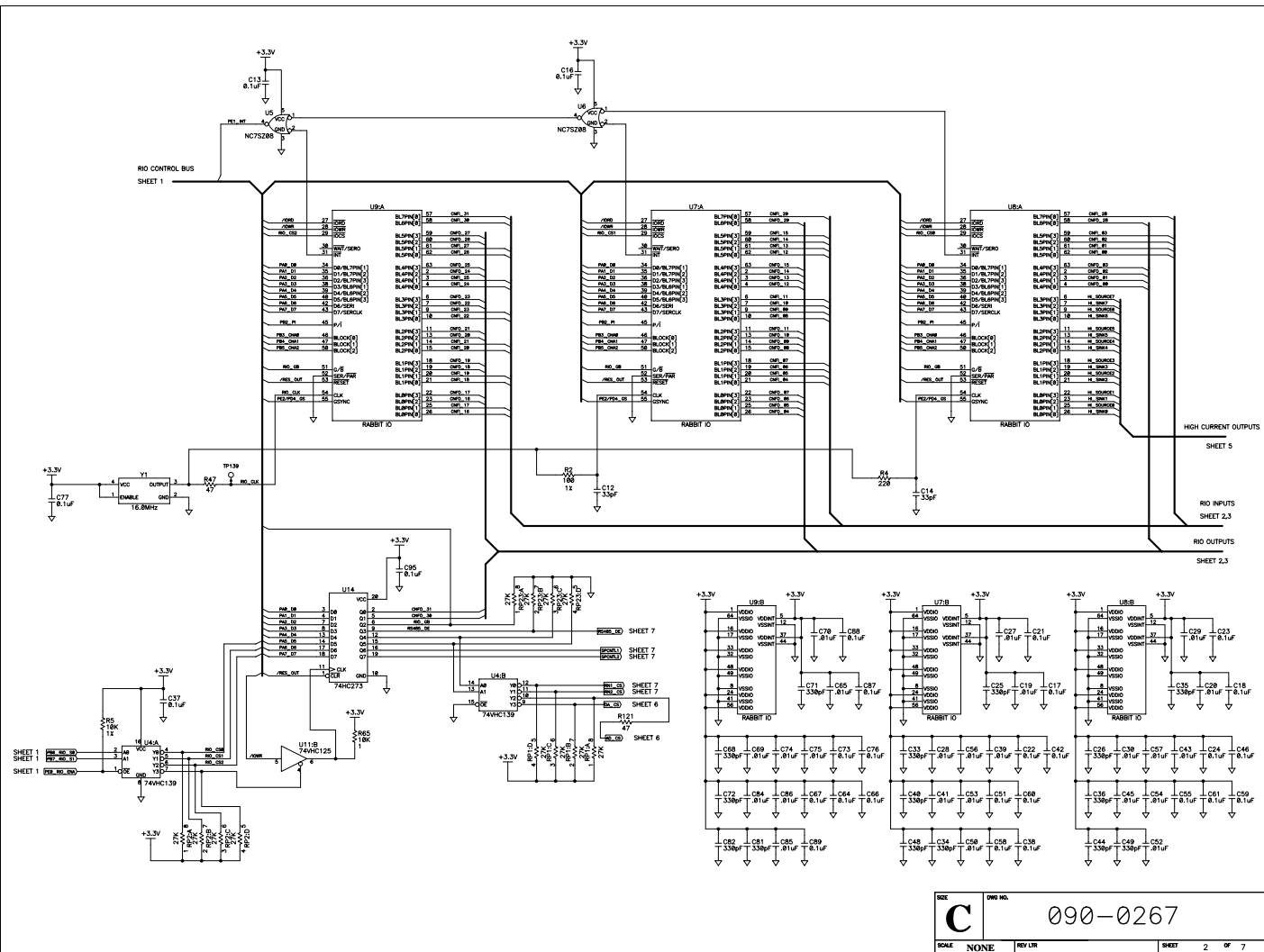
- NOTES: UNLESS OTHERWISE SPECIFIED:
- ALL RESISTOR VALUES ARE IN OHMS, 1/16W, 5% UNLESS LABELED 1X
 - THE ORIGINATOR SOURCE OF A VOLTAGE IS REPRESENTED BY (VCC), AND ALL REFERENCES TO THAT VOLTAGE ARE REPRESENTED BY (VCC).
 - COMPONENT VALUES SHOWN WITH AN ASTERISK (*) FOLLOWING THE VALUE OR DASHED BOX, MAY HAVE DIFFERENT VALUES, OR MAY NOT BE STUFFED.

APPEND THE FOLLOWING DOCUMENTS WHEN CHANGING THIS DOCUMENT:	DRAWING CONTENT:	TITLE	DATE
	DRAWN BY: (INITIAL RELEASE) M. Knobloch	SCHEMATIC DIAGRAM BLXS2XX	11/9/07
	REVISED BY: X TRUONG		7/31/09
	APPROVALS: INITIAL RELEASE		
	PROJECT ENGINEER: M. Knobloch	05/19/08	
	ENGINEERING MANAGER: X. Truong	05/19/08	
	SIGNATURES	DATE	SCALE NONE
			RELEASE DATE
			SHEET 1 OF 7



www.rabbit.com

C 090-0267

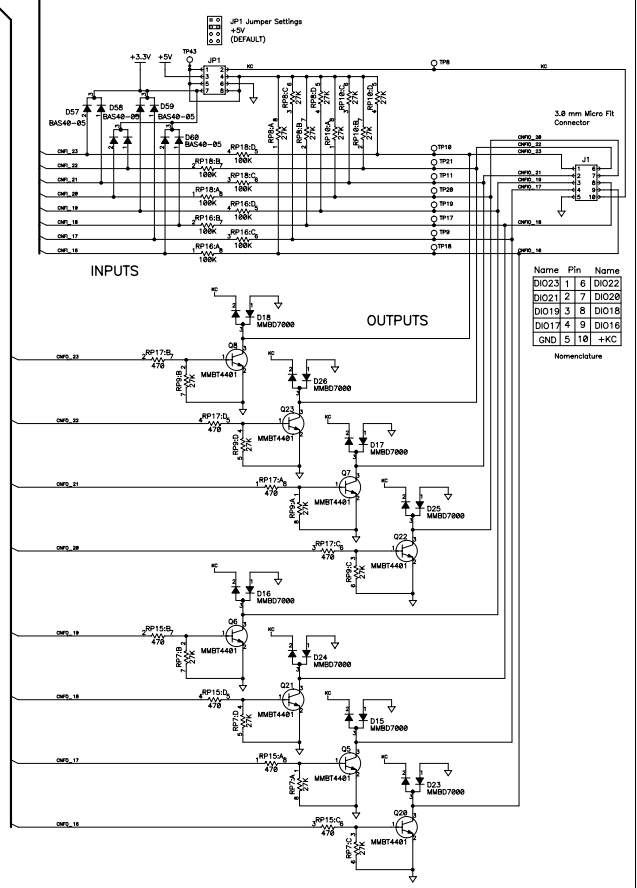
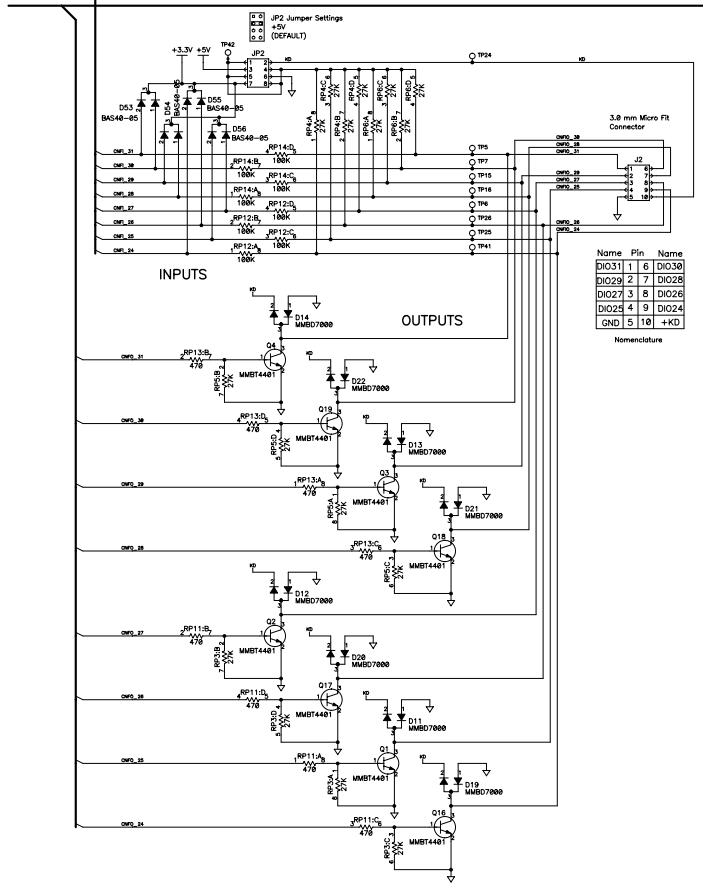


C	REV. NO.	090-0267	
	SCALE	NONE	REV. LTR
		SHEET	2 OF 7

RIO INPUTS

RIO OUTPUTS

CONFIGURABLE I/O



Name	Pin	Name
DI031	1	DI030
DI029	2	DI028
DI027	3	DI026
DI024	4	DI024
GND	5	+KD

Nomenclature

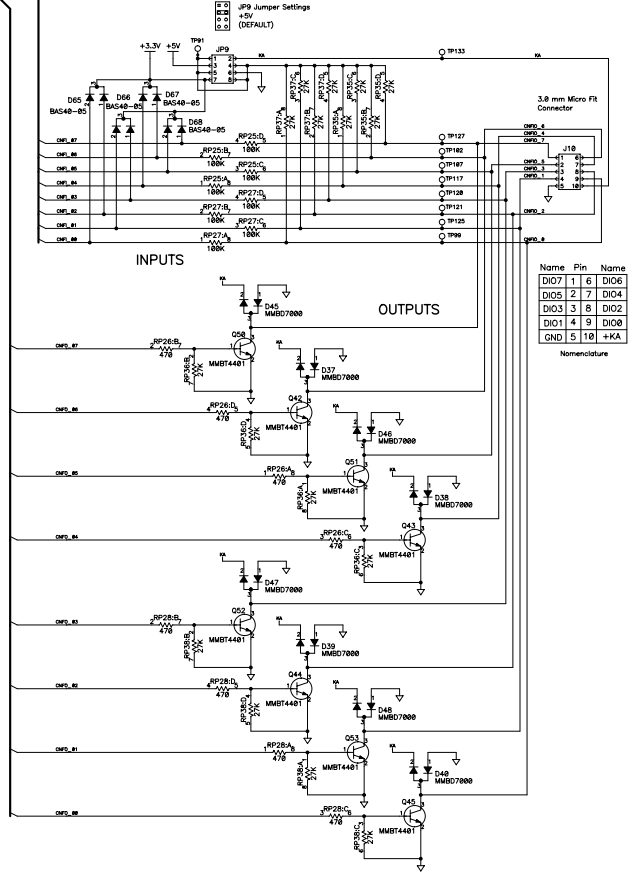
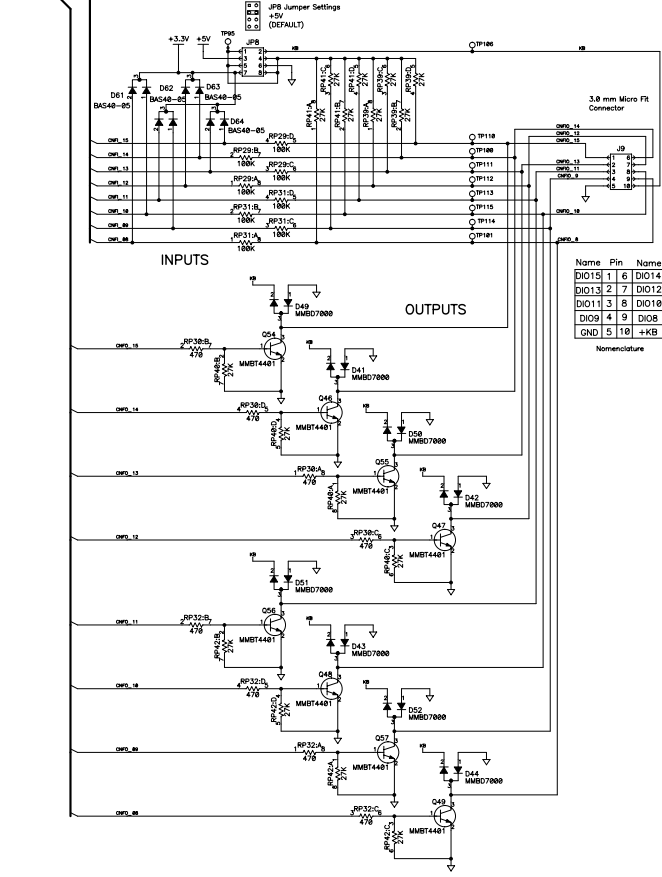
Name	Pin	Name
DI023	1	DI022
DI021	2	DI020
DI018	3	DI018
DI017	4	DI016
GND	5	+KC

Nomenclature

C	QW NO.	090-0267
	SCALE	NONE
REV	LTR	
SHEET	3	OF 7

SHEET 2
RIO INPUTS
RIO OUTPUTS

CONFIGURABLE I/O



Name	Pin	Name
DIO15	1	DIO14
DIO13	2	DIO12
DIO11	3	DIO10
DIO9	4	DIO8
GND	5	+KB

Nomenclature

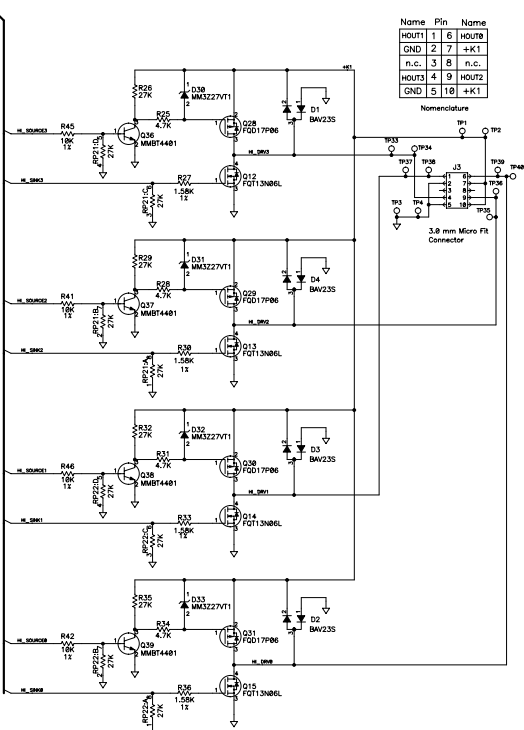
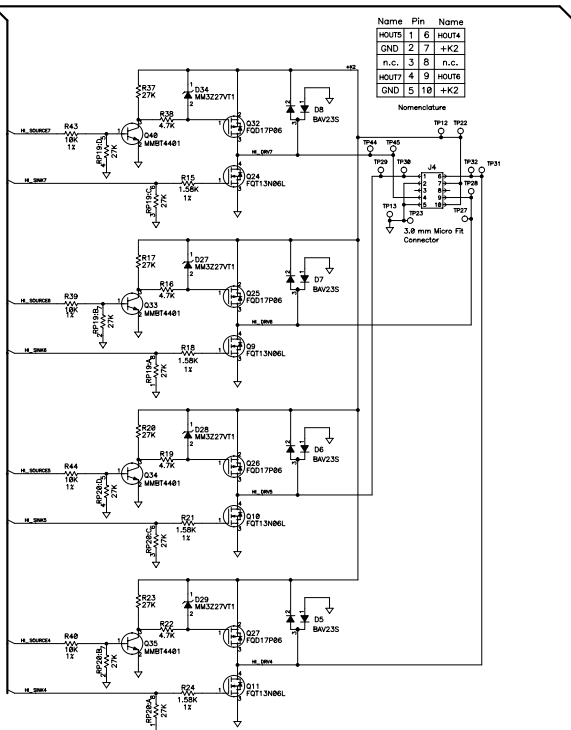
Name	Pin	Name
DIO7	1	DIO6
DIO5	2	DIO4
DIO3	3	DIO2
DIO1	4	DIO0
GND	5	+KA

Nomenclature

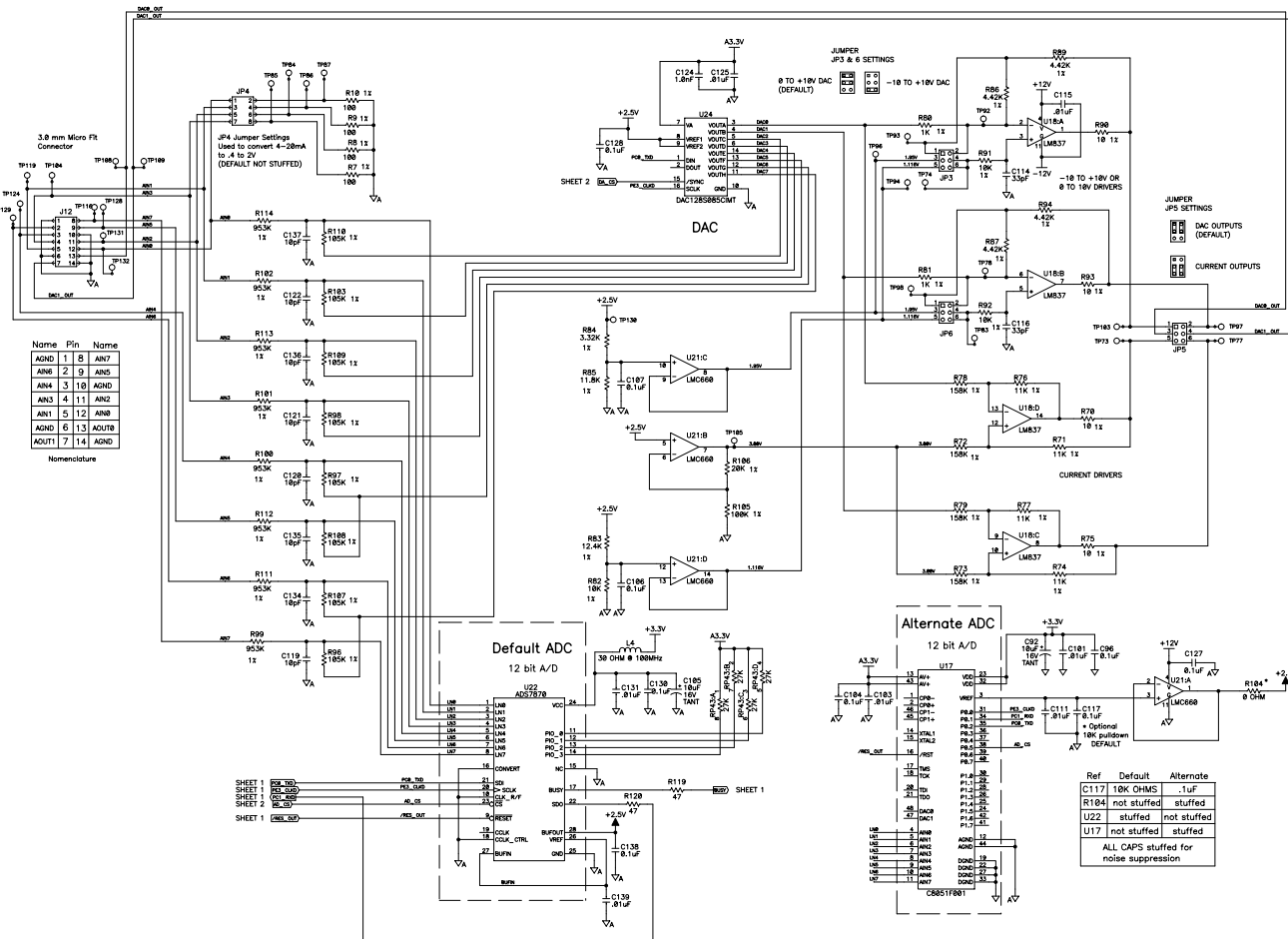
C	090-0267
	REV LTR
SCALE NONE	SHEET 4 OF 7

HIGH CURRENT OUTPUTS

SHEET 2



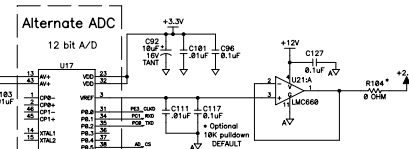
C	DWG NO.	090-0267	
	SCALE	NONE	REV LTR
		SHEET	5 OF 7



Name	Pin	Name
AGND	1	AN1
AGND	2	AN2
AN4	3	AGND
AN3	4	AN1
AN1	5	AN8
AGND	6	ADUT8
ADUT1	7	AGND

Nomenclature

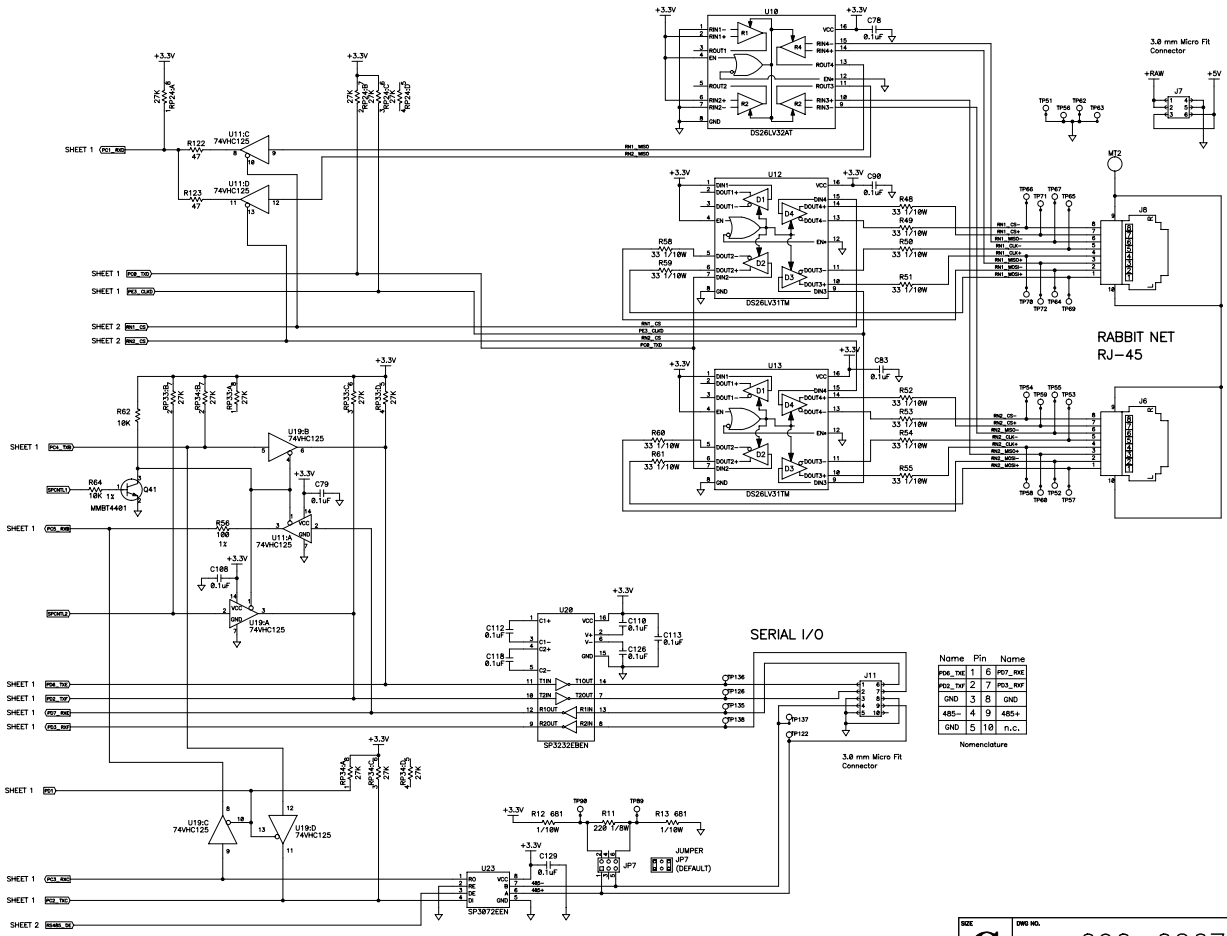
SHEET	REV	DESCRIPTION	DATE
SHEET 1	REV 001	NEW PCB	08/11/11
SHEET 1	REV 002	REL 001	08/11/11
SHEET 1	REV 003	REL 002	08/11/11
SHEET 1	REV 004	REL 003	08/11/11



Ref	Default	Alternate
C117	18K OHMS	.1uF
R104	not stuffed	stuffed
U22	stuffed	not stuffed
U17	not stuffed	stuffed

ALL CAPS stuffed for noise suppression

C	REV 001	090-0267
	SCALE NONE	
REV 001		SHEET 6 OF 7



Name	Pin	Name
Pin_1	1	Pin_1
Pin_2	2	Pin_2
GND	3	GND
485+	4	485+
GND	5	n.c.

C DWG NO. **090-0267**
 SCALE NONE REV LTR SHEET 7 OF 7