

MSC8101

Networking Digital Signal Processor

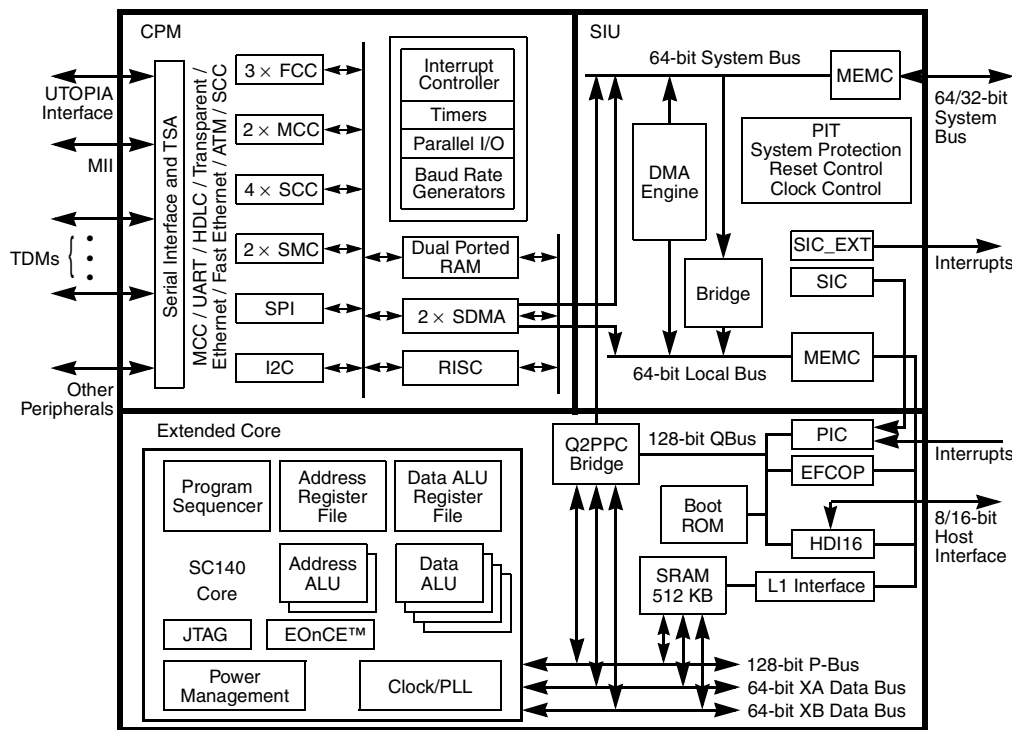


Figure 1. MSC8101 Block Diagram

The Freescale MSC8101 16-bit Digital Signal Processor is the first member of the family of DSPs based on the StarCore™ SC140 DSP core.

The Freescale MSC8101 DSP is a very versatile device that integrates the high-performance SC140 four-ALU (arithmetic logic unit) DSP core along with 512 KB of on-chip memory, a communications processor module (CPM), a 64-bit bus, a very flexible system integration unit (SIU), and a 16-channel DMA controller on a single device. With its four-ALU core, the MSC8101 can execute up to four multiply-accumulate (MAC) operations in a single clock cycle. The MSC8101 CPM is a 32-bit RISC-based communications protocol engine that can network to time-division multiplexed (TDM) highways, Ethernet, and asynchronous transfer mode (ATM) backbones. The MSC8101 60x-compatible bus interface connects to multi-master system architectures. The large on-chip memory, 512 KB, reduces the need for off-chip program and data memories. The MSC8101 offers 1500 DSP MMACS (1200 core and 300 EFCOP) performance using an internal 300 MHz clock with a 1.6 V core and independent 3.3 V input/output (I/O).

Features

- SC140 core
 - Architecture optimized for efficient C/C++ code compilation
 - Four 16-bit ALUs and two 32-bit AGUs
 - 1200 DSP MIPS, 1200 MMACS, 3000 RISC MIPS, running at 300 MHz
 - Very low power dissipation—less than 0.25 W for the core running full speed at 1.6 V
 - Variable-length execution set (VLES) execution model
 - JTAG/enhanced OnCE debug port
- 150 MHz communications processor module (CPM)
 - Programmable protocol machine using a 32-bit RISC engine
 - 155 Mbps ATM interface (including AAL 0/1/2/5)
 - 10/100 Mbit Ethernet interface
 - Up to four E1/T1 interfaces or one E3/T3 interface and one E1/T1 interface
 - HDLC support up to T3 rates, or 256 channels
- 100 MHz 64- or 32-bit wide bus interface
 - Bursts for high efficiency
 - Glueless interface to 60x-compatible bus systems
 - Multi-master support
- Enhanced filter coprocessor (EFCOP)
 - Independently and concurrently executes long filters (such as echo cancellation)
 - Runs at 250/275/300 MHz and provides 250/275/300 MMACS performance
- Programmable memory controller
 - Control for up to eight banks of external memory
 - User-programmable machines (UPM) allowing glueless interface to various memory types (SRAM, DRAM, EPROM, and Flash memory) and other user-definable peripherals
 - Dedicated pipelined SDRAM memory interface
- Large on-chip SRAM
 - 256K 16-bit words (512 KB)
 - Unified program and data space configurable by the application
 - Word and byte addressable
- DMA controller
 - 16 DMA channels, FIFO based, with burst capabilities
 - Sophisticated addressing capabilities
- Small footprint package: 17 mm × 17 mm lidded FC-PBGA package with lead-bearing or lead-free spheres
- Very low power consumption: separate power supply for internal logic (1.6 V) and for I/O (3.3 V)
- Enhanced 16-bit parallel host interface (HDI16) that supports a variety of microcontroller, microprocessor, and DSP bus interfaces
- Phase-lock loops (PLLs)
 - System PLL
 - CPM DPLLs (SCC and SCM)
- Process technology: 0.13 micron copper interconnect

Target Applications

The MSC8101 targets applications requiring very high performance, very large amounts of on-chip memory, and such networking capabilities as:

- Third-generation wideband wireless infrastructure systems
- Packet telephony systems
- Multi-channel modem banks
- Multi-channel xDSL

Product Documentation

The documents listed in **Table 1** are required for a complete description of the MSC8101 and are necessary to design properly with the part. Documentation is available from the following sources (see back cover for details):

- A local Freescale distributor
- A Freescale Semiconductor sales office
- A Freescale Literature Distribution Center
- The World Wide Web (WWW)

Table 1. MSC8101 Documentation

Name	Description	Order Number
<i>MSC8101 Technical Data</i>	MSC8101 features list and physical, electrical, timing, and package specifications	MSC8101/D
<i>MSC8101 User's Guide</i>	Detailed functional description of the MSC8101 memory configuration, operation, and register programming	MSC8101UG/D
<i>MSC8101 Pocket Guide</i>	Quick reference information for application development.	MSC8101PG/D
<i>MSC8101 Reference Manual</i>	Detailed description of the MSC8101 processor core and instruction set	MSC8101RM/D
<i>SC140 DSP Core Reference Manual</i>	Detailed description of the SC140 family processor core and instruction set	MNSC140CORE/D
Application Notes	Documents describing specific applications or optimized device operation including code examples	See the MSC8101 product website

How to Reach Us:

Home Page:

www.freescale.com

E-mail:

support@freescale.com

USA/Europe or Locations not listed:

Freescale Semiconductor
Technical Information Center, CH370
1300 N. Alma School Road
Chandler, Arizona 85224
+1-800-521-6274 or +1-480-768-2130
support@freescale.com

Europe, Middle East, and Africa:

Freescale Halbleiter Deutschland GMBH
Technical Information Center
Schatzbogen 7
81829 München, Germany
+44 1296 380 456 (English)
+46 8 52200080 (English)
+49 89 92103 559 (German)
+33 1 69 35 48 48 (French)
support@freescale.com

Japan:

Freescale Semiconductor Japan Ltd.
Headquarters
ARCO Tower 15F
1-8-1, Shimo-Meguro, Meguro-ku,
Tokyo 153-0064, Japan
0120 191014 or +81 3 5437 9125
support.japan@freescale.com

Asia/Pacific:

Freescale Semiconductor Hong Kong Ltd.
Technical Information Center
2 Dai King Street
Tai Po Industrial Estate
Tai Po, N.T. Hong Kong
+800 2666 8080
support.asia@freescale.com

For Literature Requests Only:

Freescale Semiconductor Literature Distribution Center
P.O. Box 5405
Denver, Colorado 80217
1-800-441-2447 or 303-675-2140
Fax: 303-675-2150
LDCForFreescaleSemiconductor@hibbertgroup.com

Information in this document is provided solely to enable system and software implementers to use Freescale Semiconductor products. There are no express or implied copyright licenses granted hereunder to design or fabricate any integrated circuits or integrated circuits based on the information in this document.

Freescale Semiconductor reserves the right to make changes without further notice to any products herein. Freescale Semiconductor makes no warranty, representation or guarantee regarding the suitability of its products for any particular purpose, nor does Freescale Semiconductor assume any liability arising out of the application or use of any product or circuit, and specifically disclaims any and all liability, including without limitation consequential or incidental damages. "Typical" parameters which may be provided in Freescale Semiconductor data sheets and/or specifications can and do vary in different applications and actual performance may vary over time. All operating parameters, including "Typicals" must be validated for each customer application by customer's technical experts. Freescale Semiconductor does not convey any license under its patent rights nor the rights of others. Freescale Semiconductor products are not designed, intended, or authorized for use as components in systems intended for surgical implant into the body, or other applications intended to support or sustain life, or for any other application in which the failure of the Freescale Semiconductor product could create a situation where personal injury or death may occur. Should Buyer purchase or use Freescale Semiconductor products for any such unintended or unauthorized application, Buyer shall indemnify and hold Freescale Semiconductor and its officers, employees, subsidiaries, affiliates, and distributors harmless against all claims, costs, damages, and expenses, and reasonable attorney fees arising out of, directly or indirectly, any claim of personal injury or death associated with such unintended or unauthorized use, even if such claim alleges that Freescale Semiconductor was negligent regarding the design or manufacture of the part.

Freescale™, the Freescale logo, and CodeWarrior are trademarks of Freescale Semiconductor, Inc. StarCore is a trademark of StarCore LLC. All other product or service names are the property of their respective owners.

© Freescale Semiconductor, Inc. 2004, 2005.