

DSP56301

24-Bit Digital Signal Processor

The DSP56301 is a member of the DSP56300 core family of programmable CMOS DSPs. This family uses a high-performance, single clock cycle per instruction engine. Significant architectural features of the DSP56300 core family include a barrel shifter, 24-bit addressing, instruction cache, and DMA. The DSP56301 performs at 66/80/100 MIPS using an internal 66/80/100 MHz clock at 3.0–3.6 volts. The DSP56300 core family offers a rich instruction set and low power dissipation, as well as increasing levels of speed and power, enabling wireless, telecommunications, and multimedia products.

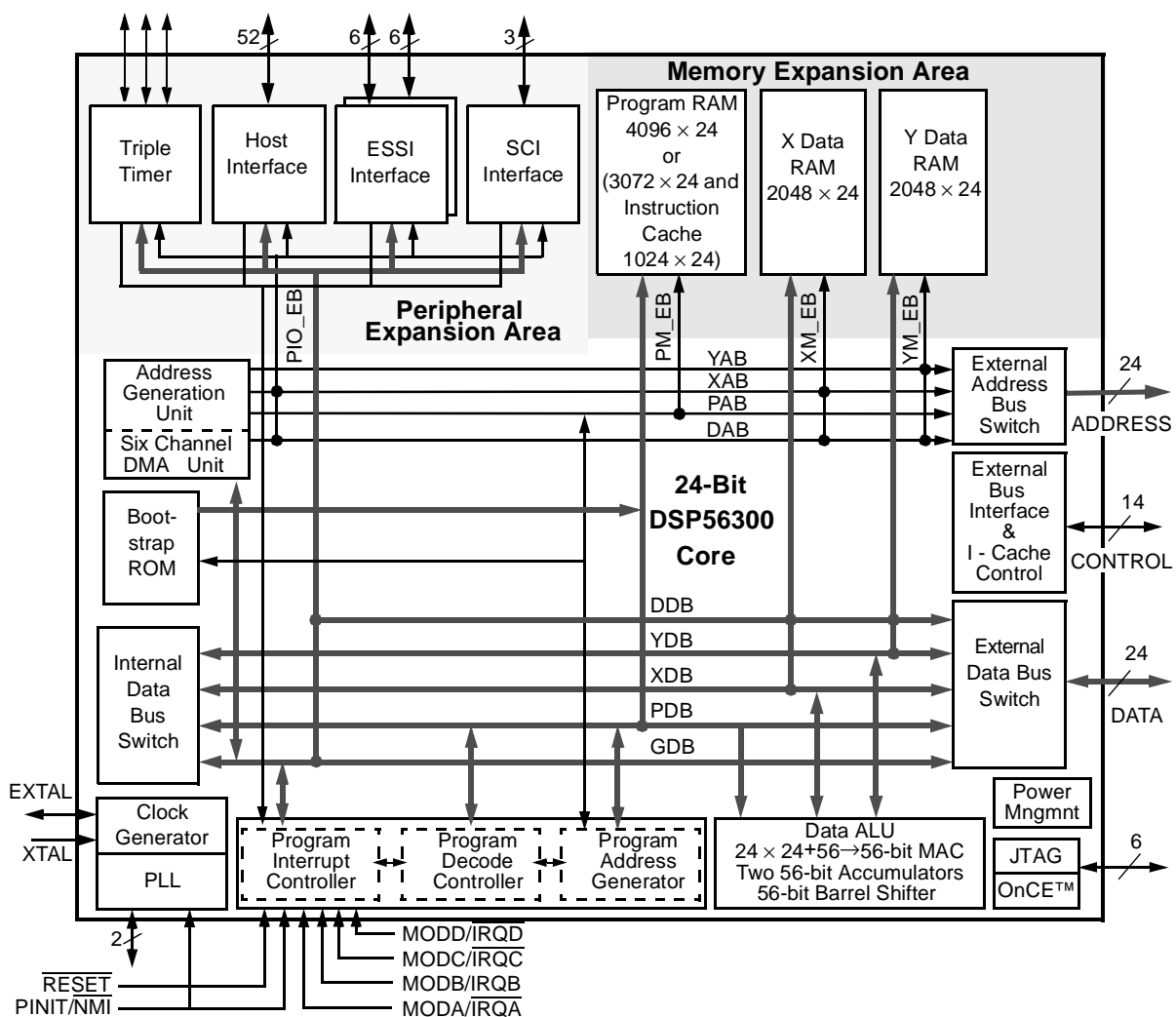


Figure 1. DSP56301 Block Diagram

DSP56301 Features

- High-performance DSP56300 core
 - 66/80/100 Million Instructions Per Second (MIPS) with a 66/80/100 MHz clock at 3.3 V
 - Object code compatible with the DSP56000 core
 - Highly parallel instruction set
 - Fully pipelined 24 x 24-bit parallel multiplier-accumulator
 - 56-bit parallel barrel shifter
 - 24-bit or 16-bit arithmetic support under software control
 - Position independent code support
 - Addressing modes optimized for DSP applications
 - On-chip instruction cache controller
 - On-chip memory-expandable hardware stack
 - Nested hardware DO loops
 - Fast auto-return interrupts
 - On-chip concurrent six-channel DMA controller
 - On-chip Phase Lock Loop (PLL) and clock generator
 - On-Chip Emulation (OnCE™) module
 - Joint Action Test Group (JTAG) Test Access Port (TAP)
 - Address tracing mode that reflects internal accesses at the external port

- On-chip memories

- Program RAM, Instruction Cache, X data RAM, and Y data RAM size are programmable:

Instruction Cache	Switch Mode	Program RAM Size	Instruction Cache Size	X Data RAM Size	Y Data Ram Size
disabled	disabled	4096 × 24-bit	0	2048 × 24-bit	2048 × 24-bit
enabled	disabled	3072 × 24-bit	1024 × 24-bit	2048 × 24-bit	2048 × 24-bit
disabled	enabled	2048 × 24-bit	0	3072 × 24-bit	3072 × 24-bit
enabled	enabled	1024 × 24-bit	1024 × 24-bit	3072 × 24-bit	3072 × 24-bit

- 192 × 24-bit bootstrap ROM
- Off-chip memory expansion
 - Data memory expansion to two 16 M x 24-bit word memory spaces
 - Program memory expansion to one 16 M x 24-bit word memory space
 - External memory expansion port
 - Chip Select Logic requiring no additional circuitry to interface to SRAMs and SSRAMs
 - On-chip DRAM controller that requires no additional circuitry to interface to DRAMs
- On-chip peripherals
 - 32-bit parallel PCI/Universal Host Interface (HI32), PCI Rev. 2.1 compliant with no additional interface logic required for other DSP563xx buses
 - ISA interface requires only 74LS45-style buffer
 - Two Enhanced Synchronous Serial Interfaces (ESSI)
 - Serial Communications Interface (SCI) with baud rate generator
 - Triple timer module
 - Up to 42 programmable General Purpose I/O pins (GPIO), depending on which peripherals are enabled
- Reduced power dissipation
 - Very low power CMOS design
 - Wait and Stop low power standby modes
 - Fully-static logic, operation frequency down to 0 Hz (DC)
 - Optimized power management circuitry

Target Applications

The DSP56301 is intended as for general-purpose digital signal processing, particularly in multimedia and telecommunication applications, such as videoconferencing and cellular telephony.

Product Documentation

The documents listed in **Table 1** are required for a complete description of the DSP56301 and are necessary to design with the part properly. Documentation is available from a local Freescale distributor, a Freescale semiconductor sales office, a Freescale Literature Distribution Center, or the Freescale web site listed on the back cover of this document.

Table 1. DSP56301 Documentation

Topic	Description	Order Number
DSP56300 Family Manual	Detailed description of the DSP56300 family architecture and the 24-bit core processor and instruction set	DSP56300FM
DSP56301 User's Manual	Detailed description of DSP56301 memory, peripherals, and interfaces	DSP56301UM
DSP56301 Technical Data	DSP56301 pin and package descriptions; electrical and timing specifications	DSP56301

How to Reach Us:

Home Page:

www.freescale.com

E-mail:

support@freescale.com

USA/Europe or Locations not listed:

Freescale Semiconductor
Technical Information Center, CH370
1300 N. Alma School Road
Chandler, Arizona 85224
+1-800-521-6274 or +1-480-768-2130
support@freescale.com

Europe, Middle East, and Africa:

Freescale Halbleiter Deutschland GMBH
Technical Information Center
Schatzbogen 7
81829 München, Germany
+44 1296 380 456 (English)
+46 8 52200080 (English)
+49 89 92103 559 (German)
+33 1 69 35 48 48 (French)
support@freescale.com

Japan:

Freescale Semiconductor Japan Ltd.
Headquarters
ARCO Tower 15F
1-8-1, Shimo-Meguro, Meguro-ku,
Tokyo 153-0064, Japan
0120 191014 or +81 3 5437 9125
support.japan@freescale.com

Asia/Pacific:

Freescale Semiconductor Hong Kong Ltd.
Technical Information Center
2 Dai King Street
Tai Po Industrial Estate
Tai Po, N.T. Hong Kong
+800 2666 8080
support.asia@freescale.com

For Literature Requests Only:

Freescale Semiconductor Literature Distribution Center
P.O. Box 5405
Denver, Colorado 80217
1-800-441-2447 or 303-675-2140
Fax: 303-675-2150
LDCForFreescaleSemiconductor@hibbertgroup.com

DSP56301PB
Rev. 2
2/2005

Information in this document is provided solely to enable system and software implementers to use Freescale Semiconductor products. There are no express or implied copyright licenses granted hereunder to design or fabricate any integrated circuits or integrated circuits based on the information in this document.

Freescale Semiconductor reserves the right to make changes without further notice to any products herein. Freescale Semiconductor makes no warranty, representation or guarantee regarding the suitability of its products for any particular purpose, nor does Freescale Semiconductor assume any liability arising out of the application or use of any product or circuit, and specifically disclaims any and all liability, including without limitation consequential or incidental damages. "Typical" parameters which may be provided in Freescale Semiconductor data sheets and/or specifications can and do vary in different applications and actual performance may vary over time. All operating parameters, including "Typicals" must be validated for each customer application by customer's technical experts. Freescale Semiconductor does not convey any license under its patent rights nor the rights of others. Freescale Semiconductor products are not designed, intended, or authorized for use as components in systems intended for surgical implant into the body, or other applications intended to support or sustain life, or for any other application in which the failure of the Freescale Semiconductor product could create a situation where personal injury or death may occur. Should Buyer purchase or use Freescale Semiconductor products for any such unintended or unauthorized application, Buyer shall indemnify and hold Freescale Semiconductor and its officers, employees, subsidiaries, affiliates, and distributors harmless against all claims, costs, damages, and expenses, and reasonable attorney fees arising out of, directly or indirectly, any claim of personal injury or death associated with such unintended or unauthorized use, even if such claim alleges that Freescale Semiconductor was negligent regarding the design or manufacture of the part.

Freescale™ and the Freescale logo are trademarks of Freescale Semiconductor, Inc. All other product or service names are the property of their respective owners.

© Freescale Semiconductor, Inc. 1996, 2005.

