

---

# DSP56309 USER'S MANUAL

DSP56309UM  
Rev. 1, December 2005



## **How to Reach Us:**

### **Home Page:**

www.freescale.com

### **E-mail:**

support@freescale.com

### **USA/Europe or Locations not listed:**

Freescale Semiconductor  
Technical Information Center, CH370  
1300 N. Alma School Road  
Chandler, Arizona 85224  
+1-800-521-6274 or +1-480-768-2130  
support@freescale.com

### **Europe, Middle East, and Africa:**

Freescale Halbleiter Deutschland GMBH  
Technical Information Center  
Schatzbogen 7  
81829 München, Germany  
+44 1296 380 456 (English)  
+46 8 52200080 (English)  
+49 89 92103 559 (German)  
+33 1 69 35 48 48 (French)  
support@freescale.com

### **Japan:**

Freescale Semiconductor Japan Ltd.  
Headquarters  
ARCO Tower 15F  
1-8-1, Shimo-Meguro, Meguro-ku,  
Tokyo 153-0064, Japan  
0120 191014 or +81 3 5437 9125  
support.japan@freescale.com

### **Asia/Pacific:**

Freescale Semiconductor Hong Kong Ltd.  
Technical Information Center  
2 Dai King Street  
Tai Po Industrial Estate  
Tai Po, N.T. Hong Kong  
+800 2666 8080

### **For Literature Requests Only:**

Freescale Semiconductor Literature Distribution Center  
P.O. Box 5405  
Denver, Colorado 80217  
1-800-441-2447 or 303-675-2140  
Fax: 303-675-2150  
LDCForFreescaleSemiconductor@hibbertgroup.com

Information in this document is provided solely to enable system and software implementers to use Freescale Semiconductor products. There are no express or implied copyright licenses granted hereunder to design or fabricate any integrated circuits or integrated circuits based on the information in this document.

Freescale Semiconductor reserves the right to make changes without further notice to any products herein. Freescale Semiconductor makes no warranty, representation or guarantee regarding the suitability of its products for any particular purpose, nor does Freescale Semiconductor assume any liability arising out of the application or use of any product or circuit, and specifically disclaims any and all liability, including without limitation consequential or incidental damages. "Typical" parameters which may be provided in Freescale Semiconductor data sheets and/or specifications can and do vary in different applications and actual performance may vary over time. All operating parameters, including "Typicals" must be validated for each customer application by customer's technical experts. Freescale Semiconductor does not convey any license under its patent rights nor the rights of others. Freescale Semiconductor products are not designed, intended, or authorized for use as components in systems intended for surgical implant into the body, or other applications intended to support or sustain life, or for any other application in which the failure of the Freescale Semiconductor product could create a situation where personal injury or death may occur. Should Buyer purchase or use Freescale Semiconductor products for any such unintended or unauthorized application, Buyer shall indemnify and hold Freescale Semiconductor and its officers, employees, subsidiaries, affiliates, and distributors harmless against all claims, costs, damages, and expenses, and reasonable attorney fees arising out of, directly or indirectly, any claim of personal injury or death associated with such unintended or unauthorized use, even if such claim alleges that Freescale Semiconductor was negligent regarding the design or manufacture of the part.

Freescale and the Freescale logo are trademarks of Freescale Semiconductor, Inc. All other product or service names are the property of their respective owners.

© Freescale Semiconductor, Inc. 1998, 2005.

<b>DSP56309 Overview</b>	<b>1</b>
<b>Signals/Connections</b>	<b>2</b>
<b>Memory Configuration</b>	<b>3</b>
<b>Core Configuration</b>	<b>4</b>
<b>Programming the Peripherals</b>	<b>5</b>
<b>Host Interface (HI08)</b>	<b>6</b>
<b>Enhanced Synchronous Serial Interface (ESSI)</b>	<b>7</b>
<b>Serial Communication Interface (SCI)</b>	<b>8</b>
<b>Triple Timer Module</b>	<b>9</b>
<b>Bootstrap Program</b>	<b>A</b>
<b>Programming Reference</b>	<b>B</b>
<b>Index</b>	<b>I</b>

- 1** **DSP56309 Overview**
- 2** **Signals/Connections**
- 3** **Memory Configuration**
- 4** **Core Configuration**
- 5** **Programming the Peripherals**
- 6** **Host Interface (HI08)**
- 7** **Enhanced Synchronous Serial Interface (ESSI)**
- 8** **Serial Communication Interface (SCI)**
- 9** **Triple Timer Module**
- A** **Bootstrap Program**
- B** **Programming Reference**
- I** **Index**

# Contents

## 1

### DSP56309 Overview

1.1	Manual Organization . . . . .	1-1
1.2	Manual Conventions . . . . .	1-2
1.3	Manual Revision History for Revision 1 . . . . .	1-3
1.4	Features . . . . .	1-4
1.5	DSP56300 Core. . . . .	1-4
1.6	DSP56300 Core Functional Blocks . . . . .	1-5
1.6.1	Data ALU. . . . .	1-6
1.6.1.1	Data ALU Registers . . . . .	1-6
1.6.1.2	Multiplier-Accumulator (MAC). . . . .	1-6
1.6.2	Address Generation Unit (AGU). . . . .	1-7
1.6.3	Program Control Unit (PCU). . . . .	1-7
1.6.4	PLL and Clock Oscillator . . . . .	1-8
1.6.5	JTAG TAP and OnCE Module . . . . .	1-8
1.6.6	Internal Memory . . . . .	1-9
1.6.7	External Memory Expansion . . . . .	1-9
1.7	Internal Buses . . . . .	1-10
1.8	DMA . . . . .	1-11
1.9	Peripherals. . . . .	1-12
1.9.1	GPIO Functionality . . . . .	1-12
1.9.2	HI08 . . . . .	1-12
1.9.3	ESSI. . . . .	1-12
1.9.4	SCI. . . . .	1-13
1.9.5	Timer Module . . . . .	1-13

## 2

### Signals/Connections

2.1	Power . . . . .	2-3
2.2	Ground . . . . .	2-3
2.3	Clock . . . . .	2-4
2.4	Phase Lock Loop (PLL) . . . . .	2-5
2.5	External Memory Expansion Port (Port A). . . . .	2-5
2.5.1	External Address Bus . . . . .	2-5
2.5.2	External Data Bus . . . . .	2-6
2.5.3	External Bus Control . . . . .	2-6
2.6	Interrupt and Mode Control . . . . .	2-8
2.7	Host Interface (HI08) . . . . .	2-9
2.7.1	Host Port Usage Considerations . . . . .	2-10
2.7.2	Host Port Configuration. . . . .	2-10
2.8	Enhanced Synchronous Serial Interface 0 (ESSI0). . . . .	2-14
2.9	Enhanced Synchronous Serial Interface 1 (ESSI1). . . . .	2-16
2.10	Serial Communication Interface (SCI) . . . . .	2-18

2.11	Timers . . . . .	2-19
2.12	JTAG/OnCE Interface. . . . .	2-20

### 3 Memory Configuration

3.1	Program Memory Space . . . . .	3-1
3.1.1	Internal Program Memory . . . . .	3-2
3.1.2	Memory Switch Modes—Program Memory . . . . .	3-2
3.1.3	Instruction Cache . . . . .	3-2
3.1.4	Program Bootstrap ROM. . . . .	3-2
3.2	X Data Memory Space . . . . .	3-3
3.2.1	Internal X Data Memory . . . . .	3-3
3.2.2	Memory Switch Modes—X Data Memory . . . . .	3-3
3.2.3	Internal I/O Space—X Data Memory . . . . .	3-3
3.3	Y Data Memory Space . . . . .	3-4
3.3.1	Internal Y Data Memory . . . . .	3-4
3.3.2	Memory Switch Modes—Y Data Memory . . . . .	3-4
3.3.3	External I/O Space—Y Data Memory. . . . .	3-4
3.4	Dynamic Memory Configuration Switching. . . . .	3-5
3.5	Sixteen-Bit Compatibility Mode Configuration . . . . .	3-5
3.6	RAM Configuration Summary . . . . .	3-6
3.7	Memory Maps. . . . .	3-6

### 4 Core Configuration

4.1	Operating Modes. . . . .	4-1
4.2	Bootstrap Program . . . . .	4-6
4.3	Central Processor Unit (CPU) Registers. . . . .	4-6
4.3.1	Status Register (SR). . . . .	4-7
4.3.2	Operating Mode Register (OMR) . . . . .	4-12
4.4	Configuring Interrupts. . . . .	4-15
4.4.1	Interrupt Priority Registers (IPRC and IPRP) . . . . .	4-15
4.4.2	Interrupt Table Memory Map . . . . .	4-16
4.4.3	Processing Interrupt Source Priorities Within an IPL . . . . .	4-18
4.5	PLL Control Register (PCTL). . . . .	4-20
4.6	Bus Interface Unit (BIU) Registers. . . . .	4-21
4.6.1	Bus Control Register (BCR) . . . . .	4-21
4.6.2	DRAM Control Register (DCR) . . . . .	4-23
4.6.3	Address Attribute Registers (AAR[0-3]) . . . . .	4-26
4.7	DMA Control Registers 5-0 (DCR[5-0]). . . . .	4-28
4.8	Device Identification Register (IDR) . . . . .	4-33
4.9	JTAG Identification (ID) Register . . . . .	4-34
4.10	JTAG Boundary Scan Register (BSR) . . . . .	4-34

### 5 Programming the Peripherals

5.1	Peripheral Initialization Steps . . . . .	5-1
5.2	Mapping the Control Registers . . . . .	5-1
5.3	Reading Status Registers. . . . .	5-2
5.4	Data Transfer Methods . . . . .	5-2
5.4.1	Polling . . . . .	5-3

5.4.2	Interrupts	5-3
5.4.3	DMA	5-4
5.4.4	Advantages and Disadvantages	5-5
5.5	General-Purpose Input/Output (GPIO)	5-6
5.5.1	Port B Signals and Registers	5-6
5.5.2	Port C Signals and Registers	5-7
5.5.3	Port D Signals and Registers	5-7
5.5.4	Port E Signals and Registers	5-7
5.5.5	Triple Timer Signals and Registers	5-8

## 6

### Host Interface (HI08)

6.1	Features	6-1
6.1.1	DSP Core Interface	6-1
6.1.2	Host Processor Interface	6-1
6.2	Host Port Signals	6-3
6.3	Overview	6-4
6.4	Operation	6-5
6.4.1	Software Polling	6-6
6.4.2	Core Interrupts and Host Commands	6-6
6.4.3	Core DMA Access	6-8
6.4.4	Host Requests	6-8
6.4.5	Endian Modes	6-9
6.5	Boot-up Using the HI08 Host Port	6-11
6.6	DSP Core Programming Model	6-11
6.6.1	Host Control Register (HCR)	6-12
6.6.2	Host Status Register (HSR)	6-13
6.6.3	Host Data Direction Register (HDDR)	6-14
6.6.4	Host Data Register (HDR)	6-15
6.6.5	Host Base Address Register (HBAR)	6-15
6.6.6	Host Port Control Register (HPCR)	6-16
6.6.7	Host Transmit (HTX) Register	6-19
6.6.8	Host Receive (HRX) Register	6-19
6.6.9	DSP-Side Registers After Reset	6-20
6.7	Host Programmer Model	6-20
6.7.1	Interface Control Register (ICR)	6-22
6.7.2	Command Vector Register (CVR)	6-24
6.7.3	Interface Status Register (ISR)	6-24
6.7.4	Interrupt Vector Register (IVR)	6-26
6.7.5	Receive Data Registers (RXH:RXM:RXL)	6-26
6.7.6	Transmit Data Registers (TXH:TXM:TXL)	6-27
6.7.7	Host-Side Registers After Reset	6-27
6.8	Programming Model Quick Reference	6-28

## 7

### Enhanced Synchronous Serial Interface (ESSI)

7.1	ESSI Enhancements	7-2
7.2	ESSI Data and Control Signals	7-2
7.2.1	Serial Transmit Data Signal (STD)	7-2
7.2.2	Serial Receive Data Signal (SRD)	7-3
7.2.3	Serial Clock (SCK)	7-3

7.2.4	Serial Control Signal (SC0)	7-3
7.2.5	Serial Control Signal (SC1)	7-4
7.2.6	Serial Control Signal (SC2)	7-5
7.3	Operation	7-6
7.3.1	ESSI After Reset	7-6
7.3.2	Initialization	7-6
7.3.3	Exceptions	7-7
7.4	Operating Modes: Normal, Network, and On-Demand	7-9
7.4.1	Normal/Network/On-Demand Mode Selection	7-9
7.4.2	Synchronous/Asynchronous Operating Modes	7-10
7.4.3	Frame Sync Selection	7-10
7.4.4	Frame Sync Signal Format	7-10
7.4.5	Frame Sync Length for Multiple Devices	7-10
7.4.6	Word Length Frame Sync and Data Word Timing	7-11
7.4.7	Frame Sync Polarity	7-11
7.4.8	Byte Format (LSB/MSB) for the Transmitter	7-11
7.4.9	Flags	7-12
7.5	ESSI Programming Model	7-12
7.5.1	ESSI Control Register A (CRA)	7-13
7.5.2	ESSI Control Register B (CRB)	7-17
7.5.3	ESSI Status Register (SSISR)	7-26
7.5.4	ESSI Receive Shift Register	7-28
7.5.5	ESSI Receive Data Register (RX)	7-28
7.5.6	ESSI Transmit Shift Registers	7-28
7.5.7	ESSI Transmit Data Registers (TX[2–0])	7-31
7.5.8	ESSI Time Slot Register (TSR)	7-31
7.5.9	Transmit Slot Mask Registers (TSMA, TSMB)	7-31
7.5.10	Receive Slot Mask Registers (RSMA, RSMB)	7-32
7.6	GPIO Signals and Registers	7-33
7.6.1	Port Control Registers (PCRC and PCRD)	7-33
7.6.2	Port Direction Registers (PRRC and PRRD)	7-34
7.6.3	Port Data Registers (PDRC and PDRD)	7-34

## 8 Serial Communication Interface (SCI)

8.1	Operating Modes	8-1
8.1.1	Synchronous Mode	8-2
8.1.2	Asynchronous Mode	8-2
8.1.3	Multidrop Mode	8-2
8.1.3.1	Transmitting Data and Address Characters	8-3
8.1.3.2	Wired-OR Mode	8-3
8.1.3.3	Idle Line Wakeup	8-3
8.1.3.4	Address Mode Wakeup	8-3
8.2	I/O Signals	8-3
8.2.1	Receive Data (RXD)	8-4
8.2.2	Transmit Data (TXD)	8-4
8.2.3	SCI Serial Clock (SCLK)	8-4
8.3	SCI After Reset	8-4
8.4	SCI Initialization	8-6
8.4.1	Preamble, Break, and Data Transmission Priority	8-7
8.4.2	Bootstrap Loading Through the SCI (Boot Mode \$2 or RA)	8-7



8.5	Exceptions . . . . .	8-8
8.6	SCI Programming Model . . . . .	8-8
8.6.1	SCI Control Register (SCR) . . . . .	8-10
8.6.2	SCI Status Register (SSR) . . . . .	8-15
8.6.3	SCI Clock Control Register (SCCR) . . . . .	8-17
8.6.4	SCI Data Registers . . . . .	8-19
8.6.4.1	SCI Receive Register (SRX) . . . . .	8-20
8.6.4.2	SCI Transmit Register (STX) . . . . .	8-21
8.7	GPIO Signals and Registers . . . . .	8-22
8.7.1	Port E Control Register (PCRE) . . . . .	8-22
8.7.2	Port E Direction Register (PRRE) . . . . .	8-22
8.7.3	Port E Data Register (PDRE) . . . . .	8-23

## 9

### Triple Timer Module

9.1	Overview . . . . .	9-1
9.1.1	Triple Timer Module Block Diagram . . . . .	9-1
9.1.2	Individual Timer Block Diagram . . . . .	9-2
9.2	Operation . . . . .	9-3
9.2.1	Timer After Reset . . . . .	9-3
9.2.2	Timer Initialization . . . . .	9-3
9.2.3	Timer Exceptions . . . . .	9-4
9.3	Operating Modes . . . . .	9-5
9.3.1	Triple Timer Modes . . . . .	9-5
9.3.1.1	Timer GPIO (Mode 0) . . . . .	9-5
9.3.1.2	Timer Pulse (Mode 1) . . . . .	9-7
9.3.1.3	Timer Toggle (Mode 2) . . . . .	9-8
9.3.1.4	Timer Event Counter (Mode 3) . . . . .	9-10
9.3.2	Signal Measurement Modes . . . . .	9-11
9.3.2.1	Measurement Input Width (Mode 4) . . . . .	9-12
9.3.2.2	Measurement Input Period (Mode 5) . . . . .	9-13
9.3.2.3	Measurement Capture (Mode 6) . . . . .	9-15
9.3.3	Pulse Width Modulation . . . . .	9-16
9.3.4	Watchdog Modes . . . . .	9-18
9.3.4.1	Watchdog Pulse (Mode 9) . . . . .	9-19
9.3.4.2	Watchdog Toggle (Mode 10) . . . . .	9-20
9.3.4.3	Reserved Modes . . . . .	9-20
9.3.5	Special Cases . . . . .	9-21
9.3.6	DMA Trigger . . . . .	9-21
9.4	Triple Timer Module Programming Model . . . . .	9-21
9.4.1	Prescaler Counter . . . . .	9-21
9.4.2	Timer Prescaler Load Register (TPLR) . . . . .	9-22
9.4.3	Timer Prescaler Count Register (TPCR) . . . . .	9-23
9.4.4	Timer Control/Status Register (TCSR) . . . . .	9-24
9.4.5	Timer Load Register (TLR) . . . . .	9-28
9.4.6	Timer Compare Register (TCPR) . . . . .	9-28
9.4.7	Timer Count Register (TCR) . . . . .	9-29

## A

### Bootstrap Program

A.1	Bootstrap Code . . . . .	A-1
-----	--------------------------	-----

# B

## Programming Reference

B.1	Internal I/O Memory Map.....	B-2
B.2	Interrupt Sources and Priorities.....	B-6
B.3	Programming Sheets.....	B-10

# DSP56309 Overview

This manual describes the DSP56309 24-bit digital signal processor (DSP), its memory, operating modes, and peripheral modules. The DSP56309 is an implementation of the DSP56300 core with a unique configuration of internal memory, cache, and peripherals.

Use this manual in conjunction with the *DSP56300 Family Manual (DSP56300FM)*, which describes the CPU, core programming models, and instruction set. The *DSP56309 Technical Data (DSP56309)*—referred to as the data sheet—provides DSP56309 electrical specifications, timing, pinout, and packaging descriptions.

You can obtain these documents—and the Freescale DSP development tools—through a local Freescale Semiconductor Sales Office or authorized distributor. To receive the latest information on this DSP, access the Freescale web site at the address listed on the back cover of this manual.

## 1.1 Manual Organization

This manual contains the following sections and appendices:

- **Chapter 1, *Overview***. Features list and block diagram, related documentation, organization of this manual, and the notational conventions used.
- **Chapter 2, *Signals/Connections***. DSP56309 signals and their functional groupings.
- **Chapter 3, *Memory Configuration***. DSP56309 memory spaces, RAM configuration, memory configuration bit settings, memory configurations, and memory maps.
- **Chapter 4, *Core Configuration***. Registers for configuring the DSP56300 core when programming the DSP56309, in particular the interrupt vector locations and the operation of the interrupt priority registers; operating modes and how they affect the processor's program and data memories.
- **Chapter 5, *Programming the Peripherals***. Guidelines on initializing the DSP56309 peripherals, including mapping control registers, specifying a method of transferring data, and configuring for general-purpose input/output (GPIO).
- **Chapter 6, *Host Interface (HI08)***. Signals, architecture, programming model, reset, interrupts, external host programming model, initialization, and a quick reference to the HI08 programming model.

- **Chapter 7, *Enhanced Synchronous Serial Interface (ESSI)*.** Enhancements, data and control signals, programming model, operating modes, initialization, exceptions, and GPIO.
- **Chapter 8, *Serial Communication Interface (SCI)*.** Signals, programming model, operating modes, reset, initialization, and GPIO.
- **Chapter 9, *Triple Timer Module*.** Architecture, programming model, and operating modes of three identical timer devices available for use as internals or event counters.
- **Appendix A, *Bootstrap Code*.** Bootstrap code and equates for the DSP56309.
- **Appendix B, *Programming Reference*.** Peripheral addresses, interrupt addresses, and interrupt priorities for the DSP56309; programming sheets listing the contents of the major DSP56309 registers for programmer’s reference.

## 1.2 Manual Conventions

This manual uses the following conventions:

- Bits within registers are always listed from most significant bit (MSB) to least significant bit (LSB).
- Bits within a register are indicated AA[n – m], n > m, when more than one bit is involved in a description. For purposes of description, the bits are presented as if they are contiguous within a register. However, this is not always the case. Refer to the programming model diagrams or to the programming sheets to see the exact location of bits within a register.
- When a bit is “set,” its value is 1. When a bit is “cleared,” its value is 0.
- The word “assert” means that a high true (active high) signal is pulled high to V<sub>CC</sub> or that a low true (active low) signal is pulled low to ground. The word “deassert” means that a high true signal is pulled low to ground or that a low true signal is pulled high to V<sub>CC</sub>. See **Table 1-1**.

**Table 1-1. High True/Low True Signal Conventions**

Signal/Symbol	Logic State	Signal State	Voltage
$\overline{\text{PIN}}^1$	True	Asserted	Ground <sup>2</sup>
PIN	False	Deasserted	V <sub>CC</sub> <sup>3</sup>
PIN	True	Asserted	V <sub>CC</sub>
PIN	False	Deasserted	Ground

**Notes:**

1. PIN is a generic term for any pin on the chip.
2. Ground is an acceptable low voltage level. See the appropriate data sheet for the range of acceptable low voltage levels (typically a TTL logic low).
3. V<sub>CC</sub> is an acceptable high voltage level. See the appropriate data sheet for the range of acceptable high voltage levels (typically a TTL logic high).

- Pins or signals that are asserted low (made active when pulled to ground) are indicated like this:
  - In text, they have an overbar: for example,  $\overline{\text{RESET}}$  is asserted low.
  - In code examples, they have a tilde in front of their names. In **Example 1-1**, line 3 refers to the  $\overline{\text{SS0}}$  signal (shown as  $\sim\text{SS0}$ ).
- Sets of signals are indicated by the first and last signals in the set, for instance HAD[0–7].
- “Input/Output” indicates a bidirectional signal. “Input or Output” indicates a signal that is exclusively one or the other.
- Code examples are displayed in a monospaced font, as shown in **Example 1-1**.

### Example 1-1. Sample Code Listing

```
BFSET#$0007,X:PCC; Configure:           line 1
; MISO0, MOSI0, SCK0 for SPI master     line 2
; ~SS0 as PC3 for GPIO                  line 3
```

- Hexadecimal values are indicated with a \$ preceding the value, as follows: \$FFFFFF is the X memory address for the core interrupt priority register.
- The word “reset” is used in four different contexts in this manual:
  - the reset signal, written as  $\overline{\text{RESET}}$
  - the reset instruction, written as RESET
  - the reset operating state, written as Reset
  - the reset function, written as reset

## 1.3 Manual Revision History for Revision 1

Revision 1 is completely reorganized compared to Revision 0. This resulted in reordering of information in most chapters and the deletion of the old **Chapters 10 and 11** and **Appendices B and C**. The old **Appendix D** became **Appendix B**. Other significant differences are listed in **Table 1-2**.

**Table 1-2.** Change History, Revision 0 to Revision 1

Change	Revision 0 Page Number	Revision 1 Page Number
Modified signal definitions. Added note 5 pertaining to GND in <b>Table 2-1</b> .	Page 2-3	Page 2-1
Modified signal definitions. Added a note 4 pertaining to GND at the bottom of <b>Figure 2-1</b> . Removed overbars from HA10, HRW, AA0–AA3, and TMS.	Page 2-4	Page 2-2
Modified signal definitions. Changed the note at the end of <b>Table 2-3</b> .	Page 2-7	Page 2-4
Modified signal definitions. In <b>Table 2-8</b> , changed the <b>State During Reset, Stop, or Wait</b> descriptions for the $\overline{\text{BR}}$ and $\overline{\text{BB}}$ signals.	Pages 2-11 to 2-12	Pages 2-6 to 2-7

**Table 1-2.** Change History, Revision 0 to Revision 1 (Continued)

Change	Revision 0 Page Number	Revision 1 Page Number
Modified signal definitions. In <b>Table 2-11</b> , changed the title of the third column to <b>State During Reset</b> <sup>1,2</sup> Added a new note 1 and changed the old note 1 to note 2. Changed the <b>State During Reset</b> of all signals to "Ignored input." Changed the signal description for PB14.	Pages 2-17 to 2-21	Pages 2-10 to 2-12
Modified signal definitions. In <b>Table 2-12</b> to <b>Table 2-15</b> , deleted the Stop column. Changed the title of the third column to <b>State During Reset</b> <sup>1,2</sup> Added a new note 1 and changed the old note 1 to note 2.	Page 2-22 to 2-31	Page 2-13 to 2-19
Operating Mode Register layout and definition. Replaced <b>Figure 4-2</b> .	Page 4-17	Page 4-13
In <b>Section 8.6.4.1</b> , changed the beginning of the fourth paragraph from "In Synchronous mode" to "In Asynchronous mode."	Page 8-20	Page 8-21
Updated programming sheets. Replaced the programming sheets for the following registers: <ul style="list-style-type: none"> <li>• <b>Figure B-2</b>, Operating Mode Register (OMR) (old <b>Figure D-2</b>)</li> <li>• <b>Figure B-21</b>, Timer Load, Compare, and Count Registers (TLR, TCP, and TCR) (old <b>Figure D-21</b>)</li> </ul>	Page D-13 Page D-33	Page B-11 Page B-30

## 1.4 Features

The Freescale DSP56309, a member of the DSP56300 core family of programmable DSPs, supports wireless infrastructure applications with general filtering operations. Like the other family members, the DSP56309 uses a high-performance, single-clock-cycle-per-instruction engine (code compatible with Freescale's popular DSP56000 core family), a barrel shifter, 24-bit addressing, instruction cache, and DMA controller. The DSP56309 offers 100 million instructions per second (MIPS) performance using an internal 100 MHz clock with 3.3 V core and input/output (I/O) power.

All DSP56300 core family members contain the DSP56300 core and additional modules. The modules are chosen from a library of standard predesigned elements, such as memories and peripherals. New modules can be added to the library to meet customer specifications. A standard interface between the DSP56300 core and the internal memory and peripherals supports a wide variety of memory and peripheral configurations. In particular, the DSP56309 includes a JTAG port integrated with the Freescale OnCE module.

The DSP56309 is intended for use in telecommunication applications, such as multi-line voice/data/fax processing, video conferencing, audio applications, control, and general digital signal processing

## 1.5 DSP56300 Core

Core features are fully described in the *DSP56300 Family Manual*. This manual, in contrast, documents pinout, memory, and peripheral features. Core features are as follows:

- 100 million instructions per second (MIPS) with a 100 MHz clock at 3.0–3.6 V
- Highly parallel instruction set
- Data arithmetic logic unit (Data ALU)
  - Fully pipelined  $24 \times 24$ -bit parallel multiplier-accumulator (MAC)
  - 56-bit parallel barrel shifter (fast shift and normalization; bit stream generation and parsing)
  - Conditional ALU instructions
  - 24-bit or 16-bit arithmetic support under software control
- Program control unit (PCU)
  - Position Independent Code (PIC) support
  - Addressing modes optimized for DSP applications (including immediate offsets)
  - Instruction cache controller
  - Internal memory-expandable hardware stack
  - Nested hardware DO loops
  - Fast auto-return interrupts
- Direct memory access (DMA)
  - Six DMA channels supporting internal and external accesses
  - One-, two-, and three- dimensional transfers (including circular buffering)
  - End-of-block-transfer interrupts
  - Triggering from interrupt lines and all peripherals
- Phase lock loop (PLL)
  - Allows change of low power Divide Factor (DF) without loss of lock
  - Output clock with skew elimination
- Hardware debugging support
  - On-chip emulation (OnCE) module
  - Joint Test Action Group (JTAG) Test Access Port (TAP)
  - Address Trace mode reflects internal program RAM accesses at the external port
- Reduced power dissipation
  - Very low-power CMOS design
  - Wait and stop low-power standby modes
  - Fully-static design specified to operate down to 0 Hz (dc)
  - Optimized power-management circuitry (instruction-dependent, peripheral-dependent, and mode-dependent)

## 1.6 DSP56300 Core Functional Blocks

The functional blocks of the DSP56300 core are:

- Data arithmetic logic unit (ALU)
- Address generation unit

- Program control unit
- PLL and clock oscillator
- JTAG TAP and OnCE module
- Memory

In addition, the DSP56309 provides a set of internal peripherals, discussed in **Section 1.9, *Peripherals***, on page 1-12.

## 1.6.1 Data ALU

The data ALU performs all the arithmetic and logical operations on data operands in the DSP56300 core. These are the components of the data ALU:

- Fully pipelined  $24 \times 24$ -bit parallel multiplier-accumulator
- Bit field unit, comprising a 56-bit parallel barrel shifter (fast shift and normalization; bit stream generation and parsing)
- Conditional ALU instructions
- Software-controllable 24-bit, 48-bit, or 56-bit arithmetic support
- Four 24-bit or 48-bit input general-purpose registers: X1, X0, Y1, and Y0
- Six data ALU registers (A2, A1, A0, B2, B1, and B0) that are concatenated into two general-purpose, 56-bit accumulators, A and B, accumulator shifters
- Two data bus shifter/limiter circuits

### 1.6.1.1 Data ALU Registers

The data ALU registers are read or written over the X data bus and the Y data bus as 16- or 32-bit operands. The source operands for the data ALU can be 16, 32, or 40 bits and always originate from data ALU registers. The results of all data ALU operations are stored in an accumulator. Data ALU operations are performed in two clock cycles in a pipeline so that a new instruction can be initiated in every clock cycle, yielding an effective execution rate of one instruction per clock cycle. The destination of every arithmetic operation can be a source operand for the immediately following operation without penalty.

### 1.6.1.2 Multiplier-Accumulator (MAC)

The MAC unit comprises the main arithmetic processing unit of the DSP56300 core and performs all of the calculations on data operands. For arithmetic instructions, the unit accepts as many as three input operands and outputs one 56-bit result of the following form: extension:most significant product:least significant product (EXT:MSP:LSP).

The multiplier executes  $24\text{-bit} \times 24\text{-bit}$  parallel, fractional multiplies between twos-complement signed, unsigned, or mixed operands. The 48-bit product is right-justified and added to the 56-bit



contents of either the A or B accumulator. A 56-bit result can be stored as a 24-bit operand. The LSP is either truncated or rounded into the MSP. Rounding is performed if specified.

## 1.6.2 Address Generation Unit (AGU)

The AGU performs the effective address calculations using integer arithmetic necessary to address data operands in memory and contains the registers that generate the addresses. It implements four types of arithmetic: linear, modulo, multiple wrap-around modulo, and reverse-carry. The AGU operates in parallel with other chip resources to minimize address-generation overhead.

The AGU is divided into halves, each with its own identical address ALU. Each address ALU has four sets of register triplets, and each register triplet includes an address register, offset register, and modifier register. Each contains a 24-bit full adder (called an offset adder). A second full adder (called a modulo adder) adds the summed result of the first full adder to a modulo value that is stored in its respective modifier register. A third full adder (called a reverse-carry adder) is also provided. The offset adder and the reverse-carry adder work in parallel and share common inputs. The only difference between them is that the carry propagates in opposite directions. Test logic determines which of the three summed results of the full adders is output.

Each address ALU can update one address register from its own address register file during one instruction cycle. The contents of the associated modifier register specify the type of arithmetic used in the address register update calculation. The modifier value is decoded in the address ALU.

## 1.6.3 Program Control Unit (PCU)

The PCU fetches and decodes instructions, controls hardware DO loops, and processes exceptions. Its seven-stage pipeline controls the different processing states of the DSP56300 core. The PCU consists of three hardware blocks:

- *Program decode controller.* Decodes the 24-bit instruction loaded into the instruction latch and generates all signals for pipeline control.
- *Program address generator.* Contains all the hardware needed for program address generation, system stack, and loop control.
- *Program interrupt controller.* Arbitrates among all interrupt requests (internal interrupts, as well as the five external requests  $\overline{IRQA}$ ,  $\overline{IRQB}$ ,  $\overline{IRQC}$ ,  $\overline{IRQD}$ , and  $\overline{NMI}$ ), and generates the appropriate interrupt vector address.

PCU features include the following:

- Position-independent code support
- Addressing modes optimized for DSP applications (including immediate offsets)
- Instruction cache controller

- Internal memory-expandable hardware stack
- Nested hardware DO loops
- Fast auto-return interrupts
- Hardware system stack

The PCU uses the following registers:

- Program counter register
- Status register
- Loop address register
- Loop counter register
- Vector base address register
- Size register
- Stack pointer
- Operating mode register
- Stack counter register

#### 1.6.4 PLL and Clock Oscillator

The clock generator in the DSP56300 core comprises two main blocks: the PLL, which performs clock input division, frequency multiplication, and skew elimination; and the clock generator, which performs low-power division and clock pulse generation. These features allow you to:

- Change the low-power divide factor without losing the lock
- Output a clock with skew elimination

The PLL allows the processor to operate at a high internal clock frequency using a low-frequency clock input, a feature that offers two immediate benefits:

- A lower-frequency clock input reduces the overall electromagnetic interference generated by a system.
- The ability to oscillate at different frequencies reduces costs by eliminating the need to add additional oscillators to a system.

#### 1.6.5 JTAG TAP and OnCE Module

In the DSP56300 core is a dedicated user-accessible TAP that is fully compatible with the *IEEE 1149.1 Standard Test Access Port and Boundary Scan Architecture*. Problems with testing high-density circuit boards led to the development of this standard under the sponsorship of the Test Technology Committee of IEEE and the JTAG. The DSP56300 core implementation supports circuit-board test strategies based on this standard. The test logic includes a TAP with four dedicated signals, a 16-state controller, and three test data registers. A boundary scan

register links all device signals into a single shift register. The test logic, implemented utilizing static logic design, is independent of the device system logic. For details on the JTAG port, consult the *DSP56300 Family Manual*.

The OnCE module interacts with the DSP56300 core and its peripherals nonintrusively so that you can examine registers, memory, or internal peripherals. This facilitates hardware and software development on the DSP56300 core processor. OnCE module functions are provided through the JTAG TAP signals. For details on the OnCE module, consult the *DSP56300 Family Manual*.

## 1.6.6 Internal Memory

The memory space of the DSP56300 core is partitioned into program, X data, and Y data memory space. The data memory space is divided into X and Y data memory in order to work with the two address ALUs and to feed two operands simultaneously to the data ALU. Memory space includes internal RAM and ROM and can be expanded off-chip under software control. For details on internal memory, see **Chapter 3, Memory Configuration**. Program RAM, instruction cache, X data RAM, and Y data RAM size are programmable, as shown in **Table 1-2**.

**Table 1-3. Internal Memory**

Instruction Cache	Switch Mode	Program RAM Size	Instruction Cache Size	X Data RAM Size	Y Data RAM Size
disabled	disabled	20480 × 24-bit	0	7168 × 24-bit	7168 × 24-bit
enabled	disabled	19456 × 24-bit	1024 × 24-bit	7168 × 24-bit	7168 × 24-bit
disabled	enabled	24576 × 24-bit	0	5120 × 24-bit	5120 × 24-bit
enabled	enabled	23552 × 24-bit	1024 × 24-bit	5120 × 24-bit	5120 × 24-bit

There is an internal 192 × 24-bit bootstrap ROM.

## 1.6.7 External Memory Expansion

Memory can be expanded externally as follows:

- Data memory expansion to two 256 K × 24-bit word memory spaces using the standard external address lines
- Program memory expansion to one 256 K × 24-bit words memory space using the standard external address lines

Further features of external memory include the following:

- External memory expansion port
- Simultaneous glueless interface to static random access memory (SRAM) and dynamic random access memory (DRAM)

## 1.7 Internal Buses

To provide data exchange between the blocks, the DSP56309 implements the following buses:

- Peripheral I/O expansion bus to peripherals
- Program memory expansion bus to program ROM
- X memory expansion bus to X memory
- Y memory expansion bus to Y memory
- Global data bus between PCU and other core structures
- Program data bus for carrying program data throughout the core
- X memory data bus for carrying X data throughout the core
- Y memory data bus for carrying Y data throughout the core
- Program address bus for carrying program memory addresses throughout the core
- X memory address bus for carrying X memory addresses throughout the core
- Y memory address bus for carrying Y memory addresses throughout the core.

The block diagram in **Figure 1-1** illustrates these buses among other components. All internal buses on the DSP56300 family members are 24-bit buses. The program data bus is also a 24-bit bus.

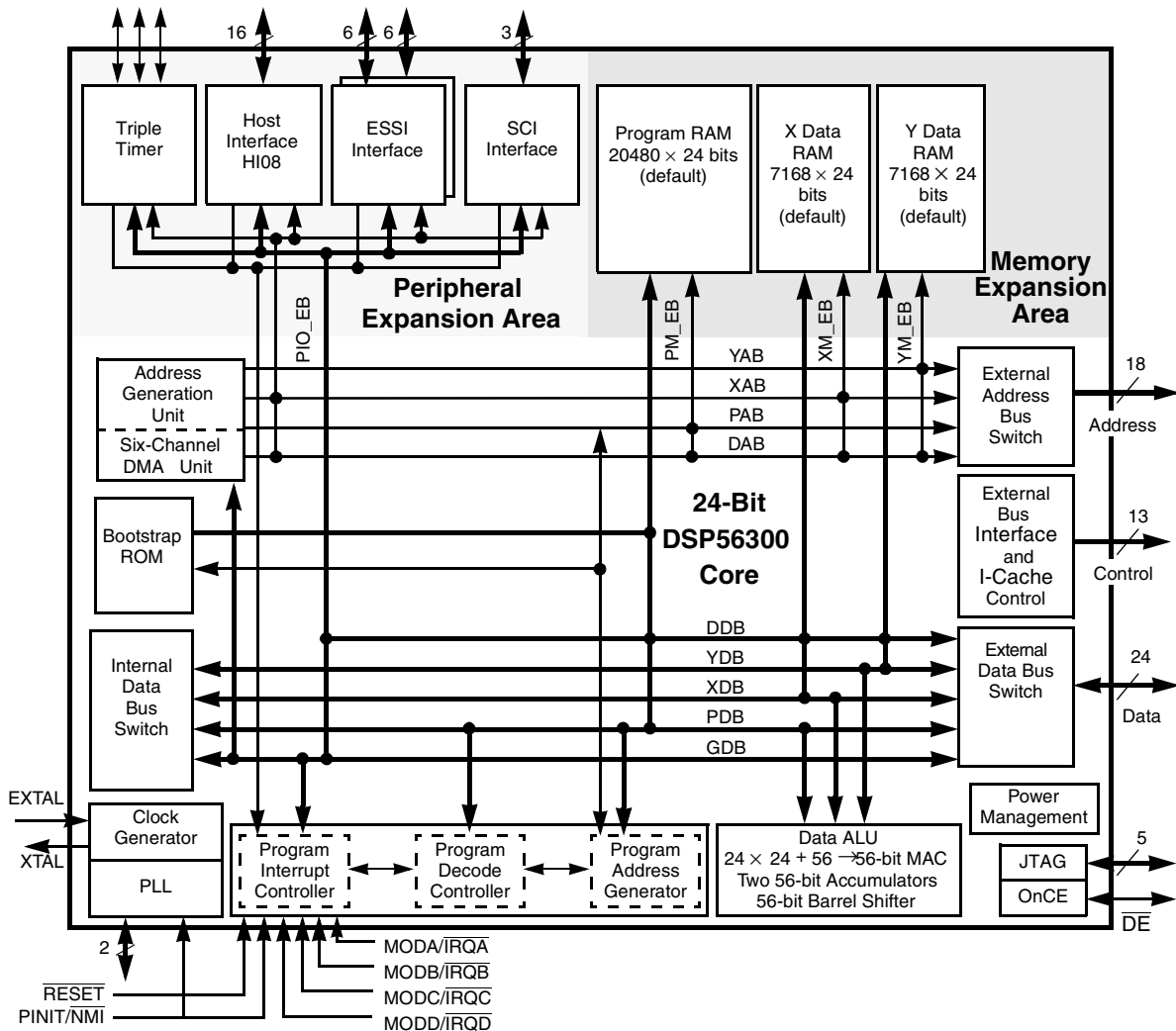


Figure 1-1. DSP56309 Block Diagram

**Note:** See Section 1.6.6, *Internal Memory*, on page 1-9 for memory size details.

## 1.8 DMA

The DMA block has the following features:

- Six DMA channels supporting internal and external accesses
- One-, two-, and three-dimensional transfers (including circular buffering)
- End-of-block-transfer interrupts
- Triggering from interrupt lines and all peripherals

## 1.9 Peripherals

In addition to the core features, the DSP56309 provides the following peripherals:

- As many as 34 user-configurable GPIO signals
- HI08 to external hosts
- Dual ESSI
- SCI
- Triple timer module
- Memory switch mode
- Four external interrupt/mode control lines

### 1.9.1 GPIO Functionality

The GPIO port consists of up to 34 programmable signals, also used by the peripherals (HI08, ESSI, SCI, and timer). There are no dedicated GPIO signals. After a reset, the signals are automatically configured as GPIO. Three memory-mapped registers per peripheral control GPIO functionality. Programming techniques for these registers to control GPIO functionality are detailed in **Chapter 5, *Programming the Peripherals***.

### 1.9.2 HI08

The HI08 is a byte-wide, full-duplex, double-buffered parallel port that can connect directly to the data bus of a host processor. The HI08 supports a variety of buses and provides connection with a number of industry-standard DSPs, microcomputers, and microprocessors without requiring any additional logic. The DSP core treats the HI08 as a memory-mapped peripheral occupying eight 24-bit words in data memory space. The DSP can use the HI08 as a memory-mapped peripheral, using either standard polled or interrupt programming techniques. Separate double-buffered transmit and receive data registers allow the DSP and host processor to transfer data efficiently at high speed. Memory mapping allows you to program DSP core communication with the HI08 registers using standard instructions and addressing modes.

### 1.9.3 ESSI

The DSP56309 provides two independent and identical ESSIs. Each ESSI has a full-duplex serial port for communication with a variety of serial devices, including one or more industry-standard codecs, other DSPs, microprocessors, and peripherals that implement the Freescale SPI. The ESSI consists of independent transmitter and receiver sections and a common ESSI clock generator. ESSI capabilities include the following:

- Independent (asynchronous) or shared (synchronous) transmit and receive sections with separate or shared internal/external clocks and frame syncs
- Normal mode operation using frame sync

- Network mode operation with as many as 32 time slots
- Programmable word length (8, 12, or 16 bits)
- Program options for frame synchronization and clock generation
- One receiver and three transmitters per ESSI

### 1.9.4 SCI

The SCI provides a full-duplex port for serial communication with other DSPs, microprocessors, or peripherals such as modems. The SCI interfaces without additional logic to peripherals that use TTL-level signals. With a small amount of additional logic, the SCI can connect to peripheral interfaces that have non-TTL level signals, such as the RS-232C, RS-422, etc. This interface uses three dedicated signals: transmit data, receive data, and SCI serial clock. It supports industry-standard asynchronous bit rates and protocols, as well as high-speed synchronous data transmission (up to 12.5 Mbps for a 100 MHz clock). SCI asynchronous protocols include a multidrop mode for master/slave operation with wakeup on idle line and wakeup on address bit capability. This mode allows the DSP56309 to share a single serial line efficiently with other peripherals.

Separate SCI transmit and receive sections can operate asynchronously with respect to each other. A programmable baud-rate generator provides the transmit and receive clocks. An enable vector and an interrupt vector allow the baud-rate generator to function as a general-purpose timer when the SCI is not using it or when the interrupt timing is the same as that used by the SCI.

### 1.9.5 Timer Module

The triple timer module is composed of a common 21-bit prescaler and three independent and identical general-purpose 24-bit timer/event counters, each with its own memory-mapped register set. Each timer has the following properties:

- A single signal that can function as a GPIO signal or as a timer signal
- Uses internal or external clocking and can interrupt the DSP after a specified number of events (clocks) or signal an external device after counting internal events
- Connection to the external world through one bidirectional signal. When this signal is configured as an input, the timer functions as an external event counter or measures external pulse width/signal period. When the signal is used as an output, the timer functions as either a timer, a watchdog, or a pulse width modulator.



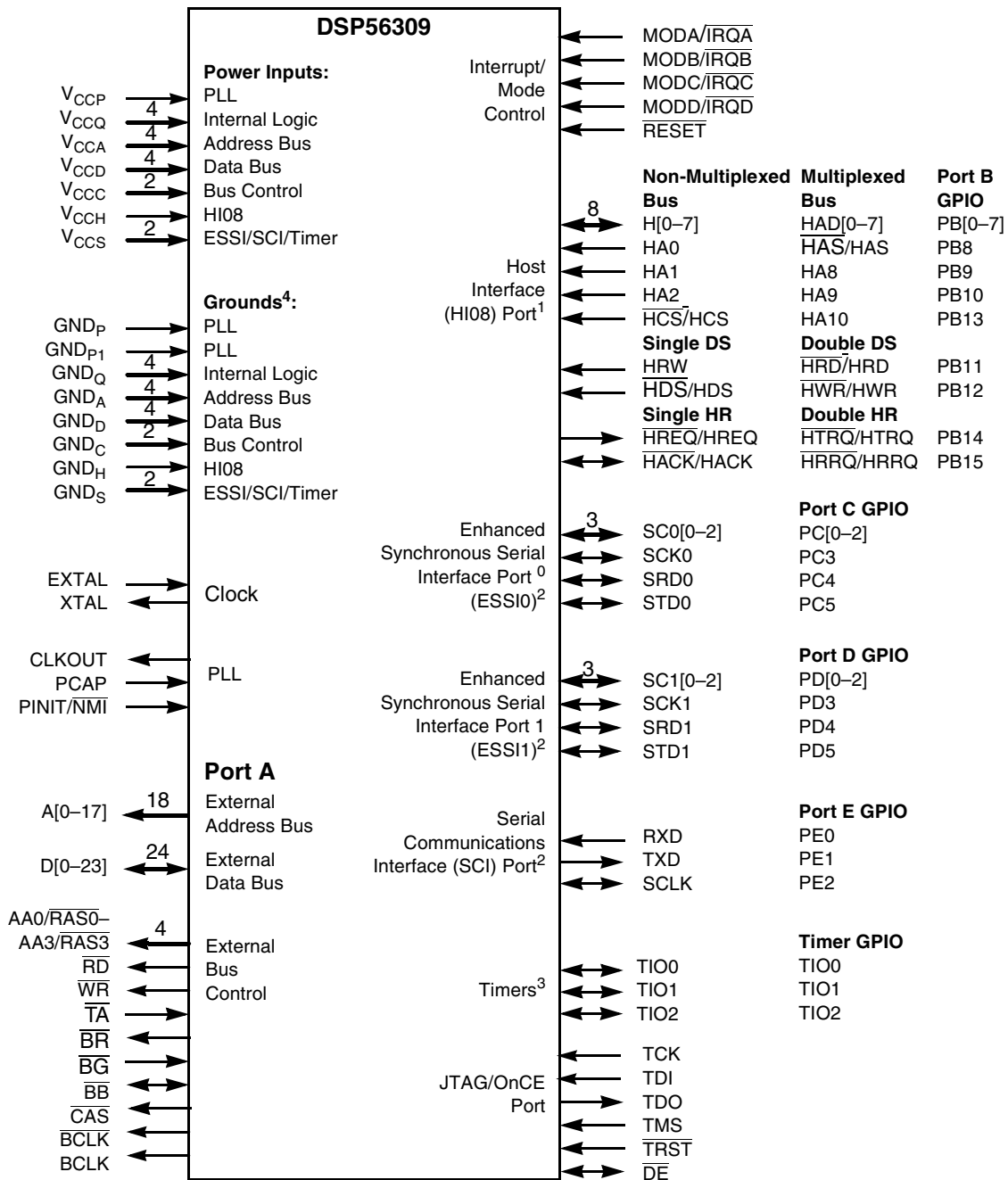


# Signals/Connections

The DSP56309 input and output signals are organized into functional groups, as shown in **Table 2-1** and illustrated in **Figure 2-1**. The DSP56309 operates from a 3 V supply; however, some of the inputs can tolerate 5 V. A special notice for this feature is added to the signal descriptions of those inputs.

**Table 2-1. DSP56309 Functional Signal Groupings**

Functional Group		Number of Signals	Description and Page
Power ( $V_{CC}$ )		18	<b>Table 2-2</b> on page -3
Ground (GND)		19	<b>Table 2-3</b> on page -3
Clock		2	<b>Table 2-4</b> on page -4
PLL		3	<b>Table 2-5</b> on page -5
Address bus	Port A <sup>1</sup>	18	<b>Table 2-6</b> on page -5
Data bus		24	<b>Table 2-7</b> on page -6
Bus control		13	<b>Table 2-8</b> on page -6
Interrupt and mode control		5	<b>Table 2-9</b> on page -8
HI08	Port B2	16	<b>Table 2-11</b> on page -10
ESSI	Ports C and D <sup>3</sup>	12	<b>Table 2-12</b> on page -14 <b>Table 2-13</b> on page -16
SCI	Port E <sup>4</sup>	3	<b>Table 2-14</b> on page -18
Timer <sup>5</sup>		3	<b>Table 2-15</b> on page -19
OnCE/JTAG Port		6	<b>Table 2-16</b> on page -20
<p><b>Notes:</b></p> <ol style="list-style-type: none"> <li>1. Port A signals define the external memory interface port, including the external address bus, data bus, and control signals.</li> <li>2. Port B signals are the HI08 port signals multiplexed with the GPIO signals.</li> <li>3. Port C and D signals are the two ESSI port signals multiplexed with the GPIO signals.</li> <li>4. Port E signals are the SCI port signals multiplexed with the GPIO signals.</li> <li>5. The number of Ground signals listed are for the 144-pin TQFP package. For the 196-ball MAP-BGA package, there are 66 GND connections.</li> </ol>			



- Note:
- The HI08 port supports a non-multiplexed or a multiplexed bus, single or double Data Strobe (DS), and single or double Host Request (HR) configurations. Since each mode is configured independently, any combination of these modes is possible. These HI08 signals can also be configured as GPIO signals (PB[0-15]). Signals with dual designations (for example,  $\overline{\text{HAS}}/\text{HAS}$ ) have configurable polarity.
  - The ESSI0, ESSI1, and SCI signals are multiplexed with the Port C GPIO signals (PC[0-5]), Port D GPIO signals (PD[0-5]), and Port E GPIO signals (PE[0-2]), respectively.
  - TIO[0-2] can be configured as GPIO signals.
  - The GND signals are listed for the 144-pin TQFP package. For the 196-ball MAP-BGA package, all grounds except GND<sub>P</sub> and GND<sub>P1</sub> are connected together and referenced as GND. There are 64 GND connections.

Figure 2-1. Signals Identified by Functional Group

## 2.1 Power

**Table 2-2. Power Inputs**

Power Name	Description
$V_{CCP}$	<b>PLL Power</b> $V_{CC}$ dedicated for use with Phase Lock Loop (PLL). The voltage should be well-regulated and the input should be provided with an extremely low impedance path to the $V_{CC}$ power rail.
$V_{CCQ}$ (4)	<b>Quiet Power</b> An isolated power for the internal processing logic. This input must be tied externally to all other chip power inputs, except for $V_{CCP}$ . The user must provide adequate external decoupling capacitors.
$V_{CCA}$ (4)	<b>Address Bus Power</b> An isolated power for sections of the address bus I/O drivers. This input must be tied externally to all other chip power inputs, except for $V_{CCP}$ . The user must provide adequate external decoupling capacitors.
$V_{CCD}$ (4)	<b>Data Bus Power</b> An isolated power for sections of the data bus I/O drivers. This input must be tied externally to all other chip power inputs, except for $V_{CCP}$ . The user must provide adequate external decoupling capacitors.
$V_{CCC}$ (2)	<b>Bus Control Power</b> An isolated power for the bus control I/O drivers. This input must be tied externally to all other chip power inputs, except for $V_{CCP}$ . The user must provide adequate external decoupling capacitors.
$V_{CCH}$	<b>Host Power</b> An isolated power for the HI08 I/O drivers. This input must be tied externally to all other chip power inputs, except for $V_{CCP}$ . The user must provide adequate external decoupling capacitors.
$V_{CCS}$ (2)	<b>ESSI, SCI, and Timer Power</b> An isolated power for the ESSI, SCI, and timer I/O drivers. This input must be tied externally to all other chip power inputs, except for $V_{CCP}$ . The user must provide adequate external decoupling capacitors.
<b>Note:</b>	These designations are package-dependent. Some packages connect all $V_{CC}$ inputs except $V_{CCP}$ to each other internally. On those packages, all power input except $V_{CCP}$ are labeled $V_{CC}$ . The numbers of connections indicated in this table are minimum values; the total $V_{CC}$ connections are package-dependent.

## 2.2 Ground

**Table 2-3. Grounds**

Ground Name	Description
$GND_P$	<b>PLL Ground</b> Ground dedicated for PLL use. The connection should be provided with an extremely low-impedance path to ground. $V_{CCP}$ should be bypassed to $GND_P$ by a 0.47 $\mu$ F capacitor located as close as possible to the chip package.
$GND_{P1}$	<b>PLL Ground 1</b> Ground dedicated for PLL use. The connection should be provided with an extremely low-impedance path to ground.
$GND_Q$ (4)	<b>Quiet Ground</b> An isolated ground for the internal processing logic. This connection must be tied externally to all other chip ground connections, except $GND_P$ and $GND_{P1}$ . The user must provide adequate external decoupling capacitors.

**Table 2-3. Grounds (Continued)**

Ground Name	Description
GND <sub>A</sub> (4)	<b>Address Bus Ground</b> An isolated ground for sections of the address bus I/O drivers. This connection must be tied externally to all other chip ground connections, except GND <sub>P</sub> and GND <sub>P1</sub> . The user must provide adequate external decoupling capacitors.
GND <sub>D</sub> (4)	<b>Data Bus Ground</b> An isolated ground for sections of the data bus I/O drivers. This connection must be tied externally to all other chip ground connections, except GND <sub>P</sub> and GND <sub>P1</sub> . The user must provide adequate external decoupling capacitors.
GND <sub>C</sub> (2)	<b>Bus Control Ground</b> An isolated ground for the bus control I/O drivers. This connection must be tied externally to all other chip ground connections, except GND <sub>P</sub> and GND <sub>P1</sub> . The user must provide adequate external decoupling capacitors.
GND <sub>H</sub>	<b>Host Ground</b> An isolated ground for the HI08 I/O drivers. This connection must be tied externally to all other chip ground connections, except GND <sub>P</sub> and GND <sub>P1</sub> . The user must provide adequate external decoupling capacitors.
GND <sub>S</sub> (2)	<b>ESSI, SCI, and Timer Ground</b> An isolated ground for the ESSI, SCI, and timer I/O drivers. This connection must be tied externally to all other chip ground connections, except GND <sub>P</sub> and GND <sub>P1</sub> . The user must provide adequate external decoupling capacitors.
<b>Note:</b> The subsystem GND signals (GND <sub>Q</sub> , GND <sub>A</sub> , GND <sub>D</sub> , GND <sub>C</sub> , GND <sub>H</sub> , and GND <sub>S</sub> ) are listed for the 144-pin TQFP package. For the 196-ball MAP-BGA package, all grounds except GND <sub>P</sub> and GND <sub>P1</sub> are connected together inside the package and referenced as GND .	

## 2.3 Clock

**Table 2-4. Clock Signals**

Signal Name	Type	State During Reset	Signal Description
EXTAL	Input	Input	<b>External Clock/Crystal Input</b> Interfaces the internal crystal oscillator input to an external crystal or an external clock.
XTAL	Output	Chip-driven	<b>Crystal Output</b> Connects the internal crystal oscillator output to an external crystal. If an external clock is used, leave XTAL unconnected.

## 2.4 Phase Lock Loop (PLL)

**Table 2-5. Phase Lock Loop Signals**

Signal Name	Type	State During Reset	Signal Description
PCAP	Input	Input	<p><b>PLL Capacitor</b> Connects an off-chip capacitor to the PLL filter. See the <i>DSP56309 Technical Data</i> sheet to determine the correct PLL capacitor value. Connect one capacitor terminal to PCAP and the other terminal to <math>V_{CCP}</math>.</p> <p>If the PLL is not used, PCAP can be tied to <math>V_{CC}</math>, GND, or left floating.</p>
CLKOUT	Output	Chip-driven	<p><b>Clock Output</b> Provides an output clock synchronized to the internal core clock phase.</p> <p>If the PLL is enabled and both the multiplication and division factors equal one, then CLKOUT is also synchronized to EXTAL.</p> <p>If the PLL is disabled, the CLKOUT frequency is half the frequency of EXTAL.</p>
PINIT/ $\overline{NMI}$	Input	Input	<p><b>PLL Initial/Non-Maskable Interrupt</b> During assertion of <math>\overline{RESET}</math>, the value of PINIT/<math>\overline{NMI}</math> is written into the PLL Enable (PEN) bit of the PLL control register, determining whether the PLL is enabled or disabled. After <math>\overline{RESET}</math> deassertion and during normal instruction processing, the PINIT/<math>\overline{NMI}</math> Schmitt-trigger input is a negative-edge-triggered Non-Maskable Interrupt (NMI) request internally synchronized to CLKOUT.</p> <p>PINIT/<math>\overline{NMI}</math> can tolerate 5 V.</p>

## 2.5 External Memory Expansion Port (Port A)

**Note:** When the DSP56309 enters a low-power standby mode (Stop or Wait), it releases bus mastership and tri-states the relevant Port A signals: A[0–17], D[0–23], AA0/ $\overline{RAS0}$ –AA3/ $\overline{RAS3}$ ,  $\overline{RD}$ ,  $\overline{WR}$ ,  $\overline{BB}$ ,  $\overline{CAS}$ ,  $\overline{BCLK}$ , BCLK.

### 2.5.1 External Address Bus

**Table 2-6. External Address Bus Signals**

Signal Name	Type	State During Reset, Stop, or Wait	Signal Description
A[0–17]	Output	Tri-stated	<p><b>Address Bus</b> When the DSP is the bus master, A[0–17] specify the address for external program and data memory accesses. Otherwise, the signals are tri-stated. To minimize power dissipation, A[0–17] do not change state when external memory spaces are not being accessed.</p>

## 2.5.2 External Data Bus

**Table 2-7.** External Data Bus Signals

Signal Name	Type	State During Reset, Stop, or Wait	Signal Description
D[0–23]	Input/Output	Tri-stated	<b>Data Bus</b> When the DSP is the bus master, D[0–23] provide the bidirectional data bus for external program and data memory accesses. Otherwise, D[0–23] are tri-stated.

## 2.5.3 External Bus Control

**Table 2-8.** External Bus Control Signals

Signal Name	Type	State During Reset, Stop, or Wait	Signal Description
AA0/ $\overline{\text{RAS0}}$ – AA3/ $\overline{\text{RAS3}}$	Output	Tri-stated	<b>Address Attribute or Row Address Strobe</b> As AA, these signals function as chip selects or additional address lines. Unlike address lines, however, the AA lines do not hold their state after a read or write operation. As $\overline{\text{RAS}}$ , these signals can be used for Dynamic Random Access Memory (DRAM) interface. These signals have programmable polarity.
$\overline{\text{RD}}$	Output	Tri-stated	<b>Read Enable</b> When the DSP is the bus master, $\overline{\text{RD}}$ is asserted to read external memory on the data bus (D[0–23]). Otherwise, $\overline{\text{RD}}$ is tri-stated.
$\overline{\text{WR}}$	Output	Tri-stated	<b>Write Enable</b> When the DSP is the bus master, $\overline{\text{WR}}$ is asserted to write external memory on the data bus (D[0–23]). Otherwise, $\overline{\text{WR}}$ is tri-stated.
$\overline{\text{TA}}$	Input	Ignored Input	<b>Transfer Acknowledge</b> If the DSP56309 is the bus master and there is no external bus activity, or the DSP56309 is not the bus master, the $\overline{\text{TA}}$ input is ignored. The $\overline{\text{TA}}$ input is a Data Transfer Acknowledge (DTACK) function that can extend an external bus cycle indefinitely. Any number of wait states (1, 2, ..., infinity) can be added to the wait states inserted by the BCR by keeping $\overline{\text{TA}}$ deasserted. In typical operation, $\overline{\text{TA}}$ is deasserted at the start of a bus cycle, asserted to enable completion of the bus cycle, and deasserted before the next bus cycle. The current bus cycle completes one clock period after $\overline{\text{TA}}$ is asserted synchronous to CLKOUT. The number of wait states is determined by the $\overline{\text{TA}}$ input or by the Bus Control Register (BCR), whichever is longer. The BCR can set the minimum number of wait states in external bus cycles.  To use the $\overline{\text{TA}}$ functionality, the BCR must be programmed to at least one wait state. A zero wait state access cannot be extended by $\overline{\text{TA}}$ deassertion; otherwise improper operation may result. $\overline{\text{TA}}$ can operate synchronously or asynchronously, depending on the setting of the TAS bit in the Operating Mode Register (OMR).  $\overline{\text{TA}}$ functionality cannot be used during DRAM-type accesses; otherwise improper operation may result.

Table 2-8. External Bus Control Signals (Continued)

Signal Name	Type	State During Reset, Stop, or Wait	Signal Description
$\overline{BR}$	Output	Output (deasserted) State during Stop/Wait depends on the BRH bit setting: <ul style="list-style-type: none"> <li>BRH = 0: Output, deasserted.</li> <li>BRH = 1: Maintains last state (that is, if asserted, remains asserted)</li> </ul>	<b>Bus Request</b> Asserted when the DSP requests bus mastership and deasserted when the DSP no longer needs the bus. $\overline{BR}$ can be asserted or deasserted independently of whether the DSP56309 is a bus master or a bus slave. Bus “parking” allows $\overline{BR}$ to be deasserted even though the DSP56309 is the bus master (see the description of bus “parking” in the $\overline{BB}$ signal description). The Bus Request Hold (BRH) bit in the BCR allows $\overline{BR}$ to be asserted under software control, even though the DSP does not need the bus. $\overline{BR}$ is typically sent to an external bus arbitrator that controls the priority, parking and tenure of each master on the same external bus. $\overline{BR}$ is affected only by DSP requests for the external bus, never for the internal bus. During hardware reset, $\overline{BR}$ is deasserted and the arbitration is reset to the bus slave state.
$\overline{BG}$	Input	Ignored Input	<b>Bus Grant</b> Must be asserted/deasserted synchronous to CLKOUT for proper operation. An external bus arbitration circuit asserts $\overline{BG}$ when the DSP56309 becomes the next bus master. When $\overline{BG}$ is asserted, the DSP56309 must wait until $\overline{BB}$ is deasserted before taking bus mastership. When $\overline{BG}$ is deasserted, bus mastership is typically given up at the end of the current bus cycle. This may occur in the middle of an instruction that requires more than one external bus cycle for execution.
$\overline{BB}$	Input/ Output	Ignored Input	<b>Bus Busy</b> Indicates that the bus is active and must be asserted and deasserted synchronous to CLKOUT. Only after $\overline{BB}$ is deasserted can the pending bus master become the bus master (and then assert the signal again). The bus master can keep $\overline{BB}$ asserted after ceasing bus activity, regardless of whether $\overline{BR}$ is asserted or deasserted. This is called “bus parking” and allows the current bus master to reuse the bus without re-arbitration until another device requires the bus. $\overline{BB}$ is deasserted by an “active pull-up” method (that is, $\overline{BB}$ is driven high and then released and held high by an external pull-up resistor).  $\overline{BB}$ requires an external pull-up resistor.
$\overline{CAS}$	Output	Tri-stated	<b>Column Address Strobe</b> When the DSP is the bus master, DRAM uses $\overline{CAS}$ to strobe the column address. Otherwise, if the Bus Mastership Enable (BME) bit in the DRAM Control Register is cleared, the signal is tri-stated.
$\overline{BCLK}$	Output	Tri-stated	<b>Bus Clock</b> When the DSP is the bus master, BCLK is active when the OMR[ATE] is set. When BCLK is active and synchronized to CLKOUT by the internal PLL, BCLK precedes CLKOUT by one-fourth of a clock cycle.
$\overline{BCLK}$	Output	Tri-stated	<b>Bus Clock Not</b> When the DSP is the bus master, $\overline{BCLK}$ is the inverse of the BCLK signal. Otherwise, the signal is tri-stated.

## 2.6 Interrupt and Mode Control

The interrupt and mode control signals select the chip's operating mode as it comes out of hardware reset. After  $\overline{\text{RESET}}$  is deasserted, these inputs are hardware interrupt request lines.

**Table 2-9.** Interrupt and Mode Control

Signal Name	Type	State During Reset	Signal Description
$\overline{\text{RESET}}$	Input	Input	<p><b>Reset</b> Deassertion of <math>\overline{\text{RESET}}</math> is internally synchronized to the clock out (CLKOUT). When asserted, the chip is placed in the Reset state and the internal phase generator is reset. The Schmitt-trigger input allows a slowly rising input (such as a capacitor charging) to reset the chip reliably. If <math>\overline{\text{RESET}}</math> is deasserted synchronous to CLKOUT, exact start-up timing is guaranteed, allowing multiple processors to start and operate synchronously. When the <math>\overline{\text{RESET}}</math> signal is deasserted, the initial chip operating mode is latched from the MODA, MODB, MODC, and MODD inputs. The <math>\overline{\text{RESET}}</math> signal must be asserted after power-up.</p> <p><math>\overline{\text{RESET}}</math> can tolerate 5 V.</p>
MODA/ $\overline{\text{IRQA}}$	Input	Input	<p><b>Mode Select A/External Interrupt Request A</b> Selects the initial chip operating mode during hardware reset and becomes a level-sensitive or negative-edge-triggered, maskable interrupt request input during normal instruction processing. MODA, MODB, MODC, and MODD select one of sixteen initial chip operating modes, latched into the OMR when the <math>\overline{\text{RESET}}</math> signal is deasserted.</p> <p>Internally synchronized to CLKOUT. If <math>\overline{\text{IRQA}}</math> is asserted synchronous to CLKOUT, multiple processors can be re-synchronized using the WAIT instruction and asserting <math>\overline{\text{IRQA}}</math> to exit the Wait state. If a STOP instruction puts the processor in the Stop standby state and <math>\overline{\text{IRQA}}</math> is asserted, the processor exits the Stop state.</p> <p>MODA/<math>\overline{\text{IRQA}}</math> can tolerate 5 V.</p>
MODB/ $\overline{\text{IRQB}}$	Input	Input	<p><b>Mode Select B/External Interrupt Request B</b> Selects the initial chip operating mode during hardware reset and becomes a level-sensitive or negative-edge-triggered, maskable interrupt request input during normal instruction processing. MODA, MODB, MODC, and MODD select one of sixteen initial chip operating modes, latched into OMR when the <math>\overline{\text{RESET}}</math> signal is deasserted.</p> <p>Internally synchronized to CLKOUT. If <math>\overline{\text{IRQB}}</math> is asserted synchronous to CLKOUT, multiple processors can be re-synchronized using the WAIT instruction and asserting <math>\overline{\text{IRQB}}</math> to exit the Wait state.</p> <p>MODB/<math>\overline{\text{IRQB}}</math> can tolerate 5 V.</p>



**Table 2-9.** Interrupt and Mode Control (Continued)

Signal Name	Type	State During Reset	Signal Description
MODC/ $\overline{\text{IRQC}}$	Input	Input	<p><b>Mode Select C/External Interrupt Request C</b>  Selects the initial chip operating mode during hardware reset and becomes a level-sensitive or negative-edge-triggered, maskable interrupt request input during normal instruction processing. MODA, MODB, MODC, and MODD select one of sixteen initial chip operating modes, latched into OMR when the <math>\overline{\text{RESET}}</math> signal is deasserted.</p> <p>Internally synchronized to CLKOUT. If <math>\overline{\text{IRQC}}</math> is asserted synchronous to CLKOUT, multiple processors can be re-synchronized using the WAIT instruction and asserting <math>\overline{\text{IRQC}}</math> to exit the Wait state.</p> <p>MODC/<math>\overline{\text{IRQC}}</math> can tolerate 5 V.</p>
MODD/ $\overline{\text{IRQD}}$	Input	Input	<p><b>Mode Select D/External Interrupt Request D</b>  Selects the initial chip operating mode during hardware reset and becomes a level-sensitive or negative-edge-triggered, maskable interrupt request input during normal instruction processing. MODA, MODB, MODC, and MODD select one of sixteen initial chip operating modes, latched into OMR when the <math>\overline{\text{RESET}}</math> signal is deasserted.</p> <p>Internally synchronized to CLKOUT. If <math>\overline{\text{IRQD}}</math> is asserted synchronous to CLKOUT, multiple processors can be re-synchronized using the WAIT instruction and asserting <math>\overline{\text{IRQD}}</math> to exit the Wait state.</p> <p>MODD/<math>\overline{\text{IRQD}}</math> can tolerate 5 V.</p>

## 2.7 Host Interface (HI08)

The HI08 provides a fast, parallel data-to-8-bit port that can directly connect to the host bus. The HI08 supports a variety of standard buses and can directly connect to a number of industry-standard microcomputers, microprocessors, DSPs, and DMA hardware.

## 2.7.1 Host Port Usage Considerations

Careful synchronization is required when the system reads multiple-bit registers that are written by another asynchronous system. This is a common problem when two asynchronous systems are connected (as they are in the Host port). The considerations for proper operation are discussed in **Table 2-10**.

**Table 2-10.** Host Port Usage Considerations

Action	Description
Asynchronous read of receive byte registers	To assure that the data in the receive byte registers is valid when you are reading the r Receive register High (RXH), Receive register Middle (RXM), or Receive register Low (RXL), use interrupts or poll the Receive Register Data Full (RXDF) flag that indicates data is available.
Asynchronous write to transmit byte registers	To ensure that the transmit byte registers transfer valid data to the Host Receive (HRX) register, do not write to the Transmit register High (TXH), Transmit register Middle (TXM), or Transmit register Low (TXL) registers unless the Transmit register Data Empty (TXDE) bit is set indicating that the transmit byte registers are empty.
Asynchronous write to host vector	To ensure that the DSP interrupt control logic receives a stable vector, change the Host Vector (HV) register only when the Host Command bit (HC) is clear.

## 2.7.2 Host Port Configuration

HI08 signal functions vary according to the programmed configuration of the interface as determined by the 16 bits in the HI08 Port Control Register (HPCR). Refer to the **Chapter 6, Host Interface (HI08)**, for detailed descriptions of HI08 configuration registers.

**Table 2-11.** Host Interface

Signal Name	Type	State During Reset <sup>1,2</sup>	Signal Description
H[0–7]	Input/Output	Ignored input	<b>Host Data</b> When the HI08 is programmed to interface with a non-multiplexed host bus and the HI function is selected, these signals are lines 0–7 of the Data bus.
HAD[0–7]	Input/Output		<b>Host Address</b> When the HI08 is programmed to interface with a multiplexed host bus and the HI function is selected, these signals are lines 0–7 of the Address/Data bus.
PB[0–7]	Input or Output		<b>Port B 0–7</b> When the HI08 is configured as GPIO through the HPCR, these signals are individually programmed through the HI08 Data Direction Register (HDDR). This input is 5 V tolerant.

Table 2-11. Host Interface (Continued)

Signal Name	Type	State During Reset <sup>1,2</sup>	Signal Description
HA0	Input	Ignored input	<b>Host Address Input 0</b> When the HI08 is programmed to interface with a non-multiplexed host bus and the HI function is selected, this signal is line 0 of the Host Address bus.
$\overline{\text{HAS}}$ /HAS	Input		<b>Host Address Strobe</b> When the HI08 is programmed to interface with a multiplexed host bus and the HI function is selected, this signal is the Host Address Strobe (HAS) Schmitt-trigger input. The polarity of the address strobe is programmable, but is configured active-low ( $\overline{\text{HAS}}$ ) following reset.
PB8	Input or Output		<b>Port B 8</b> When the HI08 is configured as GPIO through the HPCR, this signal is individually programmed through the HDDR. This input is 5 V tolerant.
HA1	Input	Ignored input	<b>Host Address Input 1</b> When the HI08 is programmed to interface with a non-multiplexed host bus and the HI function is selected, this signal is line 1 of the Host Address bus.
HA8	Input		<b>Host Address 8</b> When the HI08 is programmed to interface with a multiplexed host bus and the HI function is selected, this signal is line 8 of the Host Address bus.
PB9	Input or Output		<b>Port B 9</b> When the HI08 is configured as GPIO through the HPCR, this signal is individually programmed through the HDDR. This input is 5 V tolerant.
HA2	Input	Ignored input	<b>Host Address Input 2</b> When the HI08 is programmed to interface with a non-multiplexed host bus and the HI function is selected, this signal is line 2 of the Host Address bus.
HA9	Input		<b>Host Address 9</b> When the HI08 is programmed to interface with a multiplexed host bus and the HI function is selected, this signal is line 9 of the Host Address bus.
PB10	Input or Output		<b>Port B 10</b> When the HI08 is configured as GPIO through the HPCR, this signal is individually programmed through the HDDR. This input is 5 V tolerant.

Table 2-11. Host Interface (Continued)

Signal Name	Type	State During Reset <sup>1,2</sup>	Signal Description
HRW	Input	Ignored input	<b>Host Read/Write</b> When the HI08 is programmed to interface with a single-data-strobe host bus and the HI function is selected, this signal is the Host Read/Write input.
$\overline{\text{HRD}}/\text{HRD}$	Input		<b>Host Read Data</b> When the HI08 is programmed to interface with a double-data-strobe host bus and the HI function is selected, this signal is the Host Read Data strobe (HRD) Schmitt-trigger input. The polarity of the data strobe is programmable, but is configured as active-low ( $\overline{\text{HRD}}$ ) after reset.
PB11	Input or Output		<b>Port B 11</b> When the HI08 is configured as GPIO through the HPCR, this signal is individually programmed through the HDDR. This input is 5 V tolerant.
$\overline{\text{HDS}}/\text{HDS}$	Input	Ignored input	<b>Host Data Strobe</b> When the HI08 is programmed to interface with a single-data-strobe host bus and the HI function is selected, this signal is the Host Data Strobe (HDS) Schmitt-trigger input. The polarity of the data strobe is programmable, but is configured as active-low ( $\overline{\text{HDS}}$ ) following reset.
$\overline{\text{HWR}}/\text{HWR}$	Input		<b>Host Write Data</b> When the HI08 is programmed to interface with a double-data-strobe host bus and the HI function is selected, this signal is the Host Write Data Strobe (HWR) Schmitt-trigger input. The polarity of the data strobe is programmable, but is configured as active-low ( $\overline{\text{HWR}}$ ) following reset.
PB12	Input or Output		<b>Port B 12</b> When the HI08 is configured as GPIO through the HPCR, this signal is individually programmed through the HDDR. This input is 5 V tolerant.
HCS	Input	Ignored input	<b>Host Chip Select</b> When the HI08 is programmed to interface with a non-multiplexed host bus and the HI function is selected, this signal is the Host Chip Select (HCS) input. The polarity of the chip select is programmable, but is configured active-low ( $\overline{\text{HCS}}$ ) after reset.
HA10	Input		<b>Host Address 10</b> When the HI08 is programmed to interface with a multiplexed host bus and the HI function is selected, this signal is line 10 of the Host Address bus.
PB13	Input or Output		<b>Port B 13</b> When the HI08 is configured as GPIO through the HPCR, this signal is individually programmed through the HDDR. This input is 5 V tolerant.

Table 2-11. Host Interface (Continued)

Signal Name	Type	State During Reset <sup>1,2</sup>	Signal Description
$\overline{\text{HREQ}}/\text{HREQ}$	Output	Ignored input	<b>Host Request</b> When the HI08 is programmed to interface with a single host request host bus and the HI function is selected, this signal is the Host Request (HREQ) output. The polarity of the host request is programmable, but is configured as active-low (HREQ) following reset. The host request can be programmed as a driven or open-drain output.
$\overline{\text{HTRQ}}/\text{HTRQ}$	Output		<b>Transmit Host Request</b> When the HI08 is programmed to interface with a double host request host bus and the HI function is selected, this signal is the Transmit Host Request (HTRQ) output. The polarity of the host request is programmable, but is configured as active-low ( $\overline{\text{HTRQ}}$ ) following reset. The host request may be programmed as a driven or open-drain output.
PB14	Input or Output		<b>Port B 14</b> When the HI08 is configured as GPIO through the HPCR, this signal is individually programmed through the HDDR. This input is 5 V tolerant.
$\overline{\text{HACK}}/\text{HACK}$	Input	Ignored input	<b>Host Acknowledge</b> When the HI08 is programmed to interface with a single host request host bus and the HI function is selected, this signal is the Host Acknowledge (HACK) Schmitt-trigger input. The polarity of the host acknowledge is programmable, but is configured as active-low ( $\overline{\text{HACK}}$ ) after reset.
$\overline{\text{HRRQ}}/\text{HRRQ}$	Output		<b>Receive Host Request</b> When the HI08 is programmed to interface with a double host request host bus and the HI function is selected, this signal is the Receive Host Request (HRRQ) output. The polarity of the host request is programmable, but is configured as active-low ( $\overline{\text{HRRQ}}$ ) after reset. The host request may be programmed as a driven or open-drain output.
PB15	Input or Output		<b>Port B 15</b> When the HI08 is configured as GPIO through the HPCR, this signal is individually programmed through the HDDR. This input is 5 V tolerant.

- Notes:**
- In the Stop state, the signal maintains the last state as follows:
    - If the last state is input, the signal is an ignored input.
    - If the last state is output, these lines are tri-stated
  - The Wait processing state does not affect the signal state.

## 2.8 Enhanced Synchronous Serial Interface 0 (ESSI0)

Two synchronous serial interfaces (ESSI0 and ESSI1) provide a full-duplex serial port for serial communication with a variety of serial devices, including one or more industry-standard CODECs, other DSPs, microprocessors, and peripherals that implement the Freescale serial peripheral interface (SPI).

**Table 2-12.** Enhanced Synchronous Serial Interface 0 (ESSI0)

Signal Name	Type	State During Reset <sup>1, 2</sup>	Signal Description
SC00  PC0	Input or Output	Ignored input	<p><b>Serial Control 0</b> Functions in either Synchronous or Asynchronous mode. For Asynchronous mode, this signal is the receive clock I/O (Schmitt-trigger input). For Synchronous mode, this signal is either for Transmitter 1 output or Serial I/O Flag 0.</p> <p><b>Port C 0</b> The default configuration following reset is GPIO. For PC0, signal direction is controlled through the Port C Direction Register (PRRC).</p> <p>This signal is configured as SC00 or PC0 through the Port C Control Register (PCRC). This input is 5 V tolerant.</p>
SC01  PC1	Input/Output  Input or Output	Ignored input	<p><b>Serial Control 1</b> Functions in either Synchronous or Asynchronous mode. For Asynchronous mode, this signal is the receiver frame sync I/O. For Synchronous mode, this signal is either Transmitter 2 output or Serial I/O Flag 1.</p> <p><b>Port C 1</b> The default configuration following reset is GPIO. For PC1, signal direction is controlled through PRRRC.</p> <p>This signal is configured as SC01 or PC1 through PCRC. This input is 5 V tolerant.</p>
SC02  PC2	Input/Output  Input or Output	Ignored input	<p><b>Serial Control Signal 2</b> The frame sync for both the transmitter and receiver in Synchronous mode, and for the transmitter only in Asynchronous mode. When configured as an output, this signal is the internally generated frame sync signal. When configured as an input, this signal receives an external frame sync signal for the transmitter (and the receiver in synchronous operation).</p> <p><b>Port C 2</b> The default configuration following reset is GPIO. For PC2, signal direction is controlled through PRRRC. This signal is configured as SC02 or PC2 through PCRC. This input is 5 V tolerant.</p>

**Table 2-12.** Enhanced Synchronous Serial Interface 0 (ESSIO) (Continued)

Signal Name	Type	State During Reset <sup>1, 2</sup>	Signal Description
SCK0	Input/Output	Ignored input	<p><b>Serial Clock</b> Provides the serial bit rate clock for the ESSIO interface for both the transmitter and receiver in Synchronous modes, or the transmitter only in Asynchronous modes.</p> <p>Although an external serial clock can be independent of and asynchronous to the DSP system clock, it must exceed the minimum clock cycle time of 6 T (that is, the system clock frequency must be at least three times the external ESSIO clock frequency). The ESSIO needs at least three DSP phases inside each half of the serial clock.</p>
PC3	Input or Output		<p><b>Port C 3</b> The default configuration following reset is GPIO. For PC3, signal direction is controlled through PRRC. This signal is configured as SCK0 or PC3 through PCRC. This input is 5 V tolerant.</p>
SRD0	Input	Ignored input	<p><b>Serial Receive Data</b> Receives serial data and transfers the data to the ESSIO receive shift register. SRD0 is an input when data is being received.</p>
PC4	Input or Output		<p><b>Port C 4</b> The default configuration following reset is GPIO. For PC4, signal direction is controlled through PRRC. This signal is configured as SRD0 or PC4 through PCRC. This input is 5 V tolerant.</p>
STD0	Output	Ignored input	<p><b>Serial Transmit Data</b> Transmits data from the serial transmit shift register. STD0 is an output when data is being transmitted.</p>
PC5	Input or Output		<p><b>Port C 5</b> The default configuration following reset is GPIO. For PC5, signal direction is controlled through PRRC. This signal is configured as STD0 or PC5 through PCRC. This input is 5 V tolerant.</p>

**Notes:** 1. In the Stop state, the signal maintains the last state as follows:

- If the last state is input, the signal is an ignored input.
- If the last state is output, these lines are tri-stated.

2. The Wait processing state does not affect the signal state.

## 2.9 Enhanced Synchronous Serial Interface 1 (ESSI1)

**Table 2-13.** Enhanced Synchronous Serial Interface 1 (ESSI1)

Signal Name	Type	State During Reset <sup>1, 2</sup>	Signal Description
SC10  PD0	Input or Output	Ignored input	<p><b>Serial Control 0</b> Functions in either Synchronous or Asynchronous mode. For Asynchronous mode, this signal is the receive clock I/O (Schmitt-trigger input). For Synchronous mode, this signal is either for Transmitter 1 output or Serial I/O Flag 0.</p> <p><b>Port D 0</b> The default configuration following reset is GPIO. For PD0, signal direction is controlled through the Port D Direction Register (PRRD).</p> <p>This signal is configured as SC10 or PD0 through the Port D Control Register (PCRD). This input is 5 V tolerant.</p>
SC11  PD1	Input/Output  Input or Output	Ignored input	<p><b>Serial Control 1</b> Functions in either Synchronous or Asynchronous mode. For Asynchronous mode, this signal is the receiver frame sync I/O. For Synchronous mode, this signal is either Transmitter 2 output or Serial I/O Flag 1.</p> <p><b>Port D 1</b> The default configuration following reset is GPIO. For PD1, signal direction is controlled through PRRD.</p> <p>This signal is configured as SC11 or PD1 through PCRD. This input is 5 V tolerant.</p>
SC12  PD2	Input/Output  Input or Output	Ignored input	<p><b>Serial Control Signal 2</b> The frame sync for both the transmitter and receiver in Synchronous mode, and for the transmitter only in Asynchronous mode. When configured as an output, this signal is the internally generated frame sync signal. When configured as an input, this signal receives an external frame sync signal for the transmitter (and the receiver in synchronous operation).</p> <p><b>Port D 2</b> The default configuration following reset is GPIO. For PD2, signal direction is controlled through PRRD.</p> <p>This signal is configured as SC12 or PD2 through PCRD. This input is 5 V tolerant.</p>



**Table 2-13.** Enhanced Synchronous Serial Interface 1 (ESSI1) (Continued)

Signal Name	Type	State During Reset <sup>1, 2</sup>	Signal Description
SCK1	Input/Output	Ignored input	<p><b>Serial Clock</b> Provides the serial bit rate clock for the ESSI interface for both the transmitter and receiver in Synchronous modes, or the transmitter only in Asynchronous modes.</p> <p>Although an external serial clock can be independent of and asynchronous to the DSP system clock, it must exceed the minimum clock cycle time of 6 T (that is, the system clock frequency must be at least three times the external ESSI clock frequency). The ESSI needs at least three DSP phases inside each half of the serial clock.</p>
PD3	Input or Output		<p><b>Port D 3</b> The default configuration following reset is GPIO. For PD3, signal direction is controlled through PRRD.</p> <p>This signal is configured as SCK1 or PD3 through PCRD. This input is 5 V tolerant.</p>
SRD1	Input	Ignored input	<p><b>Serial Receive Data</b> Receives serial data and transfers the data to the ESSI receive shift register. SRD0 is an input when data is being received.</p>
PD4	Input or Output		<p><b>Port D 4</b> The default configuration following reset is GPIO. For PD4, signal direction is controlled through PRRD. This signal is configured as SRD1 or PD4 through PCRD. This input is 5 V tolerant.</p>
STD1	Output	Ignored input	<p><b>Serial Transmit Data</b> Transmits data from the serial transmit shift register. STD1 is an output when data is being transmitted.</p>
PD5	Input or Output		<p><b>Port C 5</b> The default configuration following reset is GPIO. For PD5, signal direction is controlled through PRRD. This signal is configured as STD1 or PD5 through PCRD. This input is 5 V tolerant.</p>

**Notes:** 1. In the Stop state, the signal maintains the last state as follows:

- If the last state is input, the signal is an ignored input.
- If the last state is output, these lines are tri-stated.

2. The Wait processing state does not affect the signal state.

## 2.10 Serial Communication Interface (SCI)

The Serial Communication interface (SCI) provides a full duplex port for serial communication with other DSPs, microprocessors, or peripherals such as modems.

**Table 2-14.** Serial Communication Interface (SCI)

Signal Name	Type	State During Reset <sup>1, 2</sup>	Signal Description
RXD PE0	Input Input or Output	Ignored input	<p><b>Serial Receive Data</b> Receives byte-oriented serial data and transfers it to the SCI receive shift register.</p> <p><b>Port E 0</b> The default configuration following reset is GPIO. When configured as PE0, signal direction is controlled through the Port E Directions Register (PRRE). This signal is configured as RXD or PE0 through the Port E Control Register (PCRE). This input is 5 V tolerant.</p>
TXD PE1	Output Input or Output	Ignored input	<p><b>Serial Transmit Data</b> Transmits data from SCI transmit data register.</p> <p><b>Port E 1</b> The default configuration following reset is GPIO. When configured as PE1, signal direction is controlled through the SCI PRRE. This signal is configured as TXD or PE1 through PCRE. This input is 5 V tolerant.</p>
SCLK PE2	Input/Output Input or Output	Ignored input	<p><b>Serial Clock</b> Provides the input or output clock used by the transmitter and/or the receiver.</p> <p><b>Port E 2</b> The default configuration following reset is GPIO. For PE2, signal direction is controlled through the SCI PRRE. This signal is configured as SCLK or PE2 through PCRE. This input is 5 V tolerant.</p>

- Notes:**
- In the Stop state, the signal maintains the last state as follows:
    - If the last state is input, the signal is an ignored input.
    - If the last state is output, these lines are tri-stated.
  - The Wait processing state does not affect the signal state.

## 2.11 Timers

The DSP56309 has three identical and independent timers. Each can use internal or external clocking, interrupt the DSP56309 after a specified number of events (clocks), or signal an external device after counting a specific number of internal events.

**Table 2-15.** Triple Timer Signals

Signal Name	Type	State During Reset <sup>1, 2</sup>	Signal Description
TIO0	Input or Output	Ignored input	<b>Timer 0 Schmitt-Trigger Input/Output</b> As an external event counter or in Measurement mode, TIO0 is input. In Watchdog, Timer, or Pulse Modulation mode, TIO0 is output. The default mode after reset is GPIO input. This can be changed to output or configured as a Timer Input/Output through the Timer 0 Control/Status Register (TCSR0). This input is 5 V tolerant.
TIO1	Input or Output	Ignored input	<b>Timer 1 Schmitt-Trigger Input/Output</b> As an external event counter or in Measurement mode, TIO1 is input. In Watchdog, Timer, or Pulse Modulation mode, TIO1 is output. The default mode after reset is GPIO input. This can be changed to output or configured as a Timer Input/Output through the Timer 1 Control/Status Register (TCSR1). This input is 5 V tolerant.
TIO2	Input or Output	Ignored input	<b>Timer 2 Schmitt-Trigger Input/Output</b> As an external event counter or in Measurement mode, TIO2 is input. In Watchdog, Timer, or Pulse Modulation mode, TIO2 is output. The default mode after reset is GPIO input. This can be changed to output or configured as a Timer Input/Output through the Timer 2 Control/Status Register (TCSR2). This input is 5 V tolerant.

- Notes:**
- In the Stop state, the signal maintains the last state as follows:
    - If the last state is input, the signal is an ignored input.
    - If the last state is output, these lines are tri-stated.
  - The Wait processing state does not affect the signal state.

## 2.12 JTAG/OnCE Interface

**Table 2-16. JTAG/OnCE Interface**

Signal Name	Type	State During Reset	Signal Description
TCK	Input	Input	<b>Test Clock</b> A test clock signal for synchronizing JTAG test logic. This input is 5 V tolerant.
TDI	Input	Input	<b>Test Data Input</b> A test data serial signal for test instructions and data. TDI is sampled on the rising edge of TCK and has an internal pull-up resistor. This input is 5 V tolerant.
TDO	Output	Tri-stated	<b>Test Data Output</b> A test data serial signal for test instructions and data. TDO can be tri-stated. The signal is actively driven in the shift-IR and shift-DR controller states and changes on the falling edge of TCK. This pin is 5 V tolerant.
TMS	Input	Input	<b>Test Mode Select</b> Sequences the test controller's state machine, is sampled on the rising edge of TCK, and has an internal pull-up resistor. This input is 5 V tolerant.
$\overline{\text{TRST}}$	Input	Input	<b>Test Reset</b> Asynchronously initializes the test controller, has an internal pull-up resistor, and must be asserted after power up. This input is 5 V tolerant.
$\overline{\text{DE}}$	Input/Output	Input	<b>Debug Event</b> Provides a way to enter Debug mode from an external command controller (as input) or to acknowledge that the chip has entered Debug mode (as output). When asserted as an input, $\overline{\text{DE}}$ causes the DSP56300 core to finish the current instruction, save the instruction pipeline information, enter Debug mode, and wait for commands from the debug serial input line. When a debug request or a breakpoint condition cause the chip to enter Debug mode $\overline{\text{DE}}$ is asserted as an output for three clock cycles. $\overline{\text{DE}}$ has an internal pull-up resistor.  $\overline{\text{DE}}$ is not a standard part of the JTAG Test Access Port (TAP) Controller. It connects to the OnCE module to initiate Debug mode directly or to provide a direct external indication that the chip has entered the Debug mode. All other interface with the OnCE module must occur through the JTAG port. This input is 5 V tolerant.

# Memory Configuration

Like all members of the DSP56300 core family, the DSP56309 addresses three sets of  $16\text{ M} \times 24\text{-bit}$  memory *internally*: program, X data, and Y data. Each of these memory spaces includes both internal and external memory (accessed through the external memory interface). The DSP56309 is extremely flexible because it has several modes to allocate internal memory between the program memory and the two data memory spaces. You can also configure it to operate in a special sixteen-bit compatibility mode that allows the chip to use DSP56000 object code without any change; this can result in higher performance of existing code for applications that do not require a larger address space. This section provides detailed information on each of these memory spaces.

## 3.1 Program Memory Space

Program memory space consists of the following:

- Internal program RAM (20 K by default)
- Instruction cache (optional, 1 K) formed from program RAM. When enabled, the memory addresses used by the internal cache memory are switched to external memory. The internal memory in this address range switches to cache-only mode and is not available via direct addressing when cache is enabled. In systems using Instruction Cache, always enable the cache ( $CE = 1$ ) before loading code into internal program memory; this prevents the condition in which code loaded into program memory before cache is enabled “disappears” after cache is enabled.
- Off-chip memory expansion (optional, as much as 64 K in 16-bit mode or 256 K in 24-bit mode using the 18 external address lines or 4 M using the external address lines and the four address attribute lines). Refer to the *DSP56300 Family Manual*, especially **Chapter 9, External Memory Interface (Port A)**, for details on using the external memory interface to access external program memory.
- Bootstrap program ROM ( $192 \times 24\text{-bit}$ )

**Note:** Program memory space at locations  $\$FF00C0\text{--}\$FFFFFF$  is reserved and should not be accessed.

### 3.1.1 Internal Program Memory

The default internal program memory consists of a 24-bit-wide, high-speed, SRAM occupying the lowest 20 K (default), 19 K, 24 K, or 24 K locations in program memory space, depending on the settings of the OMR[MS] and (SR[CE]) bits. **Section 4.3.2, *Operating Mode Register (OMR)***, on page 4-12 provides details on the MS bit. **Section 4.3.1, *Status Register (SR)***, on page 4-7 provides details on the CE bit. The default internal program RAM is organized in 80 banks with 256 locations each (20 K). Setting the MS bit switches eight banks of the X data memory and an additional eight banks of the Y data memory to program memory. Setting the CE bit switches four banks of internal program memory to the Instruction Cache and reassigns its address to external program memory. The memory addresses for the Instruction Cache vary depending on the setting of the MS and CE bits. **Section 3.6** provides a summary of the internal RAM configurations. Refer to the memory maps for detailed information.

### 3.1.2 Memory Switch Modes—Program Memory

Memory switch mode allows reallocation of portions of program RAM to X and Y data RAM. OMR[7] is the memory switch (MS) bit that controls this function, as follows:

- When the MS bit is cleared, program memory consists of the default 20 K × 24-bit memory space described in the previous section. In this default mode, the lowest external program memory location is \$5000. If the CE bit is set, the program memory consists of the lowest 19 K × 24-bits of memory space.
- When the MS bit is set, the highest 2 K × 24-bit portion of both the X data memory and the Y data memory is switched to internal program memory, yielding a total of 24 K × 24-bit program memory space. In this mode, the lowest external program memory location is \$6000. If the CE bit is set and the MS bit is set, the program memory is 23 K × 24-bits.

### 3.1.3 Instruction Cache

In program memory space, the location of the internal Instruction Cache (when enabled by the CE bit) varies depending on the setting of the MS bit, as noted above. Refer to the memory maps for detailed address information. When the instruction cache is enabled (that is, the SR[CE] bit is set), 1 K program words switch to instruction cache and are not accessible via addressing; the address range switches to external program memory.

### 3.1.4 Program Bootstrap ROM

The program memory space occupying locations \$FF0000–\$FF00BF includes the internal bootstrap ROM. This ROM contains the 192-word DSP56309 bootstrap program.

## 3.2 X Data Memory Space

The X data memory space consists of the following:

- Internal X data memory (7 K by default or 5 K)
- Internal I/O space (upper 128 locations)
- Optional off-chip memory expansion (up to 64 K in 16-bit mode, or 256 K in 24-bit mode using the 18 external address lines, or 4 M using the external address lines and the four address attribute lines). Refer to the *DSP56300 Family Manual*, especially **Chapter 9**, *External Memory Interface (Port A)*, for details on using the external memory interface to access external X data memory.

**Note:** The X memory space at \$FF0000–\$FFEFF is reserved and should not be accessed.

### 3.2.1 Internal X Data Memory

The default internal X data RAM is a 24-bit-wide, internal, static memory occupying the lowest 7 K locations (\$00000–\$01BFF) in X memory space. The internal X data RAM is organized into 28 banks with 256 locations each. Available X data memory space is decreased by 2 K through reallocation to program memory using the memory switch mode described in the next section.

### 3.2.2 Memory Switch Modes—X Data Memory

Memory switch mode reallocates portions of X and Y data memory to program RAM. Bit 7 in the OMR is the MS bit that controls this function, as follows:

- When the MS bit is cleared, the X data memory consists of the default 7 K × 24-bit memory space described in the previous section. In this default mode, the lowest external X data memory location is \$1C00.
- When the MS bit is set, a portion of the higher locations of the X and Y data memory is switched to internal program memory. The X data memory in this mode consists of a 5 K × 24-bit memory space. In this mode, the lowest external X data memory location is \$1400.

### 3.2.3 Internal I/O Space—X Data Memory

One part of the internal peripheral registers and some of the DSP56309 core registers occupy the top 128 locations of the X data memory (\$FFFF80–\$FFFFFF). This area is referred to as the internal X I/O space and it can be accessed by **move**, **movep** instructions and by bit-oriented instructions (**bchg**, **bclr**, **bset**, **btst**, **brclr**, **brset**, **bsclr**, **bset**, **jclr**, **jset**, **jsclr**, and **jsset**). The contents of the internal X I/O memory space are listed in **Appendix A**, *Bootstrap Program*.

### 3.3 Y Data Memory Space

The Y data memory space consists of the following:

- Internal Y data memory (7 K by default or 5 K)
- External I/O space (upper 128 locations)
- Optional off-chip memory expansion (up to 64 K in 16-bit mode, or 256 K in 24-bit mode using the 18 external address lines, or 4 M using the external address lines and the four address attribute lines). Refer to the *DSP56300 Family Manual*, especially **Chapter 9**, *External Memory Interface (Port A)*, for details on using the external memory interface to access external Y data memory.

**Note:** The Y memory space at \$FF0000–\$FFEFF is reserved and should not be accessed.

#### 3.3.1 Internal Y Data Memory

The default internal Y data RAM is a 24-bit-wide, internal, static memory occupying the lowest 7 K (\$0000–\$1BFF) of Y memory space. The internal Y data RAM is organized into 28 banks with 256 locations each. Available Y data memory space is decreased by 2 K through reallocation of program memory using the memory switch mode described in the next section.

#### 3.3.2 Memory Switch Modes—Y Data Memory

Memory switch mode reallocates portions of X and Y data memory to internal program RAM. Bit 7 in the OMR is the MS bit that controls this function, as follows:

- When the MS bit is cleared, the Y data memory consists of the default 7 K × 24-bit memory space described in the previous section. In this default mode, the lowest external Y data memory location is \$1C00.
- When the MS bit is set, a portion of the higher locations of X and Y data memory are shifted to internal program RAM. The Y data memory in this mode consists of a 5 K × 24-bit memory space. In this mode, the lowest external Y data memory location is \$1400.

#### 3.3.3 External I/O Space—Y Data Memory

The off-chip peripheral registers should be mapped into the top 128 locations of Y data memory (\$FFFF80–\$FFFFFF in the 24-bit Address mode or \$FF80–\$FFFF in the 16-bit Address mode) to take advantage of the Move Peripheral Data (MOVEP) instruction and the bit-oriented instructions (BCHG, BCLR, BSET, BTST, BRCLR, BRSET, BSCLR, BSSET, JCLR, JSET, JSCLR, and JSSET).



### 3.4 Dynamic Memory Configuration Switching

Do not change the OMR[MS] bit when the SR[CE] bit is set. The Instruction Cache occupies the top 1 K of what is otherwise Program RAM, and to switch memory into or out of Program RAM when the cache is enabled can cause conflicts. To change the MS bit when CE is set:

1. Clear CE.
2. Change MS.
3. Set CE.

#### CAUTION

**To ensure that dynamic switching is trouble-free, do not allow any accesses (including instruction fetches) to or from the affected address ranges in program and data memories during the switch cycle.**

Because an interrupt could cause the DSP to fetch instructions out of sequence and might violate the switch condition, special care should be taken in relation to the interrupt vector routines.

#### CAUTION

**Pay special attention when executing a memory switch routine using the OnCE port. Running the switch routine in trace mode, for example, can cause the switch to complete after the MS/MSW bits change while the DSP is in Debug mode. As a result, subsequent instructions may be fetched according to the new memory configuration (after the switch) and thus may execute improperly.**

### 3.5 Sixteen-Bit Compatibility Mode Configuration

The sixteen-bit compatibility (SC) mode allows the DSP56309 to use DSP56000 object code without change. The SC bit (Bit 13 in the SR) is used to switch from the default 24-bit mode to this special 16-bit mode. SC is cleared by reset. You must set this bit to select the SC mode. The address ranges described in the previous sections apply in the SC mode with regard to the reallocation of X and Y data memory to program memory in MS mode, but the maximum addressing ranges are limited to \$FFFF, and all data and program code are 16 bits wide.

## 3.6 RAM Configuration Summary

The RAM configurations for the DSP56309 are listed in **Table 3-1**.

**Table 3-1.** DSP56309 RAM Configurations

Bit Settings		Memory Sizes (in K)			
MS	CE	Program RAM	X data RAM	Y data RAM	Cache
0	0	20	7	7	0
0	1	19	7	7	1
1	0	24	5	5	0
1	1	23	5	5	1

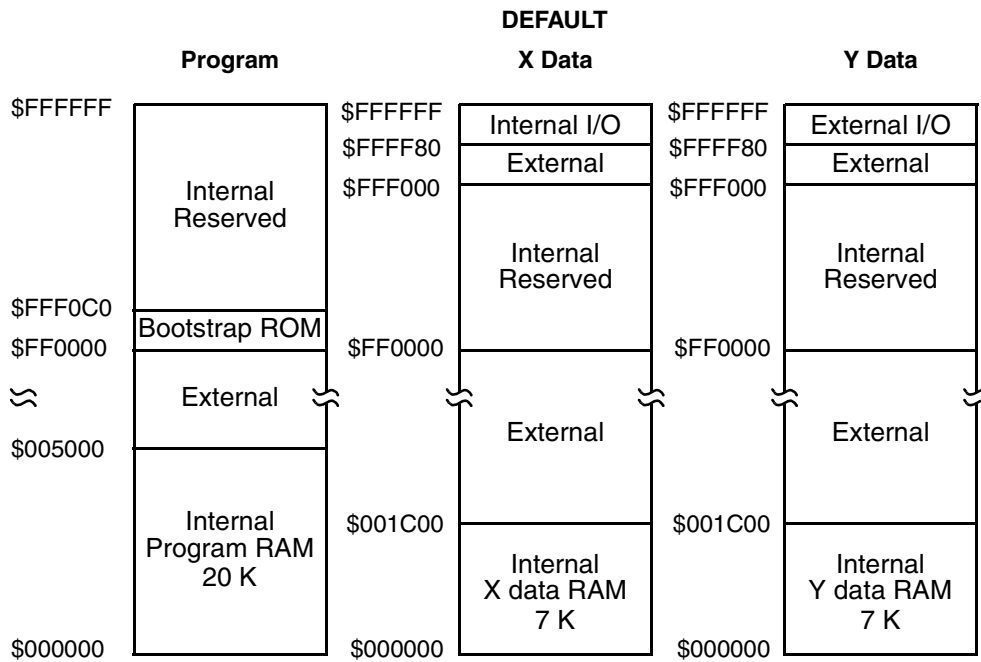
The actual memory locations for Program RAM and the Instruction Cache in the Program memory space are determined by the MS and CE bits, and their addresses are given in **Table 3-2**.

**Table 3-2.** DSP56309 RAM Address Ranges by Configuration

MS	CE	Program RAM Location	Cache Location
0	0	\$0000–\$4FFF	N/A
0	1	\$0000–\$4BFF	\$4C00–\$4FFF (internal location not accessible; address range assigned to external Program Memory)
1	0	\$0000–\$5FFF	N/A
1	1	\$0000–\$5BFF	\$5C00–\$5FFF (internal location not accessible; addressed assigned to external Program Memory)

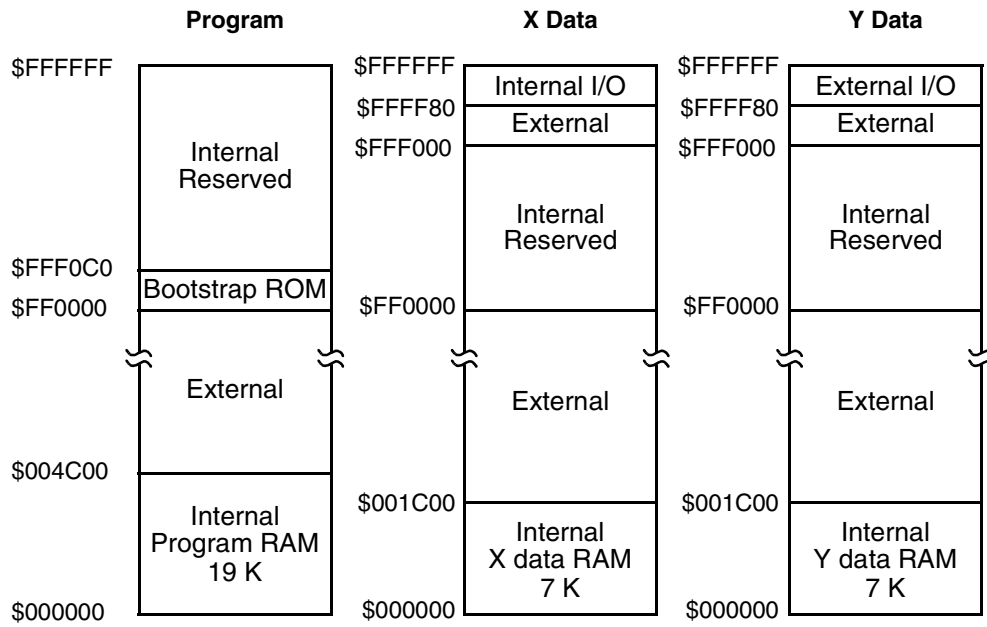
## 3.7 Memory Maps

The following figures describe each of the memory space and RAM configurations defined by the settings of the SC, MS, and CE bits. The figures show the configuration and the table describes the bit settings, memory sizes, and memory locations.



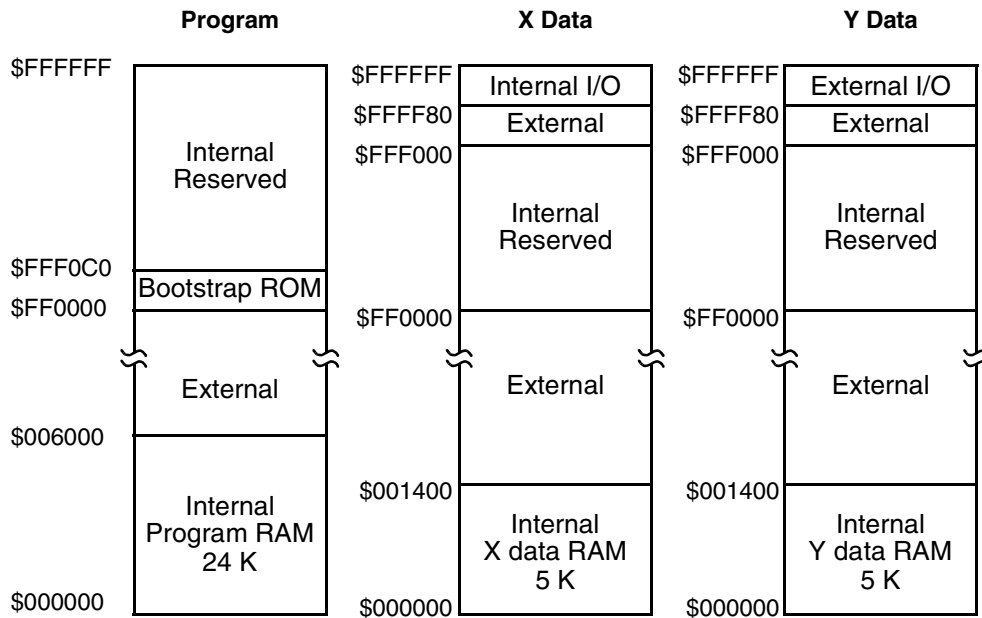
Bit Settings			Memory Configuration				
SC	MS	CE	Program RAM	X Data RAM	Y Data RAM	Cache	Addressable Memory Size
0	0	0	20 K \$0000-\$4FFF	7 K \$0000-\$1BFF	7 K \$0000-\$1BFF	None	16 M

Figure 3-1. Default Settings (0, 0, 0)



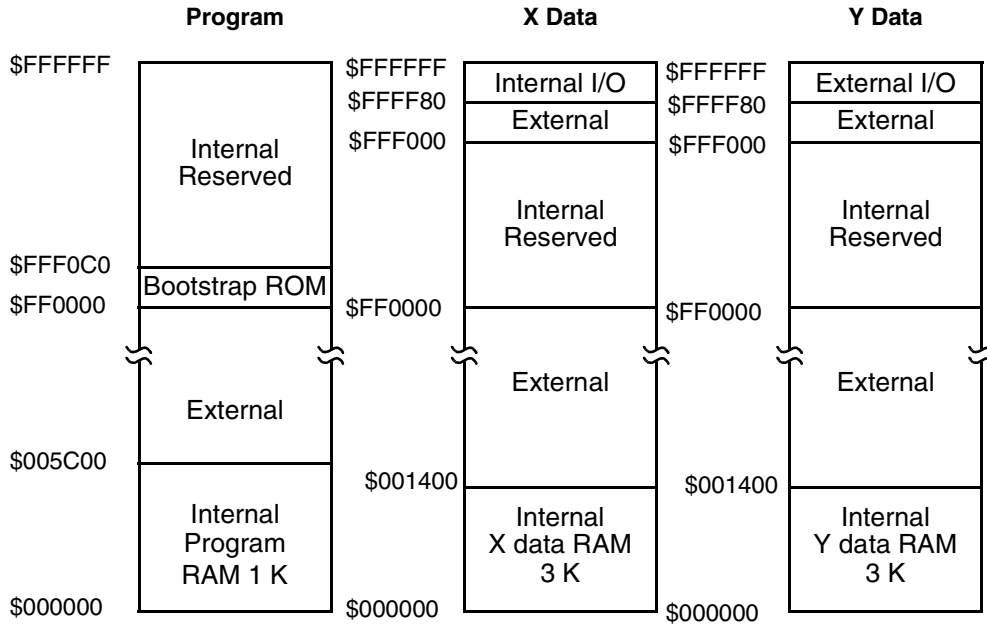
Bit Settings			Memory Configuration				
SC	MS	CE	Program RAM	X Data RAM	Y Data RAM	Cache	Addressable Memory Size
0	0	1	19 K \$0000-\$4BFF	7 K \$0000-\$1BFF	7 K \$0000-\$1BFF	1 K internal not accessible	16 M

Figure 3-2. Instruction Cache Enabled (0, 0, 1)



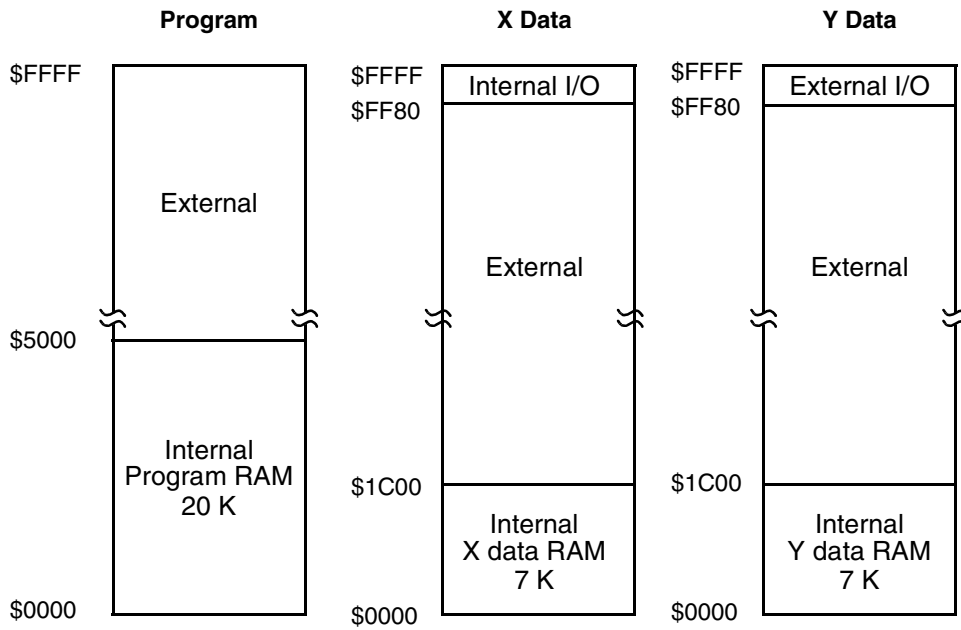
Bit Settings			Memory Configuration				
SC	MS	CE	Program RAM	X Data RAM	Y Data RAM	Cache	Addressable Memory Size
0	1	0	24 K \$0000-\$5FFF	5 K \$0000-\$13FF	5 K \$0000-\$13FF	None	16 M

**Figure 3-3.** Switched Program RAM (0, 1, 0)



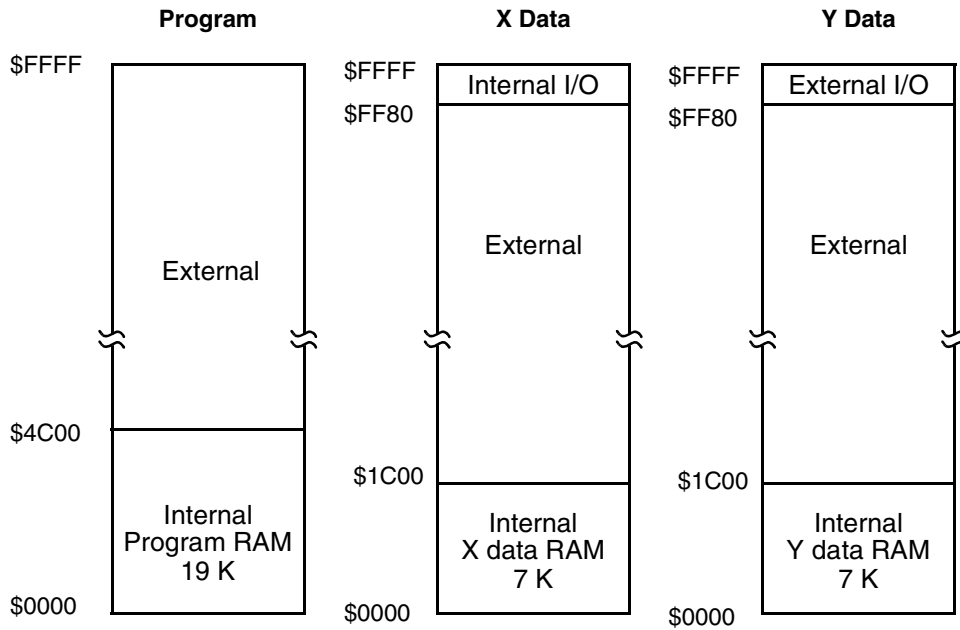
Bit Settings			Memory Configuration				
SC	MS	CE	Program RAM	X Data RAM	Y Data RAM	Cache	Addressable Memory Size
0	1	1	23 K \$0000-\$5BFF	5 K \$0000-\$13FF	5 K \$0000-\$13FF	1 K internal not accessible	16 M

Figure 3-4. Switched Program RAM and Instruction Cache Enabled (0, 1, 1)



Bit Settings			Memory Configuration				
SC	MS	CE	Program RAM	X Data RAM	Y Data RAM	Cache	Addressable Memory Size
1	0	0	20 K \$0000-\$4FFF	7 K \$0000-\$1BFF	7 K \$0000-\$1BFF	None	64 K

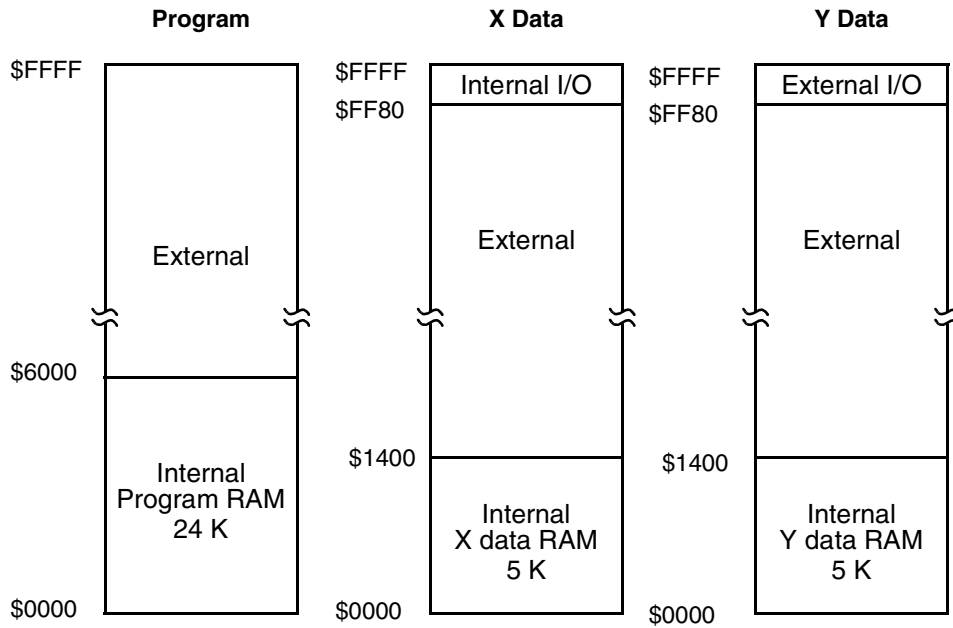
**Figure 3-5.** 16-bit Space with Default RAM (1, 0, 0)



Bit Settings			Memory Configuration				
SC	MS	CE	Program RAM	X Data RAM	Y Data RAM	Cache	Addressable Memory Size
1	0	1	19 K \$0000-\$4BFF	7 K \$000-\$1BFF	7 K \$000-\$1BFF	1 K internal not accessible	64 K

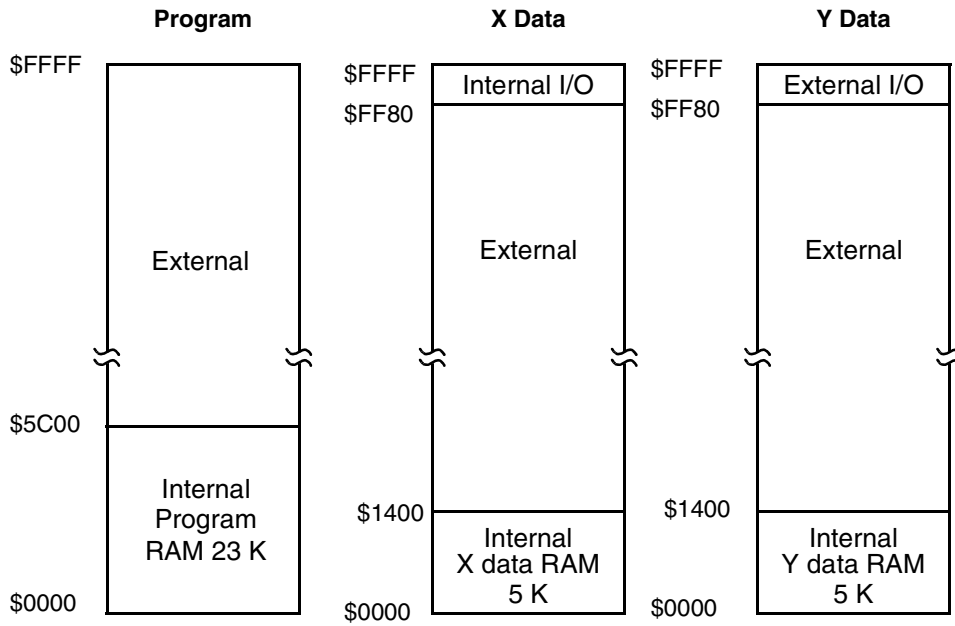
Figure 3-6. 16-bit Space with Instruction Cache Enabled (1, 0, 1)





Bit Settings			Memory Configuration				
SC	MS	CE	Program RAM	X Data RAM	Y Data RAM	Cache	Addressable Memory Size
1	1	0	24 K \$000-\$7FF	5 K \$000-\$BFF	5 K \$000-\$BFF	None	64 K

**Figure 3-7.** 16-bit Space with Switched Program RAM (1, 1, 0)



Bit Settings			Memory Configuration				
SC	MS	CE	Program RAM	X Data RAM	Y Data RAM	Cache	Addressable Memory Size
1	1	1	23 K \$0000-\$5FFF	5 K \$0000-\$13FF	5 K \$0000-\$13FF	1 K internal not accessible	64 K

**Figure 3-8.** 16-bit Space, Switched Program RAM, Instruction Cache Enabled (1, 1, 1)

# Core Configuration

This chapter presents DSP56300 core configuration details specific to the DSP56309, including:

- Operating modes
- Bootstrap program
- Central Processor registers
  - Status register (SR)
  - Operating mode register (OMR)
- Interrupt Priority Registers (IPRC and IPRP)
- PLL control (PCTL) register
- Bus Interface Unit registers
  - Bus Control Register (BCR)
  - DRAM Control Register (DCR)
  - Address Attribute Registers (AAR[3–0])
- DMA Control Registers 5–0 (DCR[5–0])
- Device identification register (IDR)
- JTAG identification register
- JTAG boundary scan register (BSR)

For information on specific registers or modules in the DSP56300 core, refer to the *DSP56300 Family Manual*.

## 4.1 Operating Modes

The DSP56309 begins operation by leaving the Reset state and going into one of eight operating modes. As the DSP56309 exits the Reset state, it loads the values of MODA, MODB, MODC, and MODD into bits MA, MB, MC, and MD of the OMR. These bit settings determine the DSP operating mode, which in turn determines the bootstrap program option the DSP uses to start up. Software can also set the OMR[MA–MD] bits directly. A jump directly to the bootstrap program entry point (\$FF0000) after the OMR bits are set causes the DSP56309 to execute the specified bootstrap program option (except modes \$0 and \$8). **Table 4-1** shows the DSP56309 bootstrap operation modes, the corresponding settings of the external operational mode signal lines (the OMR[MA–MD] bits), and the reset vector address to which the DSP56309 jumps once it leaves the Reset state.

Table 4-1. DSP56309 Operating Modes

Mode	MODD	MODC	MODB	MODA	Reset Vector	Description
0	0	0	0	0	\$C00000	<b>Expanded mode</b> Bypasses the bootstrap ROM, and the DSP56309 starts fetching instructions beginning at address \$C00000. Memory accesses are performed using SRAM memory access type with 31 wait states and no address attributes selected (default). Address \$C00000 is reflected as address \$00000 on Port A signals A[0–17].
1	0	0	0	1	\$FF0000	<b>Bootstrap from byte-wide memory</b> The bootstrap program loads a program RAM segment from consecutive byte-wide P memory locations, starting at P:\$D00000 (bits 7–0). The memory is selected by the Address Attribute AA1 and is accessed with 31 wait states. The EPROM bootstrap code reads 3 bytes specifying the number of program words, 3 bytes specifying the address to start loading the program words, and then 3 bytes for each program word to be loaded. The number of words, the starting address and the program words are read LSB first followed by the mid and then the MSB. The program words are condensed into 24-bit words and stored in contiguous PRAM memory locations from the specified starting address. Program execution starts from the same address where loading started.
2	0	0	1	0	\$FF0000	<b>Bootstrap through SCI</b> The DSP is configured to load the program RAM from the SCI interface. The number of program words to be loaded and the starting address must be specified. The SCI bootstrap code expects to receive 3 bytes specifying the number of program words, 3 bytes specifying the address to start loading the program words and then 3 bytes for each program word to be loaded. The number of words, the starting address and the program words are received least significant byte first followed by the mid and then by the most significant byte. After receiving the program words, program execution starts in the same address where loading started. The SCI is programmed to work in asynchronous mode with 8 data bits, 1 stop bit and no parity. The clock source is external and the clock frequency must be 16x the baud rate. After each byte is received, it is echoed back through the SCI transmitter.
3	0	0	1	1	\$FF0000	Reserved
4	0	1	0	0	\$FF0000	<b>HI08 bootstrap in ISA/DSP563xx mode</b> The HI08 is configured to load the program RAM from the Host Interface programmed to operate in the ISA mode. The HOST ISA bootstrap code expects to read a 24-bit word specifying the number of program words, a 24-bit word specifying the address to start loading the program words and then a 24-bit word for each program word to be loaded. The program words are stored in contiguous P RAM memory locations starting at the specified starting address. After reading the program words, program execution starts from the same address where loading started. The Host Interface bootstrap load program may be stopped by setting the Host Flag 0 (HF0). This starts execution of the loaded program from the specified starting address.

Table 4-1. DSP56309 Operating Modes (Continued)

Mode	MODD	MODC	MODB	MODA	Reset Vector	Description
5	0	1	0	1	\$FF0000	<b>HI08 bootstrap in HC11 nonmultiplexed mode</b> The bootstrap program sets the host interface to interface with the Freescale HC11 microcontroller through the HI08. The HOST HC11 bootstrap code expects to read a 24-bit word specifying the number of program words, a 24-bit word specifying the address to start loading the program words and then a 24-bit word for each program word to be loaded. The program words are stored in contiguous P RAM memory locations starting at the specified starting address. After reading the program words, program execution starts from the same address where loading started. The Host Interface bootstrap load program may be stopped by setting the Host Flag 0 (HF0). This starts execution of the loaded program from the specified starting address.
6	0	1	1	0	\$FF0000	<b>HI08 bootstrap in 8051 multiplexed bus mode</b> The bootstrap program sets the host interface to interface with the Intel 8051 bus through the HI08. The HI08 pin configuration is optimized for connection to the Intel 8051 multiplexed bus, in double-strobe pin configuration. The HOST 8051 bootstrap code expects accesses that are byte wide. The HOST 8051 bootstrap code expects to read 3 bytes forming a 24-bit word specifying the number of program words, 3 bytes forming a 24-bit word specifying the address to start loading the program words and then 3 bytes forming 24-bit words for each program word to be loaded. The program words are stored in contiguous PRAM memory locations starting at the specified starting address. After reading the program words, program execution starts from the same address where loading started. The Host Interface bootstrap load program may be stopped by setting the Host Flag 0 (HF0). This starts execution of the loaded program from the specified starting address. The base address of the HI08 in multiplexed mode is \$80 and is not modified by the bootstrap code. All the address lines are enabled and should be connected accordingly.
7	0	1	1	1	\$FF0000	<b>HI08 bootstrap in MC68302 bus mode</b> The bootstrap program loads the program RAM from the Host Interface programmed to operate in the MC68302 bus mode, in single-strobe pin configuration. The HOST MC68302 bootstrap code expects accesses that are byte wide. The HOST MC68302 bootstrap code expects to read 3 bytes forming a 24-bit word specifying the number of program words, 3 bytes forming a 24-bit word specifying the address to start loading the program words and then 3 bytes forming 24-bit words for each program word to be loaded. The program words are stored in contiguous PRAM memory locations starting at the specified starting address. After reading the program words, program execution starts from the same address where loading started. The Host Interface bootstrap load program may be stopped by setting the Host Flag 0 (HF0). This starts execution of the loaded program from the specified starting address.

Table 4-1. DSP56309 Operating Modes (Continued)

Mode	MODD	MODC	MODB	MODA	Reset Vector	Description
8	1	0	0	0	\$008000	<b>Expanded mode</b> Bypasses the bootstrap ROM, and the DSP56309 starts fetching instructions beginning at address \$008000. Memory accesses are performed using SRAM memory access type with 31 wait states and no address attributes selected.
9	1	0	0	1	\$FF0000	<b>Bootstrap from byte-wide memory</b> The bootstrap program it loads a program RAM segment from consecutive byte-wide P memory locations, starting at P:\$D00000 (bits 7-0). The memory is selected by the Address Attribute AA1 and is accessed with 31 wait states. The EPROM bootstrap code expects to read 3 bytes specifying the number of program words, 3 bytes specifying the address to start loading the program words and then 3 bytes for each program word to be loaded. The number of words, the starting address and the program words are read least significant byte first followed by the mid and then by the most significant byte. The program words are condensed into 24-bit words and stored in contiguous PRAM memory locations starting at the specified starting address. After reading the program words, program execution starts from the same address where loading started.
A	1	0	1	0	\$FF0000	<b>Bootstrap through SCI</b> The DSP is configured to load the program RAM from the SCI interface. The number of program words to be loaded and the starting address must be specified. The SCI bootstrap code expects to receive 3 bytes specifying the number of program words, 3 bytes specifying the address to start loading the program words and then 3 bytes for each program word to be loaded. The number of words, the starting address and the program words are received least significant byte first followed by the mid and then by the most significant byte. After receiving the program words, program execution starts in the same address where loading started. The SCI is programmed to work in asynchronous mode with 8 data bits, 1 stop bit and no parity. The clock source is external and the clock frequency must be 16x the baud rate. After each byte is received, it is echoed back through the SCI transmitter.
B	1	0	1	1	\$FF0000	Reserved
C	1	1	0	0	\$FF0000	<b>HI08 bootstrap in ISA/DSP563xx mode</b> The HI08 is configured to load the program RAM from the Host Interface programmed to operate in the ISA mode. The HOST ISA bootstrap code expects to read a 24-bit word specifying the number of program words, a 24-bit word specifying the address to start loading the program words and then a 24-bit word for each program word to be loaded. The program words are stored in contiguous P RAM memory locations starting at the specified starting address. After reading the program words, program execution starts from the same address where loading started. The Host Interface bootstrap load program may be stopped by setting the Host Flag 0 (HF0). This starts execution of the loaded program from the specified starting address.

Table 4-1. DSP56309 Operating Modes (Continued)

Mode	MODD	MODC	MODB	MODA	Reset Vector	Description
D	1	1	0	1	\$FF0000	<b>HI08 bootstrap in HC11 nonmultiplexed mode</b> The bootstrap program sets the host interface to interface with the Freescale HC11 microcontroller through the HI08. The HOST HC11 bootstrap code expects to read a 24-bit word specifying the number of program words, a 24-bit word specifying the address to start loading the program words and then a 24-bit word for each program word to be loaded. The program words are stored in contiguous PRAM memory locations starting at the specified starting address. After reading the program words, program execution starts from the same address where loading started. The Host Interface bootstrap load program may be stopped by setting the Host Flag 0 (HF0). This starts execution of the loaded program from the specified starting address.
E	1	1	1	0	\$FF0000	<b>HI08 bootstrap in 8051 multiplexed bus mode</b> The bootstrap program sets the host interface to interface with the Intel 8051 bus through the HI08. The HI08 pin configuration is optimized for connection to the Intel 8051 multiplexed bus, in double-strobe pin configuration. The HOST 8051 bootstrap code expects accesses that are byte wide. The HOST 8051 bootstrap code expects to read 3 bytes forming a 24-bit word specifying the number of program words, 3 bytes forming a 24-bit word specifying the address to start loading the program words and then 3 bytes forming 24-bit words for each program word to be loaded. The program words are stored in contiguous PRAM memory locations starting at the specified starting address. After reading the program words, program execution starts from the same address where loading started. The Host Interface bootstrap load program may be stopped by setting the Host Flag 0 (HF0). This starts execution of the loaded program from the specified starting address. The base address of the HI08 in multiplexed mode is 0x80 and is not modified by the bootstrap code. All the address lines are enabled and should be connected accordingly.
F	1	1	1	1	\$FF0000	<b>HI08 bootstrap in MC68302 bus mode</b> The bootstrap program loads the program RAM from the Host Interface programmed to operate in the MC68302 bus mode, in single-strobe pin configuration. The HOST MC68302 bootstrap code expects accesses that are byte wide. The HOST MC68302 bootstrap code expects to read 3 bytes forming a 24-bit word specifying the number of program words, 3 bytes forming a 24-bit word specifying the address to start loading the program words and then 3 bytes forming 24-bit words for each program word to be loaded. The program words are stored in contiguous PRAM memory locations starting at the specified starting address. After reading the program words, program execution starts from the same address where loading started. The Host Interface bootstrap load program may be stopped by setting the Host Flag 0 (HF0). This starts execution of the loaded program from the specified starting address.

## 4.2 Bootstrap Program

The bootstrap program is factory-programmed in an internal 192-word by 24-bit bootstrap ROM located in program memory space at locations \$FF0000–\$FF00BF. The bootstrap program can load any program RAM segment from an external byte-wide EPROM, the SCI, or the host port. The bootstrap program code is listed in **Appendix 4**, *Core Configuration*.

Upon exit from the Reset state, the DSP56309 samples the MODA–MODD signal lines and loads their values into OMR[MA–MD]. The mode input signals (MODA–MODD) and the resulting MA, MB, MC, and MD bits determine which bootstrap mode the DSP56309 enters (see **Table 4-1**).

**Note:** To stop the bootstrap in any HI08 bootstrap mode, set the Host Flag 0 (HF0). The loaded user program begins executing from the specified starting address.

You can invoke the bootstrap program options (except modes \$0 and \$8) at any time by writing the appropriate values to the MA, MB, MC, and MD bits in the OMR and jumping to the bootstrap program entry point, \$FF0000. Software can set the mode selection bits directly in the OMR. Bootstrap modes 0 and 8 are the normal DSP56309 functioning modes. The other bootstrap modes select different specific bootstrap loading source devices. Refer to **Appendix A**, *Bootstrap Program* for details on the bootstrap program.

In these modes, the bootstrap program expects the following data sequence when downloading the user program through an external port:

1. Three bytes that specify the number of (24-bit) program words to load.
2. Three bytes that specify the (24-bit) start address where the user program loads in the DSP56309 program memory.
3. The user program (three bytes for each 24-bit program word).

**Note:** The three bytes for each data sequence are loaded LSB first.

When the bootstrap program finishes loading the specified number of words, it jumps to the specified starting address and executes the loaded program.

## 4.3 Central Processor Unit (CPU) Registers

Two CPU registers must be configured to initialize operation. The Status Register (SR) selects various arithmetic processing protocols and contains several status reporting flag bits. The Operating Mode Register (OMR) configures several system operating modes and characteristics.




### 4.3.1 Status Register (SR)

The Status Register (SR) (**Figure 4-1**) is a 24-bit register that indicates the current system state of the processor and the results of previous arithmetic computations. The SR is pushed onto the system stack when program looping is initialized or a **jsr** is performed, including long interrupts. The SR consists of the following three special-purpose 8-bit control registers:

- *Extended Mode Register (EMR) (SR[23–16]) and Mode Register (MR) (SR[15–8]).*  
These special-purpose registers define the current system state of the processor. The bits in both registers are affected by hardware reset, exception processing, **enddo** (end current **do** loop) instructions, **rti** (return from interrupt) instructions, and **trap** instructions. In addition, the EMR bits are affected by instructions that specify SR as their destination (for example, **do forever** instructions, **brkcc** instructions, and **movec**). During hardware reset, all EMR bits are cleared. The MR register bits are affected by **do** instructions, and instructions that directly reference the MR (for example, **andi**, **ori**, or instructions, such as **movec**, that specify SR as the destination). During processor reset, the interrupt mask bits are set and all other bits are cleared.
- *Condition Code Register (CCR) (SR[7–0]).* Defines the results of previous arithmetic computations. The CCR bits are affected by Data Arithmetic Logic Unit (Data ALU) operations, parallel move operations, instructions that directly reference the CCR (for example, **ori** and **andi**), and instructions that specify SR as a destination (for example, **movec**). Parallel move operations affect only the S and L bits of the CCR. During processor reset, all CCR bits are cleared.
- The definition of the three 8-bit registers within the SR is primarily for the purpose of compatibility with other Freescale DSPs. Bit definitions in the following paragraphs identify the bits within the SR and not within the subregister.

Extended Mode Register (EMR)								Mode Register (MR)								Condition Code Register (CCR)							
23	22	21	20	19	18	17	16	15	14	13	12	11	10	9	8	7	6	5	4	3	2	1	0
CP[1–0]	RM	SM	CE		SA	FV		LF	DM	SC		S[1–0]	I[1–0]			S	L	E	U	N	Z	V	C
<b>Reset:</b>																							
1	1	0	0	0	0	0	0	0	0	0	0	0	0	1	1	0	0	0	0	0	0	0	0

 Reserved bit. Read as zero; write to zero for future compatibility

**Figure 4-1.** Status Register (SR)

Table 4-2. Status Register Bit Definitions

Bit Number	Bit Name	Reset Value	Description																																
23–22	CP[1–0]	11	<p><b>Core Priority</b> Under control of the CDP[1–0] bits in the OMR, the CP bits specify the priority of core accesses to external memory. These bits are compared against the priority bits of the active DMA channel. If the core priority is greater than the DMA priority, the DMA waits for a free time slot on the external bus. If the core priority is less than the DMA priority, the core waits for a free time slot on the external bus. If the core priority equals the DMA priority, the core and DMA access the external bus in a round robin pattern (for example, ... P, X, Y, DMA, P, X, Y, ...).</p> <table border="1"> <thead> <tr> <th>Priority Mode</th> <th>Core Priority</th> <th>DMA Priority</th> <th>OMR (CDP[1-0])</th> <th>SR (CP[1–0])</th> </tr> </thead> <tbody> <tr> <td rowspan="4">Dynamic</td> <td>0 (Lowest)</td> <td rowspan="4">Determined by DCRn (DPR[1–0]) for active DMA channel</td> <td>00</td> <td>00</td> </tr> <tr> <td>1</td> <td>00</td> <td>01</td> </tr> <tr> <td>2</td> <td>00</td> <td>10</td> </tr> <tr> <td>3 (Highest)</td> <td>00</td> <td>11</td> </tr> <tr> <td rowspan="3">Static</td> <td colspan="2">core &lt; DMA</td> <td>01</td> <td>xx</td> </tr> <tr> <td colspan="2">core = DMA</td> <td>10</td> <td>xx</td> </tr> <tr> <td colspan="2">core &gt; DMA</td> <td>11</td> <td>xx</td> </tr> </tbody> </table>	Priority Mode	Core Priority	DMA Priority	OMR (CDP[1-0])	SR (CP[1–0])	Dynamic	0 (Lowest)	Determined by DCRn (DPR[1–0]) for active DMA channel	00	00	1	00	01	2	00	10	3 (Highest)	00	11	Static	core < DMA		01	xx	core = DMA		10	xx	core > DMA		11	xx
			Priority Mode	Core Priority	DMA Priority	OMR (CDP[1-0])	SR (CP[1–0])																												
			Dynamic	0 (Lowest)	Determined by DCRn (DPR[1–0]) for active DMA channel	00	00																												
				1		00	01																												
				2		00	10																												
				3 (Highest)		00	11																												
			Static	core < DMA		01	xx																												
core = DMA		10		xx																															
core > DMA		11		xx																															
21	RM	0	<p><b>Rounding Mode</b> Selects the type of rounding performed by the Data ALU during arithmetic operations. If RM is cleared, convergent rounding is selected. If RM is set, two's-complement rounding is selected.</p>																																
20	SM	0	<p><b>Arithmetic Saturation Mode</b> Selects automatic saturation on 48 bits for the results going to the accumulator. This saturation is performed by a special circuit inside the MAC unit. The purpose of this bit is to provide an Arithmetic Saturation mode for algorithms that do not recognize or cannot take advantage of the extension accumulator.</p>																																
19	CE	0	<p><b>Cache Enable</b> Enables/disables the instruction cache controller. If CE is set, the cache is enabled, and instructions are cached into and fetched from the internal Program RAM. If CE is cleared, the cache is disabled and the DSP56300 core fetches instructions from external or internal program memory, according to the memory space table of the specific DSP56300 core-based device. <b>Note:</b> To ensure proper operation, do not clear Cache Enable mode while Burst mode is enabled (OMR[BE] is set).</p>																																
18		0	Reserved. Write to zero for future compatibility.																																
17	SA	0	<p><b>Sixteen-Bit Arithmetic Mode</b> Affects data width functionality, enabling the Sixteen-bit Arithmetic mode of operation. When SA is set, the core uses 16-bit operations instead of 24-bit operations. In this mode, 16-bit data is right-aligned in the 24-bit memory locations, registers, and 24-bit register portions. Shifting, limiting, rounding, arithmetic instructions, and moves are performed accordingly. For details on Sixteen-Bit Arithmetic mode, consult the <i>DSP56300 Family Manual</i>.</p>																																

Table 4-2. Status Register Bit Definitions (Continued)

Bit Number	Bit Name	Reset Value	Description
16	FV	0	<p><b>DO FOREVER Flag</b> Set when a DO FOREVER loop executes. The FV flag, like the LF flag, is restored from the stack when a DO FOREVER loop terminates. Stacking and restoring the FV flag when initiating and exiting a DO FOREVER loop, respectively, allow program loops to be nested. When returning from the long interrupt with an RTI instruction, the system stack is pulled and the value of the FV bit is restored.</p>
15	LF	0	<p><b>Do Loop Flag</b> When a program loop is in progress, enables the detection of the end of the loop. The LF is restored from stack when a program loop terminates. Stacking and restoring the LF when initiating and exiting a program loop, respectively, allow program loops to be nested. When returning from the long interrupt with an RTI instruction, the System Stack is pulled and the LF bit value is restored.</p>
14	DM	0	<p><b>Double-Precision Multiply Mode</b> Enables four multiply/MAC operations to implement a double-precision algorithm that multiplies two 48-bit operands with a 96-bit result. Clearing the DM bit disables the mode.</p> <p>The Double-Precision Multiply mode is supported to maintain object code compatibility with devices in the DSP56000 family. For a more efficient way of executing double precision multiply, refer to the chapter on the Data Arithmetic Logic Unit in the <i>DSP56300 Family Manual</i>.</p> <p>In Double-Precision Multiply mode, the behavior of the four specific operations listed in the double-precision algorithm is modified. Therefore, do not use these operations (with those specific register combinations) in Double-Precision Multiply mode for any purpose other than the double precision multiply algorithm. All other Data ALU operations (or the four listed operations, but with other register combinations) can be used.</p> <p>The double-precision multiply algorithm uses the Y0 Register at all stages. Therefore, do not change Y0 when running the double-precision multiply algorithm. If the Data ALU must be used in an interrupt service routine, Y0 should be saved with other Data ALU registers to be used and restored before the interrupt routine terminates.</p>
13	SC	0	<p><b>Sixteen-Bit Compatibility Mode</b> Affects addressing functionality, enabling full compatibility with object code written for the DSP56000 family. When SC is set, MOVE operations to/from any of the following PCU registers clear the eight MSBs of the destination: LA, LC, SP, SSL, SSH, EP, SZ, VBA and SC. If the source is either the SR or OMR, then the eight MSBs of the destination are also cleared. If the destination is either the SR or OMR, then the eight MSBs of the destination are left unchanged. To change the value of one of the eight MSBs of the SR or OMR, clear SC.</p> <p>SC also affects the contents of the Loop Counter Register. If SC is cleared (normal operation), then a loop count value of zero causes the loop body to be skipped, and a loop count value of \$FFFFFF causes the loop to execute the maximum number of <math>2^{24} - 1</math> times. If the SC bit is set, a loop count value of zero causes the loop to execute <math>2^{16}</math> times, and a loop count value of \$FFFFFF causes the loop to execute <math>2^{16} - 1</math> times.</p> <p><b>Note:</b> Due to pipelining, a change in the SC bit takes effect only after three instruction cycles. Insert three NOP instructions after the instruction that changes the value of this bit to ensure proper operation.</p>

Table 4-2. Status Register Bit Definitions (Continued)

Bit Number	Bit Name	Reset Value	Description																													
12		0	Reserved. Write to 0 for future compatibility.																													
11–10	S[1–0]	0	<p><b>Scaling Mode</b> Specify the scaling to be performed in the Data ALU shifter/limiter and the rounding position in the Data ALU MAC unit. The Shifter/limiter Scaling mode affects data read from the A or B accumulator registers out to the X-data bus (XDB) and Y-data bus (YDB). Different scaling modes can be used with the same program code to allow dynamic scaling. One application of dynamic scaling is to facilitate block floating-point arithmetic. The scaling mode also affects the MAC rounding position to maintain proper rounding when different portions of the accumulator registers are read out to the XDB and YDB. Scaling mode bits are cleared at the start of a long Interrupt Service Routine and during a hardware reset.</p> <table border="1"> <thead> <tr> <th>S1</th> <th>S0</th> <th>Scaling Mode</th> <th>Rounding Bit</th> <th>S Equation</th> </tr> </thead> <tbody> <tr> <td>0</td> <td>0</td> <td>No scaling</td> <td>23</td> <td>S = (A46 XOR A45) OR (B46 XOR B45) OR S (previous)</td> </tr> <tr> <td>0</td> <td>1</td> <td>Scale down</td> <td>24</td> <td>S = (A47 XOR A46) OR (B47 XOR B46) OR S (previous)</td> </tr> <tr> <td>1</td> <td>0</td> <td>Scale up</td> <td>22</td> <td>S = (A45 XOR A44) OR (B45 XOR B44) OR S (previous)</td> </tr> <tr> <td>1</td> <td>1</td> <td>Reserved</td> <td>—</td> <td>S undefined</td> </tr> </tbody> </table>					S1	S0	Scaling Mode	Rounding Bit	S Equation	0	0	No scaling	23	S = (A46 XOR A45) OR (B46 XOR B45) OR S (previous)	0	1	Scale down	24	S = (A47 XOR A46) OR (B47 XOR B46) OR S (previous)	1	0	Scale up	22	S = (A45 XOR A44) OR (B45 XOR B44) OR S (previous)	1	1	Reserved	—	S undefined
S1	S0	Scaling Mode	Rounding Bit	S Equation																												
0	0	No scaling	23	S = (A46 XOR A45) OR (B46 XOR B45) OR S (previous)																												
0	1	Scale down	24	S = (A47 XOR A46) OR (B47 XOR B46) OR S (previous)																												
1	0	Scale up	22	S = (A45 XOR A44) OR (B45 XOR B44) OR S (previous)																												
1	1	Reserved	—	S undefined																												
9–8	I[1–0]	11	<p><b>Interrupt Mask</b> Reflect the current Interrupt Priority Level (IPL) of the processor and indicate the IPL needed for an interrupt source to interrupt the processor. The current IPL of the processor can be changed under software control. The interrupt mask bits are set during hardware reset, but not during software reset.</p> <table border="1"> <thead> <tr> <th>Priority</th> <th>I1</th> <th>I0</th> <th>Exceptions Permitted</th> <th>Exceptions Masked</th> </tr> </thead> <tbody> <tr> <td>Lowest</td> <td>0</td> <td>0</td> <td>IPL 0, 1, 2, 3</td> <td>None</td> </tr> <tr> <td></td> <td>0</td> <td>1</td> <td>IPL 1, 2, 3</td> <td>IPL 0</td> </tr> <tr> <td></td> <td>1</td> <td>0</td> <td>IPL 2, 3</td> <td>IPL 0, 1</td> </tr> <tr> <td>Highest</td> <td>1</td> <td>1</td> <td>IPL 3</td> <td>IPL 0, 1, 2</td> </tr> </tbody> </table>					Priority	I1	I0	Exceptions Permitted	Exceptions Masked	Lowest	0	0	IPL 0, 1, 2, 3	None		0	1	IPL 1, 2, 3	IPL 0		1	0	IPL 2, 3	IPL 0, 1	Highest	1	1	IPL 3	IPL 0, 1, 2
Priority	I1	I0	Exceptions Permitted	Exceptions Masked																												
Lowest	0	0	IPL 0, 1, 2, 3	None																												
	0	1	IPL 1, 2, 3	IPL 0																												
	1	0	IPL 2, 3	IPL 0, 1																												
Highest	1	1	IPL 3	IPL 0, 1, 2																												
7	S	0	<p><b>Scaling</b> Set when a result moves from accumulator A or B to the XDB or YDB buses (during an accumulator to memory or accumulator to register move) and remains set until explicitly cleared; that is, the S bit is a <i>sticky bit</i>. The logical equations of this bit are dependent on the Scaling mode. The scaling bit is set if the absolute value in the accumulator, before scaling, is <math>\geq 0.25</math> or <math>&lt; 0.75</math>.</p>																													
6	L	0	<p><b>Limit</b> Set if the overflow bit is set or if the data shifter/limiter circuits perform a limiting operation. In Arithmetic Saturation mode, the L bit is also set when an arithmetic saturation occurs in the Data ALU result; otherwise, it is not affected. The L bit is cleared only by a processor reset or by an instruction that specifically clears it (that is, a <i>sticky bit</i>); this allows the L bit to be used as a latching overflow bit. The L bit is affected by data movement operations that read the A or B accumulator registers.</p>																													

Table 4-2. Status Register Bit Definitions (Continued)

Bit Number	Bit Name	Reset Value	Description			
5	E	1	<p><b>Extension</b> Cleared if all the bits of the integer portion of the 56-bit result are all ones or all zeros; otherwise, this bit is set. The Scaling mode defines the integer portion. If the E bit is cleared, then the low-order fraction portion contains all the significant bits; the high-order integer portion is sign extension. In this case, the accumulator extension register can be ignored. If the E bit is set, it indicates that the accumulator extension register is in use.</p>			
			<b>S1</b>	<b>S0</b>	<b>Scaling Mode</b>	<b>Integer Portion</b>
			0	0	No scaling	Bits 55–47
			0	1	Scale down	Bits 55–48
			1	0	Scale up	Bits 5–46
1	1	Reserved	Undefined			
4	U	0	<p><b>Unnormalized</b> Set if the two MSBs of the Most Significant Portion (MSP) of the result are identical; otherwise, this bit is cleared. The MSP portion of the A or B accumulators is defined by the Scaling mode.</p>			
			<b>S1</b>	<b>S0</b>	<b>Scaling Mode</b>	<b>Integer Portion</b>
			0	0	No scaling	$U = \overline{(\text{Bit } 47 \text{ XOR Bit } 46)}$
			0	1	Scale down	$U = \overline{(\text{Bit } 48 \text{ XOR Bit } 47)}$
			1	0	Scale up	$U = \overline{(\text{Bit } 46 \text{ XOR Bit } 45)}$
1	1	Reserved	U undefined			
3	N	0	<p><b>Negative</b> Set if the MSB of the result is set; otherwise, this bit is cleared.</p>			
2	Z	0	<p><b>Zero</b> Set if the result equals zero; otherwise, this bit is cleared.</p>			
1	V	0	<p><b>Overflow</b> Set if an arithmetic overflow occurs in the 56-bit result; otherwise, this bit is cleared. V indicates that the result cannot be represented in the accumulator register (that is, the register overflowed). In Arithmetic Saturation mode, an arithmetic overflow occurs if the Data ALU result is not representable in the accumulator without the extension part (that is, 48-bit accumulator or the 32-bit accumulator in Arithmetic Sixteen-bit mode).</p>			
0	C	0	<p><b>Carry</b> Set if a carry is generated by the MSB resulting from an addition operation. This bit is also set if a borrow is generated in a subtraction operation; otherwise, this bit is cleared. The carry or borrow is generated from Bit 55 of the result. The C bit is also affected by bit manipulation, rotate, and shift instructions.</p>			

### 4.3.2 Operating Mode Register (OMR)


The OMR is a read/write register divided into three byte-sized units. The lowest two bytes (EOM and COM) control the chip's operating mode. The high byte (SCS) controls and monitors the stack extension. The OMR control bits are shown in **Figure 4-2**.

Stack Control/Status (SCS)						Extended Operating Mode (EOM)						Chip Operating Mode (COM)											
23	22	21	20	19	18	17	16	15	14	13	12	11	10	9	8	7	6	5	4	3	2	1	0
			SEN	WRP	EOV	EUN	XYS	ATE	APD	ABE	BRT	TAS	BE	CDP[1-0]	MS	SD		EBD	MD	MC	MB	MA	

Reset:

0	0	0	0	0	0	0	0	0	0	0	0	0	0	1	1	0	0	0	0	*	*	*	*
---	---	---	---	---	---	---	---	---	---	---	---	---	---	---	---	---	---	---	---	---	---	---	---

\* After reset, these bits reflect the corresponding value of the mode input (that is, MODD, MODC, MODB, or MODA, respectively).

 Reserved bit. Read as zero; write to zero for future compatibility

**Figure 4-2.** Operating Mode Register (OMR)

The Enhanced Operating Mode (EOM) and Chip Operating Mode (COM) bytes are affected only by processor reset and by instructions directly referencing the OMR (that is, ANDI, ORI, and other instructions, such as MOVEC, that specify OMR as a destination). The Stack Control/Status (SCS) byte is referenced implicitly by some instructions, such as DO, JSR, and RTI, or directly by the MOVEC instruction. During processor reset, the chip operating mode bits (MD, MC, MB, and MA) are loaded from the external mode select pins MODD, MODC, MODB, and MODA respectively. **Table 4-3** defines the DSP56309 OMR bits.

**Table 4-3.** Operating Mode Register (OMR) Bit Definitions

Bit Number	Bit Name	Reset Value	Description
23–21		0	Reserved. Write to 0 for future compatibility.
20	SEN	0	<b>Stack Extension Enable</b> Enables/disables the stack extension in data memory. If the SEN bit is set, the extension is enabled. Hardware reset clears this bit, so the default out of reset is a disabled stack extension.
19	WRP	0	<b>Stack Extension Wrap Flag</b> Set when copying from the internal hardware stack (System Stack Register file) to the stack extension memory begins. You can use this flag during the debugging phase of the software development to evaluate and increase the speed of software-implemented algorithms. The WRP flag is a <i>sticky bit</i> (that is, cleared only by hardware reset or by an explicit MOVEC operation to the OMR).
18	EOV	0	<b>Stack Extension Overflow Flag</b> Set when a stack overflow occurs in Stack Extended mode. Extended stack overflow is recognized when a push operation is requested while SP = SZ (Stack Size register), and the Extended mode is enabled by the SEN bit. The EOV flag is a <i>sticky bit</i> (that is, cleared only by hardware reset or by an explicit MOVEC operation to the OMR). The transition of the EOV flag from zero to one causes a Priority Level 3 (Non-maskable) stack error exception.

Table 4-3. Operating Mode Register (OMR) Bit Definitions (Continued)

Bit Number	Bit Name	Reset Value	Description
17	EUN	0	<p><b>Stack Extension Underflow Flag</b></p> <p>Set when a stack underflow occurs in Extended Stack mode. Extended stack underflow is recognized when a pull operation is requested, SP = 0, and the SEN bit enables Extended mode. The EUN flag is a <i>sticky bit</i> (that is, cleared only by hardware reset or by an explicit MOVEC operation to the OMR). Transition of the EUN flag from zero to one causes a Priority Level 3 (Non-maskable) stack error exception.</p> <p>NOTE: While the chip is in Extended Stack mode, the UF bit in the SP acts like a normal counter bit.</p>
16	XYS	0	<p><b>Stack Extension XY Select</b></p> <p>Determines whether the stack extension is mapped onto X or Y memory space. If the bit is clear, then the stack extension is mapped onto the X memory space. If the YYS bit is set, the stack extension is mapped to the Y memory space.</p>
15	ATE	0	<p><b>Address Trace Enable</b></p> <p>When set, the Address Trace Enable (ATE) bit enables Address Trace mode. The Address Trace mode is a debugging tool that reflects internal memory accesses at the external bus address.</p>
14	APD	0	<p><b>Address Attribute Priority Disable</b></p> <p>Disables the priority assigned to the Address Attribute signals (AA[0–3]). When APD = 0 (default setting), the four Address Attribute signals each have a certain priority: AA3 has the highest priority, AA0 has the lowest priority. Therefore, only one AA signal can be active at one time. This allows continuous partitioning of external memory; however, certain functions, such as using the AA signals as additional address lines, require the use of additional interface hardware. When APD is set, the priority mechanism is disabled, allowing more than one AA signal to be active simultaneously. Therefore, the AA signals can be used as additional address lines without the need for additional interface hardware. For details on the Address Attribute Registers, see <b>Section 4.6.3, Address Attribute Registers (AAR[0–3])</b>, on page 4-26.</p>
13	ABE	0	<p><b>Asynchronous Bus Arbitration Enable</b></p> <p>Eliminates the setup and hold time requirements for <math>\overline{BB}</math> and <math>\overline{BG}</math>, and substitutes a required non-overlap interval between the deassertion of one <math>\overline{BG}</math> input to a DSP56300 family device and the assertion of a second <math>\overline{BG}</math> input to a second DSP56300 family device on the same bus. When the ABE bit is set, the <math>\overline{BG}</math> and <math>\overline{BB}</math> inputs are synchronized. This synchronization causes a delay between a change in <math>\overline{BG}</math> or <math>\overline{BB}</math> until this change is actually accepted by the receiving device.</p>
12	BRT	0	<p><b>Bus Release Timing</b></p> <p>Selects between fast or slow bus release. If BRT is cleared, a Fast Bus Release mode is selected (that is, no additional cycles are added to the access and <math>\overline{BB}</math> is not guaranteed to be the last Port A pin that is tri-stated at the end of the access). If BRT is set, a Slow Bus Release mode is selected (that is, an additional cycle is added to the access, and <math>\overline{BB}</math> is the last Port A pin that is tri-stated at the end of the access).</p>
11	TAS	0	<p><b><math>\overline{TA}</math> Synchronize Select</b></p> <p>Selects the synchronization method for the input Port A pin—<math>\overline{TA}</math> (Transfer Acknowledge). If TAS is cleared, you are responsible for asserting the <math>\overline{TA}</math> pin in synchrony with the chip clock, as described in the technical data sheet. If TAS is set, the <math>\overline{TA}</math> input pin is synchronized inside the chip, thus eliminating the need for an off-chip synchronizer. Note that the TAS bit has no effect when the <math>\overline{TA}</math> pin is deasserted: you are responsible for deasserting the <math>\overline{TA}</math> pin in synchrony with the chip clock, regardless of the value of TAS.</p>



**Table 4-3. Operating Mode Register (OMR) Bit Definitions (Continued)**

Bit Number	Bit Name	Reset Value	Description	
10	BE	0	<b>Cache Burst Mode Enable</b> Enables/disables Burst mode in the memory expansion port during an instruction cache miss. If the bit is cleared, Burst mode is disabled and only one program word is fetched from the external memory when an instruction cache miss condition is detected. If the bit is set, Burst mode is enabled, and up to four program words are fetched from the external memory when an instruction cache miss is detected.	
9–8	CDP[1–0]	11	<b>Core-DMA Priority</b> Specify the priority of core and DMA accesses to the external bus.	
			00	Determined by comparing status register CP[1–0] to the active DMA channel priority
			01	DMA accesses have higher priority than core accesses
			10	DMA accesses have the same priority as the core accesses
9–8	CDP[1–0]	11	11	DMA accesses have lower priority than the core accesses
7	MS	0	<b>Memory Switch Mode</b> Allows some internal data memory (X, Y, or both) to become part of the chip internal Program RAM. <b>Notes:</b> 1. Program data placed in the Program RAM/Instruction Cache area changes its placement after the OMR[MS] bit is set (that is, the Instruction Cache always uses the highest internal program RAM addresses). 2. To ensure proper operation, place six NOP instructions after the instruction that changes the MS bit. 3. To ensure proper operation, do not set the MS bit while the Instruction Cache is enabled (SR[CE] bit is set).	
6	SD	0	<b>Stop Delay Mode</b> Determines the length of the delay invoked when the core exits the Stop state. The STOP instruction suspends core processing indefinitely until a defined event occurs to restart it. If SD is cleared, a 128 K clock cycle delay is invoked before a STOP instruction cycle continues. However, if SD is set, the delay before the instruction cycle continues is 16 clock cycles. The long delay allows a clock stabilization period for the internal clock to begin oscillating and to stabilize. When a stable external clock is used, the shorter delay allows faster start-up of the DSP56300 core.	
5		0	Reserved. Write to zero for future compatibility.	
4	EBD	0	<b>External Bus Disable</b> Disables the external bus controller to reduce power consumption when external memories are not used. When EBD is set, the external bus controller is disabled and external memory cannot be accessed. When EBD is cleared, the external bus controller is enabled and external access can be performed. Hardware reset clears the EBD bit.	
3–0	MD–MA	*	<b>Chip Operating Mode</b> Indicate the operating mode of the DSP56300 core. On hardware reset, these bits are loaded from the external mode select pins, MODD, MODC, MODB, and MODA, respectively. After the DSP56300 core leaves the Reset state, MD–MA can be changed under program control.	
* The MD–MA bits reflect the corresponding value of the mode input (that is, MODD–MODA), respectively.				



## 4.4 Configuring Interrupts

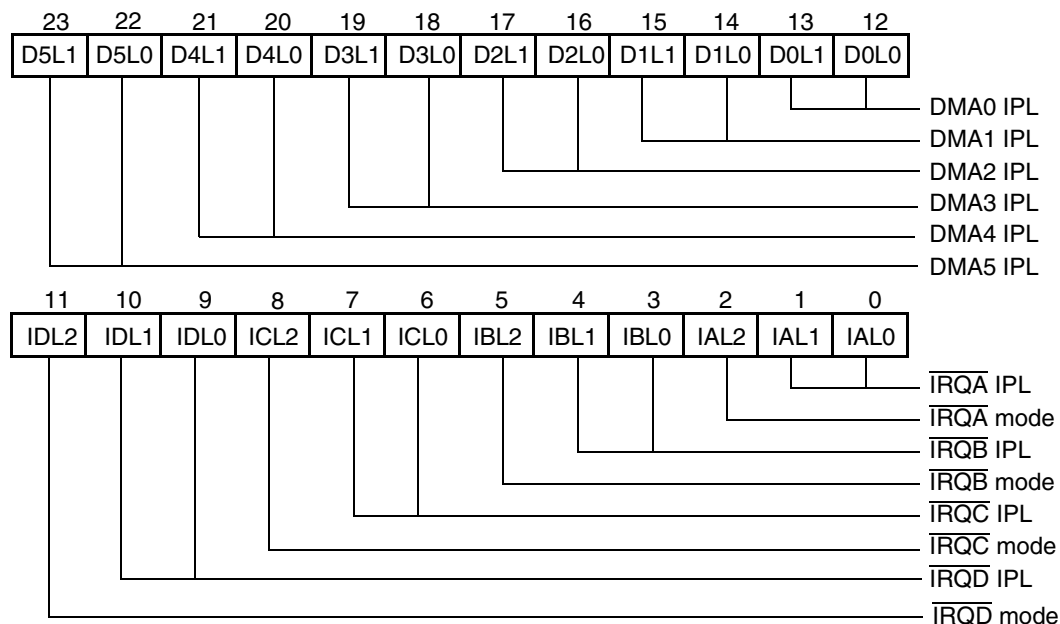
DSP56309 interrupt handling, like that for all DSP56300 family members, is optimized for DSP applications. Refer to the sections describing interrupts in **Chapter 2, Core Architecture Overview**, in the *DSP56300 Family Manual*. Two registers are programmed to configure the interrupt characteristics:

- **Interrupt Priority Register-Core (IPRC).** Configure the priority levels for the core DMA interrupts and the external interrupt lines as well as the interrupt line trigger modes.
- **Interrupt Priority Register-Peripherals (IPRP).** Configure the priority levels for the interrupts used with the internal peripheral devices

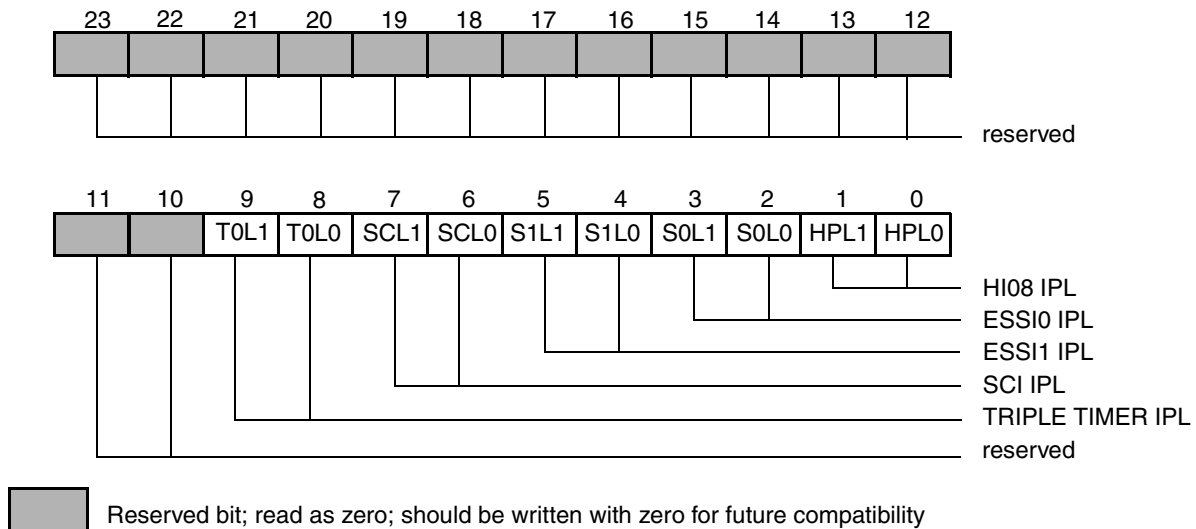
The interrupt table resides in the 256 locations of program memory to which the PCU vector base address (VBA) register points. These locations store the starting instructions of the interrupt handler for each specified interrupt. The memory is programmed by the bootstrap program at start-up.

### 4.4.1 Interrupt Priority Registers (IPRC and IPRP)

There are two interrupt priority registers in the DSP56309. The IPRC (**Figure 4-3**) is dedicated to DSP56300 core interrupt sources, and IPRP (**Figure 4-4**) is dedicated to DSP56309 peripheral interrupt sources.



**Figure 4-3.** Interrupt Priority Register-Core (IPRC) (X:\$FFFFFF)



**Figure 4-4.** Interrupt Priority Register-Peripherals (IPRP) (X:\$FFFFFFE)

The DSP56309 has a four-level interrupt priority structure. Each interrupt has two interrupt priority level bits (IPL[1–0]) that determine its interrupt priority level. Level 0 is the lowest priority; Level 3 is the highest-level priority and is non-maskable. **Table 4-4** defines the IPL bits.

**Table 4-4.** Interrupt Priority Level Bits

IPL bits		Interrupts Enabled	Interrupts Masked	Interrupt Priority Level
xxL1	xxL0			
0	0	No	—	0
0	1	Yes	0	1
1	0	Yes	0, 1	2
1	1	Yes	0, 1, 2	3

The IPRC also selects the trigger mode of the external interrupts ( $\overline{IRQA}$ – $\overline{IRQD}$ ). If the value of the IxL2 bit is 0, the interrupt mode is level-triggered. If the value is 1, the interrupt mode is negative-edge-triggered.

#### 4.4.2 Interrupt Table Memory Map

Each interrupt is allocated two instructions in the interrupt table, resulting in 128 table entries for interrupt handling. **Table 4-5** shows the table entry address for each interrupt source. The DSP56309 initialization program loads the table entry for each interrupt serviced with two interrupt servicing instructions. In the DSP56309, only some of the 128 vector addresses are used for specific interrupt sources. The remaining interrupt vectors are reserved and can be used for host  $\overline{NMI}$  (IPL = 3) or for host command interrupt (IPL = 2). Unused interrupt vector locations can be used for program or data storage.

Table 4-5. Interrupt Sources

Interrupt Starting Address	Interrupt Priority Level Range	Interrupt Source
VBA:\$00	3	Hardware $\overline{\text{RESET}}$
VBA:\$02	3	Stack error
VBA:\$04	3	Illegal instruction
VBA:\$06	3	Debug request interrupt
VBA:\$08	3	Trap
VBA:\$0A	3	Nonmaskable interrupt ( $\overline{\text{NMI}}$ )
VBA:\$0C	3	Reserved
VBA:\$0E	3	Reserved
VBA:\$10	0–2	IRQA
VBA:\$12	0–2	IRQB
VBA:\$14	0–2	IRQC
VBA:\$16	0–2	IRQD
VBA:\$18	0–2	DMA channel 0
VBA:\$1A	0–2	DMA channel 1
VBA:\$1C	0–2	DMA channel 2
VBA:\$1E	0–2	DMA channel 3
VBA:\$20	0–2	DMA channel 4
VBA:\$22	0–2	DMA channel 5
VBA:\$24	0–2	TIMER 0 compare
VBA:\$26	0–2	TIMER 0 overflow
VBA:\$28	0–2	TIMER 1 compare
VBA:\$2A	0–2	TIMER 1 overflow
VBA:\$2C	0–2	TIMER 2 compare
VBA:\$2E	0–2	TIMER 2 overflow
VBA:\$30	0–2	ESSIO receive data
VBA:\$32	0–2	ESSIO receive data with exception status
VBA:\$34	0–2	ESSIO receive last slot
VBA:\$36	0–2	ESSIO transmit data
VBA:\$38	0–2	ESSIO transmit data with exception status
VBA:\$3A	0–2	ESSIO transmit last slot
VBA:\$3C	0–2	Reserved
VBA:\$3E	0–2	Reserved
VBA:\$40	0–2	ESSI1 receive data
VBA:\$42	0–2	ESSI1 receive data with exception status

**Table 4-5.** Interrupt Sources (Continued)

Interrupt Starting Address	Interrupt Priority Level Range	Interrupt Source
VBA:\$44	0–2	ESSI1 receive last slot
VBA:\$46	0–2	ESSI1 transmit data
VBA:\$48	0–2	ESSI1 transmit data with exception status
VBA:\$4A	0–2	ESSI1 transmit last slot
VBA:\$4C	0–2	Reserved
VBA:\$4E	0–2	Reserved
VBA:\$50	0–2	SCI receive data
VBA:\$52	0–2	SCI receive data with exception status
VBA:\$54	0–2	SCI transmit data
VBA:\$56	0–2	SCI idle line
VBA:\$58	0–2	SCI timer
VBA:\$5A	0–2	Reserved
VBA:\$5C	0–2	Reserved
VBA:\$5E	0–2	Reserved
VBA:\$60	0–2	Host receive data full
VBA:\$62	0–2	Host transmit data empty
VBA:\$64	0–2	Host command (default)
VBA:\$66	0–2	Reserved
:	:	:
VBA:\$FE	0–2	Reserved

### 4.4.3 Processing Interrupt Source Priorities Within an IPL

If more than one interrupt request is pending when an instruction executes, the interrupt source with the highest IPL is serviced first. When several interrupt requests with the same IPL are pending, another fixed-priority structure within that IPL determines which interrupt source is serviced first. **Table 4-6** shows this fixed-priority list of interrupt sources within an IPL, from highest to lowest at each level. The interrupt mask bits in the Status Register (I[1–0]) can be programmed to ignore low priority-level interrupt requests.

**Table 4-6.** Interrupt Source Priorities Within an IPL

Priority	Interrupt Source
Level 3 (nonmaskable)	
Highest	Hardware $\overline{\text{RESET}}$
	Stack error

**Table 4-6.** Interrupt Source Priorities Within an IPL (Continued)

Priority	Interrupt Source
	Illegal instruction
	Debug request interrupt
	Trap
Lowest	Nonmaskable interrupt
Levels 0, 1, 2 (maskable)	
Highest	$\overline{\text{IRQA}}$ (external interrupt)
	$\overline{\text{IRQB}}$ (external interrupt)
	$\overline{\text{IRQC}}$ (external interrupt)
	$\overline{\text{IRQD}}$ (external interrupt)
	DMA channel 0 interrupt
	DMA channel 1 interrupt
	DMA channel 2 interrupt
	DMA channel 3 interrupt
	DMA channel 4 interrupt
	DMA channel 5 interrupt
	Host command interrupt
	Host transmit data empty
	Host receive data full
	ESSIO RX data with exception interrupt
	ESSIO RX data interrupt
	ESSIO receive last slot interrupt
	ESSIO TX data with exception interrupt
	ESSIO transmit last slot interrupt
	ESSIO TX data interrupt
	ESSI1 RX data with exception interrupt
	ESSI1 RX data interrupt
	ESSI1 receive last slot interrupt
	ESSI1 TX data with exception interrupt
	ESSI1 transmit last slot interrupt
	ESSI1 TX data interrupt
	SCI receive data with exception interrupt
	SCI receive data
	SCI transmit data
	SCI idle line
	SCI timer
	TIMER0 overflow interrupt

**Table 4-6.** Interrupt Source Priorities Within an IPL (Continued)

Priority	Interrupt Source
	TIMER0 compare interrupt
	TIMER1 overflow interrupt
	TIMER1 compare interrupt
	TIMER2 overflow interrupt
Lowest	TIMER2 compare interrupt

## 4.5 PLL Control Register (PCTL)

The bootstrap program must initialize the system Phase-Lock Loop (PLL) circuit by configuring the PLL Control Register (PCTL). The PCTL is an X-I/O mapped, read/write register that directs the internal PLL operation. (See **Figure 4-5.**)

23	22	21	20	19	18	17	16	15	14	13	12
PD3	PD2	PD1	PD0	COD	PEN	PSTP	XTLD	XTLR	DF2	DF1	DF0
11	10	9	8	7	6	5	4	3	2	1	0
MF11	MF10	MF9	MF8	MF7	MF6	MF5	MF4	MF3	MF2	MF1	MF0

**Figure 4-5.** PLL Control Register (PCTL)

**Table 4-7** defines the DSP56309 PCTL bits. Changing the following bits may cause the PLL to lose lock and re-lock according to the new value: PD[3–0], PEN, XTLR, and MF.

**Table 4-7.** PLL Control Register (PCTL) Bit Definitions

Bit Number	Bit Name	Reset Value	Description
23–20	PD[3–0]	0	<b>Predivider Factor</b> Define the predivision factor (PDF) to be applied to the PLL input frequency. The PD[3–0] bits are cleared during DSP56309 hardware reset, which corresponds to a PDF of one.
19	COD	0	<b>Clock Output Disable</b> Controls the output buffer of the clock at the CLKOUT pin. When COD is set, the CLKOUT output is pulled high. When COD is cleared, the CLKOUT pin provides a 50 percent duty cycle clock.
18	PEN	Set to PINIT input value	<b>PLL Enable</b> Enables PLL operation.
17	PSTP	0	<b>PLL Stop State</b> Controls PLL and internal crystal oscillator behavior during the stop processing state.
16	XTLD	0	<b>XTAL Disable</b> Controls the internal crystal oscillator XTAL output. The XTLD bit is cleared during DSP56309 hardware reset, so the XTAL output signal is active, permitting normal operation of the crystal oscillator.

**Table 4-7.** PLL Control Register (PCTL) Bit Definitions (Continued)

Bit Number	Bit Name	Reset Value	Description
15	XTLR	0	<b>Crystal Range</b> Controls the internal crystal oscillator transconductance. The XTLR bit is cleared (0) during hardware reset.
14–12	DF[2–0]	0	<b>Division Factor</b> Define the DF of the low-power divider. These bits specify the DF as a power of two in the range from $2^0$ to $2^7$ .
11–0	MF[11–0]	0	<b>PLL Multiplication Factor</b> Define the multiplication factor that is applied to the PLL input frequency. The MF bits are cleared during hardware reset and thus correspond to an MF of one.

## 4.6 Bus Interface Unit (BIU) Registers

The three Bus Interface Unit (BIU) registers configure the external memory expansion port (Port A). They include the following:


- Bus Control Register (BCR)
- DRAM Control Register (DCR)
- Address Attribute Registers (AAR[3–0])

To use Port A correctly, configure these registers as part of the bootstrap process. The following subsections describe these registers.

### 4.6.1 Bus Control Register (BCR)

The Bus Control Register (BCR), depicted in **Figure 4-6**, is a read/write register that controls the external bus activity and Bus Interface Unit (BIU) operation. All BCR bits except bit 21, BBS, are read/write bits. The BCR bits are defined in **Table 4-8**.

23	22	21	20	19	18	17	16	15	14	13	12
BRH		BBS	BDFW4	BDFW3	BDFW2	BDFW1	BDFW0	BA3W2	BA3W1	BA3W0	BA2W2
11	10	9	8	7	6	5	4	3	2	1	0
BA2W1	BA2W0	BA1W4	BA1W3	BA1W2	BA1W1	BA1W0	BA0W4	BA0W3	BA0W2	BA0W1	BA0W0

 Reserved bit. Read as zero; write to zero for future compatibility

**Figure 4-6.** Bus Control Register (BCR)

**Table 4-8. Bus Control Register (BCR) Bit Definitions**

Bit Number	Bit Name	Reset Value	Description
23	BRH	0	<b>Bus Request Hold</b> Asserts the $\overline{BR}$ signal, even if no external access is needed. When BRH is set, the $\overline{BR}$ signal is always asserted. If BRH is cleared, the $\overline{BR}$ is asserted only if an external access is attempted or pending.
22		0	Reserved. Write to zero for future compatibility.
21	BBS	0	<b>Bus State</b> This read-only bit is set when the DSP is the bus master and is cleared otherwise.
20–16	BDFW	11111 (31 wait states)	<b>Bus Default Area Wait State Control</b> Defines the number of wait states (one through 31) inserted into each external access to an area that is not defined by any of the AAR registers. The access type for this area is SRAM only. These bits should not be programmed as zero since SRAM memory access requires at least one wait state.  When four through seven wait states are selected, one additional wait state is inserted at the end of the access. When selecting eight or more wait states, two additional wait states are inserted at the end of the access. These trailing wait states increase the data hold time and the memory release time and do not increase the memory access time.
15–13	BA3W	1 (7 wait states)	<b>Bus Area 3 Wait State Control</b> Defines the number of wait states (one through seven) inserted in each external SRAM access to Area 3 (DRAM accesses are not affected by these bits). Area 3 is the area defined by AAR3.  <b>Note:</b> Do not program the value of these bits as zero since SRAM memory access requires at least one wait state.  When four through seven wait states are selected, one additional wait state is inserted at the end of the access. This trailing wait state increases the data hold time and the memory release time and does not increase the memory access time.
12–10	BA2W	111 (7 wait states)	<b>Bus Area 2 Wait State Control</b> Defines the number of wait states (one through seven) inserted into each external SRAM access to Area 2 (DRAM accesses are not affected by these bits). Area 2 is the area defined by AAR2.  <b>Note:</b> Do not program the value of these bits as zero, since SRAM memory access requires at least one wait state.  When four through seven wait states are selected, one additional wait state is inserted at the end of the access. This trailing wait state increases the data hold time and the memory release time and does not increase the memory access time.



**Table 4-8. Bus Control Register (BCR) Bit Definitions (Continued)**

Bit Number	Bit Name	Reset Value	Description
9–5	BA1W[4–0]	11111 (31 wait states)	<p><b>Bus Area 1 Wait State Control</b> Defines the number of wait states (one through 31) inserted into each external SRAM access to Area 1 (DRAM accesses are not affected by these bits). Area 1 is the area defined by AAR1.</p> <p><b>Note:</b> Do not program the value of these bits as zero, since SRAM memory access requires at least one wait state.</p> <p>When four through seven wait states are selected, one additional wait state is inserted at the end of the access. When selecting eight or more wait states, two additional wait states are inserted at the end of the access. These trailing wait states increase the data hold time and the memory release time and do not increase the memory access time.</p>
4–0	BA0W	11111 (31 wait states)	<p><b>Bus Area 0 Wait State Control</b> Defines the number of wait states (one through 31) inserted in each external SRAM access to Area 0 (DRAM accesses are not affected by these bits). Area 0 is the area defined by AAR0.</p> <p><b>Note:</b> Do not program the value of these bits as zero, since SRAM memory access requires at least one wait state.</p> <p>When selecting four through seven wait states, one additional wait state is inserted at the end of the access. When selecting eight or more wait states, two additional wait states are inserted at the end of the access. These trailing wait states increase the data hold time and the memory release time and do not increase the memory access time.</p>

## 4.6.2 DRAM Control Register (DCR)

The DRAM controller is an efficient interface to dynamic RAM devices in both random read/write cycles and Fast Access mode (Page mode). An internal DRAM controller controls the page hit circuit, the address multiplexing (row address and column address), the control signal generation ( $\overline{\text{CAS}}$  and  $\overline{\text{RAS}}$ ) and the refresh access generation ( $\overline{\text{CAS}}$  before  $\overline{\text{RAS}}$ ) for a variety of DRAM module sizes and access times. The internal DRAM controller configuration is determined by the DRAM Control Register (DCR). The DRAM Control Register (DCR) is a 24-bit read/write register that controls and configures the external DRAM accesses. The DCR bits are shown in **Figure 4-7**.

**Note:** To prevent improper device operation, you must guarantee that all the DCR bits except BSTR are not changed during a DRAM access.

23	22	21	20	19	18	17	16	15	14	13	12
BRP	BRF7	BRF6	BRF5	BRF4	BRF3	BRF2	BRF1	BRF0	BSTR	BREN	BME
11	10	9	8	7	6	5	4	3	2	1	0
BPLE		BPS1	BPS0					BRW1	BRW0	BCW1	BCW0

Reserved bit. Read as zero; write to zero for future compatibility

**Figure 4-7.** DRAM Control Register (DCR)

**Table 4-9.** DRAM Control Register (DCR) Bit Definitions

Bit Number	Bit Name	Reset Value	Description
23	BRP	0	<p><b>Bus Refresh Prescaler</b> Controls a prescaler in series with the refresh clock divider. If BRP is set, a divide-by-64 prescaler is connected in series with the refresh clock divider. If BRP is cleared, the prescaler is bypassed. The refresh request rate (in clock cycles) is the value written to BRF[7–0] bits + 1, multiplied by 64 (if BRP is set) or by one (if BRP is cleared). When programming the periodic refresh rate, you must consider the <math>\overline{\text{RAS}}</math> time-out period. Hardware support for the <math>\overline{\text{RAS}}</math> time-out restriction does not exist.</p> <p><b>Note:</b> Refresh requests are not accumulated and, therefore, in a fast refresh request rate not all the refresh requests are served (for example, the combination BRF[7–0] = \$00 and BRP = 0 generates a refresh request every clock cycle, but a refresh access takes at least five clock cycles).</p>
22–15	BRF[7–0]	0	<p><b>Bus Refresh Rate</b> Controls the refresh request rate. The BRF[7–0] bits specify a divide rate of 1–256 (BRF[7–0] = \$00–\$FF). A refresh request is generated each time the refresh counter reaches zero if the refresh counter is enabled (BRE = 1).</p>
14	BSTR	0	<p><b>Bus Software Triggered Reset</b> Generates a software-triggered refresh request. When BSTR is set, a refresh request is generated and a refresh access is executed to all DRAM banks (the exact timing of the refresh access depends on the pending external accesses and the status of the BME bit). After the refresh access (<math>\overline{\text{CAS}}</math> before <math>\overline{\text{RAS}}</math>) is executed, the DRAM controller hardware clears the BSTR bit. The refresh cycle length depends on the BRW[1–0] bits (a refresh access is as long as the out-of-page access).</p>
13	BREN	0	<p><b>Bus Refresh Enable</b> Enables/disables the internal refresh counter. When BREN is set, the refresh counter is enabled and a refresh request (<math>\overline{\text{CAS}}</math> before <math>\overline{\text{RAS}}</math>) is generated each time the refresh counter reaches zero. A refresh cycle occurs for all DRAM banks together (that is, all pins that are defined as <math>\overline{\text{RAS}}</math> are asserted together). When this bit is cleared, the refresh counter is disabled and a refresh request may be software triggered by using the BSTR bit. In a system in which DSPs share the same DRAM, the DRAM controller of more than one DSP may be active, but it is recommended that only one DSP have its BREN bit set and that bus mastership is requested for a refresh access. If BREN is set and a WAIT instruction is executed, periodic refresh is still generated each time the refresh counter reaches zero. If BREN is set and a STOP instruction is executed, periodic refresh is not generated and the refresh counter is disabled. The contents of the DRAM are lost.</p>

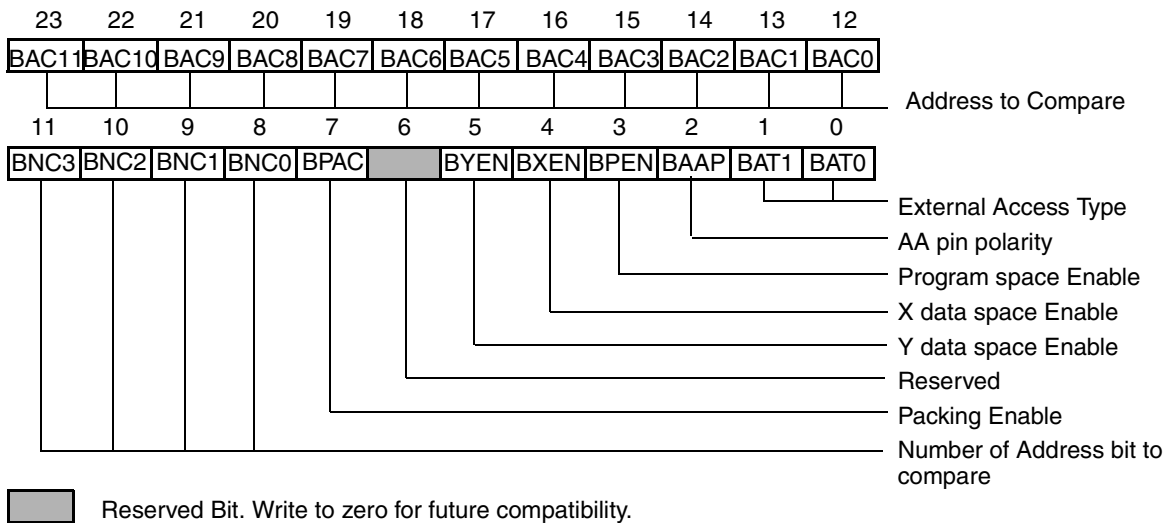
Table 4-9. DRAM Control Register (DCR) Bit Definitions (Continued)

Bit Number	Bit Name	Reset Value	Description
12	BME	0	<b>Bus Mastership Enable</b> Enables/disables interface to a local DRAM for the DSP. When BME is cleared, the $\overline{\text{RAS}}$ and $\overline{\text{CAS}}$ pins are tri-stated when mastership is lost. Therefore, you must connect an external pull-up resistor to these pins. In this case (BME = 0), the DSP DRAM controller assumes a page fault each time the mastership is lost. A DRAM refresh requires a bus mastership. If the BME bit is set, the $\overline{\text{RAS}}$ and $\overline{\text{CAS}}$ pins are always driven from the DSP. Therefore, DRAM refresh can be performed, even if the DSP is not the bus master.
11	BPLE	0	<b>Bus Page Logic Enable</b> Enables/disables the in-page identifying logic. When BPLE is set, it enables the page logic (the page size is defined by BPS[1–0] bits). Each in-page identification causes the DRAM controller to drive only the column address (and the associated $\overline{\text{CAS}}$ signal). When BPLE is cleared, the page logic is disabled, and the DRAM controller always accesses the external DRAM in out-of-page accesses (for example, row address with $\overline{\text{RAS}}$ assertion and then column address with $\overline{\text{CAS}}$ assertion). This mode is useful for low power dissipation. Only one in-page identifying logic exists. Therefore, during switches from one DRAM external bank to another DRAM bank (the DRAM external banks are defined by the access type bits in the AARs, different external banks are accessed through different AA/ $\overline{\text{RAS}}$ pins), a page fault occurs.
10		0	Reserved. Write to zero for future compatibility.
9–8	BPS	0	<b>Bus DRAM Page Size</b> Defines the size of the external DRAM page and thus the number of the column address bits. The internal page mechanism works according to these bits only if the page logic is enabled (by the BPLE bit). The four combinations of BPS[1–0] enable the use of many DRAM sizes (1 M bit, 4 M bit, 16 M bit, and 64 M bit). The encoding of BPS[1–0] is: 00 = 9-bit column width, 512 words 01 = 10-bit column width, 1 K words 10 = 11-bit column width, 2 K words 11 = 12-bit column width, 4 K words When the row address is driven, all 24 bits of the external address bus are driven [for example, if BPS[1–0] = 01, when driving the row address, the 14 MSBs of the internal address (XAB, YAB, PAB, or DAB) are driven on address lines A[0–13], and the address lines A[14–23] are driven with the 10 MSBs of the internal address. This method enables the use of different DRAMs with the same page size.
7–4		0	Reserved. Write to zero for future compatibility.
3–2	BRW	0	<b>Bus Row Out-of-page Wait States</b> Defines the number of wait states that should be inserted into each DRAM out-of-page access. The encoding of BRW[1–0] is: 00 = 4 wait states for each out-of-page access 01 = 8 wait states for each out-of-page access 10 = 11 wait states for each out-of-page access 11 = 15 wait states for each out-of-page access
1–0	BCW	0	<b>Bus Column In-Page Wait State</b> Defines the number of wait states to insert for each DRAM in-page access. The encoding of BCW[1–0] is: 00 = 1 wait state for each in-page access 01 = 2 wait states for each in-page access 10 = 3 wait states for each in-page access 11 = 4 wait states for each in-page access

### 4.6.3 Address Attribute Registers (AAR[0–3])

The Address Attribute Registers (AAR[0–3]) are read/write registers that control the activity of the AA0/ $\overline{\text{RAS0}}$ –AA3/ $\overline{\text{RAS3}}$  pins. The associated AA $n$ / $\overline{\text{RASn}}$  pin is asserted if the address defined by the BAC bits in the associated AAR matches the exact number of external address bits defined by the BNC bits, and the external address space (X data, Y data, or program) is enabled by the AAR. **Figure 4-8** shows an AAR register; **Table 4-10** lists the bit definitions.

**Note:** The DSP56309 does not support address multiplexing.



**Figure 4-8.** Address Attribute Registers (AAR[0–3]) (X:\$FFFFFF9–\$FFFFFF6)

**Table 4-10.** Address Attribute Registers (AAR[0–3]) Bit Definitions

Bit Number	Bit Name	Reset Value	Description
23–12	BAC	0	<b>Bus Address to Compare</b> Read/write control bits that define the upper 12 bits of the 24-bit address with which to compare the external address to determine whether to assert the corresponding AA/ $\overline{\text{RAS}}$ signal. This is also true of 16-bit compatibility mode. The BNC[3–0] bits define the number of address bits to compare.
11–8	BNC	0	<b>Bus Number of Address Bits to Compare</b> Specify the number of bits (from the BAC bits) that are compared to the external address. The BAC bits are always compared with the Most Significant Portion of the external address (for example, if BNC[3–0] = 0011, then the BAC[11–9] bits are compared to the 3 MSBs of the external address). If no bits are specified (that is, BNC[3–0] = 0000), the AA signal is activated for the entire 16 M-word space identified by the space enable bits (BPEN, BXEN, BYEN), but only when the address is external to the internal memory map. The combinations BNC[3–0] = 1111, 1110, 1101 are reserved.

Table 4-10. Address Attribute Registers (AAR[0–3]) Bit Definitions

Bit Number	Bit Name	Reset Value	Description
7	BPAC	0	<p><b>Bus Packing Enable</b> Enables/disables the internal packing/unpacking logic. When BPAC is set, packing is enabled. In this mode each DMA external access initiates three external accesses to an 8-bit wide external memory (the addresses for these accesses are DAB, then DAB + 1 and then DAB + 2). Packing to a 24-bit word (or unpacking from a 24-bit word to three 8-bit words) is done automatically by the expansion port control hardware. The external memory should reside in the eight Least Significant Bits (LSBs) of the external data bus, and the packing (or unpacking for external write accesses) occurs in “Little Endian” order (that is, the low byte is stored in the lowest of the three memory locations and is transferred first; the middle byte is stored/transferred next; and the high byte is stored/transferred last). When this bit is cleared, the expansion port control logic assumes a 24-bit wide external memory.</p> <p><b>Notes:</b></p> <ol style="list-style-type: none"> <li>1. BPAC is used only for DMA accesses and not core accesses.</li> <li>2. To ensure sequential external accesses, the DMA address should advance three steps at a time in two-dimensional mode with a row length of one and an offset size of three. For details, refer to the Freescale application note, <b>APR23/D, Using the DSP56300 Direct Memory Access Controller</b>.</li> <li>3. To prevent improper operation, DMA address + 1 and DMA address + 2 should not cross the AAR bank borders.</li> <li>4. Arbitration is not allowed during the packing access (that is, the three accesses are treated as one access with respect to arbitration, and the bus mastership is not released during these accesses).</li> </ol>
6		0	Reserved. Write to 0 for future compatibility.
5	BYEN	0	<p><b>Bus Y Data Memory Enable</b> A read/write control bit that enables/disables the AA pin and logic during external Y data space accesses. When set, BYEN enables the comparison of the external address to the BAC bits during external Y data space accesses. If BYEN is cleared, no address comparison is performed.</p>
4	BXEN	0	<p><b>Bus X Data Memory Enable</b> A read/write control bit that enables/disables the AA pin and logic during external X data space accesses. When set, BXEN enables the comparison of the external address to the BAC bits during external X data space accesses. If BXEN is cleared, no address comparison is performed.</p>
3	BPEN	0	<p><b>Bus Program Memory Enable</b> A read/write control bit that enables/disables the AA/<math>\overline{\text{RAS}}</math> pin and logic during external program space accesses. When set, BPEN enables the comparison of the external address to the BAC bits during external program space accesses. If BPEN is cleared, no address comparison is performed.</p>
2	BAAP	0	<p><b>Bus Address Attribute Polarity</b> A read/write Bus Address Attribute Polarity (BAAP) control bit that defines whether the AA/<math>\overline{\text{RAS}}</math> signal is active low or active high. When BAAP is cleared, the AA/<math>\overline{\text{RAS}}</math> signal is active low (useful for enabling memory modules or for DRAM Row Address Strobe). If BAAP is set, the appropriate AA/<math>\overline{\text{RAS}}</math> signal is active high (useful as an additional address bit).</p>

**Table 4-10.** Address Attribute Registers (AAR[0–3]) Bit Definitions

Bit Number	Bit Name	Reset Value	Description
1–0	BAT	0	<p><b>Bus Access Type</b> Read/write bits that define the type of external memory (DRAM or SRAM) to access for the area defined by the BAC[11–0], BYEN, BXEN, and BPEN bits. The encoding of BAT[1–0] is: 00 = Reserved 01 = SRAM access 10 = DRAM access 11 = Reserved</p> <p>When the external access type is defined as a DRAM access (BAT[1–0] = 10), <math>\overline{AA/RAS}</math> acts as a Row Address Strobe (RAS) signal. Otherwise, it acts as an Address Attribute signal. External accesses to the default area always execute as if BAT[1–0] = 01 (that is, SRAM access). If Port A is used for external accesses, the BAT bits in the AAR3–0 registers must be initialized to the SRAM access type (that is, BAT = 01) or to the DRAM access type (that is BAT = 10). To ensure proper operation of Port A, this initialization must occur even for an AAR register that is not used during any Port A access. Note that at reset, the BAT bits are initialized to 00.</p>

## 4.7 DMA Control Registers 5–0 (DCR[5–0])

The DMA Control Registers (DCR[5–0]) are read/write registers that control the DMA operation for each of their respective channels. All DCR bits are cleared during processor reset.

23	22	21	20	19	18	17	16	15	14	13	12
DE	DIE	DTM2	DTM1	DTM0	DPR1	DPR0	DCON	DRS4	DRS3	DRS2	DRS1
11	10	9	8	7	6	5	4	3	2	1	0
DRS0	D3D	DAM5	DAM4	DAM3	DAM2	DAM1	DAM0	DDS1	DDS0	DSS1	DSS0

**Figure 4-9.** DMA Control Register (DCR)**Table 4-11.** DMA Control Register (DCR) Bit Definitions

Bit Number	Bit Name	Reset Value	Description
23	DE	0	<p><b>DMA Channel Enable</b> Enables the channel operation. Setting DE either triggers a single block DMA transfer in the DMA transfer mode that uses DE as a trigger or enables a single-block, single-line, or single-word DMA transfer in the transfer modes that use a requesting device as a trigger. DE is cleared by the end of DMA transfer in some of the transfer modes defined by the DTM bits. If software explicitly clears DE during a DMA operation, the channel operation stops only after the current DMA transfer completes (that is, the current word is stored into the destination).</p>
22	DIE	0	<p><b>DMA Interrupt Enable</b> Generates a DMA interrupt at the end of a DMA block transfer after the counter is loaded with its preloaded value. A DMA interrupt is also generated when software explicitly clears <math>\overline{DE}</math> during a DMA operation. Once asserted, a DMA interrupt request can be cleared only by the service of a DMA interrupt routine. To ensure that a new interrupt request is not generated, clear DIE while the DMA interrupt is serviced and before a new DMA request is generated at the end of a DMA block transfer—that is, at the beginning of the DMA channel interrupt service routine. When DIE is cleared, the DMA interrupt is disabled.</p>

**Table 4-11. DMA Control Register (DCR) Bit Definitions (Continued)**

Bit Number	Bit Name	Reset Value	Description			
21–19	DTM	0	<b>DMA Transfer Mode</b> Specify the operating modes of the DMA channel, as follows:			
			<b>DTM[2–0]</b>	<b>Trigger</b>	<b>DE Cleared After</b>	<b>Transfer Mode</b>
			000	request	Yes	Block Transfer—DE enabled and DMA request initiated. The transfer is complete when the counter decrements to zero and the DMA controller reloads the counter with the original value.
			001	request	Yes	Word Transfer—A word-by-word block transfer (length set by the counter) that is DE enabled. The transfer is complete when the counter decrements to zero and the DMA controller reloads the counter with the original value.
			010	request	Yes	Line Transfer—A line by line block transfer (length set by the counter) that is DE enabled. The transfer is complete when the counter decrements to zero and the DMA controller reloads the counter with the original value.
			011	DE	Yes	Block Transfer—The DE-initiated transfer is complete when the counter decrements to zero and the DMA controller reloads the counter with the original value.
			100	request	No	Block Transfer—The transfer is enabled by DE and initiated by the first DMA request. The transfer is completed when the counter decrements to zero and reloads itself with the original value. The DE bit is not cleared at the end of the block, so the DMA channel waits for a new request. NOTE: The DMA End-of-Block-Transfer Interrupt cannot be used in this mode.
			101	request	No	Word Transfer—The transfer is enabled by DE and initiated by every DMA request. When the counter decrements to zero, it is reloaded with its original value. The DE bit is not automatically cleared, so the DMA channel waits for a new request. NOTE: The DMA End-of-Block-Transfer Interrupt cannot be used in this mode.
			110	Reserved		
			111	Reserved		
<b>Note:</b> When DTM = 001 or 101, some peripherals can generate a second DMA request while the DMA controller is still processing the first request (see the description of the DRS bits).						

**Table 4-11. DMA Control Register (DCR) Bit Definitions (Continued)**

Bit Number	Bit Name	Reset Value	Description										
18–17	DPR	0	<p><b>DMA Channel Priority</b> Define the DMA channel priority relative to the other DMA channels and to the core priority if an external bus access is required. For pending DMA transfers, the DMA controller compares channel priority levels to determine which channel can activate the next word transfer. This decision is required because all channels use common resources, such as the DMA address generation logic, buses, and so forth.</p> <table border="1"> <thead> <tr> <th>DPR</th> <th>Channel Priority</th> </tr> </thead> <tbody> <tr> <td>00</td> <td>Priority level 0 (lowest)</td> </tr> <tr> <td>01</td> <td>Priority level 1</td> </tr> <tr> <td>10</td> <td>Priority level 2</td> </tr> <tr> <td>11</td> <td>Priority level 3 (highest)</td> </tr> </tbody> </table> <ul style="list-style-type: none"> <li>• If all or some channels have the same priority, then channels are activated in a round-robin fashion—that is, channel 0 is activated to transfer one word, followed by channel 1, then channel 2, and so on.</li> <li>• If channels have different priorities, the highest priority channel executes DMA transfers and continues for its pending DMA transfers.</li> <li>• If a lower-priority channel is executing DMA transfers when a higher priority channel receives a transfer request, the lower-priority channel finishes the current word transfer and arbitration starts again.</li> <li>• If some channels with the same priority are active in a round-robin fashion and a new higher-priority channel receives a transfer request, the higher-priority channel is granted transfer access after the current word transfer is complete. After the higher-priority channel transfers are complete, the round-robin transfers continue. The order of transfers in the round-robin mode may change, but the algorithm remains the same.</li> <li>• The DPR bits also determine the DMA priority relative to the core priority for external bus access. Arbitration uses the current active DMA priority, the core priority defined by the SR bits CP[1–0], and the core-DMA priority defined by the OMR bits CDP[1–0]. Priority of core accesses to external memory is as follows:</li> </ul>	DPR	Channel Priority	00	Priority level 0 (lowest)	01	Priority level 1	10	Priority level 2	11	Priority level 3 (highest)
DPR	Channel Priority												
00	Priority level 0 (lowest)												
01	Priority level 1												
10	Priority level 2												
11	Priority level 3 (highest)												



**Table 4-11. DMA Control Register (DCR) Bit Definitions (Continued)**

Bit Number	Bit Name	Reset Value	Description		
18–17 cont.	DPR		<b>OMR - CDP[1–0]</b>	<b>CP[1–0]</b>	<b>Core Priority</b>
			00	00	0 (lowest)
			00	01	1
			00	10	2
			00	11	3 (highest)
			01	xx	DMA accesses have higher priority than core accesses
			10	xx	DMA accesses have the same priority as core accesses
			11	xx	DMA accesses have lower priority than core accesses
			<ul style="list-style-type: none"> <li>• If DMA priority &gt; core priority (for example, if CDP = 01, or CDP = 00 and DPR &gt; CP), the DMA performs the external bus access first and the core waits for the DMA channel to complete the current transfer.</li> <li>• If DMA priority = core priority (for example, if CDP = 10, or CDP = 00 and DPR = CP), the core performs all its external accesses first and then the DMA channel performs its access.</li> <li>• If DMA priority &lt; core priority (for example, if CDP=11, or CDP = 00 and DPR &lt; CP), the core performs its external accesses and the DMA waits for a free slot in which the core does not require the external bus.</li> <li>• In Dynamic Priority mode (CDP = 00), the DMA channel can be halted before executing both the source and destination accesses if the core has higher priority. If another higher-priority DMA channel requests access, the halted channel finishes its previous access with a new higher priority before the new requesting DMA channel is serviced.</li> </ul>		
16	DCON	0	<b>DMA Continuous Mode Enable</b> Enables/disables DMA Continuous mode. When DCON is set, the channel enters the Continuous Transfer mode and cannot be interrupted during a transfer by any other DMA channel of equal priority. DMA transfers in the continuous mode of operation can be interrupted if a DMA channel of higher priority is enabled after the continuous mode transfer starts. If the priority of the DMA transfer in continuous mode (that is, DCON = 1) is higher than the core priority (CDP = 01, or CDP = 00 and DPR > CP), and if the DMA requires an external access, the DMA gets the external bus and the core is not able to use the external bus in the next cycle after the DMA access even if the DMA does not need the bus in this cycle. However, if a refresh cycle from the DRAM controller is requested, the refresh cycle interrupts the DMA transfer. When DCON is cleared, the priority algorithm operates as for the DPR bits.		

**Table 4-11. DMA Control Register (DCR) Bit Definitions (Continued)**

Bit Number	Bit Name	Reset Value	Description	
15–11	DRS	0	<b>DMA Request Source</b> Encodes the source of DMA requests that trigger the DMA transfers. The DMA request sources may be external devices requesting service through the $\overline{IRQA}$ , $\overline{IRQB}$ , $\overline{IRQC}$ and $\overline{IRQD}$ pins, triggering by transfers done from a DMA channel, or transfers from the internal peripherals. All the request sources behave as edge-triggered synchronous inputs.	
			<b>DRS[4–0]</b>	<b>Requesting Device</b>
			00000	External ( $\overline{IRQA}$ pin)
			00001	External ( $\overline{IRQB}$ pin)
			00010	External ( $\overline{IRQC}$ pin)
			00011	External ( $\overline{IRQD}$ pin)
			00100	Transfer done from channel 0
			00101	Transfer done from channel 1
			00110	Transfer done from channel 2
			00111	Transfer done from channel 3
			01000	Transfer done from channel 4
			01001	Transfer done from channel 5
			01010	ESSI0 receive data (RDF0 = 1)
			01011	ESSI0 transmit data (TDE0 = 1)
			01100	ESSI1 receive data (RDF1 = 1)
			01101	ESSI1 transmit data (TDE1 = 1)
			01110	SCI receive data (RDRF = 1)
			01111	SCI transmit data (TDRE = 1)
			10000	Timer0 (TCF0 = 1)
			10001	Timer1 (TCF1 = 1)
			10010	Timer2 (TCF2 = 1)
			10011	Host receive data full (HRDF = 1)
10100	Host transmit data empty (HTDE = 1)			
10101–11111	Reserved			
			Peripheral requests 18–21 (DRS[4–0] = 111xx) can serve as fast request sources. Unlike a regular peripheral request in which the peripheral can not generate a second request until the first one is served, a fast peripheral has a full duplex handshake to the DMA, enabling a maximum throughput of a trigger every two clock cycles. This mode is functional only in the Word Transfer mode (that is, DTM = 001 or 101). In the Fast Request mode, the DMA sets an enable line to the peripheral. If required, the peripheral can send the DMA a one cycle triggering pulse. This pulse resets the enable line. If the DMA decides by the priority algorithm that this trigger will be served in the next cycle, the enable line is set again, even before the corresponding register in the peripheral is accessed.	
10	D3D	0	<b>Three-Dimensional Mode</b> Indicates whether a DMA channel is currently using three-dimensional (D3D = 1) or non-three-dimensional (D3D = 0) addressing modes. The addressing modes are specified by the DAM bits.	

**Table 4-11. DMA Control Register (DCR) Bit Definitions (Continued)**

Bit Number	Bit Name	Reset Value	Description															
9–4	DAM	0	<b>DMA Address Mode</b> Defines the address generation mode for the DMA transfer. These bits are encoded in two different ways according to the D3D bit.															
3–2	DDS[1–0]	0	<b>DMA Destination Space</b> Specify the memory space referenced as a destination by the DMA.  <b>Note:</b> In Cache mode, a DMA to Program memory space has some limitations (as described in <b>Chapter 3, Memory Configuration</b> ).															
			<table border="1"> <thead> <tr> <th>DDS1</th> <th>DDS0</th> <th>DMA Destination Memory Space</th> </tr> </thead> <tbody> <tr> <td>0</td> <td>0</td> <td>X Memory Space</td> </tr> <tr> <td>0</td> <td>1</td> <td>Y Memory Space</td> </tr> <tr> <td>1</td> <td>0</td> <td>P Memory Space</td> </tr> <tr> <td>1</td> <td>1</td> <td>Reserved</td> </tr> </tbody> </table>	DDS1	DDS0	DMA Destination Memory Space	0	0	X Memory Space	0	1	Y Memory Space	1	0	P Memory Space	1	1	Reserved
			DDS1	DDS0	DMA Destination Memory Space													
			0	0	X Memory Space													
			0	1	Y Memory Space													
1	0	P Memory Space																
1	1	Reserved																
1–0	DSS	0	<b>DMA Source Space</b> Specify the memory space referenced as a source by the DMA.  <b>Note:</b> In Cache mode, a DMA to Program memory space has some limitations (as described in <b>Chapter 3, Memory Configuration</b> ).															
			<table border="1"> <thead> <tr> <th>DSS1</th> <th>DSS0</th> <th>DMA Source Memory Space</th> </tr> </thead> <tbody> <tr> <td>0</td> <td>0</td> <td>X Memory Space</td> </tr> <tr> <td>0</td> <td>1</td> <td>Y Memory Space</td> </tr> <tr> <td>1</td> <td>0</td> <td>P Memory Space</td> </tr> <tr> <td>1</td> <td>1</td> <td>Reserved</td> </tr> </tbody> </table>	DSS1	DSS0	DMA Source Memory Space	0	0	X Memory Space	0	1	Y Memory Space	1	0	P Memory Space	1	1	Reserved
			DSS1	DSS0	DMA Source Memory Space													
			0	0	X Memory Space													
			0	1	Y Memory Space													
1	0	P Memory Space																
1	1	Reserved																

## 4.8 Device Identification Register (IDR)

The IDR is a read-only factory-programmed register that identifies DSP56300 family members. It specifies the derivative number and revision number of the device. This information is used in testing or by software. **Figure 4-10** shows the contents of the IDR. Revision numbers are assigned as follows: \$0 is revision 0, \$1 is revision A, and so on.

23	16	15	12	11	0
<b>Reserved</b>		<b>Revision Number</b>		<b>Derivative Number</b>	
\$00		\$5		\$303	

**Figure 4-10. Identification Register Configuration (Revision E)**

## 4.9 JTAG Identification (ID) Register

The JTAG ID register is a 32-bit read-only factory-programmed register that distinguishes the component on a board according to the IEEE 1149.1 standard. **Figure 4-11** shows the JTAG ID register configuration. Version information corresponds to the revision number (\$0 for revision 0, \$1 for revision A, and so forth).

31	28	27	22	21	12	11	1	0	
<b>Version Information</b>				<b>Design Center Number</b>			<b>Sequence Number</b>		<b>Manufacturer Identity</b>
0101				000110			0000000011		00000001110
									1

**Figure 4-11.** JTAG Identification Register Configuration (Revision E)

## 4.10 JTAG Boundary Scan Register (BSR)

The BSR in the DSP56309 JTAG implementation contains bits for all device signals, clock pins, and their associated control signals. All bidirectional pins have a corresponding register bit in the BSR for pin data and are controlled by an associated control bit in the BSR. For details on the BSR, consult the *DSP56300 Family Manual*. For the latest description of the BSR contents by available package type in boundary scan description language (BSDL), call your local Freescale Semiconductor Sales Office or authorized distributor or visit the Freescale Semiconductor web site listed on the back cover of this manual.

# Programming the Peripherals

When peripherals are programmed in a given application, a number of possible modes and options are available for use. Chapters 6 through 9 describe in detail the possible modes and configurations for peripheral registers and ports. This chapter presents general guidelines for initializing the peripherals. These guidelines include a description of how the control registers are mapped in the DSP56309, data transfer methods that are available when the various peripherals are used, and information on General-Purpose Input/Output (GPIO) configuration.

## 5.1 Peripheral Initialization Steps

Each peripheral has its own initialization process. However, all four peripherals share some common steps, which follow:

1. Determine the Register values to be programmed, using the following steps:
  - a. Find the peripheral register descriptions in the manual.
  - b. Choose the appropriate modes to configure for a given application.
  - c. Determine the bit settings for programming those modes.
2. Make sure the peripheral is in individual reset state or disabled.

**Note:** Peripheral registers should not be modified while the peripheral is active.

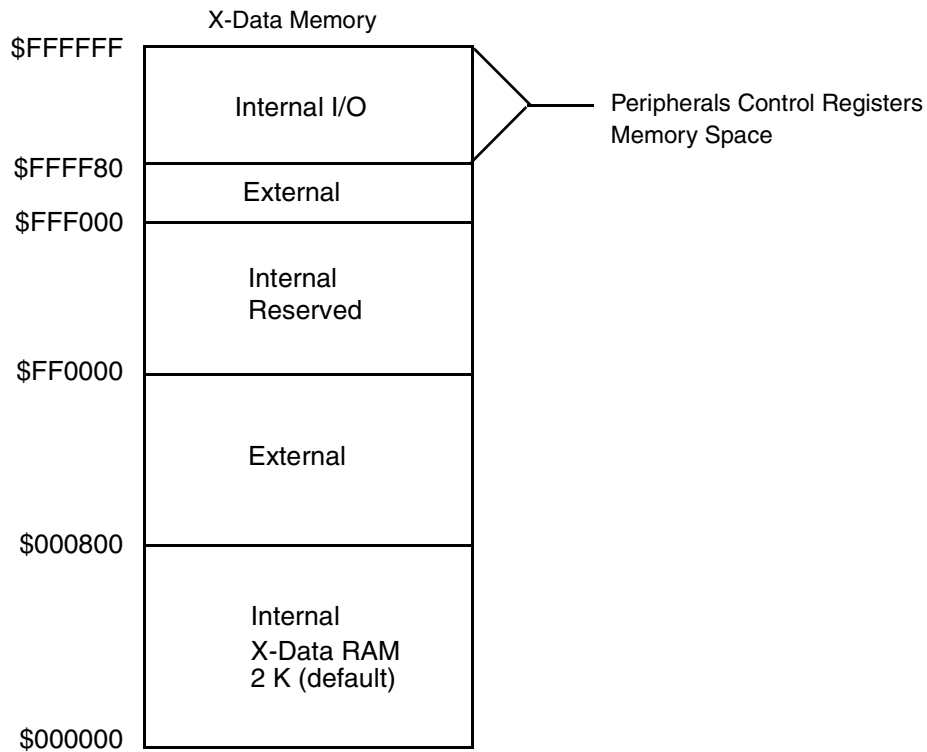
1. Configure the registers by writing the predetermined values from step 1 into the appropriate register locations.
2. Enable the peripheral. Once the peripheral is enabled, it operates according the programmed modes determined in step 1.

For detailed initialization procedures unique to each peripheral device, consult the initialization section in the specific peripheral device chapter.

## 5.2 Mapping the Control Registers

The I/O peripherals are controlled through registers mapped to the top 128 words of X-data memory (\$FFFF80–\$FFFFFF). Referred to as the internal I/O space, the control registers are accessed by move (MOVE, MOVEP) instructions and bit-oriented instructions (BCHG, BCLR, BSET, BTST, BRCLR, BRSET, BSCLR, BSSET, JCLR, JSET, JSCLR, and JSSET). The

contents of the internal X I/O memory space are listed in **Appendix B, Programming Reference, Table B-2.**



**Figure 5-1.** Memory Mapping of Peripherals Control Registers

### 5.3 Reading Status Registers

Each peripheral has a read-only status register that indicate the state of the peripheral at a given time. The HI08, ESSI, and SCI have dedicated status registers. The triple timer has status bits embedded within a control/status register. Changes in the status bits can generate interrupt conditions. For example, the HI08 has a host status register with two host flag bits that can be encoded by the host to generate an interrupt in the DSP.

### 5.4 Data Transfer Methods

Peripheral I/O on the DSP56309 can be accomplished in three ways:

- Polling
- Interrupts
- DMA

## 5.4.1 Polling

Polling is the easiest method for data transfers. When polling is chosen, the DSP56309 core continuously checks a specified register flag waiting for an event to happen. One example would be setting an overflow flag in one of the Timers. Once the event occurs, the DSP56309 is free to continue with its next task. However, while it is waiting for the event to occur, the DSP56309 core is not executing any other code. Polling is the easiest transfer method since it does not require register initialization, but it is also the least efficient use of the DSP core.

Each peripheral has its own set of flags which can be polled to determine when data is ready to be transferred. For example, the ESSI control registers provide bits that tell the core when data is ready to be transferred to or from the peripheral. The core polls these bits to determine when to interact with the peripheral. Similar flags exist for each peripheral.

**Example 5-1** shows software polling programmed in an application using the HI08.

### Example 5-1. Software Polling

```

jclr#1,x:M_HSR,*           ; loop if HSR[1]:HTDE=0
movey:(TBUFF_PTR)+,x1     ; move data to x1

```

In this example, the core waits until the Host Status Register (HSR) Host Transmit Data Empty (HTDE) flag is set. When the flag is set, the core moves data from Y memory to the X1 register.

## 5.4.2 Interrupts

Interrupts are more efficient than polling, but interrupts also require additional register initialization. Polling requires the core to remain busy checking a flag in a specified control register and therefore does not allow the core to execute other code at the same time. For interrupts, you can initialize the interrupt so it is triggered off one of the same flags that can also be polled. Then the core does not have to continuously check a flag. Once the interrupt is initialized and the flag is set, the core is notified to execute a data transfer. Until the flag is set, the core can remain busy executing other sections of code.

When an interrupt occurs, the core execution flow jumps to the interrupt start address defined in **Table B-3** in **Appendix B**, *Programming Reference*. It executes code starting at the interrupt address. If it is a short interrupt (that is, the service routine is two opcodes long), the code automatically returns to the original program flow after executing two opcodes with no impact to the pipeline. Otherwise, if a longer service routine is required the programmer can place a jump-to-subroutine (JSR) instruction at the interrupt service address. In this case, the program executes that service routine and continues until a return-from-interrupt (RTI) instruction executes. The execution flow then resumes from the position the program counter was in before the interrupt was triggered.

Configuring interrupts requires two steps:

1. Setting up the interrupt routine
  - a. The interrupt handler is located at the interrupt starting address.
  - b. The interrupt routines can be short (only two opcodes long) or long (more than two opcodes and requiring a JSR instruction).
2. Enabling the interrupts
  - a. Set the corresponding bits in the applicable peripheral control register.
  - b. Enable peripheral interrupts in the Interrupt Priority Register (IPRP).
  - c. Enable global interrupts in the Mode Register (MR) portion of the Status Register (SR).

Events that change bits in the peripheral control registers can then trigger the interrupt. Depending on the peripheral, from two to six peripheral interrupt sources are available to the programmer.

**Example 5-2** shows a short interrupt programmed for the HI08. The main program enables the Host Receive Interrupt in the Host Control Register (HCR). When the interrupt is triggered during code execution, the core processing jumps to the Host Receive Interrupt routine location at p:\$60 and executes the code there. Since this is a short interrupt, the core returns to normal code execution after executing the two move instructions, and an RTI instruction is not necessary.

### Example 5-2. Interrupts

```
bset#M_HRIE,x:M_HCR ; enable host receive interrupt

; Short Interrupt Routine
orgP:$60
movepx:M_HRX,x1      ; HI08 Receive Data Full interrupt
movexl,y:(r0)+
```

### 5.4.3 DMA

The Direct Memory Access (DMA) controller permits data transfers between internal/external memory and/or internal/external I/O in any combination without the intervention of the DSP56309 core. Dedicated DMA address and data buses and internal memory partitioning ensure that a high level of isolation is achieved so the DMA operation does not interfere with the core operation or slow it down. The DMA moves data to/from the peripheral transmit/receive registers. The programmer can use the DMA control registers to configure sources and destinations of data transfers. Depending on the peripheral, one to four peripheral request sources are available. This is the most efficient method of data transfer available. Core intervention is not required after the DMA channel is initialized.



**Table 5-1. DMA-Accessible Registers**

Block	Register	DMA	
		Read	Write
ESSI	TX0	No	Yes
	TX1	No	Yes
	TX2	No	Yes
	RX	Yes	No
SCI	SRX	Yes	No
	STX	No	Yes
EFCOP	FDIR	No	Yes
	FDOR	Yes	No
HI08	HTX	No	Yes
	HRX	Yes	No
Timer			

**Example 5-3** shows a DMA configuration for transferring data to the Host Transmit register of the HI08.

### Example 5-3. DMA Transfers

```

bclr#M_D1L0,x:M_IPRC      ; disable DMA1 interrupts
bclr#M_D1L1,x:M_IPRC
movep#TBUFF_START,x:M_DSRL; DMA1 source is transmit buffer
movep#M_HTX,x:M_DDR1      ; DMA1 destination is HTX
movep#TBUFF_SIZE-1,x:M_DCR1; DMA1 count is the full buffer
movep#INIT_DCR1,x:M_DCR1  ; init. DMA1 control register

```

DMA requires more initialization code and consideration of DMA modes. However, it is the most efficient use of core resources. Once these registers are programmed, you must enable the DMA by triggering a DMA request off one of the peripheral control flags or enabling it in normal program flow or an interrupt service routine.

#### 5.4.4 Advantages and Disadvantages

Polling is the easiest method to implement, but it requires a large amount of DSP56309 core processing power. The core cannot be involved in other processing activities while it is polling receive and transmit ready bits. Interrupts require more code, but the core can process other routines while waiting for data I/O. An interrupt is generated when data is ready to be transferred to or from the peripheral device. DMA requires even less core intervention, and the setup code is minimal, but the DMA channels must be available.

**Note:** Do not use interrupt requests and DMA requests simultaneously.

## 5.5 General-Purpose Input/Output (GPIO)

The DSP56309 provides 34 bidirectional signals that can be configured as GPIO signals or as peripheral dedicated signals. No dedicated GPIO signals are provided. All of these signals are GPIO by default after reset. The control register settings of the DSP56309 peripherals determine whether these signals function as GPIO or as peripheral dedicated signals. This section describes how signals can be used as GPIO.

**Chapter 2, Signals/Connections** details the special uses of the 34 bidirectional signals. These signals fall into five groups and are controlled separately or as a group:

- Port B: 16 GPIO signals (shared with the HI08 signals)
- Port C: six GPIO signals (shared with the ESSI0 signals)
- Port D: six GPIO signals (shared with the ESSI1 signals)
- Port E: three GPIO signals (shared with the SCI signals)
- Timers: three GPIO signals (shared with the triple timer signals)

### 5.5.1 Port B Signals and Registers

Each of the 16 Port B signals not used as an HI08 signal can be configured as a GPIO signal. Three registers control the GPIO functionality of Port B: host control register (HCR), host port GPIO data register (HDR), and host port GPIO direction register (HDDR). **Chapter 6, Host Interface (HI08)**, discusses these registers.

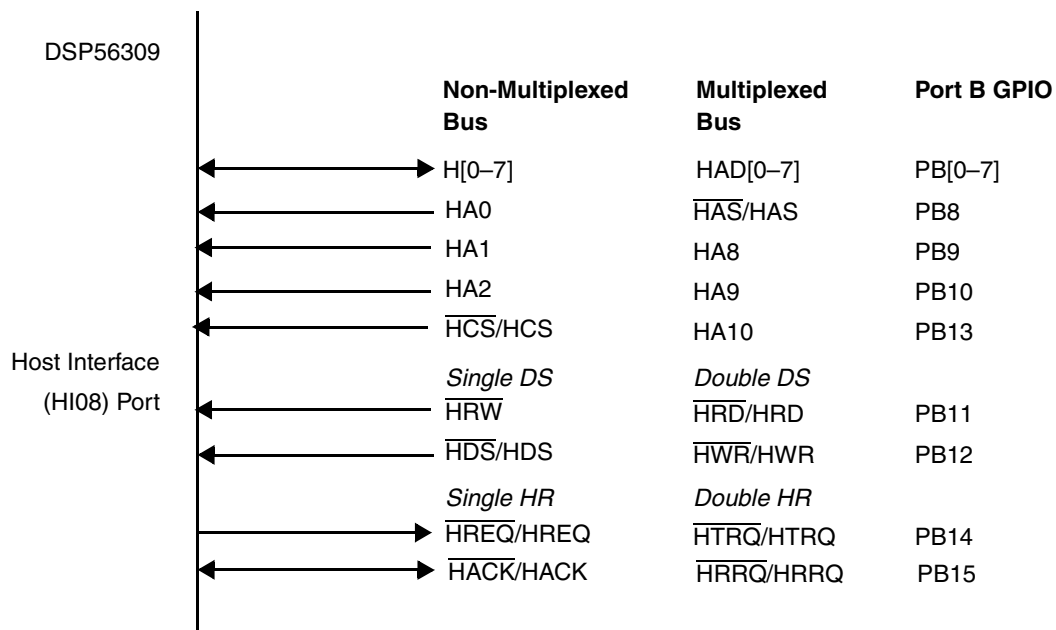


Figure 5-2. Port B Signals

## 5.5.2 Port C Signals and Registers

Each of the six Port C signals not used as an ESSIO signal can be configured as a GPIO signal. Three registers control the GPIO functionality of Port C: Port C control register (PCRC), Port C direction register (PRRC), and Port C data register (PDRC). **Chapter 7, Enhanced Synchronous Serial Interface (ESSI)**, discusses these registers.

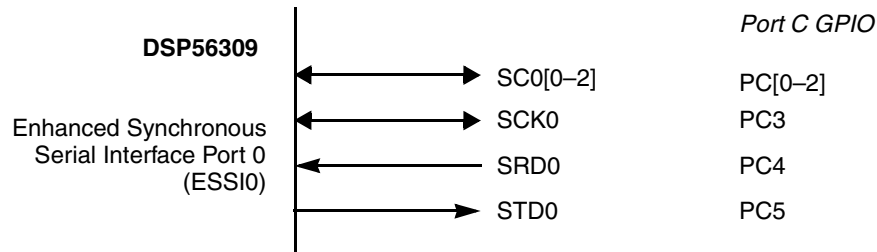


Figure 5-3. Port C Signals

## 5.5.3 Port D Signals and Registers

Each of the six Port D signals not used as an ESSII signal can be configured as a GPIO signal. Three registers control the GPIO functionality of Port D: Port D control register (PCRD), Port D direction register (PRRD), and Port D data register (PDRD). **Chapter 7, Enhanced Synchronous Serial Interface (ESSI)**, discusses these registers.

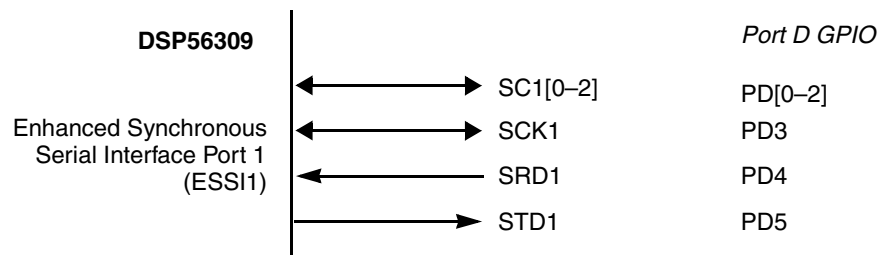


Figure 5-4. Port D Signals

## 5.5.4 Port E Signals and Registers

Each of the three Port E signals not used as an SCI signal can be configured as a GPIO signal. Three registers control the GPIO functionality of Port E: Port E control register (PCRE), Port E

direction register (PRRE), and Port E data register (PDRE). **Chapter 8, *Serial Communication Interface (SCI)***, discusses these registers.

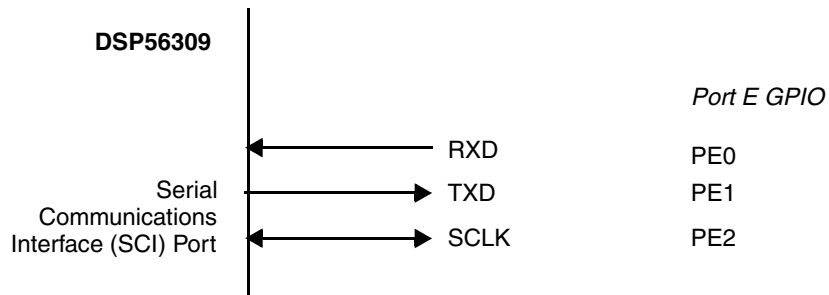


Figure 5-5. Port E Signals

### 5.5.5 Triple Timer Signals and Registers

Each of the three triple timer interface signals (TIO[0–2]) not used as a timer signal can be configured as a GPIO signal. Each signal is controlled by the appropriate timer control status register (TCSR[0–2]). **Chapter 9, *Triple Timer Module***, discusses these registers.

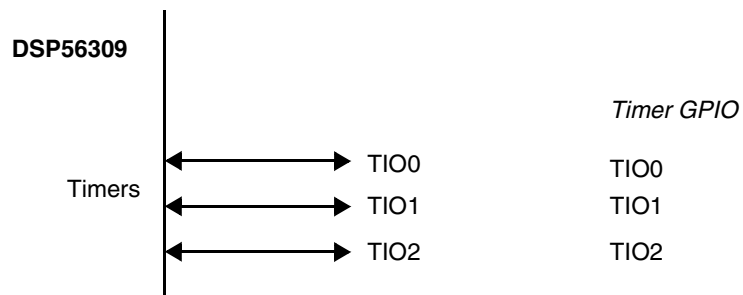


Figure 5-6. Triple Timer Signals

# Host Interface (HI08)

The host interface (HI08) is a byte-wide, full-duplex, double-buffered parallel port that can connect directly to the data bus of a host processor. The HI08 supports a variety of buses and provides glueless connection with a number of industry-standard microcomputers, microprocessors, and DSPs. The HI08 signals not used to interface to the host can be configured as GPIO signals, up to a total of 16.

## 6.1 Features

The HI08 host is a slave device that operates asynchronously to the DSP core and host clocks. Thus, the HI08 peripheral has a host processor interface and a DSP core interface. This section lists the features of the host processor and DSP core interfaces.

### 6.1.1 DSP Core Interface

- Mapping: Registers are directly mapped into eight internal X data memory locations.
- Data word: DSP56309 24-bit (native) data words are supported, as are 8-bit and 16-bit words.
- Handshaking protocols:
  - Software polled
  - Interrupt driven
  - Core DMA accesses
- Instructions:
  - Memory-mapped registers allow the standard MOVE instruction to transfer data between the DSP56309 and external hosts.
  - A special MOVEP instruction for I/O service capability using fast interrupts.
  - Bit addressing instructions (for example, BCHG, BCLR, BSET, BTST, JCLR, JSCLR, JSET, JSSET) simplify I/O service routines.

### 6.1.2 Host Processor Interface

- Sixteen signals support non-multiplexed or multiplexed buses:
  - H[0–7]/HAD[0–7] host data bus (H[0–7]) or host multiplexed address/data bus (HAD[0–7])
  - HAS/HA0 address strobe (HAS) or host address line (HA0)
  - HA8/HA1 host address line (HA8) or host address line (HA1)
  - HA9/HA2 host address line (HA9) or host address line (HA2)

- HRW/ $\overline{\text{HRD}}$  read/write select (HRW) or read strobe ( $\overline{\text{HRD}}$ )
- $\overline{\text{HDS}}$ / $\overline{\text{HWR}}$  data strobe ( $\overline{\text{HDS}}$ ) or write strobe ( $\overline{\text{HWR}}$ )
- $\overline{\text{HCS}}$ /HA10 host chip select ( $\overline{\text{HCS}}$ ) or host address line (HA10)
- $\overline{\text{HREQ}}$ / $\overline{\text{HTRQ}}$  host request ( $\overline{\text{HREQ}}$ ) or host transmit request ( $\overline{\text{HTRQ}}$ )
- $\overline{\text{HACK}}$ / $\overline{\text{HRRQ}}$  host acknowledge ( $\overline{\text{HACK}}$ ) or host receive request ( $\overline{\text{HRRQ}}$ )

**Note:** The signals in the above list that are shown as asserted low (for example,  $\overline{\text{HRD}}$ ) all have programmable polarity. The default value following reset is shown in the above list.

■ **Mapping:**

- HI08 registers are mapped into eight consecutive locations in the host's external bus address space.
- The HI08 acts as a memory or I/O-mapped peripheral for microprocessors, microcontrollers, and so forth.

■ **Transfer modes:**

- Mixed 8-bit, 16-bit, and 24-bit data transfers, DSP-to-host and host-to-DSP
- Host command

■ **Handshaking protocols:**

- Software polled
- Interrupt-driven (Interrupts are compatible with most processors, including the MC68000, 8051, HC11, and Hitachi H8.)

■ **Data word: 8 bits**

■ **Dedicated interrupts:**

- Separate request lines for each interrupt source
- Special host commands force DSP core interrupts under host processor control. These commands are useful for
  - Real-time production diagnostics
  - Creation of a debugging window for program development
  - Host control protocols

■ **Interface capabilities:**

- Glueless interface (no external logic required) to
  - HC11
  - Hitachi H8
  - 8051 family
  - Thomson P6 family
- Minimal glue logic (pull-ups, pull-downs) required to interface to
  - ISA bus
  - Freescale 68K family
  - Intel X86 family

## 6.2 Host Port Signals

The host port signals are discussed in **Chapter 2, Signals/Connections**. Each host port signal can be programmed as a host port signal or as a GPIO signal, PB[0–15]. See **Table 6-1** through **Table 6-3**.

**Table 6-1.** HI08 Signal Definitions for Operational Modes

HI08 Port Signal	Multiplexed Address/Data Bus Mode	Non-multiplexed Bus Mode	GPIO Mode
HAD[0–7]	HAD[0–7]	H[0–7]	PB[0–7]
$\overline{\text{HAS}}/\text{HA0}$	$\overline{\text{HAS}}/\text{HAS}$	HA0	PB8
HA8/HA1	HA8	HA1	PB9
HA9/HA2	HA9	HA2	PB10
$\overline{\text{HCS}}/\text{HA10}$	HA10	$\overline{\text{HCS}}/\text{HCS}$	PB13

**Table 6-2.** HI08 Data Strobe Signals

HI08 Port Signal	Single Strobe Mode	Dual Strobe Mode	GPIO Mode
HRW/ $\overline{\text{HRD}}$	HRW	$\overline{\text{HRD}}/\text{HRD}$	PB11
$\overline{\text{HDS}}/\text{HWR}$	$\overline{\text{HDS}}/\text{HDS}$	$\overline{\text{HWR}}/\text{HWR}$	PB12

**Table 6-3.** HI08 Host Request Signals

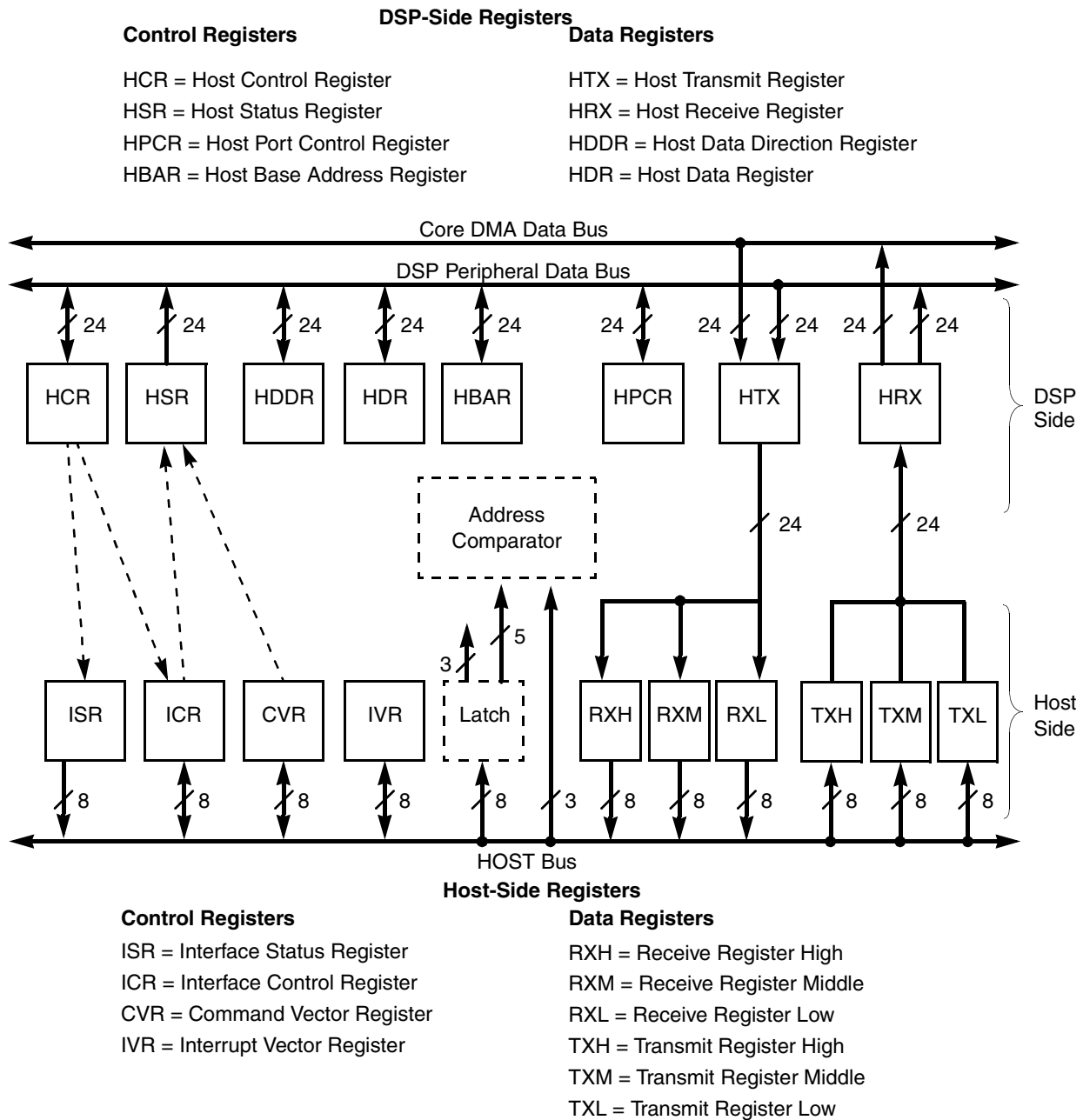
HI08 Port Signal	Single Host Request Mode	Double Host Request Mode	GPIO Mode
$\overline{\text{HREQ}}/\text{HTRQ}$	$\overline{\text{HREQ}}/\text{HREQ}$	$\overline{\text{HTRQ}}/\text{HTRQ}$	PB14
$\overline{\text{HACK}}/\text{HRRQ}$	$\overline{\text{HACK}}/\text{HACK}$	$\overline{\text{HRRQ}}/\text{HRRQ}$	PB15

The HI08 port can operate in multiplexed or non-multiplexed mode. In multiplexed mode (HPCR[11]:HMUX = 1), the lower eight address signals multiplex with the eight data lines. In non-multiplexed mode (HPCR[11]:HMUX = 0), the HI08 requires a chip select signal and three address lines to select one of the eight registers accessible to the host. Eight lines are used for data. The HI08 port can also be programmed to use a single or dual read/write data strobe and single or double host request.

Software and hardware resets clear all DSP-side control registers and configure the HI08 as GPIO. To select GPIO functions, clear HPCR bits 6 through 1; to select other HI08 functions, set those same bits. If the HI08 is in GPIO mode, the HDDR configures each corresponding signal in the HDR as an input signal if the HDDR bit is cleared or as an output signal if the HDDR bit is set. For details, see **Section 6.6.3, Host Data Direction Register (HDDR)**, on page 6-14 and **Section 6.6.4, Host Data Register (HDR)**, on page 6-15.

### 6.3 Overview

The HI08 is partitioned into two register banks, as **Figure 6-1** shows. The host-side register bank is accessible only to the host, and the DSP-side register bank is accessible only to the DSP core. For the host, the HI08 appears as eight byte-wide locations mapped in its external address space. The DSP-side registers appear to the DSP core as six 24-bit registers mapped into internal I/O X memory space and therefore accessible via standard DSP56300 instructions and addressing modes.



**Figure 6-1.** HI08 Block Diagram



In GPIO mode, two additional registers (HDDR and HDR) are related to the HI08 peripheral. The separate receive and transmit data paths are double buffered for efficient, high speed asynchronous transfers. The host-side transmit data path (host writes) is also the DSP-side receive path; the host-side receive data path (host reads) is also the DSP-side transmit path. The Receive (RXH:RXM:RXL) and Transmit Data Registers (TXH:TXM:TXL) use the same host address. During host writes to these addresses, the data is transferred to the Transmit Data Registers while reads are performed from the Receive Data Registers.

## 6.4 Operation

The HI08 is a slave-only device, so the host is the master of all bus transfers. In host-to-DSP transfers, the host writes data to the Transmit Data Registers (TXH:TXM:TXL). In DSP-to-host transfers the host reads data from the Receive Data Registers (RXH:RXM:RXL). The DSP side has access only to the Host Receive Data Register (HRX) and the Host Transmit Data Register (HTX). Data automatically moves between the host-side data registers and the DSP-side data registers when it is available. This double-buffered mechanism allows for fast data transfers but creates a “pipeline” that can either stall communication (if the pipeline is either full or empty) or cause erroneous data transfers (new data to be overwritten or old data to be read twice). The HI08 port has several handshaking mechanisms to counter these buffering effects.

Suppose the host is writing several pieces of data to the HI08 port. The host first uses one of the handshaking protocols to determine whether any data previously written to the Transmit Data Registers (TXH:TXM:TXL) has successfully transferred to the DSP side. If the host-side Transmit Data Registers (TXH:TXM:TXL) are empty, the host writes the data to these registers. The transfer to the DSP-side Host Receive Data Register (HRX) occurs only if HRX is empty (that is, the DSP has read it). The DSP core then uses an appropriate handshaking protocol to move data from the HRX to the receiving buffer or register. Without handshaking, the host might overwrite data not transferred to the DSP side or the DSP might receive stale data.

Similarly, when the host performs multiple reads from the HI08 port Receive Data Registers (RXH:RXM:RXL), the DSP side uses an appropriate handshaking protocol to determine whether any data previously written to the Host Transmit Register (HTX) has successfully transferred to the host-side registers. If HTX is empty, the DSP writes the data to this register. Data transfers to the host-side Receive Data Registers (RXH:RXM:RXL) occur only if they are empty (that is, the host has read them). The host can then use any of the available handshaking protocols to determine whether more data is ready to be read. The DSP56309 HI08 port offers the following handshaking protocols for data transfers with the host:

- Software polling
- Interrupts
- Core DMA access
- Host requests

The choice of which protocol to use is based on such system constraints as the amount of data to be transferred, the timing requirements for the transfer, and the availability of such resources as processing bandwidth and DMA channels. All of these constraints are discussed in the following sections. The transfers described here occur asynchronously between the host and the DSP; each transferring data at its own pace. However, use of the appropriate handshaking protocol allows data transfers to occur at optimum rates.

### 6.4.1 Software Polling

Software polling is the simplest data transfer method to use, but it demands the greatest amount of the core's processing power. Status bits are provided for the host or the DSP core to test and determine if the data registers are empty or full. However, the DSP core cannot be involved in other processing activities while it is polling these status bits.

On the DSP side, for transfers from the DSP to the host (host reads), the DSP core must determine the state of Host Transmit Data register (HTX). In transfers from the host to the DSP (host writes), the DSP side should determine the state of the Host Receive Data Register (HRX). Thus, two bits are provided to the core for polling:

- the Host Transmit Data Empty (HTDE) bit in the Host Status register (HSR[1]:HTDE)
- the Host Receive Data Full (HRDF) bit in the Host Status register (HSR[0]:HRDF)

A similar mechanism is available on the host-side to determine the state of the Transmit Registers (TXH:TXM:TXL) and Receive Registers (RXH:RHM:RHL). Two bits are provided to the host for polling:

- the Transmit Data Empty (TXDE) bit in the Interface Status Register (ISR[1]:TXDE)
- the Receive Data Full (RXDF) bit in the Interface Status Register (ISR[0]:RXDF)

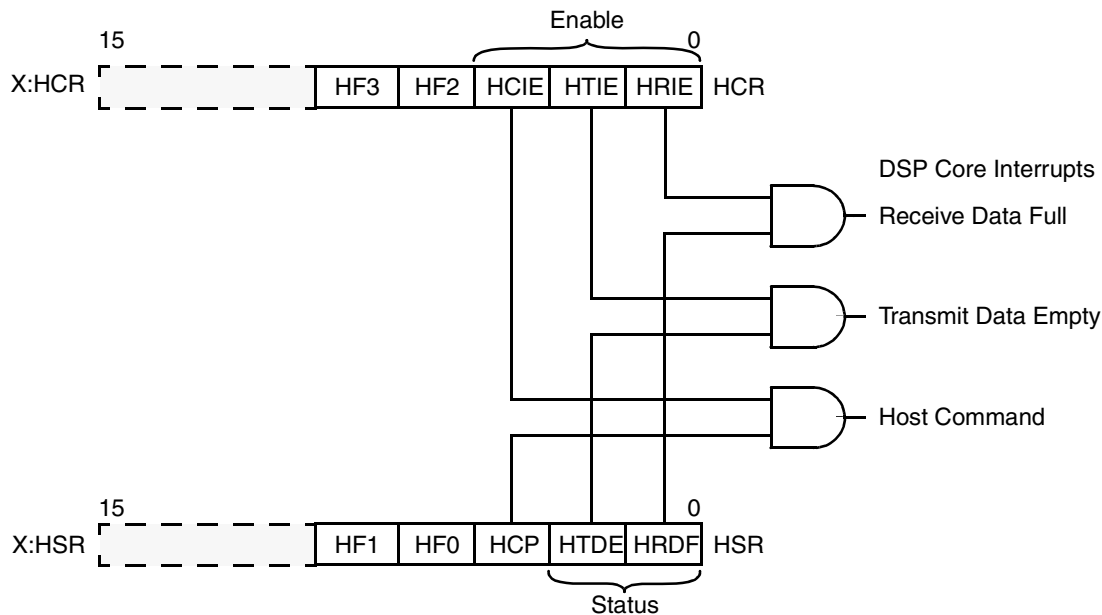
The HI08 also offers four general-purpose flags for communication between the host and the DSP. The DSP-side uses the HSR Host Flag bits (HCR[4–3] = HF[3–2]) to pass application-specific information to the host. The status of HF3–HF2 is reflected in the host-side ISR Host Flag bits (ISR[4–3] = HF[3–2]). Similarly, the host side can use the ICR Host Flag bits (ICR[4–3] = HF[1–0]) to pass application-specific information to the DSP. The status of HF[1–0] is reflected in the DSP-side HSR Host Flag bits (HSR[4–3] = HF[1–0]).

### 6.4.2 Core Interrupts and Host Commands

The HI08 can request interrupt service from the DSP56309 core. The DSP56309 core interrupts are internal and do not require the use of an external interrupt signal. When the appropriate interrupt enable bit in the HCR is set, an interrupt condition caused by the host interface sets the appropriate bit in the HSR, generating an interrupt request to the DSP56309 interrupt controller (see **Figure 6-2**). The DSP56309 acknowledges interrupts by jumping to the appropriate interrupt service routine. The following DSP core interrupts are possible from the HI08 peripheral:

- Host command
- Transmit data register empty
- Receive data register full

These interrupts are maskable via the Host Receive Interrupt Enable bit (HCR[0] = HRIE), the Host Transmit Interrupt Enable bit (HCR[1] = HTIE), and the Host Command Interrupt Enable bit (HCR[2] = HCIE), respectively. Receive Data Full and Transmit Data Empty interrupts move data to/from the HTX and HRX data registers. The DSP interrupt service routine must read or write the appropriate HI08 data register (HRX or HTX) to clear the interrupt condition.



**Figure 6-2.** HI08 Core Interrupt Operation

Host commands allow the host to issue command requests to the DSP by selecting any of 128 DSP interrupt routines for execution. For example, the host may issue a command via the HI08 that sets up and enables a DMA transfer. The DSP56309 processor has reserved interrupt vector addresses for application-specific service routines. However, this flexibility is independent of the data transfer mechanisms in the HI08 and allows the host to force execution of any interrupt handler (for example, SSI, SCI, IRQx, and so on).

To enable Host Command interrupts, the HCR[2] = HCIE bit is set on the DSP side. The host then uses the Command Vector Register (CVR) to start an interrupt routine. The host sets the Host Command bit (CVR[7] = HC) to request the command interrupt and the seven Host Vector bits CVR[6–0] = HV[6–0] to select the interrupt address to be used. When the DSP core recognizes the host command interrupt, the address of the interrupt taken is  $2xHV$ . For host command interrupts, the interrupt acknowledge from the DSP56309 program controller clears the pending interrupt condition.

**Note:** When the DSP enters Stop mode, the HI08 pins are electrically disconnected internally, thus disabling the HI08 until the core leaves Stop mode. Do *not* issue a STOP command via the HI08 unless some other mechanism for exiting this mode is provided.

### 6.4.3 Core DMA Access

The DSP56300 family Direct Memory Access (DMA) controller permits transfers between internal or external memory and I/O without any core intervention. A DMA channel can be set up to transfer data to/from the HTX and HRX data registers, freeing the core to use its processing power on functions other than polling or interrupt routines for the HI08. DMA may well be the best method to use for data transfers, but it requires that one of the six DMA channels be available for use. Two HI08 DMA sources are possible, as **Table 6-4** shows. Refer to the *DSP56300 Family Manual* to learn about DMA accesses.

**Table 6-4.** DMA Request Sources

Requesting Device	DCRx[15–11] = DRS[4–0]
Host Receive Data Full (HRDF = 1)	10011
Host Transmit Data Empty (HTDE = 1)	10100

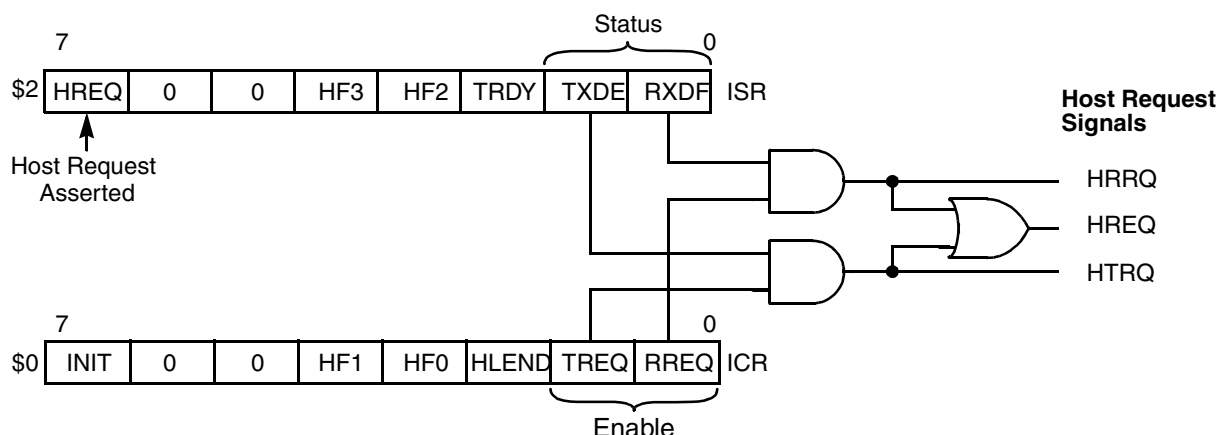
**Note:** DMA transfers do not access the host bus. The host must determine when data is available in the host-side data registers using an appropriate polling mechanism.

### 6.4.4 Host Requests

A set of signal lines allow the HI08 to request service from the host. The request signal lines normally connect to the host interrupt request pins (IRQx) and indicate to the host when the DSP HI08 port requires service. The HI08 can be configured to use either a single Host Request (HREQ) line for both receive and transmit requests or two signal lines, a Host Transmit Request (HTRQ) and a Host Receive Request (HRRQ), for each type of transfer.

Host requests are enabled on both the DSP-side and host-side. On the DSP side, the HPCR Host Request Enable bit (HPCR[4] = HREN) is set to enable host requests. On the host side, clearing the ICR Double Host Request bit (ICR[2] = HDRQ) configures the HI08 to use a single request line (HREQ). Setting the ICR[2] = HDRQ bit enables both transmit and request lines to be used. Further, the host uses the ICR Receive Request Enable bit (ICR[0] = RREQ) and the ICR Transmit Request Enable bit (ICR[1] = TREQ) to enable receive and transmit requests,

respectively. When host requests are enabled, the host request pins operate as shown in **Figure 6-3**.



**Figure 6-3.** HI08 Host Request Structure

**Table 6-5** shows the operation of the HREQ pin when a single request line is used. The host can test these ICR bits to determine the interrupt source.

**Table 6-5.** HREQ Pin Operation In Single Request Mode (ICR[2] = HDRQ = 0)

ICR[1] = TREQ	ICR[0] = RREQ	HREQ Pin
0	0	No interrupts
0	1	RXDF request enabled
1	0	TXDE request enabled
1	1	RXDF and TXDE request enabled

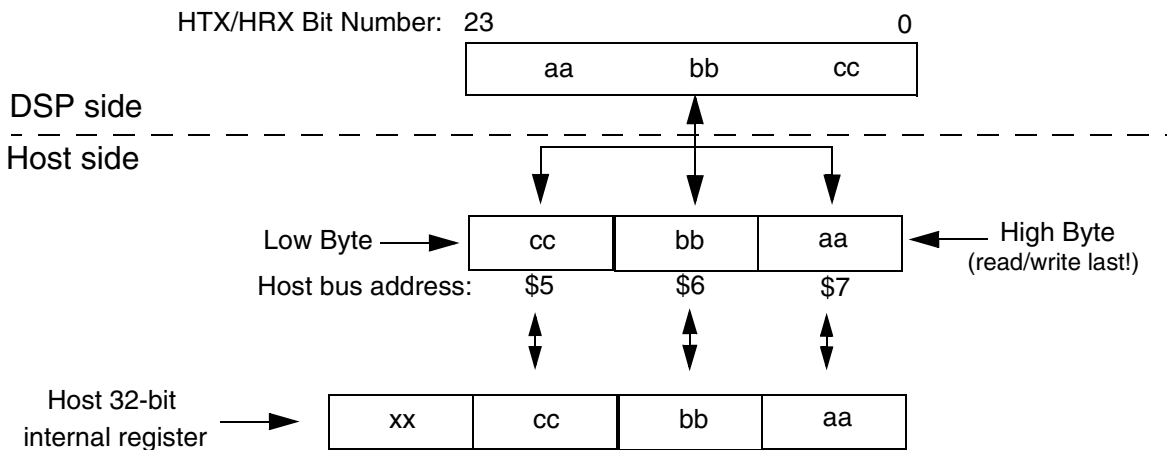
**Table 6-6** shows the operation of the transmit request (HTRQ) and receive request (HRRQ) lines with dual host requests enabled.

**Table 6-6.** HTRQ and HRRQ Pin Operation In Double Request Mode (ICR[2] = HDRQ = 1)

ICR[1] = TREQ	ICR[0] = RREQ	HTRQ Pin	HRRQ Pin
0	0	No interrupts	No interrupts
0	1	No interrupts	RXDF request enabled
1	0	TXDE Request enabled	No interrupts
1	1	TXDE Request enabled	RXDF request enabled

### 6.4.5 Endian Modes

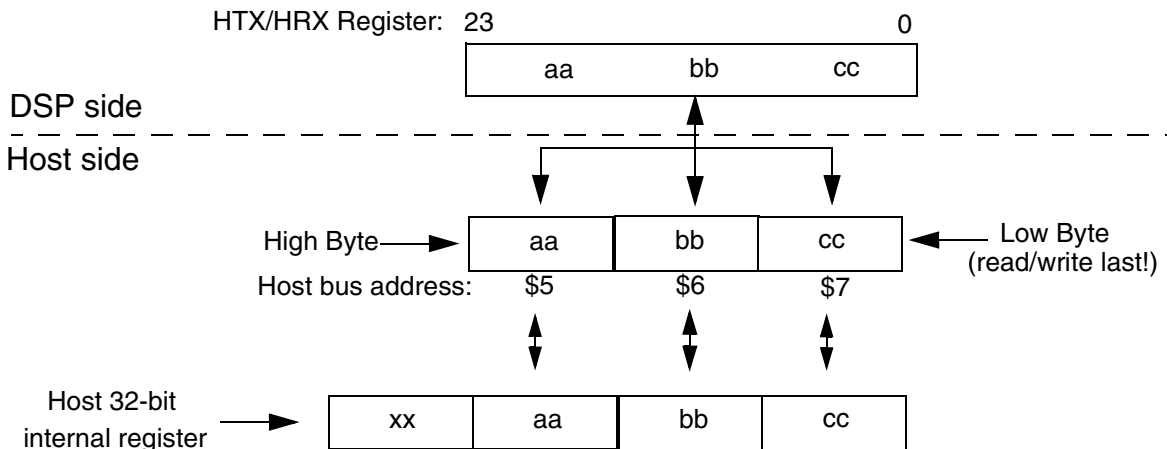
The Host Little Endian bit in the host-side Interface Control Register (ICR[5] = HLEND) allows the host to access the HI08 data registers in Big Endian or Little Endian mode. In Little Endian mode (HLEND = 1), a host transfer occurs as shown in **Figure 6-4**.



**Figure 6-4.** HI08 Read and Write Operations in Little Endian Mode

The host can transfer one byte at a time, so a 24-bit datum would be transferred using three store (or load) byte operations, ensuring that the data byte at host bus address \$7 is written last since this causes the transfer of the data to the DSP-side HRX. However, the host bus controller may be sophisticated enough that the host can transfer all bytes in a single operation (instruction). For example, in the PowerPC MPC860 processor, the General-Purpose Controller Module (GPCM) in the memory controller can be programmed so that the host can execute a single read (load word, LDW) or write (store word, STW) instruction to the HI08 port and cause four byte transfers to occur on the host bus. The 32-bit datum transfer shown in **Figure 6-4** has byte data xx written to HI08 address \$4, byte aa to address \$5, byte bb to address \$6 and byte cc to address \$7 (this assumes the 24-bit datum is contained in the lower 24 bits of the host’s 32-bit data register as shown).

A similar operation occurs when the HI08 is initialized in Big Endian mode by clearing the Host Little Endian bit (ICR[5] = HLEND). Big Endian mode is depicted in **Figure 6-5**.



**Figure 6-5.** HI08 Read and Write Operations in Big Endian Mode

## 6.5 Boot-up Using the HI08 Host Port

The DSP56300 core has eight bootstrap operating modes to start up after reset. As the processor exits the Reset state the value at the external mode pins MODA/ $\overline{\text{IRQA}}$ , MODB/ $\overline{\text{IRQB}}$ , MODC/ $\overline{\text{IRQC}}$  and MODD/ $\overline{\text{IRQD}}$  are loaded into the Chip Operating Mode bits (MA, MB, MC and MD) of the Operating Mode Register (OMR). These bits determine the bootstrap operating mode. Modes C, D, E and F use the HI08 host port to bootstrap the application code to the DSP. **Table 6-7** describes these modes.

**Table 6-7.** HI08 Boot Modes

Mode	MODD	MODC	MODB	MODA	HI08 Bootstrap Description
C	1	1	0	0	ISA/DSP5630x mode
D	1	1	0	1	HC11 non-multiplexed bus mode
E	1	1	1	0	8051 multiplexed bus mode
F	1	1	1	1	MC68302 bus mode

The bootstrap program is factory-programmed into an internal 192-word by 24-bit bootstrap ROM at locations \$FF0000–\$FF00BF of P memory. This program can load program RAM segment from the HI08 host port. When any of the modes in the preceding table are used, the core begins executing the bootstrap program and configures the HI08 based on the OMR mode bits.

The bootstrap program then expects the following data sequence when the user program is downloaded from the HI08:

1. Three bytes (least significant byte first) indicating the number of 24-bit program words to be loaded.
2. Three bytes (least significant byte first) indicating the 24-bit starting address in P-memory to load the user's program.
3. The user program (three bytes, least significant byte first, for each program word).

Once the bootstrap program finishes loading the specified number of words, it jumps to the specified starting address and executes the loaded program.

## 6.6 DSP Core Programming Model

The DSP56300 core treats the HI08 as a memory-mapped peripheral occupying eight 24-bit words in X data memory space. The DSP can use the HI08 as a normal memory-mapped peripheral, employing either standard polled or interrupt-driven programming techniques. Separate transmit and receive data registers are double-buffered to allow the DSP and host processor to transfer data efficiently at high speed. Direct memory mapping allows the DSP56309 core to communicate with the HI08 registers using standard instructions and



addressing modes. In addition, the MOVEP instruction allows direct data transfers between DSP56309 internal memory and the HI08 registers or *vice versa*.

There are two types of host processor registers, data and control, with eight registers in all. The DSP core can access all eight registers, but the external host cannot. The following data registers are 24-bit registers used for high-speed data transfers by the DSP core.

- Host data receive register (HRX), on **page 6-19**
- Host data transmit register (HTX), on **page 6-19**

The DSP-side control registers are 16-bit registers that control HI08 functionality:


- Host control register (HCR), on **page 6-12**
- Host status register (HSR), on **page 6-13**
- Host GPIO data direction register (HDDR), on **page 6-14**
- Host GPIO data register (HDR), on **page 6-15**
- Host base address register (HBAR), on **page 6-15**
- Host port control register (HPCR), on **page 6-16**

Both hardware and software resets disable the HI08. After a reset, the HI08 signals are configured as GPIO and disconnected from the DSP56300 core (that is, the signals are left floating).

### 6.6.1 Host Control Register (HCR)


This read/write register controls the HI08 interrupt operation. Initialization values for HCR bits are presented in **Section 6.6.9, DSP-Side Registers After Reset**, on page 6-20.

15	14	13	12	11	10	9	8	7	6	5	4	3	2	1	0
											HF3	HF2	HCIE	HTIE	HRIE

—Reserved bit; read as 0; write to 0 for future compatibility.

**Figure 6-6.** Host Control Register (HCR) (X:\$FFFC2)

**Table 6-8.** Host Control Register (HCR) Bit Definitions

Bit Number	Bit Name	Reset Value	Description
15–5		0	Reserved. Write to 0 for future compatibility.
4–3	HF[3–2]	0	<b>Host Flags 2, 3</b> General-purpose flags for DSP-to-host communication. The DSP core can set or clear HF[3–2]. The values of HF[3–2] are reflected in the interface status register (ISR); that is, if they are modified by the DSP software, the host processor can read the modified values by reading the ISR. These two general-purpose flags can be used individually or as encoded pairs in a simple DSP-to-host communication protocol, implemented in both the DSP and the host processor software. The bit value is indeterminate after an individual reset.




**Table 6-8.** Host Control Register (HCR) Bit Definitions

Bit Number	Bit Name	Reset Value	Description	
2	HCIE	0	<b>Host Command Interrupt Enable</b> Generates a host command interrupt request if the host command pending (HCP) status bit in the HSR is set. If HCIE is cleared, HCP interrupts are disabled. The interrupt address is determined by the host command vector register (CVR). NOTE: If more than one interrupt request source is asserted and enabled (for example, HRDF is set, HCP is set, HRIE is set, and HCIE is set), the HI08 generates interrupt requests according to priorities shown here. The bit value is indeterminate after an individual reset.	
			<b>Priority</b>	<b>Interrupt Source</b>
			Highest	Host Command (HCP = 1)
			Lowest	Receive Data (HRDF = 1)
1	HTIE	0	<b>Host Transmit Interrupt Enable</b> Generates a host transmit data interrupt request if the host transmit data empty (HTDE) bit in the HSR is set. The HTDE bit is set when data is transferred from the HTX to the RXH, RXM, or RXL registers. If HTIE is cleared, HTDE interrupts are disabled. The bit value is indeterminate after an individual reset.	
0	HRIE	0	<b>Host Receive Interrupt Enable</b> Generates a host receive data interrupt request if the host receive data full (HRDF) bit in the host status register (HSR, Bit 0) is set. The HRDF bit is set when data is transferred to the HRX from the TXH, TXM, or TXL registers. If HRIE is cleared, HRDF interrupts are disabled. The bit value is indeterminate after an individual reset.	

### 6.6.2 Host Status Register (HSR)


The HSR is a 16-bit read-only status register by which the DSP reads the HI08 status and flags. The host processor cannot access it directly. The initialization values for the HSR bits are discussed in **Section 6.6.9, DSP-Side Registers After Reset**, on page 6-20.

15	14	13	12	11	10	9	8	7	6	5	4	3	2	1	0
											HF1	HF0	HCP	HTDE	HRDF

—Reserved bit; read as 0; write to 0 for future compatibility.

**Figure 6-7.** Host Status Register (HSR) (X:\$FFFFC3)

**Table 6-9.** Host Status Register (HSR) Bit Definitions

Bit Number	Bit Name	Reset Value	Description
15–5		0	Reserved. Write to 0 for future compatibility.

**Table 6-9.** Host Status Register (HSR) Bit Definitions (Continued)

Bit Number	Bit Name	Reset Value	Description
4–3	HF[1–0]	0	<b>Host Flags 0, 1</b> General-purpose flags for host-to-DSP communication. These bits reflect the status of host flags HF[1–0] in the ICR on the host side. These two general-purpose flags can be used individually or as encoded pairs in a simple host-to-DSP communication protocol, implemented in both the DSP and the host processor software.
2	HCP	0	<b>Host Command Pending</b> Reflects the status of the CVR[HC] bit. When set, it indicates that a host command interrupt is pending. HI08 hardware clears HC and HCP when the DSP core services the interrupt request. If the host clears HC, HCP is also cleared.
1	HTDE	0	<b>Host Transmit Data Empty</b> Indicates that the host transmit data register (HTX) is empty and can be written by the DSP core. HTDE is set when the HTX register is transferred to the RXH:RXM:RXL registers. The host processor can also set HTDE using the initialize function. HTDE is cleared when the DSP core writes to HTX.
0	HRDF	0	<b>Host Receive Data Full</b> Indicates that the host receive data register (HRX) contains data from the host processor. HRDF is set when data is transferred from the TXH:TXM:TXL registers to the HRX register. The host processor can also clear HRDF using the initialize function.

### 6.6.3 Host Data Direction Register (HDDR)

The HDDR controls the direction of the data flow for each of the HI08 signals configured as GPIO. Even when the HI08 functions as the host interface, its unused signals can be configured as GPIO signals. For information on the HI08 GPIO configuration options, see **Section 6.2, Host Port Signals**, on page 6-3. If Bit DR $_{xx}$  is set, the corresponding HI08 signal is configured as an output signal. If Bit DR $_{xx}$  is cleared, the corresponding HI08 signal is configured as an input signal. Hardware and software reset clear the HDDR bits.

15	14	13	12	11	10	9	8	7	6	5	4	3	2	1	0
DR15	DR14	DR13	DR12	DR11	DR10	DR9	DR8	DR7	DR6	DR5	DR4	DR3	DR2	DR1	DR0

**Figure 6-8.** Host Data Direction Register (HDDR) (X:\$FFFFC8)

## 6.6.4 Host Data Register (HDR)

The HDR register holds the data value of the corresponding bits of the HI08 signals configured as GPIO signals. The functionality of  $D_{xx}$  depends on the corresponding HDDR bit (that is,  $DR_{xx}$ ). The host processor can not access the Host Data Register (HDR)

15	14	13	12	11	10	9	8	7	6	5	4	3	2	1	0
D15	D14	D13	D12	D11	D10	D9	D8	D7	D6	D5	D4	D3	D2	D1	D0

**Figure 6-9.** Host Data Register (HDR) (X:\$FFFC8)

**Table 6-10.** HDR and HDDR Functionality

HDDR	HDR	
	D <sub>xx</sub>	
	GPIO Signal <sup>1</sup>	Non-GPIO Signal <sup>1</sup>
0	Read-only bit—The value read is the binary value of the signal. The corresponding signal is configured as an input.	Read-only bit—Does not contain significant data.
1	Read/write bit— The value written is the value read. The corresponding signal is configured as an output and is driven with the data written to D <sub>xx</sub> .	Read/write bit— The value written is the value read.

1. Defined by the selected configuration.

## 6.6.5 Host Base Address Register (HBAR)

In multiplexed bus modes, HBAR selects the base address where the host-side registers are mapped into the host bus address space. The address from the host bus is compared with the base address as programmed in the Base Address Register. An internal chip select is generated if a match is found. **Figure 6-11** shows how the chip-select logic uses HBAR.

15	14	13	12	11	10	9	8	7	6	5	4	3	2	1	0
								BA10	BA9	BA8	BA7	BA6	BA5	BA4	BA3

—Reserved bit, read as 0, write to 0 for future compatibility.

**Figure 6-10.** Host Base Address Register (HBAR) (X:\$FFFC5)

**Table 6-11.** Host Base Address Register (HBAR) Bit Definitions

Bit Number	Bit Name	Reset Value	Description
15–8		0	Reserved. Write to 0 for future compatibility.
7–0	BA[10–3]	\$80	<b>Base Address</b> Reflect the base address where the host-side registers are mapped into the bus address space.

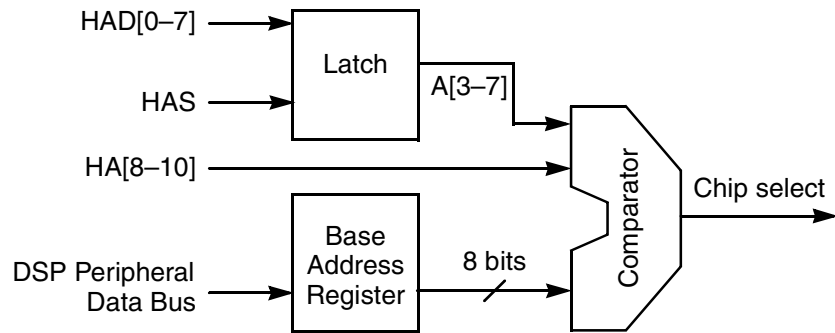


Figure 6-11. Self Chip-Select Logic

### 6.6.6 Host Port Control Register (HPCR)

The HPCR is a read/write control register that controls the HI08 operating mode. HPCR bit initialization values are discussed in Section 6.6.9, *DSP-Side Registers After Reset*, on page 6-20. Hardware and software reset clear the HPCR bits.

15	14	13	12	11	10	9	8	7	6	5	4	3	2	1	0
HAP	HRP	HCSP	HDDS	HMUX	HASP	HDSP	HROD		HEN	HAEN	HREN	HCSSEN	HA9EN	HA8EN	HGEN

—Reserved bit, read as 0; write to 0 for future compatibility.

Figure 6-12. Host Port Control Register (HPCR) (X:\$FFFFC4)

To assure proper operation of the DSP56309, the HPCR bits HAP, HRP, HCSP, HDDS, HMUX, HASP, HDSP, HROD, HAEN, and HREN should be changed only if HEN is cleared. Similarly, the HPCR bits HAP, HRP, HCSP, HDDS, HMUX, HASP, HDSP, HROD, HAEN, HREN, HCSSEN, HA9EN, and HA8EN should not be set when HEN is set nor at the time HEN is set.

Table 6-12. Host Port Control Register (HPCR) Bit Definitions

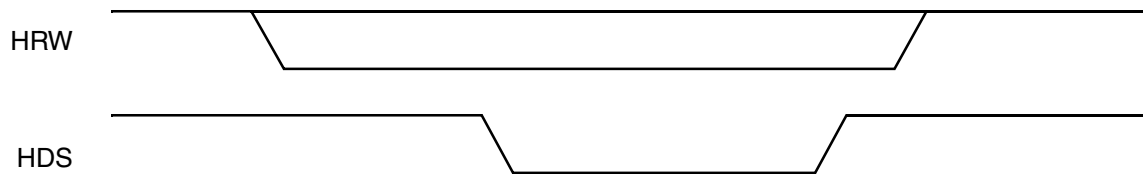
Bit Number	Bit Name	Reset Value	Description
15	HAP	0	<b>Host Acknowledge Polarity</b> If HAP is cleared, the host acknowledge (HACK) signal is configured as an active low input. The HI08 drives the contents of the IVR onto the host bus when the HACK signal is low. If the HAP bit is set, the HACK signal is configured as an active high input. The HI08 outputs the contents of the IVR when the HACK signal is high.
14	HRP	0	<b>Host Request Polarity</b> Controls the polarity of the host request signals. In single host request mode (that is, when HDRQ is cleared in the ICR), if HRP is cleared and host requests are enabled (that is, if HREN is set and HEN is set), then the HREQ signal is an active low output. If HRP is set and host requests are enabled, the HREQ signal is an active high output. In the double host request mode (that is, when HDRQ is set in the ICR), if HRP is cleared and host requests are enabled (that is, if HREN is set and HEN is set), then the HTRQ and HRRQ signals are active low outputs. If HRP is set and host requests are enabled, the HTRQ and HRRQ signals are active high outputs.

**Table 6-12.** Host Port Control Register (HPCR) Bit Definitions (Continued)

Bit Number	Bit Name	Reset Value	Description
13	HCSP	0	<b>Host Chip Select Polarity</b> If the HCSP bit is cleared, the host chip select (HCS) signal is configured as an active low input and the HI08 is selected when the HCS signal is low. If the HCSP signal is set, HCS is configured as an active high input and the HI08 is selected when the HCS signal is high.
12	HDDS	0	<b>Host Dual Data Strobe</b> If the HDDS bit is cleared, the HI08 operates in single-strobe bus mode. In this mode, the bus has a single data strobe signal for both reads and writes. If the HDDS bit is set, the HI08 operates in dual strobe bus mode. In this mode, the bus has two separate data strobes: one for data reads, the other for data writes. See <b>Figure 6-13</b> on page -19 and <b>Figure 6-14</b> on page -19 for details on dual and single strobe modes.
11	HMUX	0	<b>Host Multiplexed Bus</b> If HMUX is set, the HI08 operates in multiplex mode, latching the lower portion of a multiplexed address/data bus. In this mode the internal address line values of the host registers are taken from the internal latch. If HMUX is cleared, it indicates that the HI08 is connected to a non-multiplexed type of bus. The values of the address lines are then taken from the HI08-dedicated address signals.
10	HASP	0	<b>Host Address Strobe Polarity</b> If HASP is cleared, the host address strobe (HAS) signal is an active low input, and the address on the host address/data bus is sampled when the HAS signal is low. If HASP is set, HAS is an active-high address strobe input, and the address on the host address or data bus is sampled when the HAS signal is high.
9	HDSP	0	<b>Host Data Strobe Polarity</b> If HDSP is cleared, the data strobe signals are configured as active low inputs, and data is transferred when the data strobe is low. If HDSP is set, the data strobe signals are configured as active high inputs, and data is transferred when the data strobe is high. The data strobe signals are either HDS by itself or both HRD and HWR together.
8	HROD	0	<b>Host Request Open Drain</b> Controls the output drive of the host request signals. In the single host request mode (that is, when HDRQ is cleared in ICR), if HROD is cleared and host requests are enabled (that is, if HREN is set and HEN is set in the host port control register (HPCR)), then the HREQ signal is always driven by the HI08. If HROD is set and host requests are enabled, the HREQ signal is an open drain output. In the double host request mode (that is, when HDRQ is set in the ICR), if HROD is cleared and host requests are enabled (that is, if HREN is set and HEN is set in the HPCR), then the HTRQ and HRRQ signals are always driven. If HROD is set and host requests are enabled, the HTRQ and HRRQ signals are open drain outputs.
7		0	Reserved. Write to 0 for future compatibility.
6	HEN	0	<b>Host Enable</b> If HEN is set, the HI08 operates as the host interface. If HEN is cleared, the HI08 is not active, and all the HI08 signals are configured as GPIO signals according to the value of the HDDR and HDR.

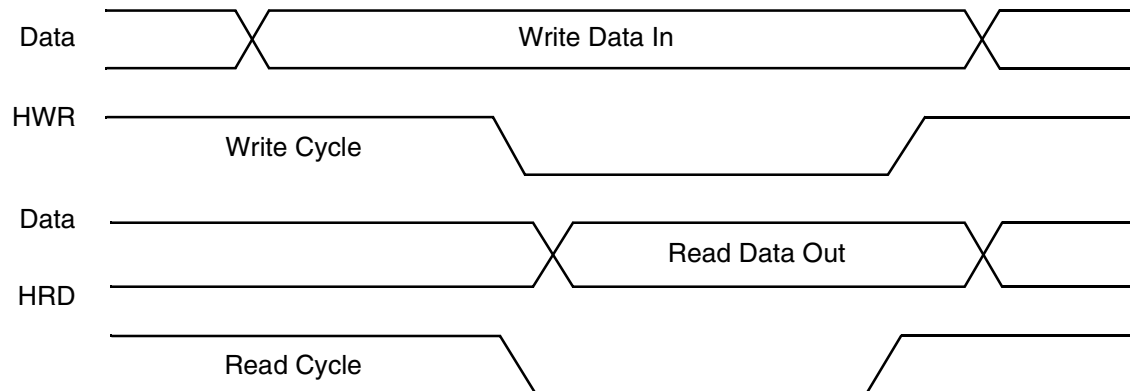
**Table 6-12.** Host Port Control Register (HPCR) Bit Definitions (Continued)

Bit Number	Bit Name	Reset Value	Description
5	HAEN	0	<p><b>Host Acknowledge Enable</b> Controls the HACK signal. In the single host request mode (HDRQ is cleared in the ICR), if HAEN and HREN are both set, HACK/HRRQ is configured as the host acknowledge (HACK) input. If HAEN or HREN is cleared, HACK/HRRQ is configured as a GPIO signal according to the value of the HDDR and HDR. In the double host request mode (HDRQ is set in the ICR), HAEN is ignored.</p>
4	HREN	0	<p><b>Host Request Enable</b> Controls the host request signals. If HREN is set and the HI08 is in the single host request mode (that is, if HDRQ is cleared in the host interface control register (ICR)), then HREQ/HTRQ is configured as the host request (HREQ) output. If HREN is cleared, HREQ/HTRQ and HACK/HRRQ are configured as GPIO signals according to the value of the HDDR and HDR.</p> <p>If HREN is set in the double host request mode (that is, if HDRQ is set in the ICR), HREQ/HTRQ is configured as the host transmit request (HTRQ) output and HACK/HRRQ as the host receive request (HRRQ) output. If HREN is cleared, HREQ/HTRQ and HACK/HRRQ are configured as GPIO signals according to the value of the HDDR and HDR.</p>
3	HCSEN	0	<p><b>Host Chip Select Enable</b> If the HCSEN bit is set, HCS/HA10 is a host chip select (HCS) in the non-multiplexed bus mode (that is, when HMUX is cleared) and host address line 10 (HA10) in the multiplexed bus mode (that is, when HMUX is set). If this bit is cleared, HCS/HA10 is configured as a GPIO signal according to the value of the HDDR and HDR.</p>
2	HA9EN	0	<p><b>Host Address Line 9 Enable</b> If HA9EN is set and the HI08 is in multiplexed bus mode, then HA9/HA2 is host address line 9 (HA9). If this bit is cleared and the HI08 is in multiplexed bus mode, then HA9/HA2 is configured as a GPIO signal according to the value of the HDDR and HDR.</p> <p>NOTE: HA9EN is ignored when the HI08 is not in the multiplexed bus mode (that is, when HMUX is cleared).</p>
1	HA8EN	0	<p><b>Host Address Line 8 Enable</b> If HA8EN is set and the HI08 is in multiplexed bus mode, then HA8/A1 is host address line 8 (HA8). If this bit is cleared and the HI08 is in multiplexed bus mode, then HA8/HA1 is a GPIO signal according to the value of the HDDR and HDR.</p> <p>NOTE: HA8EN is ignored when the HI08 is not in the multiplexed bus mode (that is, when HMUX is cleared).</p>
0	HGEN	0	<p><b>Host GPIO Port Enable</b> Enables/disables signals configured as GPIO. If this bit is cleared, signals configured as GPIO are disconnected: outputs are high impedance, inputs are electrically disconnected. Signals configured as HI08 are not affected by the value of HGEN.</p>



In a single-strobe mode, a DS (data strobe) signal qualifies the access, while a R/W (Read-Write) signal specifies the direction of the access.

**Figure 6-13. Single-Strobe Mode**



In dual-strobe mode, separate HRD and HWR signals specify the access as a read or write access, respectively.

**Figure 6-14. Dual-Strobe Mode**

### 6.6.7 Host Transmit (HTX) Register

The HTX register is used in DSP-to-host data transfers. The DSP56309 views it as a 24-bit write-only register. Its address is X:\$FFFC7. Writing to the HTX register clears the host transfer data empty bit (HSR[HTDE]) on the DSP side. The contents of the HTX register are transferred as 24-bit data to the Receive Data Registers (RXH:RXM:RXL) when both HSR[HTDE] and receive data full (ISR[RXDF]) on the host-side bits are cleared. This transfer operation sets the ISR[RXDF] and HSR[HTDE] bits. The DSP56309 can set the HCR[HTIE] bit to cause a host transmit data interrupt when HSR[HTDE] is set. To prevent the previous data from being overwritten, the DSP56309 should never write to the HTX when HSR[HTDE] is cleared.

**Note:** When data is written to a peripheral device, there is a two-cycle pipeline delay until any status bits affected by this operation are updated. If you read any of the status bits within the next two cycles, the bit does not reflect its current status. For details, see **Section 6.4.1, Software Polling**, on page 6-6.

### 6.6.8 Host Receive (HRX) Register

The HRX register is used in host-to-DSP data transfers. The DSP56309 views it as a 24-bit read-only register. Its address is X:\$FFFC6. It is loaded with 24-bit data from the transmit data

registers (TXH:TXM:TXL on the host side) when both the transmit data register empty (ISR[TXDE]) on the host side and host receive data full (HSR[HRDF]) on the DSP side are cleared. The transfer operation sets both ISR[TXDE] and HSR[HRDF]. When the HSR[HRDF] is set, the HRX register contains valid data. The DSP56309 can set the HCR[HRIE] to cause a host receive data interrupt when HSR[HRDF] is set. When the DSP56309 reads the HRX register, the HSR[HRDF] bit is cleared.

**Note:** The DSP56309 should never try to read the HRX register if the HSR[HRDF] bit is already cleared.

### 6.6.9 DSP-Side Registers After Reset

**Table 6-13** shows the results of the four reset types on the bits in each of the HI08 registers accessible to the DSP56309. The hardware reset (HW) is caused by the  $\overline{\text{RESET}}$  signal. The software reset (SW) is caused by execution of the RESET instruction. The individual reset (IR) occurs when HPCR[HEN] is cleared. The stop reset (ST) occurs when the STOP instruction executes.

**Table 6-13.** DSP-Side Registers After Reset

Register Name	Register Data	Reset Type			
		HW Reset	SW Reset	IR Reset	ST Reset
HCR	All bits	0	0	—	—
HPCR	All bits	0	0	—	—
HSR	HF[1–0]	0	0	—	—
	HCP	0	0	0	0
	HTDE	1	1	1	1
	HRDF	0	0	0	0
HBAR	BA[10–3]	\$80	\$80	—	—
HDDR	DR[15–0]	0	0	—	—
HDR	D[15–0]	—	—	—	—
HRX	HRX [23–0]	empty	empty	empty	empty
HTX	HTX [23–0]	empty	empty	empty	empty

**Note:** A long dash (—) denotes that the bit value is not affected by the specified reset.

## 6.7 Host Programmer Model

The HI08 provides a simple, high-speed interface to a host processor. To the host bus, the HI08 appears to be eight byte-wide registers. Separate transmit and receive data paths are double-buffered to allow the DSP core and host processor to transfer data efficiently at high speed. The host can access the HI08 asynchronously using polling techniques or interrupt-based



techniques. The HI08 appears to the host processor as a memory-mapped peripheral occupying eight bytes in the host processor address space. (See **Table 6-14**.)

The eight HI08 registers include the following:

- A control register (ICR), on **page 6-22**
- A status register (ISR), on **page 6-24**
- Three data registers (RXH/TXH, RXM/TXM, and RXL/TXL), on **page 6-26**
- Two vector registers (CVR and IVR), on **page 6-24** and **page 6-26**

To transfer data between itself and the HI08, the host processor bus performs the following steps:

1. Asserts the HI08 address and strobes to select the register to be read or written. (Chip select in non-multiplexed mode, the address strobe in multiplexed mode.)
2. Selects the direction of the data transfer. If it is writing, the host processor places the data on the bus. Otherwise, the HI08 places the data on the bus.
3. Strokes the data transfer.

Host processors can use standard host processor instructions (for example, byte move) and addressing modes to communicate with the HI08 registers. The HI08 registers are aligned so that 8-bit host processors can use 8-, 16-, or 24-bit load and store instructions for data transfers. The HREQ/HTRQ and HACK/HRRQ handshake flags are provided for polled or interrupt-driven data transfers with the host processor. Because of the speed of the DSP56309 interrupt response, most host microprocessors can load or store data at their maximum programmed I/O instruction rate without testing the handshake flags for each transfer. If full handshake is not needed, the host processor can treat the DSP56309 as a fast device, and data can be transferred between the host processor and the DSP56309 at the fastest data rate of the host processor.

One of the most innovative features of the host interface is the host command feature. With this feature, the host processor can issue vectored interrupt requests to the DSP56309. The host can select any of 128 DSP interrupt routines for execution by writing a vector address register in the HI08. This flexibility allows the host processor to execute up to 128 pre-programmed functions inside the DSP56309. For example, the DSP56309 host interrupts allow the host processor to read or write DSP registers (X, Y, or program memory locations), force interrupt handlers (for example, ESSI, SCI,  $\overline{\text{IRQA}}$ ,  $\overline{\text{IRQB}}$  interrupt routines), and perform control or debugging operations.

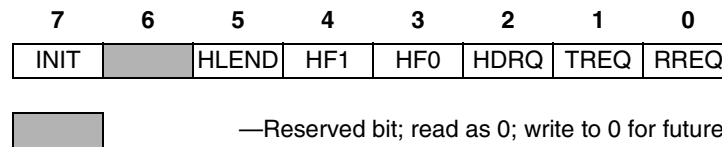
**Note:** When the DSP enters Stop mode, the HI08 signals are electrically disconnected internally, thus disabling the HI08 until the core leaves stop mode. While the HI08 configuration remains unchanged in Stop mode, the core cannot be restarted via the HI08 interface. Do not issue a STOP command to the DSP via the HI08 unless you provide some other mechanism to exit stop mode.

**Table 6-14.** Host-Side Register Map

Host Address	Big Endian HLEND = 0	Little Endian HLEND = 1	Register Name
0	ICR	ICR	Interface Control
1	CVR	CVR	Command Vector
2	ISR	ISR	Interface Status
3	IVR	IVR	Interrupt Vector
4	00000000	00000000	Unused
5	RXH/TXH	RXL/TXL	Receive/Transmit Data
6	RXM/TXM	RXM/TXM	
7	RXL/TXL	RXH/TXH	

### 6.7.1 Interface Control Register (ICR)

The ICR is an 8-bit read/write control register by which the host processor controls the HI08 interrupts and flags. The DSP core cannot access the ICR. The ICR is a read/write register, which allows the use of bit manipulation instructions on control register bits. Hardware and software reset clear the ICR bits.

**Figure 6-15.** Interface Control Register (ICR)**Table 6-15.** Interface Control Register (ICR) Bit Definitions

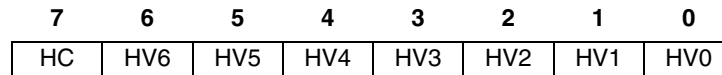
Bit Number	Bit Name	Reset Value	Description			
7	INIT	0	<b>Initialize</b>			
			The host processor uses INIT to force initialization of the HI08 hardware. During initialization, the HI08 transmit and receive control bits are configured. Use of the INIT bit to initialize the HI08 hardware depends on the software design of the interface. The type of initialization when the INIT bit is set depends on the state of TREQ and RREQ. The INIT command, which is local to the HI08, configures the HI08 into the desired data transfer mode. When the host sets the INIT bit, the HI08 hardware executes the INIT command. The interface hardware clears the INIT bit after the command executes.			
			<b>TREQ</b>	<b>RREQ</b>	<b>After INIT Execution</b>	<b>Transfer Direction</b>
			0	0	INIT = 0	None
			0	1	INIT = 0; RXDF = 0; HTDE = 1	DSP to host
1	0	INIT = 0; TXDE = 1; HRDF = 0	Host to DSP			
1	1	INIT = 0; RXDF = 0; HTDE = 1; TXDE = 1; HRDF = 0	Host to/from DSP			

**Table 6-15.** Interface Control Register (ICR) Bit Definitions (Continued)

Bit Number	Bit Name	Reset Value	Description		
6		0	Reserved. Write to 0 for future compatibility.		
5	HLEND	0	<b>Host Little Endian</b> If the HLEND bit is cleared, the host can access the HI08 in Big-Endian byte order. If set, the host can access the HI08 in Little-Endian byte order. If the HLEND bit is cleared the RXH/TXH register is located at address \$5, the RXM/TXM register at \$6, and the RXL/TXL register at \$7. If the HLEND bit is set, the RXH/TXH register is located at address \$7, the RXM/TXM register at \$6, and the RXL/TXL register at \$5.		
4	HF1	0	<b>Host Flag 1</b> A general-purpose flag for host-to-DSP communication. The host processor can set or clear HF1, and the DSP56309 can not change it. HF1 is reflected in the HSR on the DSP side of the HI08.		
3	HF0	0	<b>Host Flag 0</b> A general-purpose flag for host-to-DSP communication. The host processor can set or clear HF0, and the DSP56309 cannot change it. HF0 is reflected in the HSR on the DSP side of the HI08.		
2	HDRQ	0	<b>Double Host Request</b> If cleared, the HDRQ bit configures HREQ/HTRQ and HACK/HRRQ as HREQ and HACK, respectively. If HDRQ is set, HREQ/HTRQ is configured as HTRQ, and HACK/HRRQ is configured as HRRQ.		
1	TREQ	0	<b>Transmit Request Enable</b> Enables host requests via the host request (HREQ or HTRQ) signal when the transmit data register empty (TXDE) status bit in the ISR is set. If TREQ is cleared, TXDE interrupts are disabled. If TREQ and TXDE are set, the host request signal is asserted.		
			<b>TREQ and RREQ modes (HDRQ = 0)</b>		
		<b>TREQ</b>	<b>RREQ</b>		
			<b>HREQ Signal</b>		
		0	0	No interrupts (polling)	
		0	1	RXDF request (interrupt)	
		1	0	TXDE request (interrupt)	
		1	1	RXDF and TXDE request (interrupts)	
			<b>TREQ and RREQ modes (HDRQ = 1)</b>		
		<b>TREQ</b>	<b>RREQ</b>	<b>HTRQ Signal</b>	<b>HRRQ Signal</b>
		0	0	No interrupts (polling)	No interrupts (polling)
		0	1	No interrupts (polling)	RXDF request (interrupt)
		1	0	TXDE request (interrupt)	No interrupts (polling)
		1	1	TXDE request (interrupt)	RXDF request (interrupt)
0	RREQ	0	<b>Receive Request Enable</b> Controls the HREQ signal for host receive data transfers. RREQ enables host requests via the host request (HREQ or HRRQ) signal when the receive data register full (RXDF) status bit in the ISR is set. If RREQ is cleared, RXDF interrupts are disabled. If RREQ and RXDF are set, the host request signal (HREQ or HRRQ) is asserted.		

## 6.7.2 Command Vector Register (CVR)

The host processor uses the CVR, an 8-bit read/write register, to cause the DSP56309 to execute an interrupt. The host command feature is independent of any of the data transfer mechanisms in the HI08. It causes execution of any of the 128 possible interrupt routines in the DSP core. Hardware, software, individual, and stop resets clear the CVR bits.



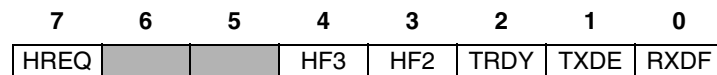
**Figure 6-16.** Command Vector Register (CVR)

**Table 6-16.** Command Vector Register (CVR) Bit Definitions

Bit Number	Bit Name	Reset Value	Description
7	HC	0	<p><b>Host Command</b></p> <p>The host processor uses the HC bit to handshake the execution of host command interrupts. Normally, the host processor sets HC to request a host command interrupt from the DSP56309. When the DSP56309 acknowledges the host command interrupt, HI08 hardware clears the HC bit. The host processor can read the state of HC to determine when the host command has been accepted. After setting HC, the host must not write to the CVR again until the HI08 hardware clears the HC. Setting the HC bit causes host command pending (HCP) to be set in the HSR. The host can write to the HC and HV bits in the same write cycle.</p>
6–0	HV[6–0]	\$32	<p><b>Host Vector</b></p> <p>Select the host command interrupt address for use by the host command interrupt logic. When the DSP interrupt control logic recognizes the host command interrupt, the address of the interrupt routine taken is <math>2 \times HV</math>. The host can write HC and HV in the same write cycle.</p> <p>The host processor can select any of the 128 possible interrupt routine starting addresses in the DSP by writing the interrupt routine address divided by 2 into the HV bits. This means that the host processor can force any interrupt handler (ESSI, SCI, <math>\overline{IRQA}</math>, <math>\overline{IRQB}</math>, and so forth) and can use any reserved or otherwise unused addresses (if have been pre-programmed in the DSP). HV is set to \$32 (vector location \$064) by hardware, software, individual, and stop resets.</p>

## 6.7.3 Interface Status Register (ISR)

The host processor uses the ISR, an 8-bit read-only status register, to interrogate the HI08 status and flags. The DSP core cannot address the ISR.



—Reserved bit; read as 0; write to 0 for future compatibility.

**Figure 6-17.** Interface Status Register (ISR)

**Table 6-17.** Interface Status Register (ISR) Bit Definitions

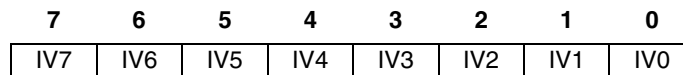
Bit Number	Bit Name	Reset Value	Description		
7	HREQ	0 (Hardware and Software reset) 1 (Individual reset and TREQ is set) 1 (Stop reset and TREQ is set)	<b>Host Request</b> If HDRQ is set, the HREQ bit indicates the status of the external transmit and receive request output signals (HTRQ and HRRQ). If HDRQ is cleared, HREQ indicates the status of the external host request output signal (HREQ). The HREQ bit is set from either or both of two conditions— the receive byte registers are full or the transmit byte registers are empty. These conditions are indicated by status bits: ISR RXDF indicates that the receive byte registers are full, and ISR TXDE indicates that the transmit byte registers are empty. If the interrupt source is enabled by the associated request enable bit in the ICR, HREQ is set if one or more of the two enabled interrupt sources is set.		
			<b>HDRQ</b>	<b>HREQ</b>	<b>Effect</b>
			0	0	HREQ is cleared; no host processor interrupts are requested.
			0	1	HREQ is set; an interrupt is requested.
			1	0	HTRQ and HRRQ are cleared, no host processor interrupts are requested.
1	1	HTRQ or HRRQ are set; an interrupt is requested.			
6–5		0	Reserved. Write to 0 for future compatibility.		
4	HF3	0	<b>Host Flag 3</b> Indicates the state of HF3 in the HCR on the DSP side. HF3 can be changed only by the DSP56309. Hardware and software reset clear HF3.		
3	HF2	0	<b>Host Flag 2</b> Indicates the state of HF2 in the HCR on the DSP side. HF2 can be changed only by the DSP56309. Hardware and software reset clear HF2.		
2	TRDY	1	<b>Transmitter Ready</b> Indicates that TXH:TXM:TXL and the HRX registers are empty. If TRDY is set, the data that the host processor writes to TXH:TXM:TXL is immediately transferred to the DSP side of the HI08. This feature has many applications. For example, if the host processor issues a host command that causes the DSP56309 to read the HRX, the host processor can be guaranteed that the data it just transferred to the HI08 is that being received by the DSP56309. Hardware, software, individual, and stop resets all set TRDY.		
			<b>CAUTION:</b> <b>TRDY = TXDE and <math>\overline{\text{HRDF}}</math></b>		
1	TXDE	1	<b>Transmit Data Register Empty</b> Indicates that the transmit byte registers (TXH:TXM:TXL) are empty and can be written by the host processor. TXDE is set when the contents of the transmit byte registers are transferred to the HRX register. TXDE is cleared when the transmit register (TXL or TXH according to HLEND bit) is written by the host processor. The host processor can set TXDE using the initialize function. TXDE can assert the external HTRQ signal if the TREQ bit is set. Regardless of whether the TXDE interrupt is enabled, TXDE indicates whether the TX registers are full and data can be latched in (so that polling techniques may be used by the host processor). Hardware, software, individual, and stop resets all set TXDE.		

**Table 6-17.** Interface Status Register (ISR) Bit Definitions (Continued)

Bit Number	Bit Name	Reset Value	Description
0	RXDF	0	<b>Receive Data Register Full</b> Indicates that the receive byte registers (RXH:RXM:RXL) contain data from the DSP56309 to be read by the host processor. RXDF is set when the HTX is transferred to the receive byte registers. RXDF is cleared when the host processor reads the receive data register (RXL or RXH according to HLEND bit). The host processor can clear RXDF using the initialize function. RXDF can assert the external HREQ signal if the RREQ bit is set. Regardless of whether the RXDF interrupt is enabled, RXDF indicates whether the RX registers are full and data can be latched out (so that the host processor can use polling techniques).

### 6.7.4 Interrupt Vector Register (IVR)

The IVR is an 8-bit read/write register that typically contains the interrupt vector number used with MC68000 family processor vectored interrupts. Only the host processor can read and write this register. The contents of the IVR are placed on the host data bus, H[7–0], when both the HREQ and HACK signals are asserted. The contents of this register are initialized to \$0F by a hardware or software reset. This value corresponds to the uninitialized interrupt vector in the MC68000 family.

**Figure 6-18.** Interrupt Vector Register (IVR)

### 6.7.5 Receive Data Registers (RXH:RXM:RXL)

The host processor views the receive byte registers as three 8-bit read-only registers: the receive high register (RXH), the receive middle register (RXM), and the receive low register (RXL). They receive data from the high, middle, and low bytes, respectively, of the HTX register and are selected by the external host address inputs (HA[2–0]) during a host processor read operation. The memory address of the receive byte registers are set by ICR[HLEND]. If ICR[HLEND] is set, the RXH is located at address \$7, RXM at \$6, and RXL at \$5. If ICR[HLEND] is cleared, the RXH is located at address \$5, RXM at \$6, and RXL at \$7.

When data is transferred from the HTX register to the receive byte register at host address \$7, the ISR Receive Data Register Full (RXDF) bit is set. The host processor can program the RREQ bit to assert the external HREQ signal when ISR[RXDF] is set. This indicates that the HI08 has a full word (either 8, 16, or 24 bits) for the host processor. The host processor can program the RREQ bit to assert the external HREQ signal when ISR[RXDF] is set. Assertion of the HREQ signal informs the host processor that the receive byte registers have data to be read. When the host reads the receive byte register at host address \$7, the ISR[RXDF] bit is cleared.

**Note:** The external host should never read the RXH:RXM:RXL registers if the ISR[RXDF] bit is cleared.

### 6.7.6 Transmit Data Registers (TXH:TXM:TXL)

The host processor views the transmit byte registers as three 8-bit write-only registers. These registers are the transmit high register (TXH), the transmit middle register (TXM), and the transmit low register (TXL). These registers send data to the high, middle, and low bytes, respectively, of the HRX register and are selected by the external host address inputs, HA[2–0], during a host processor write operation.

If ICR[HLEND] is set, the TXH register is located at address \$7, the TXM register at \$6, and the TXL register at \$5. If the HLEND bit in the ICR is cleared, the TXH register is located at address \$5, the TXM register at \$6, and the TXL register at \$7.

Data can be written into the transmit byte registers when the ISR transmit data register empty (TXDE) bit is set. The host processor can program the ICR[TREQ] bit to assert the external HREQ/HTRQ signal when ISR[TXDE] is set. This informs the host processor that the transmit byte registers are empty. Writing to the data register at host address \$7 clears the ISR[TXDE] bit. The contents of the transmit byte registers are transferred as 24-bit data to the HRX register when both ISR[TXDE] and HSR[HRDF] are cleared. This transfer operation sets HSR[TXDE] and HSR[HRDF]. The external host should never write to the TXH:TXM:TXL registers if the ISR[TXDE] bit is cleared.

**Note:** When data is written to a peripheral device, there is a two-cycle pipeline delay until any status bits affected by this operation are updated. If you read any of those status bits within the next two cycles, the bit will not reflect its current status. For details, see **Section 6.4.1, Software Polling**, on page 6-6.

### 6.7.7 Host-Side Registers After Reset

**Table 6-18** shows the result of the four kinds of reset on bits in each of the HI08 registers seen by the host processor. To cause a hardware reset, assert the  $\overline{\text{RESET}}$  signal. To cause a software reset, execute the RESET instruction. To reset the HEN bit individually, clear the HPCR[HEN] bit. To cause a stop reset, execute the STOP instruction.

**Table 6-18.** Host-Side Registers After Reset

Register Name	Register Data	Reset Type			
		HW Reset	SW Reset	Individual Reset	STOP
ICR	All bits	0	0	—	—
CVR	HC	0	0	0	0
	HV[0–6]	\$32	\$32	—	—



**Table 6-18.** Host-Side Registers After Reset (Continued)

Register Name	Register Data	Reset Type			
		HW Reset	SW Reset	Individual Reset	STOP
ISR	HREQ	0	0	1 if TREQ is set; 0 otherwise	1 if TREQ is set; 0 otherwise
	HF3 -HF2	0	0	—	—
	TRDY	1	1	1	1
	TXDE	1	1	1	1
	RXDF	0	0	0	0
IVR	IV[0-7]	\$0F	\$0F	—	—
RX	RXH:RXM:RXL	empty	empty	empty	empty
TX	TXH:TXM:TXL	empty	empty	empty	empty
<b>Note:</b> A long dash (—) denotes that the bit value is not affected by the specified reset.					

## 6.8 Programming Model Quick Reference

Table 6-19 summarizes the HI08 programming model.

**Table 6-19.** HI08 Programming Model, DSP Side

Register	Bit					Reset Type		
	Bit No.	Bit	Name	Value	Function	HW/SW	Individual	STOP
HCR	0	HRIE	Receive Interrupt Enable	0 1	HRRQ interrupt disabled HRRQ interrupt enabled	0	—	—
	1	HTIE	Transmit Interrupt Enable	0 1	HTRQ interrupt disabled HTRQ interrupt enabled	0	—	—
	2	HCIE	Host Command Interrupt Enable	0 1	HCP interrupt disabled HCP interrupt enabled	0	—	—
	3	HF2	Host Flag 2			0		
	4	HF3	Host Flag 3			0	—	—
HPCR	0	HGEN	Host GPIO Enable	0 1	GPIO signal disconnected GPIO signals active	0	—	—
	1	HA8EN	Host Address Line 8 Enable	0 1	HA8/A1 = GPIO HA8/A1 = HA8	0	—	—
	2	HA9EN	Host Address Line 9 Enable	0 1	HA9/A2 = GPIO HA9/A2 = HA9	0	—	—
	3	HCSSEN	Host Chip Select Enable	0 1	HCS/A10 = GPIO HCS/A10 = HCS	0	—	—



**Table 6-19.** HI08 Programming Model, DSP Side (Continued)

Register	Bit					Reset Type		
	Bit No.	Bit	Name	Value	Function	HW/SW	Individual	STOP
HPCR cont.	4	HREN	Host Request Enable	0 1	HDRQ = 0 HDRQ = 1 HREQ/HTRQ = GPIO HREQ/HTRQ HACK/HRRQ = GPIO HREQ/HTRQ = HREQ,HREQ/HTRQ HACK/HRRQ = HTRQ, HRRQ	0	—	—
	5	HAEN	Host Acknowledge Enable	0 1	HDRQ = 0 HDRQ=1 HACK/HRRQ = GPIO HREQ/HTRQ HACK/HRRQ = GPIO HACK/HRRQ = HACK HREQ/HTRQ HACK/HRRQ = HTRQ, HRRQ	0	—	—
	6	HEN	Host Enable	0 1	Host Port = GPIO Host Port Active	0	—	—
	7	—	Reserved	0	Reserved	0	—	—
	8	HROD	Host Request Open Drain	0 1	HREQ/HTRQ/HRRQ = driven HREQ/HTRQ/HRRQ = open drain	0		
	9	HDSP	Host Data Strobe Polarity	0 1	HDS/HRD/HWR active low HDS/HRD/HWR active high	0	—	—
	10	HASP	Host Address Strobe Polarity	0 1	HAS active low HAS active high	0	—	—
	11	HMUX	Host Multiplexed Bus	0 1	Separate address and data lines Multiplexed address/data	0	—	—
	12	HDDS	Host Dual Data Strobe	0 1	Single Data Strobe (HDS) Double Data Strobe (HWR, HRD)	0	—	—
	13	HCSP	Host Chip Select Polarity	0 1	HCS active low HCS active high	0	—	—
	14	HRP	Host Request Polarity	0 1	HREQ/HTRQ/HRRQ active low HREQ/HTRQ/HRRQ active high	0	—	—
	15	HAP	Host Acknowledge Polarity	0 1	HACK active low HACK active high	0	—	—

**Table 6-19.** HI08 Programming Model, DSP Side (Continued)

Register	Bit					Reset Type		
	Bit No.	Bit	Name	Value	Function	HW/SW	Individual	STOP
HSR	0	HRDF	Host Receive Data Full	0 1	no receive data to be read Receive Data Register is full	0	0	0
	1	HTDE	Host Transmit Data Empty	1 0	The Transmit Data Register is empty. The Transmit Data Register is not empty.	1	1	1
	2	HCP	Host Command Pending	0 1	no host command pending host command pending	0	0	0
	3	HF0	Host Flag 0			0	—	—
	4	HF1	Host Flag 1			0	—	—
HBAR	7–0	BA[10–3]	Host Base Address Register			\$80		
HRX	23–0		DSP Receive Data Register			empty		
HTX	23–0		DSP Transmit Data Register			empty		
HDR	16–0	D[16–0]	GPIO signal Data			\$0000	—	—
HDRR	16–0	DR[16–0]	GPIO signal Direction	0 1	Input Output	\$0000	—	—

**Table 6-20.** HI08 Programming Model: Host Side

Reg	Bit					Reset Type		
	#		Name	Value	Function	HW/SW	Individual	STOP
ICR	0	RREQ	Receive Request Enable	0 1	HRRQ interrupt disabled HRRQ interrupt enabled	0	—	—
	1	TREQ	Transmit Request Enable	0 1	HTRQ interrupt disabled HTRQ interrupt enabled	0	—	—
	2	HDRQ	Double Host Request	0 1	HREQ/HTRQ = HREQ, HACK/HRRQ = HACK HREQ/HTRQ = HTRQ, HACK/HRRQ = HRRQ	0	—	—
	3	HF0	Host Flag 0			0	—	—
	4	HF1	Host Flag 1			0	—	—
	5	HLEND	Host Little Endian	0 1	Big Endian order Little Endian order	0	—	—
	7	INIT	Initialize	1	Reset data paths according to TREQ and RREQ	0	—	—

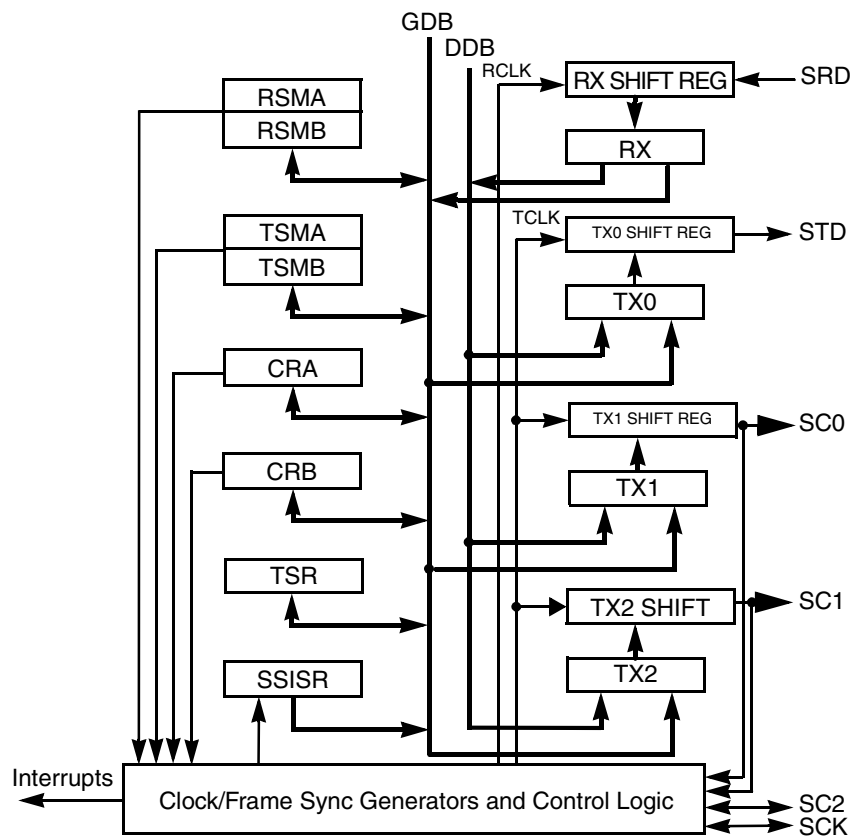
**Table 6-20.** HI08 Programming Model: Host Side (Continued)

Reg	Bit					Reset Type		
	#		Name	Value	Function	HW/ SW	Indi vi- dual	STOP
ISR	0	RXDF	Receive Data Register Full	0 1	Host Receive Register is empty Host Receive Register is full	0	0	0
	1	TXDE	Transmit Data Register Empty	1 0	Host Transmit Register is empty Host Transmit Register is full	1	1	1
	2	TRDY	Transmitter Ready	1 0	transmit FIFO (6 deep) is empty transmit FIFO is not empty	1	1	1
	3	HF2	Host Flag 2			0	—	—
	4	HF3	Host Flag 3			0	—	—
	7	HREQ	Host Request	0 1	$\overline{\text{HREQ}}$ signal is deasserted $\overline{\text{HREQ}}$ signal is asserted (if enabled)	0	0	0
CVR	6–0	HV[6–0]	Host Command Vector			\$32	—	—
CVR	7	HC	Host Command	0 1	no host command pending host command pending	0	0	0
RXH/M/ L	7–0		Host Receive Data Register			empty		
TXH/M/ L	7–0		Host Transmit Data Register			empty		
IVR	7–0	IV[7–0]	Interrupt Register		68000 family vector register	\$0F	—	—



# Enhanced Synchronous Serial Interface (ESSI) 7

The ESSI provides a full-duplex serial port for serial communication with a variety of serial devices, including one or more industry-standard codecs, other DSPs, microprocessors, and peripherals. The ESSI consists of independent transmitter and receiver sections and a common ESSI clock generator. There are two independent and identical ESSIs in the DSP56309: ESSIO and ESSI1. For simplicity, a single generic ESSI is described here. The ESSI block diagram is shown in **Figure 7-1**. This interface is synchronous because all serial transfers are synchronized to one clock.



**Figure 7-1.** ESSI Block Diagram

This synchronous interface should not be confused with the asynchronous channels mode of the ESSI, in which separate clocks are used for the receiver and transmitter. In that mode, the ESSI is still a synchronous device because all transfers are synchronized to these clocks. Pin notations for the generic ESSI refer to the analogous pin of ESSIO (PC<sub>x</sub>) and ESSI1 (PD<sub>x</sub>).

Additional synchronization signals delineate the word frames. The Normal mode of operation transfers data at a periodic rate, one word per period. The Network mode is similar in that it is also for periodic transfers; however, it supports up to 32 words (time slots) per period. The Network mode can be used to build time division multiplexed (TDM) networks. In contrast, the On-Demand mode is for nonperiodic transfers of data. This mode, which offers a subset of the Freescale Serial Peripheral Interface (SPI) protocol, can transfer data serially at high speed when the data become available. Since each ESSI unit can be configured with one receiver and three transmitters, the two units can be used together for surround sound applications (which need two digital input channels and six digital output channels).

## 7.1 ESSI Enhancements

The DSP56000 SSI is enhanced in the following ways to make the ESSI:

- Network enhancements
  - Time slot mask registers (receive and transmit)
  - End-of-frame interrupt
  - Drive enable signal (used with transmitter 0)
- Audio enhancements
  - Three transmitters per ESSI (for six-channel surround-sound)
- General enhancements
  - Can trigger DMA interrupts (receive or transmit)
  - Separate exception enable bits
- Other changes
  - One divide-by-2 step is removed from the internal clock source chain
  - The CRA[PSR] bit definition is reversed
  - Gated-Clock mode is not available

## 7.2 ESSI Data and Control Signals

Three to six signals are required for ESSI operation, depending on the operating mode selected. The serial transmit data (STD) signal and serial control (SC0 and SC1) signals are fully synchronized to the clock if they are programmed as transmit-data signals.

### 7.2.1 Serial Transmit Data Signal (STD)

The STD signal transmits data from the serial transmit shift register. STD is an output when data is transmitted from the TX0 shift register. With an internally-generated bit clock, the STD signal becomes a high impedance output signal for a full clock period after the last data bit is transmitted if another data word does not follow immediately. If sequential data words are

transmitted, the STD signal does not assume a high-impedance state. The STD signal can be programmed as a GPIO signal (P5) when the ESSI STD function is not in use.

## 7.2.2 Serial Receive Data Signal (SRD)

SRD receives serial data and transfers the data to the receive shift register. SRD can be programmed as a GPIO signal (P4) when the SRD function is not in use.

## 7.2.3 Serial Clock (SCK)

SCK is a bidirectional signal providing the serial bit rate clock for the ESSI interface. The signal is a clock input or output used by all the enabled transmitters and receivers in Synchronous modes or by all the enabled transmitters in Asynchronous modes. See **Table 7-1** for details. SCK can be programmed as a GPIO signal (P3) when not used as the ESSI clock.

**Table 7-1.** ESSI Clock Sources

SYN	SCKD	SCD0	RX Clock Source	RX Clock Out	TX Clock Source	TX Clock Out
<b>Asynchronous</b>						
0	0	0	EXT, SC0	—	EXT, SCK	—
0	0	1	INT	SC0	EXT, SCK	—
0	1	0	EXT, SC0	—	INT	SCK
0	1	1	INT	SC0	INT	SCK
<b>Synchronous</b>						
1	0	0/1	EXT, SCK	—	EXT, SCK	—
1	1	0/1	INT	SCK	INT	SCK

**Note:** Although an external serial clock can be independent of and asynchronous to the DSP system clock, the external ESSI clock frequency must not exceed  $F_{core}/3$ , and each ESSI phase must exceed the minimum of 1.5 CLKOUT cycles. The internally sourced ESSI clock frequency must not exceed  $F_{core}/4$ .

## 7.2.4 Serial Control Signal (SC0)

**ESSI0: SC00; ESSI1: SC10**

To determine the function of the SC0 signal, select either Synchronous or Asynchronous mode, according to **Table 7-2**. In Asynchronous mode, this signal is used for the receive clock I/O. In Synchronous mode, this signal is the transmitter data out signal for transmit shift register TX1 or for serial flag I/O. A typical application of serial flag I/O would be multiple device selection for addressing in codec systems.

If SC0 is configured as a serial flag signal or receive clock signal, its direction is determined by the Serial Control Direction 0 (SCD0) bit in ESSI Control Register B (CRB). When configured as an output, SC0 functions as the serial Output Flag 0 (OF0) or as a receive shift register clock

output. If SC0 is used as the serial Output Flag 0, its value is determined by the value of the serial Output Flag 0 (OF0) bit in the CRB. If SC0 is an input, it functions as either serial Input Flag 0 or a receive shift register clock input. As serial Input Flag 0, SC0 controls the state of the serial Input Flag 0 (IF0) bit in the ESSI Status Register (SSISR).

When SC0 is configured as a transmit data signal, it is always an output signal, regardless of the SC0 bit value. SC0 is fully synchronized with the other transmit data signals (STD and SC1). SC0 can be programmed as a GPIO signal (P0) when the ESSI SC0 function is not in use.

**Note:** The ESSI can operate with more than one active transmitter only in Synchronous mode.

## 7.2.5 Serial Control Signal (SC1)

### ESSI0:SC01; ESSI1: SCI11

To determine the function of SC1, select either Synchronous or Asynchronous mode, according to **Table 7-2**. In Asynchronous mode (as for a single codec with asynchronous transmit and receive), SC1 is the receiver frame sync I/O. In Synchronous mode, SC1 is the transmitter data out signal of transmit shift register TX2, for the transmitter 0 drive-enabled signal, or for serial flag I/O. As serial flag I/O, SC1 operates like SC0. SC0 and SC1 are independent flags but can be used together for multiple serial device selection; they can be unencoded to select up to two CODECs or decoded externally to select up to four CODECs. If SC1 is configured as a serial flag or receive frame sync signal, the Serial Control Direction 1 CRB[SCD1] bit determines its direction.

**Table 7-2. Mode and Signal Definitions**

Control Bits					ESSI Signals					
SYN	TE0	TE1	TE2	RE	SC0	SC1	SC2	SCK	STD	SRD
0	0	X	X	0	U	U	U	U	U	U
0	0	X	X	1	RXC	FSR	U	U	U	RD
0	1	X	X	0	U	U	FST	TXC	TD0	U
0	1	X	X	1	RXC	FSR	FST	TXC	TD0	RD
1	0	0	0	0	U	U	U	U	U	U
1	0	0	0	1	F0/U	F1/T0D/U	FS	XC	U	RD
1	0	0	1	0	F0/U	TD2	FS	XC	U	U
1	0	0	1	1	F0/U	TD2	FS	XC	U	RD
1	0	1	0	0	TD1	F1/T0D/U	FS	XC	U	U
1	0	1	0	1	TD1	F1/T0D/U	FS	XC	U	RD
1	0	1	1	0	TD1	TD2	FS	XC	U	U
1	0	1	1	1	TD1	TD2	FS	XC	U	RD
1	1	0	0	0	F0/U	F1/T0D/U	FS	XC	TD0	U



**Table 7-2. Mode and Signal Definitions (Continued)**

Control Bits					ESSI Signals					
SYN	TE0	TE1	TE2	RE	SC0	SC1	SC2	SCK	STD	SRD
1	1	0	0	1	F0/U	F1/T0D/U	FS	XC	TD0	RD
1	1	0	1	0	F0/U	TD2	FS	XC	TD0	U
1	1	0	1	1	F0/U	TD2	FS	XC	TD0	RD
1	1	1	0	0	TD1	F1/T0D/U	FS	XC	TD0	U
1	1	1	0	1	TD1	F1/T0D/U	FS	XC	TD0	RD
1	1	1	1	0	TD1	TD2	FS	XC	TD0	U
1	1	1	1	1	TD1	TD2	FS	XC	TD0	RD

TXC = Transmitter clock  
 RXC = Receiver clock  
 XC = Transmitter/receiver clock (synchronous operation)  
 FST = Transmitter frame sync  
 FSR = Receiver frame sync  
 FS = Transmitter/receiver frame sync (synchronous operation)  
 TD0 = Transmit data signal 0  
 TD1 = Transmit data signal 1  
 TD2 = Transmit data signal 2  
 T0D = Transmitter 0 drive enable if SSC1 = 1 & SCD1 = 1  
 RD = Receive data  
 F0 = Flag 0  
 F1 = Flag 1 if SSC1 = 0  
 U = Unused (can be used as GPIO signal)  
 X = Indeterminate

When configured as an output, SC1 functions as a serial Output Flag, as the transmitter 0 drive-enabled signal, or as the receive frame sync signal output. If SC1 is used as serial Output Flag 1, its value is determined by the value of the serial Output Flag 1 (OF1) bit in the CRB. When configured as an input, this signal can receive frame sync signals from an external source, or it acts as a serial input flag. As a serial input flag, SC1 controls status bit IF1 in the SSISR.

When SC1 is configured as a transmit data signal, it is always an output signal, regardless of the SCD1 bit value. As an output, it is fully synchronized with the other ESSI transmit data signals (STD and SC0). SC1 can be programmed as a GPIO signal (P1) when the ESSI SC1 function is not in use.

## 7.2.6 Serial Control Signal (SC2)

### ESSI0:SC02; ESSI1:SC12

SC2 is a frame sync I/O signal for both the transmitter and receiver in Synchronous mode and for the transmitter only in Asynchronous mode. The direction of this signal is determined by the SCD2 bit in the CRB. When configured as an output, this signal outputs the internally generated frame sync signal. When configured as an input, this signal receives an external frame sync signal for the transmitter in Asynchronous mode and for both the transmitter and receiver when in Synchronous mode. SC2 can be programmed as a GPIO signal (P2) when the ESSI SC2 function is not in use.

## 7.3 Operation

This section discusses ESSI basics: reset state, initialization, and exceptions.

### 7.3.1 ESSI After Reset

A hardware  $\overline{\text{RESET}}$  signal or software **reset** instruction clears the port control register and the port direction control register, thus configuring all the ESSI signals as GPIO. The ESSI is in the reset state while all ESSI signals are programmed as GPIO; it is active only if at least one of the ESSI I/O signals is programmed as an ESSI signal.

### 7.3.2 Initialization

To initialize the ESSI, do the following:

1. Send a reset: hardware  $\overline{\text{RESET}}$  signal, software **reset** instruction, ESSI individual reset, or **stop** instruction reset.
2. Program the ESSI control and time slot registers.
3. Write data to all the enabled transmitters.
4. Configure at least one signal as ESSI signal.
5. If an external frame sync is used, from the moment the ESSI is activated, at least five (5) serial clocks are needed before the first external frame sync is supplied. Otherwise, improper operation may result.

When the PC[5–0] bits in the GPIO Port Control Register (PCR) are cleared during program execution, the ESSI stops serial activity and enters the individual reset state. All status bits of the interface are set to their reset state. The contents of CRA and CRB are not affected. The ESSI individual reset allows a program to reset each interface separately from the other internal peripherals. During ESSI individual reset, internal DMA accesses to the data registers of the ESSI are not valid, and data read there are undefined. To ensure proper operation of the ESSI, use an ESSI individual reset when you change the ESSI control registers (except for bits TEIE, REIE, TLIE, RLIE, TIE, RIE, TE2, TE1, TE0, and RE).

Here is an example of how to initialize the ESSI.

1. Put the ESSI in its individual reset state by clearing the PCR bits.
2. Configure the control registers (CRA, CRB) to set the operating mode. Disable the transmitters and receiver by clearing the TE[2–0] and RE bits. Set the interrupt enable bits for the operating mode chosen.
3. Enable the ESSI by setting the PCR bits to activate the input/output signals to be used.
4. Write initial data to the transmitters that are in use during operation. This step is needed even if DMA services the transmitters.
5. Enable the transmitters and receiver to be used.

Now the ESSI can be serviced by polling, interrupts, or DMA. Once the ESSI is enabled (Step 3), operation starts as follows:

1. For internally generated clock and frame sync, these signals start activity immediately after the ESSI is enabled.
2. The ESSI receives data after a frame sync signal (either internally or externally generated) only when the receive enable (RE) bit is set.
3. Data is transmitted after a frame sync signal (either internally or externally generated) only when the transmitter enable (TE[2–0]) bit is set.

### 7.3.3 Exceptions

The ESSI can generate six different exceptions. They are discussed in the following paragraphs (ordered from the highest to the lowest exception priority):

- **ESSI receive data with exception status:**  
Occurs when the receive exception interrupt is enabled, the receive data register is full, and a receiver overrun error has occurred. This exception sets the ROE bit. The ROE bit is cleared when you first read the SSISR and then read the Receive Data Register (RX).
- **ESSI receive data:**  
Occurs when the receive interrupt is enabled, the receive data register is full, and no receive error conditions exist. A read of RX clears the pending interrupt. This error-free interrupt can use a fast interrupt service routine for minimum overhead.
- **ESSI receive last slot interrupt:**  
Occurs when the ESSI is in Network mode and the last slot of the frame has ended. This interrupt is generated regardless of the receive mask register setting. The receive last slot interrupt can signal that the receive mask slot register can be reset, the DMA channels can be reconfigured, and data memory pointers can be reassigned. Using the receive last slot interrupt guarantees that the previous frame is serviced with the previous setting and the new frame is serviced with the new setting without synchronization problems.

**Note:** The maximum time it takes to service a receive last slot interrupt should not exceed  $N - 1$  ESSI bits service time (where  $N$  is the number of bits the ESSI can transmit per time slot).

- **ESSI transmit data with exception status:**  
Occurs when the transmit exception interrupt is enabled, at least one transmit data register of the enabled transmitters is empty, and a transmitter underrun error has occurred. This exception sets the SSISR[TUE] bit. The TUE bit is cleared when you first read the SSISR and then write to all the transmit data registers of the enabled transmitters, or when you write to TSR to clear the pending interrupt.
- **ESSI transmit last slot interrupt:**  
Occurs when the ESSI is in Network mode at the start of the last slot of the frame. This

exception occurs regardless of the transmit mask register setting. The transmit last slot interrupt can signal that the transmit mask slot register can be reset, the DMA channels can be reconfigured, and data memory pointers can be reassigned. Using the Transmit Last Slot interrupt guarantees that the previous frame is serviced with the previous frame settings and the new frame is serviced with the new frame settings without synchronization problems.

**Note:** The maximum transmit last slot interrupt service time should not exceed  $N - 1$  ESSI bits service time (where  $N$  is the number of bits in a slot).

■ ESSI transmit data:

Occurs when the transmit interrupt is enabled, at least one of the enabled transmit data registers is empty, and no transmitter error conditions exist. Write to all the enabled TX registers or to the TSR to clear this interrupt. This error-free interrupt uses a fast interrupt service routine for minimum overhead (if no more than two transmitters are used).

To configure an ESSI exception, perform the following steps:

1. Configure the interrupt service routine (ISR):

- a. Load vector base address register VBA (b23 : 8)
- b. Define I\_VEC to be equal to the VBA value (if that is nonzero). If it is defined, I\_VEC must be defined for the assembler before the interrupt equate file is included.
- c. Load the exception vector table entry: two-word fast interrupt, or jump/branch to subroutine (long interrupt). p : I\_SI0TD

2. Configure interrupt trigger; preload transmit data

- a. Enable and prioritize overall peripheral interrupt functionality. IPRP (S0L1 : 0)
- b. Write data to all enabled transmit registers. TX00
- c. Enable a peripheral interrupt-generating function. CRB (TE0)
- d. Enable a specific peripheral interrupt. CRB0 (TIE)
- e. Enable peripheral and associated signals. PCRC (PC [5-0])
- f. Unmask interrupts at the global level. SR (I1-0)

The example material to the right of the steps shows register settings for configuring an ESSI0 transmit interrupt using transmitter 0. The order of the steps is optional except that the interrupt trigger configuration must not be completed until the ISR configuration is complete. Since **step 2c** may cause an immediate transmit without generating an interrupt, perform the transmit data preload in **step 2b** before **step 2c** to ensure that valid data is sent in the first transmission.

After the first transmit, subsequent transmit values are typically loaded into TX<sub>nn</sub> by the ISR (one value per register per interrupt). Therefore, if N items are to be sent from a particular TX<sub>nn</sub>, the ISR needs to load the transmit register (N – 1) times. **Steps 2c** and **2d** can be performed in **step 2a** as a single instruction. If an interrupt trigger event occurs before all interrupt trigger configuration steps are performed, the event is ignored and not queued. If interrupts derived from the core or other peripherals need to be enabled at the same time as ESSI interrupts, **step 2f** should be performed last.

## 7.4 Operating Modes: Normal, Network, and On-Demand

The ESSI has three basic operating modes and several data and operation formats. These modes are programmed via the ESSI control registers. The data and operation formats available to the ESSI are selected when you set or clear control bits in the CRA and CRB. These control bits are WL[2–1], MOD, SYN, FSL[1–0], FSR, FSP, CKP, and SHFD.

### 7.4.1 Normal/Network/On-Demand Mode Selection

To select either Normal mode or Network mode, clear or set CRB[MOD]. In Normal mode, the ESSI sends or receives one data word per frame (per enabled receiver or transmitter). In Network mode, 2 to 32 time slots per frame can be selected. During each frame, 0 to 32 data words are received or transmitted (from each enabled receiver or transmitter). In either case, the transfers are periodic.

The Normal mode typically transfers data to or from a single device. Network mode is typically used in time division multiplexed networks of CODECs or DSPs with multiple words per frame.

Network mode has a submode called On-Demand mode. Set the CRB[MOD] for Network mode, and set the frame rate divider to 0 (DC = \$00000) to select On-Demand mode. This submode does not generate a periodic frame sync. A frame sync pulse is generated only when data is available to transmit. The frame sync signal indicates the first time slot in the frame. On-Demand mode requires that the transmit frame sync be internal (output) and the receive frame sync be external (input). For simplex operation, Synchronous mode could be used; however, for full-duplex operation, Asynchronous mode must be used. You can enable data transmission that is data-driven by writing data into each TX. Although the ESSI is double-buffered, only one word can be written to each TX, even if the transmit shift register is empty. The receive and transmit interrupts function normally, using TDE and RDF; however, transmit underruns are impossible for On-Demand transmission and are disabled. This mode is useful for interfacing with codecs requiring a continuous clock.

**Note:** When the ESSI transmits data in On-Demand mode (that is, MOD = 1 in the CRB and DC[4–0] = \$00000 in the CRA) with WL[2–0] = 100, the transmission does not work properly. To ensure correct operation, do not use On-Demand mode with the WL[2–0] = 100 32-bit word length mode.

## 7.4.2 Synchronous/Asynchronous Operating Modes

The transmit and receive sections of the ESSI interface are synchronous or asynchronous. The transmitter and receiver use common clock and synchronization signals in Synchronous mode; they use separate clock and sync signals in Asynchronous mode. The CRB[SYN] bit selects synchronous or asynchronous operation. When the SYN bit is cleared, the ESSI TX and RX clocks and frame sync sources are independent. If the SYN bit is set, the ESSI TX and RX clocks and frame sync are driven by the same source (either external or internal). Since the ESSI operates either synchronously or asynchronously, separate receive and transmit interrupts are provided.

Transmitter 1 and transmitter 2 operate only in Synchronous mode. Data clock and frame sync signals are generated internally by the DSP or obtained from external sources. If clocks are internally generated, the ESSI clock generator derives bit clock and frame sync signals from the DSP internal system clock. The ESSI clock generator consists of a selectable fixed prescaler with a programmable prescaler for bit rate clock generation and a programmable frame-rate divider with a word-length divider for frame-rate sync-signal generation.

## 7.4.3 Frame Sync Selection

The transmitter and receiver can operate independently. The transmitter can have either a bit-long or word-long frame-sync signal format, and the receiver can have the same or another format. The selection is made by programming the CRB FSL[1–0], FSR, and FSP bits.

## 7.4.4 Frame Sync Signal Format

CRB[FSL1] controls the frame sync signal format.

- If CRB[FSL1] is cleared, the receive frame sync is asserted during the entire data transfer period. This frame sync length is compatible with Freescale codecs, serial peripherals that conform to the Freescale SPI, serial A/D and D/A converters, shift registers, and telecommunication pulse code modulation serial I/O.
- If CRB[FSL1] is set, the receive frame sync pulses active for one bit clock immediately before the data transfer period. This frame sync length is compatible with Intel and National Semiconductor Corporation components, codecs, and telecommunication pulse code modulation serial I/O.

## 7.4.5 Frame Sync Length for Multiple Devices

Mixing frame sync lengths is useful in configuring systems in which data is received from one type of device (for example, codec) and transmitted to a different type of device. CRB[FSL0] controls whether RX and TX have the same frame sync length.

- If CRB[FSL0] is cleared, both RX and TX have the same frame sync length.



- If CRB[FSL0] is set, RX and TX have different frame sync lengths. CRB[FSL0] is ignored when CRB[SYN] is set.

## 7.4.6 Word Length Frame Sync and Data Word Timing

The CRB[FSR] bit controls the relative timing of the word length frame sync relative to the data word timing.

- When CRB[FSR] is cleared, the word length frame sync is generated (or expected) with the first bit of the data word.
- When CRB[FSR] is set, the word length frame sync is generated (or expected) with the last bit of the previous word.

CRB[FSR] is ignored when a bit length frame sync is selected.

## 7.4.7 Frame Sync Polarity

The CRB[FSP] bit controls the polarity of the frame sync.

- When CRB[FSP] is cleared, the polarity of the frame sync is positive; that is, the frame sync signal is asserted high. The ESSI synchronizes on the leading edge of the frame sync signal.
- When CRB[FSP] is set, the polarity of the frame sync is negative; that is, the frame sync is asserted low. The ESSI synchronizes on the trailing edge of the frame sync signal.

The ESSI receiver looks for a receive frame sync edge (leading edge if CRB[FSP] is cleared, trailing edge if FSP is set) only when the previous frame is completed. If the frame sync is asserted before the frame is completed (or before the last bit of the frame is received in the case of a bit frame sync or a word-length frame sync with CRB[FSR] set), the current frame sync is not recognized, and the receiver is internally disabled until the next frame sync.

Frames do not have to be adjacent; that is, a new frame sync does not have to follow the previous frame immediately. Gaps of arbitrary periods can occur between frames. All the enabled transmitters are tri-stated during these gaps.

## 7.4.8 Byte Format (LSB/MSB) for the Transmitter

Some devices, such as CODECs, require a MSB-first data format. Other devices, such as those that use the AES–EBU digital audio format, require the LSB first. To be compatible with all formats, the shift registers in the ESSI are bidirectional. You select either MSB or LSB by programming CRB[SHFD].

- If CRB[SHFD] is cleared, data is shifted into the receive shift register MSB first and shifted out of the transmit shift register MSB first.
- If CRB[SHFD] is set, data is shifted into the receive shift register LSB first and shifted out of the transmit shift register LSB first.

## 7.4.9 Flags

Two ESSI signals (SC[1–0]) are available for use as serial I/O flags. Their operation is controlled by the SYN, SCD[1–0], SSC1, and TE[2–1] bits in the CRB/CRA. The control bits OF[1–0] and status bits IF[1–0] are double-buffered to and from SC[1–0]. Double-buffering the flags keeps the flags in sync with TX and RX.

The SC[1–0] flags are available in Synchronous mode only. Each flag can be separately programmed. The SC0 flag is enabled when transmitter 1 is disabled (TE1 = 0). The flag's direction is selected by the SCD0 bit. When SCD0 is set, SC0 is configured as output. When SCD0 is cleared, SC0 is configured as input. Similarly, the SC1 flag is enabled when transmitter 2 is disabled (TE2 = 0), and the SC1 signal is not configured as the transmitter 0 drive-enabled signal (Bit SSC1 = 0). The direction of SC1 is determined by the SCD1 bit. When SCD1 is set, SC1 is an output flag. When SCD1 is cleared, SC1 is an input flag.

When programmed as input flags, the value of the SC[1–0] bits is latched at the same time as the first bit of the received data word is sampled. Once the input is latched, the signal on the input flag signal (SC0 and SC1) can change without affecting the input flag. The value of SC[1–0] does not change until the first bit of the next data word is received. When the received data word is latched by RX, the latched values of SC[1–0] are latched by the SSISR IF[1–0] bits, respectively, and can be read by software.

When they are programmed as output flags, the value of the SC[1–0] bits is taken from the value of the OF[1–0] bits. The value of OF[1–0] is latched when the contents of TX transfer to the transmit shift register. The value on SC[1–0] is stable from the time the first bit of the transmit data word transmits until the first bit of the next transmit data word transmits. Software can directly set the OF[1–0] values, allowing the DSP56309 to control data transmission by indirectly controlling the value of the SC[1–0] flags.

## 7.5 ESSI Programming Model

The ESSI is composed of the following registers:

- Two control registers (CRA, CRB), **page 7-13** and **page 7-17**
- One status register (SSISR), **page 7-26**
- One Receive Shift Register, **page 7-28**
- One Receive Data Register (RX), **page 7-28**
- Three Transmit Shift Registers, **page 7-28**
- Three Transmit Data Registers (TX0, TX1, TX2), **page 7-28**
- One special-purpose Time Slot Register (TSR), **page 7-31**
- Two Transmit Slot Mask Registers (TSMA, TSMB), **page 7-31**
- Two Receive Slot Mask Registers (RSMA, RSMB), **page 7-32**



This section discusses the ESSI registers and describes their bits. **Section 7.6, GPIO Signals and Registers**, on page 7-33 covers ESSI GPIO.

### 7.5.1 ESSI Control Register A (CRA)

The ESSI Control Register A (CRA) is one of two 24-bit read/write control registers that direct the operation of the ESSI. CRA controls the ESSI clock generator bit and frame sync rates, word length, and number of words per frame for serial data.

23	22	21	20	19	18	17	16	15	14	13	12
	SSC1	WL2	WL1	WL0	ALC		DC4	DC3	DC2	DC1	DC0
11	10	9	8	7	6	5	4	3	2	1	0
PSR				PM7	PM6	PM5	PM4	PM3	PM2	PM1	PM0

—Reserved bit; read as 0; write to 0 for future compatibility.  
(ESSI0 X:\$FFFFB5, ESSI1 X:\$FFFA5)

**Figure 7-2.** ESSI Control Register A(CRA)

**Table 7-3.** ESSI Control Register A (CRA) Bit Definitions

Bit Number	Bit Name	Reset Value	Description
23		0	Reserved. Write to 0 for future compatibility.
22	SSC1	0	<b>Select SC1</b> Controls the functionality of the SC1 signal. If SSC1 is set, the ESSI is configured in Synchronous mode (the CRB synchronous/asynchronous bit (SYN) is set), and transmitter 2 is disabled (transmit enable (TE2) = 0), then the SC1 signal acts as the transmitter 0 driver-enabled signal while the SC1 signal is configured as output (SCD1 = 1). This configuration enables an external buffer for the transmitter 0 output. If SSC1 is cleared, the ESSI is configured in Synchronous mode (SYN = 1), and transmitter 2 is disabled (TE2 = 0), then the SC1 acts as the serial I/O flag while the SC1 signal is configured as output (SCD1 = 1).

**Table 7-3. ESSI Control Register A (CRA) Bit Definitions (Continued)**

Bit Number	Bit Name	Reset Value	Description			
21–19	WL[2–0]	0	<p><b>Word Length Control</b> Select the length of the data words transferred via the ESSI. Word lengths of 8-, 12-, 16-, 24-, or 32-bits can be selected. The ESSI data path programming model in <b>Figure 7-12</b> and <b>Figure 7-13</b> shows additional information on how to select different lengths for data words. The ESSI data registers are 24 bits long. The ESSI transmits 32-bit words in one of two ways:</p> <ul style="list-style-type: none"> <li>• By duplicating the last bit 8 times when WL[2–0] = 100</li> <li>• By duplicating the first bit 8 times when WL[2–0] = 101.</li> </ul> <p><b>Note:</b> When WL[2–0] = 100, the ESSI is designed to duplicate the last bit of the 24-bit transmission eight times to fill the 32-bit shifter. Instead, after the 24-bit word is shifted correctly, eight zeros (0s) are shifted.</p>			
			<b>ESSI Word Length Selection</b>			
			<b>WL2</b>	<b>WL1</b>	<b>WL0</b>	<b>Number of Bits/Word</b>
			0	0	0	8
			0	0	1	12
			0	1	0	16
			0	1	1	24
			1	0	0	32 (valid data in the first 24 bits)
			1	0	1	32 (valid data in the last 24 bits)
			1	1	0	Reserved
			1	1	1	Reserved
			<p><b>Note:</b> When the ESSI transmits data in On-Demand mode (that is, MOD = 1 in the CRB and DC[4–0]=00000 in the CRA) with WL[2–0] = 100, the transmission does not work properly. To ensure correct operation, do not use On-Demand mode with the WL[2–0] = 100 32-bit word length mode.</p>			
18	ALC	0	<p><b>Alignment Control</b> The ESSI handles 24-bit fractional data. Shorter data words are left-aligned to the MSB, bit 23. For applications that use 16-bit fractional data, shorter data words are left-aligned to bit 15. The ALC bit supports shorter data words. If ALC is set, received words are left-aligned to bit 15 in the receive shift register. Transmitted words must be left-aligned to bit 15 in the transmit shift register. If the ALC bit is cleared, received words are left-aligned to bit 23 in the receive shift register. Transmitted words must be left-aligned to bit 23 in the transmit shift register.</p> <p><b>Note:</b> If the ALC bit is set, only 8-, 12-, or 16-bit words are used. The use of 24- or 32-bit words leads to unpredictable results.</p>			
17			Reserved. Write to 0 for future compatibility.			

**Table 7-3.** ESSI Control Register A (CRA) Bit Definitions (Continued)

Bit Number	Bit Name	Reset Value	Description
16–12	DC[4–0]	0	<p><b>Frame Rate Divider Control</b></p> <p>Control the divide ratio for the programmable frame rate dividers that generate the frame clocks. In Network mode, this ratio is the number of words per frame minus one. In Normal mode, this ratio determines the word transfer rate. The divide ratio ranges from 1 to 32 (DC = 00000 to 11111) for Normal mode and 2 to 32 (DC = 00001 to 11111) for Network mode. A divide ratio of one (DC = 00000) in Network mode is a special case known as On-Demand mode. In Normal mode, a divide ratio of one (DC = 00000) provides continuous periodic data word transfers. A bit-length frame sync must be used in this case; you select it by setting the FSL[1–0] bits in the CRA to (01). <b>Figure 7-4</b> shows the ESSI frame sync generator functional block diagram.</p>
11	PSR	0	<p><b>Prescaler Range</b></p> <p>Controls a fixed divide-by-eight prescaler in series with the variable prescaler. This bit extends the range of the prescaler when a slower bit clock is needed. When PSR is set, the fixed prescaler is bypassed. When PSR is cleared, the fixed divide-by-eight prescaler is operational, as in <b>Figure 7-3</b>. This definition is reversed from that of the SSI in other DSP56000 family members. The maximum allowed internally generated bit clock frequency is the internal DSP56309 clock frequency divided by 4; the minimum possible internally generated bit clock frequency is the DSP56309 internal clock frequency divided by 4096.</p> <p><b>Note:</b> The combination PSR = 1 and PM[7–0] = \$00 (dividing <math>F_{core}</math> by 2) can cause synchronization problems and thus should not be used.</p>
10–8		0	Reserved. Write to 0 for future compatibility.
7–0	PM[7–0]	0	<p><b>Prescale Modulus Select</b></p> <p>Specify the divide ratio of the prescale divider in the ESSI clock generator. A divide ratio from 1 to 256 (PM = \$0 to \$FF) can be selected. The bit clock output is available at the transmit clock signal (SCK) and/or the receive clock (SC0) signal of the DSP. The bit clock output is also available internally for use as the bit clock to shift the transmit and receive shift registers. <b>Figure 7-3</b> shows the ESSI clock generator functional block diagram. <math>F_{core}</math> is the DSP56309 core clock frequency (the same frequency as the enabled CLKOUT signal). Careful choice of the crystal oscillator frequency and the prescaler modulus can generate the industry-standard CODEC master clock frequencies of 2.048 MHz, 1.544 MHz, and 1.536 MHz.</p>

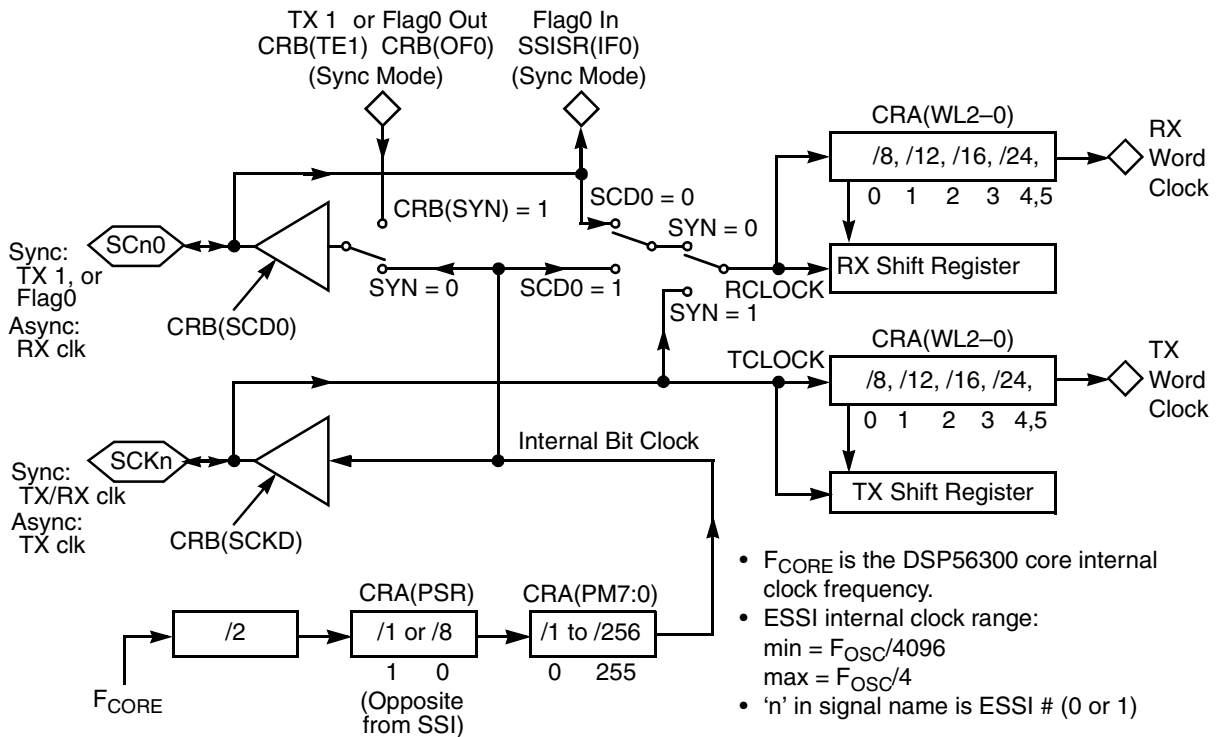


Figure 7-3. ESSI Clock Generator Functional Block Diagram

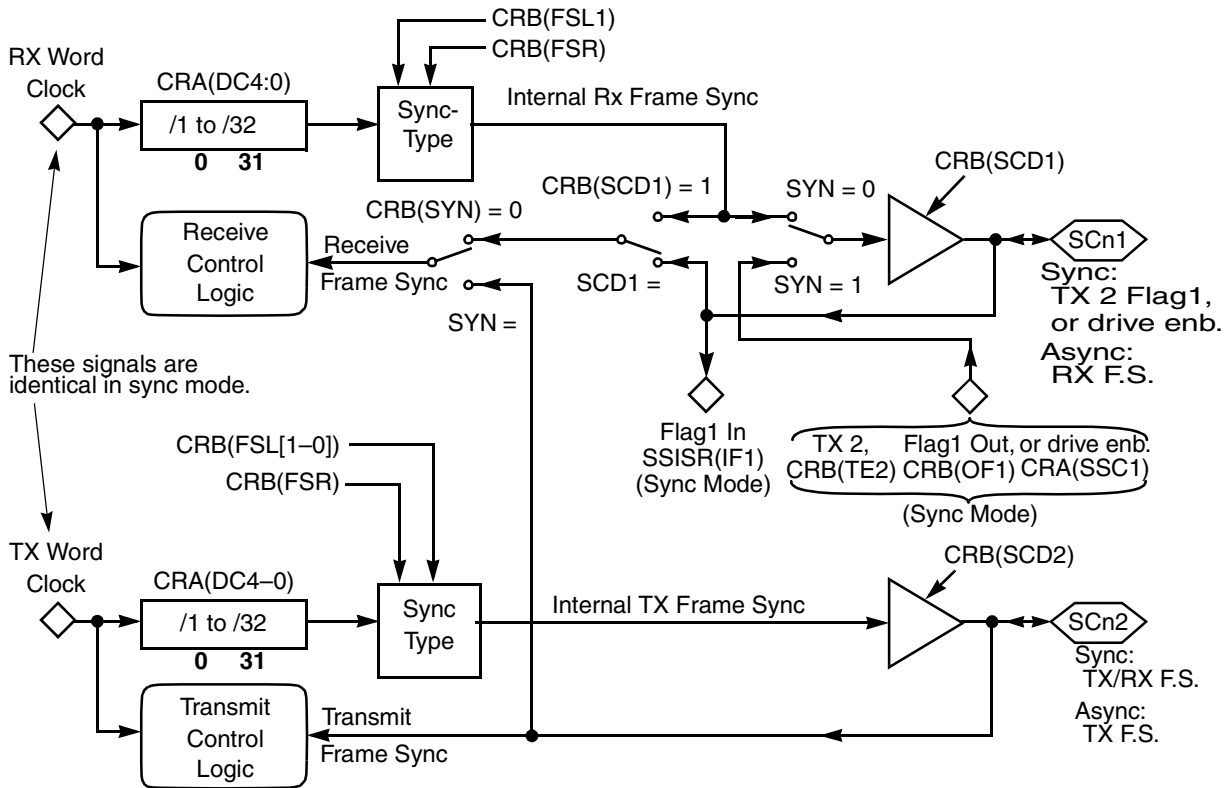


Figure 7-4. ESSI Frame Sync Generator Functional Block Diagram

## 7.5.2 ESSI Control Register B (CRB)

CRB is one of two read/write control registers that direct the operation of the ESSI (see **Figure 7-5**). The CRB bit definitions are presented in **Table 7-4**. CRB controls the ESSI multifunction signals, SC[2–0], which can be used as clock inputs or outputs, frame synchronization signals, transmit data signals, or serial I/O flag signals.

23	22	21	20	19	18	17	16	15	14	13	12
REIE	TEIE	RLIE	TLIE	RIE	TIE	RE	TE0	TE1	TE2	MOD	SYN
11	10	9	8	7	6	5	4	3	2	1	0
CKP	FSP	FSR	FSL1	FSL0	SHFD	SCKD	SCD2	SCD1	SCD0	OF1	OF0

(ESSI0 X:\$FFFFB6, ESSI1 X:\$FFFA6)

**Figure 7-5.** ESSI Control Register B (CRB)

The CRB contains the serial output flag control bits and the direction control bits for the serial control signals. Also in the CRB are interrupt enable bits for the receiver and the transmitter. Bit settings of the CRB determines how many transmitters are enabled: 0, 1, 2, or 3. The CRB settings also determine the ESSI operating mode. Either a hardware  $\overline{\text{RESET}}$  signal or a software RESET instruction clears all the bits in the CRB. **Table 7-2, Mode and Signal Definitions**, on page 7-4 summarizes the relationship between the ESSI signals SC[2–0], SCK, and the CRB bits.

The ESSI has two serial output flag bits, OF1 and OF0. The normal sequence follows for setting output flags when transmitting data (by transmitter 0 through the STD signal only).

1. Wait for TDE (TX0 empty) to be set.
2. Write the flags.
3. Write the transmit data to the TX register

Bits OF0 and OF1 are double-buffered so that the flag states appear on the signals when the TX data is transferred to the transmit shift register. The flag bit values are synchronized with the data transfer. The timing of the optional serial output signals SC[2–0] is controlled by the frame timing and is not affected by the settings of TE2, TE1, TE0, or the receive enable (RE) bit of the CRB.

The ESSI has three transmit enable bits (TE[2–0]), one for each data transmitter. The process of transmitting data from TX1 and TX2 is the same. TX0 differs from these two bits in that it can also operate in Asynchronous mode. The normal transmit enable sequence is to write data to one or more transmit data registers (or the Time Slot Register (TSR)) before you set the TE bit. The normal transmit disable sequence is to set the Transmit Data Empty (TDE) bit and then to clear the TE, Transmit Interrupt Enable (TIE), and Transmit Exception Interrupt Enable (TEIE) bits. In Network mode, if you clear the appropriate TE bit and set it again, then you disable the corresponding transmitter (0, 1, or 2) after transmission of the current data word. The transmitter remains disabled until the beginning of the next frame. During that time period, the

corresponding SC (or STD in the case of TX0) signal remains in a high-impedance state. The CRB bits are cleared by either a hardware  $\overline{\text{RESET}}$  signal or a software RESET instruction.

**Table 7-4. ESSI Control Register B (CRB) Bit Definitions**

Bit Number	Bit Name	Reset Value	Description
23	REIE	0	<b>Receive Exception Interrupt Enable</b> When the REIE bit is set, the DSP is interrupted when both RDF and ROE in the ESSI status register are set. When REIE is cleared, this interrupt is disabled. The receive interrupt is documented in <b>Section 7.3.3, Exceptions</b> , on page 7-7. A read of the status register followed by a read of the receive data register clears both ROE and the pending interrupt.
22	TEIE	0	<b>Transmit Exception Interrupt Enable</b> When the TEIE bit is set, the DSP is interrupted when both TDE and TUE in the ESSI status register are set. When TEIE is cleared, this interrupt is disabled. The use of the transmit interrupt is documented in <b>Section 7.3.3, Exceptions</b> , on page 7-7. A read of the status register, followed by a write to all the data registers of the enabled transmitters, clears both TUE and the pending interrupt.
21	RLIE	0	<b>Receive Last Slot Interrupt Enable</b> Enables/disables an interrupt after the last slot of a frame ends when the ESSI is in Network mode. When RLIE is set, the DSP is interrupted after the last slot in a frame ends regardless of the receive mask register setting. When RLIE is cleared, the receive last slot interrupt is disabled. The use of the receive last slot interrupt is documented in <b>Section 7.3.3, Exceptions</b> , on page 7-7. RLIE is disabled when the ESSI is in On-Demand mode (DC = \$0).
20	TLIE	0	<b>Transmit Last Slot Interrupt Enable</b> Enables/disables an interrupt at the beginning of the last slot of a frame when the ESSI is in Network mode. When TLIE is set, the DSP is interrupted at the start of the last slot in a frame regardless of the transmit mask register setting. When TLIE is cleared, the transmit last slot interrupt is disabled. The transmit last slot interrupt is documented in <b>Section 7.3.3, Exceptions</b> , on page 7-7. TLIE is disabled when the ESSI is in On-Demand mode (DC = \$0).
19	RIE	0	<b>Receive Interrupt Enable</b> Enables/disables a DSP receive data interrupt; the interrupt is generated when both the RIE and receive data register full (RDF) bit (in the SSISR) are set. When RIE is cleared, this interrupt is disabled. The receive interrupt is documented in <b>Section 7.3.3, Exceptions</b> , on page 7-7. When the receive data register is read, it clears RDF and the pending interrupt. Receive interrupts with exception have higher priority than normal receive data interrupts. If the receiver overrun error (ROE) bit is set (signaling that an exception has occurred) and the REIE bit is set, the ESSI requests an SSI receive data with exception interrupt from the interrupt controller.
18	TIE	0	<b>Transmit Interrupt Enable</b> Enables/disables a DSP transmit interrupt; the interrupt is generated when both the TIE and the TDE bits in the ESSI status register are set. When TIE is cleared, the transmit interrupt is disabled. The transmit interrupt is documented in <b>Section 7.3.3</b> . When data is written to the data registers of the enabled transmitters or to the TSR, it clears TDE and also clears the interrupt. Transmit interrupts with exception conditions have higher priority than normal transmit data interrupts. If the transmitter underrun error (TUE) bit is set (signaling that an exception has occurred) and the TEIE bit is set, the ESSI requests an SSI transmit data with exception interrupt from the interrupt controller.

**Table 7-4. ESSI Control Register B (CRB) Bit Definitions (Continued)**

Bit Number	Bit Name	Reset Value	Description
17	RE	0	<p><b>Receive Enable</b> Enables/disables the receive portion of the ESSI. When RE is cleared, the receiver is disabled: data transfer into RX is inhibited. If data is being received while this bit is cleared, the remainder of the word is shifted in and transferred to the ESSI receive data register. RE must be set in both Normal and On-Demand modes for the ESSI to receive data. In Network mode, clearing RE and setting it again disables the receiver after reception of the current data word. The receiver remains disabled until the beginning of the next data frame.</p> <p><b>Note:</b> The setting of the RE bit does not affect the generation of a frame sync.</p>
16	TE0	0	<p><b>Transmit 0 Enable</b> Enables the transfer of data from TX0 to Transmit Shift Register 0. TE0 is functional when the ESSI is in either synchronous or Asynchronous mode. When TE0 is set and a frame sync is detected, the transmitter 0 is enabled for that frame.</p> <p>When TE0 is cleared, transmitter 0 is disabled after the transmission of data currently in the ESSI transmit shift register. The STD output is tri-stated, and any data present in TX0 is not transmitted. In other words, data can be written to TX0 with TE0 cleared; the TDE bit is cleared, but data is not transferred to the transmit shift register 0. The transmit enable sequence in On-Demand mode can be the same as in Normal mode, or TE0 can be left enabled.</p> <p><b>Note:</b> Transmitter 0 is the only transmitter that can operate in Asynchronous mode (SYN = 0). The setting of the TE0 bit does not affect the generation of frame sync or output flags.</p>
15	TE1	0	<p><b>Transmit 1 Enable</b> Enables the transfer of data from TX1 to Transmit Shift Register 1. TE1 is functional only when the ESSI is in Synchronous mode and is ignored when the ESSI is in Asynchronous mode. When TE1 is set and a frame sync is detected, transmitter 1 is enabled for that frame.</p> <p>When TE1 is cleared, transmitter 1 is disabled after completing transmission of data currently in the ESSI transmit shift register. Any data present in TX1 is not transmitted. If TE1 is cleared, data can be written to TX1; the TDE bit is cleared, but data is not transferred to transmit shift register 1. If the TE1 bit is kept cleared until the start of the next frame, it causes the SC0 signal to act as serial I/O flag from the start of the frame in both Normal and Network mode. The transmit enable sequence in On-Demand mode can be the same as in Normal mode, or the TE1 bit can be left enabled.</p> <p><b>Note:</b> The setting of the TE1 bit does not affect the generation of frame sync or output flags.</p>

**Table 7-4. ESSI Control Register B (CRB) Bit Definitions (Continued)**

Bit Number	Bit Name	Reset Value	Description
14	TE2	0	<p><b>Transmit 2 Enable</b> Enables the transfer of data from TX2 to Transmit Shift Register 2. TE2 is functional only when the ESSI is in Synchronous mode and is ignored when the ESSI is in Asynchronous mode. When TE2 is set and a frame sync is detected, transmitter 2 is enabled for that frame.</p> <p>When TE2 is cleared, transmitter 2 is disabled after completing transmission of data currently in the ESSI transmit shift register. Any data present in TX2 is not transmitted. If TE2 is cleared, data can be written to TX2; the TDE bit is cleared, but data is not transferred to transmit shift register 2. If the TE2 bit is kept cleared until the start of the next frame, it causes the SC1 signal to act as a serial I/O flag from the start of the frame in both Normal mode and Network mode. The transmit enable sequence in On-Demand mode can be the same as in Normal mode, or the TE2 bit can be left enabled.</p> <p><b>Note:</b> The setting of the TE2 bit does not affect the generation of frame sync or output flags.</p>
13	MOD	0	<p><b>Mode Select</b> Selects the operational mode of the ESSI, as in <b>Figure 7-8</b> on page -25, <b>Figure 7-9</b> on page -26, and <b>Figure 7-10</b> on page -26. When MOD is cleared, the Normal mode is selected; when MOD is set, the Network mode is selected. In Normal mode, the frame rate divider determines the word transfer rate: one word is transferred per frame sync during the frame sync time slot. In Network mode, a word can be transferred every time slot. For details, see <b>Section 7.3</b>.</p>
12	SYN	0	<p><b>Synchronous/Asynchronous</b> Controls whether the receive and transmit functions of the ESSI occur synchronously or asynchronously with respect to each other. (See <b>Figure 7-7</b> on page -24.) When SYN is cleared, the ESSI is in Asynchronous mode, and separate clock and frame sync signals are used for the transmit and receive sections. When SYN is set, the ESSI is in Synchronous mode, and the transmit and receive sections use common clock and frame sync signals. Only in Synchronous mode can more than one transmitter be enabled.</p>
11	CKP	0	<p><b>Clock Polarity</b> Controls which bit clock edge data and frame sync are clocked out and latched in. If CKP is cleared, the data and the frame sync are clocked out on the rising edge of the transmit bit clock and latched in on the falling edge of the receive bit clock. If CKP is set, the data and the frame sync are clocked out on the falling edge of the transmit bit clock and latched in on the rising edge of the receive bit clock.</p>
10	FSP	0	<p><b>Frame Sync Polarity</b> Determines the polarity of the receive and transmit frame sync signals. When FSP is cleared, the frame sync signal polarity is positive; that is, the frame start is indicated by the frame sync signal going high. When FSP is set, the frame sync signal polarity is negative; that is, the frame start is indicated by the frame sync signal going low.</p>

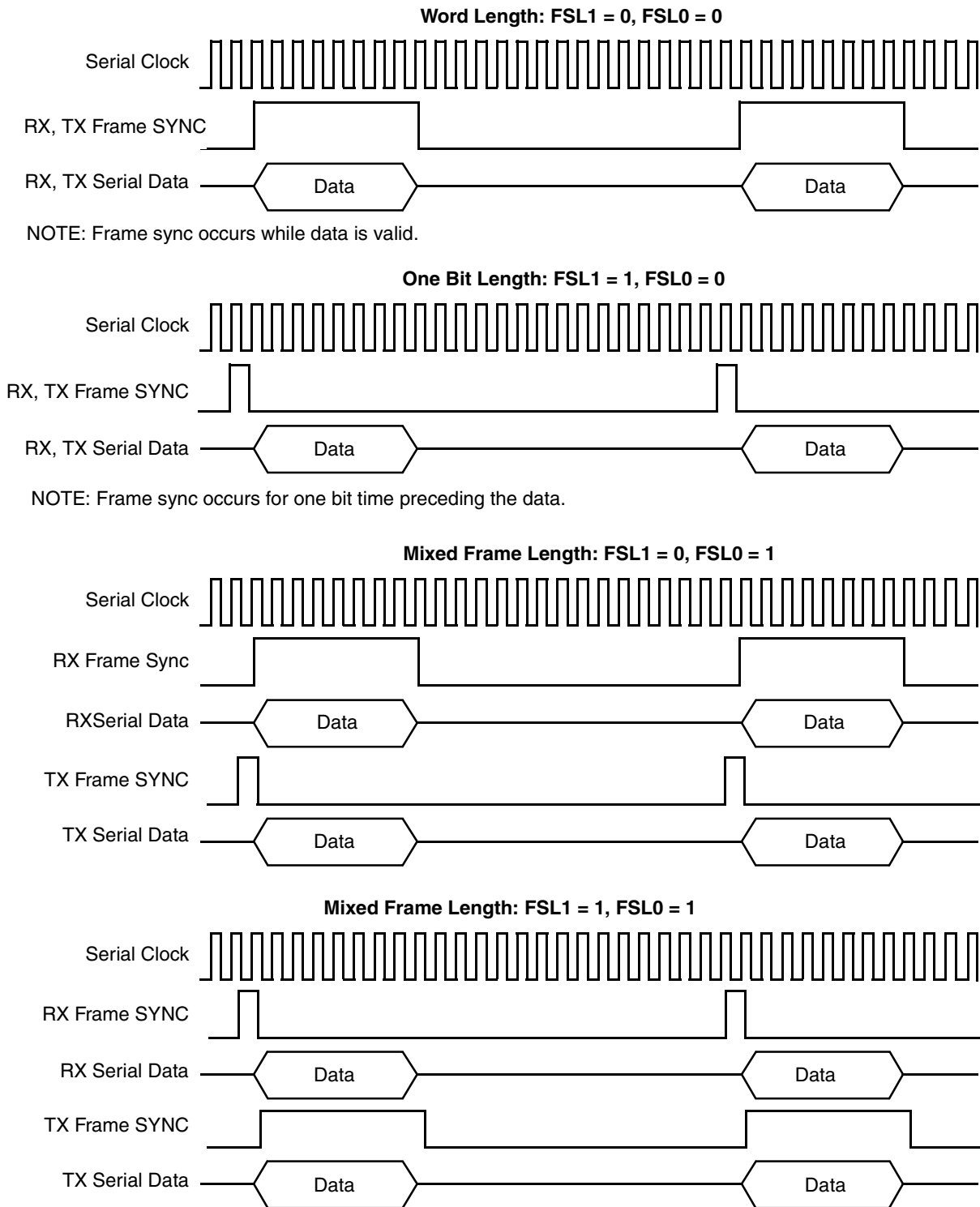


**Table 7-4. ESSI Control Register B (CRB) Bit Definitions (Continued)**

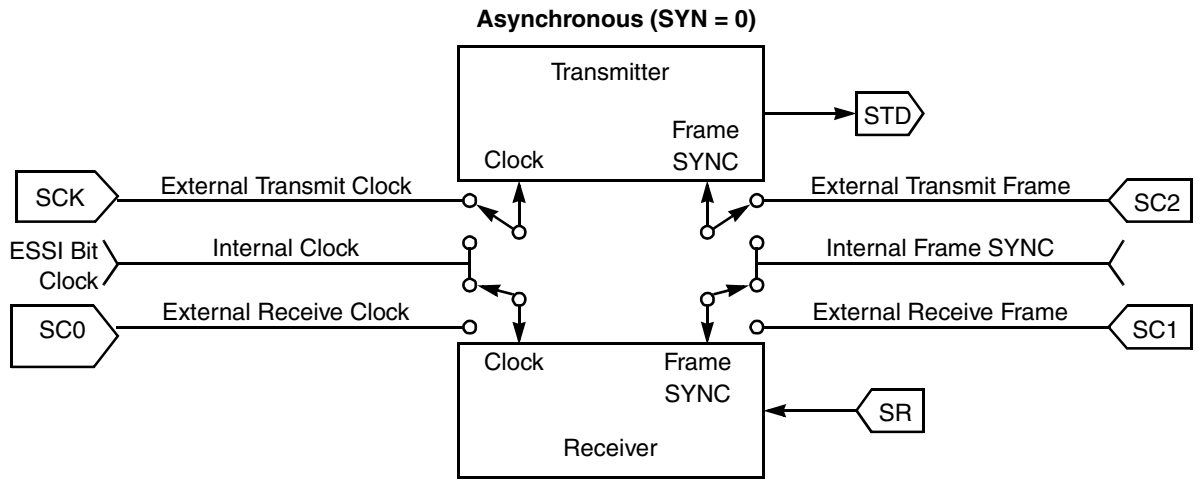
Bit Number	Bit Name	Reset Value	Description																						
9	FSR	0	<p><b>Frame Sync Relative Timing</b> Determines the relative timing of the receive and transmit frame sync signal in reference to the serial data lines for word length frame sync only. When FSR is cleared, the word length frame sync occurs together with the first bit of the data word of the first slot. When FSR is set, the word length frame sync occurs one serial clock cycle earlier (that is, simultaneously with the last bit of the previous data word).</p>																						
8–7	FSL[1–0]	0	<p><b>Frame Sync Length</b> Selects the length of frame sync to be generated or recognized, as in <b>Figure 7-6</b> on page -23, <b>Figure 7-9</b> on page -26, and <b>Figure 7-10, Network Mode, External Frame Sync (8 Bit, 2 Words in Frame)</b>, on page 7-26.</p>																						
			<table border="1"> <thead> <tr> <th rowspan="2">FSL1</th> <th rowspan="2">FSL0</th> <th colspan="2">Frame Sync Length</th> </tr> <tr> <th>RX</th> <th>TX</th> </tr> </thead> <tbody> <tr> <td>0</td> <td>0</td> <td>word</td> <td>word</td> </tr> <tr> <td>0</td> <td>1</td> <td>word</td> <td>bit</td> </tr> <tr> <td>1</td> <td>0</td> <td>bit</td> <td>bit</td> </tr> <tr> <td>1</td> <td>1</td> <td>bit</td> <td>word</td> </tr> </tbody> </table>	FSL1	FSL0	Frame Sync Length		RX	TX	0	0	word	word	0	1	word	bit	1	0	bit	bit	1	1	bit	word
			FSL1			FSL0	Frame Sync Length																		
				RX	TX																				
			0	0	word	word																			
0	1	word	bit																						
1	0	bit	bit																						
1	1	bit	word																						
6	SHFD	0	<p><b>Shift Direction</b> Determines the shift direction of the transmit or receive shift register. If SHFD is set, data is shifted in and out with the LSB first. If SHFD is cleared, data is shifted in and out with the MSB first, as in <b>Figure 7-12, ESSI Data Path Programming Model (SHFD = 0)</b>, on page 7-29 and <b>Figure 7-13</b> on page -30.</p>																						
5	SCKD	0	<p><b>Clock Source Direction</b> Selects the source of the clock signal that clocks the transmit shift register in Asynchronous mode and both the transmit and receive shift registers in Synchronous mode. If SCKD is set and the ESSI is in Synchronous mode, the internal clock is the source of the clock signal used for all the transmit shift registers and the receive shift register. If SCKD is set and the ESSI is in Asynchronous mode, the internal clock source becomes the bit clock for the transmit shift register and word length divider. The internal clock is output on the SCK signal. When SCKD is cleared, the external clock source is selected. The internal clock generator is disconnected from the SCK signal, and an external clock source may drive this signal.</p>																						
4	SCD2	0	<p><b>Serial Control Direction 2</b> Controls the direction of the SC2 I/O signal. When SCD2 is set, SC2 is an output; when SCD2 is cleared, SC2 is an input.</p> <p><b>Note:</b> Programming the ESSI to use an internal frame sync (that is, SCD2 = 1 in CRB) causes the SC2 and SC1 signals to be programmed as outputs. However, if the corresponding multiplexed pins are programmed by the Port Control Register (PCR) to be GPIOs, the GPIO Port Direction Register (PRR) chooses their direction. The ESSI uses an external frame sync if GPIO is selected. To assure correct operation, either program the GPIO pins as outputs or configure the pins in the PCR as ESSI signals. The default selection for these signals after reset is GPIO. This note applies to both ESSI0 and ESSI1.</p>																						

**Table 7-4.** ESSI Control Register B (CRB) Bit Definitions (Continued)

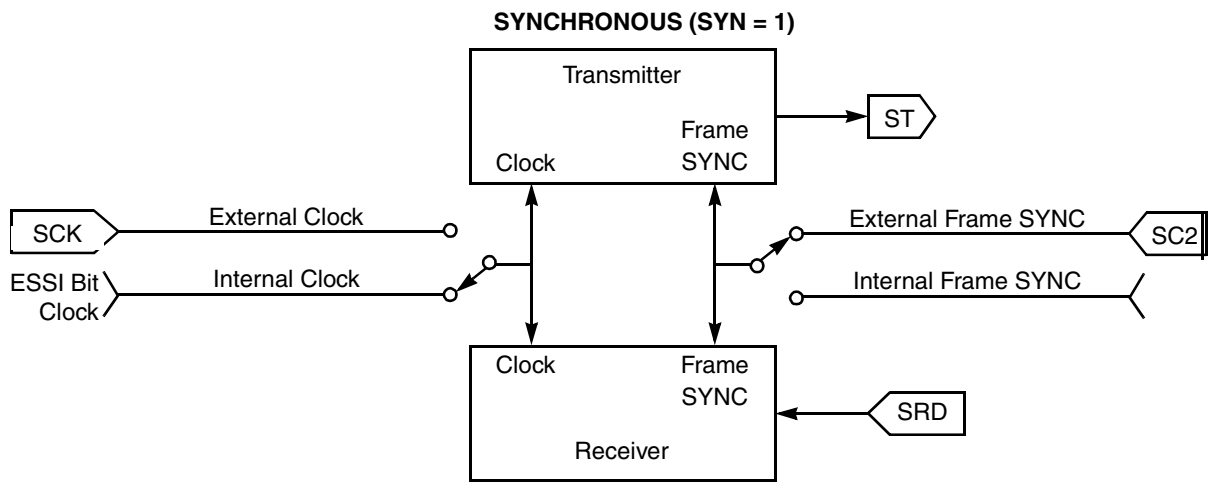
Bit Number	Bit Name	Reset Value	Description
3	SCD1	0	<b>Serial Control Direction 1</b> In Synchronous mode (SYN = 1) when transmitter 2 is disabled (TE2 = 0), or in Asynchronous mode (SYN = 0), SCD1 controls the direction of the SC1 I/O signal. When SCD1 is set, SC1 is an output; when SCD1 is cleared, SC1 is an input. When TE2 is set, the value of SCD1 is ignored and the SC1 signal is always an output.
2	SCD0	0	<b>Serial Control Direction 0</b> In Synchronous mode (SYN = 1) when transmitter 1 is disabled (TE1 = 0), or in Asynchronous mode (SYN = 0), SCD0 controls the direction of the SC0 I/O signal. When SCD0 is set, SC0 is an output; when SCD0 is cleared, SC0 is an input. When TE1 is set, the value of SCD0 is ignored and the SC0 signal is always an output.
1	OF1	0	<b>Serial Output Flag 1</b> In Synchronous mode (SYN = 1), when transmitter 2 is disabled (TE2 = 0), the SC1 signal is configured as ESSI flag 1. When SCD1 is set, SC1 is an output. Data present in bit OF1 is written to SC1 at the beginning of the frame in Normal mode or at the beginning of the next time slot in Network mode.
0	OF0	0	<b>Serial Output Flag 0</b> In Synchronous mode (SYN = 1), when transmitter 1 is disabled (TE1 = 0), the SC0 signal is configured as ESSI flag 0. When SCD0 is set, the SC0 signal is an output. Data present in Bit OF0 is written to SC0 at the beginning of the frame in Normal mode or at the beginning of the next time slot in Network mode.



**Figure 7-6.** CRB FSL0 and FSL1 Bit Operation (FSR = 0)

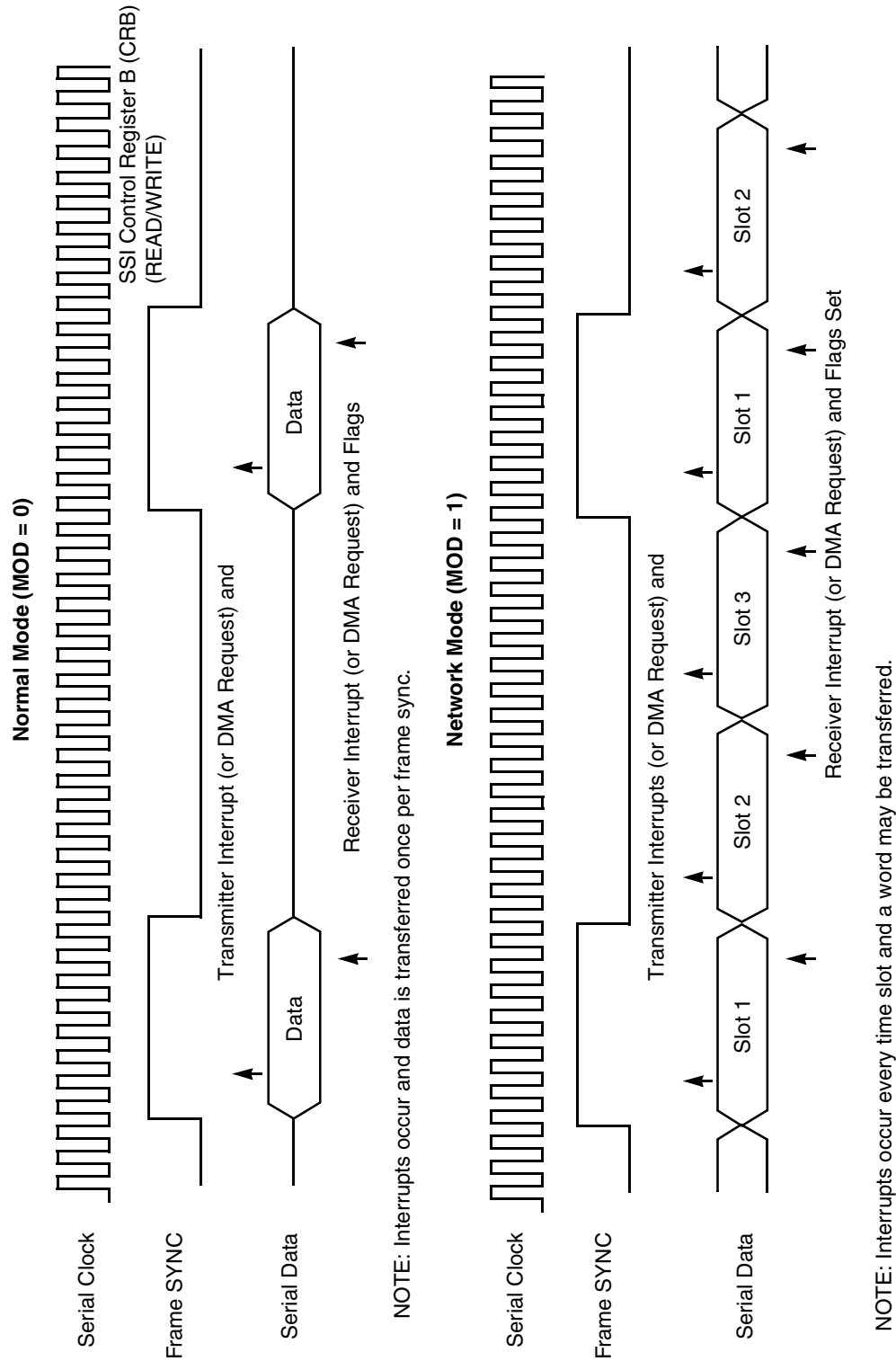


NOTE: Transmitter and receiver may have different clocks and frame syncs.

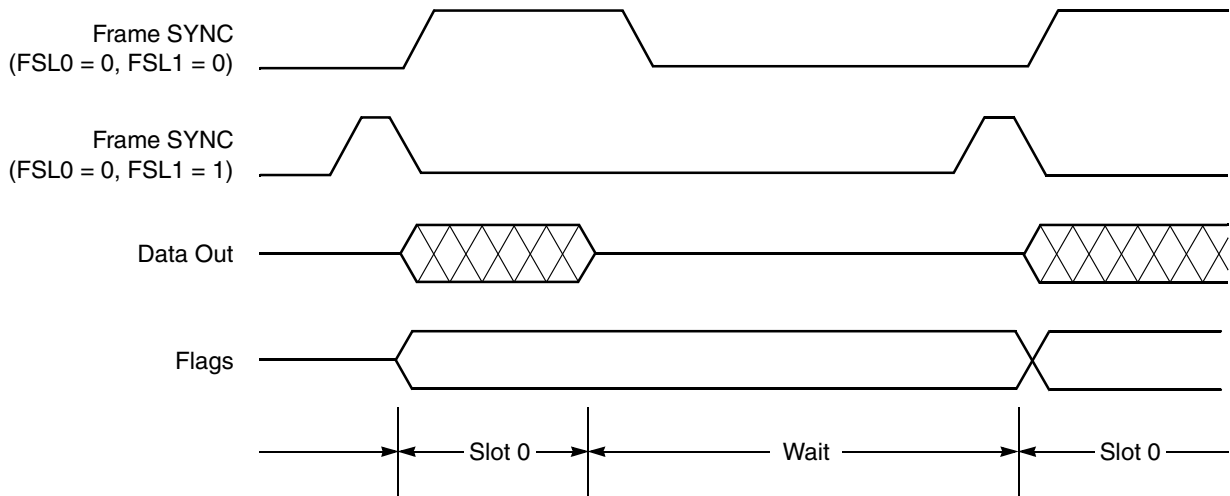


NOTE: Transmitter and receiver may have the same clock frame syncs.

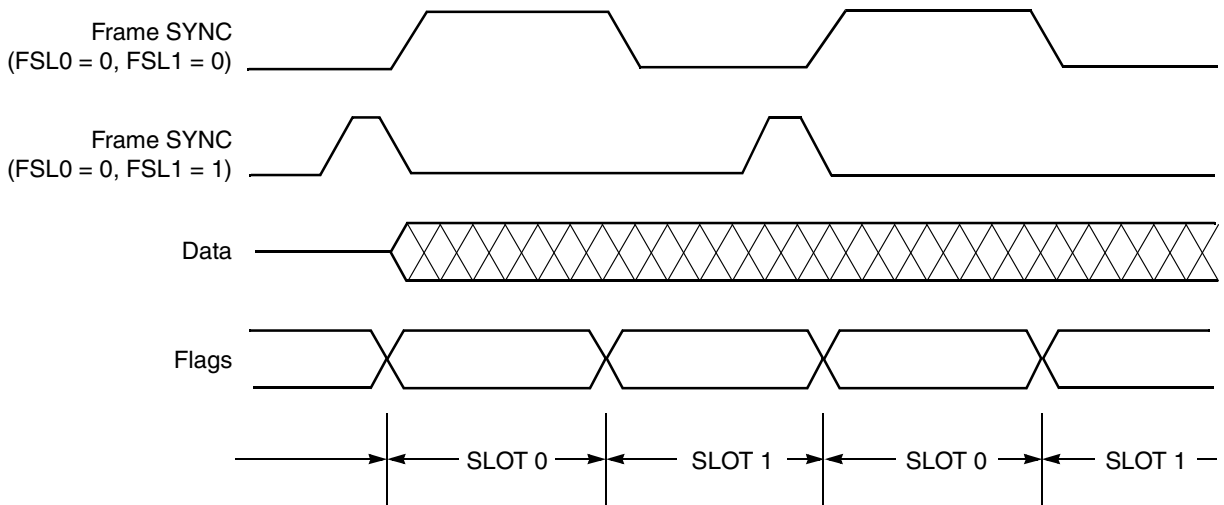
**Figure 7-7. CRB SYN Bit Operation**



**Figure 7-8.** CRB MOD Bit Operation



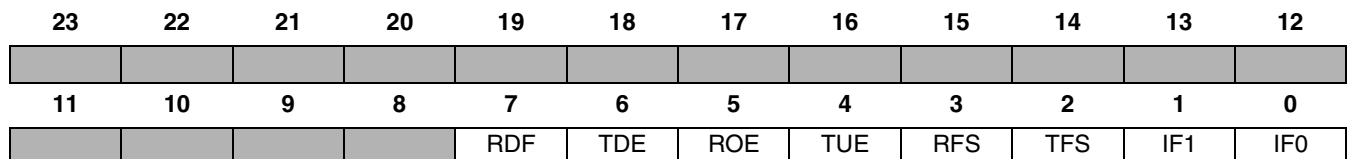
**Figure 7-9.** Normal Mode, External Frame Sync (8 Bit, 1 Word in Frame)



**Figure 7-10.** Network Mode, External Frame Sync (8 Bit, 2 Words in Frame)

### 7.5.3 ESSI Status Register (SSISR)

The SSISR is a read-only status register by which the DSP reads the ESSI status and serial input flags.



—Reserved bit; read as 0; write to 0 0 for future compatibility.  
(ESSI0 X:\$FFFFB7, ESSI1 X:\$FFFA7)

**Figure 7-11.** ESSI Status Register (SSISR)

Table 7-5. ESSI Status Register (SSISR) Bit Definitions

Bit Number	Bit Name	Reset Value	Description
23–8		0	Reserved. Write to 0 for future compatibility.
7	RDF	0	<b>Receive Data Register Full</b> Set when the contents of the receive shift register transfer to the receive data register. RDF is cleared when the DSP reads the receive data register. If RIE and RDF are set, a DSP receive data interrupt request is issued.
6	TDE	0	<b>Transmit Data Register Empty</b> Set when the contents of the transmit data register of every enabled transmitter are transferred to the transmit shift register. It is also set for a TSR disabled time slot period in Network mode (as if data were being transmitted after the TSR has been written). When TDE is set, TDE data is written to all the TX registers of the enabled transmitters or to the TSR. The TDE bit is cleared when the DSP writes to all the transmit data registers of the enabled transmitters, or when the DSP writes to the TSR to disable transmission of the next time slot. If the TIE bit is set, a DSP transmit data interrupt request is issued when TDE is set.
5	ROE	0	<b>Receiver Overrun Error Flag</b> Set when the serial receive shift register is filled and ready to transfer to the receive data register (RX) but RX is already full (that is, the RDF bit is set). If the REIE bit is set, a DSP receiver overrun error interrupt request is issued when the ROE bit is set. The programmer clears ROE by reading the SSISR with the ROE bit set and then reading the RX.
4	TUE	0	<b>Transmitter Underrun Error Flag</b> TUE is set when at least one of the enabled serial transmit shift registers is empty (that is, there is no new data to be transmitted) and a transmit time slot occurs. When a transmit underrun error occurs, the previous data (which is still present in the TX registers not written) is retransmitted. In Normal mode, there is only one transmit time slot per frame. In Network mode, there can be up to 32 transmit time slots per frame. If the TEIE bit is set, a DSP transmit underrun error interrupt request is issued when the TUE bit is set. The programmer can also clear TUE by first reading the SSISR with the TUE bit set, then writing to all the enabled transmit data registers or to the TSR.
3	RFS	0	<b>Receive Frame Sync Flag</b> When set, the RFS bit indicates that a receive frame sync occurred during the reception of a word in the serial receive data register. In other words, the data word is from the first time slot in the frame. When the RFS bit is cleared and a word is received, it indicates (only in Network mode) that the frame sync did not occur during reception of that word. RFS is valid only if the receiver is enabled (that is, if the RE bit is set). In Normal mode, RFS is always read as 1 when data is read because there is only one time slot per frame, the frame sync time slot.
2	TFS	0	<b>Transmit Frame Sync Flag</b> When set, TFS indicates that a transmit frame sync occurred in the current time slot. TFS is set at the start of the first time slot in the frame and cleared during all other time slots. If the transmitter is enabled, data written to a transmit data register during the time slot when TFS is set is transmitted (in Network mode) during the second time slot in the frame. TFS is useful in Network mode to identify the start of a frame. TFS is valid only if at least one transmitter is enabled that is, when TE0, TE1, or TE2 is set). In Normal mode, TFS is always read as 1 when data is being transmitted because there is only one time slot per frame, the frame sync time slot.

**Table 7-5. ESSI Status Register (SSISR) Bit Definitions (Continued)**

Bit Number	Bit Name	Reset Value	Description
1	IF1	0	<b>Serial Input Flag 1</b> The ESSI latches any data on the SC1 signal during reception of the first received bit after the frame sync is detected. IF1 is updated with this data when the data in the receive shift register transfers into the receive data register. IF1 is enabled only when SC1 is an input flag and Synchronous mode is selected; that is, when SC1 is programmed as ESSI in the port control register (PCR), the SYN bit is set, and the TE2 and SCD1 bits are cleared. If it is not enabled, IF1 is cleared.
0	IF0	0	<b>Serial Input Flag 0</b> The ESSI latches any data on the SC0 signal during reception of the first received bit after the frame sync is detected. The IF0 bit is updated with this data when the data in the receive shift register transfers into the receive data register. IF0 is enabled only when SC0 is an input flag and the Synchronous mode is selected; that is, when SC0 is programmed as ESSI in the port control register (PCR), the SYN bit is set, and the TE1 and SCD0 bits are cleared. If it is not enabled, the IF0 bit is cleared.

### 7.5.4 ESSI Receive Shift Register

The 24-bit Receive Shift Register (see **Figure 7-12** and **Figure 7-13**) receives incoming data from the serial receive data signal. The selected (internal/external) bit clock shifts data in when the associated frame sync I/O is asserted. Data is received MSB first if SHFD is cleared and LSB first if SHFD is set. Data transfers to the ESSI Receive Data Register (RX) after 8, 12, 16, 24, or 32 serial clock cycles are counted, depending on the word length control bits in the CRA.

### 7.5.5 ESSI Receive Data Register (RX)

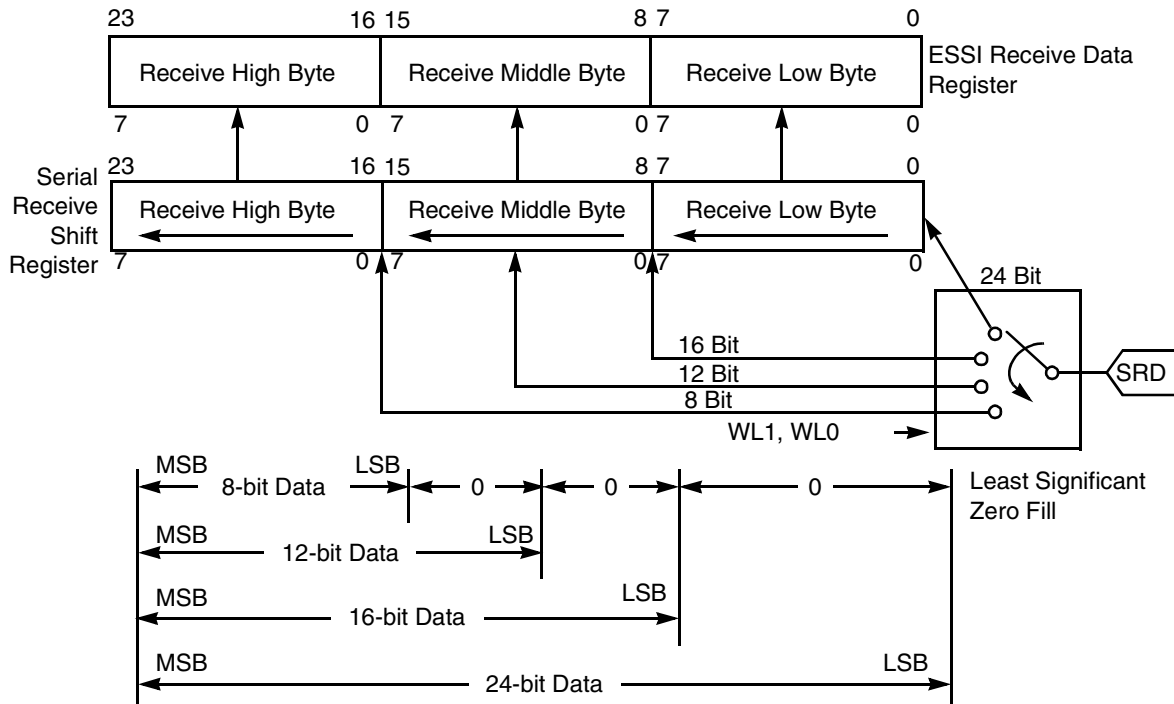
The Receive Data Register (RX) is a 24-bit read-only register that accepts data from the receive shift register as it becomes full, according to **Figure 7-12** and **Figure 7-13**. The data read is aligned according to the value of the ALC bit. When the ALC bit is cleared, the MSB is bit 23, and the least significant byte is unused. When the ALC bit is set, the MSB is bit 15, and the most significant byte is unused. Unused bits are read as 0. If the associated interrupt is enabled, the DSP is interrupted whenever the RX register becomes full.

### 7.5.6 ESSI Transmit Shift Registers

The three 24-bit transmit shift registers contain the data being transmitted, as in **Figure 7-12** and **Figure 7-13**. Data is shifted out to the serial transmit data signals by the selected (whether internal or external) bit clock when the associated frame sync I/O is asserted. The word-length control bits in CRA determine the number of bits that must be shifted out before the shift registers are considered empty and can be written again. Depending on the setting of the CRA, the number of bits to be shifted out can be 8, 12, 16, 24, or 32. Transmitted data is aligned according to the value of the ALC bit. When ALC is cleared, the MSB is Bit 23 and the least significant byte is unused. When ALC is set, the MSB is Bit 15 and the most significant byte is

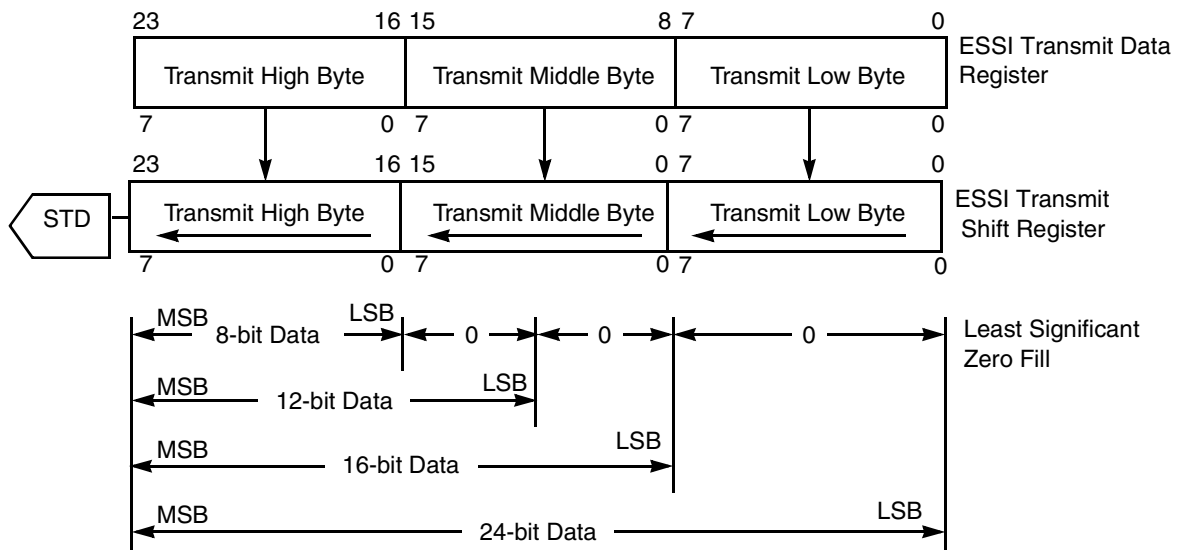


unused. Unused bits are read as 0. Data shifts out of these registers MSB first if the SHFD bit is cleared and LSB first if SHFD is set.



(a) Receive Registers

NOTES:  
 Data is received MSB first if SHFD = 0.  
 24-bit fractional format (ALC = 0).  
 32-bit mode is not shown.

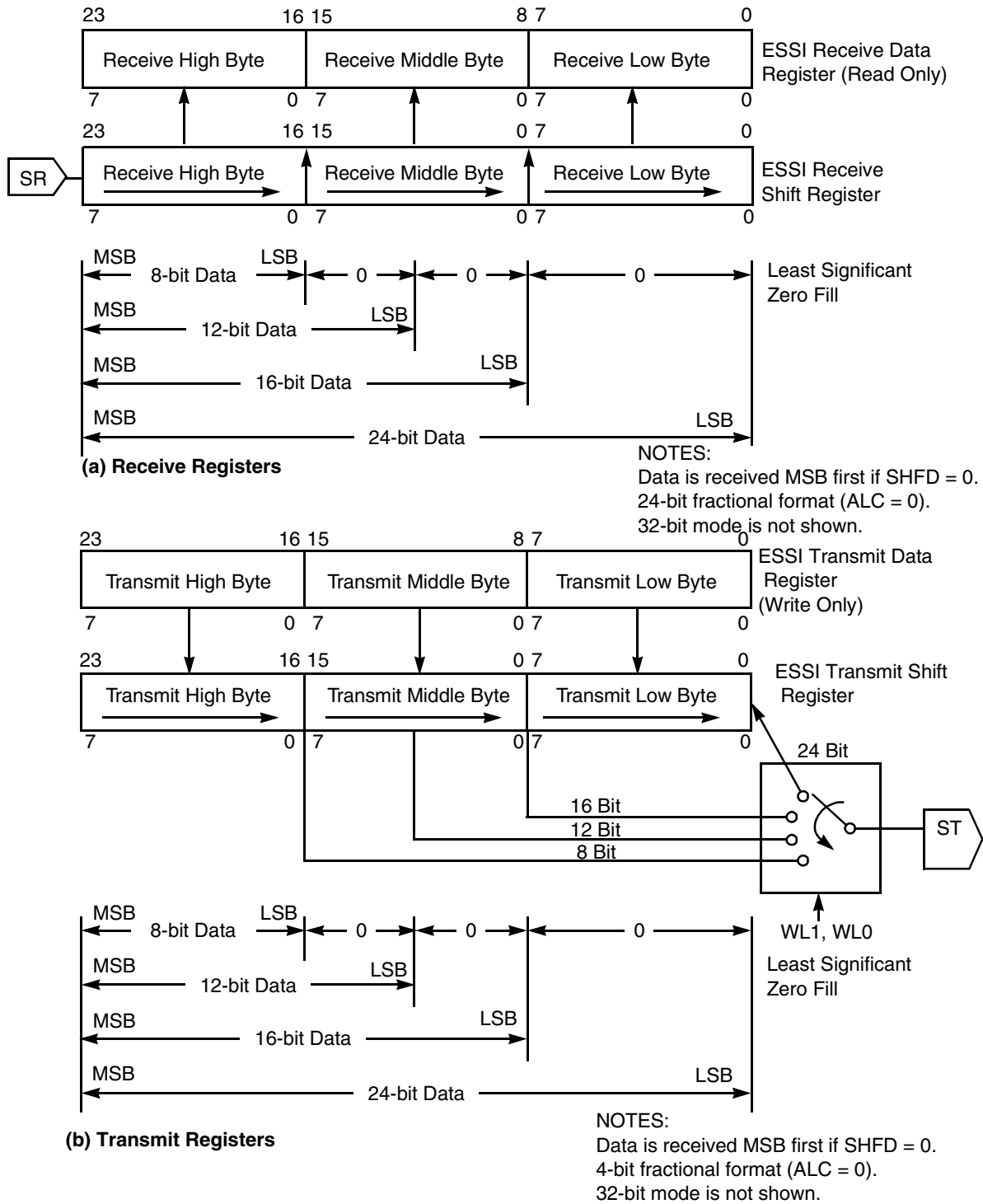


(b) Transmit Registers

NOTES:  
 Data is transmitted MSB first if  
 SHFD = 0. 4-bit fractional format (ALC = 0).  
 32-bit mode is not shown.

Figure 7-12. ESSI Data Path Programming Model (SHFD = 0)

# Enhanced Synchronous Serial Interface (ESSI)



**Figure 7-13. ESSI Data Path Programming Model (SHFD = 1)**

### 7.5.7 ESSI Transmit Data Registers (TX[2–0])

ESSI0:TX20, TX10, TX00; ESSI1:TX21, TX11, TX01

TX2, TX1, and TX0 are 24-bit write-only registers. Data written into these registers automatically transfers to the transmit shift registers. (See **Figure 7-12** and **Figure 7-13**.) The data transmitted (8, 12, 16, or 24 bits) is aligned according to the value of the ALC bit. When the ALC bit is cleared, the MSB is Bit 23. When ALC is set, the MSB is Bit 15. If the transmit data register empty interrupt has been enabled, the DSP is interrupted whenever a transmit data register becomes empty.

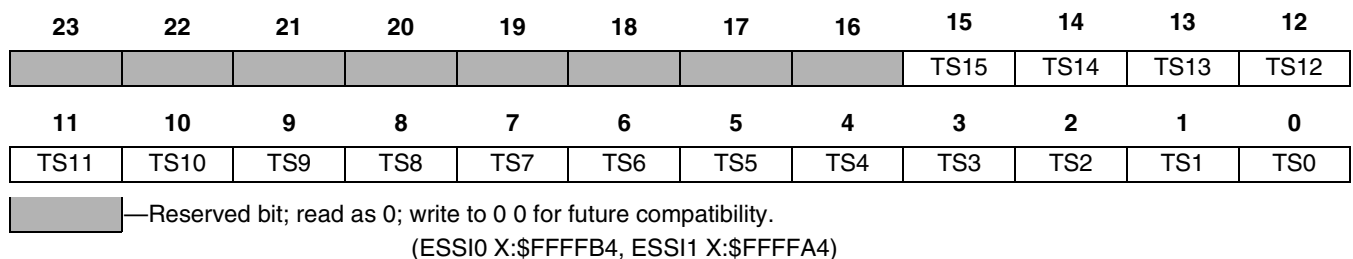
**Note:** When data is written to a peripheral device, there is a two-cycle pipeline delay while any status bits affected by this operation are updated. If any of those status bits are read during the two-cycle delay, the status bit may not reflect the current status.

### 7.5.8 ESSI Time Slot Register (TSR)

TSR is effectively a write-only null data register that prevents data transmission in the current transmit time slot. For timing purposes, TSR is a write-only register that behaves as an alternative transmit data register, except that, rather than transmitting data, the transmit data signals of all the enabled transmitters are in the high-impedance state for the current time slot.

### 7.5.9 Transmit Slot Mask Registers (TSMA, TSMB)

Both transmit slot mask registers are read/write registers. When the TSMA or TSMB is read to the internal data bus, the register contents occupy the two low-order bytes of the data bus, and the high-order byte is filled by 0. In Network mode the transmitter(s) use these registers to determine which action to take in the current transmission slot. Depending on the bit settings, the transmitter(s) either tri-state the transmitter(s) data signal(s) or transmit a data word and generate a transmitter empty condition.



**Figure 7-14.** ESSI Transmit Slot Mask Register A (TSMA)

23	22	21	20	19	18	17	16	15	14	13	12
								TS31	TS30	TS29	TS28
11	10	9	8	7	6	5	4	3	2	1	0
TS27	TS26	TS25	TS24	TS23	TS22	TS21	TS20	TS19	TS18	TS17	TS16

—Reserved bit; read as 0; write to 0 0 for future compatibility.

(ESSI0 X:\$FFFFB3, ESSI1 X:\$FFFA3)

**Figure 7-15.** ESSI Transmit Slot Mask Register B (TSMB)

TSMA and TSMB (as in **Figure 7-12** and **Figure 7-13**) can be seen as a single 32-bit register, TSM. Bit n in TSM (TSn) is an enable/disable control bit for transmission in slot number N. When TSn is cleared, all the data signals of the enabled transmitters are tri-stated during transmit time slot number N. The data still transfers from the enabled transmit data register(s) to the transmit shift register. However, the TDE and the TUE flags are not set. Consequently, during a disabled slot, no transmitter empty interrupt is generated. The DSP is interrupted only for enabled slots. Data written to the transmit data register when the transmitter empty interrupt request is serviced transmits in the next enabled transmit time slot. When TSn is set, the transmit sequence proceeds normally. Data transfers from the TX register to the shift register during slot number N, and the TDE flag is set. The TSM slot mask does not conflict with the TSR. Even if a slot is enabled in the TSM, you can chose to write to the TSR to tri-state the signals of the enabled transmitters during the next transmission slot. Setting the bits in the TSM affects the next frame transmission. The frame being transmitted is not affected by the new TSM setting. If the TSM is read, it shows the current setting.

After a hardware  $\overline{\text{RESET}}$  signal or software RESET instruction, the TSM register is reset to \$FFFFFFFF, enabling all 32 slots for data transmission.

### 7.5.10 Receive Slot Mask Registers (RSMA, RSMB)

Both receive slot mask registers are read/write registers. In Network mode, the receiver(s) use these registers to determine which action to take in the current time slot. Depending on the setting of the bits, the receiver(s) either tri-state the receiver(s) data signal(s) or receive a data word and generate a receiver full condition.

23	22	21	20	19	18	17	16	15	14	13	12
								RS15	RS14	RS13	RS12
11	10	9	8	7	6	5	4	3	2	1	0
RS11	RS10	RS9	RS8	RS7	RS6	RS5	RS4	RS3	RS2	RS1	RS0

—Reserved bit; read as 0; write to 0 0 for future compatibility.

(ESSI0 X:\$FFFFB2, ESSI1 X:\$FFFA2)

**Figure 7-16.** ESSI Receive Slot Mask Register A (RSMA)

23	22	21	20	19	18	17	16	15	14	13	12
								RS31	RS30	RS29	RS28
11	10	9	8	7	6	5	4	3	2	1	0
RS27	RS26	RS25	RS24	RS23	RS22	RS21	RS20	RS19	RS18	RS17	RS16

—Reserved. Read as zero. Write with zero for future compatibility.

(ESSI0 X:\$FFFFB1, ESSI1 X:\$FFFA1)

**Figure 7-17.** ESSI Receive Slot Mask Register B (RSMB)

RSMA and RSMB (as in **Figure 7-12** and **Figure 7-13**) can be seen as one 32-bit register, RSM. Bit  $n$  in RSM ( $RS_n$ ) is an enable/disable control bit for time slot number  $N$ . When  $RS_n$  is cleared, all the data signals of the enabled receivers are tri-stated during time slot number  $N$ . Data transfers from the receive data register(s) to the receive shift register(s), but the RDF and ROE flags are not set. Consequently, during a disabled slot, no receiver full interrupt is generated. The DSP is interrupted only for enabled slots. When  $RS_n$  is set, the receive sequence proceeds normally. Data is received during slot number  $N$ , and the RDF flag is set.

When the bits in the  $RSM_x$  are set, the frame being transmitted is unaffected, but the next frame transmission is affected. If the  $RSM_x$  is read, it shows the current setting. When the internal data bus reads RSMA or RSMB, the register contents occupy the two low-order bytes of the data bus, and the high-order byte is filled by 0.

After a hardware  $\overline{RESET}$  signal or a software RESET instruction, the RSM register is reset to \$FFFFFFFF, enabling all 32 time slots for data transmission.

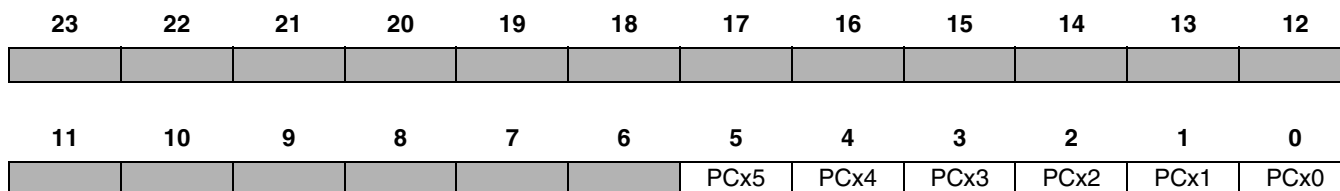
## 7.6 GPIO Signals and Registers

The functionality of each ESSI port is controlled by three registers: port control register (PCRC, PCRD), port direction register (PRRC, PRRD), and port data register (PDRC, PDRD).


### 7.6.1 Port Control Registers (PCRC and PCRD)

The read/write 24-bit PCRs control the functionality of the signal lines for ESSI0 and ESSI1. Each of the PCR bits 5–0 controls the functionality of the corresponding signal line. When a PCR[ $i$ ] bit is set, the corresponding port signal is configured as an ESSI signal. When a PCR[ $i$ ] bit is cleared, the corresponding port signal is configured as a GPIO signal. Either a hardware  $\overline{RESET}$  signal or a software RESET instruction clears all PCR bits.

## Enhanced Synchronous Serial Interface (ESSI)



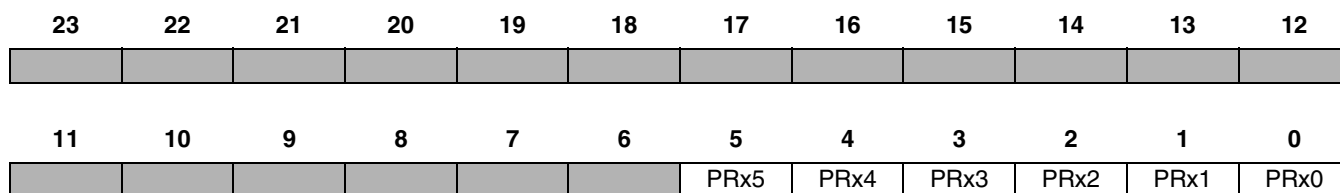
**Note:** For P<sub>x</sub>[5–0], a 0 selects P<sub>xn</sub> as the signal and a 1 selects the specified ESSI signal. For ESSI0, the GPIO signals are PC[5–0] and the ESSI signals are STD0, SRD0, SCK0, and SC0[2–0]. For ESSI1, the GPIO signals are PD[5–0] and the ESSI signals are STD1, SRD1, SCK1, and SC1[2–0].

 = Reserved. Read as zero. Write with zero for future compatibility.


**Figure 7-18.** Port Control Registers (PCRC X:\$FFFFBF) (PCRD X:\$FFFAF)

### 7.6.2 Port Direction Registers (PRRC and PRRD)

The read/write PRRC and PRRD control the data direction of the ESSI0 and ESSI1 GPIO signals when they are enabled by the associated Port Control Register (PCRC or PCRD, respectively). When PRRC[i] or PRRD[i] is set, the corresponding signal is an output (GPO) signal. When PRRC[i] or PRRD[i] is cleared, the corresponding signal is an input (GPI) signal. Either a hardware  $\overline{\text{RESET}}$  signal or a software RESET instruction clears all PRRC and PRRD bits.



**Note:** For bits 5–0, a 0 configures PR<sub>xn</sub> as a GPI and a 1 configures PR<sub>xn</sub> as a GPO. For ESSI0, the GPIO signals are PC[5–0]. For ESSI1, the GPIO signals are PD[5–0]. The corresponding direction bits for Port C GPIOs are PRC[5–0]. The corresponding direction bits for Port D GPIOs are PRD[5–0].

 = Reserved. Read as zero. Write with zero for future compatibility.

**Figure 7-19.** Port Direction Registers (PRRC X:\$FFFFBE) (PRRD X:\$FFFFAE)

**Table 7-6** summarizes the ESSI port signal configurations.

**Table 7-6.** ESSI Port Signal Configurations

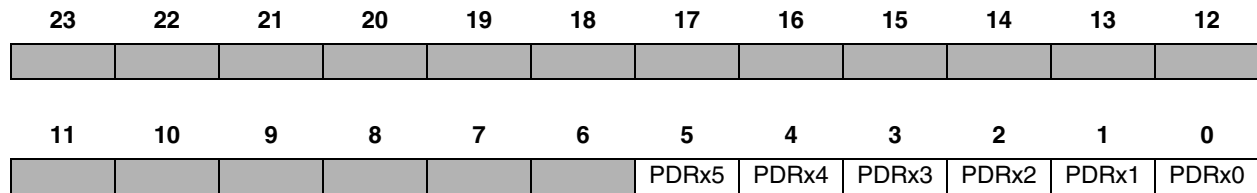
PCRC/PCRD[i]	PRRC/PRRD[i]	Port Signal[i] Function
1	X	ESSI0/ESSI1
0	0	Port C/Port D GPI
0	1	Port C/Port D GPO

X: The signal setting is irrelevant to the Port Signal[i] function.

### 7.6.3 Port Data Registers (PDRD and PDRD)

Bits 5–0 of the read/write PDRs write data to or read data from the associated ESSI GPIO signal lines if they are configured as GPIO signals. If a port signal PC[i] or PD[i] is configured as an input (GPI), the corresponding PDRD[i] or PDRD[i] bit reflects the value present on the input

signal line. If a port signal PC[i] or PD[i] is configured as an output (GPO), a value written to the corresponding PDRC[i] or PDRD[i] bit is reflected as a value on the output signal line. Either a hardware  $\overline{\text{RESET}}$  signal or a software RESET instruction clears all PDRC and PDRD bits.



**Note:** For bits 5–0, the value represents the level that is written to or read from the associated signal line if it is enabled as a GPIO signal by the respective port control register (PCRC or PCRD) bits. For ESSIO, the GPIO signals are PC[5–0]. For ESS11, the GPIO signals are PD[5–0]. The corresponding data bits for Port C GPIOs are PDRC[5–0]. The corresponding data bits for Port D GPIOs are PDRD[5–0].

= Reserved. Read as zero. Write with zero for future compatibility.

**Figure 7-20.** Port Data Registers (PDRC X:\$FFFFBD) (PDRD X: \$FFFFAD)





# Serial Communication Interface (SCI) 8

The SCI provides a full-duplex port for serial communication with other DSPs, microprocessors, or peripherals such as modems. The SCI interfaces without additional logic to peripherals that use TTL-level signals. With a small amount of additional logic, the SCI can connect to peripheral interfaces that have non-TTL level signals, such as RS-232, RS-422, and so on. This interface uses three dedicated signals: transmit data, receive data, and SCI serial clock. It supports industry-standard asynchronous bit rates and protocols, as well as high-speed synchronous data transmission. SCI asynchronous protocols include a multidrop mode for master/slave operation with wake-up on idle line and wake-up on address bit capability. This mode allows the DSP56309 to share a single serial line efficiently with other peripherals.

The SCI consists of separate transmit and receive sections that can operate asynchronously with respect to each other. A programmable baud rate generator supplies the transmit and receive clocks. An enable vector and an interrupt vector are included so that the baud-rate generator can function as a general-purpose timer when the SCI is not using it, or when the interrupt timing is the same as that used by the SCI.

## 8.1 Operating Modes

The operating modes for the DSP56309 SCI are as follows:

- 8-bit synchronous (shift register mode)
- 10-bit asynchronous (1 start, 8 data, 1 stop)
- 11-bit asynchronous (1 start, 8 data, 1 even parity, 1 stop)
- 11-bit asynchronous (1 start, 8 data, 1 odd parity, 1 stop)
- 11-bit multidrop asynchronous (1 start, 8 data, 1 data type, 1 stop)

This mode is used for master/slave operation with wake-up on idle line and wake-up on address bit capability. It allows the DSP56309 to share a single serial line efficiently with other peripherals.

These modes are selected by the SCR WD[2–0] bits. Synchronous data mode is essentially a high-speed shift register for I/O expansion and stream-mode channel interfaces. A gated transmit and receive clock compatible with the Intel 8051 serial interface mode 0 synchronizes data. Asynchronous modes are compatible with most UART-type serial devices. Standard RS-232 communication links are supported by these modes. Multidrop Asynchronous mode is

compatible with the MC68681 DUART, the M68HC11 SCI interface, and the Intel 8051 serial interface.

### **8.1.1 Synchronous Mode**

Synchronous mode (SCR[WD2–0]=000, Shift Register mode) handles serial-to-parallel and parallel-to-serial conversions. In Synchronous mode, the clock is always common to the transmit and receive shift registers. As a controller (synchronous master), the DSP puts out a clock on the SCLK pin. To select master mode, choose the internal transmit and receive clocks (set TCM and RCM=0).

As a peripheral (synchronous slave), the DSP accepts an input clock from the SCLK pin. To select the slave mode, choose the external transmit and receive clocks (TCM and RCM=1). Since there is no frame signal, if a clock is missed because of noise or any other reason, the receiver loses synchronization with the data without any error signal being generated. You can detect an error of this type with an error detecting protocol or with external circuitry such as a watchdog timer. The simplest way to recover synchronization is to reset the SCI.

### **8.1.2 Asynchronous Mode**

Asynchronous data uses a data format with embedded word sync, which allows an unsynchronized data clock to be synchronized with the word if the clock rate and number of bits per word is known. Thus, the clock can be generated by the receiver rather than requiring a separate clock signal. The transmitter and receiver both use an internal clock that is 16 times the data rate to allow the SCI to synchronize the data. The data format requires that each data byte have an additional start bit and stop bit. Also, two of the word formats have a parity bit. The Multidrop mode used when SCIs are on a common bus has an additional data type bit. The SCI can operate in full-duplex or half-duplex modes since the transmitter and receiver are independent.

### **8.1.3 Multidrop Mode**

Multidrop is a special case of asynchronous data transfer. The key difference is that a protocol allows networking transmitters and receivers on a single data-transmission line. Inter-processor messages in a multidrop network typically begin with a destination address. All receivers check for an address match at the start of each message. Receivers with no address match can ignore the remainder of the message and use a wakeup mode to enable the receiver at the start of the next message. Receivers with an address match can receive the message and optionally transmit an acknowledgment to the sender. The particular message format and protocol used are determined by the user's software.

### 8.1.3.1 Transmitting Data and Address Characters

To send data, the 8-bit data character must be written to the STX register. Writing the data character to the STX register sets the ninth bit in the frame to zero, which indicates that this frame contains data. To send an 8-bit address, the address data is written to the STXA register, and the ninth bit in the frame is set to one, indicating that this frame contains an address.

### 8.1.3.2 Wired-OR Mode

Building a multidrop bus network requires connecting multiple transmitters to a common wire. The Wired-OR mode allows this to be done without damaging the transmitters when the transmitters are not in use. A protocol is still needed to prevent two transmitters from simultaneously driving the bus. The SCI multidrop word format provides an address field to support this protocol.

### 8.1.3.3 Idle Line Wakeup

A wakeup mode frees a DSP from reading messages intended for other processors. The usual operational procedure is for each DSP to suspend SCI reception (the DSP can continue processing) until the beginning of a message. Each DSP compares the address in the message header with the DSP's address. If the addresses do not match, the SCI again suspends reception until the next address. If the address matches, the DSP reads and processes the message and then suspends reception until the next address. The Idle Line Wakeup mode wakes up the SCI to read a message before the first character arrives.

### 8.1.3.4 Address Mode Wakeup

The purpose and basic operational procedure for Address Mode Wakeup is the same as for Idle Line Wakeup. The difference is that Address Mode Wakeup re-enables the SCI when the ninth bit in a character is set to one (if cleared, this bit marks a character as data; if set, an address). As a result, an idle line is not needed, which eliminates the dead time between messages.

## 8.2 I/O Signals

Each of the three SCI signals (RXD, TXD, and SCLK) can be configured as either a GPIO signal or as a specific SCI signal. Each signal is independent of the others. For example, if only the TXD signal is needed, the RXD and SCLK signals can be programmed for GPIO. However, at least one of the three signals must be selected as an SCI signal to release the SCI from reset.

To enable SCI interrupts, program the SCI control registers before any of the SCI signals are programmed as SCI functions. In this case, only one transmit interrupt can be generated because the Transmit Data Register is empty. The timer and timer interrupt operate regardless of how the SCI pins are configured, either as SCI or GPIO.

### 8.2.1 Receive Data (RXD)

This input signal receives byte-oriented serial data and transfers the data to the SCI receive shift register. Asynchronous input data is sampled on the positive edge of the receive clock ( $1 \times \text{SCLK}$ ) if the SCI Clock Polarity (SCKP) bit is cleared. RXD can be configured as a GPIO signal (PE0) when the SCI RXD function is not in use.

### 8.2.2 Transmit Data (TXD)

This output signal transmits serial data from the SCI transmit shift register. Data changes on the negative edge of the asynchronous transmit clock (SCLK) if SCKP is cleared. This output is stable on the positive edge of the transmit clock. TXD can be programmed as a GPIO signal (PE1) when the SCI TXD function is not in use.

### 8.2.3 SCI Serial Clock (SCLK)

This bidirectional signal provides an input or output clock from which the transmit and/or receive baud rate is derived in Asynchronous mode and from which data is transferred in Synchronous mode. SCLK can be programmed as a GPIO signal (PE2) when the SCI SCLK function is not in use. This signal can be programmed as PE2 when data is being transmitted on TXD, since the clock does not need to be transmitted in Asynchronous mode. Because SCLK is independent of SCI data I/O, there is no connection between programming the PE2 signal as SCLK and data coming out the TXD signal.

## 8.3 SCI After Reset

There are several different ways to reset the SCI:

- Hardware  $\overline{\text{RESET}}$  signal
- Software RESET instruction:  
Both hardware and software resets clear the port control register bits, which configure all I/O as GPIO input. The SCI remains in the Reset state as long as all SCI signals are programmed as GPIO (PC2, PC1, and PC0 all are cleared); the SCI becomes active only when at least one of the SCI I/O signals is not programmed as GPIO.
- Individual reset:  
During program execution, the PC2, PC1, and PC0 bits can all be cleared (that is, individually reset), causing the SCI to stop serial activity and enter the Reset state. All SCI status bits are set to their reset state. However, the contents of the SCR remain unaffected so the DSP program can reset the SCI separately from the other internal peripherals. During individual reset, internal DMA accesses to the data registers of the SCI are not valid, and the data is unknown.
- Stop processing state reset (that is, the STOP instruction)  
Executing the STOP instruction halts operation of the SCI until the DSP is restarted,

causing the SCI Status Register (SSR) to be reset. No other SCI registers are affected by the STOP instruction.

**Table 8-1** illustrates how each type of reset affects each register in the SCI.

**Table 8-1. SCI Registers After Reset**

Register	Bit Mnemonic	Bit Number	Reset Type			
			HW Reset	SW Reset	IR Reset	ST Reset
SCR	REIE	16	0	0	—	—
	SCKP	15	0	0	—	—
	STIR	14	0	0	—	—
	TMIE	13	0	0	—	—
	TIE	12	0	0	—	—
	RIE	11	0	0	—	—
	ILIE	10	0	0	—	—
	TE	9	0	0	—	—
	RE	8	0	0	—	—
	WOMS	7	0	0	—	—
	RWU	6	0	0	—	—
	WAKE	5	0	0	—	—
	SBK	4	0	0	—	—
	SSFTD	3	0	0	—	—
	WDS[2–0]	2–0	0	0	—	—
SSR	R8	7	0	0	0	0
	FE	6	0	0	0	0
	PE	5	0	0	0	0
	OR	4	0	0	0	0
	IDLE	3	0	0	0	0
	RDRF	2	0	0	0	0
	TDRE	1	1	1	1	1
	TRNE	0	1	1	1	1
SCCR	TCM	15	0	0	—	—
	RCM	14	0	0	—	—
	SCP	13	0	0	—	—
	COD	12	0	0	—	—
	CD[11–0]	11–0	0	0	—	—
SRX	SRX[23–0]	23–16, 15–8, 7–0	—	—	—	—
STX	STX[23–0]	23–0	—	—	—	—
SRSR	SRS[8–0]	8–0	—	—	—	—
STSH	STS[8–0]	8–0	—	—	—	—
SRSR	SCI receive shift register, STSH—SCI transmit shift register					
HW	Hardware reset is caused by asserting the external $\overline{\text{RESET}}$ signal.					
SW	Software reset is caused by executing the RESET instruction.					
IR	Individual reset is caused by clearing PCRE (bits 0–2) (configured for GPIO).					
ST	Stop reset is caused by executing the STOP instruction.					
1	The bit is set during this reset.					
0	The bit is cleared during this reset.					
—	The bit is not changed during this reset.					

## 8.4 SCI Initialization

The SCI is initialized as follows:

1. Ensure that the SCI is in its individual reset state ( $PCRE = 0$ ). Use a hardware  $\overline{RESET}$  signal or software RESET instruction.
2. Program the SCI control registers.
3. Configure at least one SCI signal as an SCI signal.

If interrupts are to be used, the signals must be selected, and global interrupts must be enabled and unmasked before the SCI can operate. The order does not matter; any one of these three requirements for interrupts can enable the SCI, but the interrupts should be unmasked last (that is, I[1–0] bits in the Status Register (SR) should be changed last). Synchronous applications usually require exact frequencies, so the crystal frequency must be chosen carefully. An alternative to selecting the system clock to accommodate the SCI requirements is to provide an external clock to the SCI. When the SCI is configured in Synchronous mode, internal clock, and all the SCI pins are simultaneously enabled, an extra pulse of one DSP clock length is provided on the SCLK pin.

There are two workarounds for this issue:

- Enable an SCI pin other than SCLK.
- In the next instruction, enable the remaining SCI pins, including the SCLK pin.

Following is an example of one way to initialize the SCI:

1. Ensure that the SCI is in its individual reset state ( $PCRE = 0$ ).
2. Configure the control registers (SCR, SCCR) according to the operating mode, but do not enable transmitter ( $TE = 0$ ) or receiver ( $RE = 0$ ).

**Note:** It is now possible to set the interrupts enable bits that are used during the operation. No interrupt occurs yet.

3. Enable the SCI by setting the PCRE bits according to which signals are used during operation.
4. If transmit interrupt is not used, write data to the transmitter.

**Note:** If transmitter interrupt enable is set, an interrupt is issued and the interrupt handler should write data into the transmitter. The DMA channel services the SCI transmit request if it is programmed to service the SCI transmitter.

5. Enable transmitters ( $TE = 1$ ) and receiver ( $RE = 1$ ) according to use.

Operation starts as follows:

- For an internally-generated clock, the SCLK signal starts operation immediately after the SCI is enabled (Step 3 above) for Asynchronous modes. In Synchronous mode, the SCLK signal is active only while transmitting (that is, a gated clock).
- Data is received only when the receiver is enabled (RE = 1) and after the occurrence of the SCI receive sequence on the RXD signal, as defined by the operating mode (that is, idle line sequence).
- Data is transmitted only after the transmitter is enabled (TE = 1), and after the initialization sequence has been transmitted (depending on the operating mode).

### 8.4.1 Preamble, Break, and Data Transmission Priority

Two or three transmission commands can be set simultaneously:

- A preamble (TE is set.)
- A break (SBK is set or is cleared.)
- An indication that there is data for transmission (TDRE is cleared.)

After the current character transmission, if two or more of these commands are set, the transmitter executes them in the following order: preamble, break, data.

### 8.4.2 Bootstrap Loading Through the SCI (Boot Mode \$2 or RA)

When the DSP comes out of reset, it checks the MODD, MODC, MODB, and MODA pins and sets the corresponding mode bits in the Operating Mode Register (OMR). If the mode bits are write to 0010 or 1010, respectively, the DSP loads the program RAM from the SCI. **Appendix A, *Bootstrap Program*** shows the complete bootstrap code. This program performs the following steps:

1. Configures the SCI.
2. Loads the program size.
3. Loads the location where the program begins loading in program memory.
4. Loads the program.

First, the SCI Control Register is set to \$000302, which enables the transmitter and receiver and configures the SCI for 10 bits asynchronous with one start bit, 8 data bits, one stop bit, and no parity. Next, the SCI Clock Control Register is set to \$00C000, which configures the SCI to use external receive and transmit clocks from the SCLK pin input. This external clock must be 16 times the desired serial data rate.

The next step is to receive the program size and then the starting address to load the program. These two numbers are three bytes each loaded least significant byte first. Each byte is echoed



back as it is received. After both numbers are loaded, the program size is in A0 and the starting address is in A1.

The program is then loaded one byte at a time, least significant byte first. After the program is loaded, the operating mode is set to zero, the CCR is cleared, and the DSP begins execution with the first instruction loaded.

## 8.5 Exceptions

The SCI can cause five different exceptions in the DSP, discussed here from the highest to the lowest priority:

1. SCI receive data with exception status occurs when the receive data register is full with a receiver error (parity, framing, or overrun error). To clear the pending interrupt, read the SCI status register; then read SRX. Use a long interrupt service routine to handle the error condition. This interrupt is enabled by SCR[16] (REIE).
2. SCI receive data occurs when the receive data register is full. Read SRX to clear the pending interrupt. This error-free interrupt can use a fast interrupt service routine for minimum overhead. This interrupt is enabled by SCR[11] (RIE).
3. SCI transmit data occurs when the transmit data register is empty. Write STX to clear the pending interrupt. This error-free interrupt can use a fast interrupt service routine for minimum overhead. This interrupt is enabled by SCR[12] (TIE).
4. SCI idle line occurs when the receive line enters the idle state (10 or 11 bits of ones). This interrupt is latched and then automatically reset when the interrupt is accepted. This interrupt is enabled by SCR[10] (ILIE).
5. SCI timer occurs when the baud rate counter reaches zero. This interrupt is automatically reset when the interrupt is accepted. This interrupt is enabled by SCR[13] (TMIE).

## 8.6 SCI Programming Model

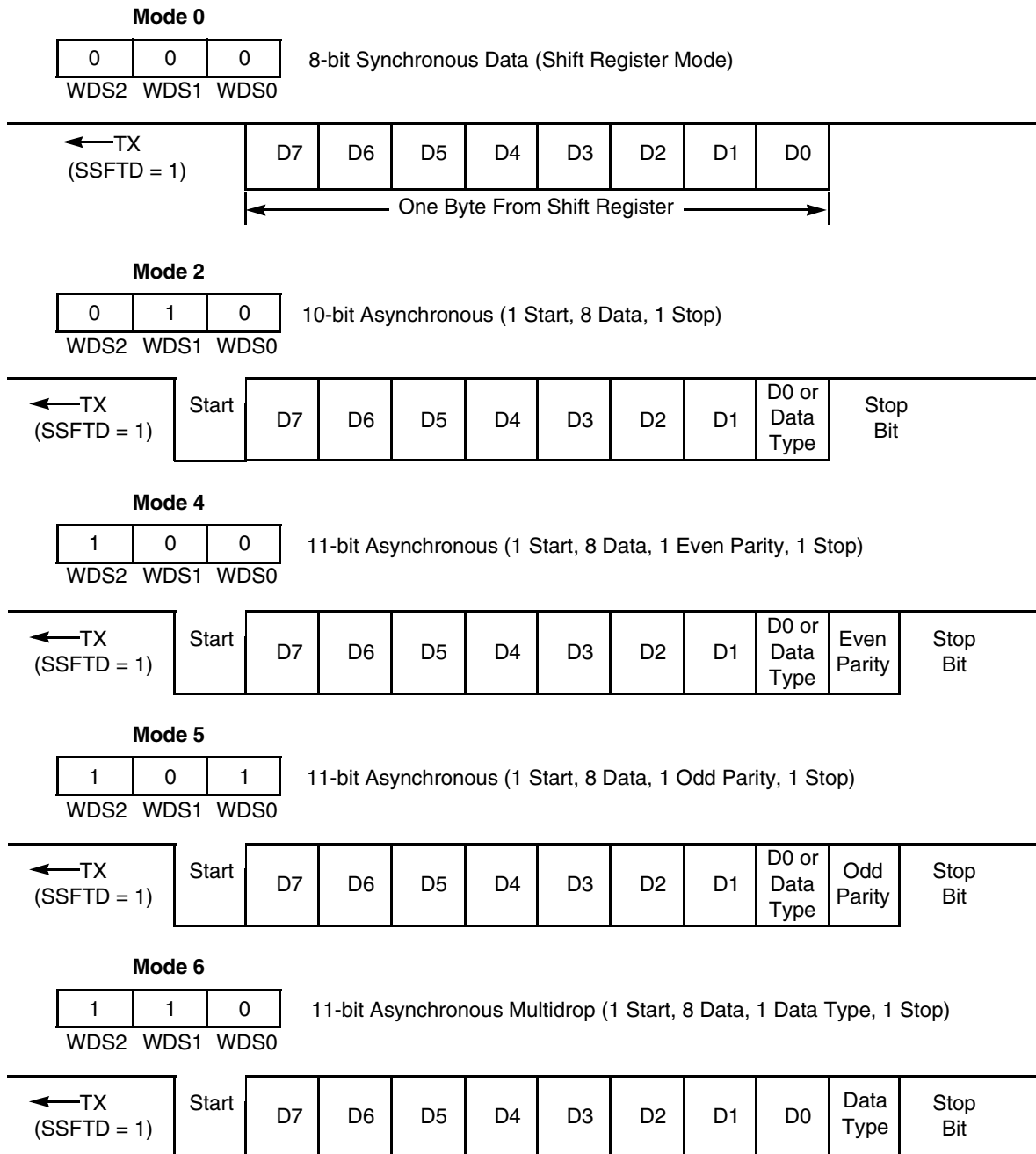
The SCI programming model can be viewed as three types of registers:

- Control
  - SCI Control Register (SCR) in **Figure 8-3**
  - SCI Clock Control Register (SCCR) in **Figure 8-4**
- Status
  - SCI Status Register (SSR) in **Figure 8-3**
- Data transfer
  - SCI Receive Data Registers (SRX) in **Figure 8-7**
  - SCI Transmit Data Registers (STX) in **Figure 8-7**



— SCI Transmit Data Address Register (STXA) in **Figure 8-7**

The SCI includes the GPIO functions described in **Section 8.7, GPIO Signals and Registers**, on page 8-22. The next subsections describe the registers and their bits.



Data Type: 1 = Address Byte  
 0 = Data Byte

- Modes 1, 3, and 7 are reserved.
- D0 = LSB; D7 = MSB
- Data is transmitted and received LSB first if SSFTD = 0, or MSB first if SSFTD = 1

**Figure 8-1.** SCI Data Word Formats (SSFTD = 1), 1

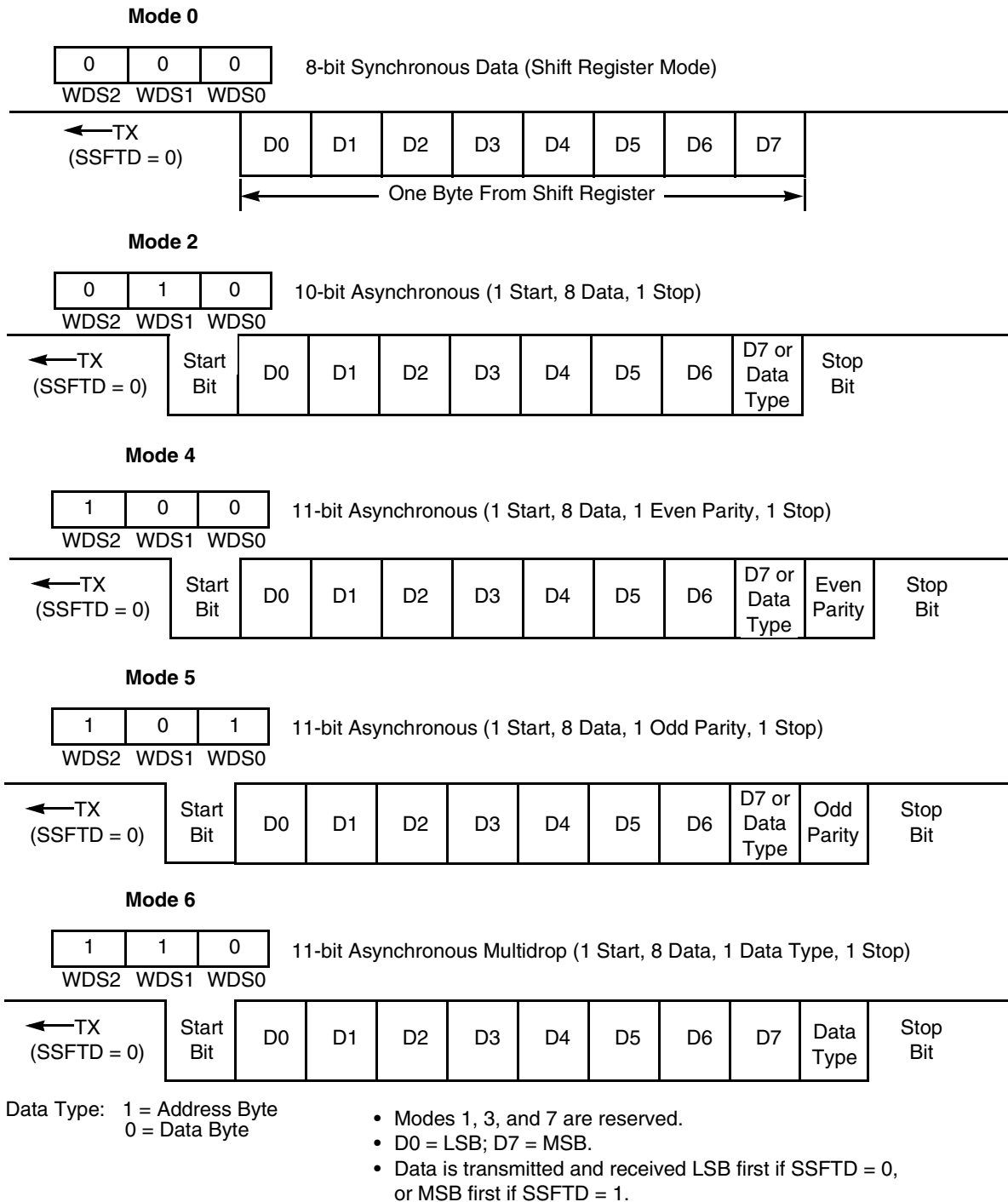


Figure 8-2. SCI Data Word Formats (SSFTD = 0), 2

### 8.6.1 SCI Control Register (SCR)

The SCR is a read/write register that controls the serial interface operation.

23	22	21	20	19	18	17	16
							REIE
15	14	13	12	11	10	9	8
SCKP	STIR	TMIE	TIE	RIE	ILIE	TE	RE
7	6	5	4	3	2	1	0
WOMS	RWU	WAKE	SBK	SSFTD	WDS2	WDS1	WDS0

—Reserved bit; read as 0; write to 0 for future compatibility.

Figure 8-3. SCI Control Register (SCR)

Table 8-2. SCI Control Register (SCR) Bit Definitions

Bit Number	Bit Name	Reset Value	Description
23–17		0	Reserved. Write to 0 for future compatibility.
16	REIE	0	<b>Receive with Exception Interrupt Enable</b> Enables/disables the SCI receive data with exception interrupt. If REIE is cleared, the receive data with exception interrupt is disabled. If both REIE and RDRF are set, and PE, FE, and OR are not all cleared, the SCI requests an SCI receive data with exception interrupt from the interrupt controller. Either a hardware $\overline{\text{RESET}}$ signal or a software RESET instruction clears REIE.
15	SCKP	0	<b>SCI Clock Polarity</b> Controls the clock polarity sourced or received on the clock signal (SCLK), eliminating the need for an external inverter. When SCKP is cleared, the clock polarity is positive; when SCKP is set, the clock polarity is negative. In Synchronous mode, positive polarity means that the clock is normally positive and transitions negative during valid data. Negative polarity means that the clock is normally negative and transitions positive during valid data. In Asynchronous mode, positive polarity means that the rising edge of the clock occurs in the center of the period that data is valid. Negative polarity means that the falling edge of the clock occurs during the center of the period that data is valid. Either a hardware $\overline{\text{RESET}}$ signal or a software RESET instruction clears SCKP.
14	STIR	0	<b>Timer Interrupt Rate</b> Controls a divide-by-32 in the SCI Timer interrupt generator. When STIR is cleared, the divide-by-32 is inserted in the chain. When STIR is set, the divide-by-32 is bypassed, thereby increasing timer resolution by a factor of 32. Either a hardware $\overline{\text{RESET}}$ signal or a software RESET instruction clears this bit. To ensure proper operation of the timer, STIR must not be changed during timer operation (that is, if TMIE = 1).
13	TMIE	0	<b>Timer Interrupt Enable</b> Enables/disables the SCI timer interrupt. If TMIE is set, timer interrupt requests are sent to the interrupt controller at the rate set by the SCI clock register. The timer interrupt is automatically cleared by the timer interrupt acknowledge from the interrupt controller. This feature allows DSP programmers to use the SCI baud rate generator as a simple periodic interrupt generator if the SCI is not in use, if external clocks are used for the SCI, or if periodic interrupts are needed at the SCI baud rate. The SCI internal clock is divided by 16 (to match the $1 \times$ SCI baud rate) for timer interrupt generation. This timer does not require that any SCI signals be configured for SCI use to operate. Either a hardware $\overline{\text{RESET}}$ signal or a software RESET instruction clears TMIE.

**Table 8-2. SCI Control Register (SCR) Bit Definitions (Continued)**

Bit Number	Bit Name	Reset Value	Description
12	TIE	0	<p><b>SCI Transmit Interrupt Enable</b></p> <p>Enables/disables the SCI transmit data interrupt. If TIE is cleared, transmit data interrupts are disabled, and the transmit data register empty (TDRE) bit in the SCI status register must be polled to determine whether the transmit data register is empty. If both TIE and TDRE are set, the SCI requests an SCI transmit data interrupt from the interrupt controller. Either a hardware <math>\overline{\text{RESET}}</math> signal or a software RESET instruction clears TIE.</p>
11	RIE	0	<p><b>SCI Receive Interrupt Enable</b></p> <p>Enables/disables the SCI receive data interrupt. If RIE is cleared, the receive data interrupt is disabled, and the RDRF bit in the SCI status register must be polled to determine whether the receive data register is full. If both RIE and RDRF are set, the SCI requests an SCI receive data interrupt from the interrupt controller. Receive interrupts with exception have higher priority than normal receive data interrupts. Therefore, if an exception occurs (that is, if PE, FE, or OR are set) and REIE is set, the SCI requests an SCI receive data with exception interrupt from the interrupt controller. Either a hardware <math>\overline{\text{RESET}}</math> signal or a software RESET instruction clears RIE.</p>
10	ILIE	0	<p><b>Idle Line Interrupt Enable</b></p> <p>When ILIE is set, the SCI interrupt occurs when IDLE (SCI status register bit 3) is set. When ILIE is cleared, the IDLE interrupt is disabled. Either a hardware <math>\overline{\text{RESET}}</math> signal or a software RESET instruction clears ILIE. An internal flag, the shift register idle interrupt (SRIINT) flag, is the interrupt request to the interrupt controller. SRIINT is not directly accessible to the user. When a valid start bit is received, an idle interrupt is generated if both IDLE and ILIE are set. The idle interrupt acknowledge from the interrupt controller clears this interrupt request. The idle interrupt is not asserted again until at least one character has been received. The results are as follows:</p> <ul style="list-style-type: none"> <li>• The IDLE bit shows the real status of the receive line at all times.</li> <li>• An idle interrupt is generated once for each idle state, no matter how long the idle state lasts.</li> </ul>
9	TE	0	<p><b>Transmitter Enable</b></p> <p>When TE is set, the transmitter is enabled. When TE is cleared, the transmitter completes transmission of data in the SCI transmit data shift register, and then the serial output is forced high (that is, idle). Data present in the SCI transmit data register (STX) is not transmitted. STX can be written and TDRE cleared, but the data is not transferred into the shift register. TE does not inhibit TDRE or transmit interrupts. Either a hardware <math>\overline{\text{RESET}}</math> signal or a software RESET instruction clears TE.</p> <p>Setting TE causes the transmitter to send a preamble of 10 or 11 consecutive ones (depending on WDS), giving you a convenient way to ensure that the line goes idle before a new message starts. To force this separation of messages by the minimum idle line time, we recommend the following sequence:</p> <ol style="list-style-type: none"> <li>1. Write the last byte of the first message to STX.</li> <li>2. Wait for TDRE to go high, indicating the last byte has been transferred to the transmit shift register.</li> <li>3. Clear TE and set TE to queue an idle line preamble to follow immediately the transmission of the last character of the message (including the stop bit).</li> <li>4. Write the first byte of the second message to STX.</li> </ol> <p>If the first byte of the second message is not transferred to STX prior to the finish of the preamble transmission, the transmit data line remains idle until STX is finally written.</p>

Table 8-2. SCI Control Register (SCR) Bit Definitions (Continued)

Bit Number	Bit Name	Reset Value	Description
8	RE	0	<p><b>Receiver Enable</b></p> <p>When RE is set, the receiver is enabled. When RE is cleared, the receiver is disabled, and data transfer from the receive shift register to the receive data register (SRX) is inhibited. If RE is cleared while a character is being received, the reception of the character completes before the receiver is disabled. RE does not inhibit RDRF or receive interrupts. Either a hardware <math>\overline{\text{RESET}}</math> signal or a software RESET instruction clears RE.</p>
7	WOMS	0	<p><b>Wired-OR Mode Select</b></p> <p>When WOMS is set, the SCI TXD driver is programmed to function as an open-drain output and can be wired together with other TXD signals in an appropriate bus configuration, such as a master-slave multidrop configuration. An external pullup resistor is required on the bus. When WOMS is cleared, the TXD signal uses an active internal pullup. Either a hardware <math>\overline{\text{RESET}}</math> signal or a software RESET instruction clears WOMS.</p>
6	RWU	0	<p><b>Receiver Wakeup Enable</b></p> <p>When RWU is set and the SCI is in Asynchronous mode, the wakeup function is enabled; that is, the SCI is asleep and can be awakened by the event defined by the WAKE bit. In Sleep state, all interrupts and all receive flags except IDLE are disabled. When the receiver wakes up, RWU is cleared by the wakeup hardware. You can also clear the RWU bit to wake up the receiver. You can use RWU to ignore messages that are for other devices on a multidrop serial network. Wakeup on idle line (i. e., WAKE is cleared) or wakeup on address bit (i. e., WAKE is set) must be chosen. When WAKE is cleared and RWU is set, the receiver does not respond to data on the data line until an idle line is detected. When WAKE is set and RWU is set, the receiver does not respond to data on the data line until a data frame with Bit 9 set is detected.</p> <p>When the receiver wakes up, the RWU bit is cleared, and the first frame of data is received. If interrupts are enabled, the CPU is interrupted and the interrupt routine reads the message header to determine whether the message is intended for this DSP. If the message is for this DSP, the message is received, and RWU is set to wait for the next message. If the message is not for this DSP, the DSP immediately sets RWU. Setting RWU causes the DSP to ignore the remainder of the message and wait for the next message. Either a hardware <math>\overline{\text{RESET}}</math> signal or a software RESET instruction clears RWU. RWU is ignored in Synchronous mode.</p>
5	WAKE	0	<p><b>Wakeup Mode Select</b></p> <p>When WAKE is cleared, the wakeup on Idle Line mode is selected. In the wakeup on idle line mode, the SCI receiver is re-enabled by an idle string of at least 10 or 11 (depending on WDS mode) consecutive ones. The transmitter's software must provide this idle string between consecutive messages. The idle string cannot occur within a valid message because each word frame there contains a start bit that is 0.</p> <p>When WAKE is set, the wakeup on address bit mode is selected. In the wakeup on address bit mode, the SCI receiver is re-enabled when the last (eighth or ninth) data bit received in a character (frame) is 1. The ninth data bit is the address bit (R8) in the 11-bit multidrop mode; the eighth data bit is the address bit in the 10-bit asynchronous and 11-bit asynchronous with parity modes. Thus, the received character is an address that has to be processed by all sleeping processors—that is, each processor has to compare the received character with its own address and decide whether to receive or ignore all following characters.</p>

Table 8-2. SCI Control Register (SCR) Bit Definitions (Continued)

Bit Number	Bit Name	Reset Value	Description																																													
4	SBK	0	<p><b>Send Break</b> A break is an all-zero word frame—a start bit 0, characters of all zeros (including any parity), and a stop bit 0 (that is, ten or eleven zeros, depending on the mode selected). If SBK is set and then cleared, the transmitter finishes transmitting the current frame, sends 10 or 11 0s, and reverts to idle or sending data. If SBK remains set, the transmitter continually sends whole frames of 0s (10 or 11 bits with no stop bit). At the end of the break code, the transmitter sends at least one high (set) bit before transmitting any data to guarantee recognition of a valid start bit. Break can signal an unusual condition, message, and so on, by forcing a frame error; the frame error is caused by a missing stop bit.</p>																																													
3	SSFTD	0	<p><b>SCI Shift Direction</b> Determines the order in which the SCI data shift registers shift data in or out: MSB first when set, LSB first when cleared. The parity and data type bits do not change their position in the frame, and they remain adjacent to the stop bit.</p>																																													
2–0	WDS	0	<p><b>Word Select</b> Select the format of transmitted and received data. Asynchronous modes are compatible with most UART-type serial devices, and they support standard RS-232 communication links. Multidrop Asynchronous mode is compatible with the MC68681 DUART, the M68HC11 SCI interface, and the Intel 8051 serial interface. Synchronous data mode is essentially a high-speed shift register for I/O expansion and stream-mode channel interfaces. You can synchronize data by using a gated transmit and receive clock compatible with the Intel 8051 serial interface mode 0. When odd parity is selected, the transmitter counts the number of ones in the data word. If the total is not an odd number, the parity bit is set, thus producing an odd number. If the receiver counts an even number of ones, an error in transmission has occurred. When even parity is selected, an even number must result from the calculation performed at both ends of the line, or an error in transmission has occurred.</p> <table border="1"> <thead> <tr> <th>WDS2</th> <th>WDS1</th> <th>WDS0</th> <th>Mode</th> <th>Word Formats</th> </tr> </thead> <tbody> <tr> <td>0</td> <td>0</td> <td>0</td> <td>0</td> <td>8-Bit Synchronous Data (shift register mode)</td> </tr> <tr> <td>0</td> <td>0</td> <td>1</td> <td>1</td> <td>Reserved</td> </tr> <tr> <td>0</td> <td>1</td> <td>0</td> <td>2</td> <td>10-Bit Asynchronous (1 start, 8 data, 1 stop)</td> </tr> <tr> <td>1</td> <td>1</td> <td>1</td> <td>3</td> <td>Reserved</td> </tr> <tr> <td>1</td> <td>0</td> <td>0</td> <td>4</td> <td>11-Bit Asynchronous (1 start, 8 data, 1 even parity, 1 stop)</td> </tr> <tr> <td>1</td> <td>0</td> <td>1</td> <td>5</td> <td>11-Bit Asynchronous (1 start, 8 data, 1 odd parity, 1 stop)</td> </tr> <tr> <td>1</td> <td>1</td> <td>0</td> <td>6</td> <td>11-Bit Multidrop Asynchronous (1 start, 8 data, 1 data type, 1 stop)</td> </tr> <tr> <td>0</td> <td>1</td> <td>1</td> <td>7</td> <td>Reserved</td> </tr> </tbody> </table>	WDS2	WDS1	WDS0	Mode	Word Formats	0	0	0	0	8-Bit Synchronous Data (shift register mode)	0	0	1	1	Reserved	0	1	0	2	10-Bit Asynchronous (1 start, 8 data, 1 stop)	1	1	1	3	Reserved	1	0	0	4	11-Bit Asynchronous (1 start, 8 data, 1 even parity, 1 stop)	1	0	1	5	11-Bit Asynchronous (1 start, 8 data, 1 odd parity, 1 stop)	1	1	0	6	11-Bit Multidrop Asynchronous (1 start, 8 data, 1 data type, 1 stop)	0	1	1	7	Reserved
WDS2	WDS1	WDS0	Mode	Word Formats																																												
0	0	0	0	8-Bit Synchronous Data (shift register mode)																																												
0	0	1	1	Reserved																																												
0	1	0	2	10-Bit Asynchronous (1 start, 8 data, 1 stop)																																												
1	1	1	3	Reserved																																												
1	0	0	4	11-Bit Asynchronous (1 start, 8 data, 1 even parity, 1 stop)																																												
1	0	1	5	11-Bit Asynchronous (1 start, 8 data, 1 odd parity, 1 stop)																																												
1	1	0	6	11-Bit Multidrop Asynchronous (1 start, 8 data, 1 data type, 1 stop)																																												
0	1	1	7	Reserved																																												

## 8.6.2 SCI Status Register (SSR)

The SSR is a read-only register that indicates the status of the SCI.

23	22	21	20	19	18	17	16
15	14	13	12	11	10	9	8
7	6	5	4	3	2	1	0
R8	FE	PE	OR	IDLE	RDRF	TDRE	TRNE

—Reserved bit; read as 0; write to 0 for future compatibility.

**Table 8-3.** SCI Status Register

**Table 8-4.** SCI Status Register (SSR) Bit Definitions

Bit Number	Bit Name	Reset Value	Description
23–8		0	Reserved. Write to 0 for future compatibility.
7	R8	0	<b>Received Bit 8</b> In 11-bit Asynchronous Multidrop mode, the R8 bit indicates whether the received byte is an address or data. R8 is set for addresses and is cleared for data. R8 is not affected by reads of the SRX or SCI status register. A hardware $\overline{\text{RESET}}$ signal, a software RESET instruction, an SCI individual reset, or a STOP instruction clears R8.
6	FE	0	<b>Framing Error Flag</b> In Asynchronous mode, FE is set when no stop bit is detected in the data string received. FE and RDRE are set simultaneously when the received word is transferred to the SRX. However, the FE flag inhibits further transfer of data into the SRX until it is cleared. FE is cleared when the SCI status register is read followed by a read of the SRX. A hardware $\overline{\text{RESET}}$ signal, a software RESET instruction, an SCI individual reset, or a STOP instruction clears FE. In 8-bit Synchronous mode, FE is always cleared. If the byte received causes both framing and overrun errors, the SCI receiver recognizes only the overrun error.
5	PE	0	<b>Parity Error</b> In 11-bit Asynchronous modes, PE is set when an incorrect parity bit is detected in the received character. PE and RDRF are set simultaneously when the received word is transferred to the SRX. If PE is set, further data transfer into the SRX is not inhibited. PE is cleared when the SCI status register is read, followed by a read of SRX. A hardware $\overline{\text{RESET}}$ signal, a software RESET instruction, an SCI individual reset, or a STOP instruction also clears PE. In 10-bit Asynchronous mode, 11-bit multidrop mode, and 8-bit Synchronous mode, the PE bit is always cleared since there is no parity bit in these modes. If the byte received causes both parity and overrun errors, the SCI receiver recognizes only the overrun error.

**Table 8-4. SCI Status Register (SSR) Bit Definitions (Continued)**

Bit Number	Bit Name	Reset Value	Description
4	OR	0	<p><b>Overrun Error Flag</b> Set when a byte is ready to be transferred from the receive shift register to the receive data register (SRX) that is already full (RDRF = 1). The receive shift register data is not transferred to the SRX. The OR flag indicates that character(s) in the received data stream may have been lost. The only valid data is located in the SRX. OR is cleared when the SCI status register is read, followed by a read of SRX. The OR bit clears the FE and PE bits; that is, overrun error has higher priority than FE or PE. A hardware <math>\overline{\text{RESET}}</math> signal, a software RESET instruction, an SCI individual reset, or a STOP instruction clears OR.</p>
3	IDLE	0	<p><b>Idle Line Flag</b> Set when 10 (or 11) consecutive ones are received. IDLE is cleared by a start-bit detection. The IDLE status bit represents the status of the receive line. The transition of IDLE from 0 to 1 can cause an IDLE interrupt (ILIE).</p>
2	RDRF	0	<p><b>Receive Data Register Full</b> Set when a valid character is transferred to the SCI receive data register from the SCI receive shift register (regardless of the error bits condition). RDRF is cleared when the SCI receive data register is read.</p>
1	TDRE	1	<p><b>Transmit Data Register Empty</b> Set when the SCI transmit data register is empty. When TDRE is set, new data can be written to one of the SCI transmit data registers (STX) or the transmit data address register (STXA). TDRE is cleared when the SCI transmit data register is written. Either a hardware <math>\overline{\text{RESET}}</math> signal, a software RESET instruction, an SCI individual reset, or a STOP instruction sets TDRE.</p> <p>In Synchronous mode, when the internal SCI clock is in use, there is a delay of up to 5.5 serial clock cycles between the time that STX is written until TDRE is set, indicating the data has been transferred from the STX to the transmit shift register. There is a delay of 2 to 4 serial clock cycles between writing STX and loading the transmit shift register; in addition, TDRE is set in the middle of transmitting the second bit. When using an external serial transmit clock, if the clock stops, the SCI transmitter stops. TDRE is not set until the middle of the second bit transmitted after the external clock starts. Gating the external clock off after the first bit has been transmitted delays TDRE indefinitely.</p> <p>In Asynchronous mode, the TDRE flag is not set immediately after a word is transferred from the STX or STXA to the transmit shift register nor when the word first begins to be shifted out. TDRE is set 2 cycles (of the <math>16 \times \text{clock}</math>) after the start bit; that is, 2 (<math>16 \times \text{clock}</math>) cycles into the transmission time of the first data bit.</p>
0	TRNE	1	<p><b>Transmitter Empty</b> This flag bit is set when both the transmit shift register and transmit data register (STX) are empty, indicating that there is no data in the transmitter. When TRNE is set, data written to one of the three STX locations or to the transmit data address register (STXA) is transferred to the transmit shift register and is the first data transmitted. TRNE is cleared when a write into STX or STXA clears TDRE or when an idle, preamble, or break is transmitted. When set, TRNE indicates that the transmitter is empty; therefore, the data written to STX or STXA is transmitted next. That is, there is no word in the transmit shift register being transmitted. This procedure is useful when initiating the transfer of a message (that is, a string of characters).</p>



### 8.6.3 SCI Clock Control Register (SCCR)

The SCCR is a read/write register that controls the selection of clock modes and baud rates for the transmit and receive sections of the SCI interface. The SCCR is cleared by a hardware  $\overline{\text{RESET}}$  signal.

23	22	21	20	19	18	17	16
15	14	13	12	11	10	9	8
TCM	RCM	SCP	COD	CD11	CD10	CD9	CD8
7	6	5	4	3	2	1	0
CD7	CD6	CD5	CD4	CD3	CD2	CD1	CD0
Reserved. Read as 0. Write to 0 for future compatibility.							

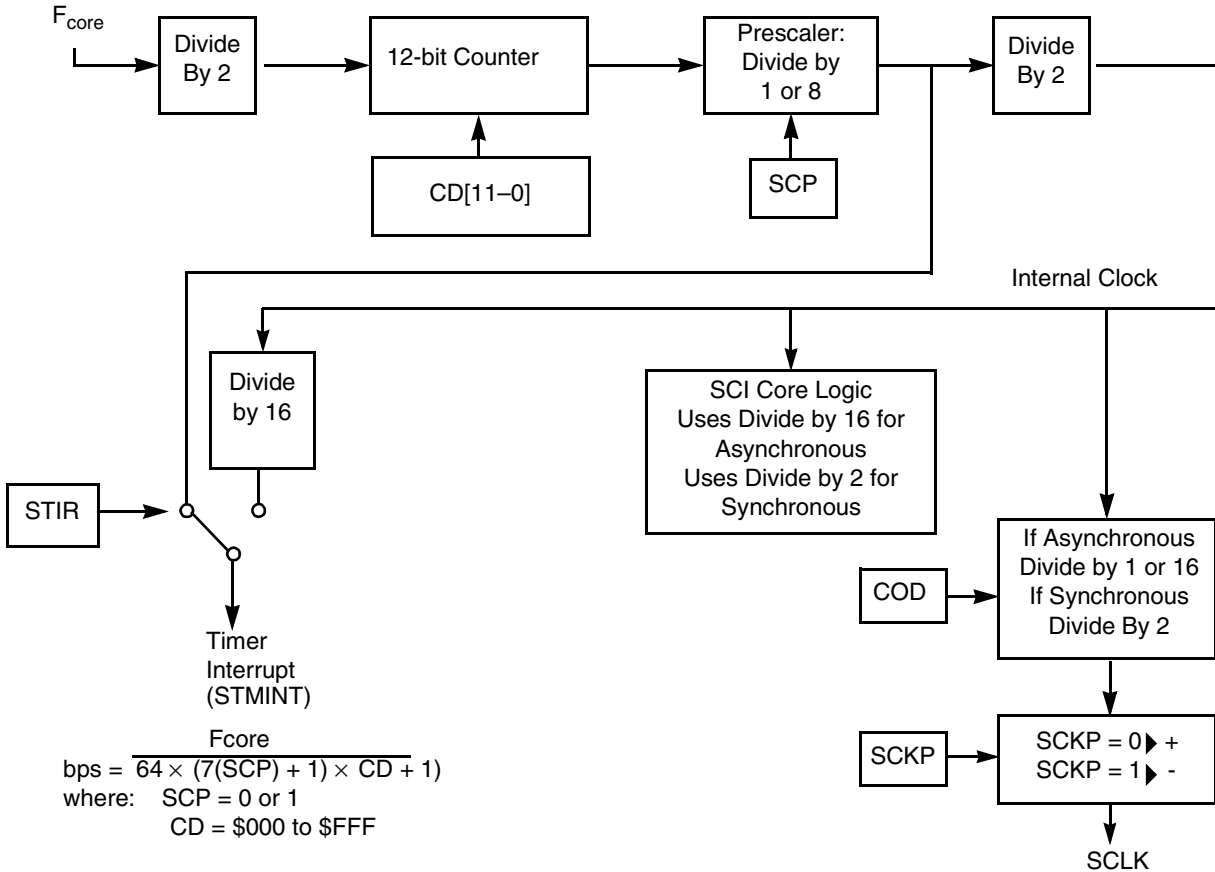
**Figure 8-4.** SCI Clock Control Register (SCCR)

**Table 8-5.** SCI Clock Control Register (SCCR) Bit Definitions

Bit Number	Bit Name	Reset Value	Description																														
23–16		0	Reserved. Write to 0 for future compatibility.																														
15	TCM	0	<b>Transmit Clock Source</b> Selects whether an internal or external clock is used for the transmitter. If TCM is cleared, the internal clock is used. If TCM is set, the external clock (from the SCLK signal) is used.																														
14	RCM	0	<b>Receive Clock Mode Source</b> Selects whether an internal or external clock is used for the receiver. If RCM is cleared, the internal clock is used. If RCM is set, the external clock (from the SCLK signal) is used.																														
			<table border="1"> <thead> <tr> <th>TCM</th><th>RCM</th><th>TX Clock</th><th>RX Clock</th><th>SCLK</th><th>Mode</th></tr> </thead> <tbody> <tr> <td>0</td><td>0</td><td>Internal</td><td>Internal</td><td>Output</td><td>Synchronous/asynchronous</td></tr> <tr> <td>0</td><td>1</td><td>Internal</td><td>External</td><td>Input</td><td>Asynchronous only</td></tr> <tr> <td>1</td><td>0</td><td>External</td><td>Internal</td><td>Input</td><td>Asynchronous only</td></tr> <tr> <td>1</td><td>1</td><td>External</td><td>External</td><td>Input</td><td>Synchronous/asynchronous</td></tr> </tbody> </table>	TCM	RCM	TX Clock	RX Clock	SCLK	Mode	0	0	Internal	Internal	Output	Synchronous/asynchronous	0	1	Internal	External	Input	Asynchronous only	1	0	External	Internal	Input	Asynchronous only	1	1	External	External	Input	Synchronous/asynchronous
			TCM	RCM	TX Clock	RX Clock	SCLK	Mode																									
			0	0	Internal	Internal	Output	Synchronous/asynchronous																									
			0	1	Internal	External	Input	Asynchronous only																									
1	0	External	Internal	Input	Asynchronous only																												
1	1	External	External	Input	Synchronous/asynchronous																												
0	0	Internal	Internal	Output	Synchronous/asynchronous																												
0	1	Internal	External	Input	Asynchronous only																												
1	0	External	Internal	Input	Asynchronous only																												
13	SCP	0	<b>Clock Prescaler</b> Selects a divide by 1 (SCP is cleared) or divide by 8 (SCP is set) prescaler for the clock divider. The output of the prescaler is further divided by 2 to form the SCI clock.																														
12	COD	0	<b>Clock Out Divider</b> The clock output divider is controlled by COD and the SCI mode. If the SCI mode is synchronous, the output divider is fixed at divide by 2. If the SCI mode is asynchronous, either: <ul style="list-style-type: none"> <li>If COD is cleared and SCLK is an output (that is, TCM and RCM are both cleared), then the SCI clock is divided by 16 before being output to the SCLK signal. Thus, the SCLK output is a <math>1 \times</math> clock.</li> <li>If COD is set and SCLK is an output, the SCI clock is fed directly out to the SCLK signal. Thus, the SCLK output is a <math>16 \times</math> baud clock.</li> </ul>																														
11–0	CD[11–0]	0	<b>Clock Divider</b> Specifies the divide ratio of the prescale divider in the SCI clock generator. A divide ratio from 1 to 4096 (CD[11–0] = \$000 to \$FFF) can be selected.																														

The SCI clock determines the data transmission (baud) rate and can also establish a periodic interrupt that can act as an event timer or be used in any other timing function. Bits CD11– CD0, SCP, and SCR[STIR] work together to determine the time base. If SCR[TMIE] = 1 when the periodic time-out occurs, the SCI timer interrupt is recognized and pending. The SCI timer interrupt is automatically cleared when the interrupt is serviced. This interrupt occurs every time the periodic timer times out.

**Figure 8-5** shows the block diagram of the internal clock generation circuitry with the formula to compute the bit rate when the internal clock is used.



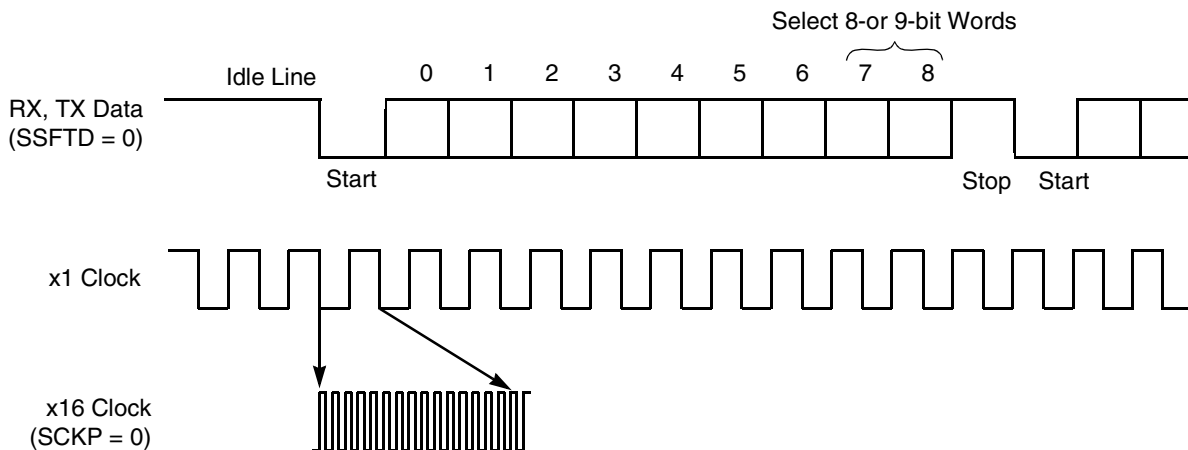
**Figure 8-5.** SCI Baud Rate Generator

As noted in **Section 8.6.1**, the SCI can be configured to operate in a single Synchronous mode or one of five Asynchronous modes. Synchronous mode requires that the TX and RX clocks use the same source, but that source may be the internal SCI clock if the SCI is configured as a master device or an external clock if the SCI is configured as a slave device. Asynchronous modes may use clocks from the same source (internal or external) or different sources for the TX clock and the RX clock.

For synchronous operation, the SCI uses a clock that is equal to the two times the desired bit rate (designated as the 2 × clock) for both internal and external clock sources. It must use the same source for both the TX and RX clock. The internal clock is used if the SCI is the master device

and the external clock is used if the SCI is the slave device, as noted above. The clock is gated and limited to a maximum frequency equal to one eighth of the DSP core operating frequency (that is, 12.5 MHz for a DSP core frequency of 100 MHz).

For asynchronous operation, the SCI can use the internal and external clocks in any combination as the source clocks for the TX clock and RX clock. If an external clock is used for the SCLK input, it must be sixteen times the desired bit rate (designated as the  $16 \times$  clock), as indicated in **Figure 8-6**. When the internal clock is used to supply a clock to an external device, the clock can use the actual bit rate (designated as the  $1 \times$  clock) or the  $16 \times$  clock rate, as determined by the COD bit. The output clock is continuous.

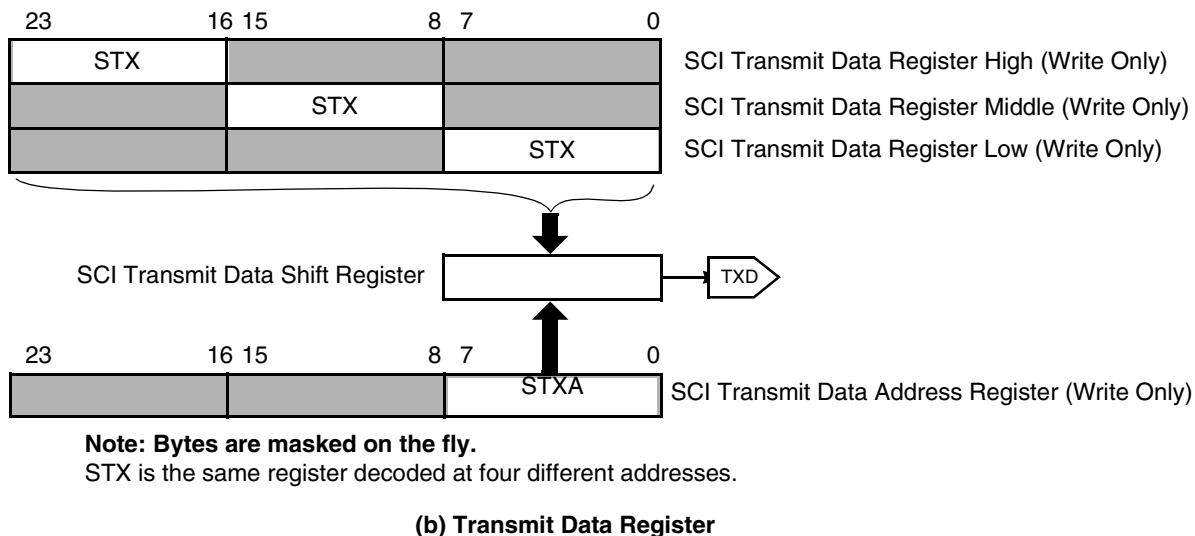
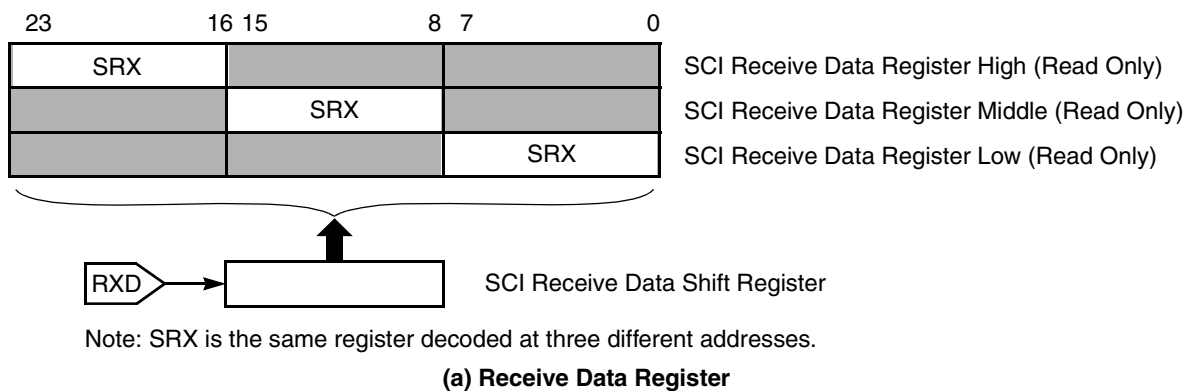


**Figure 8-6.** 16 x Serial Clock

When SCKP is cleared, the transmitted data on the TXD signal changes on the negative edge of the serial clock and is stable on the positive edge. When SCKP is set, the data changes on the positive edge and is stable on the negative edge. The received data on the RXD signal is sampled on the positive edge (if SCKP = 0) or on the negative edge (if SCKP = 1) of the serial clock.

#### 8.6.4 SCI Data Registers

The SCI data registers are divided into two groups: receive and transmit, as shown in **Figure 8-7**. There are two receive registers: a Receive Data Register (SRX) and a serial-to-parallel Receive Shift Register. There are also two transmit registers: a Transmit Data Register (called either STX or STXA) and a parallel-to-serial Transmit Shift Register.



**Figure 8-7.** SCI Programming Model—Data Registers

### 8.6.4.1 SCI Receive Register (SRX)

Data bits received on the RXD signal are shifted into the SCI receive shift register. When a complete word is received, the data portion of the word is transferred to the byte-wide SRX. This process converts serial data to parallel data and provides double buffering. Double buffering promotes flexibility and increased throughput since the programmer can save (and process) the previous word while the current word is being received.

The SRX can be read at three locations as SRXL, SRXM, and SRXH. When SRXL is read, the contents of the SRX are placed in the lower byte of the data bus and the remaining bits on the data bus are read as zeros. Similarly, when SRXM is read, the contents of SRX are placed into the middle byte of the bus, and when SRXH is read, the contents of SRX are placed into the high byte with the remaining bits are read as 0s. This way of mapping SRX efficiently packs three bytes into one 24-bit word by ORing three data bytes read from the three addresses.

The SCR WDS0, WDS1, and WDS2 control bits define the length and format of the serial word. The SCR receive clock mode (RCM) defines the clock source.

In Asynchronous mode, the start bit, the eight data bits, the address/data indicator bit or the parity bit, and the stop bit are received, respectively. Data bits are sent LSB first if SSFTD is cleared, and MSB first if SSFTD is set. In Synchronous mode, a gated clock provides synchronization. In either Synchronous or Asynchronous mode, when a complete word is clocked in, the contents of the shift register can be transferred to the SRX and the flags; RDRF, FE, PE, and OR are changed appropriately. Because the operation of the receive shift register is transparent to the DSP, the contents of this register are not directly accessible to the programmer.

#### 8.6.4.2 SCI Transmit Register (STX)

The transmit data register is a one-byte-wide register mapped into four addresses as STXL, STXM, STXH, and STXA. In Asynchronous mode, when data is to be transmitted, STXL, STXM, and STXH are used. When STXL is written, the low byte on the data bus is transferred to the STX. When STXM is written, the middle byte is transferred to the STX. When STXH is written, the high byte is transferred to the STX. This structure makes it easy for the programmer to unpack the bytes in a 24-bit word for transmission. TDXA should be written in 11-bit asynchronous multidrop mode when the data is an address and the programmer wants to set the ninth bit (the address bit). When STXA is written, the data from the low byte on the data bus is stored in it. The address data bit is cleared in 11-bit asynchronous multidrop mode when any of STXL, STXM, or STXH is written. When either STX (STXL, STXM, or STXH) or STXA is written, TDRE is cleared.

The transfer from either STX or STXA to the transmit shift register occurs automatically, but not immediately, after the last bit from the previous word is shifted out; that is, the transmit shift register is empty. Like the receiver, the transmitter is double-buffered. However, a delay of two to four serial clock cycles occurs between when the data is transferred from either STX or STXA to the transmit shift register and when the first bit appears on the TXD signal. (A serial clock cycle is the time required to transmit one data bit.)

The transmit shift register is not directly addressable, and there is no dedicated flag for this register. Because of this fact and the two- to four-cycle delay, two bytes cannot be written consecutively to STX or STXA without polling, because the second byte might overwrite the first byte. Thus, you should always poll the TDRE flag prior to writing STX or STXA to prevent overruns unless transmit interrupts are enabled. Either STX or STXA is usually written as part of the interrupt service routine. An interrupt is generated only if TDRE is set. The transmit shift register is indirectly visible via the SSR[TRNE] bit.

In Synchronous mode, data is synchronized with the transmit clock. That clock can have either an internal or external source, as defined by the TCM bit in the SCCR. The length and format of the serial word is defined by the WDS0, WDS1, and WDS2 control bits in the SCR. In Asynchronous mode, the start bit, the eight data bits (with the LSB first if SSFTD = 0 and the MSB first if SSFTD = 1), the address/data indicator bit or parity bit, and the stop bit are transmitted in that order. The data to be transmitted can be written to any one of the three STX

addresses. If SCKP is set and SSHTD is set, SCI Synchronous mode is equivalent to the SSI operation in 8-bit data on-demand mode.

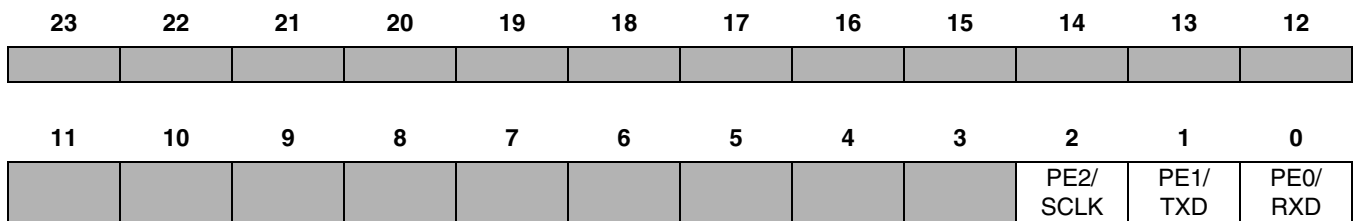
**Note:** When data is written to a peripheral device, there is a two-cycle pipeline delay until any status bits affected by this operation are updated. If you read any of those status bits within the next two cycles, the bit does not reflect its current status. For details see the *DSP56300 Family Manual*.

## 8.7 GPIO Signals and Registers


Three registers control the GPIO functionality of the SCI pins: Port E control register (PCRE), Port E direction register (PRRE) and Port E data register (PDRE).

### 8.7.1 Port E Control Register (PCRE)

The read/write PCRE controls the functionality of SCI GPIO signals. Each of the PCRE[2–0] bits controls the functionality of the corresponding port signal. When a PCRE[i] bit is set, the corresponding port signal is configured as an SCI signal. When a PC[i] bit is cleared, the corresponding port signal is configured as a GPIO signal. A hardware  $\overline{\text{RESET}}$  signal or a software RESET instruction clears all PCRE bits.



**Note:** For bits 2–0, a 0 selects PEn as the signal and a 1 selects the specified SCI signal.

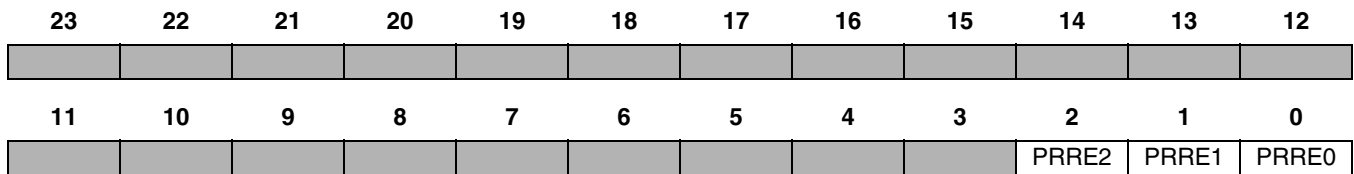
 = Reserved. Read as zero. Write to zero for future compatibility.

**Figure 8-8.** Port E Control Register (PCRE X:\$FFFF9F)


### 8.7.2 Port E Direction Register (PRRE)

The read/write PRRE controls the direction of SCI GPIO signals. When port signal[i] is configured as GPIO, PRRE[i] controls the port signal direction. When PRRE[i] is set, the GPIO port signal[i] is configured as output. When PRRE[i] is cleared, the GPIO port signal[i] is

configured as input. A hardware  $\overline{\text{RESET}}$  signal or a software RESET instruction clears all PRRE bits.



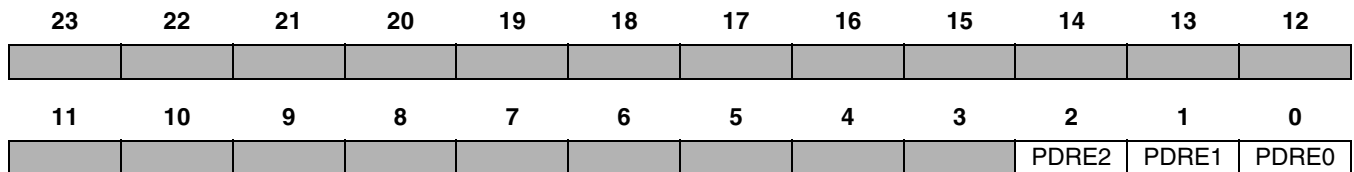
**Note:** For bits 2–0, a 0 configures PEn as a GPI and a 1 configures PEn as a GPO. For the SCI, the GPIO signals are PE[2–0]. The corresponding direction bits for Port E GPIOs are PRRE[2–0].

 = Reserved. Read as zero. Write with zero for future compatibility.


**Figure 8-9.** Port E Direction Register (PRRE X:\$FFFF9E)

### 8.7.3 Port E Data Register (PDRE)

Bits 2–0 of the read/write 24-bit PDRE writes data to or reads data from the associated SCI signal lines when configured as GPIO signals. If a port signal PE[i] is configured as an input (GPI), the corresponding PDRE[i] bit reflects the value present on the input signal line. If a port signal PE[i] is configured as an output (GPO), a value written to the corresponding PDRE[i] bit is reflected as a value on the output signal line. Either a hardware  $\overline{\text{RESET}}$  signal or a software RESET instruction clears all PDR bits.



**Note:** For bits 2–0, the value represents the level that is written to or read from the associated signal line if enabled as a GPIO signal by the PCRE bits. For SCI, the GPIO signals are PE[2–0]. The corresponding data bits are PDRE[2–0].

 = Reserved. Read as zero. Write with zero for future compatibility.

**Figure 8-10.** Port Data Registers (PDRE X:\$FFFF9D)





# Triple Timer Module

The timers in the DSP56309 internal triple timer module act as timed pulse generators or as pulse-width modulators. Each timer has a single signal that can function as a GPIO signal or as a timer signal. Each timer can also function as an event counter to capture an event or to measure the width or period of a signal.

## 9.1 Overview

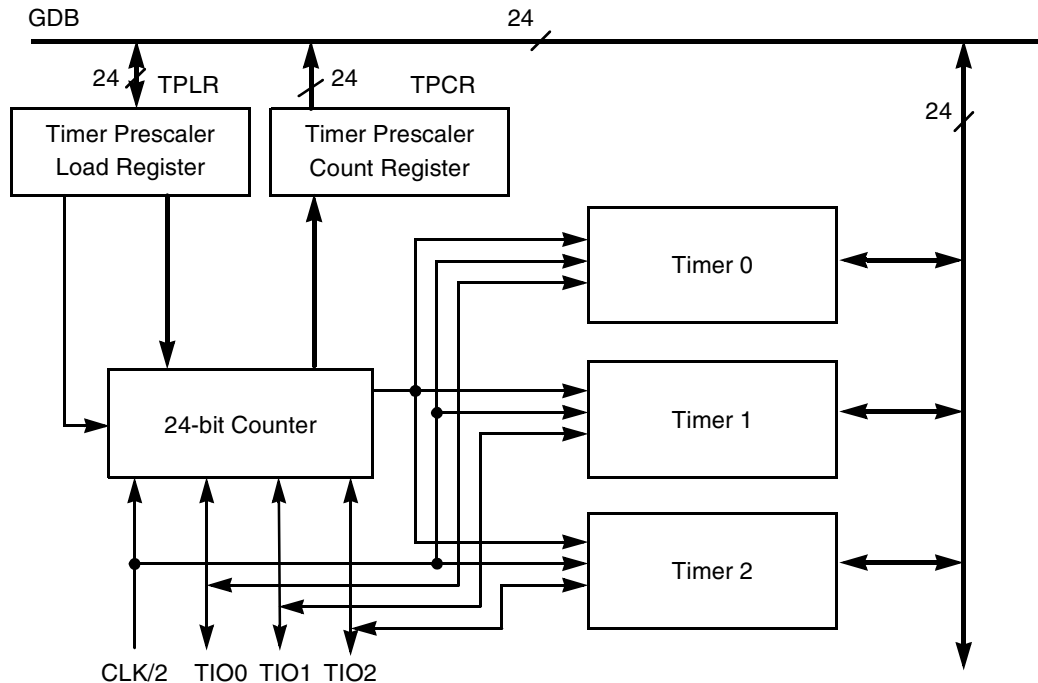
The timer module contains a common 21-bit prescaler and three independent and identical general-purpose 24-bit timer/event counters, each with its own register set. Each timer has the following capabilities:

- Uses internal or external clocking
- Interrupts the DSP56309 after a specified number of events (clocks) or signals an external device after counting internal events
- Triggers DMA transfers after a specified number of events (clocks) occurs
- Connects to the external world through one bidirectional signal, designated TIO[0–2] for timers 0–2.

When TIO is configured as an input, the timer functions as an external event counter or measures external pulse width/signal period. When TIO is configured as an output, the timer functions as a timer, a watchdog timer, or a pulse-width modulator. When the timer does not use TIO, it can be used as a GPIO signal (also called TIO[0–2]).

### 9.1.1 Triple Timer Module Block Diagram

**Figure 9-1** shows a block diagram of the triple timer module. This module includes a 24-bit Timer Prescaler Load Register (TPLR), a 24-bit Timer Prescaler Count Register (TPCR), and three timers. Each timer can use the prescaler clock as its clock source.



**Figure 9-1.** Triple Timer Module Block Diagram

### 9.1.2 Individual Timer Block Diagram

**Figure 9-2** shows the structure of an individual timer block. The DSP56309 treats each timer as a memory-mapped peripheral with four registers occupying four 24-bit words in the X data memory space. The three timers are identical in structure and function. Either standard polled or interrupt programming techniques can be used to service the timers. A single, generic timer is discussed in this chapter. Each timer includes the following:

- 24-bit counter
- 24-bit read/write Timer Control and Status Register (TCSR)
- 24-bit read-only Timer Count Register (TCR)
- 24-bit write-only Timer Load Register (TLR)
- 24-bit read/write Timer Compare Register (TCPR)
- Logic for clock selection and interrupt/DMA trigger generation.

The timer mode is controlled by the TC[3–0] bits which are TCSR[7–4]. For a listing of the timer modes and descriptions of their operations, see **Section 9.3, Operating Modes**, on page 9-5.

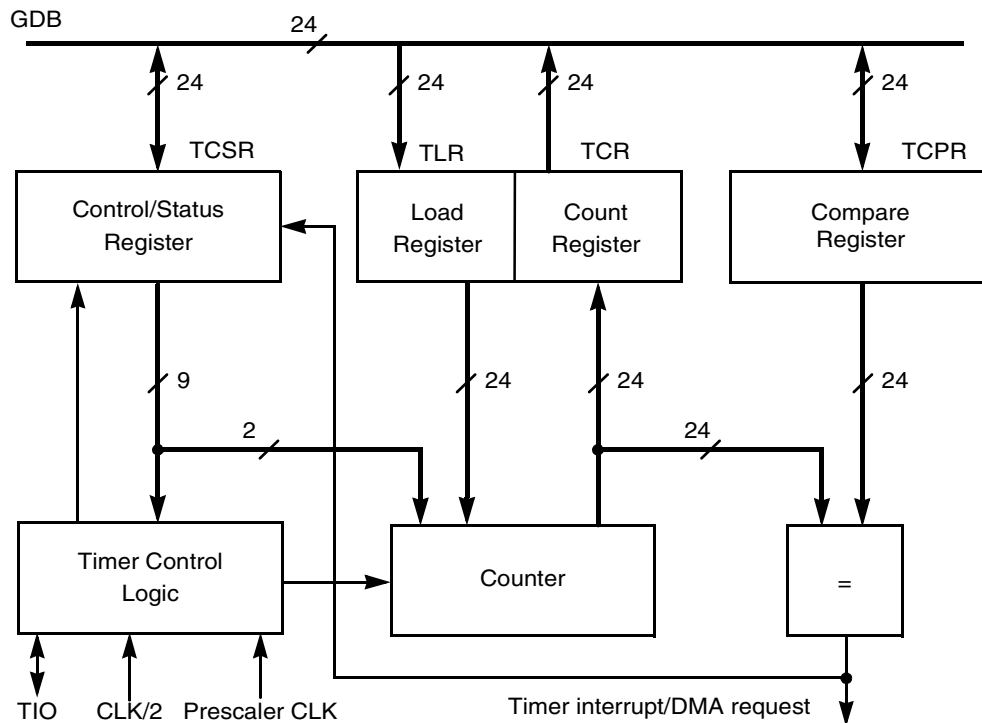


Figure 9-2. Timer Module Block Diagram

## 9.2 Operation

This section discusses the following timer basics:

- Reset
- Initialization
- Exceptions

### 9.2.1 Timer After Reset

A hardware  $\overline{\text{RESET}}$  signal or software **reset** instruction clears the Timer Control and Status Register for each timer, thus configuring each timer as a GPIO. A timer is active only if the timer enable bit 0 (TCSR[TE]) in the specific timer TCSR is set.

### 9.2.2 Timer Initialization

To initialize a timer, do the following:

1. Ensure that the timer is not active either by sending a reset or clearing the TCSR[TE] bit.
2. Configure the control register (TCSR) to set the timer operating mode. Set the interrupt enable bits as needed for the application.

3. Configure other registers: Timer Prescaler Load Register (TPLR), Timer Load Register (TLR), and Timer Compare Register (TCPR) as needed for the application.
4. Enable the timer by setting the TCSR[TE] bit.

### 9.2.3 Timer Exceptions

Each timer can generate two different exceptions:

- **Timer Overflow (highest priority)** — Occurs when the timer counter reaches the overflow value. This exception sets the TOF bit. TOF is cleared when a value of one is written to it or when the timer overflow exception is serviced.
- **Timer Compare (lowest priority)** — Occurs when the timer counter reaches the value given in the Timer Compare Register (TCPR) for all modes except measurement modes. In measurement modes 4–6, a compare exception occurs when the appropriate transition occurs on the  $\pi$ O signal. The Compare exception sets the TCF bit. TCF is cleared when a value of one is written to it or when the timer compare interrupt is serviced.

To configure a timer exception, perform the following steps. The example at the right of each step shows the register settings for configuring a Timer 0 compare interrupt. The order of the steps is optional except that the timer should not be enabled (step 2e) until all other exception configuration is complete:

1. Configure the interrupt service routine (ISR):
  - a. Load vector base address register VBA (b23–8)
  - b. Define I\_VEC to be equal to the VBA value (if that is nonzero). If it is defined, I\_VEC must be defined for the assembler before the interrupt equate file is included.
  - c. Load the exception vector table entry: two-word fast interrupt, or jump/branch to subroutine (long interrupt). p:TIM0C
2. Configure the interrupt trigger:
  - a. Enable and prioritize overall peripheral interrupt functionality. IPRP (TOL[1–0])
  - b. Enable a specific peripheral interrupt. TCSR0 (TCIE)
  - c. Unmask interrupts at the global level. SR (I[1–0])
  - d. Configure a peripheral interrupt-generating function. TCSR0 (TC[7–4])
  - e. Enable peripheral and associated signals. TCSR0 (TE)

## 9.3 Operating Modes

Each timer has operating modes that meet a variety of system requirements, as follows:

- Timer
  - GPIO, mode 0: Internal timer interrupt generated by the internal clock
  - Pulse, mode 1: External timer pulse generated by the internal clock
  - Toggle, mode 2: Output timing signal toggled by the internal clock
  - Event counter, mode 3: Internal timer interrupt generated by an external clock
- Measurement
  - Input width, mode 4: Input pulse width measurement
  - Input period, mode 5: Input signal period measurement
  - Capture, mode 6: Capture external signal
- PWM, mode 7: Pulse width modulation
- Watchdog
  - Pulse, mode 9: Output pulse, internal clock
  - Toggle, mode 10: Output toggle, internal clock

**Note:** To ensure proper operation, the TCSR TC[3–0] bits should be changed only when the timer is disabled (that is, when TCSR[TE] is cleared).

### 9.3.1 Triple Timer Modes

For all triple timer modes, the following points are true:

- The TCSR[TE] bit is set to clear the counter and enable the timer. Clearing TCSR[TE] disables the timer.
- The value to which the timer is to count is loaded into the TCPR. (This is true for all modes except the measurement modes (modes 4 through 6).)
- The counter is loaded with the TLR value on the first clock.
- If the counter overflows, TCSR[TOF] is set, and if TCSR[TOIE] is set, an overflow interrupt is generated.
- You can read the counter contents at any time from the Timer Count Register (TCR).

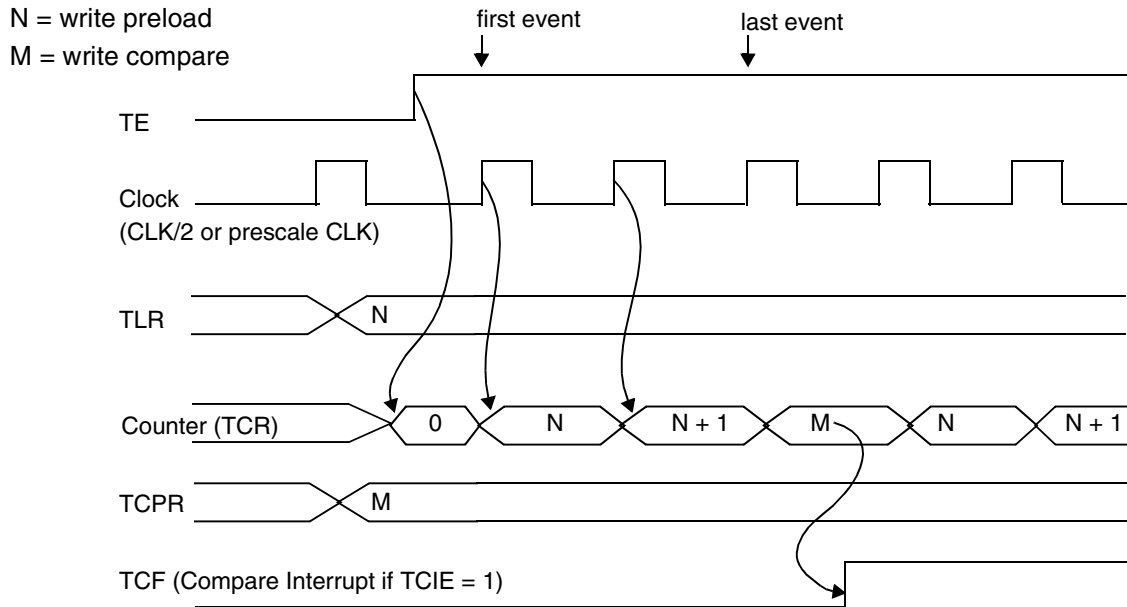
#### 9.3.1.1 Timer GPIO (Mode 0)

Bit Settings				Mode Characteristics				
TC3	TC2	TC1	TC0	Mode	Name	Function	TIO	Clock
0	0	0	0	0	GPIO	Timer	GPIO	Internal

In Mode 0, the timer generates an internal interrupt when a counter value is reached, if the timer compare interrupt is enabled (see **Figure 9-3** and **Figure 9-4**). When the counter equals the TCPR value, TCSR[TCF] is set and a compare interrupt is generated if the TCSR[TCIE] bit is

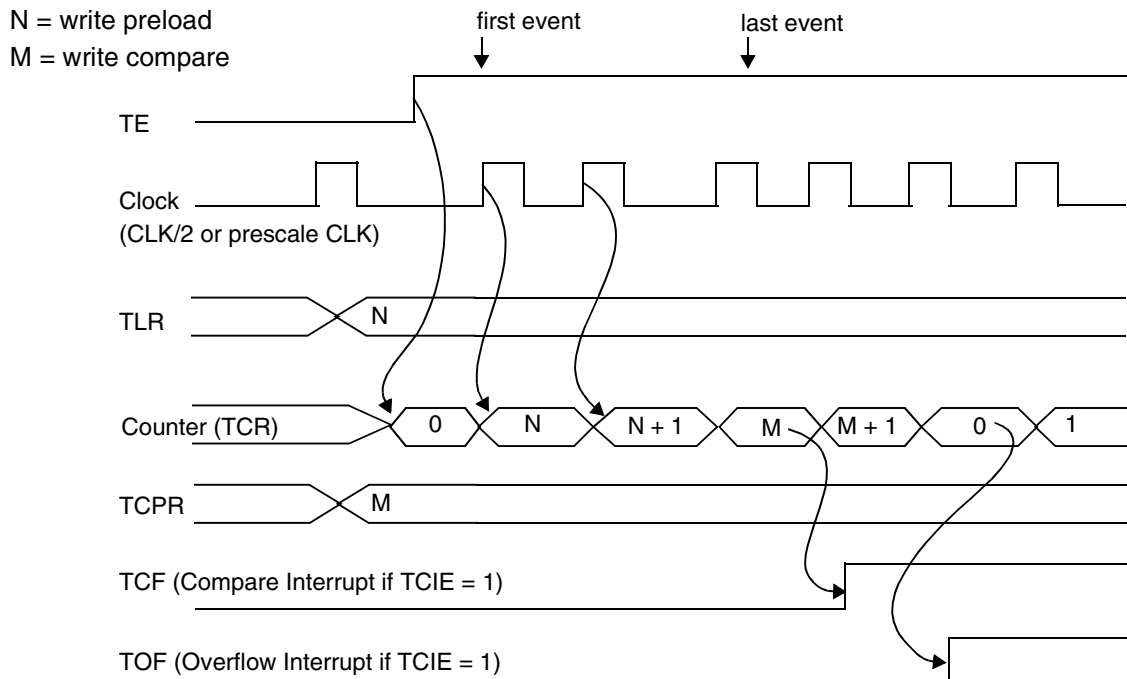
set. If the TCSR[TRM] bit is set, the counter is reloaded with the TLR value at the next timer clock and the count is resumed. If TCSR[TRM] is cleared, the counter continues to increment on each timer clock signal. This process repeats until the timer is disabled.

**Mode 0 (internal clock, no timer output): TRM = 1**



**Figure 9-3. Timer Mode (TRM = 1)**

**Mode 0 (internal clock, no timer output): TRM = 0**



**Figure 9-4. Timer Mode (TRM = 0)**

### 9.3.1.2 Timer Pulse (Mode 1)

Bit Settings				Mode Characteristics				
TC3	TC2	TC1	TC0	Mode	Name	Function	TIO	Clock
0	0	0	1	1	Timer Pulse	Timer	Output	Internal

In Mode 1, the timer generates an external pulse on its TIO signal when the timer count reaches a pre-set value. The TIO signal is loaded with the value of the TCSR[INV] bit. When the counter matches the TCPR value, TCSR[TCF] is set and a compare interrupt is generated if the TCSR[TCIE] bit is set. The polarity of the TIO signal is inverted for one timer clock period. If TCSR[TRM] is set, the counter is loaded with the TLR value on the next timer clock and the count is resumed. If TCSR[TRM] is cleared, the counter continues to increment on each timer clock. This process repeats until TCSR[TE] is cleared (disabling the timer).

The TLR value in the TCPR sets the delay between starting the timer and generating the output pulse. To generate successive output pulses with a delay of  $X$  clock cycles between signals, set the TLR value to  $X/2$  and set the TCSR[TRM] bit. This process repeats until the timer is disabled.

#### Mode 1 (internal clock): TRM = 1

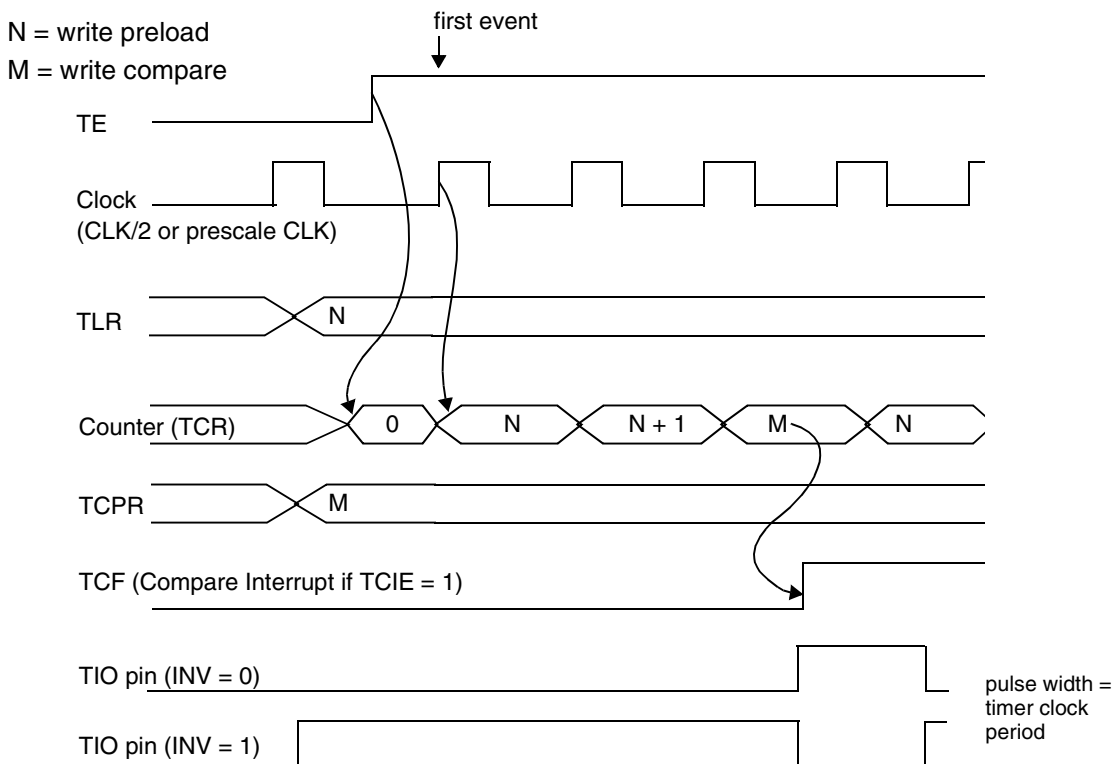
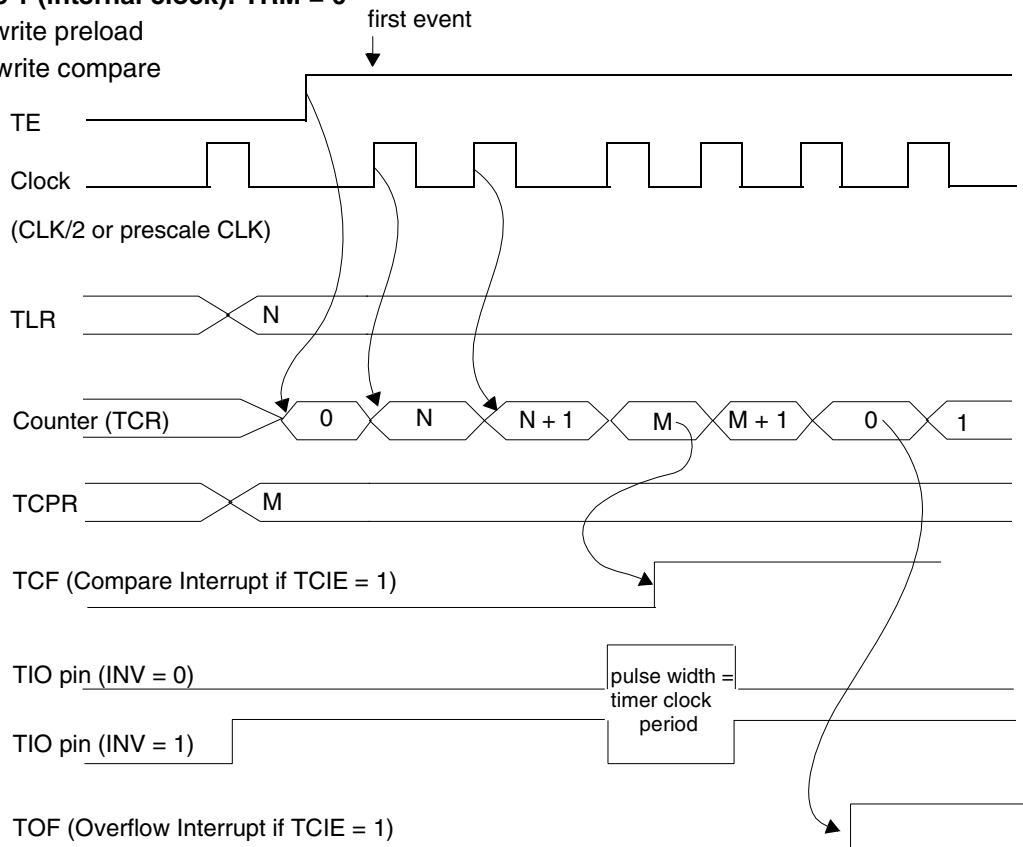


Figure 9-5. Pulse Mode (TRM = 1)

**Mode 1 (internal clock): TRM = 0**

N = write preload

M = write compare



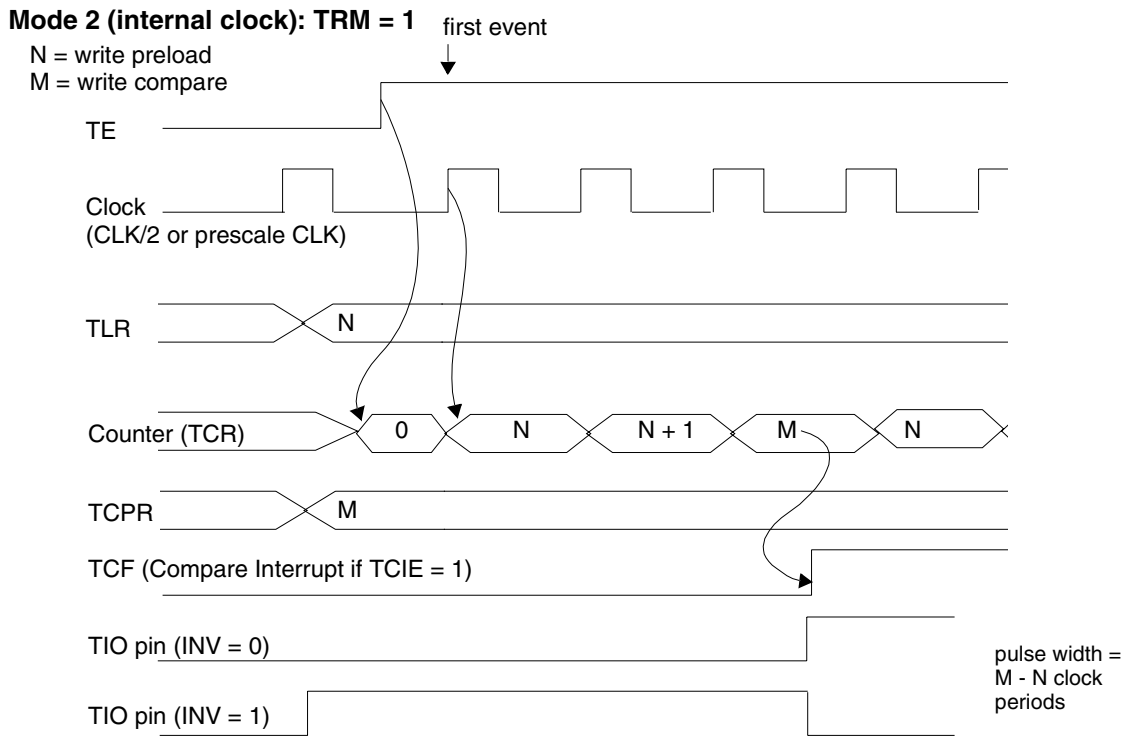
**Figure 9-6.** Pulse Mode (TRM = 0)

**9.3.1.3 Timer Toggle (Mode 2)**

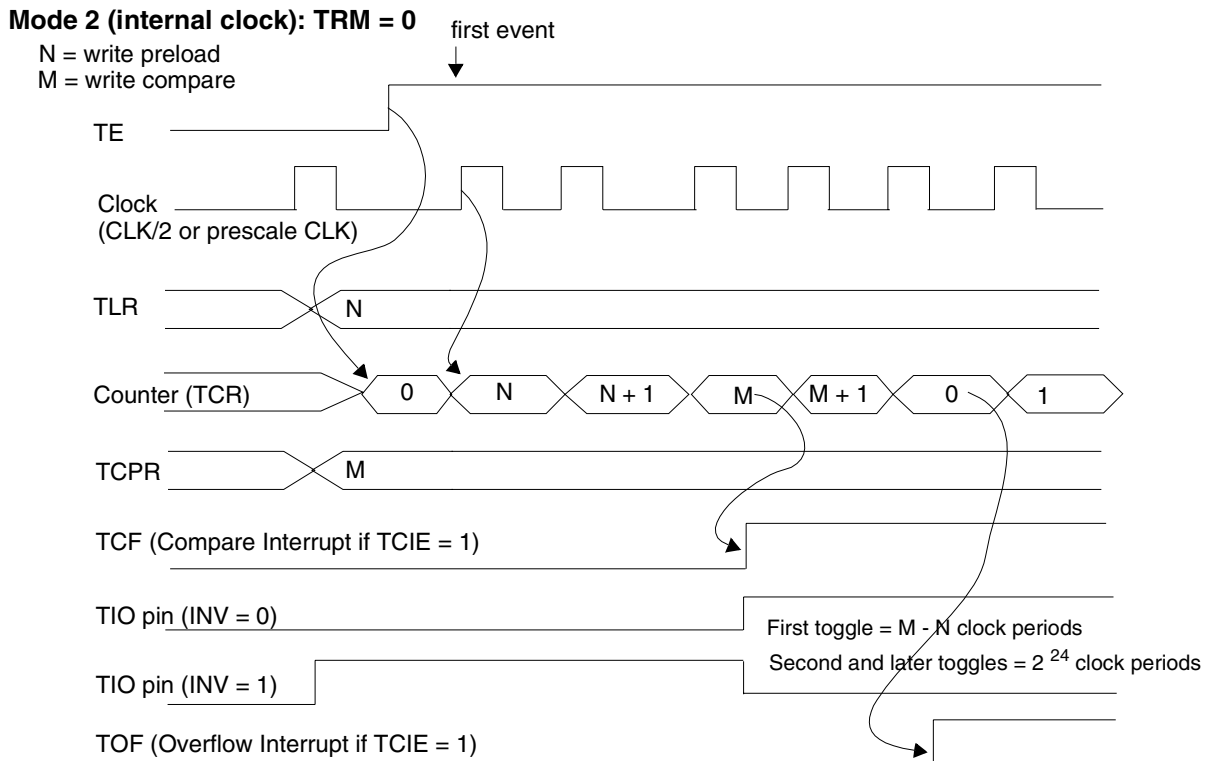
Bit Settings				Mode Characteristics				
TC3	TC2	TC1	TC0	Mode	Name	Function	TIO	Clock
0	0	1	0	2	Toggle	Timer	Output	Internal

In Mode 2, the timer periodically toggles the polarity of the TIO signal. When the timer is enabled, the TIO signal is loaded with the value of the TCSR[INV] bit. When the counter value matches the value in the TCPR, the polarity of the TIO output signal is inverted. TCSR[TCF] is set, and a compare interrupt is generated if the TCSR[TCIE] bit is set. If the TCSR[TRM] bit is set, and the counter is loaded with the value of the TLR when the next timer clock is received, and the count resumes. If the TRM bit is cleared, the counter continues to increment on each timer clock. This process repeats until the timer is cleared (disabling the timer). The TCPR[TLR] value sets the delay between starting the timer and toggling the TIO signal. To generate output signals with a delay of X clock cycles between toggles, set the TLR value to X/2, and set the TCSR[TRM] bit. This process repeats until the timer is disabled (that is, TCSR[TE] is cleared).





**Figure 9-7. Toggle Mode, TRM = 1**



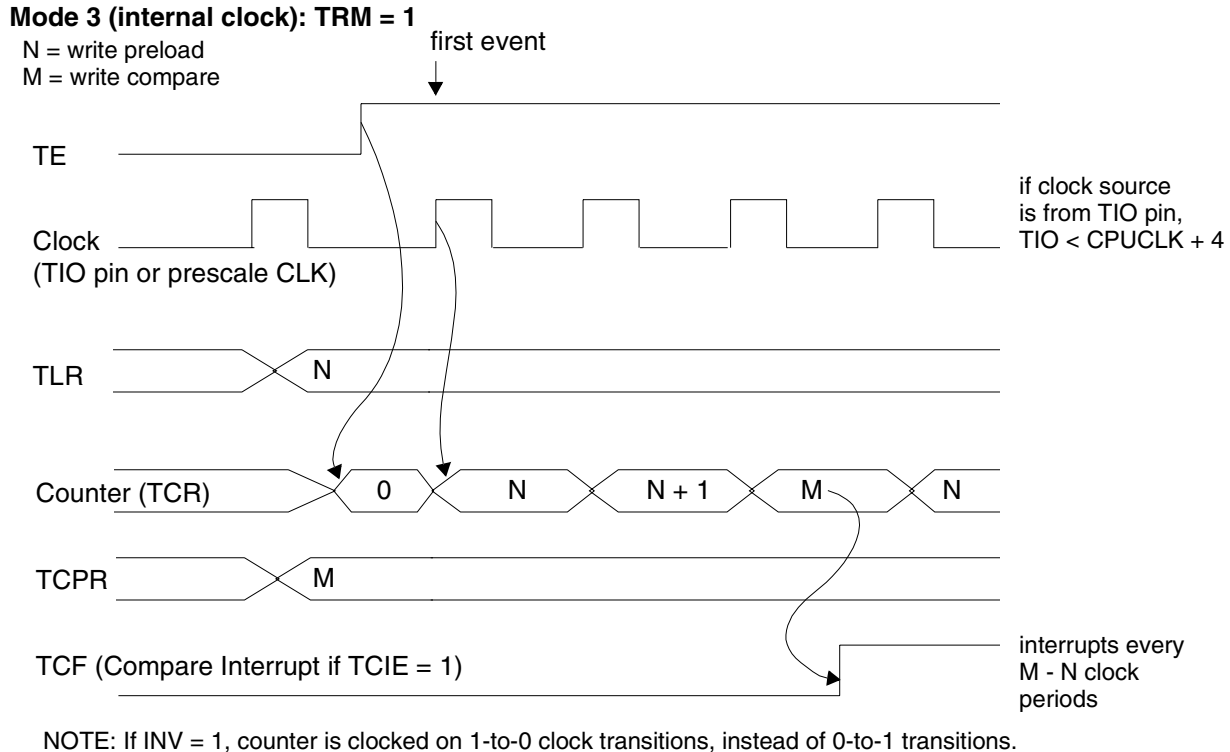
**Figure 9-8. Toggle Mode, TRM = 0**

### 9.3.1.4 Timer Event Counter (Mode 3)

Bit Settings				Mode Characteristics				
TC3	TC2	TC1	TC0	Mode	Name	Function	TIO	Clock
0	0	1	1	3	Event Counter	Timer	Input	External

In Mode 3, the timer counts external events and issues an interrupt (if interrupt enable bits are set) when the timer counts a preset number of events. The timer clock signal can be taken from either the TIO input signal or the prescaler clock output. If an external clock is used, it must be internally synchronized to the internal clock, and its frequency must be less than the DSP56309 internal operating frequency divided by 4. The value of the TCSR[INV] bit determines whether low-to-high (0 to 1) transitions or high-to-low (1 to 0) transitions increment the counter. If the INV bit is set, high-to-low transitions increment the counter. If the INV bit is cleared, low-to-high transitions increment the counter.

When the counter matches the value contained in the TCPR, TCSR[TCF] is set and a compare interrupt is generated if the TCSR[TCIE] bit is set. If the TCSR[TRM] bit is set, the counter is loaded with the value of the TLR when the next timer clock is received, and the count is resumed. If the TCSR[TRM] bit is cleared, the counter continues to increment on each timer clock. This process repeats until the timer is disabled.

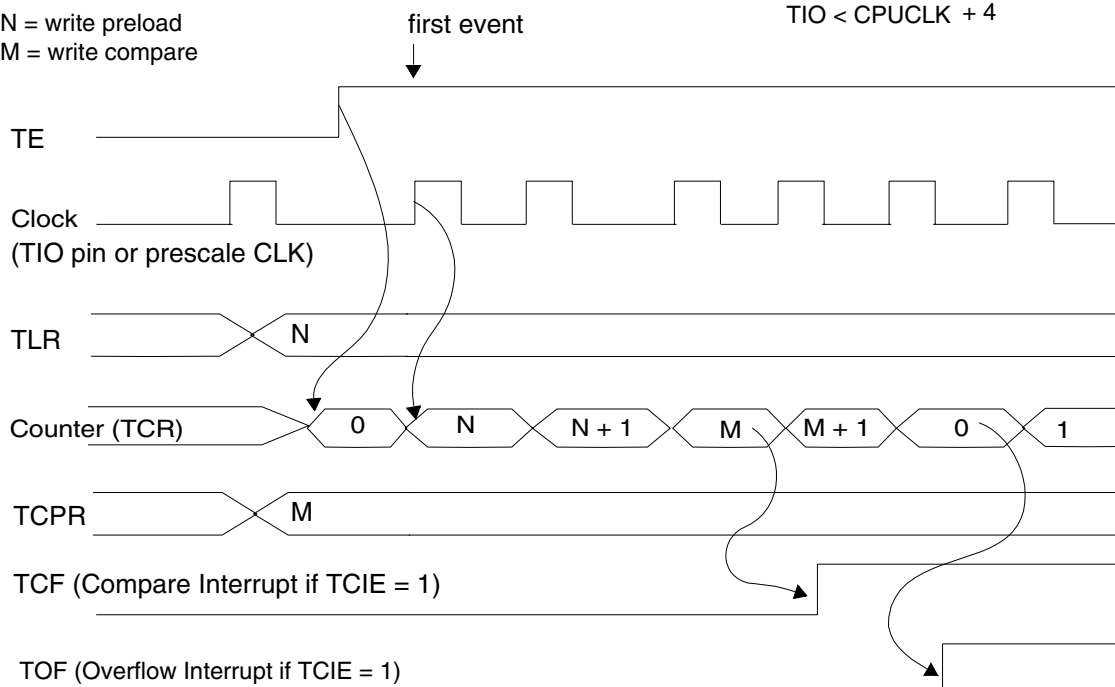


**Figure 9-9.** Event Counter Mode, TRM = 1

**Mode 3 (internal clock): TRM = 0**

N = write preload  
M = write compare

if clock source is from TIO pin,  
 $TIO < CPUCLK + 4$



NOTE: If INV = 1, counter is clocked on 1-to-0 clock transitions, instead of 0-to-1 transitions.

**Figure 9-10.** Event Counter Mode, TRM = 0

### 9.3.2 Signal Measurement Modes

The following signal measurement and pulse width modulation modes are provided:

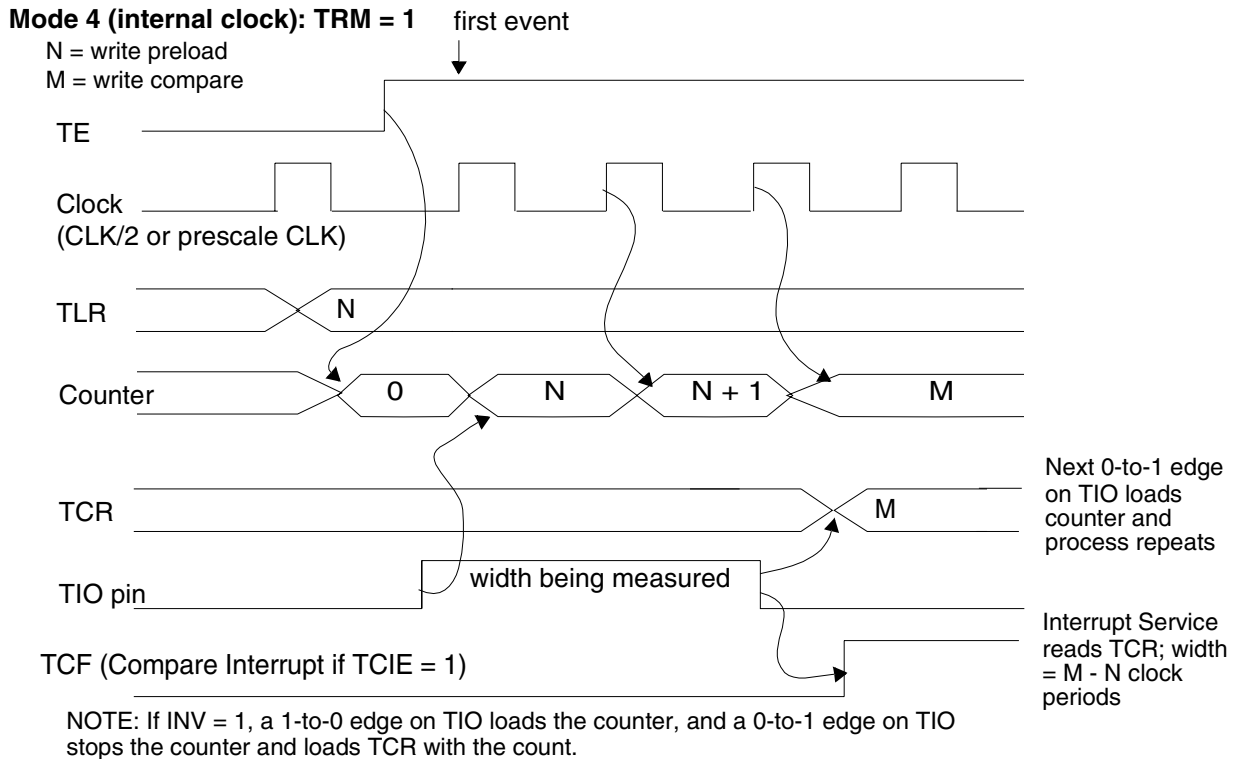
- Measurement input width (Mode 4)
- Measurement input period (Mode 5)
- Measurement capture (Mode 6)
- Pulse width modulation (PWM) mode (Mode 7)

The external signal synchronizes with the internal clock that increments the counter. This synchronization process can cause the number of clocks measured for the selected signal value to vary from the actual signal value by plus or minus one counter clock cycle.

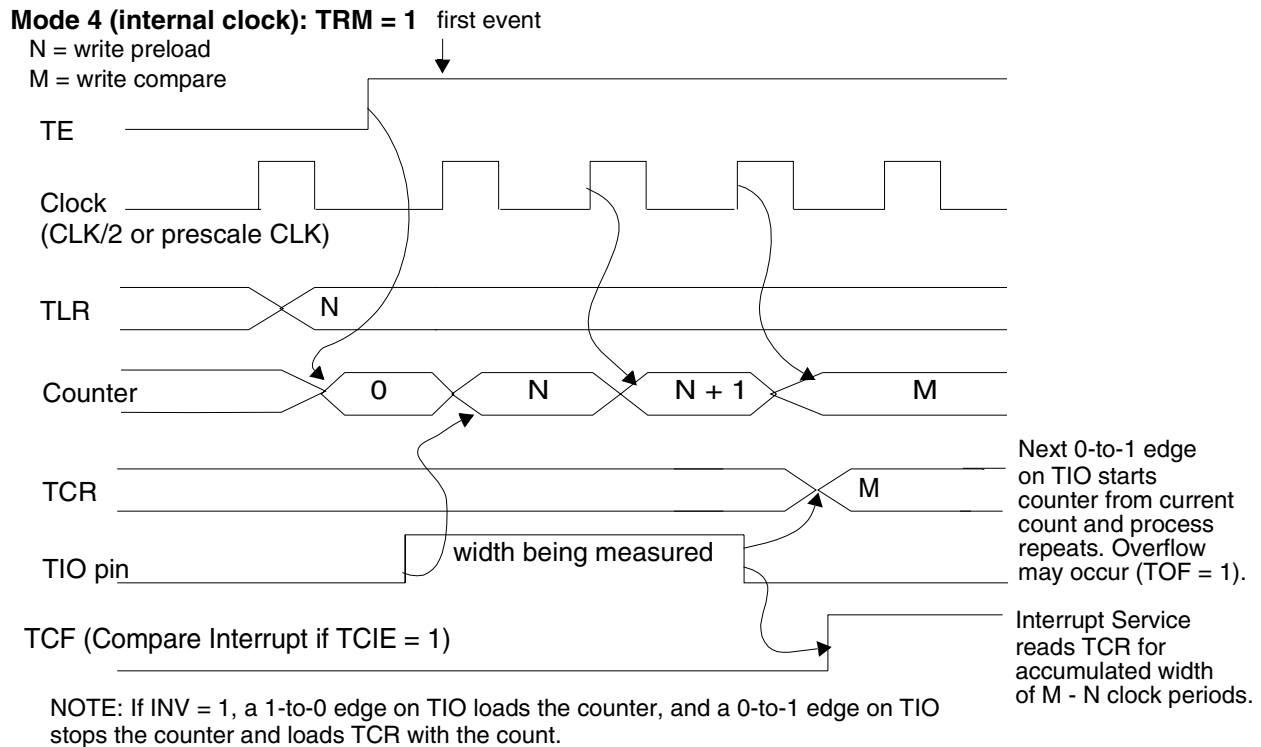
### 9.3.2.1 Measurement Input Width (Mode 4)

Bit Settings				Mode Characteristics				
TC3	TC2	TC1	TC0	Mode	Name	Function	TIO	Clock
0	1	0	0	4	Input width	Measurement	Input	Internal

In Mode 4, the timer counts the number of clocks that occur between opposite edges of an input signal. After the first appropriate transition (as determined by the TCSR[INV] bit) occurs on the TIO input signal, the counter is loaded with the TLR value. If TCSR[INV] is set, the timer starts on the first high-to-low (1 to 0) signal transition on the TIO signal. If the INV bit is cleared, the timer starts on the first low-to-high (that is, 0 to 1) transition on the TIO signal. When the first transition opposite in polarity to the INV bit setting occurs on the TIO signal, the counter stops. TCSR[TCF] is set and a compare interrupt is generated if the TCSR[TCIE] bit is set. The value of the counter (which measures the width of the TIO pulse) is loaded into the TCR, which can be read to determine the external signal pulse width. If the TCSR[TRM] bit is set, the counter is loaded with the TLR value on the first timer clock received following the next valid transition on the TIO input signal, and the count resumes. If TCSR[TRM] is cleared, the counter continues to increment on each timer clock. This process repeats until the timer is disabled.



**Figure 9-11.** Pulse Width Measurement Mode, TRM = 1

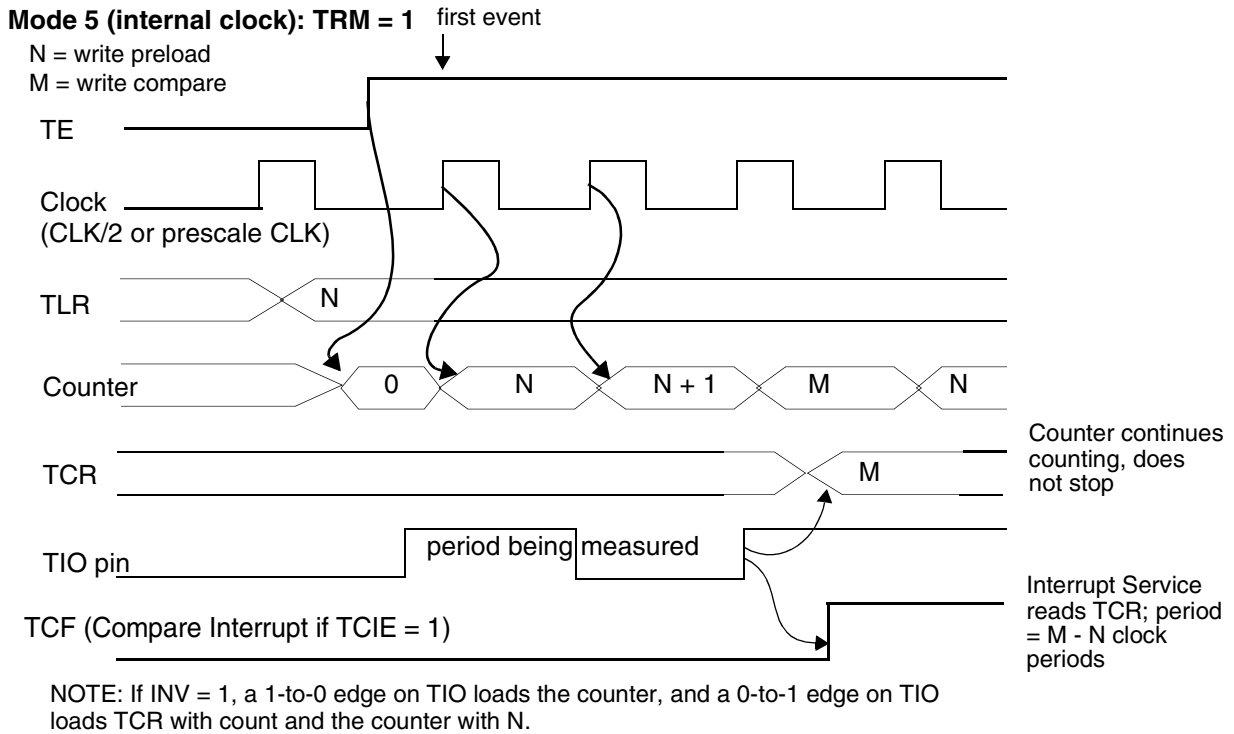


**Figure 9-12.** Pulse Width Measurement Mode, TRM = 0

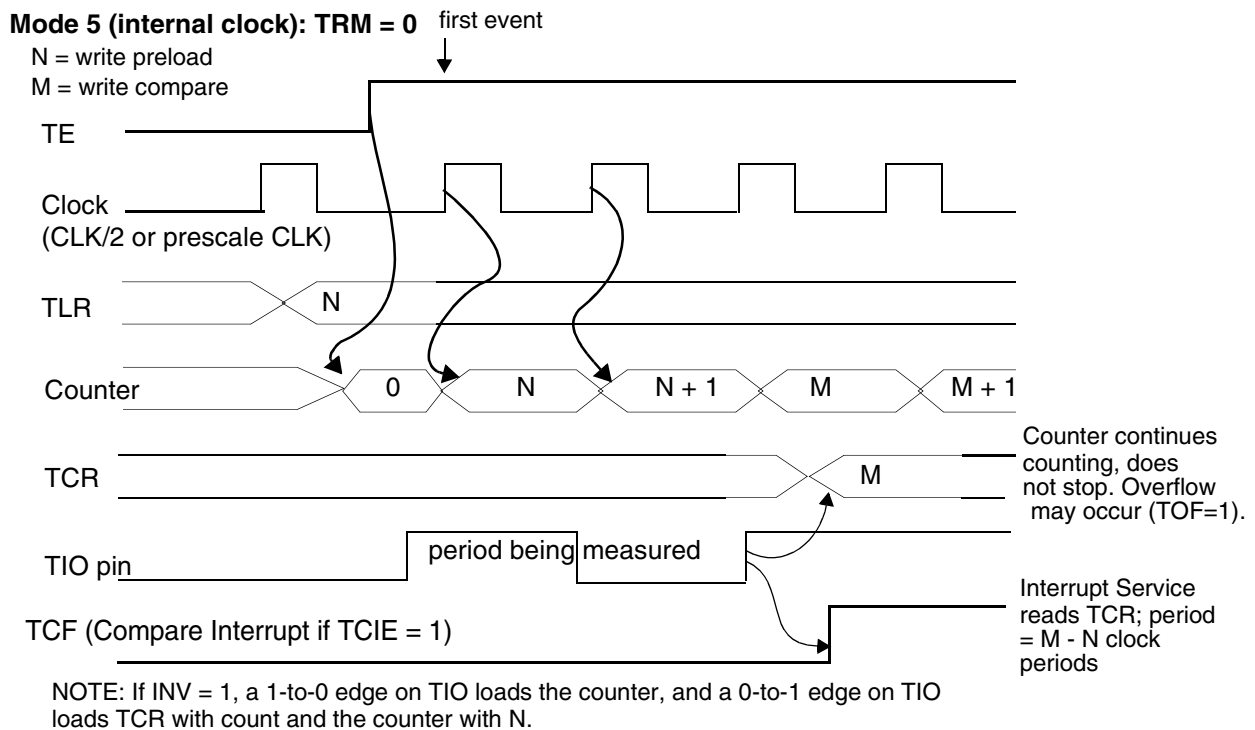
### 9.3.2.2 Measurement Input Period (Mode 5)

Bit Settings				Mode Characteristics				
TC3	TC2	TC1	TC0	Mode	Name	Function	TIO	Clock
0	1	0	1	5	Input period	Measurement	Input	Internal

In Mode 5, the timer counts the period between the reception of signal edges of the same polarity across the TIO signal. The value of the INV bit determines whether the period is measured between consecutive low-to-high (0 to 1) transitions of TIO or between consecutive high-to-low (1 to 0) transitions of TIO. If INV is set, high-to-low signal transitions are selected. If INV is cleared, low-to-high signal transitions are selected. After the first appropriate transition occurs on the TIO input signal, the counter is loaded with the TLR value. On the next signal transition of the same polarity that occurs on TIO, TCSR[TCF] is set, and a compare interrupt is generated if the TCSR[TCIE] bit is set. The contents of the counter load into the TCR. The TCR then contains the value of the time that elapsed between the two signal transitions on the TIO signal. After the second signal transition, if the TCSR[TRM] bit is set, the TCSR[TE] bit is set to clear the counter and enable the timer. The counter is repeatedly loaded and incremented until the timer is disabled. If the TCSR[TRM] bit is cleared, the counter continues to increment until it overflows.



**Figure 9-13.** Period Measurement Mode, TRM = 1



**Figure 9-14.** Period Measurement Mode, TRM = 0

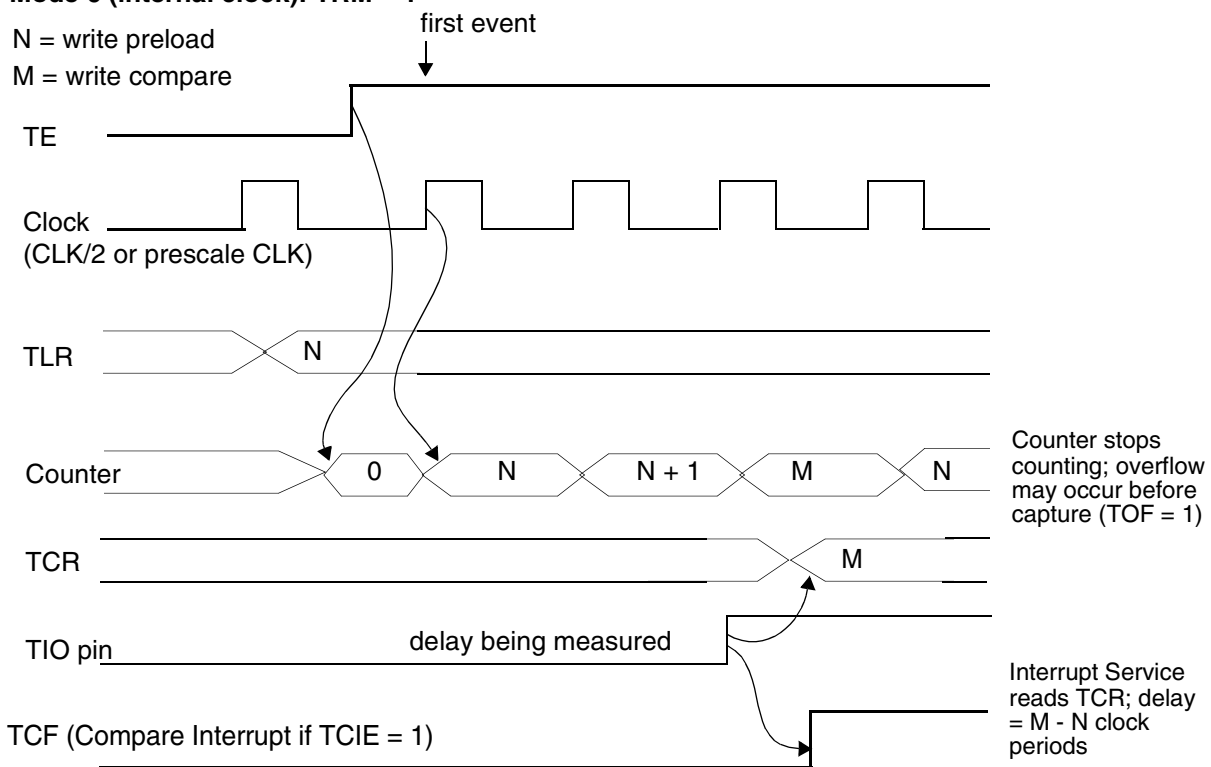
### 9.3.2.3 Measurement Capture (Mode 6)

Bit Settings				Mode Characteristics				
TC3	TC2	TC1	TC0	Mode	Name	Function	TIO	Clock
0	1	1	0	6	Capture	Measurement	Input	Internal

In Mode 6, the timer counts the number of clocks that elapse between when the timer starts and when an external signal is received. At the first appropriate transition of the external clock detected on the TIO signal, TCSR[TCF] is set and, if the TCSR[TCIE] bit is set, a compare interrupt is generated. The counter halts. The contents of the counter are loaded into the TCR. The value of the TCR represents the delay between the setting of the TCSR[TE] bit and the detection of the first clock edge signal on the TIO signal. The value of the INV bit determines whether a high-to-low (1 to 0) or low-to-high (0 to 1) transition of the external clock signals the end of the timing period. If the INV bit is set, a high-to-low transition signals the end of the timing period. If INV is cleared, a low-to-high transition signals the end of the timing period.

**Mode 6 (internal clock): TRM = 1**

N = write preload  
M = write compare



NOTE: If INV = 1, a 1-to-0 edge on TIO loads TCR with count and stops the counter.

**Figure 9-15. Capture Measurement Mode, TRM = 0**

### 9.3.3 Pulse Width Modulation

Bit Settings				Mode Characteristics				
TC3	TC2	TC1	TC0	Mode	Name	Function	TIO	Clock
0	1	1	1	7	Pulse width modulation	PWM	Output	Internal

In Mode 7, the timer generates periodic pulses of a preset width. When the counter equals the value in the TCPR, the TIO output signal is toggled and TCSR[TCF] is set. The contents of the counter are placed into the TCR. If the TCSR[TCIE] bit is set, a compare interrupt is generated. The counter continues to increment on each timer clock.

If counter overflow occurs, the TIO output signal is toggled, TCSR[TOF] is set, and an overflow interrupt is generated if the TCSR[TOIE] bit is set. If the TCSR[TRM] bit is set, the counter is loaded with the TLR value on the next timer clock and the count resumes. If the TCSR[TRM] bit is cleared, the counter continues to increment on each timer clock. This process repeats until the timer is disabled.

When the TCSR[TE] bit is set and the counter starts, the TIO signal assumes the value of INV. On each subsequent toggle of the TIO signal, the polarity of the TIO signal is reversed. For example, if the INV bit is set, the TIO signal generates the following signal: 1010. If the INV bit is cleared, the TIO signal generates the following signal: 0101.

The value of the TLR determines the output period ( $\$FFFFFF - TLR + 1$ ). The timer counter increments the initial TLR value and toggles the TIO signal when the counter value exceeds  $\$FFFFFF$ . The duty cycle of the TIO signal is determined by the value in the TCPR. When the value in the TLR increments to a value equal to the value in the TCPR, the TIO signal is toggled. The duty cycle is equal to  $(\$FFFFFF - TCPR)$  divided by  $(\$FFFFFF - TLR + 1)$ . For a 50 percent duty cycle, the value of TCPR is equal to  $(\$FFFFFF + TLR + 1)/2$ .

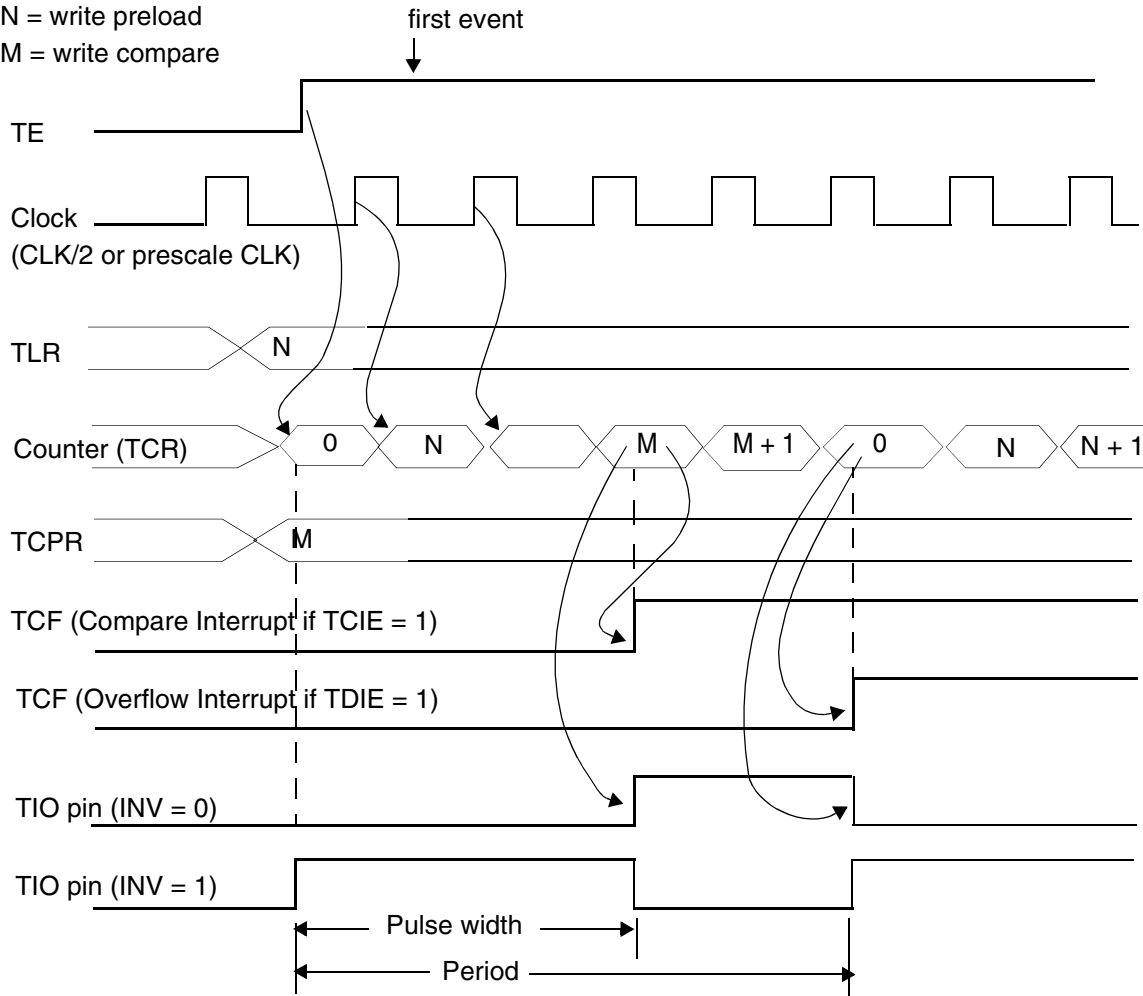
**Note:** The value in TCPR must be greater than the value in TLR.



Period =  $\$FFFFFF - TLR + 1$   
 Duty cycle =  $(\$FFFFFF - TCPR)$   
 Ensure that  $TCPR > TLR$  for correct functionality

**Mode 7 (internal clock): TRM = 1**

N = write preload  
 M = write compare

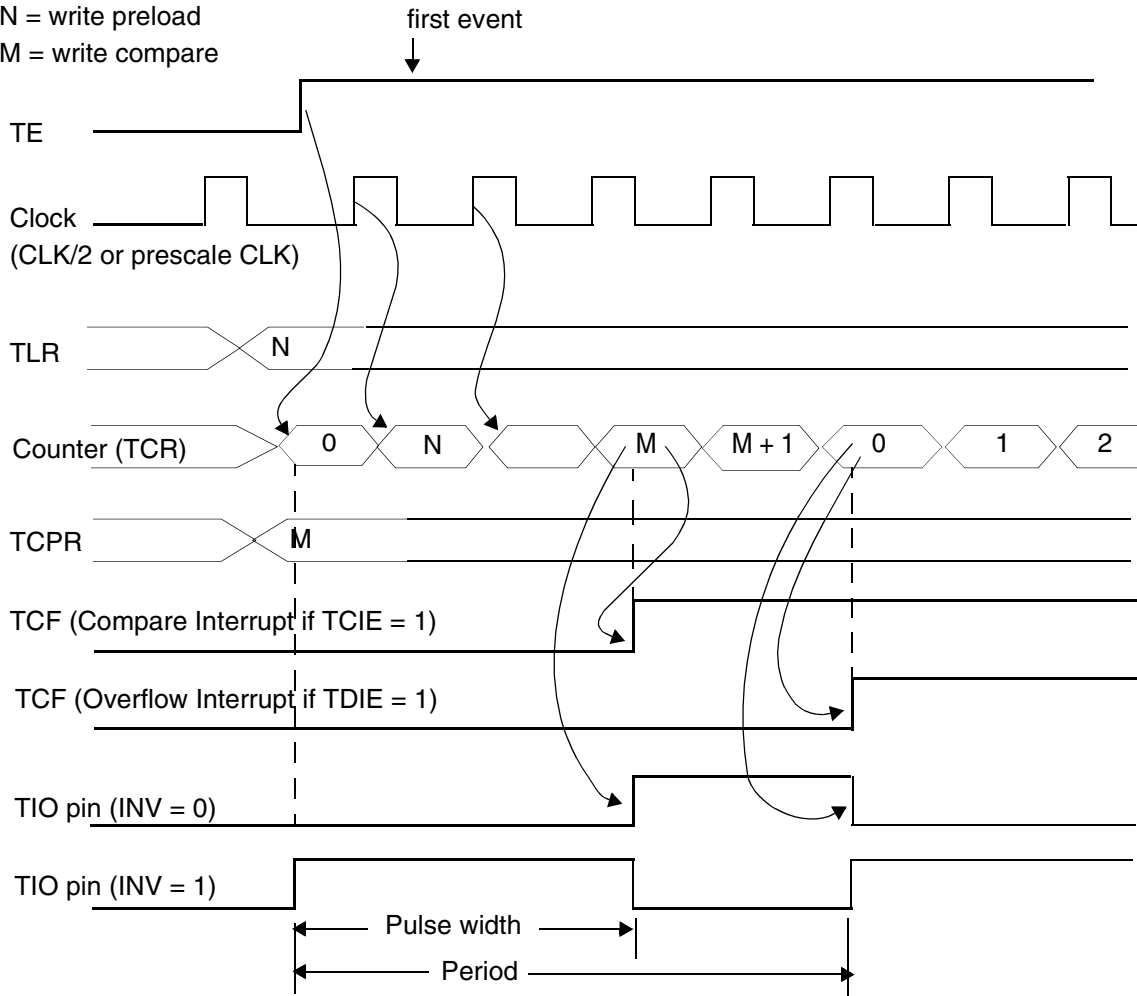


**Figure 9-16.** Pulse Width Modulation Toggle Mode, TRM = 1

Period =  $\$FFFFFF - TLR + 1$   
 Duty cycle =  $(\$FFFFFF - TCPR)$   
 Ensure that  $TCPR > TLR$  for correct functionality

**Mode 7 (internal clock): TRM = 0**

N = write preload  
 M = write compare



NOTE: On overflow, TCR is loaded with the value of TLR.

**Figure 9-17.** Pulse Width Modulation Toggle Mode, TRM = 0

### 9.3.4 Watchdog Modes

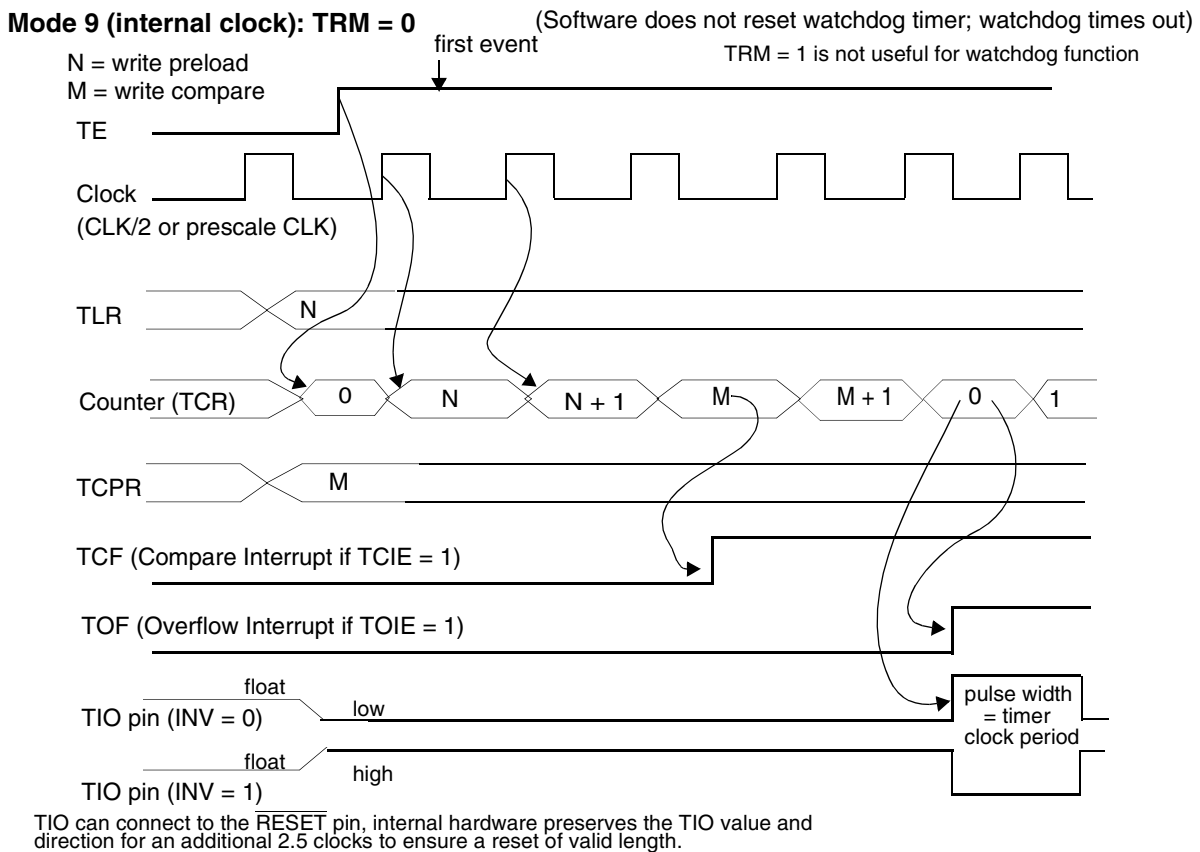
The following watchdog timer modes are provided:

- Watchdog Pulse
- Watchdog Toggle

### 9.3.4.1 Watchdog Pulse (Mode 9)

Bit Settings				Mode Characteristics				
TC3	TC2	TC1	TC0	Mode	Name	Function	TIO	Clock
1	0	0	1	9	Pulse	Watchdog	Output	Internal

In Mode 9, the timer generates an external signal at a preset rate. The signal period is equal to the period of one timer clock. After the counter reaches the value in the TCPR, if the TCSR[TRM] bit is set, the counter is loaded with the TLR value on the next timer clock and the count resumes. Therefore TRM = 1 is not useful for watchdog functions. If the TCSR[TRM] bit is cleared, the counter continues to increment on each subsequent timer clock. This process repeats until the timer is disabled (that is, TCSR[TE] is cleared). If the counter overflows, a pulse is output on the TIO signal with a pulse width equal to the timer clock period. If the INV bit is set, the pulse polarity is high (logical 1). If INV is cleared, the pulse polarity is low (logical 0). The counter reloads when the TLR is written with a new value while the TCSR[TE] bit is set. In Mode 9, internal logic preserves the TIO value and direction for an additional 2.5 internal clock cycles after the hardware  $\overline{\text{RESET}}$  signal is asserted. This convention ensures that a valid  $\overline{\text{RESET}}$  signal is generated when the TIO signal resets the DSP56309.

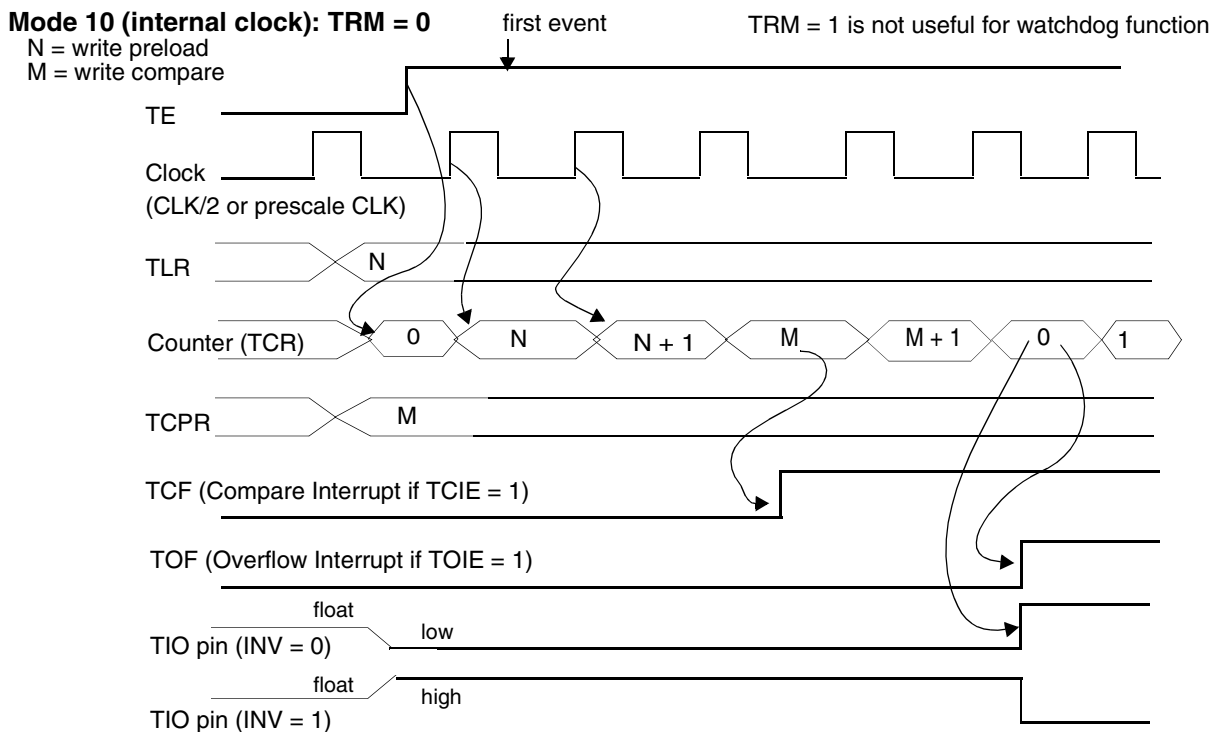


**Figure 9-18. Watchdog Pulse Mode**

### 9.3.4.2 Watchdog Toggle (Mode 10)

Bit Settings				Mode Characteristics				
TC3	TC2	TC1	TC0	Mode	Name	Function	TIO	Clock
1	0	1	0	10	Toggle	Watchdog	Output	Internal

In Mode 10, the timer toggles an external signal after a preset period. The TIO signal is set to the value of the INV bit. When the counter equals the value in the TCPR, TCSR[TCF] is set, and a compare interrupt is generated if the TCSR[TCIE] bit is also set. If the TCSR[TRM] bit is set, the counter loads with the TLR value on the next timer clock and the count resumes. Therefore, TRM = 1 is not useful for watchdog functions. If the TCSR[TRM] bit is cleared, the counter continues to increment on each subsequent timer clock. When a counter overflow occurs, the polarity of the TIO output signal is inverted. The counter is reloaded whenever the TLR is written with a new value while the TCSR[TE] bit is set. This process repeats until the timer is disabled. In Mode 10, internal logic preserves the TIO value and direction for an additional 2.5 internal clock cycles after the hardware  $\overline{\text{RESET}}$  signal is asserted. This convention ensures that a valid reset signal is generated when the TIO signal resets the DSP56309.



TIO can connect to the RESET pin, internal hardware preserves the TIO value and direction for an additional 2.5 clocks to ensure a reset of valid length.

**Figure 9-19. Watchdog Toggle Mode**

### 9.3.4.3 Reserved Modes

Modes 8, 11, 12, 13, 14, and 15 are reserved.

### 9.3.5 Special Cases

The following special cases apply during wait and stop state.

- *Timer behavior during wait.* Timer clocks are active during the execution of the **wait** instruction and timer activity is undisturbed. If a timer interrupt is generated, the DSP56309 leaves the wait state and services the interrupt.
- *Timer behavior during stop.* During execution of the **stop** instruction, the timer clocks are disabled, timer activity stops, and the TIO signals are disconnected. Any external changes that happen to the TIO signals are ignored when the DSP56309 is in stop state. To ensure correct operation, disable the timers before the DSP56309 is placed in stop state.

### 9.3.6 DMA Trigger

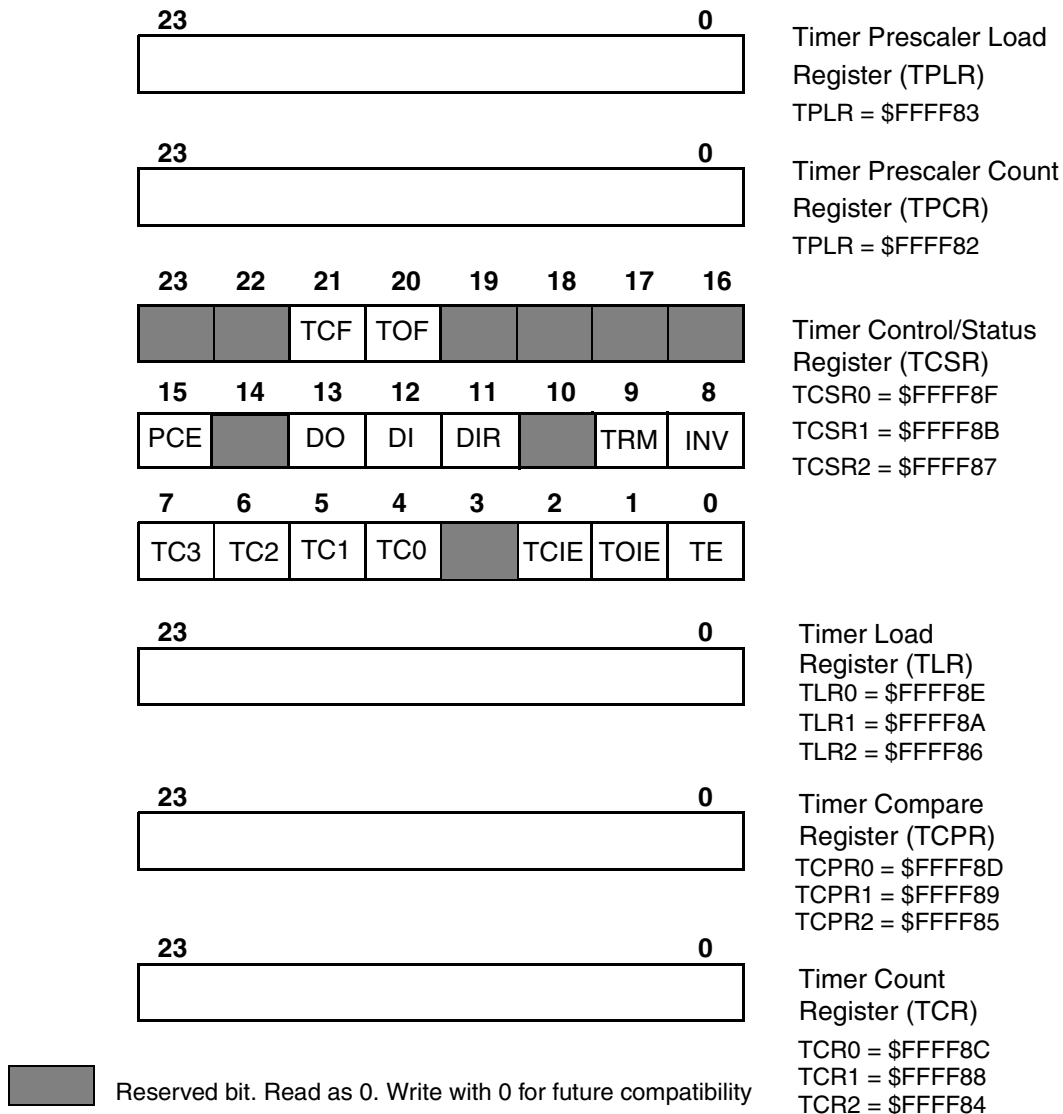
Each timer can also trigger DMA transfers if a DMA channel is programmed to be triggered by a timer event. The timer issues a DMA trigger on every event in all modes of operation. To ensure that all DMA triggers are serviced, provide for the preceding DMA trigger to be serviced before the DMA channel receives the next trigger.

## 9.4 Triple Timer Module Programming Model

The timer programming model in **Figure 9-20** shows the structure of the timer registers.

### 9.4.1 Prescaler Counter

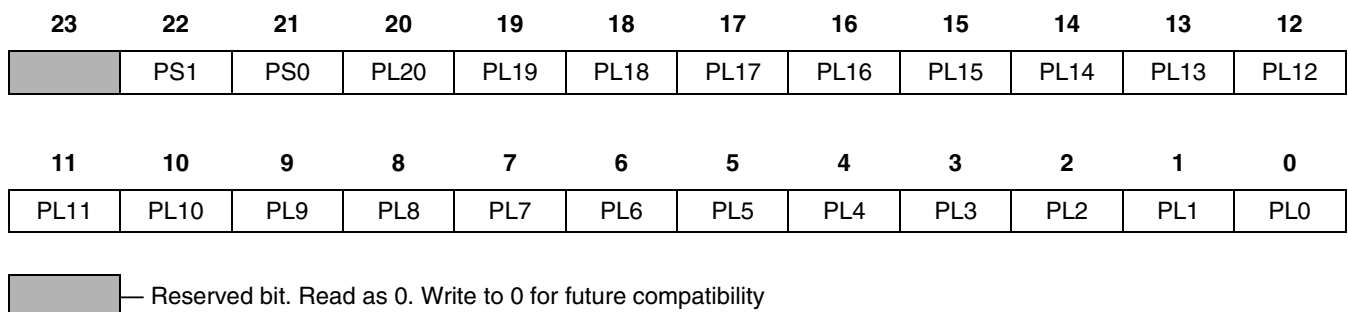
The prescaler counter is a 21-bit counter that decrements on the rising edge of the prescaler input clock. The counter is enabled when at least one of the three timers is enabled (that is, one or more of the timer enable bits are set) and is using the prescaler output as its source (that is, one or more of the PCE bits are set).



**Figure 9-20.** Timer Module Programming Model

### 9.4.2 Timer Prescaler Load Register (TPLR)

The TPLR is a read/write register that controls the prescaler divide factor (that is, the number that the prescaler counter loads and begins counting from) and the source for the prescaler input clock.



**Figure 9-21.** Timer Prescaler Load Register (TPLR)


**Table 9-1.** Timer Prescaler Load Register (TPLR) Bit Definitions

Bit Number	Bit Name	Reset Value	Description															
23		0	Reserved. Write to zero for future compatibility.															
22–21	PS[1–0]	0	<p><b>Prescaler Source</b> Control the source of the prescaler clock. The prescaler's use of a TIO signal is not affected by the TCSR settings of the timer of the corresponding TIO signal. If the prescaler source clock is external, the prescaler counter is incremented by signal transitions on the TIO signal. The external clock is internally synchronized to the internal clock. The external clock frequency must be lower than the DSP56309 internal operating frequency divided by 4 (that is, CLK/4).</p> <p><b>Note:</b> To ensure proper operation, change the PS[1–0] bits only when the prescaler counter is disabled. Disable the prescaler counter by clearing TCSR[TE] of each of three timers.</p> <table border="1"> <thead> <tr> <th>PS1</th> <th>PS0</th> <th>Prescaler Clock Source</th> </tr> </thead> <tbody> <tr> <td>0</td> <td>0</td> <td>Internal CLK/2</td> </tr> <tr> <td>0</td> <td>1</td> <td>TIO0</td> </tr> <tr> <td>1</td> <td>0</td> <td>TIO1</td> </tr> <tr> <td>1</td> <td>1</td> <td>TIO2</td> </tr> </tbody> </table>	PS1	PS0	Prescaler Clock Source	0	0	Internal CLK/2	0	1	TIO0	1	0	TIO1	1	1	TIO2
PS1	PS0	Prescaler Clock Source																
0	0	Internal CLK/2																
0	1	TIO0																
1	0	TIO1																
1	1	TIO2																
20–0	PL[20–0]	0	<p><b>Prescaler Preload Value</b> Contains the prescaler preload value, which is loaded into the prescaler counter when the counter value reaches 0 or the counter switches state from disabled to enabled. If PL[20–0] = N, then the prescaler counts N+1 source clock cycles before generating a prescaler clock pulse. Therefore, the prescaler divide factor = (preload value) + 1.</p>															

### 9.4.3 Timer Prescaler Count Register (TPCR)

The TPCR is a read-only register that reflects the current value in the prescaler counter.

23	22	21	20	19	18	17	16	15	14	13	12
			PC20	PC19	PC18	PC17	PC16	PC15	PC14	PC13	PC12
11	10	9	8	7	6	5	4	3	2	1	0
PC11	PC10	PC9	PC8	PC7	PC6	PC5	PC4	PC3	PC2	PC1	PC0

 Reserved bit; read as 0; write to 0 for future compatibility


**Figure 9-22.** Timer Prescaler Count Register (TPCR)**Table 9-2.** Timer Prescaler Count Register (TPCR) Bit Definitions

Bit Number	Bit Name	Reset Value	Description
23–21		0	Reserved. Write to zero for future compatibility.
20–0	PC[20–0]	0	<p><b>Prescaler Counter Value</b> Contain the current value of the prescaler counter.</p>

## 9.4.4 Timer Control/Status Register (TCSR)

The TCSR is a read/write register controlling the timer and reflecting its status.

23	22	21	20	19	18	17	16	15	14	13	12
		TCF	TOF					PCE		DO	DI
11	10	9	8	7	6	5	4	3	2	1	0
DIR		TRM	INV	TC3	TC2	TC1	TC0		TCIE	TOIE	TE

 Reserved. Read as 0. Write to 0 for future compatibility

**Figure 9-23.** Timer Control/Status Register (TCSR)

**Table 9-3.** Timer Control/Status Register (TCSR) Bit Definitions

Bit Number	Bit Name	Reset Value	Description
23–22		0	Reserved. Write to zero for future compatibility.
21	TCF	0	<p><b>Timer Compare Flag</b> Indicate that the event count is complete. In timer, PWM, and watchdog modes, the TCF bit is set after (M – N + 1) events are counted. (M is the value in the compare register and N is the TLR value.) In measurement modes, the TCF bit is set when the measurement completes. Writing a one to the TCF bit clears it. A zero written to the TCF bit has no effect. The bit is also cleared when the timer compare interrupt is serviced. The TCF bit is cleared by a hardware <math>\overline{\text{RESET}}</math> signal, a software RESET instruction, the STOP instruction, or by clearing the TCSR[TE] bit to disable the timer.</p> <p><b>Note:</b> The TOF and TCF bits are cleared by a 1 written to the specific bit. To ensure that only the target bit is cleared, do not use the BSET command. The proper way to clear these bits is to write 1, using a MOVEP instruction, to the flag to be cleared and 0 to the other flag.</p>
20	TOF	0	<p><b>Timer Overflow Flag</b> Indicates that a counter overflow has occurred. This bit is cleared by writing a one to the TOF bit. Writing a zero to TOF has no effect. The bit is also cleared when the timer overflow interrupt is serviced. The TOF bit is cleared by a hardware <math>\overline{\text{RESET}}</math> signal, a software RESET instruction, the STOP instruction, or by clearing the TCSR[TE] bit to disable the timer.</p>
19–16		0	Reserved. Write to zero for future compatibility.
15	PCE	0	<p><b>Prescaler Clock Enable</b> Selects the prescaler clock as the timer source clock. When PCE is cleared, the timer uses either an internal (CLK/2) signal or an external (TIO) signal as its source clock. When PCE is set, the prescaler output is the timer source clock for the counter, regardless of the timer operating mode. To ensure proper operation, the PCE bit is changed only when the timer is disabled. The PS[1–0] bits of the TPLR determine which source clock is used for the prescaler. A timer can be clocked by a prescaler clock that is derived from the TIO of another timer.</p>
14		0	Reserved. Write to zero for future compatibility.



**Table 9-3.** Timer Control/Status Register (TCSR) Bit Definitions (Continued)

Bit Number	Bit Name	Reset Value	Description
13	DO	0	<b>Data Output</b> The source of the TIO value when it is a data output signal. The TIO signal is a data output when the GPIO mode is enabled and DIR is set. A value written to the DO bit is written to the TIO signal. If the INV bit is set, the value of the DO bit is inverted when written to the TIO signal. When the INV bit is cleared, the value of the DO bit is written directly to the TIO signal. When GPIO mode is disabled, writing to the DO bit has no effect.
12	DI	0	<b>Data Input</b> Reflects the value of the TIO signal. If the INV bit is set, the value of the TIO signal is inverted before it is written to the DI bit. If the INV bit is cleared, the value of the TIO signal is written directly to the DI bit.
11	DIR	0	<b>Direction</b> Determines the behavior of the TIO signal when it functions as a GPIO signal. When DIR is set, the TIO signal is an output; when DIR is cleared, the TIO signal is an input. The TIO signal functions as a GPIO signal only when the TC[3–0] bits are cleared. If any of the TC[3–0] bits are set, then the GPIO function is disabled, and the DIR bit has no effect.
10		0	Reserved. Write to zero for future compatibility.
9	TRM	0	<b>Timer Reload Mode</b> Controls the counter preload operation. In timer (0–3) and watchdog (9–10) modes, the counter is preloaded with the TLR value after the TCSR[TE] bit is set and the first internal or external clock signal is received. If the TRM bit is set, the counter is reloaded each time after it reaches the value contained by the TCR. In PWM mode (7), the counter is reloaded each time counter overflow occurs. In measurement (4–5) modes, if the TRM and the TCSR[TE] bits are set, the counter is preloaded with the TLR value on each appropriate edge of the input signal. If the TRM bit is cleared, the counter operates as a free running counter and is incremented on each incoming event.
8	INV	0	<b>Inverter</b> Affects the polarity definition of the incoming signal on the TIO signal when TIO is programmed as input. It also affects the polarity of the output pulse generated on the TIO signal when TIO is programmed as output. See <b>Table 9-4, Inverter (INV) Bit Operation</b> , on page 9-27. The INV bit does not affect the polarity of the prescaler source when the TIO is input to the prescaler.  <b>Note:</b> The INV bit affects both the timer and GPIO modes of operation. To ensure correct operation, change this bit only when one or both of the following conditions is true: the timer is disabled (the TCSR[TE] bit is cleared). The timer is in GPIO mode.

**Table 9-3.** Timer Control/Status Register (TCSR) Bit Definitions (Continued)

Bit Number	Bit Name	Reset Value	Description							
7-4	TC[3-0]	0	<p><b>Timer Control</b> Control the source of the timer clock, the behavior of the TIO signal, and the Timer mode of operation. <b>Section 9.3, Operating Modes</b>, on page 9-5 describes the timer operating modes in detail. To ensure proper operation, the TC[3-0] bits should be changed only when the timer is disabled (that is, when the TCSR[TE] bit is cleared).</p> <p><b>Note:</b> If the clock is external, the counter is incremented by the transitions on the TIO signal. The external clock is internally synchronized to the internal clock, and its frequency should be lower than the internal operating frequency divided by 4 (that is, CLK/4).</p>							
			<b>Bit Settings</b>				<b>Mode Characteristics</b>			
			<b>TC3</b>	<b>TC2</b>	<b>TC1</b>	<b>TC0</b>	<b>Mode Number</b>	<b>Mode Function</b>	<b>TIO</b>	<b>Clock</b>
			0	0	0	0	0	Timer and GPIO	GPIO <sub>1</sub>	Internal
			0	0	0	1	1	Timer pulse	Output	Internal
			0	0	1	0	2	Timer toggle	Output	Internal
			0	0	1	1	3	Event counter	Input	External
			0	1	0	0	4	Input width measurement	Input	Internal
			0	1	0	1	5	Input period measurement	Input	Internal
			0	1	1	0	6	Capture event	Input	Internal
			0	1	1	1	7	Pulse width modulation	Output	Internal
			1	0	0	0	8	Reserved	—	—
			1	0	0	1	9	Watchdog pulse	Output	Internal
			1	0	1	0	10	Watchdog Toggle	Output	Internal
			1	0	1	1	11	Reserved	—	—
			1	1	0	0	12	Reserved	—	—
			1	1	0	1	13	Reserved	—	—
1	1	1	0	14	Reserved	—	—			
1	1	1	1	15	Reserved	—	—			
<b>Note:</b> The GPIO function is enabled only if all of the TC[3-0] bits are 0.										
3		0	Reserved. Write to zero for future compatibility.							

**Table 9-3.** Timer Control/Status Register (TCSR) Bit Definitions (Continued)

Bit Number	Bit Name	Reset Value	Description
2	TCIE	0	<b>Timer Compare Interrupt Enable</b> Enables/disables the timer compare interrupts. When set, TCIE enables the compare interrupts. In the timer, pulse width modulation (PWM), or watchdog modes, a compare interrupt is generated after the counter value matches the value of the TCPR. The counter starts counting up from the number loaded from the TLR and if the TCPR value is M, an interrupt occurs after (M – N + 1) events, where N is the value of TLR. When cleared, the TCSR[TCIE] bit disables the compare interrupts.
1	TOIE	0	<b>Timer Overflow Interrupt Enable</b> Enables timer overflow interrupts. When set, TOIE enables overflow interrupt generation. The timer counter can hold a maximum value of \$FFFFFF. When the counter value is at the maximum value and a new event causes the counter to be incremented to \$000000, the timer generates an overflow interrupt. When cleared, the TOIE bit disables overflow interrupt generation.
0	TE	0	<b>Timer Enable</b> Enables/disables the timer. When set, TE enables the timer and clears the timer counter. The counter starts counting according to the mode selected by the timer control (TC[3–0]) bit values. When clear, TE bit disables the timer.  <b>Note:</b> When all three timers are disabled and the signals are not in GPIO mode, all three TIO signals are tri-stated. To prevent undesired spikes on the TIO signals when you switch from tri-state into active state, these signals should be tied to the high or low signal state by pull-up or pull-down resistors.

**Table 9-4.** Inverter (INV) Bit Operation

Mode	TIO Programmed as Input		TIO Programmed as Output	
	INV = 0	INV = 1	INV = 0	INV = 1
0	GPIO signal on the TIO signal read directly.	GPIO signal on the TIO signal inverted.	Bit written to GPIO put on TIO signal directly.	Bit written to GPIO inverted and put on TIO signal.
1	Counter is incremented on the <b>rising</b> edge of the signal from the TIO signal.	Counter is incremented on the <b>falling</b> edge of the signal from the TIO signal.	—	—
2	Counter is incremented on the <b>rising</b> edge of the signal from the TIO signal.	Counter is incremented on the <b>falling</b> edge of the signal from the TIO signal.	Initial output put on TIO signal directly.	Initial output inverted and put on TIO signal.
3	Counter is incremented on the <b>rising</b> edge of the signal from the TIO signal.	Counter is incremented on the <b>falling</b> edge of the signal from the TIO signal.	—	—
4	Width of the <b>high</b> input pulse is measured.	Width of the <b>low</b> input pulse is measured.	—	—
5	Period is measured between the <b>rising</b> edges of the input signal.	Period is measured between the <b>falling</b> edges of the input signal.	—	—

**Table 9-4.** Inverter (INV) Bit Operation (Continued)

Mode	TIO Programmed as Input		TIO Programmed as Output	
	INV = 0	INV = 1	INV = 0	INV = 1
6	Event is captured on the <b>rising</b> edge of the signal from the TIO signal.	Event is captured on the <b>falling</b> edge of the signal from the TIO signal.	—	—
7	—	—	Pulse generated by the timer has <b>positive</b> polarity.	Pulse generated by the timer has <b>negative</b> polarity.
9	—	—	Pulse generated by the timer has <b>positive</b> polarity.	Pulse generated by the timer has <b>negative</b> polarity.
10	—	—	Pulse generated by the timer has <b>positive</b> polarity.	Pulse generated by the timer has <b>negative</b> polarity.

### 9.4.5 Timer Load Register (TLR)

The TLR is a 24-bit write-only register. In all modes, the counter is preloaded with the TLR value after the TCSR[TE] bit is set and a first event occurs.

- In timer modes, if the TCSR[TRM] bit is set, the counter is reloaded each time after it reaches the value contained by the timer compare register and the new event occurs.
- In measurement modes, if TCSR[TRM] and TCSR[TE] are set, the counter is reloaded with the value in the TLR on each appropriate edge of the input signal.
- In PWM modes, if TCSR[TRM] is set, the counter is reloaded each time after it overflows and the new event occurs.
- In watchdog modes, if TCSR[TRM] is set, the counter is reloaded each time after it reaches the value contained by the timer compare register and the new event occurs. In this mode, the counter is also reloaded whenever the TLR is written with a new value while TCSR[TE] is set.
- In all modes, if TCSR[TRM] is cleared (TRM = 0), the counter operates as a free-running counter.

### 9.4.6 Timer Compare Register (TCPR)

The TCPR is a 24-bit read/write register that contains the value to be compared to the counter value. These two values are compared every timer clock after TCSR[TE] is set. When the values match, the timer compare flag bit is set and an interrupt is generated if interrupts are enabled (that is, the timer compare interrupt enable bit in the TCSR is set). The TCPR is ignored in measurement modes.

### 9.4.7 Timer Count Register (TCR)

The TCR is a 24-bit read-only register. In timer and watchdog modes, the contents of the counter can be read at any time from the TCR register. In measurement modes, the TCR is loaded with the current value of the counter on the appropriate edge of the input signal, and its value can be read to determine the width, period, or delay of the leading edge of the input signal. When the timer is in measurement mode, the TIO signal is used for the input signal.



## Bootstrap Program

This appendix lists the bootstrap program and equates for the DSP56309. Freescale posts updates to the bootstrap program on the Worldwide Web at the web site listed on the back cover of this manual.

### A.1 Bootstrap Code

```
; BOOTSTRAP CODE FOR DSP56309 - (C) Copyright 1997 Motorola Inc.
; Revised March, 18 1997.
;
; Bootstrap through the Host Interface, External EPROM or SCI.
;
; This is the Bootstrap program contained in the DSP56309 192-word Boot
; ROM. This program can load any program RAM segment from an external
; EPROM, from the Host Interface or from the SCI serial interface.
;
;
;;;;;;;;;;;;;;;;;;;;;;;;;;;;;;;;;;;;;;;;;;;;;;;;;;;;;;;;;;;;;;;;;;;;;;;;;;;;;;;;
; If MD:MC:MB:MA=x000, then the Boot ROM is bypassed and the DSP56309
; will start fetching instructions beginning with address $C00000 (MD=0)
; or $008000 (MD=1) assuming that an external memory of SRAM type is
; used. The accesses will be performed using 31 wait states with no
; address attributes selected (default area).
;
;
;;;;;;;;;;;;;;;;;;;;;;;;;;;;;;;;;;;;;;;;;;;;;;;;;;;;;;;;;;;;;;;;;;;;;;;;;;;;;;;;
; Operation modes MD:MC:MB:MA=0001-0111 are reserved.
;
;
;;;;;;;;;;;;;;;;;;;;;;;;;;;;;;;;;;;;;;;;;;;;;;;;;;;;;;;;;;;;;;;;;;;;;;;;;;;;;;;;
; If MD:MC:MB:MA=1001, then it loads a program RAM segment from consecutive
; byte-wide P memory locations, starting at P:$D00000 (bits 7-0).
; The memory is selected by the Address Attribute AA1 and is accessed with
; 31 wait states.
; The EPROM bootstrap code expects to read 3 bytes
; specifying the number of program words, 3 bytes specifying the address
; to start loading the program words and then 3 bytes for each program
; word to be loaded. The number of words, the starting address and the
; program words are read least significant byte first followed by the
; mid and then by the most significant byte.
; The program words will be condensed into 24-bit words and stored in
; contiguous PRAM memory locations starting at the specified starting address.
; After reading the program words, program execution starts from the same
; address where loading started.
;
;
;
;;;;;;;;;;;;;;;;;;;;;;;;;;;;;;;;;;;;;;;;;;;;;;;;;;;;;;;;;;;;;;;;;;;;;;;;;;;;;;;;
```

Downloaded from [Elcodis.com](http://Elcodis.com) electronic components distributor

## Bootstrap Program

```
; If MD:MC:MB:MA=1010, then it loads the program RAM from the SCI interface.
; The number of program words to be loaded and the starting address must
; be specified. The SCI bootstrap code expects to receive 3 bytes
; specifying the number of program words, 3 bytes specifying the address
; to start loading the program words and then 3 bytes for each program
; word to be loaded. The number of words, the starting address and the
; program words are received least significant byte first followed by the
; mid and then by the most significant byte. After receiving the
; program words, program execution starts in the same address where
; loading started. The SCI is programmed to work in asynchronous mode
; with 8 data bits, 1 stop bit and no parity. The clock source is
; external and the clock frequency must be 16x the baud rate.
; After each byte is received, it is echoed back through the SCI
; transmitter.
;
;
;
;
; Operation mode MD:MC:MB:MA=1011 is reserved.
;
;
;
;
; If MD:MC:MB:MA=1100, then it loads the program RAM from the Host
; Interface programmed to operate in the ISA mode.
; The HOST ISA bootstrap code expects to read a 24-bit word
; specifying the number of program words, a 24-bit word specifying the address
; to start loading the program words and then a 24-bit word for each program
; word to be loaded. The program words will be stored in
; contiguous PRAM memory locations starting at the specified starting address.
; After reading the program words, program execution starts from the same
; address where loading started.
; The Host Interface bootstrap load program may be stopped by
; setting the Host Flag 0 (HF0). This will start execution of the loaded
; program from the specified starting address.
;
;
;
;
; If MD:MC:MB:MA=1101, then it loads the program RAM from the Host
; Interface programmed to operate in the HC11 non multiplexed mode.
;
;
; The HOST HC11 bootstrap code expects to read a 24-bit word
; specifying the number of program words, a 24-bit word specifying the address
; to start loading the program words and then a 24-bit word for each program
; word to be loaded. The program words will be stored in
; contiguous PRAM memory locations starting at the specified starting address.
; After reading the program words, program execution starts from the same
; address where loading started.
; The Host Interface bootstrap load program may be stopped by
; setting the Host Flag 0 (HF0). This will start execution of the loaded
; program from the specified starting address.
;
;
;
;
;
; If MD:MC:MB:MA=1110, then it loads the program RAM from the Host
; Interface programmed to operate in the 8051 multiplexed bus mode,
; in double-strob pin configuration.
; The HOST 8051 bootstrap code expects accesses that are byte wide.
; The HOST 8051 bootstrap code expects to read 3 bytes forming a 24-bit word
; specifying the number of program words, 3 bytes forming a 24-bit word
```



```

; specifying the address to start loading the program words and then 3 bytes
; forming 24-bit words for each program word to be loaded.
; The program words will be stored in contiguous PRAM memory locations
; starting at the specified starting address.
; After reading the program words, program execution starts from the same
; address where loading started.
; The Host Interface bootstrap load program may be stopped by setting the
; Host Flag 0 (HF0). This will start execution of the loaded program from
; the specified starting address.
;
; The base address of the HI08 in multiplexed mode is 0x80 and is not
; modified by the bootstrap code. All the address lines are enabled
; and should be connected accordingly.
;
;;;;;;;;;;;;;;;;;;;;;;;;;;;;;;;;;;;;;;;;;;;;;;;;;;;;;;;;;;;;;;;;;;;;;;;;;;;;;;;;
; If MD:MC:MB:MA=1111, then it loads the program RAM from the Host
; Interface programmed to operate in the MC68302 (IMP) bus mode,
; in single-strob pin configuration.
; The HOST MC68302 bootstrap code expects accesses that are byte wide.
; The HOST MC68302 bootstrap code expects to read 3 bytes forming a 24-bit word
; specifying the number of program words, 3 bytes forming a 24-bit word
; specifying the address to start loading the program words and then 3 bytes
; forming 24-bit words for each program word to be loaded.
; The program words will be stored in contiguous PRAM memory locations
; starting at the specified starting address.
; After reading the program words, program execution starts from the same
; address where loading started.
; The Host Interface bootstrap load program may be stopped by setting the
; Host Flag 0 (HF0). This will start execution of the loaded program from
; the specified starting address.
;
;;;;;;;;;;;;;;;;;;;;;;;;;;;;;;;;;;;;;;;;;;;;;;;;; MEMORY EQUATES ;;;;;;;;;;;;;;;;;
page      132,55,0,0,0
opt       mex

EQUALDATA    equ    1        ;; 1 if xram and yram are of equal
                ;; size and addresses, 0 otherwise.

        if      (EQUALDATA)
start_dram   equ    0        ;; 24k X and Y RAM
length_dram  equ    $1c00    ;; same addresses
        else
start_xram   equ    0        ;; 7k XRAM
length_xram  equ    $1c00
start_yram   equ    0        ;; 7k YRAM
length_yram  equ    $1c00
        endif

start_pram   equ    0        ;; 20k PRAM
length_pram  equ    $5000

;;
;;;;;;;;;;;;;;;;;;;;;;;;;;;;;;;;; GENERAL EQUATES ;;;;;;;;;;;;;;;;;
;;

BOOT    equ    $D00000    ; this is the location in P memory

```

## Bootstrap Program

```

; on the external memory bus
; where the external byte-wide
; EPROM would be located
AARV    equ    $D00409    ; AAR1 selects the EPROM as CE~
; mapped as P from $D00000 to
; $DFFFFFF, active low

;;
;::::::::::::::::::::; DSP I/O REGISTERS ;::::::::::::::::::::;
;;

M_PDRC  EQU    $FFFFBD    ;; Port C GPIO Data Register
M_PRRC  EQU    $FFFFBE    ;; Port C Direction Register
M_SSR   EQU    $FFFF93    ; SCI Status Register
M_STXL  EQU    $FFFF95    ; SCI Transmit Data Register (low)
M_SRXL  EQU    $FFFF98    ; SCI Receive Data Register (low)
M_SCCR  EQU    $FFFF9B    ; SCI Clock Control Register
M_SCR   EQU    $FFFF9C    ; SCI Control Register
M_PCRE  EQU    $FFFF9F    ; Port E Control register
M_AAR1  EQU    $FFFFF8    ; Address Attribute Register 1
M_HPCR  EQU    $FFFFC4    ; Host Polarity Control Register
M_HSR   EQU    $FFFFC3    ; Host Status Register
M_HRX   EQU    $FFFFC6    ; Host Receive Register
HRDF    EQU    $0         ; Host Receive Data Full
HF0     EQU    $3         ; Host Flag 0
HEN     EQU    $6         ; Host Enable
SCK0    EQU    $3         ;; SCK0 is bit #3 as GPIO

ORG PL:$ff0000,PL:$ff0000    ; bootstrap code starts at $ff0000

START
    clr a                    ; clear a
    jclr #3,omr,OMR0XXX      ; If MD:MC:MB:MA=0xxx, go to OMR0XXX
    jclr #2,omr,EPRSCILD     ; If MD:MC:MB:MA=10xx, load from EPROM/SCI
    jclr #1,omr,OMR1IS0     ; IF MD:MC:MB:MA=110x, look for ISA/HC11
    jclr #0,omr,I8051HOSTLD ; If MD:MC:MB:MA=1110, load from 8051 Host
                            ; If MD:MC:MB:MA=1111, load from MC68302 Host

;=====
; This is the routine which loads a program through the HI08 host port
; The program is downloaded from the host MCU with the following rules:
; 1) 3 bytes - Define the program length.
; 2) 3 bytes - Define the address to which to start loading the program to.
; 3) 3n bytes (while n is any integer number)
; The program words will be stroed in contiguous PRAM memory locations starting
; at the specified starting address.
; After reading the program words, program execution starts from the same
; address where loading started.
; The host MCU may terminate the loading process by setting the HF1=0 and HF0=1.
; When the downloading is terminated, the program will start execution of the
; loaded program from the specified starting address.
; The HI08 boot ROM program enables the following busses to download programs
; through the HI08 port:
;
; 1 - ISA          - Dual strobes non-multiplexed bus with negative strobe
;                  pulses duale positive request
;
```

```

; 2 - HC11          - Single strobe non-multiplexed bus with positive strobe
;                   pulse single negative request.
; 4 - i8051         - Dual strobes multiplexed bus with negative strobe pulses
;                   dual negative request.
; 5 - MC68302       - Single strobe non-multiplexed bus with negative strobe
;                   pulse single negative request.
;=====

```

MC68302HOSTLD

```

    movep    #0000000000111000,x:M_HPCR
                ; Configure the following conditions:
                ; HAP   = 0 Negative host acknowledge
                ; HRP   = 0 Negative host request
                ; HCSP  = 0 Negatice chip select input
                ; HD/HS = 0 Single strobe bus (R/W~ and DS)
                ; HMUX  = 0 Non multiplexed bus
                ; HASP  = 0 (address strobe polarity has no
                ;       meaning in non-multiplexed bus)
                ; HDSP  = 0 Negative data stobes polarity
                ; HROD  = 0 Host request is active when enabled
                ; spare = 0 This bit should be set to 0 for
                ;       future compatability
                ; HEN   = 0 When the HPCR register is modified
                ;       HEN should be cleared
                ; HAEN  = 1 Host acknowledge is enabled
                ; HREN  = 1 Host requests are enabled
                ; HCSEN = 1 Host chip select input enabled
                ; HA9EN = 0 (address 9 enable bit has no
                ;       meaning in non-multiplexed bus)
                ; HA8EN = 0 (address 8 enable bit has no
                ;       meaning in non-multiplexed bus)
                ; HGEN  = 0 Host GPIO pins are disabled

    bra      <HI08CONT
OMR1IS0
    jset #0,omr,HC11HOSTLD ; If MD:MC:MB:MA=1101, go load from HC11 Host
                        ; If MD:MC:MB:MA=1100, go load from ISA HOST

```

ISAHOSTLD

```

    movep    #0101000000011000,x:M_HPCR
                ; Configure the following conditions:
                ; HAP   = 0 Negative host acknowledge
                ; HRP   = 1 Positive host request
                ; HCSP  = 0 Negatice chip select input
                ; HD/HS = 1 Dual strobes bus (RD and WR)
                ; HMUX  = 0 Non multiplexed bus
                ; HASP  = 0 (address strobe polarity has no
                ;       meaning in non-multiplexed bus)
                ; HDSP  = 0 Negative data stobes polarity
                ; HROD  = 0 Host request is active when enabled
                ; spare = 0 This bit should be set to 0 for
                ;       future compatability
                ; HEN   = 0 When the HPCR register is modified
                ;       HEN should be cleared
                ; HAEN  = 0 Host acknowledge is disabled
                ; HREN  = 1 Host requests are enabled
                ; HCSEN = 1 Host chip select input enabled
                ; HA9EN = 0 (address 9 enable bit has no
                ;       meaning in non-multiplexed bus)

```

## Bootstrap Program

```

; HA8EN = 0 (address 8 enable bit has no
;           meaning non-multiplexed bus)
; HGEN  = 0 Host GPIO pins are disabled
bra      <HI08CONT
HC11HOSTLD
movep   #%0000001000011000,x:M_HPCR
; Configure the following conditions:
; HAP   = 0 Negative host acknowledge
; HRP   = 0 Negative host request
; HCSP  = 0 Negatice chip select input
; HD/HS = 0 Single strobe bus (R/W~ and DS)
; HMUX  = 0 Non multiplexed bus
; HASP  = 0 (address strobe polarity has no
;           meaning in non-multiplexed bus)
; HDSP  = 1 Negative data stobes polarity
; HROD  = 0 Host request is active when enabled
; spare = 0 This bit should be set to 0 for
;           future compatability
; HEN   = 0 When the HPCR register is modified
;           HEN should be cleared
; HAEN  = 0 Host acknowledge is disabled
; HREN  = 1 Host requests are enabled
; HCSEN = 1 Host chip select input enabled
; HA9EN = 0 (address 9 enable bit has no
;           meaning in non-multiplexed bus)
; HA8EN = 0 (address 8 enable bit has no
;           meaning in non-multiplexed bus)
; HGEN  = 0 Host GPIO pins are disabled
bra      <HI08CONT
I8051HOSTLD
movep   #%0001110000011110,x:M_HPCR
; Configure the following conditions:
; HAP   = 0 Negative host acknowledge
; HRP   = 0 Negatice host request
; HCSP  = 0 Negatice chip select input
; HD/HS = 1 Dual strobes bus (RD and WR)
; HMUX  = 1 Multiplexed bus
; HASP  = 1 Positive address strobe polarity
; HDSP  = 0 Negative data stobes polarity
; HROD  = 0 Host request is active when enabled
; spare = 0 This bit should be set to 0 for
;           future compatability
; HEN   = 0 When the HPCR register is modified
;           HEN should be cleared
; HAEN  = 0 Host acknowledge is disabled
; HREN  = 1 Host requests are enabled
; HCSEN = 1 Host chip select input enabled
; HA9EN = 1 Enable address 9 input
; HA8EN = 1 Enable address 8 input
; HGEN  = 0 Host GPIO pins are disabled
HI08CONT
bset    #HEN,x:M_HPCR          ; Enable the HI08 to operate as host
; interface (set HEN=1)
jclr    #HRDF,x:M_HSR,*       ; wait for the program length to be
; written
movep   x:M_HRX,a0
jclr    #HRDF,x:M_HSR,*       ; wait for the program starting address
```

```

; to be written
    movep    x:M_HRX,r0
    move     r0,r1
    do       a0,HI08LOOP           ; set a loop with the downloaded length
HI08LL
    jset     #HRDF,x:M_HSR,HI08NW ; If new word was loaded then jump to
                                ; read that word
    jclr     #HF0,x:M_HSR,HI08LL  ; If HF0=0 then continue with the
                                ; downloading
    enddo
    bra      <HI08LOOP
HI08NW
    movep    x:M_HRX,p:(r0)+      ; Move the new word into its destination
                                ; location in the program RAM
    nop
    ; pipeline delay
HI08LOOP
    bra      <FINISH
;=====
EPRSCILD
    jclr     #1,omr,EPROMLD       ; If MD:MC:MB:MA=1001, go load from EPROM
;    jset     #0,omr,SCILD        ; If MD:MC:MB:MA=1011, reserved, default to SCI
;=====
; This is the routine that loads from the SCI.
; MD:MC:MB:MA=1010 - external SCI clock
SCILD
    movep    #$0302,X:M_SCR       ; Configure SCI Control Reg
    movep    #$C000,X:M_SCCR      ; Configure SCI Clock Control Reg
    movep    #7,X:M_PCRE         ; Configure SCLK, TXD and RXD

    do #6,_LOOP6                ; get 3 bytes for number of
                                ; program words and 3 bytes
                                ; for the starting address
    jclr     #2,X:M_SSR,*         ; Wait for RDRF to go high
    movep    X:M_SRXL,A2         ; Put 8 bits in A2
    jclr     #1,X:M_SSR,*         ; Wait for TDRE to go high
    movep    A2,X:M_STXL         ; echo the received byte
    asr     #8,a,a
_LOOP6
    move     a1,r0                ; starting address for load
    move     a1,r1                ; save starting address

    do a0,_LOOP7                ; Receive program words
    do #3,_LOOP8
    jclr     #2,X:M_SSR,*         ; Wait for RDRF to go high
    movep    X:M_SRXL,A2         ; Put 8 bits in A2
    jclr     #1,X:M_SSR,*         ; Wait for TDRE to go high
    movep    a2,X:M_STXL         ; echo the received byte
    asr     #8,a,a
_LOOP8
    movem   a1,p:(r0)+          ; Store 24-bit result in P mem.
    nop                          ; pipeline delay
_LOOP7
    bra     <FINISH              ; Boot from SCI done
;=====
; This is the routine that loads from external EPROM.

```

## Bootstrap Program

```
; MD:MC:MB:MA=1001

EPROMLD
    move #BOOT,r2          ; r2 = address of external EPROM
    movep #AARV,X:M_AAR1  ; aar1 configured for SRAM types of access

    do #6,_LOOP9          ; read number of words and starting address
    movem p:(r2)+,a2      ; Get the 8 LSB from ext. P mem.
    asr #8,a,a           ; Shift 8 bit data into A1
_LOOP9
    move a1,r0            ; starting address for load
    move a1,r1            ; save it in r1
                                ; a0 holds the number of words

    do a0,_LOOP10        ; read program words
    do #3,_LOOP11        ; Each instruction has 3 bytes
    movem p:(r2)+,a2      ; Get the 8 LSB from ext. P mem.
    asr #8,a,a           ; Shift 8 bit data into A1
_LOOP11
    movem a1,p:(r0)+      ; Store 24-bit result in P mem.
    nop                  ; pipeline delay
_LOOP10
                                ; and go get another 24-bit word.
                                ; Boot from EPROM done

;=====
FINISH

; This is the exit handler that returns execution to normal
; expanded mode and jumps to the RESET vector.

    andi #$0,ccr          ; Clear CCR as if RESET to 0.
    jmp (r1)              ; Then go to starting Prog addr.

;=====
; The following modes are reserved, some of which are used for internal testing
; Can be implemented in future.
;
OMR0XXX
    jclr #2,omr,EPRSCILD  ; If MD:MC:MB:MA=00xx, default to EPROM/SCI
    jclr #1,omr,OMR1ISO   ; IF MD:MC:MB:MA=010x, default to ISA/HC11
    jclr #0,omr,I8051HOSTLD ; If MD:MC:MB:MA=0110, default to 8051 Host
                                ; If MD:MC:MB:MA=0111, execute burnin test

;=====
; This mode is reserved for internal testing purposes
; MD:MC:MB:MA=0111

;-----
;;
;; burnin mode
;;
;; Intended to be used for burn-in test. Wake up from reset
;; with PINIT set for execution in maximum frequency.
;; All RAM locations are validated, arithmetic/logic operations
;; are validated (add, eor) and exercised (mac).
;; While all tests pass, the SCK0 pin will continue to toggle.
;; When the test fails the DSP enters DEBUG and stops execution.
```

```

;;
;;-----

;; get PATTERN pointer
clr b #PATTERNS,r6 ;; b is the error accumulator
move #<(NUM_PATTERNS-1),m6 ;; program runs forever in
;; cyclic form

;; configure SCK0 as gpio output. PRRC register is cleared at reset.
movep b,x:M_PDRC ;; clear GPIO data register
bset #SCK0,x:M_PPRC ;; Define SCK0 as output GPIO pin
;; SCK0 toggles means test pass

do #9,burn1
;;-----
;; test RAM
;; each pass checks 1 pattern
;;-----
move p:(r6)+,x1 ;; pattern for x memory
move p:(r6)+,x0 ;; pattern for y memory
move p:(r6)+,y0 ;; pattern for p memory

;; write pattern to all memory locations

if (EQUALDATA) ;; x/y ram symmetrical
;; write x and y memory
clr a #start_dram,r0 ;; start of x/y ram
move #>length_dram,n0 ;; length of x/y ram
rep n0
mac x0,x1,a x,l:(r0)+ ;; exercise mac, write x/y ram

else ;; x/y ram not symmetrical

;; write x memory
clr a #start_xram,r0 ;; start of xram
move #>length_xram,n0 ;; length of xram
rep n0
mac x0,y0,a x1,x:(r0)+ ;; exercise mac, write xram

;; write y memory
clr a #start_yram,r1 ;; start of yram
move #>length_yram,n1 ;; length of yram
rep n1
mac x1,y0,a x0,y:(r1)+ ;; exercise mac, write yram

endif

;; write p memory
clr a #start_pram,r2 ;; start of pram
move #>length_pram,n2 ;; length of pram
rep n2
move y0,p:(r2)+ ;; write pram

;; check memory contents

if (EQUALDATA) ;; x/y ram symmetrical

;; check dram

```

## Bootstrap Program

```
        clr a    #start_dram,r0        ;; restore pointer, clear a
        do      n0,_loopd
        move    x:(r0),a1              ;; a0=a2=0
        eor     x1,a
        add     a,b                    ;; accumulate error in b
        move    y:(r0)+,a1            ;; a0=a2=0
        eor     x0,a
        add     a,b                    ;; accumulate error in b
_loopd

        else

        ;; check xram
        clr a    #start_xram,r0       ;; restore pointer, clear a
        do      n0,_loopx
        move    x:(r0)+,a1            ;; a0=a2=0
        eor     x1,a
        add     a,b                    ;; accumulate error in b
_loopx

        ;; check yram
        clr a    #start_yram,r1       ;; restore pointer, clear a
        do      n1,_loopy
        move    y:(r1)+,a1            ;; a0=a2=0
        eor     x0,a
        add     a,b                    ;; accumulate error in b
_loopy

        endif

        ;; check pram
        clr a    #start_pram,r2       ;; restore pointer, clear a
        do      n2,_loopp
        move    p:(r2)+,a1            ;; a0=a2=0
        eor     y0,a
        add     a,b                    ;; accumulate error in b
_loopp

        ;;-----
        ;; toggle pin if no errors, stop execution otherwise.
        ;;-----
        beq     label1
        bclr    #SCK0,x:M_PDRC        ;; clear sck0 if error,
        enddo    ;; terminate the loop normally
        bra     <burn1                ;; and stop execution
label1

        bchg    #SCK0,x:M_PDRC        ;; toggle pin and keep on looping

burn1

        wait

        ORG PL:,PL:
PATTERNS    dsm      4                ;; align for correct modulo addressing
            ORG      PL:PATTERNS,PL:PATTERNS ;; Each value is written to all memories

            dc      $555555
            dc      $AAAAAA
            dc      $333333
```



```
dc      $F0F0F0
NUM_PATTERNS equ *-PATTERNS
end
```



## Programming Reference

This reference for programmers includes a table showing the addresses of all DSP memory-mapped peripherals, an exception priority table, and programming sheets for the major programmable DSP registers. The programming sheets are grouped in the following order: central processor, Phase Lock Loop (PLL), Host Interface (HI08), Enhanced Synchronous Serial Interface (ESSI), Serial Communication Interface (SCI), Timer, and GPIO. Each sheet provides room to write in the value of each bit and the hexadecimal value for each register. You can photocopy these sheets and reuse them for each application development project. For details on the instruction set of the DSP56300 family of DSPs, see the *DSP56300 Family Manual*.

- **Table B-2, *Internal I/O Memory Map (X Data Memory)***, on page B-2 lists the memory addresses of all internal peripherals.
- **Table B-3, *Interrupt Sources***, on page B-6 lists the interrupt starting addresses and sources.
- **Table B-4, *Interrupt Source Priorities Within an IPL***, on page B-8 lists the priorities of specific interrupts within interrupt priority levels.
- The programming sheets appear in this manual as figures (listed in **Table B-1**); they show the major programmable registers on the DSP56309.

**Table B-1. Guide to Programming Sheets**

Module	Programming Sheet	Page
Central Processor	<b>Figure B-1</b> , Status Register (SR)	page B-10
	<b>Figure B-2</b> , Operating Mode Register (OMR)	page B-11
IPR	<b>Figure B-3</b> , Interrupt Priority Register-Peripherals (IPRP)	page B-12
	<b>Figure B-3</b> , Interrupt Priority Register-Peripherals (IPRP)	page B-12
PLL	<b>Figure B-4</b> , Phase-Locked Loop Control Register (PCTL)	page B-13
BIU	<b>Figure B-5</b> , Bus Control Register (BCR)	page B-14
	<b>Figure B-6</b> , DRAM Control Register (DCR)	page B-15
	<b>Figure B-7</b> , Address Attribute Registers (AAR[3-0])	page B-16
DMA	<b>Figure B-8</b> , DMA Control Registers 5-0 (DCR[5-0])	page B-17

**Table B-1.** Guide to Programming Sheets (Continued)

HI08	<b>Figure B-9</b> , Host Transmit Data Register	<b>page B-18</b>
	<b>Figure B-10</b> , Host Base Address and Host Port Control Registers	<b>page B-19</b>
	<b>Figure B-11</b> , Host Control Register	<b>page B-20</b>
	<b>Figure B-12</b> , Interrupt Control and Command Vector Registers	<b>page B-21</b>
	<b>Figure B-13</b> , Interrupt Vector and Host Transmit Data Registers	<b>page B-22</b>
ESSI	<b>Figure B-14</b> , ESSI Control Register A (CRA)	<b>page B-23</b>
	<b>Figure B-15</b> , ESSI Control Register B (CRB)	<b>page B-24</b>
	<b>Figure B-16</b> , ESSI Transmit and Receive Slot Mask Registers (TSM, RSM)	<b>page B-25</b>
SCI	<b>Figure B-17</b> , SCI Control Register (SCR)	<b>page B-26</b>
	<b>Figure B-18</b> , SCI Clock Control Registers (SCCR)	<b>page B-27</b>
Timers	<b>Figure B-19</b> , Timer Prescaler Load Register (TPLR)	<b>page B-28</b>
	<b>Figure B-20</b> , Timer Control/Status Register (TCSR)	<b>page B-29</b>
	<b>Figure B-21</b> , Timer Load, Compare, and Count Registers (TLR, TCPR, TCR)	<b>page B-30</b>
GPIO	<b>Figure B-22</b> , Host Data Direction and Host Data Registers (HDDR, HDR)	<b>page B-31</b>
	<b>Figure B-23</b> , Port C Registers (PCRC, PRRC, PDRC)	<b>page B-32</b>
	<b>Figure B-24</b> , Port D Registers (PCRD, PRRD, PDRD)	<b>page B-33</b>
	<b>Figure B-25</b> , Port E Registers (PCRE, PRRE, PDRE)	<b>page B-34</b>

## B.1 Internal I/O Memory Map

**Table B-2.** Internal I/O Memory Map (X Data Memory)

Peripheral	16-Bit Address	24-Bit Address	Register Name
IPR	\$FFFF	\$FFFFFFF	Interrupt Priority Register Core (IPRC)
	\$FFFE	\$FFFFFFE	Interrupt Priority Register Peripheral (IPRP)
PLL	\$FFFD	\$FFFFFFD	PLL Control Register (PCTL)
OnCE	\$FFFC	\$FFFFFFC	OnCE GDB Register (OGDB)
BIU	\$FFFB	\$FFFFFFB	Bus Control Register (BCR)
	\$FFFA	\$FFFFFFA	DRAM Control Register (DCR)
	\$FFF9	\$FFFFFF9	Address Attribute Register 0 (AAR0)
	\$FFF8	\$FFFFFF8	Address Attribute Register 1 (AAR1)
	\$FFF7	\$FFFFFF7	Address Attribute Register 2 (AAR2)
	\$FFF6	\$FFFFFF6	Address Attribute Register 3 (AAR3)
	\$FFF5	\$FFFFFF5	ID Register (IDR)

**Table B-2.** Internal I/O Memory Map (Continued)(X Data Memory)

Peripheral	16-Bit Address	24-Bit Address	Register Name
DMA	\$FFF4	\$FFFFFF4	DMA Status Register (DSTR)
	\$FFF3	\$FFFFFF3	DMA Offset Register 0 (DOR0)
	\$FFF2	\$FFFFFF2	DMA Offset Register 1 (DOR1)
	\$FFF1	\$FFFFFF1	DMA Offset Register 2 (DOR2)
	\$FFF0	\$FFFFFF0	DMA Offset Register 3 (DOR3)
DMA0	\$FFE F	\$FFFFEF	DMA Source Address Register (DSR0)
	\$FFE E	\$FFFFEE	DMA Destination Address Register (DDR0)
	\$FFE D	\$FFFFED	DMA Counter (DCO0)
	\$FFE C	\$FFFFEC	DMA Control Register (DCR0)
DMA1	\$FFE B	\$FFFFEB	DMA Source Address Register (DSR1)
	\$FFE A	\$FFFFEA	DMA Destination Address Register (DDR1)
	\$FFE 9	\$FFFFE9	DMA Counter (DCO1)
	\$FFE 8	\$FFFFE8	DMA Control Register (DCR1)
DMA2	\$FFE 7	\$FFFFE7	DMA Source Address Register (DSR2)
	\$FFE 6	\$FFFFE6	DMA Destination Address Register (DDR2)
	\$FFE 5	\$FFFFE5	DMA Counter (DCO2)
	\$FFE 4	\$FFFFE4	DMA Control Register (DCR2)
DMA3	\$FFE 3	\$FFFFE3	DMA Source Address Register (DSR3)
	\$FFE 2	\$FFFFE2	DMA Destination Address Register (DDR3)
	\$FFE 1	\$FFFFE1	DMA Counter (DCO3)
	\$FFE 0	\$FFFFE0	DMA Control Register (DCR3)
DMA4	\$FFD F	\$FFFFDF	DMA Source Address Register (DSR4)
	\$FFD E	\$FFFFDE	DMA Destination Address Register (DDR4)
	\$FFD D	\$FFFFDD	DMA Counter (DCO4)
	\$FFD C	\$FFFFDC	DMA Control Register (DCR4)
DMA5	\$FFD B	\$FFFFDB	DMA Source Address Register (DSR5)
	\$FFD A	\$FFFFDA	DMA Destination Address Register (DDR5)
	\$FFD 9	\$FFFFD9	DMA Counter (DCO5)
	\$FFD 8	\$FFFFD8	DMA Control Register (DCR5)

**Table B-2. Internal I/O Memory Map (Continued)(X Data Memory)**

Peripheral	16-Bit Address	24-Bit Address	Register Name
	\$FFD7	\$FFFFD7	Reserved
	\$FFD6	\$FFFFD6	Reserved
	\$FFD5	\$FFFFD5	Reserved
	\$FFD4	\$FFFFD4	Reserved
	\$FFD3	\$FFFFD3	Reserved
	\$FFD2	\$FFFFD2	Reserved
	\$FFD1	\$FFFFD1	Reserved
	\$FFD0	\$FFFFD0	Reserved
	\$FFCF	\$FFFFCF	Reserved
	\$FFCE	\$FFFFCE	Reserved
	\$FFCD	\$FFFFCD	Reserved
	\$FFCC	\$FFFFCC	Reserved
	\$FFCB	\$FFFFCB	Reserved
	\$FFCA	\$FFFFCA	Reserved
Port B	\$FFC9	\$FFFFC9	Host Port GPIO Data Register (HDR)
	\$FFC8	\$FFFFC8	Host Port GPIO Direction Register (HDDR)
HI08	\$FFC7	\$FFFFC7	Host Transmit Register (HTX)
	\$FFC6	\$FFFFC6	Host Receive Register (HRX)
	\$FFC5	\$FFFFC5	Host Base Address Register (HBAR)
	\$FFC4	\$FFFFC4	Host Port Control Register (HPCR)
	\$FFC3	\$FFFFC3	Host Status Register (HSR)
	\$FFC2	\$FFFFC2	Host Control Register (HCR)
	\$FFC1	\$FFFFC1	Reserved
	\$FFC0	\$FFFFC0	Reserved
Port C	\$FFBF	\$FFFFBF	Port C Control Register (PCRC)
	\$FFBE	\$FFFFBE	Port C Direction Register (PRRC)
	\$FFBD	\$FFFFBD	Port C GPIO Data Register (PDRC)

**Table B-2.** Internal I/O Memory Map (Continued)(X Data Memory)

Peripheral	16-Bit Address	24-Bit Address	Register Name
ESSI 0	\$FFBC	\$FFFFBC	ESSI 0 Transmit Data Register 0 (TX00)
	\$FFBB	\$FFFFBB	ESSI 0 Transmit Data Register 1 (TX01)
	\$FFBA	\$FFFFBA	ESSI 0 Transmit Data Register 2 (TX02)
	\$FFB9	\$FFFFB9	ESSI 0 Time Slot Register (TSR0)
	\$FFB8	\$FFFFB8	ESSI 0 Receive Data Register (RX0)
	\$FFB7	\$FFFFB7	ESSI 0 Status Register (SSISR0)
	\$FFB6	\$FFFFB6	ESSI 0 Control Register B (CRB0)
	\$FFB5	\$FFFFB5	ESSI 0 Control Register A (CRA0)
	\$FFB4	\$FFFFB4	ESSI 0 Transmit Slot Mask Register A (TSMA0)
	\$FFB3	\$FFFFB3	ESSI 0 Transmit Slot Mask Register B (TSMB0)
	\$FFB2	\$FFFFB2	ESSI 0 Receive Slot Mask Register A (RSMA0)
	\$FFB1	\$FFFFB1	ESSI 0 Receive Slot Mask Register B (RSMB0)
	\$FFB0	\$FFFFB0	Reserved
Port D	\$FFAF	\$FFFFAF	Port D Control Register (PCRD)
	\$FFAE	\$FFFFAE	Port D Direction Register (PRRD)
	\$FFAD	\$FFFFAD	Port D GPIO Data Register (PDRD)
ESSI 1	\$FFAC	\$FFFFAC	ESSI 1 Transmit Data Register 0 (TX10)
	\$FFAB	\$FFFFAB	ESSI 1 Transmit Data Register 1 (TX11)
	\$FFAA	\$FFFFAA	ESSI 1 Transmit Data Register 2 (TX12)
	\$FFA9	\$FFFFA9	ESSI 1 Time Slot Register (TSR1)
	\$FFA8	\$FFFFA8	ESSI 1 Receive Data Register (RX1)
	\$FFA7	\$FFFFA7	ESSI 1 Status Register (SSISR1)
	\$FFA6	\$FFFFA6	ESSI 1 Control Register B (CRB1)
	\$FFA5	\$FFFFA5	ESSI 1 Control Register A (CRA1)
	\$FFA4	\$FFFFA4	ESSI 1 Transmit Slot Mask Register A (TSMA1)
	\$FFA3	\$FFFFA3	ESSI 1 Transmit Slot Mask Register B (TSMB1)
	\$FFA2	\$FFFFA2	ESSI 1 Receive Slot Mask Register A (RSMA1)
	\$FFA1	\$FFFFA1	ESSI 1 Receive Slot Mask Register B (RSMB1)
	\$FFA0	\$FFFFA0	Reserved
Port E	\$FF9F	\$FFFF9F	Port E Control Register (PCRE)
	\$FF9E	\$FFFF9E	Port E Direction Register (PRRE)
	\$FF9D	\$FFFF9D	Port E GPIO Data Register (PDRE)

**Table B-2. Internal I/O Memory Map (Continued)(X Data Memory)**

Peripheral	16-Bit Address	24-Bit Address	Register Name
SCI	\$FF9C	\$FFFF9C	SCI Control Register (SCR)
	\$FF9B	\$FFFF9B	SCI Clock Control Register (SCCR)
	\$FF9A	\$FFFF9A	SCI Receive Data Register—High (SRXH)
	\$FF99	\$FFFF99	SCI Receive Data Register—Middle (SRXM)
	\$FF98	\$FFFF98	SCI Receive Data Register—Low (SRXL)
	\$FF97	\$FFFF97	SCI Transmit Data Register—High (STXH)
	\$FF96	\$FFFF96	SCI Transmit Data Register—Middle (STXM)
	\$FF95	\$FFFF95	SCI Transmit Data Register—Low (STXL)
	\$FF94	\$FFFF94	SCI Transmit Address Register (STXA)
	\$FF93	\$FFFF93	SCI Status Register (SSR)
	\$FF92	\$FFFF92	Reserved
	\$FF91	\$FFFF91	Reserved
	\$FF90	\$FFFF90	Reserved
Triple Timer	\$FF8F	\$FFFF8F	Timer 0 Control/Status Register (TCSR0)
	\$FF8E	\$FFFF8E	Timer 0 Load Register (TLR0)
	\$FF8D	\$FFFF8D	Timer 0 Compare Register (TCPR0)
	\$FF8C	\$FFFF8C	Timer 0 Count Register (TCR0)
	\$FF8B	\$FFFF8B	Timer 1 Control/Status Register (TCSR1)
	\$FF8A	\$FFFF8A	Timer 1 Load Register (TLR1)
	\$FF89	\$FFFF89	Timer 1 Compare Register (TCPR1)
	\$FF88	\$FFFF88	Timer 1 Count Register (TCR1)
	\$FF87	\$FFFF87	Timer 2 Control/Status Register (TCSR2)
	\$FF86	\$FFFF86	Timer 2 Load Register (TLR2)
	\$FF85	\$FFFF85	Timer 2 Compare Register (TCPR2)
	\$FF84	\$FFFF84	Timer 2 Count Register (TCR2)
	\$FF83	\$FFFF83	Timer Prescaler Load Register (TPLR)
	\$FF82	\$FFFF82	Timer Prescaler Count Register (TPCR)
	\$FF81	\$FFFF81	Reserved
	\$FF80	\$FFFF80	Reserved

## B.2 Interrupt Sources and Priorities

**Table B-3. Interrupt Sources**

Interrupt Starting Address	Interrupt Priority Level Range	Interrupt Source
VBA:\$00	3	Hardware RESET



Table B-3. Interrupt Sources (Continued)

Interrupt Starting Address	Interrupt Priority Level Range	Interrupt Source
VBA:\$02	3	Stack Error
VBA:\$04	3	Illegal Instruction
VBA:\$06	3	Debug Request Interrupt
VBA:\$08	3	Trap
VBA:\$0A	3	Non-Maskable Interrupt ( $\overline{\text{NMI}}$ )
VBA:\$0C	3	Reserved
VBA:\$0E	3	Reserved
VBA:\$10	0–2	$\overline{\text{IRQA}}$
VBA:\$12	0–2	$\overline{\text{IRQB}}$
VBA:\$14	0–2	$\overline{\text{IRQC}}$
VBA:\$16	0–2	$\overline{\text{IRQD}}$
VBA:\$18	0–2	DMA Channel 0
VBA:\$1A	0–2	DMA Channel 1
VBA:\$1C	0–2	DMA Channel 2
VBA:\$1E	0–2	DMA Channel 3
VBA:\$20	0–2	DMA Channel 4
VBA:\$22	0–2	DMA Channel 5
VBA:\$24	0–2	Timer 0 Compare
VBA:\$26	0–2	Timer 0 Overflow
VBA:\$28	0–2	Timer 1 Compare
VBA:\$2A	0–2	Timer 1 Overflow
VBA:\$2C	0–2	Timer 2 Compare
VBA:\$2E	0–2	Timer 2 Overflow
VBA:\$30	0–2	ESSIO Receive Data
VBA:\$32	0–2	ESSIO Receive Data With Exception Status
VBA:\$34	0–2	ESSIO Receive Last Slot
VBA:\$36	0–2	ESSIO Transmit Data
VBA:\$38	0–2	ESSIO Transmit Data With Exception Status
VBA:\$3A	0–2	ESSIO Transmit Last Slot
VBA:\$3C	0–2	Reserved
VBA:\$3E	0–2	Reserved
VBA:\$40	0–2	ESSI1 Receive Data
VBA:\$42	0–2	ESSI1 Receive Data With Exception Status
VBA:\$44	0–2	ESSI1 Receive Last Slot

**Table B-3.** Interrupt Sources (Continued)

Interrupt Starting Address	Interrupt Priority Level Range	Interrupt Source
VBA:\$46	0–2	ESSI1 Transmit Data
VBA:\$48	0–2	ESSI1 Transmit Data With Exception Status
VBA:\$4A	0–2	ESSI1 Transmit Last Slot
VBA:\$4C	0–2	Reserved
VBA:\$4E	0–2	Reserved
VBA:\$50	0–2	SCI Receive Data
VBA:\$52	0–2	SCI Receive Data With Exception Status
VBA:\$54	0–2	SCI Transmit Data
VBA:\$56	0–2	SCI Idle Line
VBA:\$58	0–2	SCI Timer
VBA:\$5A	0–2	Reserved
VBA:\$5C	0–2	Reserved
VBA:\$5E	0–2	Reserved
VBA:\$60	0–2	Host Receive Data Full
VBA:\$62	0–2	Host Transmit Data Empty
VBA:\$64	0–2	Host Command (Default)
VBA:\$66	0–2	Reserved
:	:	:
VBA:\$FE	0–2	Reserved

**Table B-4.** Interrupt Source Priorities Within an IPL

Priority	Interrupt Source
Level 3 (Nonmaskable)	
Highest	Hardware $\overline{\text{RESET}}$
	Stack Error
	Illegal Instruction
	Debug Request Interrupt
	Trap
Lowest	Non-Maskable Interrupt
Levels 0, 1, 2 (Maskable)	
Highest	$\overline{\text{IRQA}}$ (External Interrupt)
	$\overline{\text{IRQB}}$ (External Interrupt)
	$\overline{\text{IRQC}}$ (External Interrupt)

**Table B-4.** Interrupt Source Priorities Within an IPL (Continued)

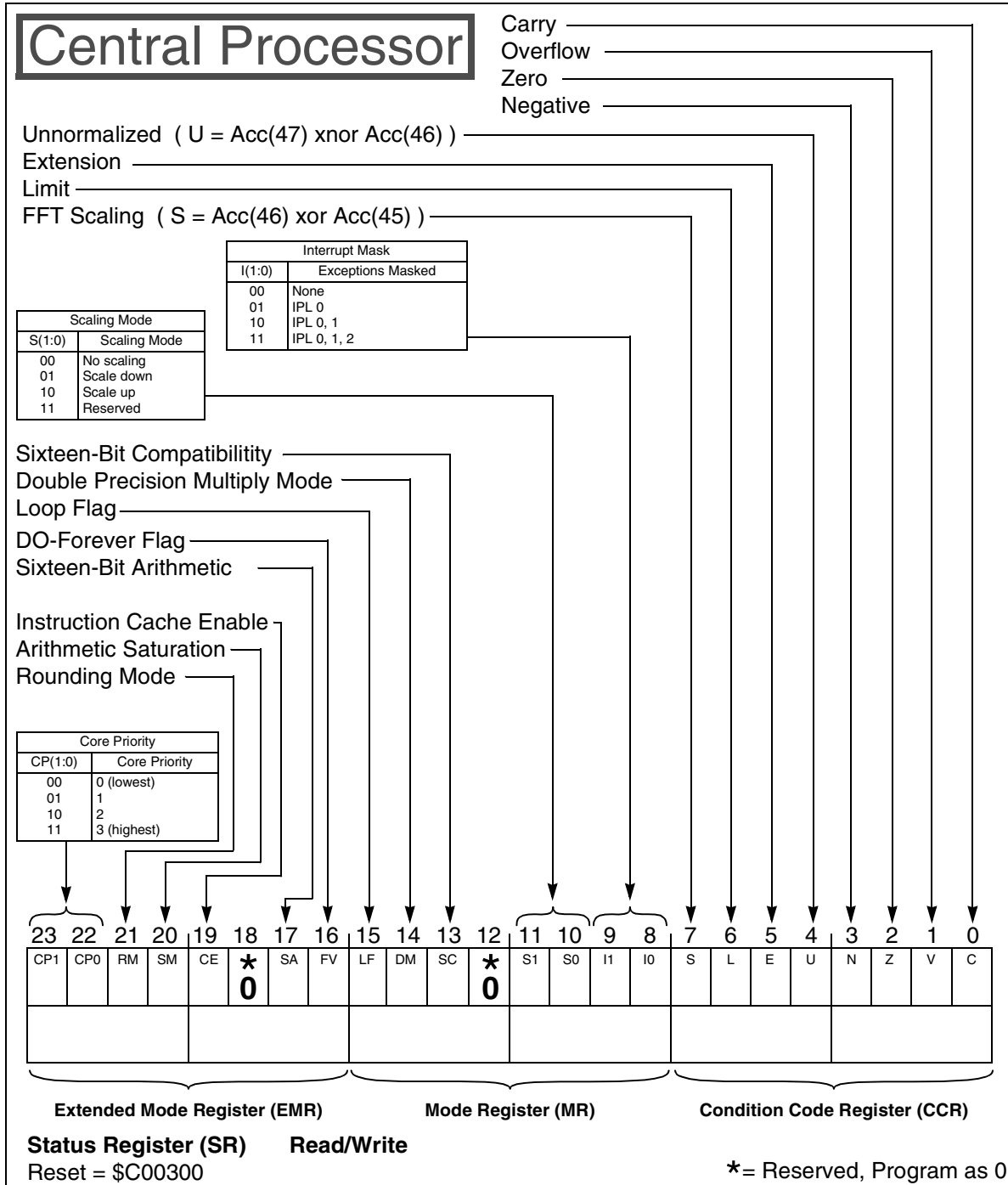
Priority	Interrupt Source
	$\overline{\text{IRQD}}$ (External Interrupt)
	DMA Channel 0 Interrupt
	DMA Channel 1 Interrupt
	DMA Channel 2 Interrupt
	DMA Channel 3 Interrupt
	DMA Channel 4 Interrupt
	DMA Channel 5 Interrupt
	Host Command Interrupt
	Host Transmit Data Empty
	Host Receive Data Full
	ESSIO RX Data with Exception Interrupt
	ESSIO RX Data Interrupt
	ESSIO Receive Last Slot Interrupt
	ESSIO TX Data With Exception Interrupt
	ESSIO Transmit Last Slot Interrupt
	ESSIO TX Data Interrupt
	ESSI1 RX Data With Exception Interrupt
	ESSI1 RX Data Interrupt
	ESSI1 Receive Last Slot Interrupt
	ESSI1 TX Data With Exception Interrupt
	ESSI1 Transmit Last Slot Interrupt
	ESSI1 TX Data Interrupt
	SCI Receive Data With Exception Interrupt
Lowest	SCI Receive Data
Highest	SCI Transmit Data
	SCI Idle Line
	SCI Timer
	Timer0 Overflow Interrupt
	Timer0 Compare Interrupt
	Timer1 Overflow Interrupt
	Timer1 Compare Interrupt
	Timer2 Overflow Interrupt
Lowest	Timer2 Compare Interrupt

## B.3 Programming Sheets

Application: \_\_\_\_\_ Date: \_\_\_\_\_

\_\_\_\_\_ Programmer: \_\_\_\_\_

Sheet 1 of 2



**Figure B-1. Status Register (SR)**

Application: \_\_\_\_\_

Date: \_\_\_\_\_

Programmer: \_\_\_\_\_

Sheet 2 of 2

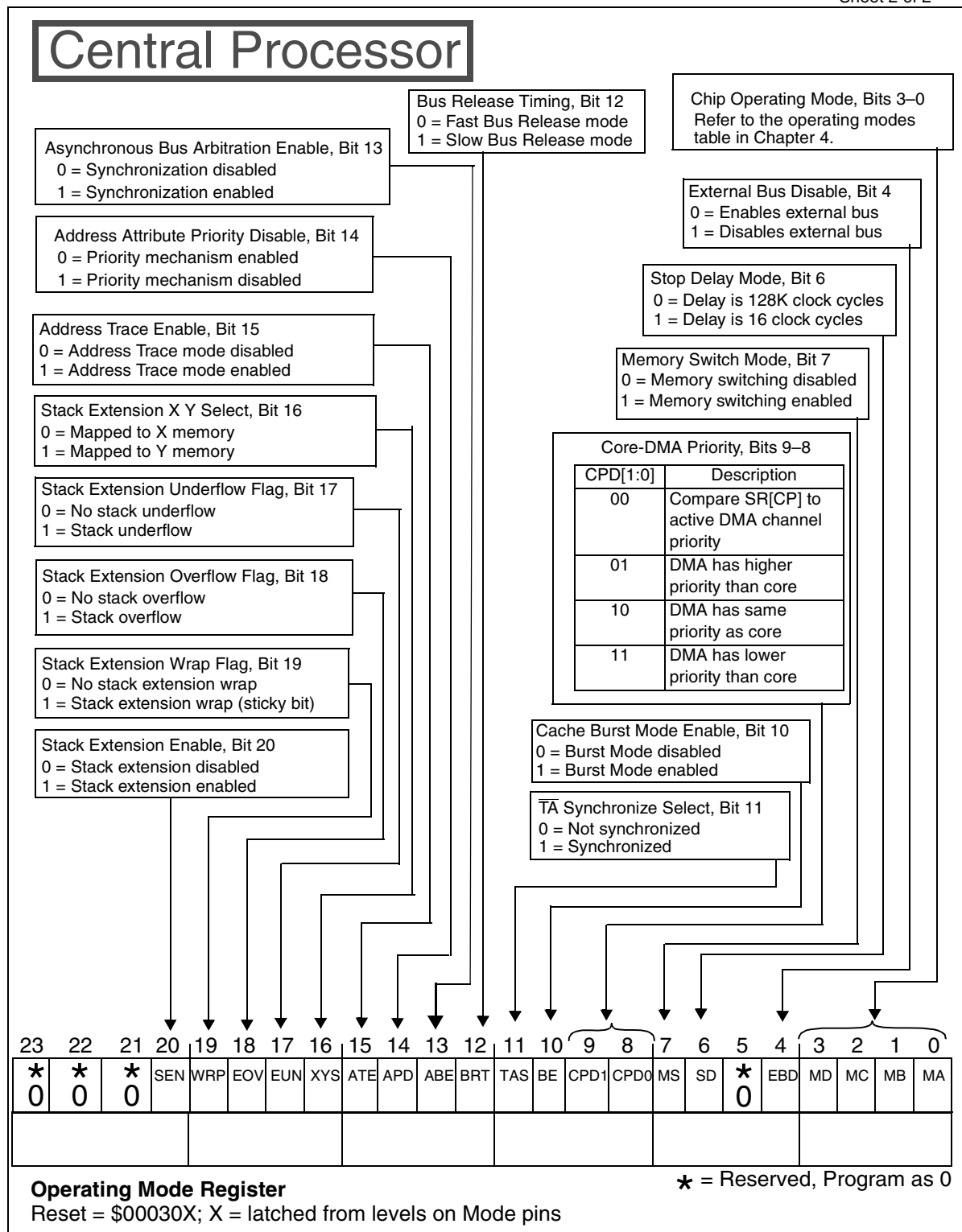
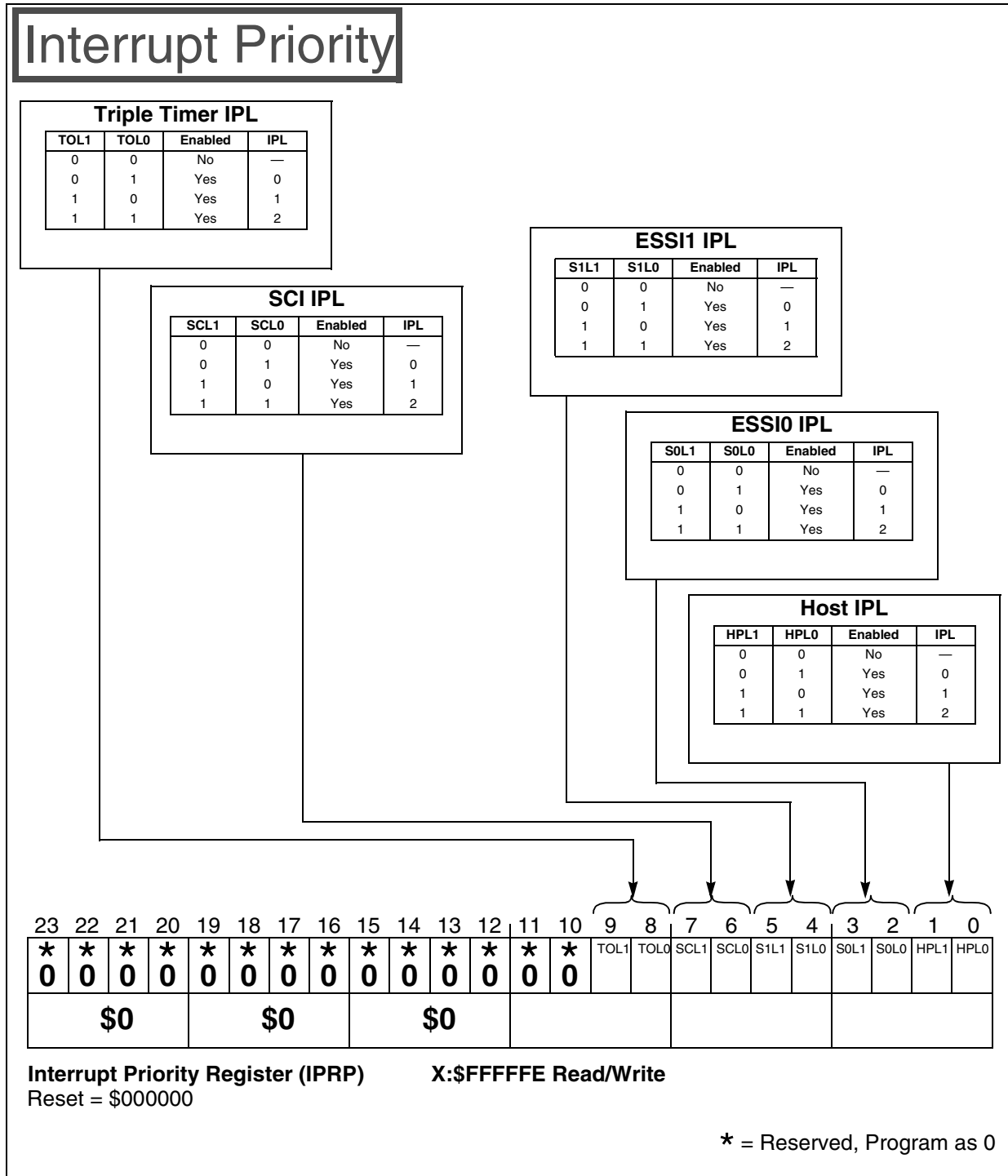


Figure B-2. Operating Mode Register (OMR)

Application: \_\_\_\_\_  
 \_\_\_\_\_

Date: \_\_\_\_\_

Programmer: \_\_\_\_\_



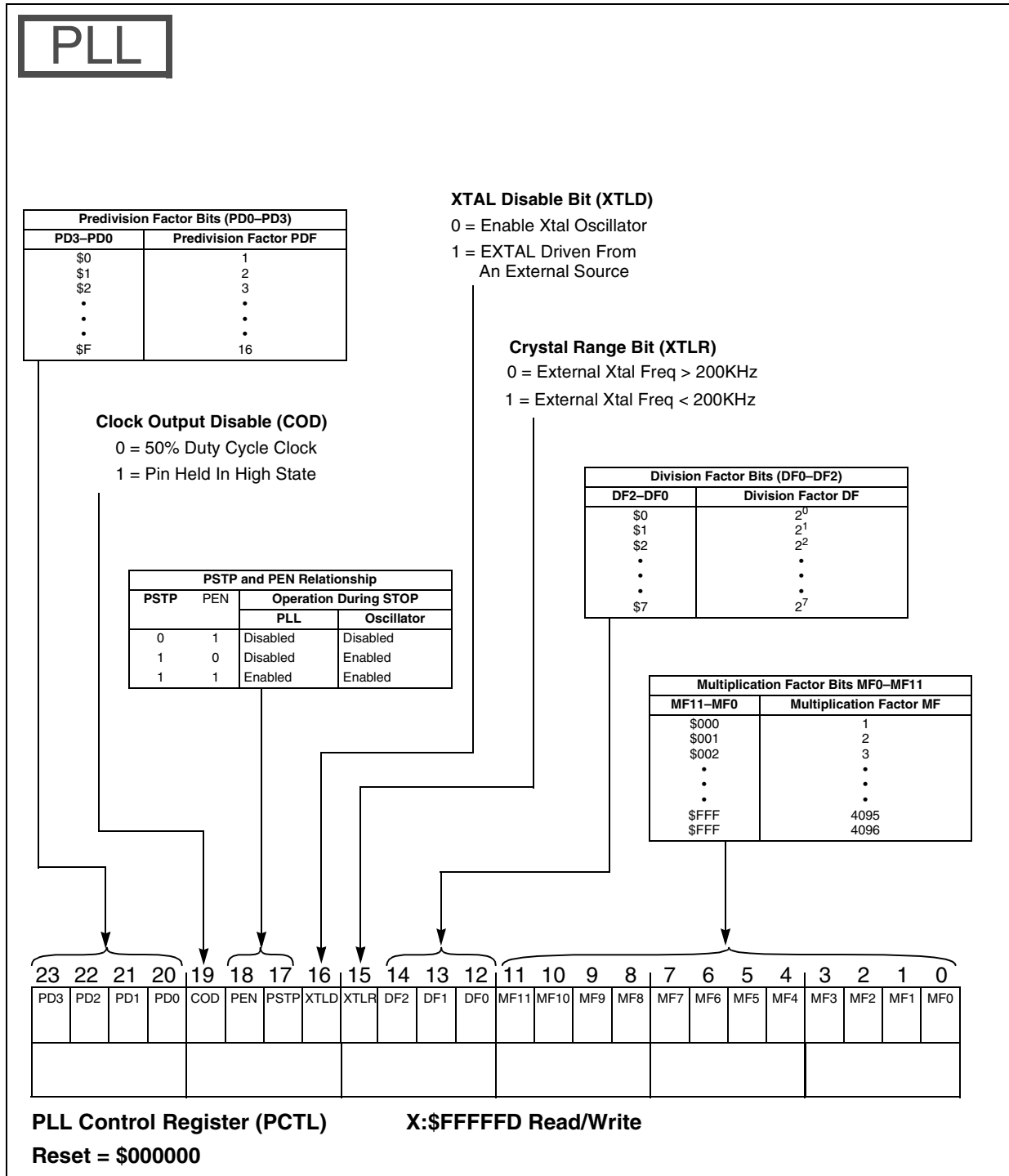
**Figure B-3. Interrupt Priority Register-Peripherals (IPRP)**

Application: \_\_\_\_\_  
 \_\_\_\_\_

Date: \_\_\_\_\_

Programmer: \_\_\_\_\_

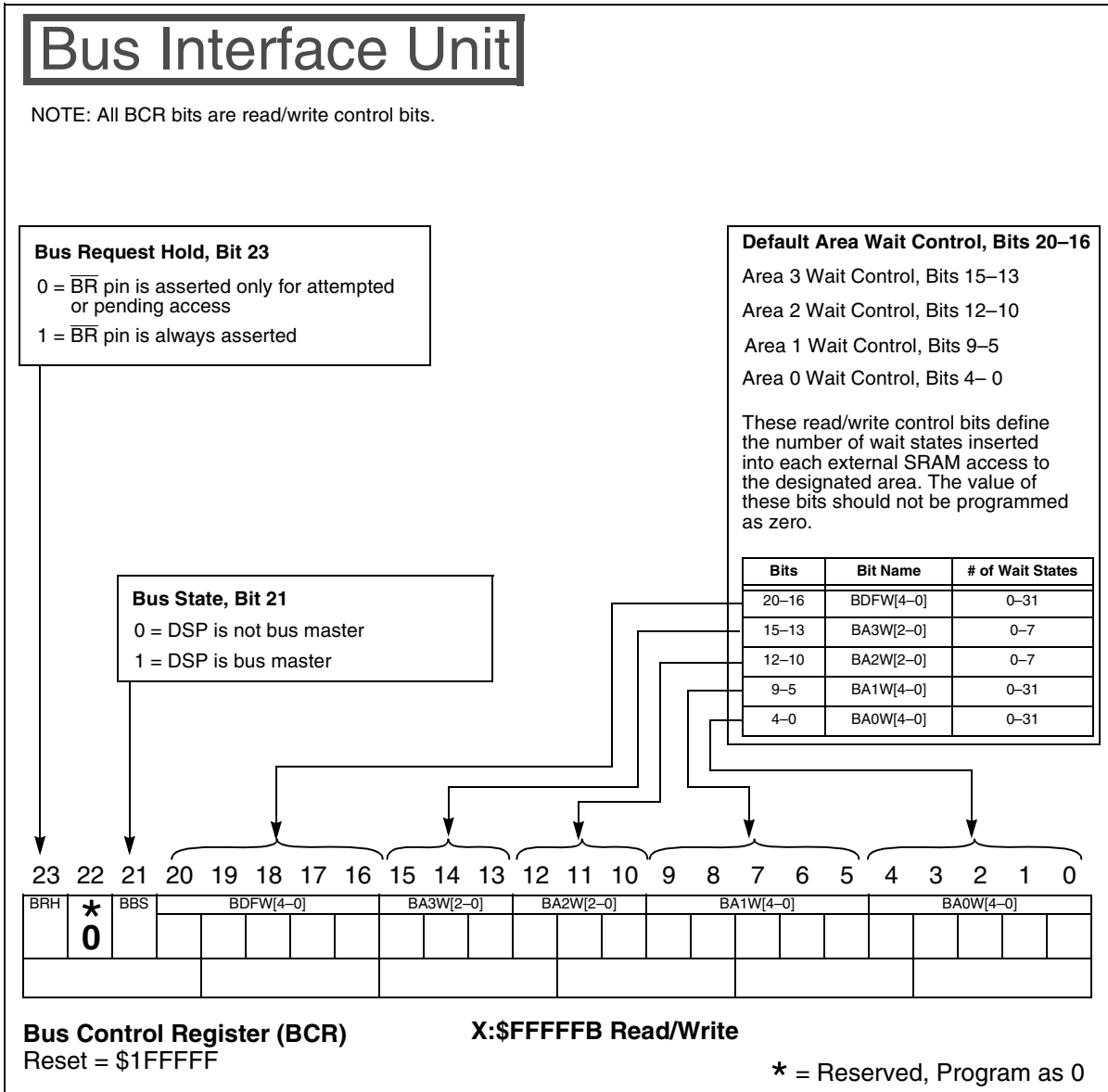
Sheet 1 of 1



Application: \_\_\_\_\_

Date: \_\_\_\_\_

Programmer: \_\_\_\_\_



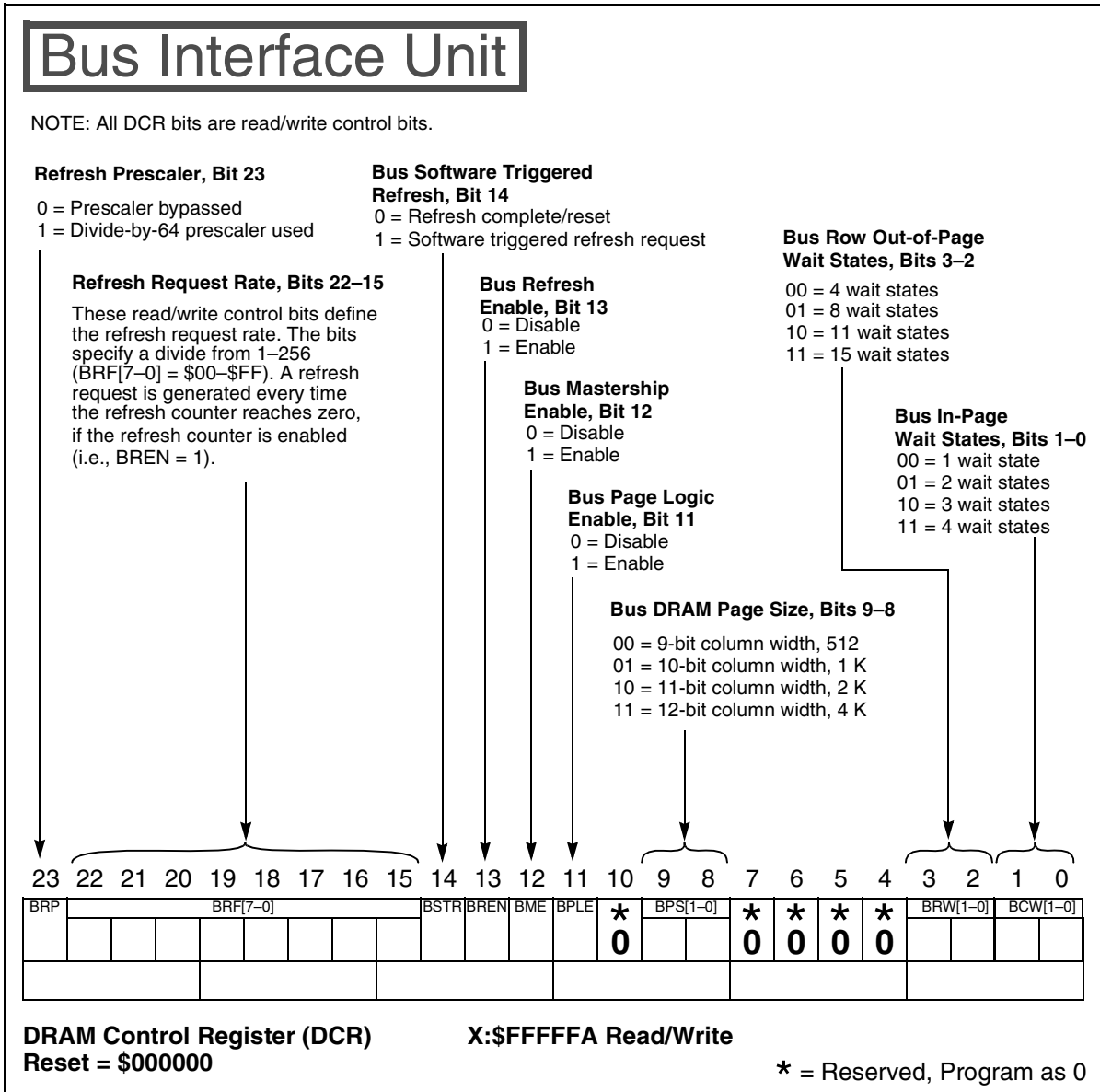
**Figure B-5.** Bus Control Register (BCR)



Application: \_\_\_\_\_  
 \_\_\_\_\_

Date: \_\_\_\_\_

Programmer: \_\_\_\_\_



**Figure B-6.** DRAM Control Register (DCR)

Application: \_\_\_\_\_

Date: \_\_\_\_\_

Programmer: \_\_\_\_\_

Sheet 3 of 3

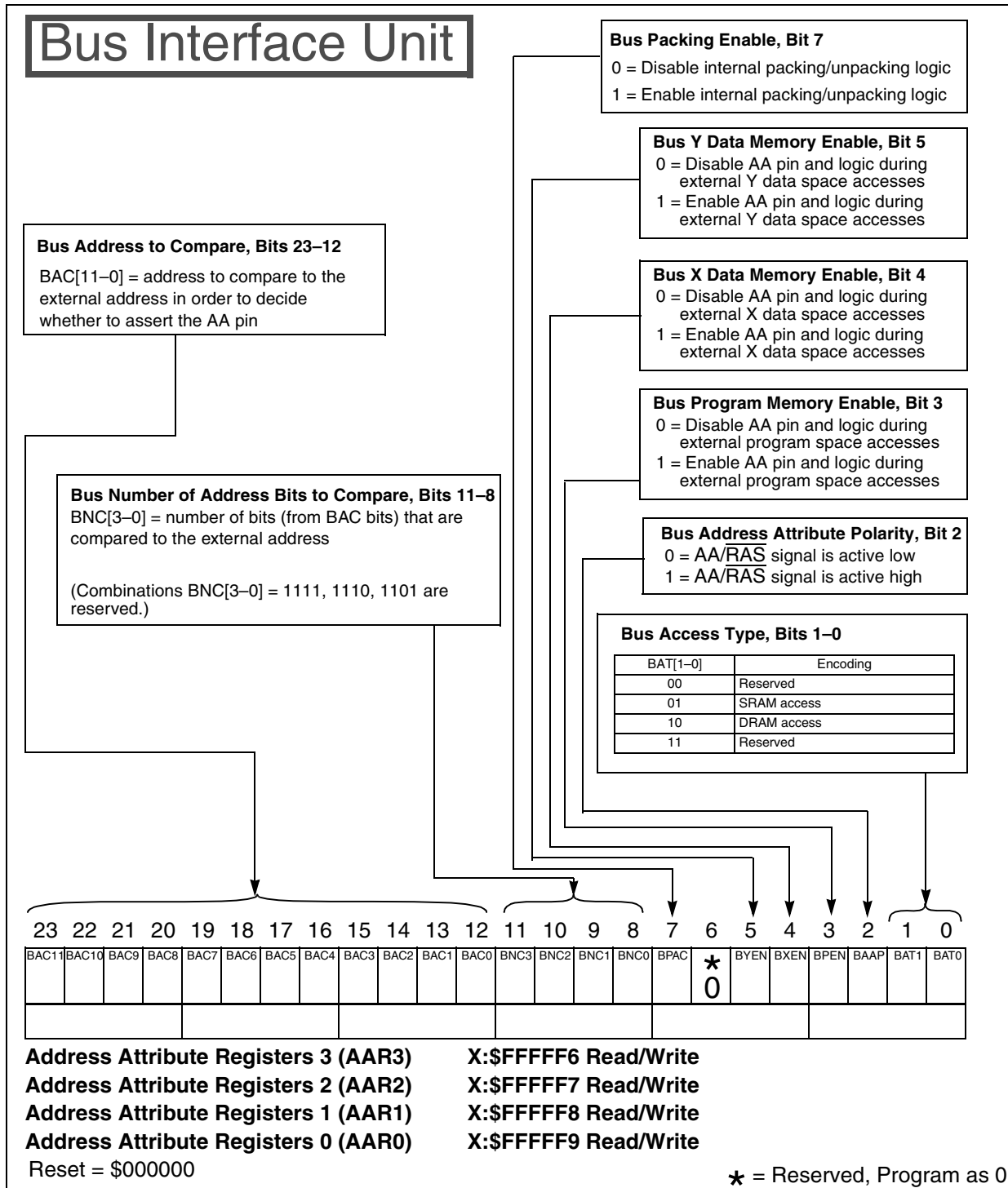


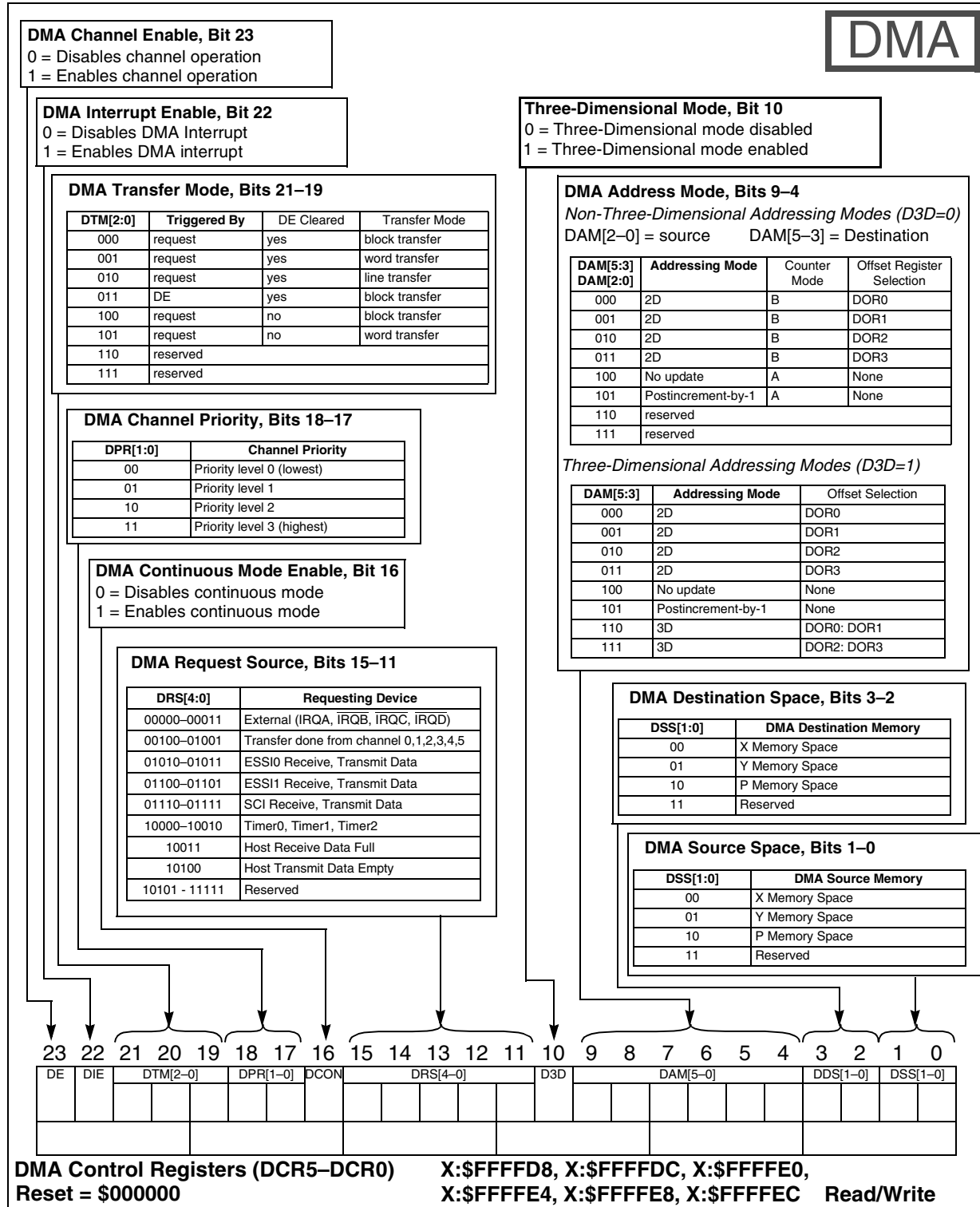
Figure B-7. Address Attribute Registers (AAR[3–0])

Application: \_\_\_\_\_

Date: \_\_\_\_\_

Programmer: \_\_\_\_\_

Sheet 1 of 1

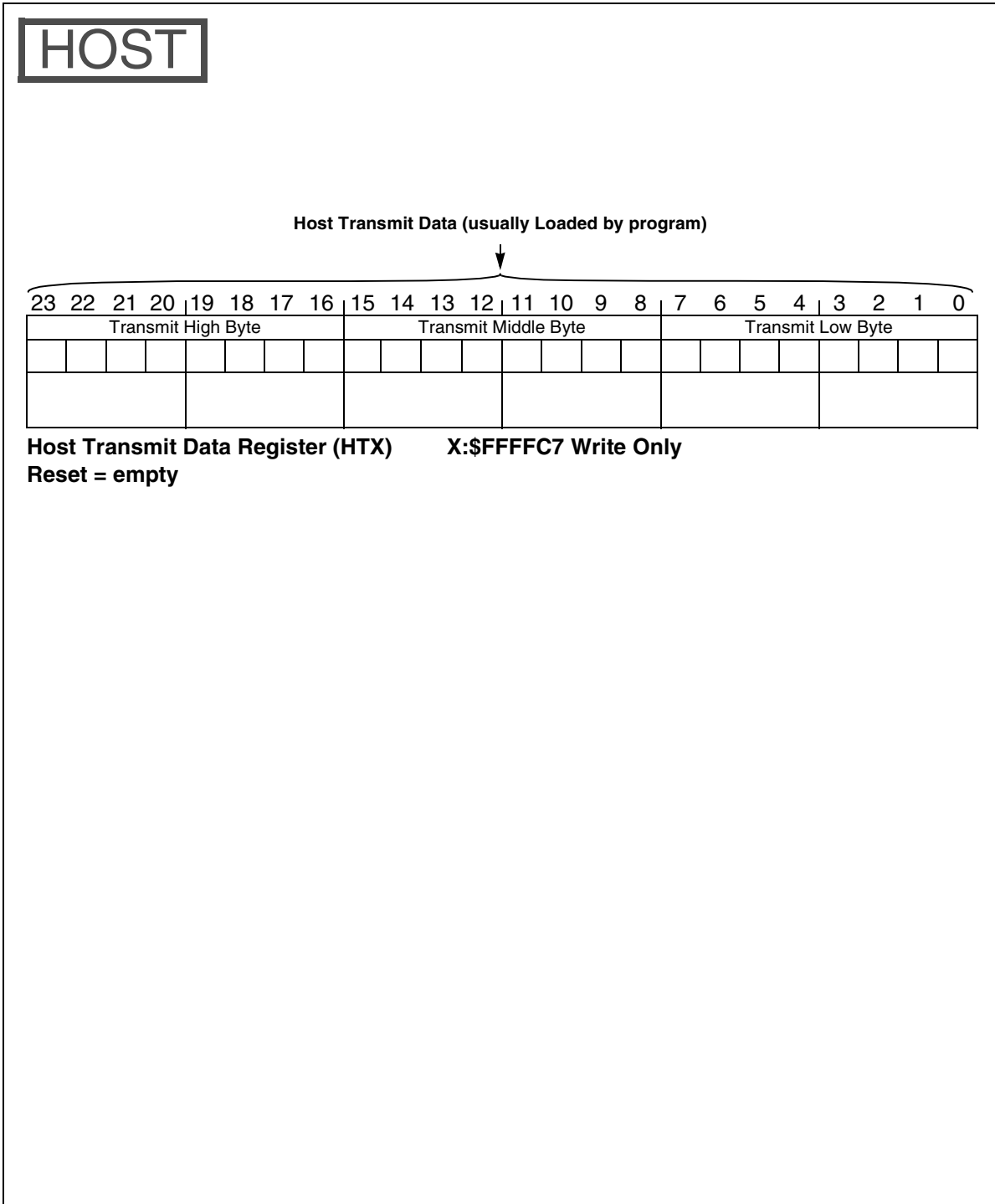


**Figure B-8. DMA Control Registers 5–0 (DCR[5–0])**

Application: \_\_\_\_\_  
 \_\_\_\_\_

Date: \_\_\_\_\_

Programmer: \_\_\_\_\_



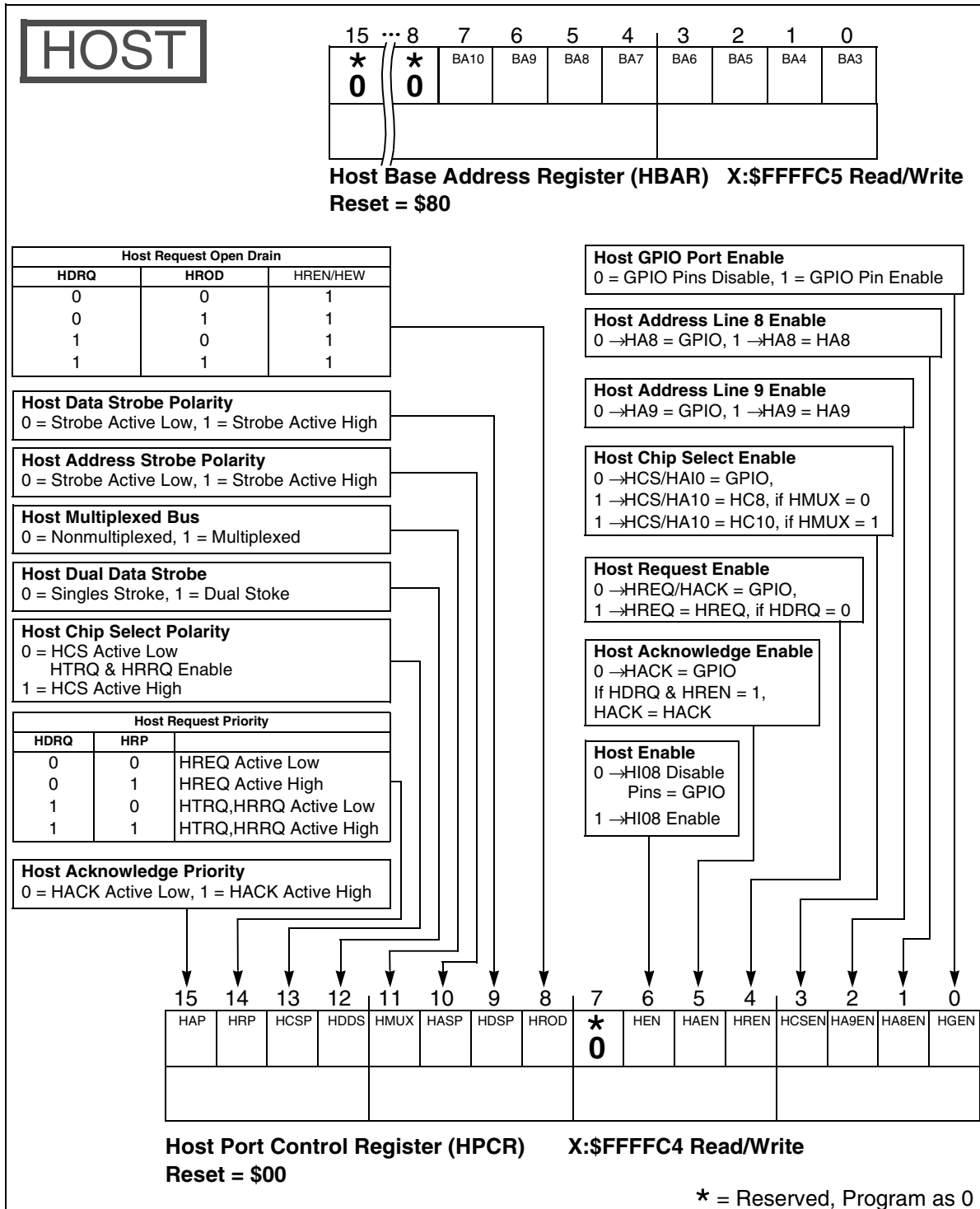
**Figure B-9.** Host Transmit Data Register

Application: \_\_\_\_\_

Date: \_\_\_\_\_

Programmer: \_\_\_\_\_

Sheet 2 of 5



Application: \_\_\_\_\_  
 \_\_\_\_\_

Date: \_\_\_\_\_  
 Programmer: \_\_\_\_\_

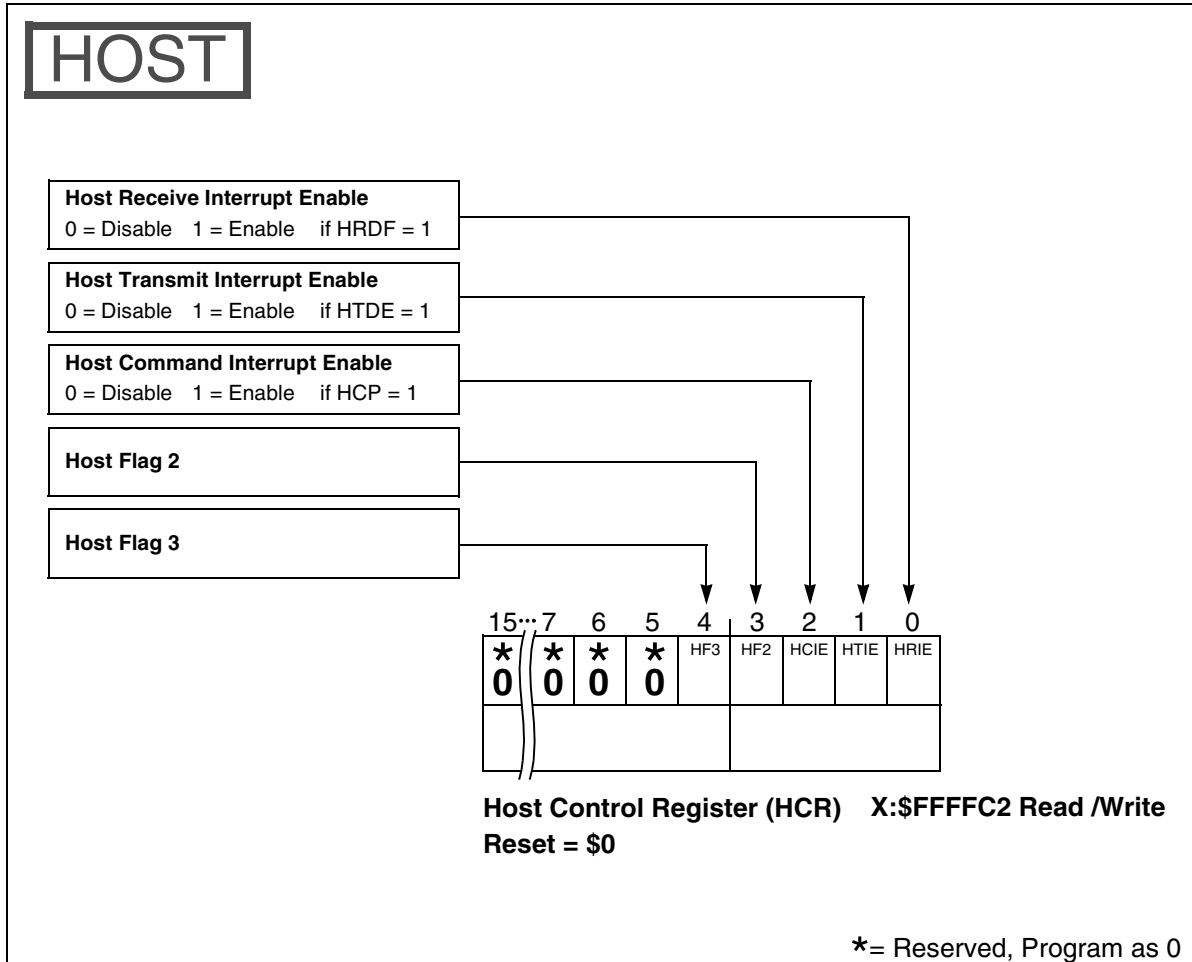
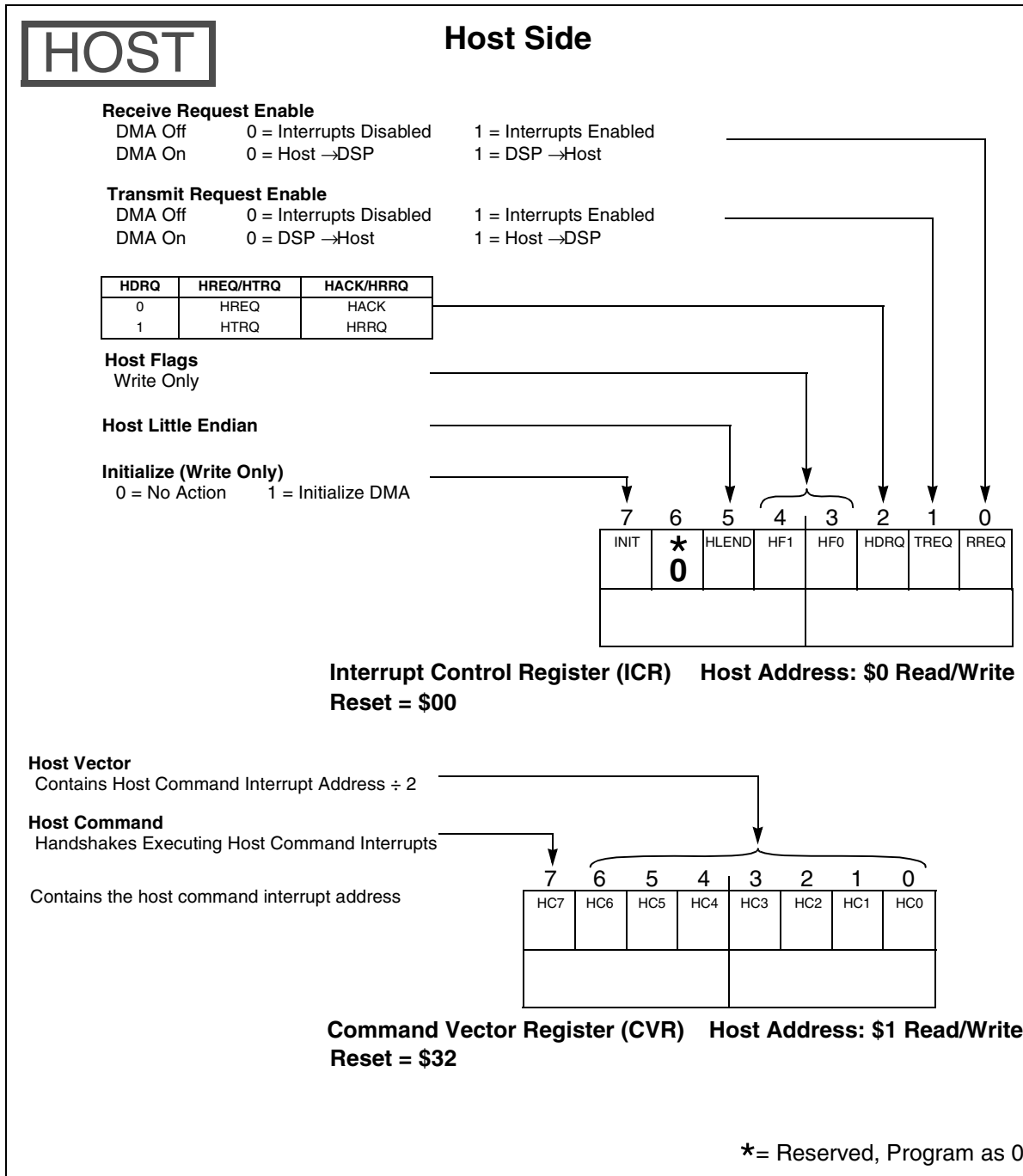


Figure B-11. Host Control Register

Application: \_\_\_\_\_  
 \_\_\_\_\_

Date: \_\_\_\_\_  
 Programmer: \_\_\_\_\_



**Figure B-12.** Interrupt Control and Command Vector Registers



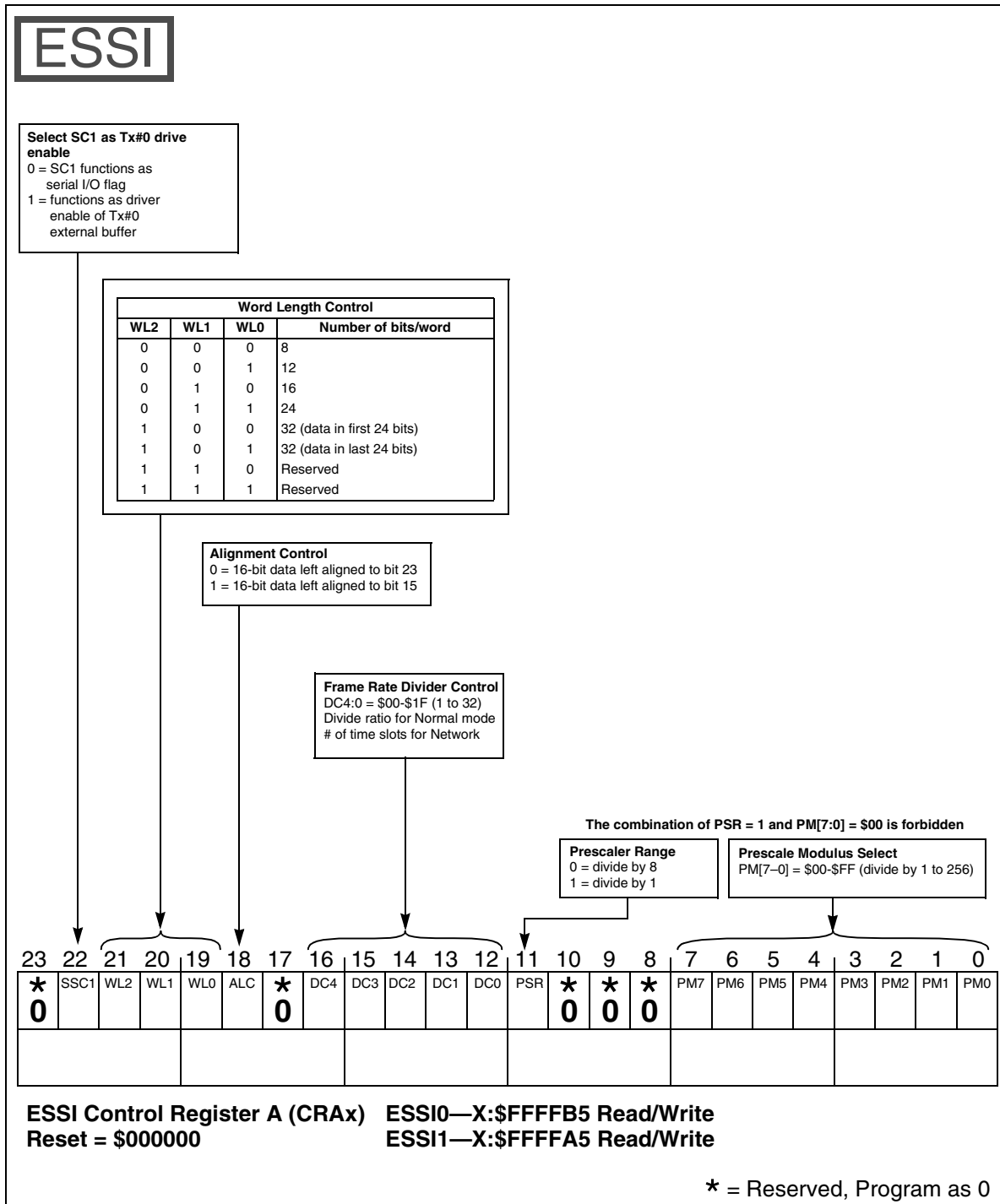


Application: \_\_\_\_\_  
 \_\_\_\_\_

Date: \_\_\_\_\_

Programmer: \_\_\_\_\_

Sheet 1 of 3



**Figure B-14.** ESSI Control Register A (CRA)

Application: \_\_\_\_\_

Date: \_\_\_\_\_

Programmer: \_\_\_\_\_

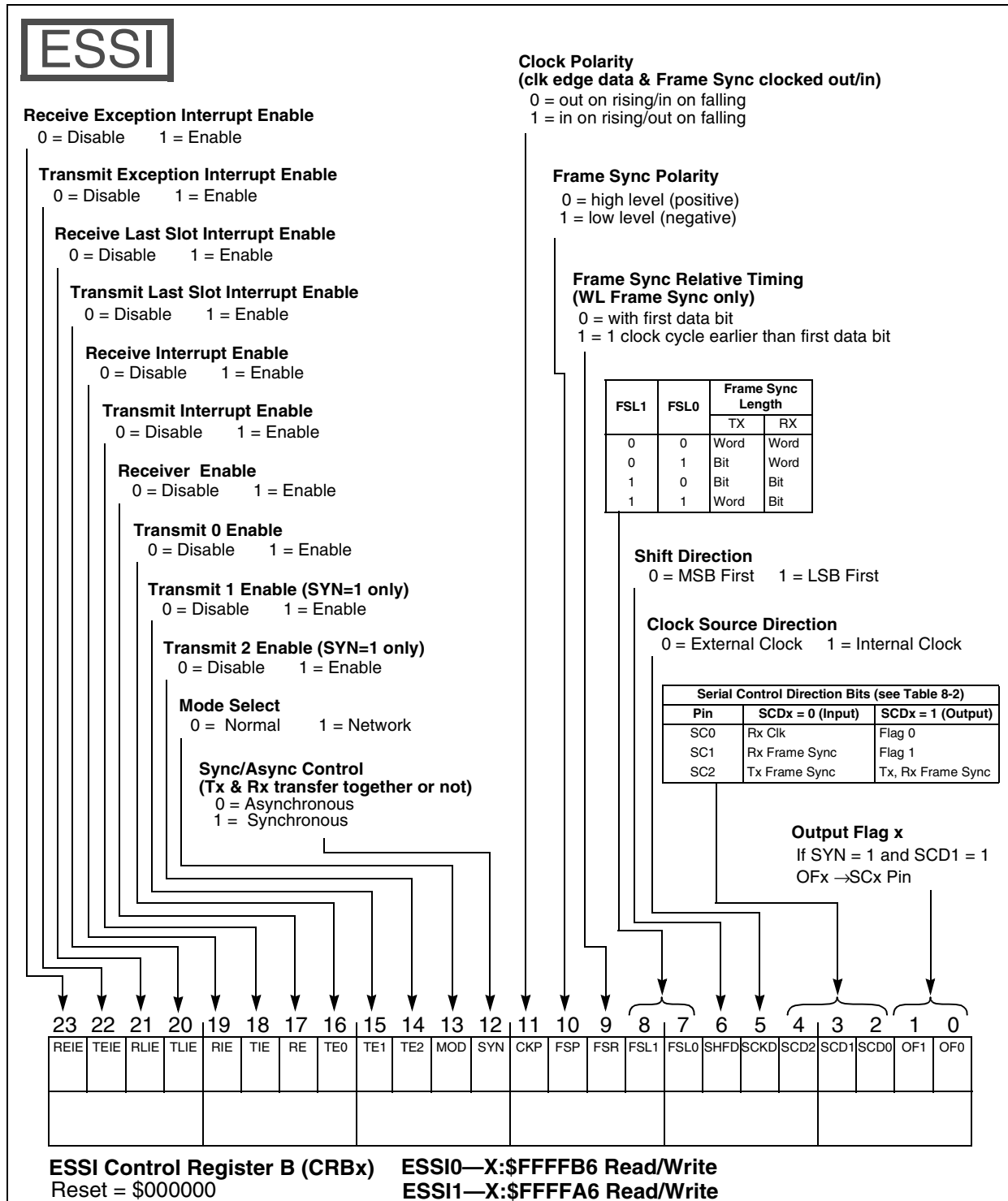


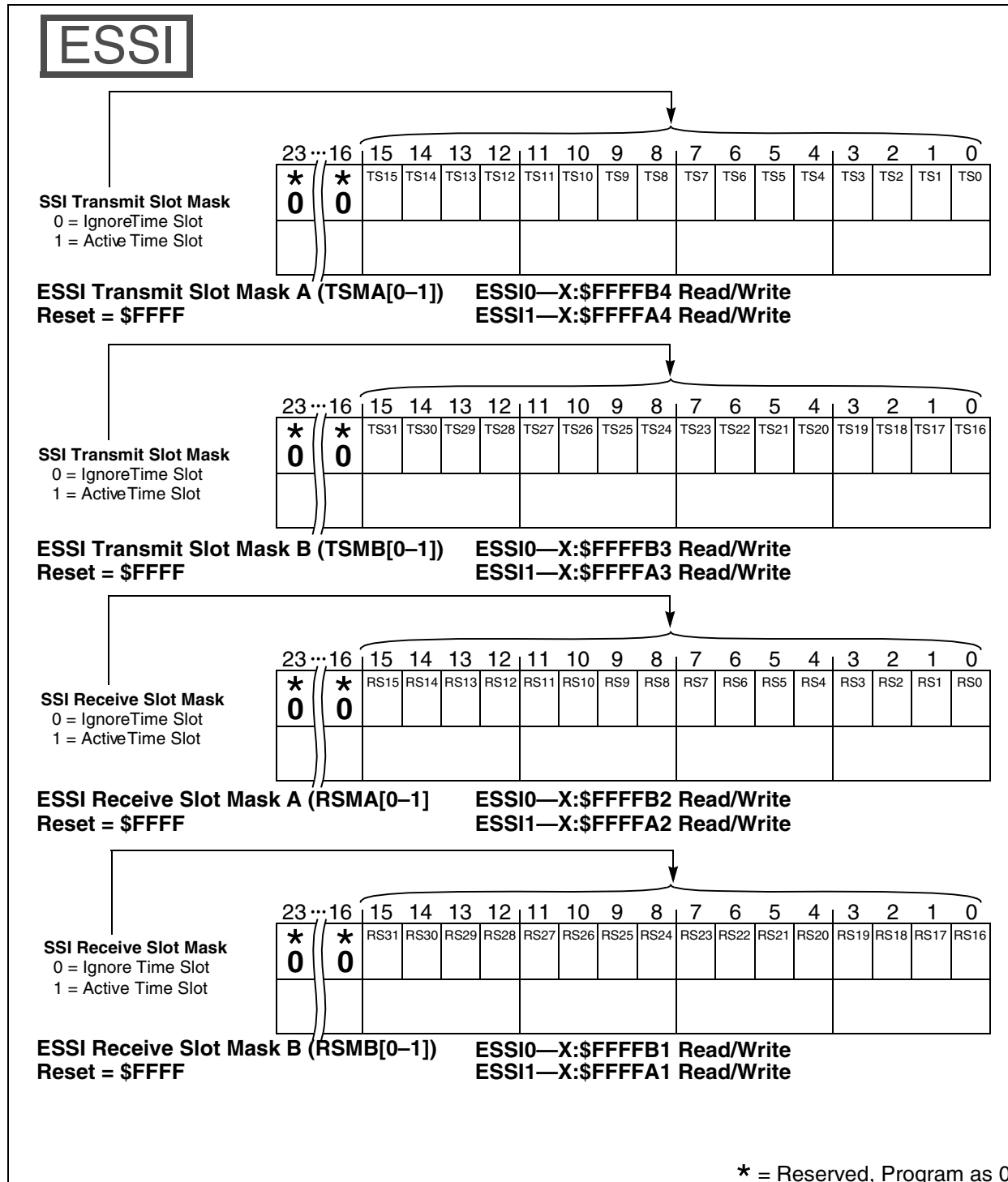
Figure B-15. ESSI Control Register B (CRB)

Application: \_\_\_\_\_

Date: \_\_\_\_\_

Programmer: \_\_\_\_\_

Sheet 3 of 3



Application: \_\_\_\_\_

Date: \_\_\_\_\_

Programmer: \_\_\_\_\_

Sheet 1 of 2

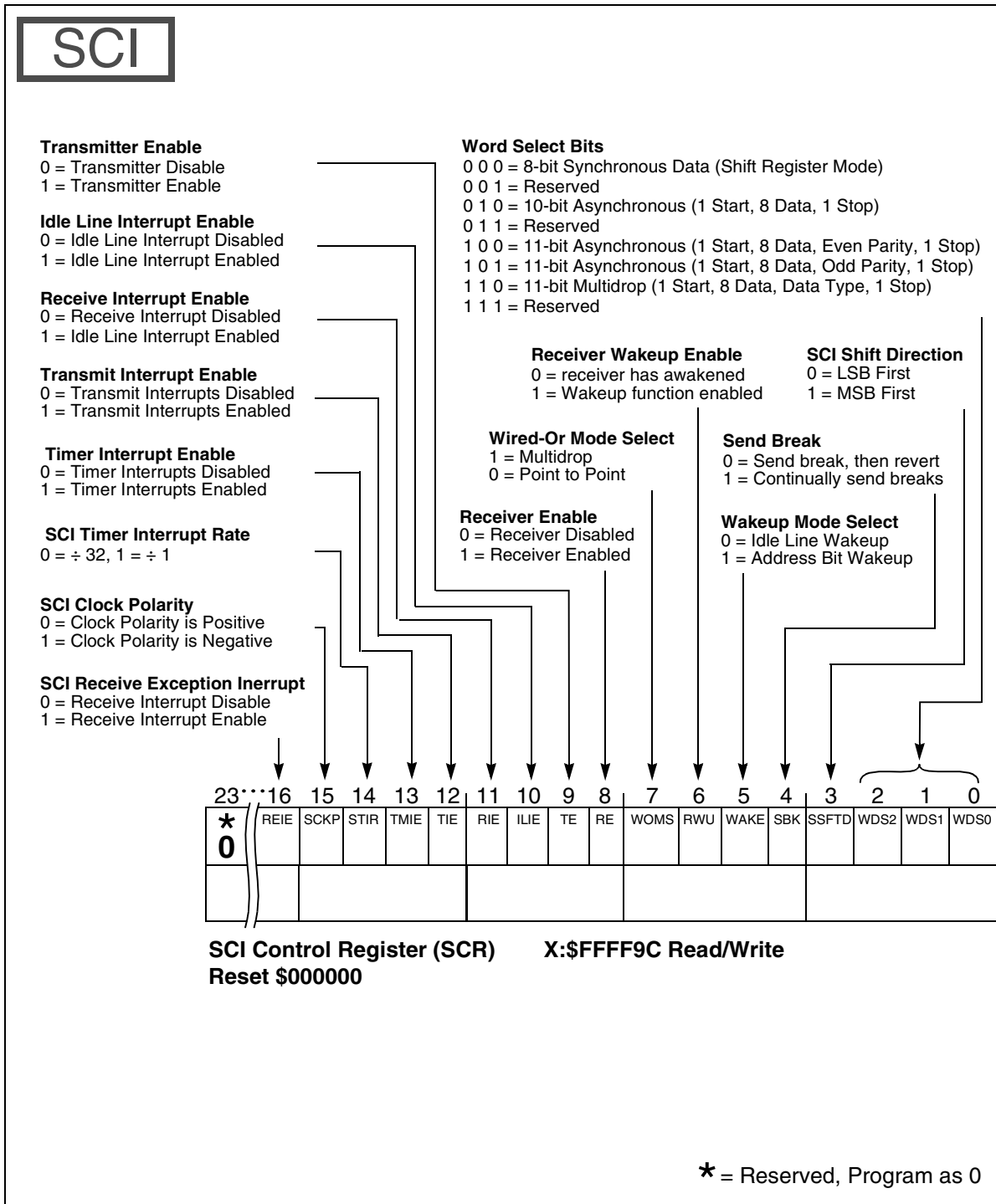


Figure B-17. SCI Control Register (SCR)

Application: \_\_\_\_\_

Date: \_\_\_\_\_

Programmer: \_\_\_\_\_

Sheet 2 of 2

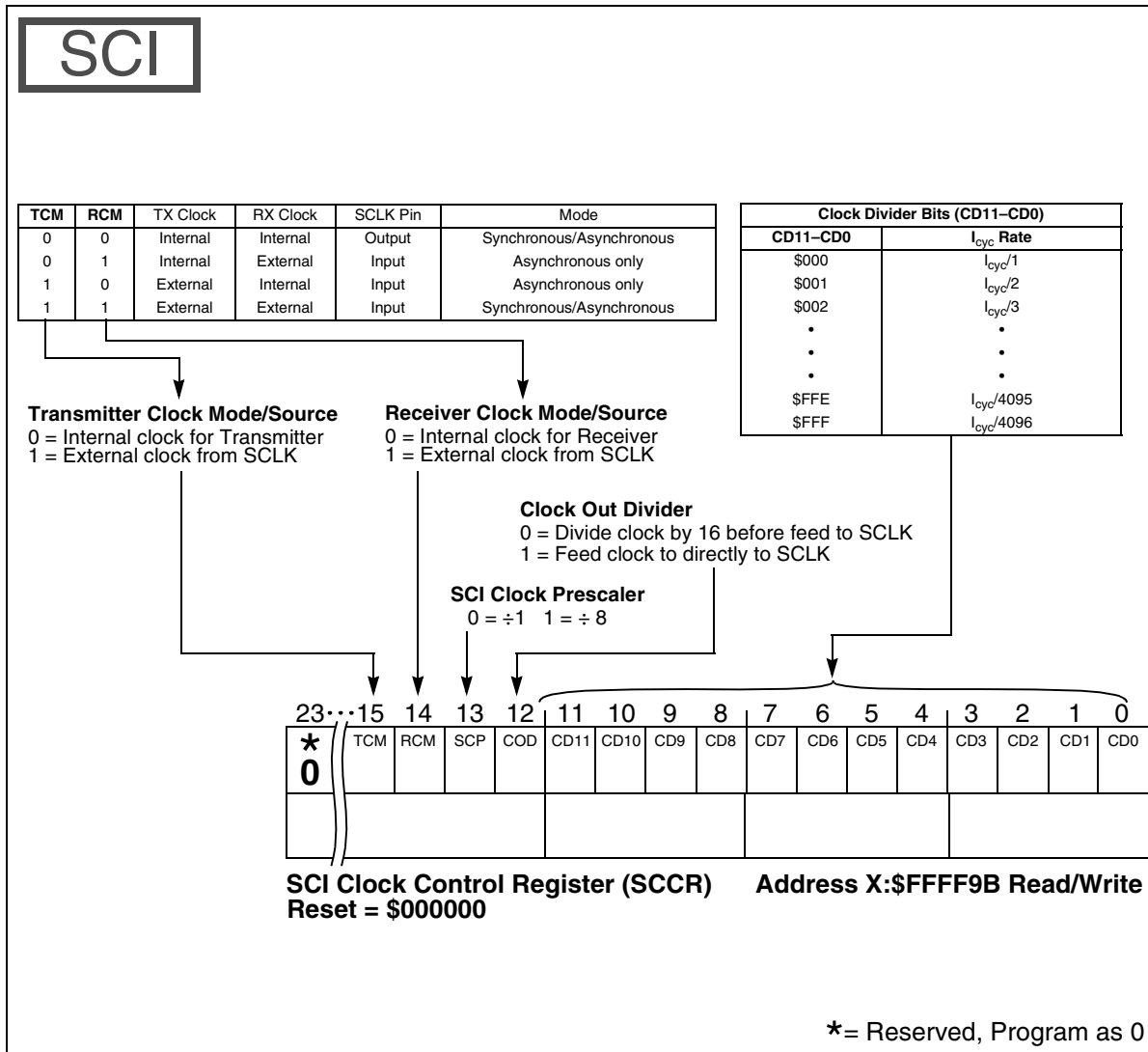
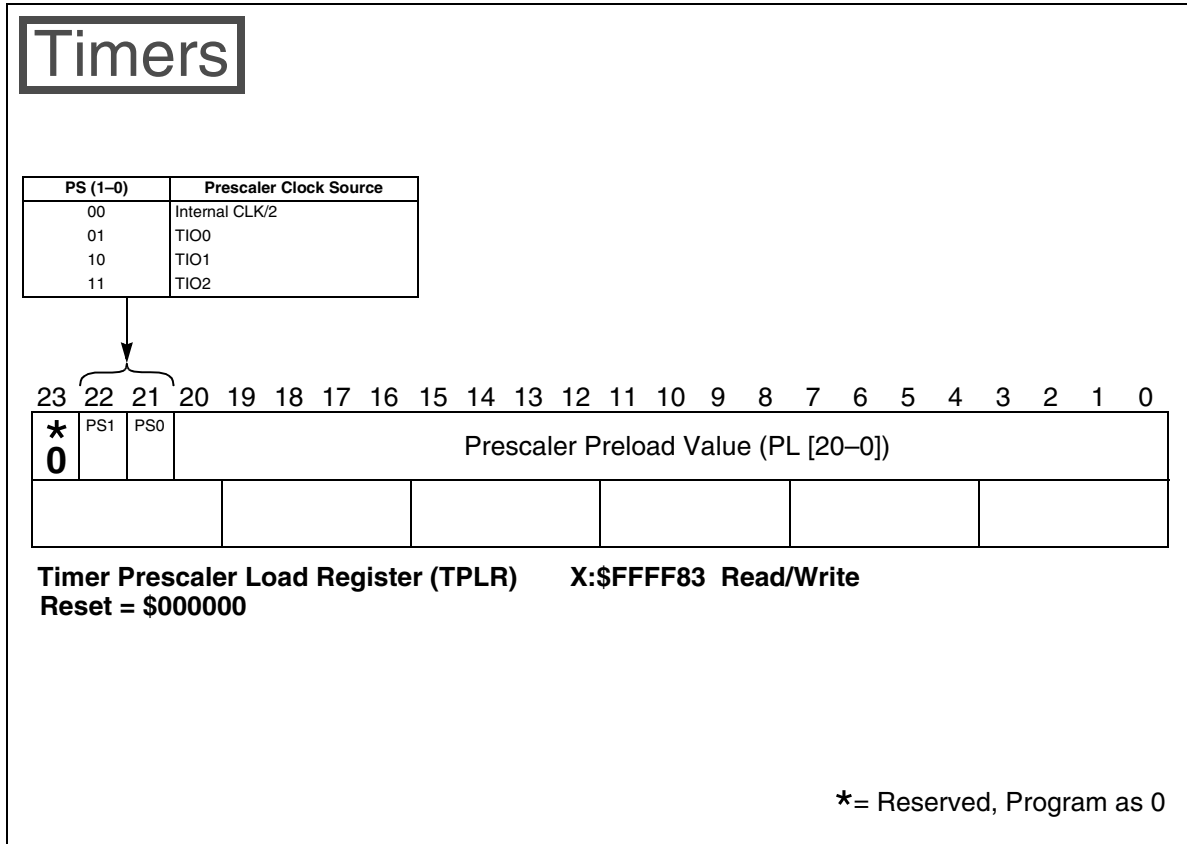


Figure B-18. SCI Clock Control Registers (SCCR)

Application: \_\_\_\_\_  
 \_\_\_\_\_

Date: \_\_\_\_\_

Programmer: \_\_\_\_\_



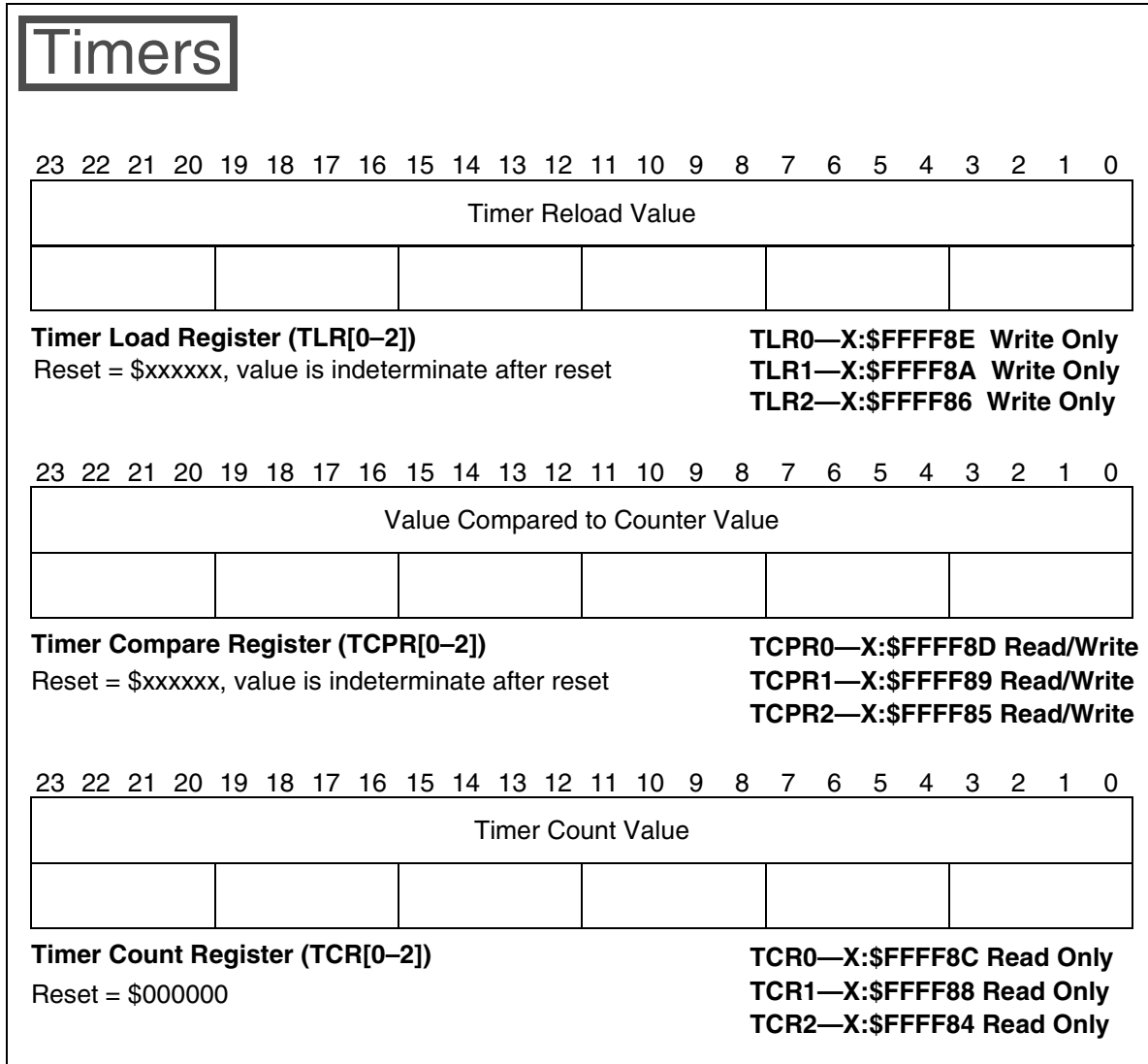
**Figure B-19.** Timer Prescaler Load Register (TPLR)



Application: \_\_\_\_\_  
 \_\_\_\_\_

Date: \_\_\_\_\_

Programmer: \_\_\_\_\_



**Figure B-21.** Timer Load, Compare, and Count Registers (TLR, TCPR, TCR)

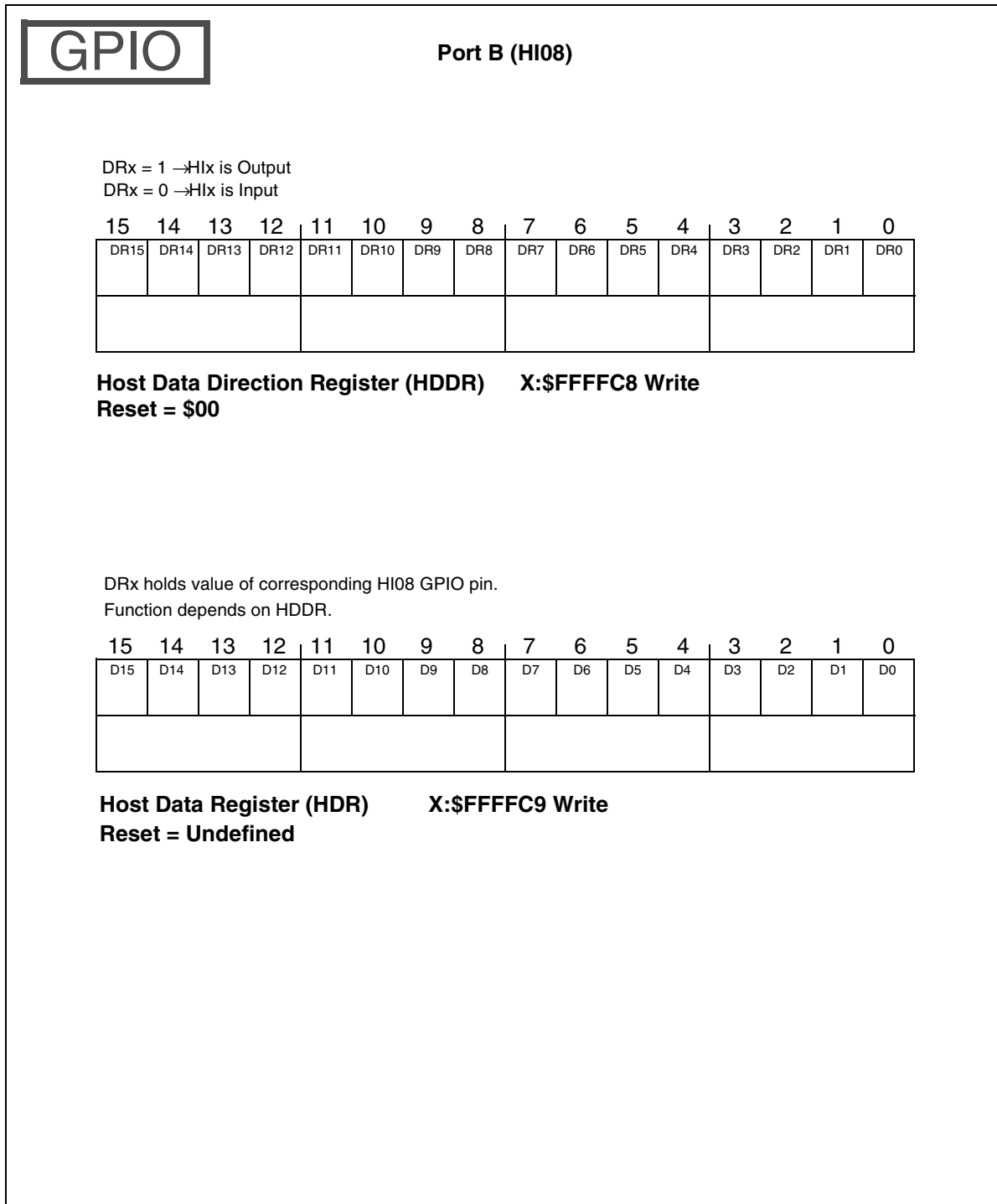


Application: \_\_\_\_\_  
 \_\_\_\_\_

Date: \_\_\_\_\_

Programmer: \_\_\_\_\_

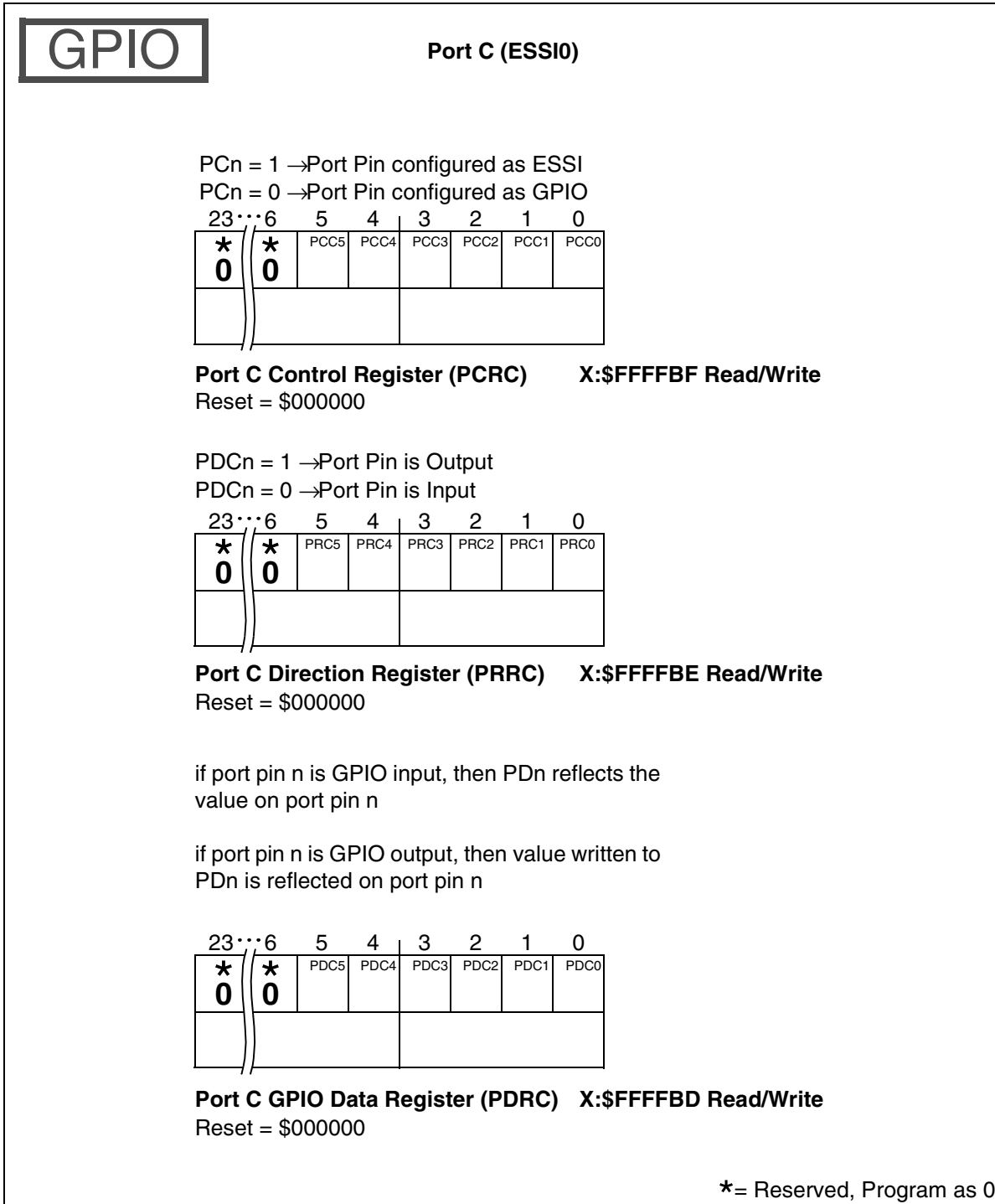
Sheet 1 of 4



**Figure B-22.** Host Data Direction and Host Data Registers (HDDR, HDR)

Application: \_\_\_\_\_  
 \_\_\_\_\_

Date: \_\_\_\_\_  
 Programmer: \_\_\_\_\_



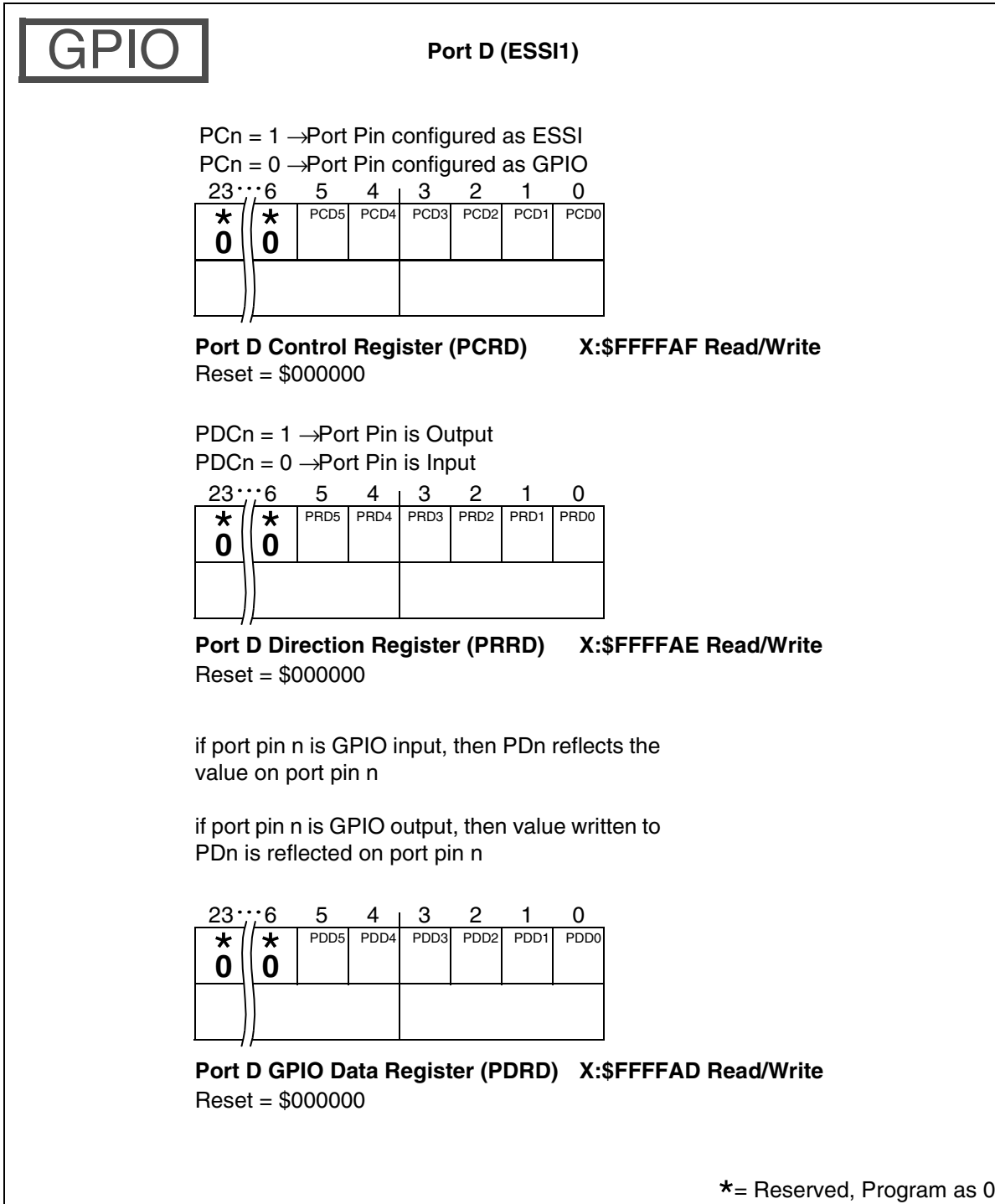
**Figure B-23.** Port C Registers (PCRC, PRRC, PDR)

Application: \_\_\_\_\_  
 \_\_\_\_\_

Date: \_\_\_\_\_

Programmer: \_\_\_\_\_

Sheet 3 of 4

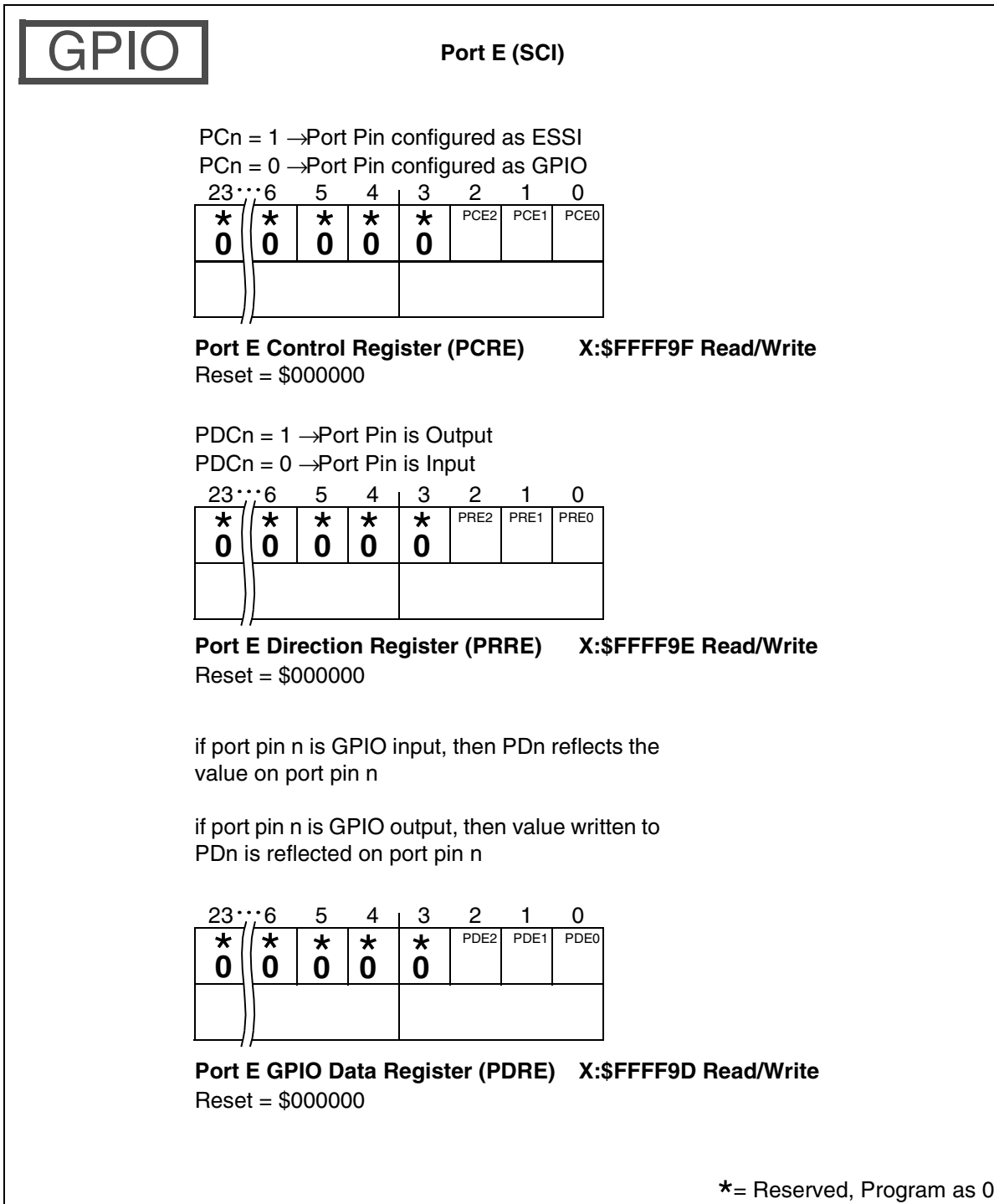


**Figure B-24. Port D Registers (PCRD, PRRD, PDRD)**

Application: \_\_\_\_\_  
 \_\_\_\_\_

Date: \_\_\_\_\_

Programmer: \_\_\_\_\_



# Index

## A

- adder 1-7
- Address Arithmetic Logic Unit (Address ALU) 1-7
- Address Attribute Priority Disable (APD) bit 4-13
- Address Attribute Registers (AAR) 4-21, 4-26
  - Bus Access Type (BAT) 4-28
  - Bus Address Attribute Polarity (BAAP) 4-27
  - Bus Address to Compare (BAC) 4-26
  - Bus Number of Address Bits to Compare (BNC) 4-26
  - Bus Packing Enable (BPAC) 4-27
  - Bus Program Memory Enable (BPEN) 4-27
  - Bus X Data Memory Enable (BXEN) 4-27
  - Bus Y Data Memory Enable (BYEN) 4-27
- programming sheet B-16
- Address Generation Unit (AGU) 1-7
- Address Mode Wakeup 8-3
- Address Trace Enable (ATE) bit 4-13
- Address Trace mode 1-5
- addressing modes 1-7
- Alignment Control (ALC) bit 7-14
- Arithmetic Saturation Mode (SM) bit 4-8
- Asynchronous Bus Arbitration Enable (ABE) bit 4-13
- asynchronous data transfer 8-2
- Asynchronous mode 7-9, 8-2, 8-13, 8-15, 8-16
- Asynchronous Multidrop mode 8-15

## B

- barrel shifter 1-6
- bit-oriented instructions 5-1
  - BCHG 5-1
  - BCLR 5-1
  - BRCLR 5-1
  - BRSET 5-1
  - BSCLR 5-1
  - BSET 5-1
  - BSSET 5-1
  - BTST 5-1
  - JCLR 5-1
  - JSCLR 5-1
  - JSET 5-1
  - JSSET 5-1

- bootstrap 3-1, 3-2
  - code 8-7
  - program 4-6, A-1
  - program options, invoking 4-6
  - ROM 1-5
- Boundary Scan Register (BSR) 4-34
- Burst Mode Enable (BE) bit 4-14
- bus
  - address 2-2
  - data 2-2
  - external address 2-5
  - external data 2-5
  - internal 1-10
  - multiplexed 2-2
  - non-multiplexed 2-2
- Bus Access Type (BAT) bits 4-28
- Bus Address Attribute Polarity (BAAP) bit 4-27
- Bus Address to Compare (BAC) bits 4-26
- Bus Area 0 Wait State Control (BA0W) bits 4-23
- Bus Area 1 Wait State Control (BA1W) bits 4-23
- Bus Area 2 Wait State Control (BA2W) bits 4-22
- Bus Area 3 Wait State Control (BA3W) bits 4-22
- Bus Column In-Page Wait State (BCW) bit 4-25
- Bus Control Register (BCR) 4-21
  - Bit Definitions 4-22
  - Bus Area 0 Wait State Control (BA0W) 4-23
  - Bus Area 1 Wait State Control (BA1W) 4-23
  - Bus Area 2 Wait State Control (BA2W) 4-22
  - Bus Area 3 Wait State Control (BA3W) 4-22
  - Bus Default Area Wait State Control (BDFW) 4-22
  - Bus Request Hold (BRH) 4-22
  - Bus Request Hold (BRH) bit 4-22
  - Bus State (BBS) bit 4-22
  - programming sheet B-14
- Bus Default Area Wait State Control (BDFW) bits 4-22
- Bus DRAM Page Size (BPS) bit 4-25
- Bus Interface Unit (BIU)
  - Address Attribute Registers (AAR) 4-21
  - Bus Control Register (BCR) 4-21
  - DRAM Control Register (DCR) 4-21
- Bus Mastership Enable (BME) bit 4-25
- Bus Number of Address Bits to Compare (BNC) bits 4-26
- Bus Packing Enable (BPAC) bit 4-27

Bus Page Logic Enable (BPLE) bit 4-25  
 Bus Program Memory Enable (BPEN) bit 4-27  
 Bus Refresh Enable (BREN) bit 4-24  
 Bus Refresh Prescaler (BRP) bit 4-24  
 Bus Refresh Rate (BRF) bit 4-24  
 Bus Release Timing (BRT) bit 4-13  
 Bus Request Hold (BRH) bit 4-22  
 Bus Row Out-of-Page Wait States (BRW) bit 4-25  
 Bus Software Triggered Reset (BSTR) bit 4-24  
 Bus X Data Memory Enable (BXEN) bit 4-27  
 Bus Y Data Memory Enable (BYEN) bit 4-27

## C

Cache Burst Mode Enable (BE) bit 4-14  
 Cache Enable (CE) bit 4-7, 4-8  
 Carry (C) bit 4-11  
 Central Processing Unit (CPU) 1-1  
 Chip Operating Mode (MD–MA) bits 4-14  
 chip-select
 

- logic 6-16
- signal 6-3

 Clock 2-4  
 Clock Divider (CD) bits 8-17  
 clock generator 7-10, 7-16  
 Clock Generator (CLKGEN) 1-8  
 Clock Out Divider (COD) 8-17  
 Clock Output Disable (COD) bit 4-20  
 Clock Polarity (CKP) bit 7-20  
 Clock Prescaler (SCP) 8-17  
 Clock Source Direction (SCKD) bit 7-21  
 CMOS 1-5  
 codec 7-3, 7-9, 7-11  
 COM byte 4-12  
 Command Vector Register (CVR) 6-21, 6-24
 

- Host Command (HC) 6-24
- Host Vector (HV) 6-24
- programming sheet B-21

 Condition Code Register (CCR) 4-7
 

- Carry (C) 4-11
- Extension (E) 4-11
- Limit (L) 4-10
- Negative (N) 4-11
- Overflow (V) 4-11
- Scaling (S) 4-10
- Unnormalized (U) 4-11
- Zero (Z) 4-11

 Control Register A (CRA)
 

- Alignment Control (ALC) 7-14
- Frame Rate Divider Control (DC) 7-15
- Prescale Modulus Select (PM) 7-15
- Prescaler Range (PSR) 7-15
- programming sheet B-23
- Select SCK (SSC1) 7-13
- Word Length Control (WL) 7-14

Control Register B (CRB)
 

- Clock Polarity (CKP) 7-20
- Clock Source Direction (SCKD) 7-21
- Frame Sync Length (FSL) 7-21
- Frame Sync Polarity (FSP) 7-20
- Frame Sync Relative Timing (FSR) 7-21
- Mode Select (MOD) 7-20
- programming sheet B-24
- Receive Enable (RE) 7-19
- Receive Exception Interrupt Enable (REIE) 7-18
- Receive Interrupt Enable (RIE) 7-18
- Receive Last Slot Interrupt Enable (RLIE) 7-18
- Serial Control Direction 0 (SCD0) 7-22
- Serial Control Direction 1 (SCD1) 7-22
- Serial Control Direction 2 (SCD2) 7-21
- Serial Output Flag 0 (OF0) 7-22
- Serial Output Flag 1 (OF1) 7-22
- Shift Directions (SHFD) 7-21
- Synchronous/Asynchronous (SYN) 7-20
- Transmit 0 Enable (TE0) 7-19
- Transmit 1 Enable (TE1) 7-19
- Transmit 2 Enable (TE2) 7-20
- Transmit Exception Interrupt Enable (TEIE) 7-18
- Transmit Interrupt Enable (TIE) 7-18
- Transmit Last Slot Interrupt Enable (TLIE) 7-18

 Core Priority (CP) bits 4-8  
 Core-DMA Priority (CDP) bits 4-14  
 crystal frequency 8-6  
 Crystal Range (XTLR) bit 4-21

## D

data and control host processor registers 6-12  
 Data Arithmetic Logic Unit (Data ALU) 1-6  
 Data Input (DI) bit 9-25  
 data memory expansion 1-9  
 Data Output (DO) bit 9-25  
 data strobe 6-3  
 data transfer methods 5-2  
 Debug support 1-5  
 Direct Memory Access (DMA) 6-5, 6-8
 

- Request Source bits 4-28
- transfers and host bus 6-8
- triggered by timer 9-21

 Direction (DIR) bit 9-25  
 Division Factor (DF) bits 4-21  
 DMA Address Mode (DAM) bit 4-33  
 DMA Channel Enable (DE) bit 4-28  
 DMA Channel Priority (DPR) bit 4-30  
 DMA Continuous Mode Enable (DCON) bit 4-31  
 DMA Control Registers (DCR5–DCR0)
 

- programming sheet B-17

 DMA Control Registers (DCRs) 4-28
 

- bit definitions 4-28
- DMA Address Mode (DAM) 4-33

- DMA Channel Enable (DE) 4-28
  - DMA Channel Priority (DPR) 4-30
  - DMA Continuous Mode Enable (DCON) 4-31
  - DMA Destination Space (DDS) 4-33
  - DMA Interrupt Enable (DIE) 4-28
  - DMA Request Source (DRS) 4-32
  - DMA Source Space (DSS) 4-33
  - DMA Three-Dimensional Mode (D3D) 4-32
  - DMA Transfer Mode (DTM) 4-29
  - DMA Destination Space (DDS) bit 4-33
  - DMA Interrupt Enable (DIE) bit 4-28
  - DMA Request Source (DRS) bit 4-32
  - DMA Source Space (DSS) bit 4-33
  - DMA Three-Dimensional Mode (D3D) bit 4-32
  - DMA Transfer Mode (DTM) bit 4-29
  - DO FOREVER (FV) Flag bit 4-9
  - DO loop 1-8
  - Do Loop Flag (LF) bit 4-9
  - double data strobe mode 2-2
  - Double Host Request (HDRQ) bit 6-8, 6-23
  - Double-Precision Multiply Mode (DM) bit 4-9
  - DRAM Control Register (DCR) 4-21, 4-23
    - Bit Definitions 4-24
    - Bus Column In-Page Wait State (BCW) 4-25
    - Bus DRAM Page Size (BPS) 4-25
    - Bus Mastership Enable (BME) 4-25
    - Bus Page Logic Enable (BPLE) 4-25
    - Bus Refresh Enable (BREN) 4-24
    - Bus Refresh Prescaler (BRP) 4-24
    - Bus Refresh Rate (BRF) 4-24
    - Bus Row Out-of-Page Wait States (BRW) 4-25
    - Bus Software Triggered Reset (BSTR) 4-24
    - programming sheet B-15
  - DSP core
    - programming model 6-11
  - DSP56300
    - core 1-1
    - Family Manual 1-1, 1-4, 6-8
  - DSP56309
    - Technical Data 1-1
  - DSP-to-host
    - data word 6-2
    - handshaking protocols 6-2
    - interrupts 6-2
    - mapping 6-2
    - transfer modes 6-2
    - transfers 6-5, 6-19
  - dynamic memory configuration switching 3-5
- E**
- Enhanced Synchronous Serial Interface (ESSI) 1-12, 2-2, 2-16, 2-17, 7-1
    - 24-bit fractional data 7-14
    - after reset 7-6
  - Asynchronous mode 7-3, 7-4, 7-10, 7-19
  - audio enhancements 7-2
  - byte format 7-11
  - clock generator 7-10, 7-16
  - Clock Sources 7-3
  - codec 7-11
  - control and time slot registers 7-6
  - control direction of SC2 I/O signal 7-21
  - Control Register A (CRA)
    - Alignment Control (ALC) 7-14
    - Frame Rate Divider Control (DC) 7-15
    - Prescale Modulus Select (PM) 7-15
    - Prescaler Range (PSR) 7-15
    - programming sheet B-23
    - Select SCK (SSC1) 7-13
    - Word Length Control (WL) 7-14
  - Control Register B (CRB)
    - Clock Polarity (CKP) 7-20
    - Clock Source Directions (SCKD) 7-21
    - Frame Sync Length (FSL) 7-21
    - Frame Sync Polarity (FSP) 7-20
    - Frame Sync Relative Timing (FSR) 7-21
    - Mode Select (MOD) 7-20
    - programming sheet B-24
    - Receive Enable (RE) 7-19
    - Receive Exception Interrupt Enable (REIE) 7-18
    - Receive Interrupt Enable (RIE) 7-18
    - Receive Last Slot Interrupt Enable 7-18
    - Serial Control Direction 0 (SCD0) 7-22
    - Serial Control Direction 1 (SCD1) 7-22
    - Serial Control Direction 2 (SCD2) 7-21
    - Serial Output Flag 0 (OF0) 7-22
    - Serial Output Flag 1 (OF1) 7-22
    - Shift Direction (SHFD) 7-21
    - Synchronous/Asynchronous (SYN) 7-20
    - Transmit 0 Enable (TE0) 7-19
    - Transmit 1 Enable (TE1) 7-19
    - Transmit 2 Enable (TE2) 7-20
    - Transmit Exception Interrupt Enable (TEIE) 7-18
    - Transmit Interrupt Enable (TIE) 7-18
    - Transmit Last Slot Interrupt Enable (TLIE) 7-18
  - control registers 7-12
  - data and control signals 7-2
  - DMA 7-6
    - exception configuration 7-8
    - exceptions 7-7
      - receive last slot interrupt 7-7
      - transmit data 7-8
      - transmit data with exception status 7-7
      - transmit last slot interrupt 7-7
  - flags 7-12
  - frame rate divider 7-9
  - frame sync
    - generator 7-16
    - length 7-10

- polarity 7-11
- selection 7-10
- signal 7-7, 7-9, 7-17
- word length 7-11
- initialization 7-6
- initialization example 7-6
- internally generated clock and frame sync 7-7
- interrupt 7-7
- Interrupt Service Routine (ISR) 7-8
- interrupt trigger event 7-9
- interrupts 7-7
- multiple serial device selection 7-4
- network enhancements 7-2
- Network mode 7-2, 7-7, 7-9, 7-19, 7-20
- Normal mode 7-2, 7-9, 7-19
- On-Demand mode 7-9, 7-14, 7-19
- operating mode 7-6, 7-9, 7-20
- polling 7-7
- Port Control Register (PCR) 7-6, 7-33
- Port Control Register C (PCRC) 7-33
- Port Control Register D (PCRD) 7-33
- Port Data Register (PDR) 7-34
- Port Data Register C (PDRC) 7-34
- Port Data Register D (PDRD) 7-34
- Port Direction Register (PRR) 7-34
- Port Direction Register C (PRRC) 7-34
- Port Direction Register D (PRRD) 7-34
- prescale divider 7-15
- programming model 7-12
- receive data interrupt request 7-27
- Receive Data Register (RX) 7-12, 7-28
- Receive Shift Register 7-28
- receive shift register clock output 7-4
- Receive Slot Mask Register (RSM)
  - programming sheet B-25
- Receive Slot Mask Registers (RSMA and RSMB) 7-12, 7-32
- reset 7-6
- RX clock 7-10
- RX frame sync 7-10
- RX frame sync pulses active 7-10
- select source of clock signal 7-21
- Serial Clock (SCK), ESSI 7-3
- Serial Control 0 (SC00 and SC10) 7-3
- Serial Control 1 (SC01 and SC11) 7-4
- Serial Control 2 (SC02 and SC12) 7-5
- Serial Input Flag (IF0) 7-4
- Serial Output Flag 0 (OF0) bit 7-4
- Serial Output Flags (OF0–OF1) 7-17
- Serial Receive Data (SRD) 7-3
- Serial Transmit Data (STD) 7-2
- SPI protocol 7-2
- Synchronous mode 7-3, 7-4, 7-10, 7-12
- Synchronous Serial Interface Status Register (SSISR) 7-12, 7-26

- bit definitions 7-27
- Receive Data Register Full (RDF) 7-27
- Receiver Frame Sync Flag (RFS) 7-27
- Receiver Overrun Error Flag (ROE) 7-27
- Serial Input Flag 0 (IF0) 7-28
- Serial Input Flag 1 (IF1) 7-28
- Transmit Data Register Empty (TDE) 7-27
- Transmit Frame Sync Flag (TFS) 7-27
- Transmitter Underrun Error Flag (TUE) 7-27
- Synchronous/Asynchronous (SYN) bit 7-10
- Time Slot Register (TSR) 7-8, 7-31
- Transmit Data Registers (TX0–TX2) 7-12, 7-31
- Transmit Enable (TE) 7-17
- Transmit Shift Registers 7-28
- Transmit Slot Mask Register (TSM)
  - programming sheet B-25
- Transmit Slot Mask Registers (TSMA and TSMB) 7-12, 7-31
- TX clock 7-10
- variable prescaler 7-15
- word length frame sync 7-11
- word length frame sync timing 7-11
- EOM byte 4-12
- ESSIO Interrupt Priority Level (SOL) bits 4-16
- ESSI1 Interrupt Priority Level (S1L) bits 4-16
- expansion memory 3-1
- Extended Mode Register (EMR) 4-7
  - Arithmetic Saturation Mode (SM) 4-8
  - Cache Enable (CE) 4-8
  - Core Priority (CP) 4-8
  - DO FOREVER (FV) Flag 4-9
  - Rounding Mode (RM) 4-8
  - Sixteen-Bit Arithmetic Mode (SA) 4-8
- Extension (E) bit 4-11
- external address bus 2-5
- external bus control 2-5, 2-7
- External Bus Disable (EBD) bit 4-14
- external data bus 2-5
- External Memory Expansion Port 2-5

## F

- frame rate divider 7-9
- Frame Rate Divider Control (DC) bits 7-15
- frame sync
  - generator 7-16
  - length 7-10
  - selection 7-10
  - signal 7-7, 7-9, 7-17
- Frame Sync Length (FSL) bits 7-21
- Frame Sync Polarity (FSP) bit 7-20
- Frame Sync Relative Timing (FSR) bit 7-21
- Framing Error Flag (FE) bit 8-15



**G**

general-purpose flags for host-DSP communication 6-6  
 General-Purpose Input/Output (GPIO) 1-12, 2-2, 2-19  
   functions 6-3  
   Host Data Direction Register (HDDR) 6-12, 6-30  
   Host Data Register (HDR) 6-12, 6-30  
   Port B 5-6  
   Port C 5-7  
   Port D 5-7  
   Port E 5-7  
 Global Data Bus (GDB) 1-10  
 Ground 2-3  
   PLL 2-3

**H**

HACK signal 6-18  
 handshaking mechanisms  
   HI08 6-5  
 hardware stack 1-8  
 HI08 1-12  
   ISR  
     Transmit Data Register Empty 6-25  
 HI08 Interrupt Priority Level (HPL) bits 4-16  
 Host Acknowledge Enable (HAEN) bit 6-18  
 Host Acknowledge Polarity (HAP) bit 6-16  
 Host Address Line 8 Enable (HA8EN) 6-18  
 Host Address Line 9 Enable (HA9EN) 6-18, 7-19  
 Host Address Strobe Polarity (HASP) bit 6-17  
 Host Base Address Register (HBAR) 6-12, 6-15, 6-30  
   programming sheet B-19  
 Host Chip Select Enable (HCSEN) bit 6-18  
 Host Chip Select Polarity (HSCP) bit 6-17  
 Host Command (HC) bit 6-24  
 Host Command Interrupt Enable (HCIE) bit 6-13  
 Host Command Pending (HCP) bit 6-14  
 Host Control Register (HCR) 6-12, 6-28  
   Host Command Interrupt Enable (HCIE) 6-13  
   Host Flags 2,3 (HF) 6-12  
   Host Receive Interrupt Enable (HRIE) 6-13  
   Host Transmit Interrupt Enable (HTIE) 6-13  
   programming sheet B-20  
 Host Data Direction Register (HDDR) 6-3, 6-12, 6-14  
   programming sheet B-31  
 Host Data Direction Register (HDDR) 6-30  
 Host Data Register (HDR) 6-12, 6-15, 6-30  
   programming sheet B-31  
 Host Data Strobe Polarity (HDSP) bit 6-17  
 Host Dual Data Strobe (HDDS) bit 6-17  
 Host Enable (HEN) bit 6-17  
 Host Flag 0 (HF0) bit 6-23  
 Host Flag 1 (HF1) bit 6-23  
 Host Flag 2 (HF2) bit 6-25  
 Host Flag 3 (HF3) bit 6-25

Host Flags 0, 1 (HF) bits 6-14  
 Host Flags 2,3 (HF) bits 6-12  
 Host GPIO Port Enable (HGEN) bit 6-18  
 Host Interface (HI08) 2-2, 2-9, 2-10, 2-12, 2-13, 6-1  
   chip-select logic 6-16  
   Command Vector Register (CVR) 6-7, 6-21  
     Host Command (HC) 6-24  
     Host Vector (HV) 6-24  
     programming sheet B-21  
   configuring host request mode 6-8  
   control operating mode 6-16  
   core communication with HI08 registers 6-11  
   core interrupts  
     host command 6-7  
     receive data register full 6-7  
     transmit data empty 6-7  
   data registers 6-21  
   data strobe 6-3  
   Direct Memory Access (DMA) 6-8  
   DMA transfers and host bus 6-8  
   double-buffered mechanism 6-5  
   DSP core 6-5  
     programming model 6-11  
   DSP core interrupts 6-6  
   DSP interrupt routines 6-21  
   DSP-side  
     control registers 6-12  
     data registers 6-12  
     registers after reset 6-20  
   DSP-to-host  
     data word 6-2  
     handshaking protocols 6-2  
     interrupts 6-2  
     mapping 6-2  
     transfer modes 6-2  
     transfers 6-5, 6-19  
 dual host request enabled 6-9  
 dual-strobe mode 6-19  
 enabling host requests 6-8  
 external host address inputs 6-27  
 external host programmer's model 6-20  
 four kinds of reset 6-27  
 four reset types 6-20  
 general-purpose flags for host-DSP communication 6-6  
 GPIO configuration options 6-14  
 GPIO functions 6-3  
 HACK signal 6-18  
 HACK/HRRQ handshake flags 6-21  
 handshaking mechanisms 6-5  
 handshaking protocols 6-5  
   choosing 6-6  
   Core DMA access 6-5  
   host request 6-5  
   interrupts 6-5  
   pros and cons of polling 6-6

- software polling 6-5
- hardware reset 6-20, 6-27
- HI08-to-DSP core interface 6-1
- HI08-to-host
  - interface 6-1
- Host Base Address Register (HBAR) 6-12, 6-15, 6-30
  - programming sheet B-19
- host command 6-7, 6-21
- Host Control Register (HCR) 6-12, 6-28
  - Host Command Interrupt Enable (HCIE) 6-13
  - Host Flags 2, 3 (HF) 6-12
  - Host Receive Interrupt Enable (HRIE) 6-13
  - Host Transmit Interrupt Enable (HTIE) 6-13
  - programming sheet B-20
- Host Data Direction Register (HDDR) 6-3, 6-12, 6-14
  - programming sheet B-31
- Host Data Direction Register (HDDR) 6-30
- Host Data Register (HDR) 6-12, 6-15, 6-30
  - programming sheet B-31
- host interrupt request pins (IRQx) 6-8
- Host Port Control Register (HPCR) 6-3, 6-12, 6-16, 6-20, 6-28, 6-29
  - Host Acknowledge Enable (HAEN) 6-18
  - Host Acknowledge Polarity (HAP) 6-16
  - Host Address Line 8 Enable (HA8EN) 6-18
  - Host Address Line 9 Enable (HA9EN) 6-18, 7-19
  - Host Address Strobe Polarity (HASP) 6-17
  - Host Chip Select Enable (HCSEN) 6-18
  - Host Chip Select Polarity (HCSP) 6-17
  - Host Data Strobe Polarity (HDSP) 6-17
  - Host Dual Data Strobe (HDDS) 6-17
  - Host Enable (HEN) 6-17
  - Host GPIO Port Enable (HGEN) 6-18
  - Host Multiplexed Bus (HMUX) 6-17
  - Host Request Enable (HREN) 6-18
  - Host Request Open Drain (HROD) 6-17
  - Host Request Polarity (HRP) 6-16
  - programming sheet B-4, B-19
- host processor registers 6-12
- Host Receive (HRX) register 6-5, 6-19, 6-30
- Host Receive Data Register (HRX) 6-19
- Host Receive Request (HRRQ) 6-8
- host request line 6-3
- host request pins 6-9
- host side
  - Command Vector Register (CVR) 6-24
  - Interface Control Register (ICR) 6-22
  - Interface Status Register (ISR) 6-24
  - Interface Vector Register (IVR) 6-26
  - Receive Byte Registers (RXH, RXM, RXL) 6-26
  - Transmit Byte Registers (TXH, TXM, TXL) 6-27
- host side registers after reset 6-27
- Host Status Register (HSR) 6-12, 6-13, 6-30
  - Host Command Pending (HCP) 6-14
  - Host Flags 0, 1 (HF) 6-14
  - Host Receive Data Full (HRDF) 6-14
  - Host Transmit Data Empty (HTDE) 6-14
- Host Transmit (HTX) register 6-6, 6-19, 6-26, 6-30
- Host Transmit Data Register (HTDR)
  - programming sheet B-18, B-22
- host-side
  - register map 6-22
- host-to-DSP
  - data transfers 6-5, 6-19
  - data word 6-1
  - handshaking protocols 6-1
  - instructions 6-1
  - mapping 6-1
- HREQ/HTRQ handshake flags 6-21
- instructions and addressing modes. 6-4
- Interface Control Register (ICR) 6-21, 6-22
  - Double Host Request (HDRQ) 6-8, 6-23
  - Host Flag 0 (HF0) 6-23
  - Host Flag 1 (HF1) 6-23
  - Host Little Endian (HLEND) 6-23
  - Initialize (INIT) 6-22
  - Receive Request Enable (RREQ) 6-23
  - Transmit Request Enable (TREQ) 6-23
- Interface Status Register (ISR) 6-21, 6-24
  - Host Flag 2 (HF2) 6-25
  - Host Flag 3 (HF3) 6-25
  - Host Request (HREQ) 6-25
  - Receive Data Full (RDF) 6-6
  - Receive Data Register Full (RXDF) 6-26
  - Transmit Data Empty (TDE) 6-6
  - Transmit Data Register Empty (TXDE) 6-25
  - Transmitter Ready (TRDY) 6-25
- interrupt routines 6-7
- Interrupt Vector Register (IVR) 6-21, 6-26
  - programming sheet B-22
- interrupt-based techniques 6-20
- masking interrupts 6-7
- MOVEP instruction 6-12
- multiplexed bus mode 6-3, 6-15, 6-18
- non-multiplexed bus mode 6-3, 6-18
- pipeline 6-5
- polling techniques 6-20, 6-26
- programming model
  - DSP side 6-11
  - host side 6-20
  - quick reference 6-28
- Receive Byte Registers (RXH, RHM, RHL) 6-6
- Receive Byte Registers (RXH, RXM, RXL) 6-5, 6-26
- register banks 6-4
- request service from host 6-8
- resets
  - hardware and software 6-3, 6-12
- single-strobe mode 6-19
- software polling 6-6
- software reset 6-27

- STOP command 6-21
  - STOP instruction 6-27
  - Stop mode 6-21
  - timing requirements 6-6
  - Transmit Byte Registers 6-5
  - Transmit Byte Registers (TXH, TXM, TXL) 6-27
  - Transmit Data Registers (TXH, TXM, TXL) 6-5
  - Transmit Registers (TXH, TXM, TXL) 6-6
  - vector registers 6-21
  - Host Little Endian (HLEND) bit 6-23
  - Host Multiplexed Bus (HMUX) bit 6-17
  - host port
    - configuration 2-10
    - usage considerations 2-9
  - Host Port Control Register (HPCR) 6-3, 6-12, 6-16, 6-20, 6-28, 6-29
    - Host Acknowledge Enable (HAEN) 6-18
    - Host Acknowledge Polarity (HAP) 6-16
    - Host Address Line 8 Enable (HA8EN) 6-18
    - Host Address Line 9 Enable (HA9EN) 6-18, 7-19
    - Host Address Strobe Polarity (HASP) 6-17
    - Host Chip Select Enable (HCSEN) 6-18
    - Host Chip Select Polarity (HCSP) 6-17
    - Host Data Strobe Polarity (HDSP) 6-17
    - Host Dual Data Strobe (HDDS) 6-17
    - Host Enable (HEN) 6-17
    - Host GPIO Port Enable (HGEN) 6-18
    - Host Multiplexed Bus (HMUX) 6-17
    - Host Request Enable (HREN) 6-18
    - Host Request Open Drain (HROD) 6-17
    - Host Request Polarity (HRP) 6-16
    - programming sheet B-4, B-19
  - host processor address space 6-21
  - Host Receive (HRX) register 6-5, 6-12, 6-19, 6-30
  - Host Receive Data Full (HRDF) bit 6-6, 6-14
  - Host Receive Interrupt Enable (HRIE) bit 6-13
  - Host Receive Request (HRRQ) 6-8
  - host request 6-5
    - double 2-2
    - enabling 6-8
    - single 2-2
  - Host Request (HREQ) bit 6-25
  - Host Request Enable (HREN) bit 6-18
  - host request line 6-3
  - Host Request Open Drain (HROD) bit 6-17
  - host request pins 6-9
  - Host Request Polarity (HRP) bit 6-16
  - Host Status Register (HSR) 6-12, 6-13, 6-30
    - Host Command Pending (HCP) 6-14
    - Host Flags 0, 1 (HF) 6-14
    - Host Receive Data Full (HRDF) 6-14
    - Host Transmit Data Empty (HTDE) 6-14
  - Host Transmit (HTX) register 6-6, 6-12, 6-19, 6-30
  - Host Transmit Data Empty (HTDE) bit 6-6, 6-14
  - Host Transmit Data Register (HTDR)
    - programming sheet B-18, B-22
  - Host Transmit Interrupt Enable (HTIE) bit 6-13
  - Host Vector (HV) bits 6-24
  - Hosts Interface (HI08)
    - Interrupt Control Register (ICR)
      - programming sheet B-21
  - host-to-DSP transfers 6-5
- I**
- I/O space
    - X data memory 3-3, 3-4
  - Idle Line Flag (IDLE) bit 8-16
  - Idle Line Interrupt Enable (ILIE) bit 8-12
  - Idle Line Wakeup mode 8-3
  - Initialize (INIT) bit 6-22
  - initializing the timer 9-3
  - instruction cache 1-5, 3-2
    - location 3-6
  - Interface Control Register (ICR) 6-22
    - Double Host Request (HDRQ) 6-8, 6-23
    - Host Flag 0 (HF0) 6-23
    - Host Flag 1 (HF1) 6-23
    - Host Little Endian (HLEND) 6-23
    - Initialize (INIT) 6-22
    - Receive Request Enable (RREQ) 6-23
    - Transmit Request Enable (TREQ) 6-23
  - Interface Status Register (ISR) 6-24
    - Host Flag 2 (HF2) 6-25
    - Host Flag 3 (HF3) 6-25
    - Host Request (HREQ) 6-25
    - Receive Data Full (RDF) 6-6
    - Receive Data Register Full (RXDF) 6-26
    - Transmit Data Empty (TDE) 6-6
    - Transmit Data Register Empty (TXDE) 6-25
    - Transmitter Ready (TRDY) 6-25
  - Interface Vector Register (IVR) 6-26
  - internal buses 1-10
  - internal I/O memory map B-2
  - internal program memory 3-1, 3-2
  - interrupt 1-8, 5-2
    - configuring 4-15
    - Host Interface (HI08) 6-5, 6-6
    - priorities B-8
    - source priorities 4-18
    - sources 4-15, 4-16, B-6
    - table 4-15
    - table, memory map 4-16
    - trigger mode 4-16
    - vector 4-16
  - interrupt and mode control 2-8
  - interrupt conditions 5-2
  - interrupt control 2-8
  - Interrupt Control Register (ICR)
    - programming sheet B-21

Interrupt Mask (I) bits 4-10  
 Interrupt Priority Register Core (IPRC) 4-15  
    $\overline{IRQD}$ – $\overline{IRQA}$  Priority and Mode (IDL–IAL) 4-15  
 Interrupt Priority Register Peripherals (IPRP) 4-15, 4-16  
   ESSIO Interrupt Priority Level (SOL) 4-16  
   ESSI1 Interrupt Priority Level (SIL) 4-16  
   HI08 Interrupt Priority Level (HPL) 4-16  
   SCI Interrupt Priority Level (SCL) 4-16  
   Timer Interrupt Priority Level (TOL) 4-16  
 Interrupt Priority Register-Peripherals (IPR-P)  
   programming sheet B-12  
 interrupt routines  
   Host Interface (HI08) 6-7  
 Interrupt Service Routine (ISR) 7-8, 9-4  
 interrupt trigger event 7-9  
 Interrupt Vector Register (IVR) 6-21  
   programming sheet B-22  
 Inverter (INV) bit 9-25, 9-27  
 $\overline{IRQD}$ – $\overline{IRQA}$  Priority and Mode (IDL–IAL) bits 4-15

**J**

Joint Test Action Group (JTAG) 1-8, 2-20, 4-34  
   Test Acces Port(TAP) 1-5

**L**

Limit (L) bit 4-10  
 Loop Address register (LA) 1-8  
 Loop Counter register (LC) 1-8

**M**

M68HC11 SCI interface 8-14  
 manual conventions 1-2  
 mapping control registers 5-1  
 MC68000 family 6-26  
 MC68681 DUART 8-14  
 memory  
   allocation switching 3-2  
   configuration 3-5  
   dynamic switching 3-5  
   expansion 3-1  
   external expansion port 1-9  
   maps 3-6  
   on-chip 1-9  
 Memory Expansion Port 1-5  
 memory map  
   internal I/O B-2  
 Memory Switch mode 3-2  
   X data Memory 3-3  
   X data memory 3-4  
 Memory Switch Mode (MS) bit 4-14  
 MODD, MODC, MODB, and MODA 8-7  
 mode control 2-8  
 Mode Register (MR) 4-7

Do Loop Flag (LF) 4-9  
 Double-Precision Multiply Mode (DM) 4-9  
 Interrupt Mask (I) 4-10  
 Scaling (S) Mode 4-10  
   Sixteen-Bit Compatibility (SC) mode 4-9  
 Mode Select (MOD) bit 7-20  
 move (MOVE, MOVEP) instructions 5-1  
 MOVEP instruction 6-12  
 Multidrop mode 8-2  
 multiplexed bus mode 2-2, 6-3, 6-15, 6-18  
 Multiplication Factor (MF) bits 4-21  
 Multiplier-Accumulator (MAC) 1-6

**N**

Negative (N) bit 4-11  
 Network mode 7-7  
 non-multiplexed bus mode 2-2, 6-3

**O**

off-chip memory 1-5, 3-1  
 On-Chip Emulation (OnCE) module 1-5, 1-9, 2-20  
 on-chip memory 1-5, 1-9  
 On-Demand mode 7-9, 7-14  
 operating frequency 1-5  
 operating mode 4-1  
   Host Interface (HI08) 6-16  
 Operating Mode Register (OMR) 1-8, 4-12  
   Address Attribute Priority Disable (APD) 4-13  
   Address Trace Enable (ATE) 4-13  
   Asynchronous Bus Arbitration Enable (ABE) 4-13  
   Bus Release Timing (BRT) 4-13  
   Cache Burst Mode Enable (BE) 4-14  
   Chip Operating Mode (MD–MA) 4-14  
   COM byte 4-12  
   Core-DMA Priority (CDP) 4-14  
   EOM byte 4-12  
   External Bus Disable (EBD) 4-14  
   Memory Switch Mode (MS) 4-14  
   programming sheet B-11  
   SCS byte 4-12  
   Stack Extension Enable (SEN) 4-12  
   Stack Extension Overflow Flag (EOV) 4-12  
   Stack Extension Underflow Flag (EUN) 4-13  
   Stack Extension Wrap Flag (WRP) 4-12  
   Stack Extension XY Select (XYS) 4-13  
   Stop Delay Mode (SD) 4-14  
   TA Synchronize Select (TAS) 4-13  
 Overflow (V) bit 4-11  
 Overrun Error Flag (OR) bit 8-16

**P**

Parity Error (PE) bit 8-15  
 Peripheral I/O Expansion Bus 1-10

- peripherals programming
    - bit-oriented instructions 5-1
    - data transfer methods 5-2
    - guidelines 5-1
    - individual reset state 5-1
    - initialization steps 5-1
    - interrupts 5-2
    - mapping control registers 5-1
    - move (MOVE, MOVEP) instructions 5-1
    - polling 5-2
    - reading status registers 5-2
  - PINIT 4-20
  - PLL 1-8, 2-4
  - PLL Control (PCTL) register 4-20
    - Clock Output Disable (COD) 4-20
    - Crystal Range (XTLR) 4-21
    - Division Factor (DF) 4-21
    - PLL Enable (PEN) 4-20
    - PLL Multiplication Factor (MF) 4-21
    - PLL Stop State (PSTP) 4-20
    - Predivider Factor (PD) 4-20
    - programming sheet B-13
    - XTAL Disable (XTLD) 4-20
  - PLL Enable (PEN) bit 4-20
  - PLL Stop State (PSTP) bit 4-20
  - polling 5-2
  - Port A 2-5, 4-21
  - Port B 2-2, 2-12, 2-13
    - HI08 5-6
    - programming sheet B-31
  - Port C 2-2, 2-16, 2-17
    - control registers 7-33
    - ESSIO 5-7
  - Port C Control Register (PCRC) 7-33
    - programming sheet B-32
  - Port C Data Register (PDRD) 7-34
    - programming sheet B-32
  - Port C Direction Register (PRRD) 7-34
    - programming sheet B-32
  - Port D 2-2
    - control registers 7-33
    - ESSII 5-7
  - Port D Control Register (PCRD) 7-33
    - programming sheet B-33
  - Port D Data Register (PDRD) 7-34
    - programming sheet B-33
  - Port D Direction Register (PRRD) 7-34
    - programming sheet B-33
  - Port E 2-18, 5-7
  - Port E Control Register (PCRE) 8-22
    - programming sheet B-34
  - Port E Data Register (PDRE) 8-23
    - programming sheet B-34
  - Port E Direction Register (PRRE) 8-22
    - programming sheet B-34
  - position independent code (PIC) 1-7
  - power 2-3
    - low 1-5
    - management 1-5
    - standby modes 1-5
  - Predivider Factor (PD) bits 4-20
  - prescale divider for ESSI 7-15
  - Prescale Modulus Select (PM) bits 7-15
  - Prescaler Clock Enable (PCE) bit 9-24
  - prescaler counter 9-21
  - Prescaler Counter Value (PC) bits 9-23
  - Prescaler Preload Value (PL) bits 9-23
  - Prescaler Range (PSR) bit 7-15
  - Prescaler Source (PS) bits 9-23
  - Program Address Bus (PAB) 1-10
  - Program Address Generator (PAG) 1-7
  - Program Control Unit (PCU) 1-7
  - Program Counter register (PC) 1-8
  - Program Data Bus (PDB) 1-10
  - Program Decode Controller (PDC) 1-7
  - program memory 1-5, 3-1, 3-2
  - program memory expansion 1-9
    - bus 1-10
  - Program ROM, bootstrap 3-1
  - programming model
    - core 4-1
    - DSP core 6-11
    - ESSI 7-12
    - HI08 6-11
      - DSP side 6-11
      - host side 6-20
    - HI08 quick reference 6-28
    - peripherals 5-1
    - SCI 8-8
    - timer 9-21
  - programming sheets
    - list B-1
- ## R
- RAM
    - program 3-1
    - reading status registers 5-2
  - Receive Byte Registers (RXH, RXM, RXL) 6-5, 6-26
  - Receive Clock Mode Source (RCM) 8-17
  - Receive Data (RXD) signal 8-4
  - Receive Data Full (RDF) bit 6-6
  - Receive Data Register (RX) 7-28
  - Receive Data Register Full (RDF) bit 7-27
  - Receive Data Register Full (RDRF) bit 8-16
  - Receive Data Register Full (RXDF) bit 6-26
  - Receive Enable (RE) bit 7-19
  - Receive Exception Interrupt Enable (REIE) bit 7-18
  - Receive Frame Sync Flag (RFS) 7-27
  - Receive Interrupt Enable (RIE) bit 7-18



- Receive Last Slot Interrupt Enable (RLIE) bit 7-18
- Receive Request Enable (RREQ) bit 6-23
- Receive Shift Register 7-28
- Receive Slot Mask Registers (RSMA and RSMB) 7-12, 7-32
- Receive with Exception Interrupt Enable (REIE) bit 8-11
- Received Bit 8 (R8) bit 8-15
- Receiver Enable (RE) bit 8-13
- Receiver Overrun Error Flag (ROE) 7-27
- Receiver Wakeup Enable (RWU) bit 8-13
- register banks 6-4
- RESET** 2-8
- resets
  - hardware and software 6-3
- ROM, bootstrap 1-5, 3-1, 3-2
- Rounding Mode (RM) bit 4-8
- RX clock 7-10
- RXH, RXM, RXL registers 6-26
- S**
- Scaling (S) bit 4-10
- Scaling (S) Mode bits 4-10
- SCI Clock Control Register (SCCR) 8-8, 8-17
  - bit definitions 8-17
  - Clock Divider (CD) 8-17
  - Clock Out Divider (COD) 8-17
  - Clock Prescaler (SCP) 8-17
  - programming sheet B-27
  - Receive Clock Mode Source (RCM) 8-17
  - Transmit Clock Source (TCM) 8-17
- SCI Clock Polarity (SCKP) bit 8-11
- SCI Control Register (SCR) 8-8, 8-10
  - bit definitions 8-11
  - Idle Line Interrupt Enable (ILIE) 8-12
  - programming sheet B-26
  - Receive with Exception Interrupt Enable (REIE) 8-11
  - Receiver Enable (RE) 8-13
  - Receiver Wakeup Enable (RWU) 8-13
  - SCI Clock Polarity (SCKP) 8-11
  - SCI Receive Interrupt Enable (RIE) 8-12
  - SCI Shift Direction (SSFTD) 8-14
  - SCI Transmit Interrupt Enable (TIE) 8-12
  - Send Break (SBK) 8-14
  - Timer Interrupt Enable (TMIE) 8-11
  - Timer Interrupt Rate (STIR) 8-11
  - Transmitter Enable (TE) 8-12
  - Wakeup Mode Select (WAKE) 8-13
  - Wired-OR Mode Select (WOMS) 8-13
  - Word Select (WDS) 8-14
- SCI Interrupt Priority Level (SCL) bits 4-16
- SCI pins
  - RXD, TXD, SCLK 8-3
- SCI Receive Data Register (SRX) 8-8, 8-20
- SCI Receive Interrupt Enable (RIE) bit 8-12
- SCI Serial Clock signal (SCLK) 8-4
- SCI Shift Direction (SSFTD) 8-14
- SCI Status Register (SSR) 8-8, 8-15
  - bit definitions 8-15
  - Framing Error Flag (FE) 8-15
  - Idle Line Flag (IDLE) 8-16
  - Overrun Error Flag (OR) 8-16
  - Parity Error (PE) 8-15
  - Receive Data Register Full (RDRF) 8-16
  - Received Bit 8 (R8) 8-15
  - Transmit Data Register Empty (TDRE) 8-16
  - Transmitter Empty (TRNE) 8-16
- SCI Transmit Data Address Register (STXA) 8-9
- SCI Transmit Data Register (STX or STXA) 8-19
- SCI Transmit Data Register (STX) 8-8, 8-21
- SCI Transmit Interrupt Enable (TIE) bit 8-12
- SCLK 8-2, 8-6
- SCS byte 4-12
- Select SCK (SSC1) bit 7-13
- Send Break (SBK) bit 8-14
- Serial Clock (SCK) 7-3
- Serial Clock (SCLK), SCI 8-2
- Serial Communications Interface (SCI) 1-13, 2-2, 2-18
  - Address Mode Wakeup 8-3
  - Asynchronous mode 8-2
  - bootstrap loading 8-7
  - crystal frequency 8-6
  - data registers 8-19
  - Data Word Formats 8-9
  - enable wakeup function 8-13
  - enable/disable SCI receive data with exception interrupt 8-11
  - exceptions 8-8
    - Idle Line 8-8
    - Receive Data 8-8
    - Receive Data with Exception Status 8-8
    - Timer 8-8
    - Transmit Data 8-8
- GPIO 5-7
- GPIO functionality 8-22
- I/O signals 8-3
- Idle Line Wakeup mode 8-3
- individual reset state (PCR = \$0) 8-6
- initialization 8-6
- Inter-processor messages 8-2
- interrupts 8-6
- Multidrop mode 8-2
- operating mode 8-1
  - Asynchronous 8-1
  - Synchronous 8-1
- programming model 8-8
  - data registers 8-20
- Receive Data (RXD) 8-4
- recover synchronization 8-2
- reset 8-4

- SCI Clock Control Register (SCCR) 8-6, 8-7, 8-8, 8-17
  - bit definitions 8-17
  - Clock Divider (CD) 8-17
  - Clock Out Divider (COD) 8-17
  - Clock Prescaler (SCP) 8-17
  - programming sheet B-27
  - Receive Clock Mode Source (RCM) 8-17
  - Transmit Clock Source (TCM) 8-17
- SCI Control Register (SCR) 8-6, 8-7, 8-8, 8-10
  - bit definitions 8-11
  - Idle Line Interrupt Enable (ILIE) 8-12
  - programming sheet B-26
  - Receive with Exception Interrupt Enable (REIE) 8-11
  - Receiver Enable (RE) 8-13
  - Receiver Wakeup Enable (RWU) 8-13
  - SCI Clock Polarity (SCKP) 8-11
  - SCI Receive Interrupt Enable (RIE) 8-12
  - SCI Shift Direction (SSFTD) 8-14
  - SCI Transmit Interrupt Enable (TIE) 8-12
  - Send Break (SBK) 8-14
  - Timer Interrupt Enable (TMIE) 8-11
  - Timer Interrupt Rate (STIR) 8-11
  - Transmitter Enable (TE) 8-12
  - Wakeup Mode Select (WAKE) 8-13
  - Wired-OR Mode Select (WOMS) 8-13
  - Word Select (WDS) 8-14
- SCI Receive Data Register (SRX) 8-8, 8-20
- SCI Status Register (SSR) 8-8, 8-15
  - bit definitions 8-15
  - Framing Error Flag (FE) 8-15
  - Idle Line Flag (IDLE) 8-16
  - Overrun Error Flag (OR) 8-16
  - Parity Error (PE) 8-15
  - Receive Data Register Full (RDRF) 8-16
  - Received Bit 8 (R8) 8-15
  - Transmit Data Register Empty (TDRE) 8-16
  - Transmitter Empty (TRNE) 8-16
- SCI Transmit Data Address Register (STXA) 8-9
- SCI Transmit Data Register (STX) 8-8
  - select wakeup on idle line mode 8-13
- Serial Clock (SCLK) 8-4, 8-19
  - state after reset 8-5
- Synchronous mode 8-2
  - transmission priority
    - preamble, break, and data 8-7
- transmit and receive shift registers 8-2
- Transmit Data (TXD) 8-4
- Transmit Data Register (STX or STXA) 8-19
- Transmit Data Register (STX) 8-21
- Wired-OR mode 8-3
- Serial Control 0 (SC00 and SC10) signals 7-3
- Serial Control 1 (SC01 and SC11) signals 7-4
- Serial Control 2 (SC02 and SC12) signals 7-5
- Serial Control Direction 0 (SCD0) bit 7-22
- Serial Control Direction 1 (SCD1) bit 7-22
- Serial Control Direction 2 (SCD2) bit 7-21
- Serial Input Flag 0 (IF0) bit 7-4, 7-28
- Serial Input Flag 1 (IF1) bit 7-28
- Serial Output Flag (OF0–OF1) bits 7-17
- Serial Output Flag 0 (OF0) bit 7-4, 7-22
- Serial Output Flag 1 (OF1) bit 7-22
- Serial Receive Data (SRD) signal 7-3
- Serial Transmit Data (STD) signal 7-2
- setting timer operating mode 9-3
- Shift Direction (SHFD) bit 7-21
- signals 2-1
- signals, functional groups 2-2
- single data strobe mode 2-2
- Sixteen-Bit Arithmetic Mode (SA) bit 4-8
- Sixteen-Bit Compatibility (SC) mode bit 4-9
- Sixteen-bit Compatibility mode 3-5
- Size register (SZ) 1-8
- software polling 6-5
- SRAM, interfacing 1-9
- Stack Counter register (SC) 1-8
- Stack Extension Enable (SEN) bit 4-12
- Stack Extension Overflow Flag (EOV) bit 4-12
- Stack Extension Underflow Flag (EUN) bit 4-13
- Stack Extension Wrap Flag (WRP) bit 4-12
- Stack Extension XY Select (XYS) bit 4-13
- Stack Pointer (SP) 1-8
- standby mode
  - Stop 1-5
  - Wait 1-5
- Status Register (SR) 1-8, 4-7, 4-8
  - bit definitions 4-8
  - Condition Code Register (CCR) 4-7
    - Carry (C) 4-11
    - Extension (E) 4-11
    - Limit (L) 4-10
    - Negative (N) 4-11
    - Overflow (V) 4-11
    - Scaling (S) 4-10
    - Unnormalized (U) 4-11
    - Zero (Z) 4-11
  - Extended Mode Register (EMR) 4-7
    - Arithmetic Saturation Mode (SM) 4-8
    - Cache Enable (CE) 4-8
    - Core Priority (CP) 4-7, 4-8
    - DO FOREVER (FV) Flag 4-9
    - Instruction Cache Enable (CE) 4-7
    - Rounding Mode (RM) 4-8
    - Sixteen-Bit Arithmetic Mode (SA) 4-8
  - Mode Register (MR) 4-7
    - Do Loop Flag (LF) 4-9
    - Double-Precision Multiply Mode (DM) 4-9
    - Interrupt Mask (I) 4-10
    - Scaling (S) Mode 4-10
    - Sixteen-Bit Compatibility (SC) Mode 4-9

- programming sheet B-10
- status registers, reading 5-2
- Stop Delay Mode (SD) bit 4-14
- STOP instruction 6-20, 8-5
- Stop standby mode 1-5
- Switch mode 1-5
- switching memory configuration dynamically 3-5
- switching memory sizes 3-2
- Synchronous mode 7-9, 7-10, 7-12, 8-2, 8-16
- Synchronous Serial Interface Status Register (SSISR) 7-12, 7-26
  - Receive Data Register Full (RDF) 7-27
  - Receiver Frame Sync Flag (RFS) 7-27
  - Receiver Overrun Error Flag (ROE) 7-27
  - Serial Input Flag 0 (IF0) 7-28
  - Serial Input Flag 1 (IF1) 7-28
  - Transmit Data Register Empty (TDE) 7-27
  - Transmit Frame Sync Flag (TFS) 7-27
  - Transmitter Underrun Error Flag (TUE) 7-27
- Synchronous/Asynchronous (SYN) bit 7-20

## T

- $\overline{TA}$  Synchronize Select (TAS) bit 4-13
- Test Access Port (TAP) 1-5, 1-8
- Time Slot Register (TSR) 7-31
- timer 2-2, 2-19
  - after Reset 9-3
  - enabling 9-4
  - exception 9-4
    - Compare 9-4
    - Overflow 9-4
  - GPIO 5-8
  - initialization 9-3
  - operating modes 9-5
    - Capture (mode 6) 9-5, 9-11, 9-15
    - Event Counter (mode 3) 9-5, 9-10
    - GPIO (mode 0) 9-5
    - Input Period (mode 5) 9-5, 9-11, 9-13
    - Input Width (mode 4) 9-5, 9-11, 9-12
    - overview 9-5
    - Pulse (mode 1) 9-5, 9-7
    - Pulse Width Modulation (PWM) (mode 7) 9-5, 9-11, 9-16
    - reserved 9-20
    - setting 9-3
    - signal measurement modes 9-11
    - Toggle (mode 2) 9-5, 9-8
    - watchdog modes 9-18
      - Watchdog Pulse (mode 9) 9-5, 9-18
      - Watchdog Toggle (mode 10) 9-5, 9-18
  - prescaler counter 9-21
  - programming model 9-21
  - special cases 9-21
  - timer compare interrupts 9-27

- Timer Compare Register (TCPR) 9-28
- Timer Control/Status Register (TCSR) 9-24
  - Data Input (DI) 9-25
  - Data Output (DO) 9-25
  - Direction (DIR) 9-25
  - Inverter (INV) 9-25, 9-27
  - Prescaler Clock Enable (PCE) 9-24
  - Timer Compare Flag (TCF) 9-24
  - Timer Compare Interrupt Enable (TCIE) 9-27
  - Timer Control (TC) 9-26
  - Timer Enable (TE) 9-27
  - Timer Overflow Flag (TOF) 9-24
  - Timer Overflow Interrupt Enable (TOIE) 9-27
  - Timer Reload Mode (TRM) 9-25
- Timer Count Register (TCR) 9-29
- Timer Load Registers (TLR) 9-28
- Timer Prescaler Count Register (TPCR) 9-23
  - Prescaler Counter Value (PC) 9-23
- Timer Prescaler Load Register (TPLR) 9-22
  - bit definitions 9-23
  - Prescaler Preload Value (PL) 9-23
  - Prescaler Source (PS) 9-23
- Timer Compare Flag (TCF) bit 9-24
- Timer Compare Interrupt Enable (TCIE) bit 9-27
- Timer Compare Register (TCPR) 9-4, 9-28
- Timer Control (TC) bits 9-26
- Timer Control/Status Register (TCSR) 9-3, 9-24
  - bit definitions 9-24
  - Data Input (DI) 9-25
  - Data Output (DO) 9-25
  - Direction (DIR) 9-25
  - Inverter (INV) 9-25, 9-27
  - Prescaler Clock Enable (PCE) 9-24
  - programming sheet B-29
  - Timer Compare Flag (TCF) 9-24
  - Timer Compare Interrupt Enable (TCIE) 9-27
  - Timer Control (TC) 9-26
  - Timer Enable (TE) 9-27
  - Timer Overflow Flag (TOF) 9-24
  - Timer Overflow Interrupt Enable (TOIE) 9-27
  - Timer Reload Mode (TRM) 9-25
- Timer Count Register (TCR) 9-29
- Timer Enable (TE) bit 9-27
- Timer Interrupt Enable (TMIE) bit 8-11
- Timer Interrupt Priority Level (TOL) bits 4-16
- Timer Interrupt Rate (STIR) bit 8-11
- Timer Load Registers (TLR) 9-4, 9-28
  - programming sheet B-30
- Timer module
  - architecture 9-1
  - timer block diagram 9-2
- Timer Overflow Flag (TOF) bit 9-24
- Timer Overflow Interrupt Enable (TOIE) bit 9-27
- Timer Prescaler Count Register (TPCR) 9-23
  - bit definitions 9-23



Prescaler Counter Value (PC) 9-23  
 Timer Prescaler Load Register (TPLR) 9-4, 9-22  
     bit definitions 9-23  
     Prescaler Preload Value (PL) 9-23  
     Prescaler Source (PS) 9-23  
     programming sheet B-28  
 Timer Reload Mode (TRM) bit 9-25  
 Transmit 0 Enable (TE0) bit 7-19  
 Transmit 1 Enable (TE1) bit 7-19  
 Transmit 2 Enable (TE2) bit 7-20  
 Transmit Byte Registers (TXH, TXM, TXL) 6-5, 6-27  
 Transmit Clock Source (TDM) bit 8-17  
 Transmit Data Empty (TDE) bit 6-6  
 Transmit Data Register Empty (TDE) bit 7-27  
 Transmit Data Register Empty (TDRE) bit 8-16  
 Transmit Data Register Empty (TXDE) bit 6-25  
 Transmit Data Registers (TX0–TX2) 7-12, 7-31  
 Transmit Data Registers (TXH, TXM, TXL) 6-5  
 Transmit Data signal (TXD) 8-4  
 Transmit Enable (TE) bits 7-17  
 Transmit Exception Interrupt Enable (TEIE) bit 7-18  
 Transmit Frame Sync Flag (TFS) 7-27  
 Transmit Interrupt Enable (TIE) bit 7-18  
 Transmit Last Slot Interrupt Enable (TLIE) bit 7-18  
 Transmit Request Enable (TREQ) bit 6-23  
 Transmit Shift Registers 7-28  
 Transmit Slot Mask Registers (TSMA and TSMB) 7-12,  
     7-31  
 Transmitter Empty (TRNE) bit 8-16  
 Transmitter Enable (TE) bit 8-12  
 Transmitter Ready (TRDY) bit 6-25  
 Transmitter Underrun Error Flag (TUE) 7-27  
 triple timer module 1-13  
 TX clock 7-10  
 TXD signal 8-4  
 TXH, TXM, TXL registers 6-27

## U

Unnormalized (U) bit 4-11

## V

Vector Base Address register (VBA) 1-8

## W

Wait standby mode 1-5  
 Wakeup Mode Select (WAKE) bit 8-13  
 Wired-OR Mode Select (WOMS) bit 8-13  
 Word Length Control (WL) bits 7-14  
 Word Select (WDS) bits 8-14

## X

X data memory 1-5, 3-3

X I/O space 3-3, 3-4  
 X Memory Address Bus (XAB) 1-10  
 X Memory Data Bus (XDB) 1-10  
 X Memory Expansion Bus 1-10  
 XTAL Disable (XTLD) bit 4-20

## Y

Y data memory 1-5, 3-4  
 Y Memory Address Bus (YAB) 1-10  
 Y Memory Data Bus (YDB) 1-10  
 Y Memory Expansion Bus 1-10

## Z

Zero (Z) bit 4-11





