

# DAC1405D650

Dual 14-bit DAC, up to 650 Msps; 2×, 4× and 8× interpolating

Rev. 3 — 10 September 2010

Product data sheet

## 1. General description

The DAC1405D650 is a high-speed 14-bit dual channel Digital-to-Analog Converter (DAC) with selectable 2×, 4× or 8× interpolating filters optimized for multi-carrier wireless transmitters.

Thanks to its digital on-chip modulation, the DAC1405D650 allows the complex I and Q inputs to be converted up from baseband to IF. The mixing frequency is adjusted via a Serial Peripheral Interface (SPI) with a 32-bit Numerically Controlled Oscillator (NCO) and the phase is controlled by a 16-bit register.

Two modes of operation are available: separate data ports or a single interleaved high-speed data port. In the Interleaved mode, the input data stream is demultiplexed into its original I and Q data and then latched.

The DAC1405D650 also includes a 2×, 4× and 8× clock multiplier which provides the appropriate internal clocks and an internal regulator to adjust the output full-scale current.

## 2. Features and benefits

- Dual 14-bit resolution
- 650 Msps maximum update rate
- Selectable 2×, 4× or 8× interpolation filters
- Input data rate up to 160 Msps
- Very low noise cap-free integrated PLL
- 32-bit programmable NCO frequency
- Dual port or Interleaved data modes
- 1.8 V and 3.3 V power supplies
- LVDS compatible clock
- Two's complement or binary offset data format
- 3.3 V CMOS input buffers
- IMD3: 80 dBc;  $f_s = 640$  Msps;  $f_o = 96$  MHz
- ACPR: 71 dBc; 2 carriers WCDMA;  $f_s = 614.4$  Msps;  $f_o = 96$  MHz; PLL on
- Typical 0.95 W power dissipation at 4× interpolation
- Power-down and Sleep modes
- Differential scalable output current from 1.6 mA to 22 mA
- On-chip 1.25 V reference
- External analog offset control (10-bit auxiliary DACs)
- Internal digital offset control
- Inverse (sin x) / x function
- Fully compatible SPI port
- Industrial temperature range from  $-40$  °C to  $+85$  °C



### 3. Applications

- Wireless infrastructure: LTE, WiMAX, GSM, CDMA, WCDMA, TD-SCDMA
- Communication: LMDS/MMDS, point-to-point
- Direct Digital Synthesis (DDS)
- Broadband wireless systems
- Digital radio links
- Instrumentation
- Automated Test Equipment (ATE)

### 4. Ordering information

Table 1. Ordering information

Type number	Package		
	Name	Description	Version
DAC1405D650HW	HTQFP100	plastic thermal enhanced thin quad flat package; 100 leads; body 14 × 14 × 1 mm; exposed die pad	SOT638-1

## 5. Block diagram

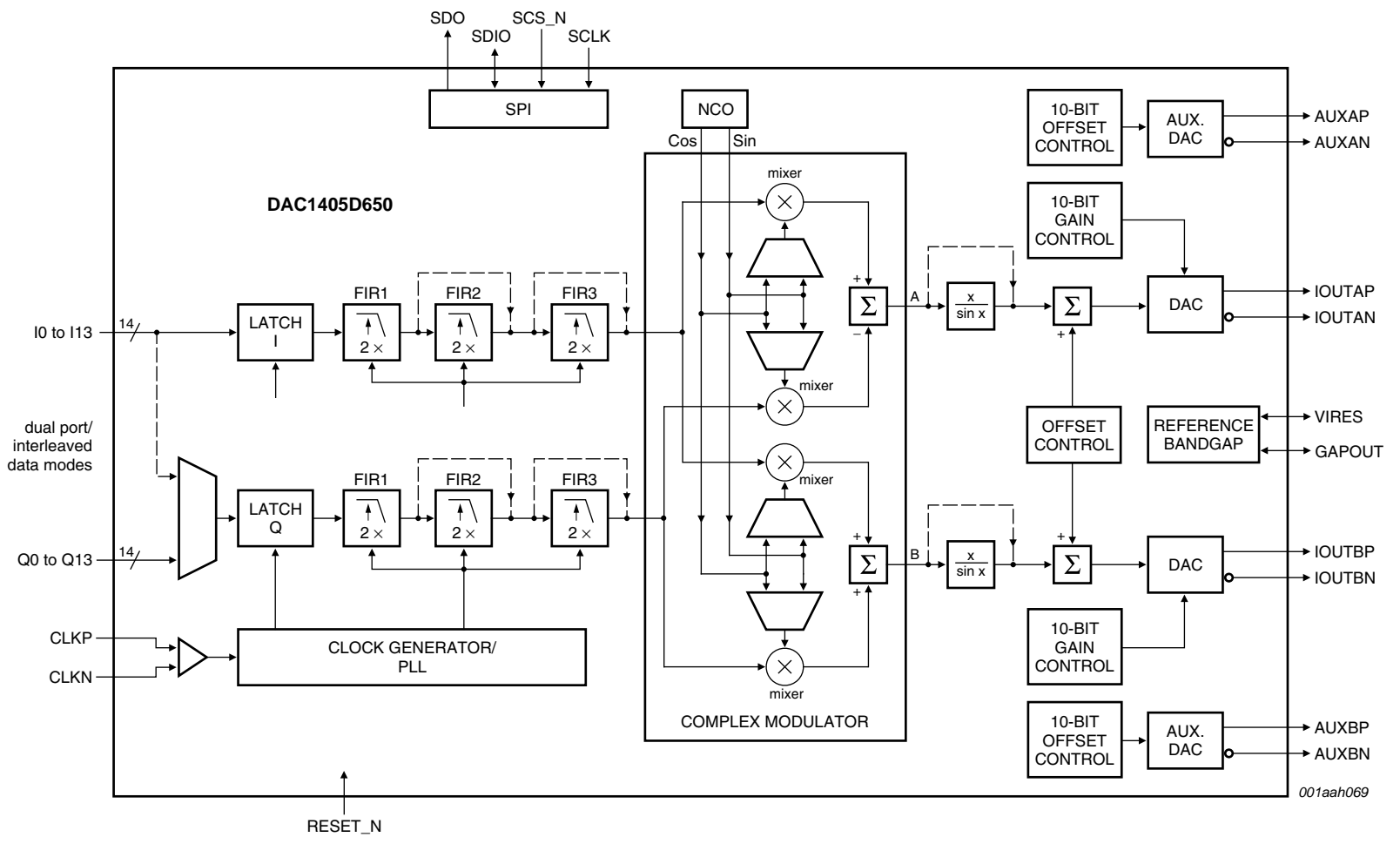
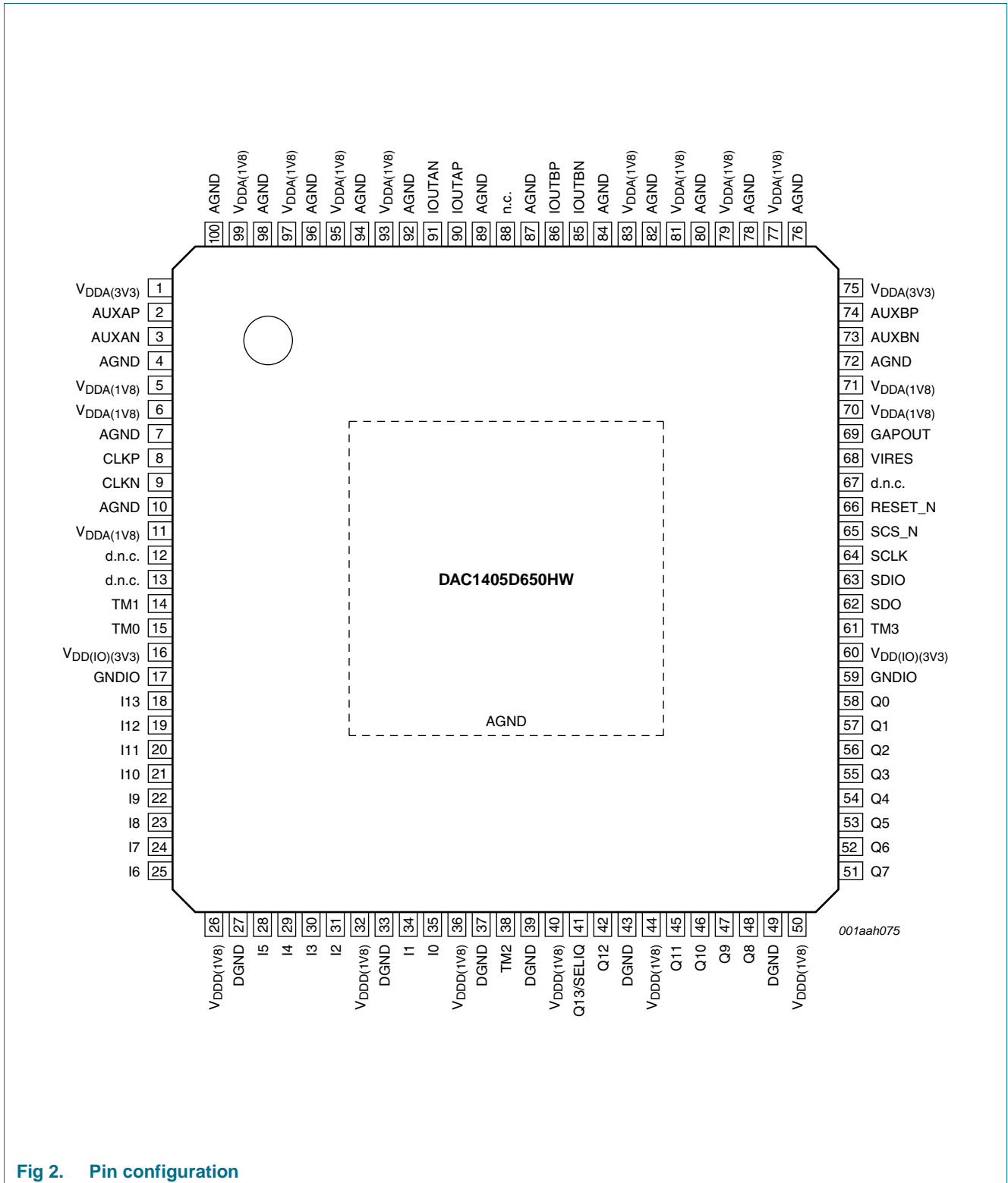


Fig 1. Block diagram

## 6. Pinning information

### 6.1 Pinning



## 6.2 Pin description

**Table 2. Pin description**

Symbol	Pin	Type <sup>[1]</sup>	Description
V <sub>DDA(3V3)</sub>	1	P	analog supply voltage 3.3 V
AUXAP	2	O	auxiliary DAC B output current
AUXAN	3	O	complementary auxiliary DAC B output current
AGND	4	G	analog ground
V <sub>DDA(1V8)</sub>	5	P	analog supply voltage 1.8 V
V <sub>DDA(1V8)</sub>	6	P	analog supply voltage 1.8 V
AGND	7	G	analog ground
CLKP	8	I	clock input
CLKN	9	I	complementary clock input
AGND	10	G	analog ground
V <sub>DDA(1V8)</sub>	11	P	analog supply voltage 1.8 V
d.n.c.	12	-	do not connect
d.n.c.	13	-	do not connect
TM1	14	I/O	test mode 1 (to connect to DGND)
TM0	15	I/O	test mode 0 (to connect to DGND)
V <sub>DD(IO)(3V3)</sub>	16	P	input/output buffers supply voltage 3.3 V
GNDIO	17	G	input/output buffers ground
I13	18	I	I data input bit 13 (MSB)
I12	19	I	I data input bit 12
I11	20	I	I data input bit 11
I10	21	I	I data input bit 10
I9	22	I	I data input bit 9
I8	23	I	I data input bit 8
I7	24	I	I data input bit 7
I6	25	I	I data input bit 6
V <sub>DDD(1V8)</sub>	26	P	digital supply voltage 1.8 V
DGND	27	G	digital ground
I5	28	I	I data input bit 5
I4	29	I	I data input bit 4
I3	30	I	I data input bit 3
I2	31	I	I data input bit 2
V <sub>DDD(1V8)</sub>	32	P	digital supply voltage 1.8 V
DGND	33	G	digital ground
I1	34	I	I data input bit 1
I0	35	I	I data input bit 0 (LSB)
V <sub>DDD(1V8)</sub>	36	P	digital supply voltage 1.8 V
DGND	37	G	digital ground
TM2	38	-	test mode 2 (to connect to DGND)
DGND	39	G	digital ground

Table 2. Pin description ...continued

Symbol	Pin	Type <sup>[1]</sup>	Description
V <sub>DD(1V8)</sub>	40	P	digital supply voltage 1.8 V
Q13/SELIQ	41	I	Q data input bit 13 (MSB)/select IQ in Interleaved mode
Q12	42	I	Q data input bit 12
DGND	43	G	digital ground
V <sub>DD(1V8)</sub>	44	P	digital supply voltage 1.8 V
Q11	45	I	Q data input bit 11
Q10	46	I	Q data input bit 10
Q9	47	I	Q data input bit 9
Q8	48	I	Q data input bit 8
DGND	49	G	digital ground
V <sub>DD(1V8)</sub>	50	P	digital supply voltage 1.8 V
Q7	51	I	Q data input bit 7
Q6	52	I	Q data input bit 6
Q5	53	I	Q data input bit 5
Q4	54	I	Q data input bit 4
Q3	55	I	Q data input bit 3
Q2	56	I	Q data input bit 2
Q1	57	I	Q data input bit 1
Q0	58	I	Q data input bit 0 (LSB)
GNDIO	59	G	input/output buffers ground
V <sub>DD(IO)(3V3)</sub>	60	P	input/output buffers supply voltage 3.3 V
TM3	61	I/O	test mode 3 (to connect to DGND)
SDO	62	O	SPI data output
SDIO	63	I/O	SPI data input/output
SCLK	64	I	SPI clock
SCS_N	65	I	SPI chip select (active LOW)
RESET_N	66	I	general reset (active LOW)
d.n.c.	67	-	do not connect
VIRES	68	I/O	DAC biasing resistor
GAPOUT	69	I/O	bandgap input/output voltage
V <sub>D(1V8)</sub>	70	P	analog supply voltage 1.8 V
V <sub>D(1V8)</sub>	71	P	analog supply voltage 1.8 V
AGND	72	G	analog ground
AUXBN	73	O	auxiliary DAC B output current
AUXBP	74	O	complementary auxiliary DAC B output current
V <sub>D(3V3)</sub>	75	P	analog supply voltage 3.3 V
AGND	76	G	analog ground
V <sub>D(1V8)</sub>	77	P	analog supply voltage 1.8 V
AGND	78	G	analog ground
V <sub>D(1V8)</sub>	79	P	analog supply voltage 1.8 V
AGND	80	G	analog ground

Table 2. Pin description ...continued

Symbol	Pin	Type <sup>[1]</sup>	Description
V <sub>DDA(1V8)</sub>	81	P	analog supply voltage 1.8 V
AGND	82	G	analog ground
V <sub>DDA(1V8)</sub>	83	P	analog supply voltage 1.8 V
AGND	84	G	analog ground
IOUTBN	85	O	complementary DAC B output current
IOUTBP	86	O	DAC B output current
AGND	87	G	analog ground
n.c.	88	-	not connected
AGND	89	G	analog ground
IOUTAP	90	O	DAC A output current
IOUTAN	91	O	complementary DAC A output current
AGND	92	G	analog ground
V <sub>DDA(1V8)</sub>	93	P	analog supply voltage 1.8 V
AGND	94	G	analog ground
V <sub>DDA(1V8)</sub>	95	P	analog supply voltage 1.8 V
AGND	96	G	analog ground
V <sub>DDA(1V8)</sub>	97	P	analog supply voltage 1.8 V
AGND	98	G	analog ground
V <sub>DDA(1V8)</sub>	99	P	analog supply voltage 1.8 V
AGND	100	G	analog ground
AGND	H <sup>[2]</sup>	G	analog ground

[1] P = power supply  
 G = ground  
 I = input  
 O = output.

[2] H = heatsink (exposed die pad to be soldered)

## 7. Limiting values

**Table 3. Limiting values**

In accordance with the Absolute Maximum Rating System (IEC 60134).

Symbol	Parameter	Conditions	Min	Max	Unit
$V_{DD(I/O)(3V3)}$	input/output supply voltage (3.3 V)		-0.5	+4.6	V
$V_{DDA(3V3)}$	analog supply voltage (3.3 V)		-0.5	+4.6	V
$V_{DDA(1V8)}$	analog supply voltage (1.8 V)		-0.5	+3.0	V
$V_{DDD(1V8)}$	digital supply voltage (1.8 V)		-0.5	+3.0	V
$V_I$	input voltage	pins CLKP, CLKN, VIRES and GAPOUT referenced to AGND	-0.5	+3.0	V
		pins I13 to I0, Q13 to Q0, SDO, SDIO, SCLK, SCS_N and RESET_N referenced to GNDIO	-0.5	+4.6	V
$V_O$	output voltage	pins IOUTAP, IOUTAN, IOUTBP, IOUTBN, AUXAP, AUXAN, AUXBP and AUXBN referenced to AGND	-0.5	+4.6	V
$T_{stg}$	storage temperature		-55	+150	°C
$T_{amb}$	ambient temperature		-45	+85	°C
$T_j$	junction temperature		-	125	°C

## 8. Thermal characteristics

**Table 4. Thermal characteristics**

Symbol	Parameter	Conditions	Typ	Unit
$R_{th(j-a)}$	thermal resistance from junction to ambient		[1] 19.8	K/W
$R_{th(j-c)}$	thermal resistance from junction to case		[1] 7.7	K/W

[1] In compliance with JEDEC test board, in free air.



## 9. Characteristics

**Table 5. Characteristics**

$V_{DDA(1V8)} = V_{DDD(1V8)} = 1.8\text{ V}$ ;  $V_{DDA(3V3)} = V_{DD(IO)(3V3)} = 3.3\text{ V}$ ; AGND, DGND and GNDIO shorted together;  $T_{amb} = -40\text{ °C}$  to  $+85\text{ °C}$ ; typical values measured at  $T_{amb} = 25\text{ °C}$ ;  $R_L = 50\ \Omega$ ;  $I_{O(fs)} = 20\text{ mA}$ ; maximum sample rate; PLL on unless otherwise specified.

Symbol	Parameter	Conditions	Test [1]	Min	Typ	Max	Unit
$V_{DD(IO)(3V3)}$	input/output supply voltage (3.3 V)		I	3.0	3.3	3.6	V
$V_{DDA(3V3)}$	analog supply voltage (3.3 V)		I	3.0	3.3	3.6	V
$V_{DDA(1V8)}$	analog supply voltage (1.8 V)		I	1.7	1.8	1.9	V
$V_{DDD(1V8)}$	digital supply voltage (1.8 V)		I	1.7	1.8	1.9	V
$I_{DD(IO)(3V3)}$	input/output supply current (3.3 V)	$f_o = 19\text{ MHz}$ ; $f_s = 640\text{ Msps}$ ; 8× interpolation; NCO on	I	-	5	13	mA
$I_{DDA(3V3)}$	analog supply current (3.3 V)	$f_o = 19\text{ MHz}$ ; $f_s = 640\text{ Msps}$ ; 8× interpolation; NCO on	I	-	48	52	mA
$I_{DDD(1V8)}$	digital supply current (1.8 V)	$f_o = 19\text{ MHz}$ ; $f_s = 640\text{ Msps}$ ; 8× interpolation; NCO on	I	-	270	309	mA
$I_{DDA(1V8)}$	analog supply current (1.8 V)	$f_o = 19\text{ MHz}$ ; $f_s = 640\text{ Msps}$ ; 8× interpolation; NCO on	I	-	330	358	mA
$I_{DDD}$	digital supply current	for x / (sin x) function only	I	-	67	-	mA
$P_{tot}$	total power dissipation	$f_o = 19\text{ MHz}$ ; $f_s = 320\text{ Msps}$ ; 4× interpolation; NCO off; DAC B off	C	-	0.53	-	W
		$f_o = 19\text{ MHz}$ ; $f_s = 320\text{ Msps}$ ; 4× interpolation; NCO off	C	-	0.82	-	W
		$f_o = 19\text{ MHz}$ ; $f_s = 320\text{ Msps}$ ; 4× interpolation; NCO on	C	-	0.94	-	W
		$f_o = 19\text{ MHz}$ ; $f_s = 640\text{ Msps}$ ; 8× interpolation; NCO off	C	-	0.95	-	W
		$f_o = 19\text{ MHz}$ ; $f_s = 640\text{ Msps}$ ; 8× interpolation; NCO on; All $V_{DD}$	I	-	1.18	1.4	W
		$f_o = 19\text{ MHz}$ ; $f_s = 640\text{ Msps}$ ; 8× interpolation; NCO low power on	C	-	1.07	-	W
		Power-down mode					
	full power-down; All $V_{DD}$	I	-	0.08	0.13	-	W
	DAC A and DAC B Sleep mode; 8× interpolation; NCO on	I	-	0.88	-	-	W

**Table 5. Characteristics ...continued**

$V_{DDA(1V8)} = V_{DDD(1V8)} = 1.8\text{ V}$ ;  $V_{DDA(3V3)} = V_{DD(I/O)(3V3)} = 3.3\text{ V}$ ; AGND, DGND and GNDIO shorted together;  $T_{amb} = -40\text{ °C}$  to  $+85\text{ °C}$ ; typical values measured at  $T_{amb} = 25\text{ °C}$ ;  $R_L = 50\text{ }\Omega$ ;  $I_{O(fs)} = 20\text{ mA}$ ; maximum sample rate; PLL on unless otherwise specified.

Symbol	Parameter	Conditions	Test [1]	Min	Typ	Max	Unit
<b>Clock inputs (CLKP and CLKN)[2]</b>							
$V_i$	input voltage	CLKP; or CLKN $ V_{gpd}  < 50\text{ mV}$	C	[3] 825	-	1575	mV
$V_{idth}$	input differential threshold voltage	$ V_{gpd}  < 50\text{ mV}$	C	[3] -100	-	+100	mV
$R_i$	input resistance		D	-	10	-	M $\Omega$
$C_i$	input capacitance		D	-	0.5	-	pF
<b>Digital inputs (I0 to I13, Q0 to Q13)</b>							
$V_{iL}$	LOW-level input voltage		C	GNDIO	-	1.0	V
$V_{iH}$	HIGH-level input voltage		C	2.3	-	$V_{DD(I/O)(3V3)}$	V
$I_{iL}$	LOW-level input current	$V_{iL} = 1.0\text{ V}$	I	-	60	-	$\mu\text{A}$
$I_{iH}$	HIGH-level input current	$V_{iH} = 2.3\text{ V}$	I	-	80	-	$\mu\text{A}$
<b>Digital inputs (SDO, SDIO, SCLK, SCS_N and RESET_N)</b>							
$V_{iL}$	LOW-level input voltage		C	GNDIO	-	1.0	V
$V_{iH}$	HIGH-level input voltage		C	2.3	-	$V_{DD(I/O)(3V3)}$	V
$I_{iL}$	LOW-level input current	$V_{iL} = 1.0\text{ V}$	I	-	20	-	nA
$I_{iH}$	HIGH-level input current	$V_{iH} = 2.3\text{ V}$	I	-	20	-	nA
<b>Analog outputs (IOUTAP, IOUTAN, IOUTBP and IOUTBN)</b>							
$I_{O(fs)}$	full-scale output current	register value = 00h	C	-	1.6	-	mA
		default register	C	-	20	-	mA
$V_O$	output voltage	compliance range	C	1.8	-	$V_{DDA(3V3)}$	V
$R_o$	output resistance		D	-	250	-	k $\Omega$
$C_o$	output capacitance		D	-	3	-	pF
$N_{DAC(mono)}$	DAC monotonicity	guaranteed	D	-	8	-	bit
$\Delta E_O$	offset error variation		C	-	6	-	ppm/°C
$\Delta E_G$	gain error variation		C	-	18	-	ppm/°C
<b>Reference voltage output (GAPOUT)</b>							
$V_{O(ref)}$	reference output voltage	$T_{amb} = 25\text{ °C}$	I	1.2	1.25	1.29	V
$\Delta V_{O(ref)}$	reference output voltage variation		C	-	117	-	ppm/°C
$I_{O(ref)}$	reference output current	external voltage 1.25 V	D	-	40	-	$\mu\text{A}$

**Table 5. Characteristics ...continued**

$V_{DDA(1V8)} = V_{DDD(1V8)} = 1.8\text{ V}$ ;  $V_{DDA(3V3)} = V_{DD(I/O)(3V3)} = 3.3\text{ V}$ ; AGND, DGND and GNDIO shorted together;  $T_{amb} = -40\text{ °C}$  to  $+85\text{ °C}$ ; typical values measured at  $T_{amb} = 25\text{ °C}$ ;  $R_L = 50\ \Omega$ ;  $I_{O(fs)} = 20\text{ mA}$ ; maximum sample rate; PLL on unless otherwise specified.

Symbol	Parameter	Conditions	Test [1]	Min	Typ	Max	Unit	
<b>Analog auxiliary outputs (AUXAP, AUXAN, AUXBP and AUXBN)</b>								
$I_{O(aux)}$	auxiliary output current	differential outputs	I	-	2.2	-	mA	
$V_{O(aux)}$	auxiliary output voltage	compliance range	C	0	-	2	V	
$N_{DAC(aux)mono}$	auxiliary DAC monotonicity	guaranteed	D	-	10	-	bit	
<b>Input timing (see Figure 10)</b>								
$f_{data}$	data rate	Dual-port mode input	C	-	-	160	MHz	
$t_{w(CLK)}$	CLK pulse width		C	1.5	-	$T_{data} - 1.5$	ns	
$t_{h(i)}$	input hold time		C	1.1	-	-	ns	
$t_{su(i)}$	input set-up time		C	1.1	-	-	ns	
<b>Output timing</b>								
$f_s$	sampling frequency		C	-	-	650	Msp/s	
$t_s$	settling time	to $\pm 0.5$ LSB	D	-	20	-	ns	
<b>NCO frequency range; <math>f_s = 640</math> Msp/s</b>								
$f_{NCO}$	NCO frequency	register value = 00000000h	D	-	0	-	MHz	
		register value = FFFFFFFFh	D	-	640	-	MHz	
$f_{step}$	step frequency		D	-	0.149	-	Hz	
<b>Low-power NCO frequency range; <math>f_{DAC} = 640</math> MHz</b>								
$f_{NCO}$	NCO frequency	register value = 00000000h	D	-	0	-	MHz	
		register value = F8000000h	D	-	620	-	MHz	
$f_{step}$	step frequency		D	-	20	-	MHz	
<b>Dynamic performance; PLL on</b>								
SFDR	spurious-free dynamic range	$f_{data} = 80\text{ MHz}$ ; $f_s = 320\text{ Msp/s}$ ; $BW = f_{data} / 2$						
		$f_o = 35\text{ MHz}$ at 0 dBFS	C	-	84	-	dBc	
		$f_{data} = 80\text{ MHz}$ ; $f_s = 640\text{ Msp/s}$ ; $BW = f_{data} / 2$						
		$f_o = 4\text{ MHz}$ at 0 dBFS	I	-	77	-	dBc	
		$f_o = 19\text{ MHz}$ at 0 dBFS	I	-	76	-	dBc	
SFDR <sub>RBW</sub>	restricted bandwidth spurious-free dynamic range	$f_{data} = 160\text{ MHz}$ ; $f_s = 640\text{ Msp/s}$ ; $BW = f_{data} / 2$						
		$f_o = 70\text{ MHz}$ at 0 dBFS	C	-	84	-	dBc	
		$f_s = 640\text{ Msp/s}$ ; $f_o = 96\text{ MHz}$ at 0 dBFS						
		$2.51\text{ MHz} \leq f_{offset} \leq 2.71\text{ MHz}$ ; $B = 30\text{ kHz}$	I	-	-93	-86	dBc	
		$2.71\text{ MHz} \leq f_{offset} \leq 3.51\text{ MHz}$ ; $B = 30\text{ kHz}$	I	-	-92	-	dBc	
		$3.51\text{ MHz} \leq f_{offset} \leq 4\text{ MHz}$ ; $B = 30\text{ kHz}$	I	-	-93	-88	dBc	
		$4\text{ MHz} \leq f_{offset} \leq 40\text{ MHz}$ ; $B = 1\text{ MHz}$	I	-	-85	-72	dBc	

**Table 5. Characteristics ...continued**

$V_{DDA(1V8)} = V_{DDD(1V8)} = 1.8\text{ V}$ ;  $V_{DDA(3V3)} = V_{DD(I/O)(3V3)} = 3.3\text{ V}$ ; AGND, DGND and GNDIO shorted together;  $T_{amb} = -40\text{ °C}$  to  $+85\text{ °C}$ ; typical values measured at  $T_{amb} = 25\text{ °C}$ ;  $R_L = 50\ \Omega$ ;  $I_{O(fs)} = 20\text{ mA}$ ; maximum sample rate; PLL on unless otherwise specified.

Symbol	Parameter	Conditions	Test [1]	Min	Typ	Max	Unit	
IMD3	third-order intermodulation distortion	$f_{o1} = 49\text{ MHz}$ ; $f_{o2} = 51\text{ MHz}$ ; $f_s = 320\text{ Msps}$ ; 4× interpolation	C	[4] -	82	-	dBc	
		$f_{o1} = 95\text{ MHz}$ ; $f_{o2} = 97\text{ MHz}$ ; $f_s = 320\text{ Msps}$ ; 4× interpolation	C	[4] -	80	-	dBc	
		$f_{o1} = 95\text{ MHz}$ ; $f_{o2} = 97\text{ MHz}$ ; $f_s = 640\text{ Msps}$ ; 8× interpolation	I	[4] 67	80	-	dBc	
		$f_{o1} = 152\text{ MHz}$ ; $f_{o2} = 154\text{ MHz}$ ; $f_s = 640\text{ Msps}$ ; 8× interpolation	C	[4] -	77	-	dBc	
ACPR	adjacent channel power ratio	$f_{data} = 76.8\text{ MHz}$ ; $f_s = 614.4\text{ Msps}$ ; $f_o = 96\text{ MHz}$						
		1 carrier; BW = 5 MHz	I	-	72	-	dB	
		2 carriers; BW = 10 MHz	C	-	71	-	dB	
		4 carriers; BW = 20 MHz	C	-	69	-	dB	
		$f_{data} = 153.6\text{ MHz}$ ; $f_s = 614.4\text{ Msps}$ ; $f_o = 115.2\text{ MHz}$						
		1 carrier; BW = 5 MHz	C	-	70	-	dB	
		2 carriers; BW = 10 MHz	C	-	70	-	dB	
		4 carriers; BW = 20 MHz	C	-	67	-	dB	
		$f_{data} = 153.6\text{ MHz}$ ; $f_s = 614.4\text{ Msps}$ ; $f_o = 153.6\text{ MHz}$						
		1 carrier; BW = 5 MHz	C	-	69	-	dB	
		2 carriers; BW = 10 MHz	C	-	69	-	dB	
		4 carriers; BW = 20 MHz	C	-	66	-	dB	
NSD	noise spectral density	$f_s = 640\text{ Msps}$ ; 8× interpolation; $f_o = 19\text{ MHz}$ at 0 dBFS						
		noise shaper disable	C	-	-154	-	dBm/Hz	
		noise shaper enable	C	-	-157	-	dBm/Hz	

- [1] D = guaranteed by design; C = guaranteed by characterization; I = 100 % industrially tested.
- [2] CLKP and CLKN inputs are at differential LVDS levels. An external differential resistor with a value of between 80 Ω and 120 Ω should be connected across the pins (see Figure 8).
- [3]  $|V_{gpd}|$  represents the ground potential difference voltage. This is the voltage that results from current flowing through the finite resistance and the inductance between the receiver and the driver circuit ground voltages.
- [4] IMD3 rejection with -6 dBFS/tone.

## 10. Application information

### 10.1 General description

The DAC1405D650 is a dual 14-bit DAC operating at up to 650 Msps. Each DAC consists of a segmented architecture, comprising a 6-bit thermometer sub-DAC and an 8-bit binary weighted sub-DAC.

With an input data rate of up to 160 MHz, and a maximum output sampling rate of 650 Msps, the DAC1405D650 allows more flexibility for wide bandwidth and multi-carrier systems. Combined with its quadrature modulator and its 32-bit NCO, the DAC1405D650 simplifies the frequency selection of the system. This is also possible because of the 2×, 4× and 8× interpolation filters that remove undesired images.

Two modes are available for the digital input. In the Dual-port mode, each DAC uses its own data input line and in the Interleaved mode, both DACs use the same data input line.

Each DAC generates two complementary current outputs on pins IOUTAP/IOUTAN and IOUTBP/IOUTBN. This provides a full-scale output current ( $I_{O(fs)}$ ) up to 20 mA. An internal reference is available for the reference current which is externally adjustable using pin VIRES.

There are also some embedded features to provide an analog offset correction (auxiliary DACs) and digital offset control as well as for gain adjustment. All the functions can be set via an SPI interface.

The DAC1405D650 operates at both 3.3 V and 1.8 V each of which has separate digital and analog power supplies. The digital input is 3.3 V compliant and the clock input is LVDS compliant.

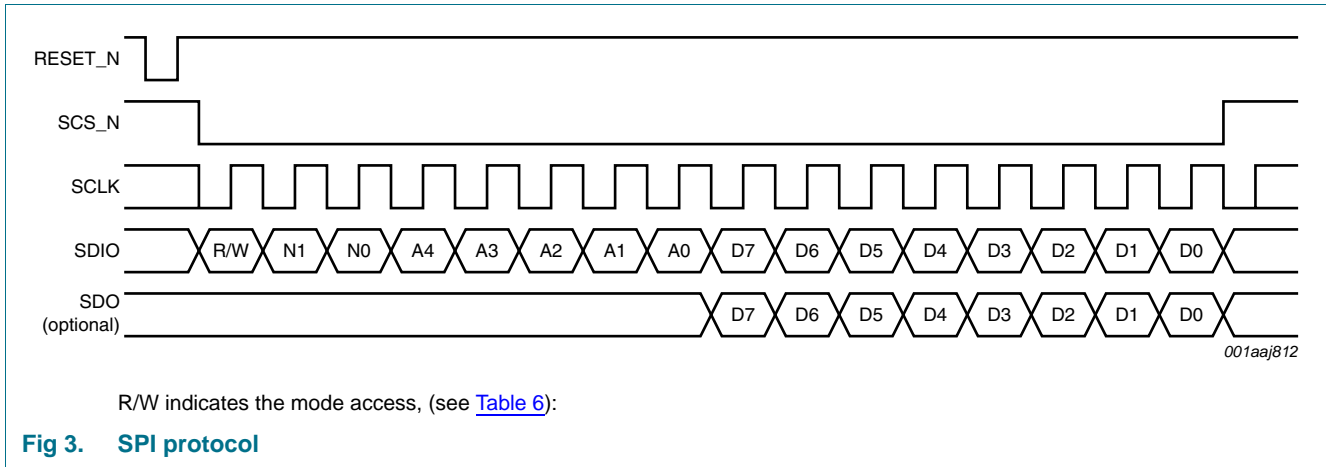
### 10.2 Serial interface (SPI)

#### 10.2.1 Protocol description

The DAC1405D650 serial interface is a synchronous serial communication port allowing easy interfacing with many industry microprocessors. It provides access to the registers that define the operating modes of the chip in both write and read modes.

This interface can be configured as a 3-wire type (SDIO as bidirectional pin) or a 4-wire type (SDIO and SDO as unidirectional pin, input and output port respectively). In both configurations, SCLK acts as the serial clock, and SCS\_N acts as the serial chip select bar.

Each read/write operation is sequenced by the SCS\_N signal and enabled by a LOW assertion to drive the chip with 1 to 4 bytes, depending on the content of the instruction byte (see [Table 7](#)).



**Table 6. Read or Write mode access description**

R/W	Description
0	Write mode operation
1	Read mode operation

In [Table 7](#) below N1 and N0 indicate the number of bytes transferred after the instruction byte.

**Table 7. Number of bytes to be transferred**

N1	N0	Number of bytes
0	0	1 byte transferred
0	1	2 bytes transferred
1	0	3 bytes transferred
1	1	4 bytes transferred

A[4:0]: indicates which register is being addressed. In the case of a multiple transfer, this address concerns the first register after which the next registers follow directly in a decreasing order according to [Table 9 "Register allocation map"](#).

**10.2.2 SPI timing description**

The SPI interface can operate at a frequency of up to 15 MHz. The SPI timing is shown in [Figure 4](#).

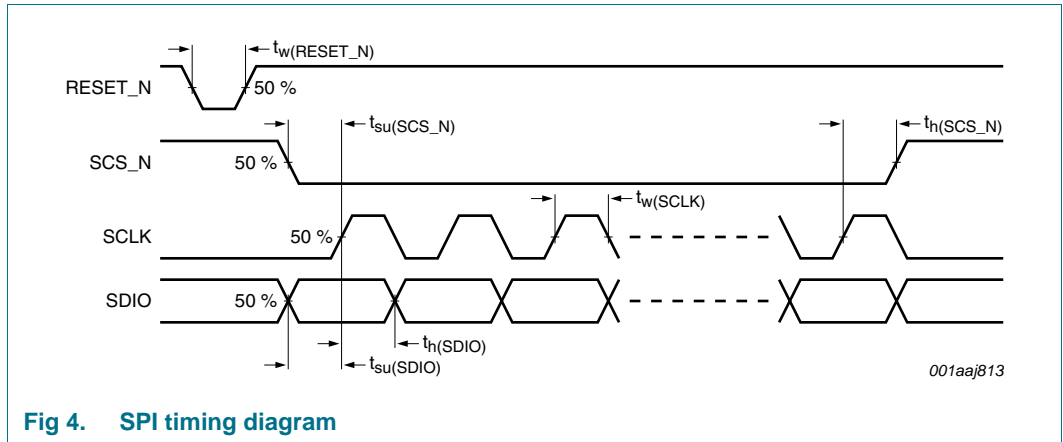


Fig 4. SPI timing diagram

The SPI timing characteristics are given in [Table 8](#).

Table 8. SPI timing characteristics

Symbol	Parameter	Min	Typ	Max	Unit
$f_{\text{SCLK}}$	SCLK frequency	-	-	15	MHz
$t_w(\text{SCLK})$	SCLK pulse width	30	-	-	ns
$t_{su}(\text{SCS\_N})$	SCS_N set-up time	20	-	-	ns
$t_h(\text{SCS\_N})$	SCS_N hold time	20	-	-	ns
$t_{su}(\text{SDIO})$	SDIO set-up time	10	-	-	ns
$t_h(\text{SDIO})$	SDIO hold time	5	-	-	ns
$t_w(\text{RESET\_N})$	RESET_N pulse width	30	-	-	ns

### 10.2.3 Detailed descriptions of registers

An overview of the details for all registers is provided in [Table 9](#).

Table 9. Register allocation map

Address	Register name	R/W	Bit definition									Default		
			b7	b6	b5	b4	b3	b2	b1	b0	Bin	Hex	Dec	
0	00h	COMMon	R/W	3W_SPI	SPI_RST	CLK_SEL	-	MODE_SEL	CODING	IC_PD	GAP_PD	10000000	80	128
1	01h	TXCFG	R/W	NCO_ON	NCO_LP_SEL	INV_SIN_SEL	MODULATION[2:0]			INTERPOLATION[1:0]		10000111	87	135
2	02h	PLLCFG	R/W	PLL_PD	-	PLL_DIV_PD	PLL_DIV[1:0]		PLL_PHASE[1:0]		PLL_POL	00010000	10	16
3	03h	FREQNCO_LSB	R/W	FREQ_NCO[7:0]								01100110	66	102
4	04h	FREQNCO_LISB	R/W	FREQ_NCO[15:8]								01100110	66	102
5	05h	FREQNCO_UISB	R/W	FREQ_NCO[23:16]								01100110	66	102
6	06h	FREQNCO_MSB	R/W	FREQ_NCO[31:24]								00100110	26	38
7	07h	PHINCO_LSB	R/W	PH_NCO[7:0]								00000000	00	0
8	08h	PHINCO_MSB	R/W	PH_NCO[15:8]								00000000	00	0
9	09h	DAC_A_Cfg_1	R/W	DAC_A_PD	DAC_A_SLEEP	DAC_A_OFFSET[5:0]						00000000	00	0
10	0Ah	DAC_A_Cfg_2	R/W	DAC_A_GAIN_COARSE[1:0]			DAC_A_GAIN_FINE[5:0]					01000000	40	64
11	0Bh	DAC_A_Cfg_3	R/W	DAC_A_GAIN_COARSE[3:2]			DAC_A_OFFSET[11:6]					11000000	C0	192
12	0Ch	DAC_B_Cfg_1	R/W	DAC_B_PD	DAC_B_SLEEP	DAC_B_OFFSET[5:0]						00000000	00	0
13	0Dh	DAC_B_Cfg_2	R/W	DAC_B_GAIN_COARSE[1:0]			DAC_B_GAIN_FINE[5:0]					01000000	40	64
14	0Eh	DAC_B_Cfg_3	R/W	DAC_B_GAIN_COARSE[3:2]			DAC_B_OFFSET[11:6]					11000000	C0	192
15	0Fh	DAC_Cfg	R/W	-	-	-	-	-	-	MINUS_3DB	NOISE_SHPER	00000000	00	0
26	1Ah	DAC_A_Aux_MSB	R/W	AUX_A[9:2]								10000000	80	128
27	1Bh	DAC_A_Aux_LSB	R/W	AUX_A_PD	-	-	-	-	-	AUX_A[1:0]		00000000	00	0
28	1Ch	DAC_B_Aux_MSB	R/W	AUX_B[9:2]								10000000	80	128
29	1Dh	DAC_B_Aux_LSB	R/W	AUX_B_PD	-	-	-	-	-	AUX_B[1:0]		00000000	00	0



**10.2.4 Registers detailed description**

Please refer to [Table 9](#) for a register overview and their default values. In the following tables, all the values emphasized in bold are the default values.

**Table 10. COMMON register (address 00h) bit description**

*Default settings are shown highlighted.*

Bit	Symbol	Access	Value	Description
7	3W_SPI	R/W		serial interface bus type
			0	4 wire SPI
			<b>1</b>	<b>3 wire SPI</b>
6	SPI_RST	R/W		serial interface reset
			<b>0</b>	<b>no reset</b>
			1	performs a reset on all registers except 0x00
5	CLK_SEL	R/W		data input latch
			<b>0</b>	<b>at CLK rising edge</b>
			1	at CLK falling edge
3	MODE_SEL	R/W		input data mode
			<b>0</b>	dual port
			1	interleaved
2	CODING	R/W		coding
			<b>0</b>	binary
			1	two's compliment
1	IC_PD	R/W		power-down
			<b>0</b>	disabled
			1	all circuits (digital and analog, except SPI) are switched off
0	GAP_PD	R/W		internal bandgap power-down
			<b>0</b>	power-down disabled
			1	internal bandgap references are switched off

**Table 11. TXCFG register (address 01h) bit description**

*Default settings are shown highlighted.*

Bit	Symbol	Access	Value	Description
7	NCO_ON	R/W		NCO
			0	disabled (the NCO phase is reset to 0)
			<b>1</b>	enabled
6	NCO_LP_SEL	R/W		low-power NCO
			<b>0</b>	disabled
			1	NCO frequency and phase given by the five MSBs of the registers 06h and 08h respectively
5	INV_SIN_SEL	R/W		x / (sin x) function
			<b>0</b>	disabled
			1	enabled

**Table 11. TXCFG register (address 01h) bit description ...continued**  
 Default settings are shown highlighted.

Bit	Symbol	Access	Value	Description
4 to 2	MODULATION[2:0]	R/W		modulation
			000	dual DAC: no modulation
			<b>001</b>	<b>positive upper single sideband up-conversion</b>
			010	positive lower single sideband up-conversion
			011	negative upper single sideband up-conversion
			100	negative lower single sideband up-conversion
1 to 0	INTERPOLATION[1:0]	R/W		interpolation
			01	2×
			10	4×
			<b>11</b>	<b>8×</b>

**Table 12. PLLCFG register (address 02h) bit description**  
 Default settings are shown highlighted.

Bit	Symbol	Access	Value	Description
7	PLL_PD	R/W		PLL
			<b>0</b>	<b>switched on</b>
			1	switched off
6	-	R/W		undefined
5	PLL_DIV_PD	R/W		PLL divider
			<b>0</b>	<b>switched on</b>
			1	switched off
4 to 3	PLL_DIV[1:0]	R/W		PLL divider factor
			00	2
			01	4
			<b>10</b>	<b>8</b>
2 to 1	PLL_PHASE[1:0]	R/W		PLL phase shift of $f_s$
			<b>00</b>	<b>0°</b>
			01	120°
			10	240°
0	PLL_POL	R/W		clock edge of DAC ( $f_s$ )
			<b>0</b>	<b>normal</b>
			1	inverted

**Table 13. FREQNCO\_LSB register (address 03h) bit description**

Bit	Symbol	Access	Value	Description
7 to 0	FREQ_NCO[7:0]	R/W	-	lower 8-bits for the NCO frequency setting

Table 14. **FREQNCO\_LISB register (address 04h) bit description**

Bit	Symbol	Access	Value	Description
7 to 0	FREQ_NCO[15:8]	R/W	-	lower intermediate 8-bits for the NCO frequency setting

Table 15. **FREQNCO\_UISB register (address 05h) bit description**

Bit	Symbol	Access	Value	Description
7 to 0	FREQ_NCO[23:16]	R/W	-	upper intermediate 8-bits for the NCO frequency setting

Table 16. **FREQNCO\_MSB register (address 06h) bit description**

Bit	Symbol	Access	Value	Description
7 to 0	FREQ_NCO[31:24]	R/W	-	most significant 8-bits for the NCO frequency setting

Table 17. **PHINCO\_LSB register (address 07h) bit description**

Bit	Symbol	Access	Value	Description
7 to 0	PH_NCO[7:0]	R/W	-	lower 8-bits for the NCO phase setting

Table 18. **PHINCO\_MSB register (address 08h) bit description**

Bit	Symbol	Access	Value	Description
7 to 0	PH_NCO[15:8]	R/W	-	most significant 8-bits for the NCO phase setting

Table 19. **DAC\_A\_Cfg\_1 register (address 09h) bit description**

Default settings are shown highlighted.

Bit	Symbol	Access	Value	Description
7	DAC_A_PD	R/W		DAC A power
			<b>0</b>	<b>on</b>
			1	off
6	DAC_A_SLEEP	R/W		DAC A Sleep mode
			<b>0</b>	<b>disabled</b>
			1	enabled
5 to 0	DAC_A_OFFSET[5:0]	R/W	-	lower 6-bits for the DAC A offset

Table 20. **DAC\_A\_Cfg\_2 register (address 0Ah) bit description**

Bit	Symbol	Access	Value	Description
7 to 6	DAC_A_GAIN_COARSE[1:0]	R/W	-	least significant 2-bits for the DAC A gain setting for coarse adjustment
5 to 0	DAC_A_GAIN_FINE[5:0]	R/W	-	lower 6-bits for the DAC A gain setting for fine adjustment

Table 21. DAC\_A\_Cfg\_3 register (address 0Bh) bit description

Bit	Symbol	Access	Value	Description
7 to 6	DAC_A_GAIN_COARSE[3:2]	R/W	-	most significant 2-bits for the DAC A gain setting for coarse adjustment
5 to 0	DAC_A_OFFSET[11:6]	R/W	-	most significant 6-bits for the DAC A offset

**Table 22. DAC\_B\_Cfg\_1 register (address 0Ch) bit description**

Default settings are shown highlighted.

Bit	Symbol	Access	Value	Description
7	DAC_B_PD	R/W		DAC B power
			<b>0</b>	<b>on</b>
			1	off
6	DAC_B_SLEEP	R/W		DAC B Sleep mode
			<b>0</b>	<b>disabled</b>
			1	enabled
5 to 0	DAC_B_OFFSET[5:0]	R/W		lower 6-bits for the DAC B offset

**Table 23. DAC\_B\_Cfg\_2 register (address 0Dh) bit description**

Bit	Symbol	Access	Value	Description
7 to 6	DAC_B_GAIN_COARSE[1:0]	R/W	-	less significant 2-bits for the DAC B gain setting for coarse adjustment
5 to 0	DAC_B_GAIN_FINE[5:0]	R/W	-	the 6-bits for the DAC B gain setting for fine adjustment

**Table 24. DAC\_B\_Cfg\_3 register (address 0Eh) bit description**

Bit	Symbol	Access	Value	Description
7 to 6	DAC_B_GAIN_COARSE[3:2]	R/W	-	most significant 2-bits for the DAC B gain setting for coarse adjustment
5 to 0	DAC_B_OFFSET[11:6]	R/W	-	most significant 6-bits for the DAC B offset

**Table 25. DAC\_Cfg register (address 0Fh) bit description**

Default settings are shown highlighted.

Bit	Symbol	Access	Value	Description
1	MINUS_3DB	R/W		NCO gain
			<b>0</b>	<b>unity</b>
			1	-3 dB
0	NOISE_SHPER	R/W		noise shaper
			<b>0</b>	<b>disabled</b>
			1	enabled

**Table 26. DAC\_A\_Aux\_MSB register (address 1Ah) bit description**

Bit	Symbol	Access	Value	Description
7 to 0	AUX_A[9:2]	R/W	-	most significant 8-bits for the auxiliary DAC A

**Table 27. DAC\_A\_Aux\_LSB register (address 1Bh) bit description**

Default settings are shown highlighted.

Bit	Symbol	Access	Value	Description
7	AUX_A_PD	R/W		auxiliary DAC A power
			<b>0</b>	<b>on</b>
			1	off
1 to 0	AUX_A[1:0]	R/W		lower 2-bits for the auxiliary DAC A

**Table 28. DAC\_B\_Aux\_MSB register (address 1Ch) bit description**

Bit	Symbol	Access	Value	Description
7 to 0	AUX_B[9:2]	R/W	-	most significant 8-bits for the auxiliary DAC B

**Table 29. DAC\_B\_Aux\_LSB register (address 1Dh) bit description**

Default settings are shown highlighted.

Bit	Symbol	Access	Value	Description
7	AUX_B_PD	R/W	0	auxiliary DAC B power <b>on</b>
			1	off
1 to 0	AUX_B[1:0]	R/W		lower 2-bits for the auxiliary DAC B

### 10.3 Input data

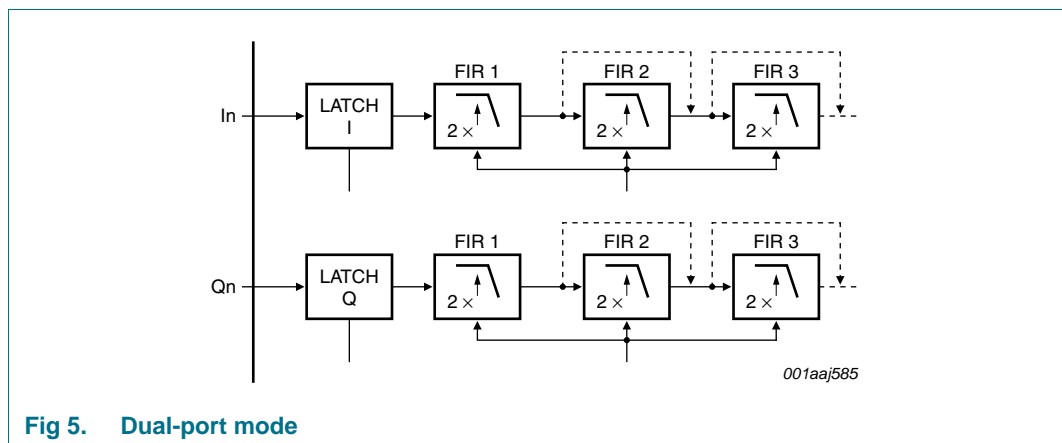
The setting applied to MODE\_SEL (register 00h[3]; see [Table 10 on page 17](#)) and it defines whether the DAC1405D650 operates in the Dual-port mode or in the Interleaved mode (see [Table 30](#)).

**Table 30. Mode selection**

Bit 3 setting	Function	I13 to I0	Q13 to Q0	Pin 41
0	Dual port mode	active	active	Q13
1	Interleaved mode	active	off	SELIQ

#### 10.3.1 Dual-port mode

The data input for Dual-port mode operation is shown in [Figure 5 “Dual-port mode”](#). Each DAC has its own independent signal data input. The data enters the input latch on the rising edge of the internal clock signal and is transferred to the DAC latch.



**Fig 5. Dual-port mode**

#### 10.3.2 Interleaved mode

The data input for the Interleaved mode operation is illustrated by [Figure 6 “Interleaved mode operation”](#).

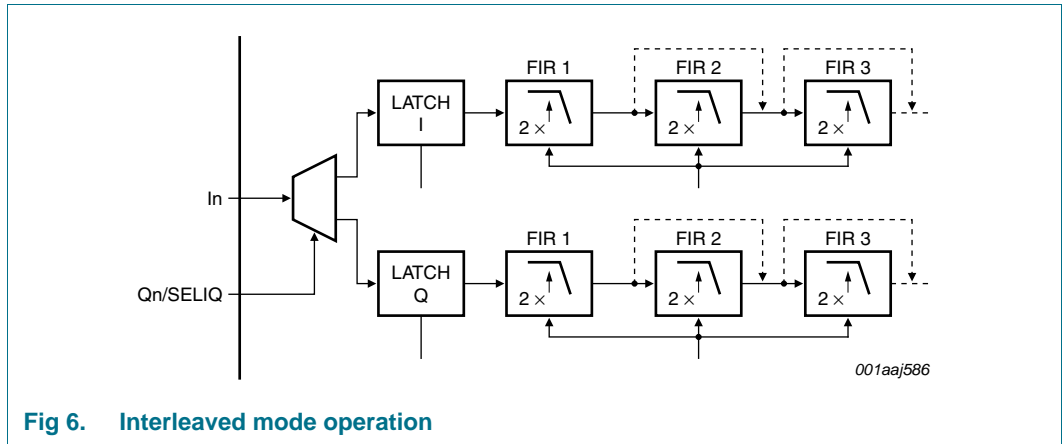


Fig 6. Interleaved mode operation

In the Interleaved mode, both DACs use the same data input at twice the Dual-port mode frequency. Data enters the latch on the rising edge of the internal clock signal. The data is sent to either latch I or latch Q, depending on the SELIQ signal.

The SELIQ input (pin 41) allows the synchronization of the internally de-multiplexed I and Q channels; see [Figure 7 “Interleaved mode timing \(8x interpolation, latch on rising edge\)”](#).

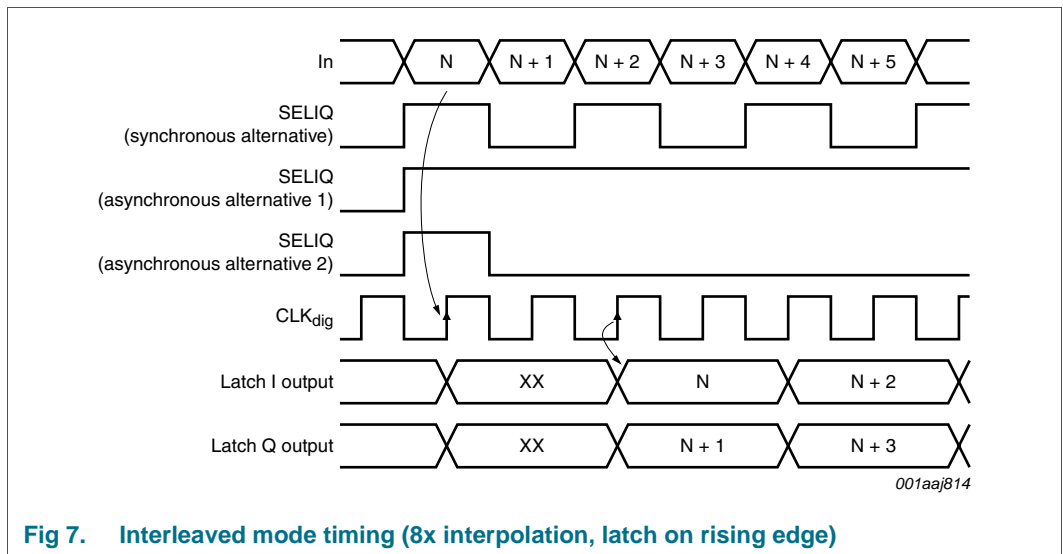


Fig 7. Interleaved mode timing (8x interpolation, latch on rising edge)

SELIQ can be either a synchronous or asynchronous (single rising edge, single pulse) signal. The first data following the SELIQ rising edge will be sent in channel I and following data will be sent in channel Q. After this, data will be distributed alternately between these channels.

10.4 Input clock

The DAC1405D650 can operate with a clock frequency of 160 MHz in the Dual-port mode and up to 320 MHz in the Interleaved mode. The input clock is LVDS (see [Figure 8](#)) but it can also be interfaced with CML (see [Figure 9](#)).

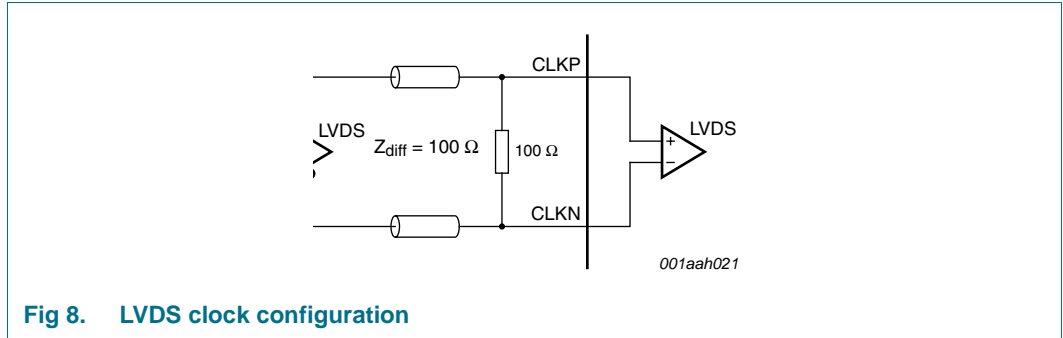


Fig 8. LVDS clock configuration

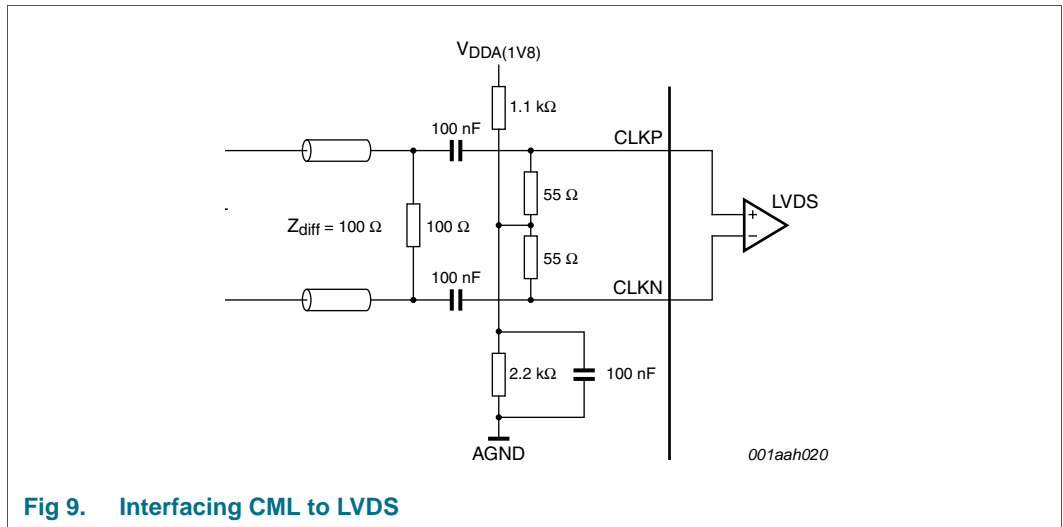
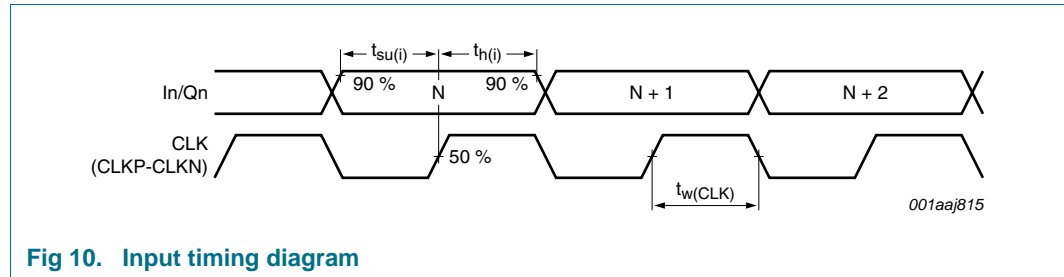


Fig 9. Interfacing CML to LVDS



10.5 Timing

The DAC1405D650 can operate at an update rate ( $f_s$ ) of up to 650 Msps and with an input data rate ( $f_{data}$ ) of up to 160 MHz. The input timing is shown in [Figure 10 “Input timing diagram”](#).



The typical performances are measured at 50 % duty cycle but any timing within the limits of the characteristics will not alter the performance.

In [Table 31 “Frequencies”](#), the links between internal and external clocking are defined. The setting applied to PLL\_DIV[1:0] (register 02h[4:3]; see [Table 9 “Register allocation map”](#)) allows the frequency between the digital part and the DAC core to be adjusted.

Table 31. Frequencies

Mode	CLK input (MHz)	Input data rate (MHz)	Interpolation	Update rate (Msps)	PLL_DIV[1:0]
Dual Port	160	160	2×	320	01 (/4)
Dual Port	160	160	4×	640	01 (/4)
Dual Port	80	80	8×	640	10 (/8)
Interleaved	320	320	2×	320	00 (/2)
Interleaved	320	320	4×	640	00 (/2)
Interleaved	160	160	8×	640	01 (/4)

The settings applied to PLL\_PHASE[1:0] (register 02h[2:1]) and PLL\_POL (register 02h[0]), allows adjustment of the phase and polarity of the sampling clock. This occurs at the input of the DAC core and depends mainly on the sampling frequency. Some examples are given in [Table 32 “Sample clock phase and polarity examples”](#).

Table 32. Sample clock phase and polarity examples

Mode	Input data rate (MHz)	Interpolation	Update rate (Msps)	PLL_PHASE [1:0]	PLL_POL
Dual Port	80	2×	160	01	1
Dual Port	80	4×	320	01	0
Dual Port	80	8×	640	01	1
Interleaved	160	2×	160	01	1
Interleaved	160	4×	320	01	0
Interleaved	160	8×	640	01	1

### 10.6 FIR filters

The DAC1405D650 integrates three selectable Finite Impulse Response (FIR) filters which allows the device to use 2×, 4× or 8× interpolation rates.

All three interpolation filters have a stop-band attenuation of at least 80 dBc and a pass-band ripple of less than 0.0005 dB.

The coefficients of the interpolation filters are given in [Table 33 “Interpolation filter coefficients”](#).

**Table 33. Interpolation filter coefficients**

First interpolation filter			Second interpolation filter			Third interpolation filter		
Lower	Upper	Value	Lower	Upper	Value	Lower	Upper	Value
H(1)	H(55)	-4	H(1)	H(23)	-2	H(1)	H(15)	-39
H(2)	H(54)	0	H(2)	H(22)	0	H(2)	H(14)	0
H(3)	H(53)	13	H(3)	H(21)	17	H(3)	H(13)	273
H(4)	H(52)	0	H(4)	H(20)	0	H(4)	H(12)	0
H(5)	H(51)	-34	H(5)	H(19)	-75	H(5)	H(11)	-1102
H(6)	H(50)	0	H(6)	H(18)	0	H(6)	H(10)	0
H(7)	H(49)	72	H(7)	H(17)	238	H(7)	H(9)	4964
H(8)	H(48)	0	H(8)	H(16)	0	H(8)	-	8192
H(9)	H(47)	-138	H(9)	H(15)	-660	-	-	-
H(10)	H(46)	0	H(10)	H(14)	0	-	-	-
H(11)	H(45)	245	H(11)	H(13)	2530	-	-	-
H(12)	H(44)	0	H(12)	-	4096	-	-	-
H(13)	H(43)	-408	-	-	-	-	-	-
H(14)	H(42)	0	-	-	-	-	-	-
H(15)	H(41)	650	-	-	-	-	-	-
H(16)	H(40)	0	-	-	-	-	-	-
H(17)	H(39)	-1003	-	-	-	-	-	-
H(18)	H(38)	0	-	-	-	-	-	-
H(19)	H(37)	1521	-	-	-	-	-	-
H(20)	H(36)	0	-	-	-	-	-	-
H(21)	H(35)	-2315	-	-	-	-	-	-
H(22)	H(34)	0	-	-	-	-	-	-
H(23)	H(33)	3671	-	-	-	-	-	-
H(24)	H(32)	0	-	-	-	-	-	-
H(25)	H(31)	-6642	-	-	-	-	-	-
H(26)	H(30)	0	-	-	-	-	-	-
H(27)	H(29)	20756	-	-	-	-	-	-
H(28)		32768	-	-	-	-	-	-

## 10.7 Quadrature modulator and Numerically Controlled Oscillator (NCO)

The quadrature modulator allows the 14-bit I and Q data to be mixed with the carrier signal generated by the NCO.

The frequency of the NCO is programmed over 32-bit and allows the sign of the sine component to be inverted in order to operate positive or negative, lower or upper single sideband up-conversion.

### 10.7.1 NCO in 32-bit

When using the NCO, the frequency can be set by the four registers `FREQNCO_LSB`, `FREQNCO_LISB`, `FREQNCO_UISB` and `FREQNCO_MSB` over 32 bits.

The frequency for the NCO in 32-bit is calculated as follows:

$$f_{NCO} = \frac{M \times f_s}{2^{32}} \quad (1)$$

where M is the decimal representation of `FREQ_NCO[31:0]`.

The phase of the NCO can be set from 0° to 360° by both registers `PHINCO_LSB` and `PHINCO_MSB` over 16 bits.

The default setting is  $f_{NCO} = 96$  MHz when  $f_s = 640$  Msps and the default phase is 0°.

### 10.7.2 Low-power NCO

When using the low-power NCO, the frequency can be set by the 5 MSB of register `FREQNCO_MSB`.

The frequency for the low-power NCO is calculated as follows:

$$f_{NCO} = \frac{M \times f_s}{2^5} \quad (2)$$

where M is the decimal representation of `FREQ_NCO[31:27]`.

The phase of the low-power NCO can be set by the 5 MSB of the register `PHINCO_MSB`.

### 10.7.3 Minus 3dB

During normal use, a full-scale pattern will also be full scale at the output of the DAC. Nevertheless, when the I and Q data are simultaneously close to full scale, some clipping can occur and the `Minus_3dB` function can be used to reduce the gain by 3 dB in the modulator. This is to keep a full-scale range at the output of the DAC without added interferers.

## 10.8 x / (sin x)

Due to the roll-off effect of the DAC, a selectable FIR filter is inserted to compensate for the  $(\sin x) / x$  effect. This filter introduces a DC loss of 3.4 dB. The coefficients are represented in [Table 34 "Inversion filter coefficients"](#).

**Table 34. Inversion filter coefficients**

First interpolation filter		
Lower	Upper	Value
H(1)	H(9)	2
H(2)	H(8)	-4
H(3)	H(7)	10
H(4)	H(6)	-35
H(5)	-	401

### 10.9 DAC transfer function

The full-scale output current for each DAC is the sum of the two complementary current outputs:

$$I_{O(fs)} = I_{IOUTP} + I_{IOUTN} \tag{3}$$

The output current depends on the digital input data:

$$I_{IOUTP} = I_{O(fs)} \times \left( \frac{DATA}{16383} \right) \tag{4}$$

$$I_{IOUTN} = I_{O(fs)} \times \left( \frac{16383 - DATA}{16383} \right) \tag{5}$$

The setting applied to CODING (register 00h[2]; see [Table 9 “Register allocation map”](#)) defines whether the DAC1405D650 operates with a binary input or a two’s complement input.

[Table 35 “DAC transfer function”](#) shows the output current as a function of the input data, when  $I_{O(fs)} = 20 \text{ mA}$ .

**Table 35. DAC transfer function**

Data	I13/Q13 to I0/Q0		IOUTP	IOUTN
	Binary	Two’s complement		
0	00 0000 0000 0000	10 0000 0000 0000	0 mA	20 mA
...	...	...	...	...
8192	10 0000 0000 0000	00 0000 0000 0000	10 mA	10 mA
...	...	...	...	...
16383	11 1111 1111 1111	01 1111 1111 1111	20 mA	0 mA

### 10.10 Full-scale current

#### 10.10.1 Regulation

The DAC1405D650 reference circuitry integrates an internal bandgap reference voltage which delivers a 1.25 V reference to the GAPOUT pin. It is recommended to decouple pin GAPOUT using a 100 nF capacitor.

The reference current is generated via an external resistor of 910 Ω (1 %) connected to pin VIRES. A control amplifier sets the appropriate full-scale current ( $I_{O(fs)}$ ) for both DACs (see [Figure 11 “Internal reference configuration”](#)).

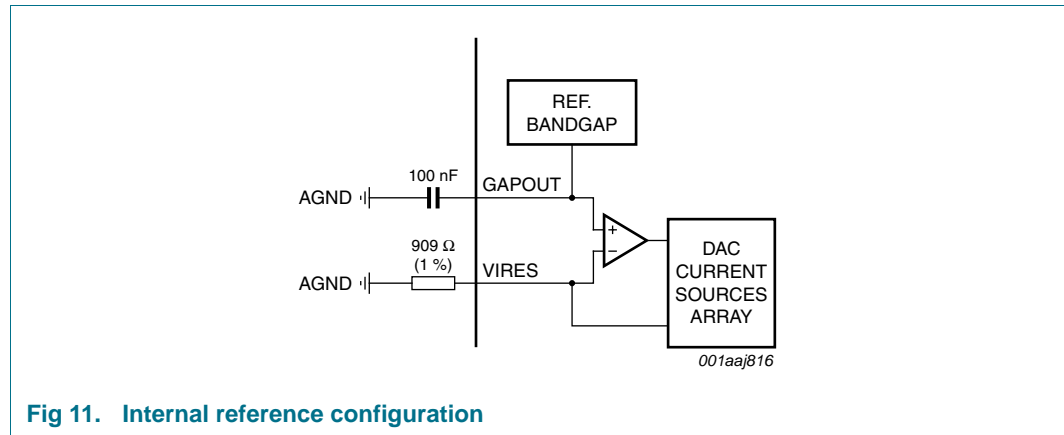


Fig 11. Internal reference configuration

This configuration is optimum for temperature drift compensation because the bandgap reference voltage can be matched to the voltage across the feedback resistor.

The DAC current can also be set by applying an external reference voltage to the non-inverting input pin GAPOUT and disabling the internal bandgap reference voltage with GAP\_PD (register 00h[0]; see [Table 10 “COMMON register \(address 00h\) bit description”](#)).

### 10.10.2 Full-scale current adjustment

The default full-scale current ( $I_{O(fs)}$ ) is 20 mA but further adjustments can be made by the user to both DACs independently via the serial interface from 1.6 mA to 22 mA, +/- 10 %.

The settings applied to DAC\_A\_GAIN\_COARSE[3:0] (register 0Ah; see [Table 20 “DAC\\_A\\_Cfg\\_2 register \(address 0Ah\) bit description”](#) and register 0Bh; see [Table 21 “DAC\\_A\\_Cfg\\_3 register \(address 0Bh\) bit description”](#)) and to DAC\_B\_GAIN\_COARSE[3:0] (register 0Dh; see [Table 23 “DAC\\_B\\_Cfg\\_2 register \(address 0Dh\) bit description”](#) and register 0Eh; see [Table 24 “DAC\\_B\\_Cfg\\_3 register \(address 0Eh\) bit description”](#)) define the coarse variation of the full-scale current (see [Table 36 “ \$I\_{O\(fs\)}\$  coarse adjustment”](#)).

Table 36.  $I_{O(fs)}$  coarse adjustment  
Default settings are shown highlighted.

DAC_GAIN_COARSE[3:0]		$I_{O(fs)}$ (mA)
Decimal	Binary	
0	0000	1.6
1	0001	3.0
2	0010	4.4
3	0011	5.8
4	0100	7.2
5	0101	8.6
6	0110	10.0
7	0111	11.4

**Table 36.  $I_{O(fs)}$  coarse adjustment ...continued**  
Default settings are shown highlighted.

DAC_GAIN_COARSE[3:0]		$I_{O(fs)}$ (mA)
Decimal	Binary	
8	1000	12.8
9	1001	14.2
10	1010	15.6
11	1011	17.0
12	1100	18.5
<b>13</b>	<b>1101</b>	<b>20.0</b>
14	1110	21.0
15	1111	22.0

The settings applied to DAC\_A\_GAIN\_FINE[5:0] (register 0Ah; see [Table 20](#) “DAC\_A\_Cfg\_2 register (address 0Ah) bit description”) and to DAC\_B\_GAIN\_FINE[5:0] (register 0Dh; see [Table 23](#) “DAC\_B\_Cfg\_2 register (address 0Dh) bit description”) define the fine variation of the full-scale current (see [Table 37](#) “ $I_{O(fs)}$  fine adjustment”).

**Table 37.  $I_{O(fs)}$  fine adjustment**  
Default settings are shown highlighted.

DAC_GAIN_FINE[5:0]		Delta $I_{O(fs)}$
Decimal	Two's complement	
-32	10 0000	-10 %
...	...	...
<b>0</b>	<b>00 0000</b>	<b>0</b>
...	...	...
31	01 1111	+10 %

The coding of the fine gain adjustment is two's complement.

## 10.11 Digital offset adjustment

When the DAC1405D650 analog output is DC connected to the next stage, the digital offset correction can be used to adjust the common mode level at the output of the DAC. It adds an offset at the end of the digital part, just before the DAC.

The settings applied to DAC\_A\_OFFSET[11:0] (register 09h; see [Table 19](#) “DAC\_A\_Cfg\_1 register (address 09h) bit description”) and register 0Bh; see [Table 21](#) “DAC\_A\_Cfg\_3 register (address 0Bh) bit description”) and to “DAC\_B\_OFFSET[11:0]” (register 0Ch; see [Table 22](#) “DAC\_B\_Cfg\_1 register (address 0Ch) bit description”) and register 0Eh; see [Table 24](#) “DAC\_B\_Cfg\_3 register (address 0Eh) bit description”) define the range of variation of the digital offset (see [Table 38](#) “Digital offset adjustment”).

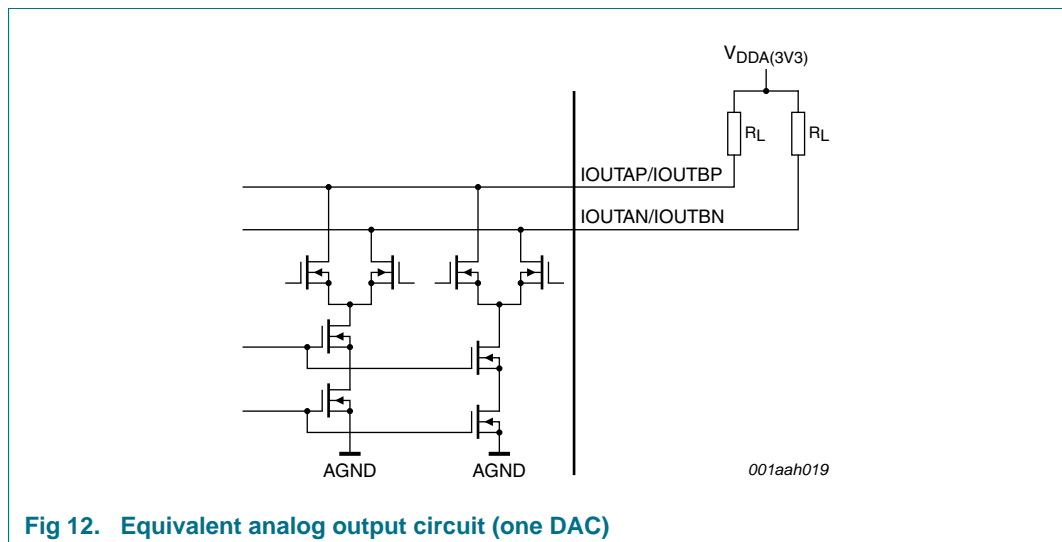
**Table 38. Digital offset adjustment**  
 Default settings are shown highlighted.

DAC_OFFSET[11:0]		Offset applied
Decimal	Two's complement	
-2048	1000 0000 0000	-4096
-2047	1000 0000 0001	-4094
...	...	...
-1	1111 1111 1111	-2
<b>0</b>	<b>0000 0000 0000</b>	<b>0</b>
+1	0000 0000 0001	+2
...	...	...
2046	0111 1111 1110	+4092
2047	0111 1111 1111	+4094

**10.12 Analog output**

The DAC1405D650 has two output channels each of which produces two complementary current outputs. These allow the even-order harmonics and noise to be reduced. The pins are IOUTAP/IOUTAN and IOUTBP/IOUTBN respectively and need to be connected via a load resistor  $R_L$  to the 3.3 V analog power supply ( $V_{DDA(3V3)}$ ).

For the equivalent analog output circuit of one DAC, refer to [Figure 12 “Equivalent analog output circuit \(one DAC\)”](#). This circuit consists of a parallel combination of NMOS current sources, and their associated switches, for each segment.



**Fig 12. Equivalent analog output circuit (one DAC)**

The cascode source configuration increases the output impedance of the source, thus improving the dynamic performance of the DAC by introducing less distortion.

The device can provide an output level of up to  $2 V_{O(p-p)}$  depending on the application, the following stages and the targeted performances-

**10.13 Auxiliary DACs**

The DAC1405D650 integrates 2 auxiliary DACs that can be used to compensate for any offset between the DAC and the next stage in the transmission path.

Both auxiliary DACs have a resolution of 10-bit and are current sources (referenced to ground).

$$I_{O(AUX)} = I_{AUXP} + I_{AUXN} \tag{6}$$

The output current depends on the auxiliary DAC data:

$$AUXP = I_{O(AUX)} \times \left( \frac{AUX[9:0]}{1023} \right) \tag{7}$$

$$AUXN = I_{O(AUX)} \times \left( \frac{(1023 - AUX[9:0])}{1023} \right) \tag{8}$$

[Table 39 “Auxiliary DAC transfer function”](#) shows the output current as a function of the auxiliary DAC data.

**Table 39. Auxiliary DAC transfer function**

*Default settings are shown highlighted.*

Data	AUX[9:0] (binary)	I <sub>AUXP</sub>	I <sub>AUXN</sub>
0	00 0000 0000	0 mA	2.2 mA
...	...	...	...
<b>512</b>	<b>10 0000 0000</b>	<b>1.1 mA</b>	<b>1.1 mA</b>
...	...	...	...
1023	11 1111 1111	2.2 mA	0 mA



10.14 Output configuration

10.14.1 Basic output configuration

The use of a differentially-coupled transformer output provides optimum distortion performance (see [Figure 13](#) “1  $V_{o(p-p)}$  differential output with transformer”). In addition, it helps to match the impedance and provides electrical isolation.

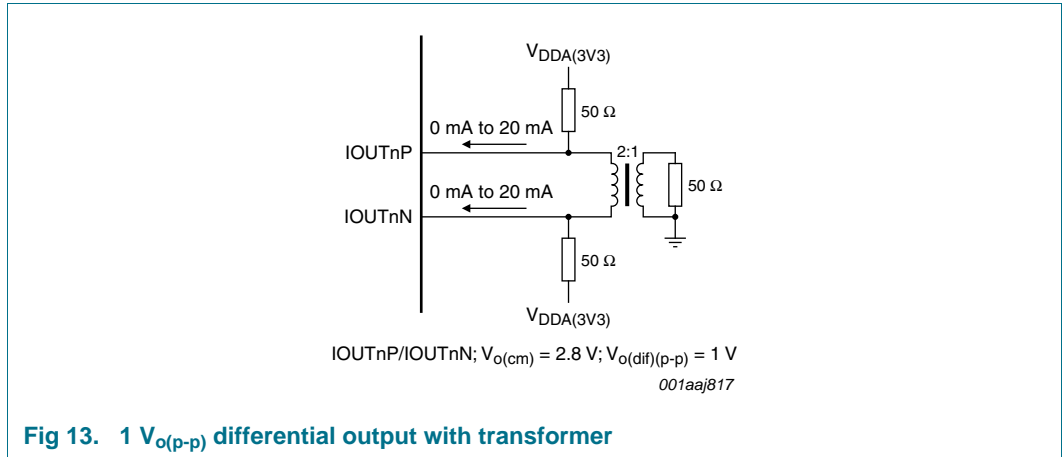


Fig 13. 1  $V_{o(p-p)}$  differential output with transformer

The DAC1405D650 can operate up to 2  $V_{o(p-p)}$  differential outputs. In this configuration, it is recommended to connect the center tap of the transformer to a 62  $\Omega$  resistor connected to the 3.3 V analog power supply, in order to adjust the DC common mode to approximately 2.7 V (see [Figure 14](#) “2  $V_{o(p-p)}$  differential output with transformer”).

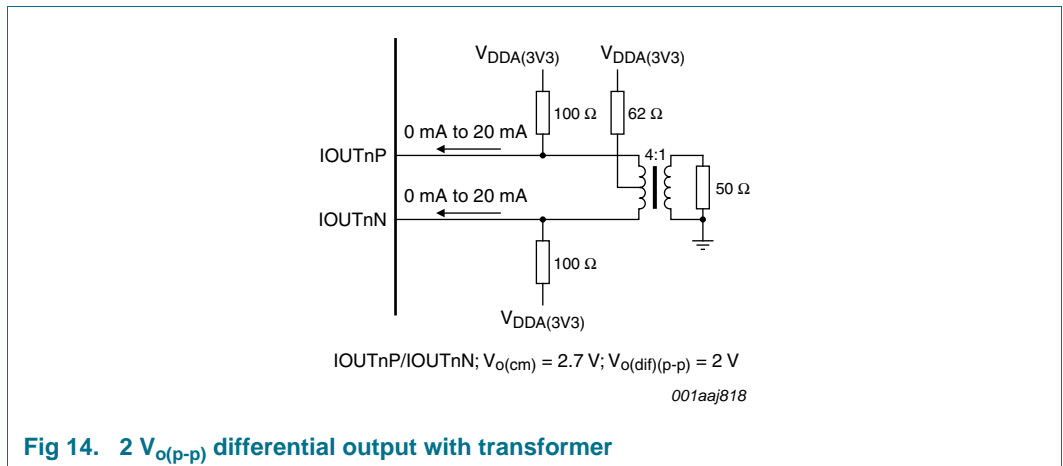


Fig 14. 2  $V_{o(p-p)}$  differential output with transformer

10.14.2 DC interface to an Analog Quadrature Modulator (AQM)

When the system operation requires to keep the DC component of the spectrum, the DAC1405D650 can use a DC interface to connect to an AQM. In this case, the offset compensation for LO cancellation can be made with the use of the digital offset control in the DAC.

[Figure 15](#) provides an example of a connection to an AQM with a 1.7  $V_{i(cm)}$  common mode input level.

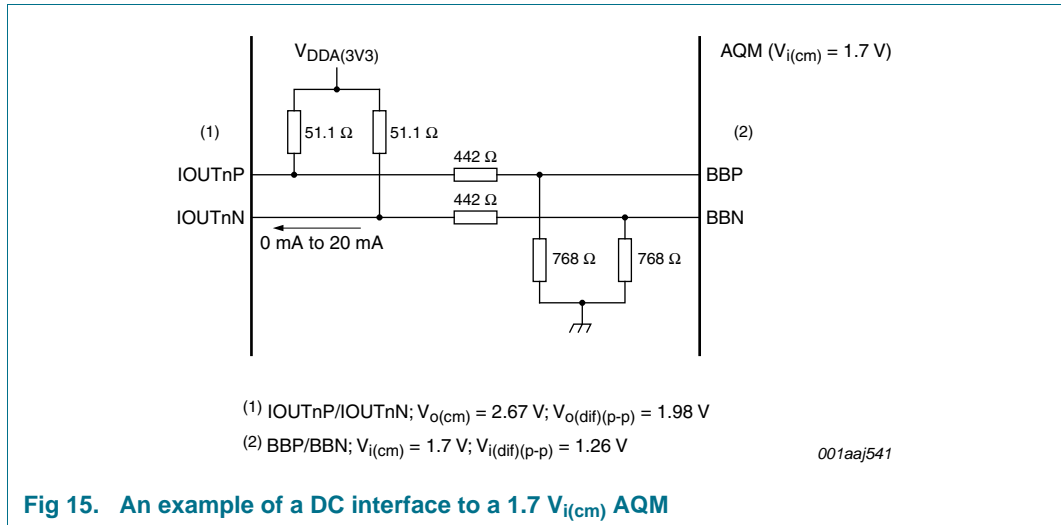
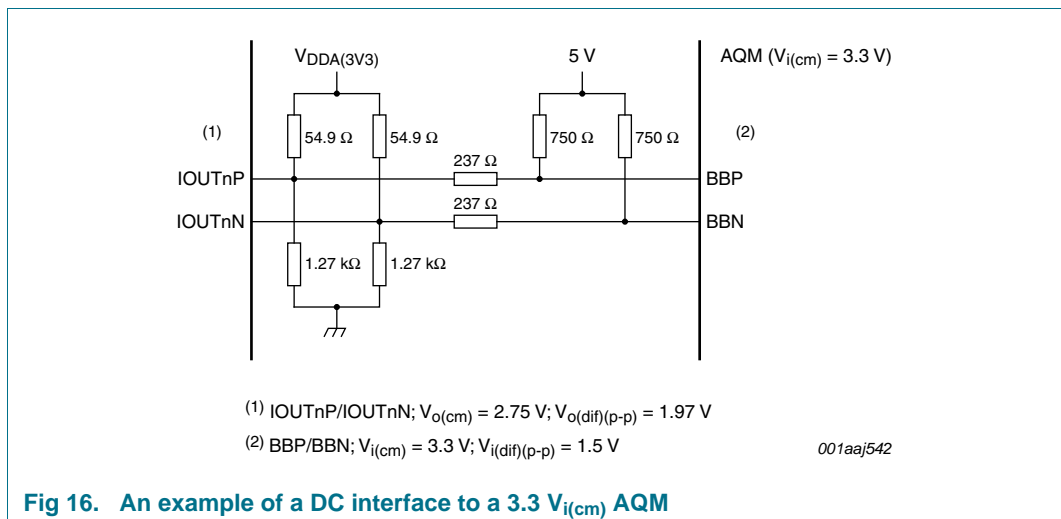


Figure 16 provides an example of a connection to an AQM with a 3.3 V<sub>i(cm)</sub> common mode input level.



The auxiliary DACs can be used to control the offset in a precise range or with precise steps.

Figure 17 provides an example of a DC interface with the auxiliary DACs to an AQM with a 1.7 V<sub>i(cm)</sub> common mode input level.

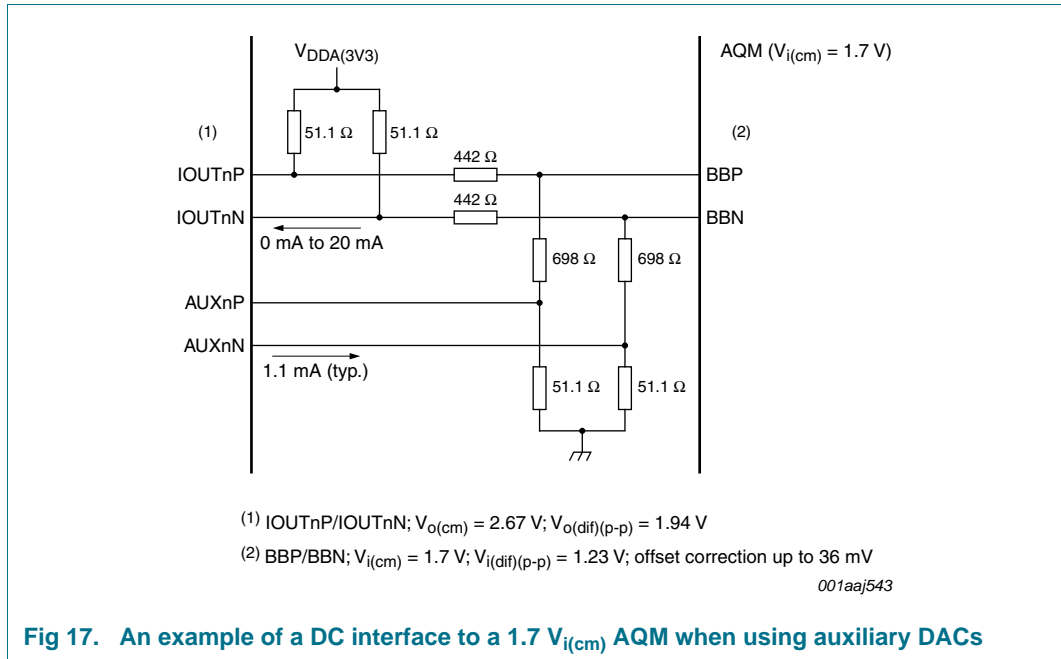


Fig 17. An example of a DC interface to a 1.7  $V_{i(cm)}$  AQM when using auxiliary DACs

Figure 18 provides an example of a DC interface with the auxiliary DACs to an AQM with a 3.3  $V_{i(cm)}$  common mode input level.

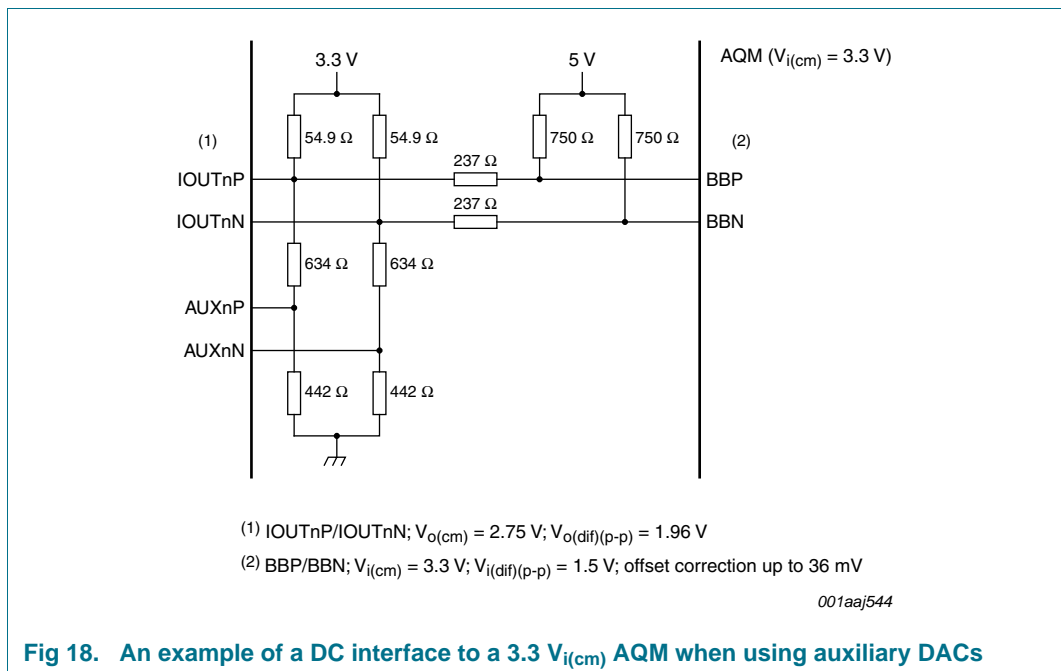


Fig 18. An example of a DC interface to a 3.3  $V_{i(cm)}$  AQM when using auxiliary DACs

The constraints to adjust the interface are the output compliance range of the DAC and the auxiliary DACs, the input common mode level of the AQM, and the range of offset correction.

10.14.3 AC interface to an Analog Quadrature Modulator (AQM)

When the AQM common mode voltage is close to ground, the DAC1405D650 must be AC-coupled and the auxiliary DACs are needed for offset correction.

Figure 19 provides an example of a connection to an AQM with a 0.5  $V_{i(cm)}$  common mode input level when using auxiliary DACs.

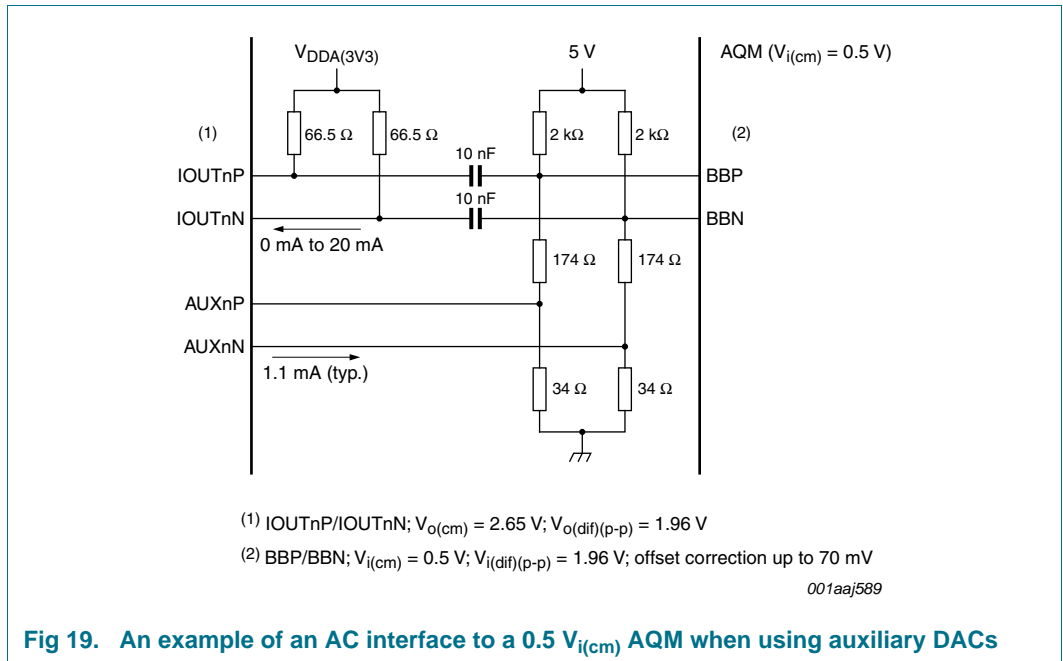


Fig 19. An example of an AC interface to a 0.5  $V_{i(cm)}$  AQM when using auxiliary DACs

### 10.15 Power and grounding

In order to obtain optimum performance, it is recommended that the 1.8 V analog power supplies on pins 5, 11, 71, 77 and 99 should not be connected with the ones on pins 6, 70, 79, 81, 83, 93, 95 and 97 on the top layer.

To optimize the decoupling, the power supplies should be decoupled with the following ground pins:

- $V_{DDD(1V8)}$ : pin 26 with 27; pin 32 with 33; pin 36 with 37; pin 40 with 39; pin 44 with 43 and pin 50 with 49.
- $V_{DD(IO)(3V3)}$ : pin 16 with 17 and pin 60 with 59.
- $V_{DDA(1V8)}$ : pin 5 with 4; pin 6 with 7; pin 11 with 10; pin 71 with 72; pin 77 with 78; pins 79, 81, 83 with 80, 82, 84; pins 93, 95, 97 with 92, 94, 96 and pin 99 with 98.
- $V_{DDA(3V3)}$ : pin 1 with 100 and pin 75 with 76.

### 10.16 Alternative parts

The following alternative parts are available.

**Table 40. Alternative parts**

Type number	Description	Sampling frequency
DAC1005D650	dual 10-bit DAC	up to 650 Msps
DAC1205D650	dual 12-bit DAC	up to 650 Msps

11. Package outline

HTQFP100: plastic thermal enhanced thin quad flat package; 100 leads; body 14 x 14 x 1 mm; exposed die pad

SOT638-1

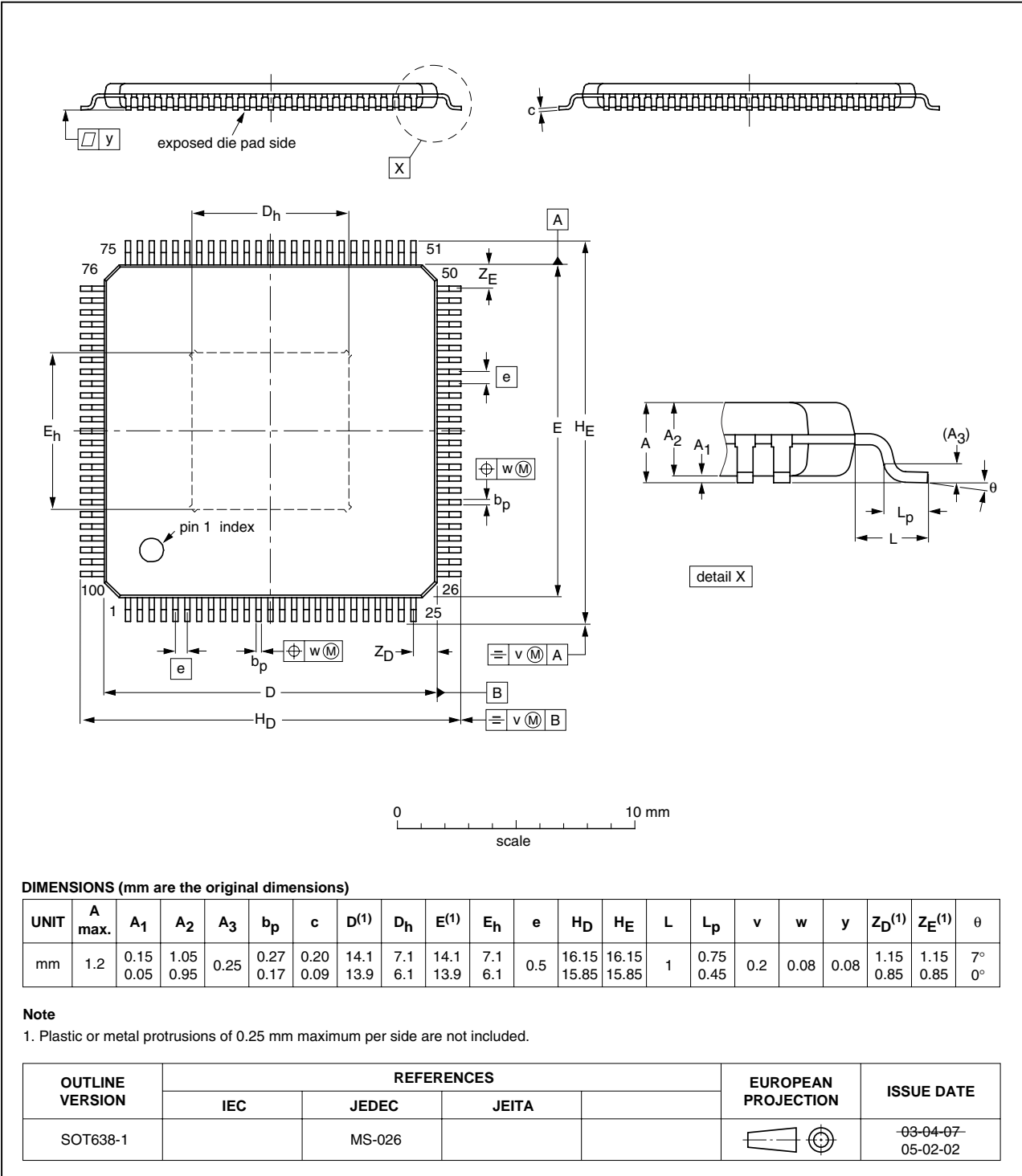


Fig 20. Package outline SOT638-1 (HTQFP100)

## 12. Abbreviations

Table 41. Abbreviations

Acronym	Description
BW	Bandwidth
CDMA	Code Division Multiple Access
CML	Current Mode Logic
CMOS	Complementary Metal-Oxide Semiconductor
DAC	Digital-to-Analog Converter
FIR	Finite Impulse Response
GSM	Global System for Mobile communications
IF	Intermediate Frequency
IMD3	Third-order Inter Modulation Distortion
LISB	Lower Intermediate Significant Byte
LMDS	Local Multipoint Distribution Service
LSB	Least Significant Bit
LTE	Long Term Evolution
LVDS	Low-Voltage Differential Signaling
MMDS	Multichannel Multipoint Distribution Service
MSB	Most Significant Bit
NCO	Numerically Controlled Oscillator
NMOS	Negative Metal-Oxide Semiconductor
PLL	Phase-Locked Loop
SFDR	Spurious-Free Dynamic Range
SPI	Serial Peripheral Interface
TD-SCDMA	Time Division-Synchronous Code Division Multiple Access
UISB	Upper Intermediate Significant Byte
WCDMA	Wideband Code Division Multiple Access
WiMAX	Worldwide Interoperability for Microwave Access



## 13. Glossary

---

**Spurious-Free Dynamic Range (SFDR):** — The ratio between the RMS value of the reconstructed output sine wave and the RMS value of the largest spurious observed (harmonic and non-harmonic, excluding DC component) in the frequency domain.

**Intermodulation Distortion (IMD):** — From a dual-tone digital input sine wave (these two frequencies being close together), the intermodulation distortion products IMD2 and IMD3 (respectively, second and third-order components) are defined below.

**IMD2** — The ratio of the RMS value of either tone to the RMS value of the worst second order intermodulation product.

**IMD3** — The ratio of the RMS value of either tone to the RMS value of the worst third order intermodulation product.

**Restricted Bandwidth Spurious Free Dynamic Range** — The ratio of the RMS value of the reconstructed output sine wave to the RMS value of the noise, including the harmonics, in a given bandwidth centered around  $f_{\text{offset}}$ .

## 14. Revision history

**Table 42. Revision history**

Document ID	Release date	Data sheet status	Change notice	Supersedes
DAC1405D650 v.3	20100910	Product data sheet	-	DAC1405D650 v.2
Modifications:	<ul style="list-style-type: none"> <li>• <a href="#">Figure 18</a>: corrected the value of the resistors on pin AUXnP</li> </ul>			
DAC1405D650 v.2	20100708	Product data sheet	-	DAC1405D650 v.1
Modifications:	<ul style="list-style-type: none"> <li>• Figure 1: changed demodulator to modulator</li> <li>• Table 5: changed DAC Q to DAC B in P<sub>tot</sub> conditions</li> <li>• Table 5: removed note 4</li> <li>• Section 10.2.1: changed “2 to 5 bytes” to “1 to 4 bytes” in third paragraph</li> <li>• Table 10: transposed values 1 and 0 for symbol CLK_SEL</li> <li>• Table 11: highlighted bits 7, 6 and 5 default values</li> <li>• Table 12: highlighted bit 0 default value</li> </ul>			
DAC1405D650 v.1	20090504	Product data sheet	-	-

## 15. Legal information

### 15.1 Data sheet status

Document status <sup>[1][2]</sup>	Product status <sup>[3]</sup>	Definition
Objective [short] data sheet	Development	This document contains data from the objective specification for product development.
Preliminary [short] data sheet	Qualification	This document contains data from the preliminary specification.
Product [short] data sheet	Production	This document contains the product specification.

[1] Please consult the most recently issued document before initiating or completing a design.

[2] The term 'short data sheet' is explained in section "Definitions".

[3] The product status of device(s) described in this document may have changed since this document was published and may differ in case of multiple devices. The latest product status information is available on the Internet at URL <http://www.nxp.com>.

### 15.2 Definitions

**Draft** — The document is a draft version only. The content is still under internal review and subject to formal approval, which may result in modifications or additions. NXP Semiconductors does not give any representations or warranties as to the accuracy or completeness of information included herein and shall have no liability for the consequences of use of such information.

**Short data sheet** — A short data sheet is an extract from a full data sheet with the same product type number(s) and title. A short data sheet is intended for quick reference only and should not be relied upon to contain detailed and full information. For detailed and full information see the relevant full data sheet, which is available on request via the local NXP Semiconductors sales office. In case of any inconsistency or conflict with the short data sheet, the full data sheet shall prevail.

**Product specification** — The information and data provided in a Product data sheet shall define the specification of the product as agreed between NXP Semiconductors and its customer, unless NXP Semiconductors and customer have explicitly agreed otherwise in writing. In no event however, shall an agreement be valid in which the NXP Semiconductors product is deemed to offer functions and qualities beyond those described in the Product data sheet.

### 15.3 Disclaimers

**Limited warranty and liability** — Information in this document is believed to be accurate and reliable. However, NXP Semiconductors does not give any representations or warranties, expressed or implied, as to the accuracy or completeness of such information and shall have no liability for the consequences of use of such information.

In no event shall NXP Semiconductors be liable for any indirect, incidental, punitive, special or consequential damages (including - without limitation - lost profits, lost savings, business interruption, costs related to the removal or replacement of any products or rework charges) whether or not such damages are based on tort (including negligence), warranty, breach of contract or any other legal theory.

Notwithstanding any damages that customer might incur for any reason whatsoever, NXP Semiconductors' aggregate and cumulative liability towards customer for the products described herein shall be limited in accordance with the *Terms and conditions of commercial sale* of NXP Semiconductors.

**Right to make changes** — NXP Semiconductors reserves the right to make changes to information published in this document, including without limitation specifications and product descriptions, at any time and without notice. This document supersedes and replaces all information supplied prior to the publication hereof.

**Suitability for use** — NXP Semiconductors products are not designed, authorized or warranted to be suitable for use in life support, life-critical or safety-critical systems or equipment, nor in applications where failure or

malfunction of an NXP Semiconductors product can reasonably be expected to result in personal injury, death or severe property or environmental damage. NXP Semiconductors accepts no liability for inclusion and/or use of NXP Semiconductors products in such equipment or applications and therefore such inclusion and/or use is at the customer's own risk.

**Applications** — Applications that are described herein for any of these products are for illustrative purposes only. NXP Semiconductors makes no representation or warranty that such applications will be suitable for the specified use without further testing or modification.

Customers are responsible for the design and operation of their applications and products using NXP Semiconductors products, and NXP Semiconductors accepts no liability for any assistance with applications or customer product design. It is customer's sole responsibility to determine whether the NXP Semiconductors product is suitable and fit for the customer's applications and products planned, as well as for the planned application and use of customer's third party customer(s). Customers should provide appropriate design and operating safeguards to minimize the risks associated with their applications and products.

NXP Semiconductors does not accept any liability related to any default, damage, costs or problem which is based on any weakness or default in the customer's applications or products, or the application or use by customer's third party customer(s). Customer is responsible for doing all necessary testing for the customer's applications and products using NXP Semiconductors products in order to avoid a default of the applications and the products or of the application or use by customer's third party customer(s). NXP does not accept any liability in this respect.

**Limiting values** — Stress above one or more limiting values (as defined in the Absolute Maximum Ratings System of IEC 60134) will cause permanent damage to the device. Limiting values are stress ratings only and (proper) operation of the device at these or any other conditions above those given in the Recommended operating conditions section (if present) or the Characteristics sections of this document is not warranted. Constant or repeated exposure to limiting values will permanently and irreversibly affect the quality and reliability of the device.

**Terms and conditions of commercial sale** — NXP Semiconductors products are sold subject to the general terms and conditions of commercial sale, as published at <http://www.nxp.com/profile/terms>, unless otherwise agreed in a valid written individual agreement. In case an individual agreement is concluded only the terms and conditions of the respective agreement shall apply. NXP Semiconductors hereby expressly objects to applying the customer's general terms and conditions with regard to the purchase of NXP Semiconductors products by customer.

**No offer to sell or license** — Nothing in this document may be interpreted or construed as an offer to sell products that is open for acceptance or the grant, conveyance or implication of any license under any copyrights, patents or other industrial or intellectual property rights.

**Export control** — This document as well as the item(s) described herein may be subject to export control regulations. Export might require a prior authorization from national authorities.

**Non-automotive qualified products** — Unless this data sheet expressly states that this specific NXP Semiconductors product is automotive qualified, the product is not suitable for automotive use. It is neither qualified nor tested in accordance with automotive testing or application requirements. NXP Semiconductors accepts no liability for inclusion and/or use of non-automotive qualified products in automotive equipment or applications.

In the event that customer uses the product for design-in and use in automotive applications to automotive specifications and standards, customer (a) shall use the product without NXP Semiconductors' warranty of the product for such automotive applications, use and specifications, and (b) whenever customer uses the product for automotive applications beyond

NXP Semiconductors' specifications such use shall be solely at customer's own risk, and (c) customer fully indemnifies NXP Semiconductors for any liability, damages or failed product claims resulting from customer design and use of the product for automotive applications beyond NXP Semiconductors' standard warranty and NXP Semiconductors' product specifications.

## 15.4 Trademarks

Notice: All referenced brands, product names, service names and trademarks are the property of their respective owners.

## 16. Contact information

For more information, please visit: <http://www.nxp.com>

For sales office addresses, please send an email to: [salesaddresses@nxp.com](mailto:salesaddresses@nxp.com)

**17. Contents**

<b>1</b>	<b>General description</b> .....	<b>1</b>	<b>12</b>	<b>Abbreviations</b> .....	<b>40</b>
<b>2</b>	<b>Features and benefits</b> .....	<b>1</b>	<b>13</b>	<b>Glossary</b> .....	<b>41</b>
<b>3</b>	<b>Applications</b> .....	<b>2</b>	<b>14</b>	<b>Revision history</b> .....	<b>42</b>
<b>4</b>	<b>Ordering information</b> .....	<b>2</b>	<b>15</b>	<b>Legal information</b> .....	<b>43</b>
<b>5</b>	<b>Block diagram</b> .....	<b>3</b>	15.1	Data sheet status .....	43
<b>6</b>	<b>Pinning information</b> .....	<b>4</b>	15.2	Definitions .....	43
6.1	Pinning .....	4	15.3	Disclaimers .....	43
6.2	Pin description .....	5	15.4	Trademarks .....	44
<b>7</b>	<b>Limiting values</b> .....	<b>8</b>	<b>16</b>	<b>Contact information</b> .....	<b>44</b>
<b>8</b>	<b>Thermal characteristics</b> .....	<b>8</b>	<b>17</b>	<b>Contents</b> .....	<b>45</b>
<b>9</b>	<b>Characteristics</b> .....	<b>9</b>			
<b>10</b>	<b>Application information</b> .....	<b>13</b>			
10.1	General description .....	13			
10.2	Serial interface (SPI) .....	13			
10.2.1	Protocol description .....	13			
10.2.2	SPI timing description .....	14			
10.2.3	Detailed descriptions of registers .....	15			
10.2.4	Registers detailed description .....	17			
10.3	Input data .....	22			
10.3.1	Dual-port mode .....	22			
10.3.2	Interleaved mode .....	22			
10.4	Input clock .....	24			
10.5	Timing .....	25			
10.6	FIR filters .....	26			
10.7	Quadrature modulator and Numerically Controlled Oscillator (NCO) .....	27			
10.7.1	NCO in 32-bit .....	27			
10.7.2	Low-power NCO .....	27			
10.7.3	Minus 3dB .....	27			
10.8	$x / (\sin x)$ .....	27			
10.9	DAC transfer function .....	28			
10.10	Full-scale current .....	28			
10.10.1	Regulation .....	28			
10.10.2	Full-scale current adjustment .....	29			
10.11	Digital offset adjustment .....	30			
10.12	Analog output .....	31			
10.13	Auxiliary DACs .....	32			
10.14	Output configuration .....	33			
10.14.1	Basic output configuration .....	33			
10.14.2	DC interface to an Analog Quadrature Modulator (AQM) .....	33			
10.14.3	AC interface to an Analog Quadrature Modulator (AQM) .....	36			
10.15	Power and grounding .....	37			
10.16	Alternative parts .....	38			
<b>11</b>	<b>Package outline</b> .....	<b>39</b>			

Please be aware that important notices concerning this document and the product(s) described herein, have been included in section 'Legal information'.

© NXP B.V. 2010.

All rights reserved.

For more information, please visit: <http://www.nxp.com>

For sales office addresses, please send an email to: [salesaddresses@nxp.com](mailto:salesaddresses@nxp.com)

Date of release: 10 September 2010

Document identifier: DAC1405D650