

ADC12062

12-Bit, 1 MHz, 75 mW A/D Converter with Input Multiplexer and Sample/Hold

General Description

Using an innovative multistep conversion technique, the 12-bit ADC12062 CMOS analog-to-digital converter digitizes signals at a 1 MHz sampling rate while consuming a maximum of only 75 mW on a single +5V supply. The ADC12062 performs a 12-bit conversion in three lower-resolution "flash" conversions, yielding a fast A/D without the cost and power dissipation associated with true flash approaches.

The analog input voltage to the ADC12062 is tracked and held by an internal sampling circuit, allowing high frequency input signals to be accurately digitized without the need for an external sample-and-hold circuit. The multiplexer output is available to the user in order to perform additional external signal processing before the signal is digitized.

When the converter is not digitizing signals, it can be placed in the Standby mode; typical power consumption in this mode is 100 μ W.

Features

- Built-in sample-and-hold
- Single +5V supply
- Single channel or 2 channel multiplexer operation
- Low Power Standby mode

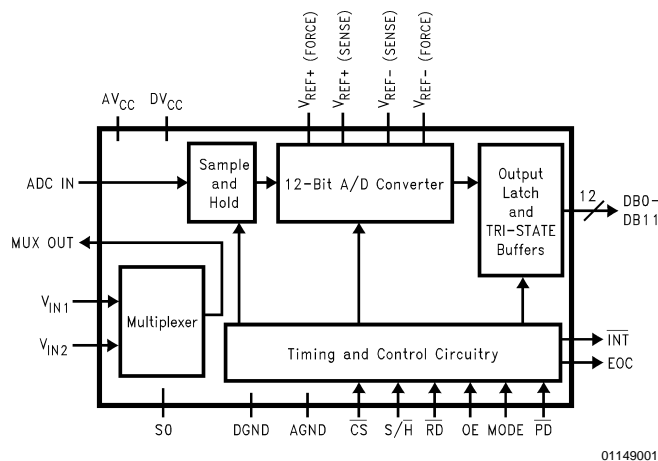
Key Specifications

- Sampling rate: 1 MHz (min)
- Conversion time: 740 ns (typ)
- Signal-to-Noise Ratio, $f_{IN} = 100$ kHz: 69.5 dB (min)
- Power consumption ($f_s = 1$ MHz): 75 mW (max)
- No missing codes over temperature: Guaranteed

Applications

- Digital signal processor front ends
- Instrumentation
- Disk drives
- Mobile telecommunications
- Waveform digitizers

Block Diagram



Ordering Information

| Industrial ($-40^{\circ}\text{C} \leq T_A \leq +85^{\circ}$) | Package |
|--|----------------------------------|
| ADC12062BIVF | VGZ44A Plastic Quad Flat Package |
| ADC12062CIV | V44 Plastic Leaded Chip Carrier |
| ADC12062CIVF | VGZ44A Plastic Quad Flat Package |

Absolute Maximum Ratings (Notes 1,

2)

If Military/Aerospace specified devices are required, please contact the National Semiconductor Sales Office/Distributors for availability and specifications.

| | |
|---|--------------------------|
| Supply Voltage ($V_{CC} = DV_{CC} = AV_{CC}$) | -0.3V to +6V |
| Voltage at Any Input or Output | -0.3V to $V_{CC} + 0.3V$ |
| Input Current at Any Pin (Note 3) | 25 mA |
| Package Input Current (Note 3) | 50 mA |
| Power Dissipation (Note 4) | 875 mW |
| ESD Susceptibility (Note 5) | 2000V |
| Soldering Information (Note 6) | |
| V Package, Infrared, 15 seconds | |
| VF Package | +300°C |
| Vapor Phase (60 seconds) | +215°C |
| Infrared (15 seconds) | +220°C |

| | |
|---|-----------------|
| Storage Temperature Range | -65°C to +150°C |
| Maximum Junction Temperature (T_{JMAX}) | 150°C |

Operating Ratings (Notes 1, 2)

| | |
|---|---------------------------------|
| Temperature Range | $T_{MIN} \leq T_A \leq T_{MAX}$ |
| ADC12062CIV, ADC12062BIVF, ADC12062CIVF | -40°C $\leq T_A \leq$ +85°C |
| Supply Voltage Range ($DV_{CC} = AV_{CC}$) | 4.5V to 5.5V |

Converter Characteristics

The following specifications apply for $DV_{CC} = AV_{CC} = +5V$, $V_{REF+(SENSE)} = +4.096V$, $V_{REF-(SENSE)} = AGND$, and $f_s = 1$ MHz, unless otherwise specified. **Boldface limits apply for $T_A = T_J$ from T_{MIN} to T_{MAX}** ; all other limits $T_A = T_J = +25^\circ C$.

| Symbol | Parameter | Conditions | Typ (Note 7) | Limit (Note 8) | Units (Limit) |
|--------------|---------------------------------------|---|-----------------|---|----------------------------------|
| | Resolution | | | 12 | Bits |
| | Differential Linearity Error | $T_A = 25^\circ C$ T_{MIN} to T_{MAX} | ± 0.4 | ± 0.8 ± 0.95 | LSB (max) LSB (max) |
| | Integral Linearity Error (Note 9) | T_{MIN} to T_{MAX} (BIV Suffix) | ± 0.4 | ± 1.0 | LSB (max) |
| | | $T_A = +25^\circ C$ (CIV Suffix) T_{MIN} to T_{MAX} (CIV Suffix) | ± 0.4 | ± 1.0 ± 1.5 | LSB (max) LSB (max) |
| | Offset Error | T_{MIN} to T_{MAX} (BIV Suffix) | ± 0.3 | ± 1.25 | LSB (max) |
| | | $T_A = +25^\circ C$ (CIV Suffix) T_{MIN} to T_{MAX} (CIV Suffix) | ± 0.3 | ± 1.25 ± 2.0 | LSB (max) LSB (max) |
| | Full Scale Error | T_{MIN} to T_{MAX} (BIV Suffix) | ± 0.2 | ± 1.0 | LSB (max) |
| | | $T_A = +25^\circ C$ (CIV Suffix) T_{MIN} to T_{MAX} (CIV Suffix) | ± 0.2 | ± 1.0 ± 1.5 | LSB (max) LSB (max) |
| | Power Supply Sensitivity (Note 15) | $DV_{CC} = AV_{CC} = 5V \pm 10\%$ | | ± 1.0 | LSB (max) |
| R_{REF} | Reference Resistance | | 1000 | 600 1300 | Ω (min) Ω (max) |
| $V_{REF(+)}$ | $V_{REF+(SENSE)}$ Input Voltage | | | AV_{CC} | V (max) |
| $V_{REF(-)}$ | $V_{REF-(SENSE)}$ Input Voltage | | | AGND | V (min) |
| V_{IN} | Input Voltage Range | To V_{IN1} , V_{IN2} , or ADC IN | | $AV_{CC} + 0.05V$ $AGND - 0.05V$ | V (max) V (min) |
| | ADC IN Input Leakage | AGND to $AV_{CC} - 0.3V$ | 0.1 | 3 | μA (max) |
| C_{ADC} | ADC IN Input Capacitance | | 25 | | pF |
| | MUX On-Channel Leakage | AGND to $AV_{CC} - 0.3V$ | 0.1 | 3 | μA (max) |
| | MUX Off-Channel Leakage | AGND to $AV_{CC} - 0.3V$ | 0.1 | 3 | μA (max) |
| C_{MUX} | Multiplexer Input Cap | | 7 | | pF |
| | MUX Off Isolation | $f_{IN} = 100$ kHz | 92 | | dB |

Dynamic Characteristics (Note 10)

The following specifications apply for $DV_{CC} = AV_{CC} = +5V$, $V_{REF+(SENSE)} = +4.096V$, $V_{REF-(SENSE)} = AGND$, $R_S = 25\Omega$, $f_{IN} = 100\text{ kHz}$, 0 dB from fullscale, and $f_s = 1\text{ MHz}$, unless otherwise specified. **Boldface limits apply for $T_A = T_J$ from T_{MIN} to T_{MAX}** ; all other limits $T_A = T_J = +25^\circ\text{C}$.

| Symbol | Parameter | Conditions | Typ (Note 7) | Limit (Note 8) | Units (Limit) |
|--------|--|---|-----------------|-------------------|------------------------|
| SINAD | Signal-to-Noise Plus Distortion Ratio | T_{MIN} to T_{MAX} | 71 | 68.0 | dB (min) |
| SNR | Signal-to-Noise Ratio (Note 11) | T_{MIN} to T_{MAX} | 72 | 69.5 | dB (min) |
| THD | Total Harmonic Distortion (Note 12) | $T_A = +25^\circ\text{C}$ T_{MIN} to T_{MAX} | -82 | -74 -70 | dBc (max) dBc (max) |
| ENOB | Effective Number of Bits (Note 13) | T_{MIN} to T_{MAX} | 11.5 | 11.0 | Bits (min) |
| IMD | Intermodulation Distortion | $f_{IN} = 102.3\text{ kHz}, 102.7\text{ kHz}$ | -80 | | dBc |

DC Electrical Characteristics

The following specifications apply for $DV_{CC} = AV_{CC} = +5V$, $V_{REF+(SENSE)} = +4.096V$, $V_{REF-(SENSE)} = AGND$, and $f_s = 1\text{ MHz}$, unless otherwise specified. **Boldface limits apply for $T_A = T_J$ from T_{MIN} to T_{MAX}** ; all other limits $T_A = T_J = +25^\circ\text{C}$.

| Symbol | Parameter | Conditions | Typ (Note 7) | Limit (Note 8) | Units (Limit) |
|---------------|---|---|-----------------|---------------------------|---------------------|
| $V_{IN(1)}$ | Logical "1" Input Voltage | $DV_{CC} = AV_{CC} = +5.5V$ | | 2.0 | V (min) |
| $V_{IN(0)}$ | Logical "0" Input Voltage | $DV_{CC} = AV_{CC} = +4.5V$ | | 0.8 | V (max) |
| $I_{IN(1)}$ | Logical "1" Input Current | | 0.1 | 1.0 | μA (max) |
| $I_{IN(0)}$ | Logical "0" Input Current | | 0.1 | 1.0 | μA (max) |
| $V_{OUT(1)}$ | Logical "1" Output Voltage | $DV_{CC} = AV_{CC} = +4.5V$, $I_{OUT} = -360\ \mu\text{A}$ $I_{OUT} = -100\ \mu\text{A}$ | | 2.4 4.25 | V (min) V (min) |
| $V_{OUT(0)}$ | Logical "0" Output Voltage | $DV_{CC} = AV_{CC} = +4.5V$, $I_{OUT} = 1.6\text{ mA}$ | | 0.4 | V (max) |
| I_{OUT} | TRI-STATE® Output Leakage Current | Pins DB0–DB11 | 0.1 | 3 | μA (max) |
| C_{OUT} | TRI-STATE Output Capacitance | Pins DB0–DB11 | 5 | | pF |
| C_{IN} | Digital Input Capacitance | | 4 | | pF |
| DI_{CC} | DV_{CC} Supply Current | | 2 | 3 | mA (max) |
| AI_{CC} | AV_{CC} Supply Current | | 10 | 12 | mA (max) |
| $I_{STANDBY}$ | Standby Current ($DI_{CC} + AI_{CC}$) | $\overline{PD} = 0V$ | 20 | | μA |

AC Electrical Characteristics

The following specifications apply for $DV_{CC} = AV_{CC} = +5V$, $V_{REF+(SENSE)} = +4.096V$, $V_{REF-(SENSE)} = AGND$, and $f_s = 1\text{ MHz}$, unless otherwise specified. **Boldface limits apply for $T_A = T_J$ from T_{MIN} to T_{MAX}** ; all other limits $T_A = T_J = +25^\circ\text{C}$.

| Symbol | Parameter | Conditions | Typ (Note 7) | Limit (Note 8) | Units (Limits) |
|----------------------|---|------------|-----------------|--------------------------|----------------------|
| f_s | Maximum Sampling Rate ($1/t_{THROUGHPUT}$) | | | 1 | MHz (min) |
| t_{CONV} | Conversion Time (S/\overline{H} Low to EOC High) | | 740 | 600 980 | ns (min) ns (max) |
| t_{AD} | Aperture Delay (S/\overline{H} Low to Input Voltage Held) | | 20 | | ns |
| $t_{S/\overline{H}}$ | S/\overline{H} Pulse Width | | | 5 550 | ns (min) ns (max) |

AC Electrical Characteristics (Continued)

The following specifications apply for $DV_{CC} = AV_{CC} = +5V$, $V_{REF+(SENSE)} = +4.096V$, $V_{REF-(SENSE)} = AGND$, and $f_s = 1\text{ MHz}$, unless otherwise specified. **Boldface limits apply for $T_A = T_J$ from T_{MIN} to T_{MAX} ; all other limits $T_A = T_J = +25^\circ\text{C}$.**

| Symbol | Parameter | Conditions | Typ (Note 7) | Limit (Note 8) | Units (Limits) |
|------------------|--|--------------------------------|-----------------|-------------------------|----------------------|
| t_{EOC} | S/ \bar{H} Low to EOC Low | | 95 | 60 185 | ns (min) ns (max) |
| t_{ACC} | Access Time (\bar{RD} Low or OE High to Data Valid) | $C_L = 100\text{ pF}$ | 10 | 20 | ns (max) |
| t_{1H}, t_{0H} | TRI-STATE Control (\bar{RD} High or OE Low to Databus TRI-STATE) | $R_L = 1k, C_L = 10\text{ pF}$ | 25 | 40 | ns (max) |
| t_{INTH} | Delay from \bar{RD} Low to \bar{INT} High | $C_L = 100\text{ pF}$ | 35 | 60 | ns (max) |
| t_{INTL} | Delay from EOC High to \bar{INT} Low | $C_L = 100\text{ pF}$ | -25 | -35 -5 | ns (min) ns (max) |
| t_{UPDATE} | EOC High to New Data Valid | | 5 | 30 | ns (max) |
| t_{MS} | Multiplexer Address Setup Time (MUX Address Valid to EOC Low) | | | 50 | ns (min) |
| t_{MH} | Multiplexer Address Hold Time (EOC Low to MUX Address Invalid) | | | 50 | ns (min) |
| t_{CSS} | \bar{CS} Setup Time (\bar{CS} Low to \bar{RD} Low, S/ \bar{H} Low, or OE High) | | | 20 | ns (min) |
| t_{CSH} | \bar{CS} Hold Time (\bar{CS} High after \bar{RD} High, S/ \bar{H} High, or OE Low) | | | 20 | ns (min) |
| t_{WU} | Wake-Up Time (\bar{PD} High to First S/ \bar{H} Low) | | 1 | | μs |

Note 1: Absolute Maximum Ratings indicate limits beyond which damage to the device may occur. Operating Ratings indicate conditions for which the device is functional. These ratings do not guarantee specific performance limits, however. For guaranteed specifications and test conditions, see the Electrical Characteristics. The guaranteed specifications apply only for the test conditions listed. Some performance characteristics may degrade when the device is not operated under the listed test conditions.

Note 2: All voltages are measured with respect to GND (GND = AGND = DGND), unless otherwise specified.

Note 3: When the input voltage (V_{IN}) at any pin exceeds the power supply rails ($V_{IN} < GND$ or $V_{IN} > V_{CC}$) the absolute value of current at that pin should be limited to 25 mA or less. The 50 mA package input current limits the number of pins that can safely exceed the power supplies with an input current of 25 mA to two.

Note 4: The maximum power dissipation must be derated at elevated temperatures and is dictated by T_{JMAX} , θ_{JA} and the ambient temperature T_A . The maximum allowable power dissipation at any temperature is $P_D = (T_{JMAX} - T_A)/\theta_{JA}$ or the number given in the Absolute Maximum Ratings, whichever is lower. θ_{JA} for the V (PLCC) package is 55°C/W. θ_{JA} for the VF (PQFP) package is 62°C/W. In most cases the maximum derated power dissipation will be reached only during fault conditions.

Note 5: Human body model, 100 pF discharged through a 1.5 k Ω resistor. Machine model ESD rating is 200V.

Note 6: See AN-450 "Surface Mounting Methods and Their Effect on Product Reliability" or the section titled "Surface Mount" found in a current National Semiconductor Linear Data Book for other methods of soldering surface mount devices.

Note 7: Typical values are at +25°C and represent most likely parametric norm.

Note 8: Tested limits are guaranteed to National's AOQL (Average Outgoing Quality Level).

Note 9: Integral Linearity Error is the maximum deviation from a straight line between the measured offset and full scale endpoints.

Note 10: Dynamic testing of the ADC12062 is done using the ADC IN input. The input multiplexer adds harmonic distortion at high frequencies. See the graph in the Typical Performance Characteristics section for a typical graph of THD performance vs input frequency with and without the input multiplexer.

Note 11: The signal-to-noise ratio is the ratio of the signal amplitude to the background noise level. Harmonics of the input signal are not included in its calculation.

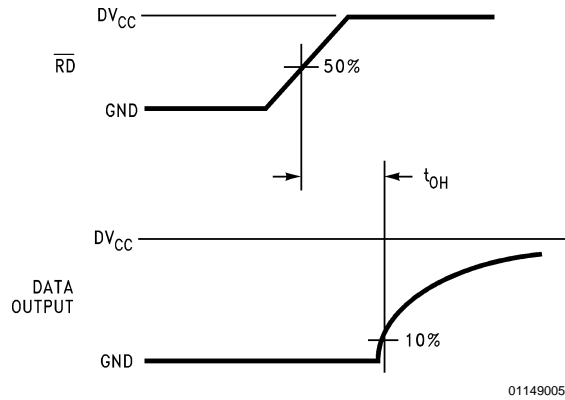
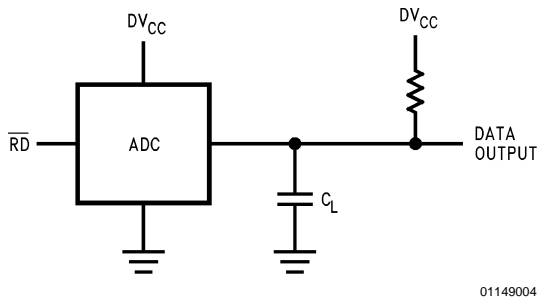
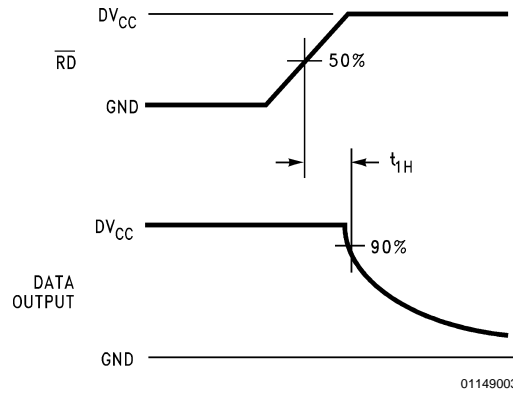
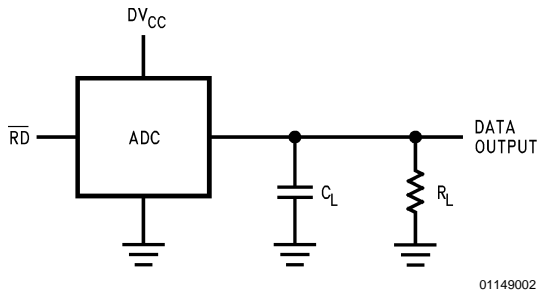
Note 12: The contributions from the first nine harmonics are used in the calculation of the THD.

Note 13: Effective Number of Bits (ENOB) is calculated from the measured signal-to-noise plus distortion ratio (SINAD) using the equation $ENOB = (SINAD - 1.76)/6.02$.

Note 14: The digital power supply current takes up to 10 seconds to decay to its final value after \bar{PD} is pulled low. This prohibits production testing of the standby current. Some parts may exhibit significantly higher standby currents than the 20 μA typical.

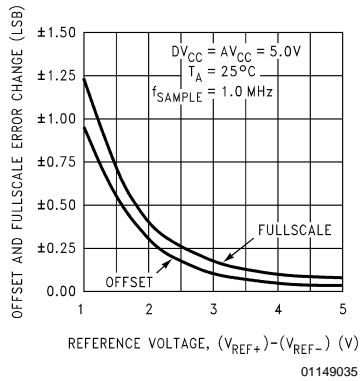
Note 15: Power Supply Sensitivity is defined as the change in the Offset Error or the Full Scale Error due to a change in the supply voltage.

TRI-STATE Test Circuit and Waveforms

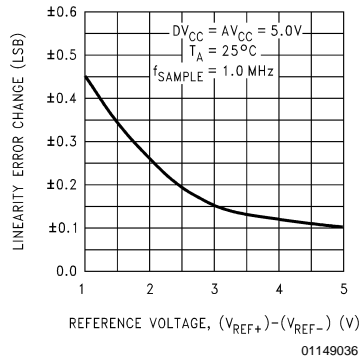


Typical Performance Characteristics

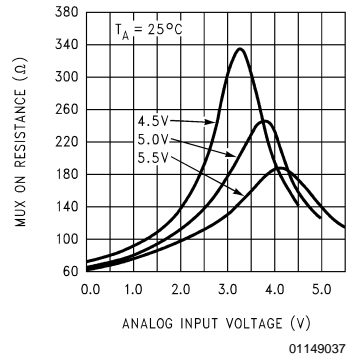
Offset and Fullscale Error Change vs Reference Voltage



Linearity Error Change vs Reference Voltage

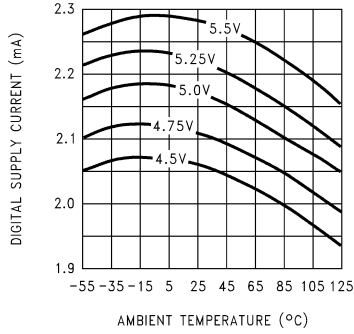


Mux ON Resistance vs Input Voltage



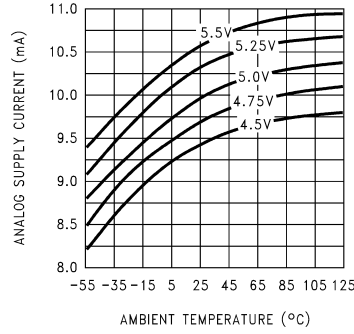
Typical Performance Characteristics (Continued)

Digital Supply Current vs Temperature



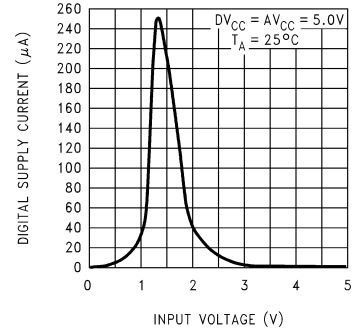
01149038

Analog Supply Current vs Temperature



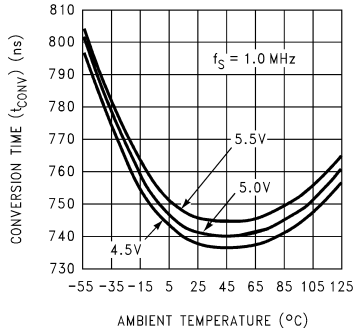
01149039

Current Consumption in Standby Mode vs Voltage on Digital Input Pins



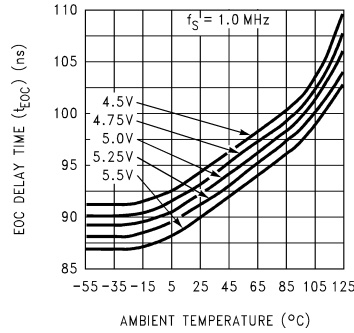
01149040

Conversion Time (t_{CONV}) vs Temperature



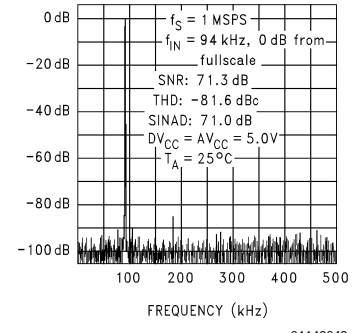
01149041

EOC Delay Time (t_{EOC}) vs Temperature



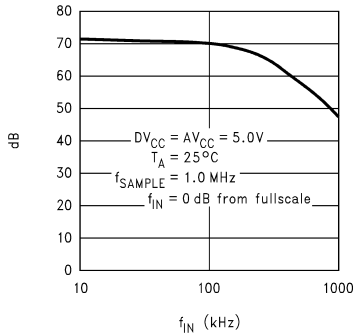
01149042

Spectral Response



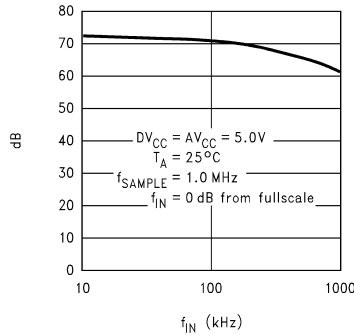
01149043

SINAD vs Input Frequency (ADC IN)



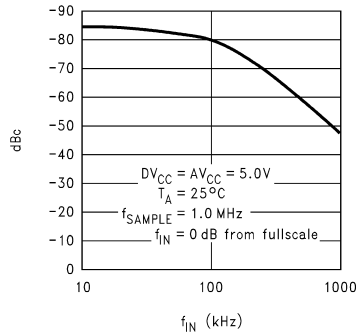
01149044

SNR vs Input Frequency (ADC IN)



01149045

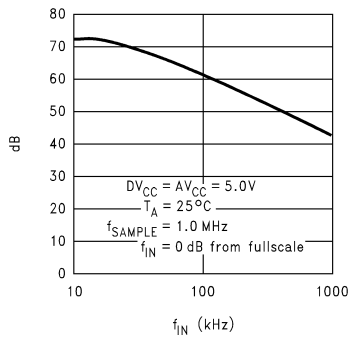
THD vs Input Frequency (ADC IN)



01149046

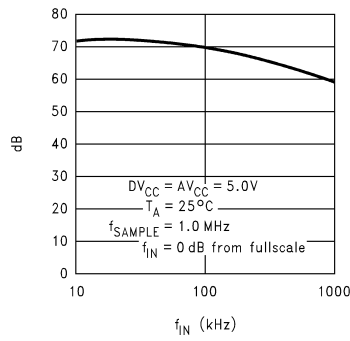
Typical Performance Characteristics (Continued)

SINAD vs Input Frequency (Through Mux)



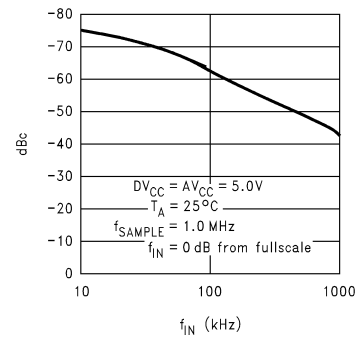
01149047

SNR vs Input Frequency (Through Mux)



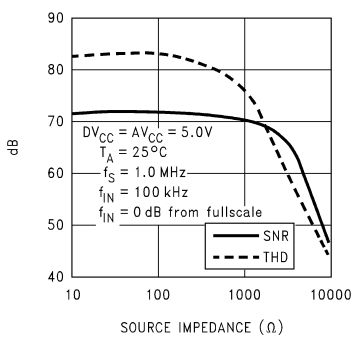
01149048

THD vs Input Frequency (Through Mux)



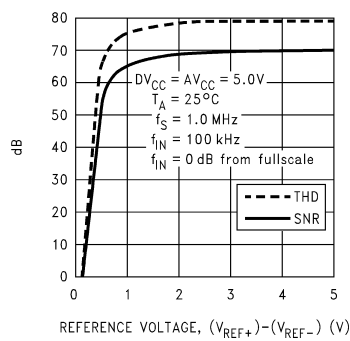
01149049

SNR and THD vs Source Impedance



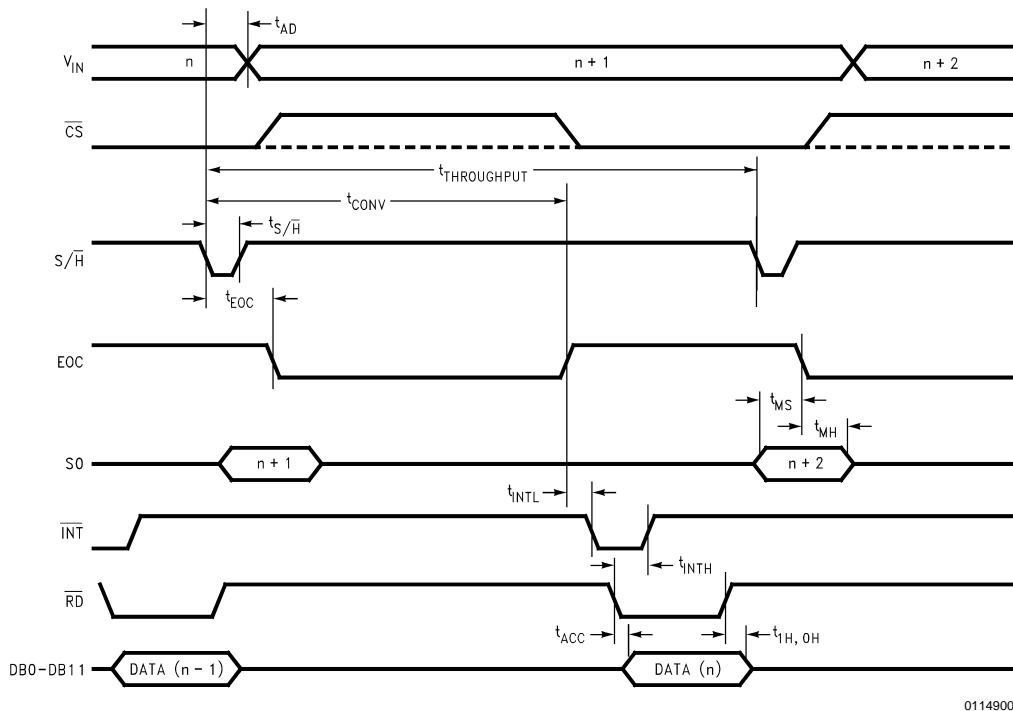
01149050

SNR and THD vs Reference Voltage



01149051

Timing Diagrams



01149009

FIGURE 1. Interrupt Interface Timing (MODE = 1, OE = 1)

Timing Diagrams (Continued)

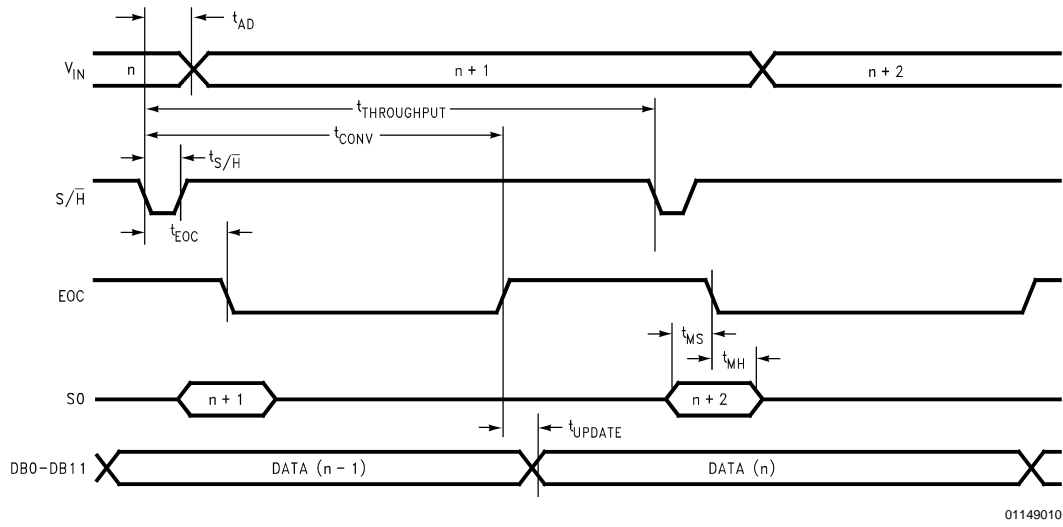


FIGURE 2. High Speed Interface Timing (MODE = 1, OE = 1, $\overline{CS} = 0$, $\overline{RD} = 0$)

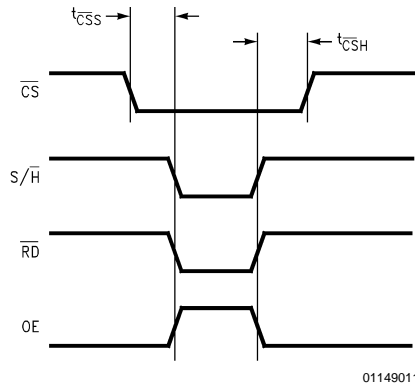
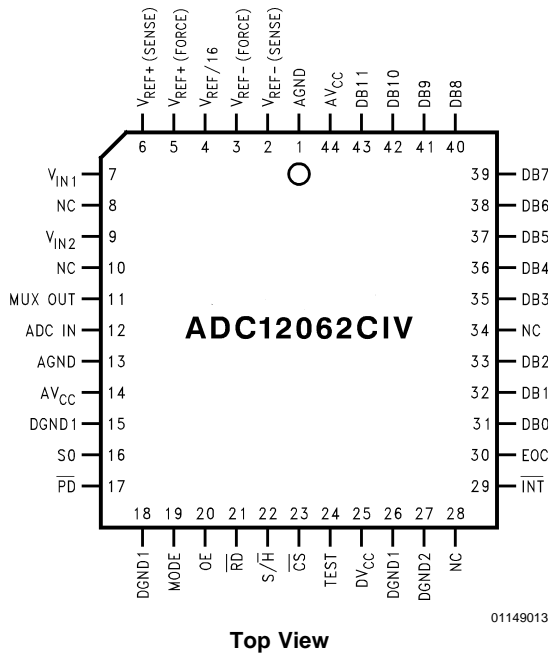
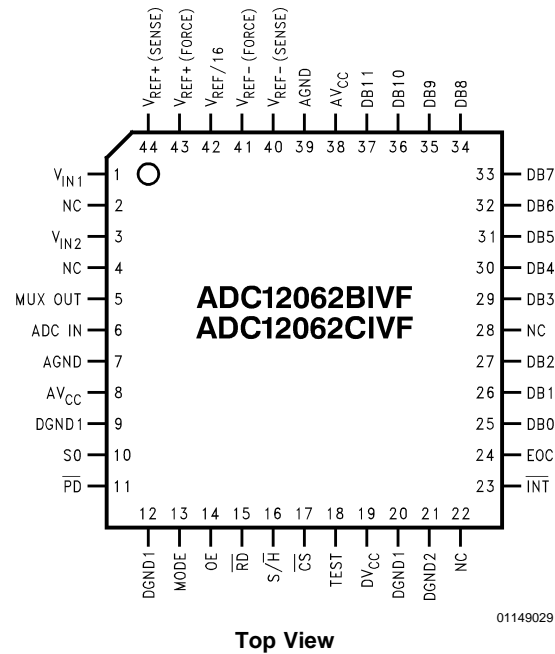


FIGURE 3. \overline{CS} Setup and Hold Timing for S/H, \overline{RD} , and OE

Connection Diagrams



Top View



Top View

Pin Descriptions

- AV_{CC}** These are the two positive analog supply inputs. They should always be connected to the same voltage source, but are brought out separately to allow for separate bypass capacitors. Each supply pin should be bypassed to AGND with a 0.1 μF ceramic capacitor in parallel with a 10 μF tantalum capacitor.
- DV_{CC}** This is the positive digital supply input. It should always be connected to the same voltage as the analog supply, AV_{CC}. It should be bypassed to DGND2 with a 0.1 μF ceramic capacitor in parallel with a 10 μF tantalum capacitor.
- AGND, DGND1, DGND2** These are the power supply ground pins. There are separate analog and digital ground pins for separate bypassing of the analog and digital supplies. The ground pins should be connected to a stable, noise-free system ground. All of the ground pins should be returned to the same potential. AGND is the analog ground for the converter. DGND1 is the ground pin for the digital control lines. DGND2 is the ground return for the output databus. See Section 6.0 LAYOUT AND GROUNDING for more information.
- DB0–DB11** These are the TRI-STATE output pins, enabled by \overline{RD} , \overline{CS} , and OE.
- V_{IN1}, V_{IN2}** These are the analog input pins to the multiplexer. For accurate conversions, no input pin (even one that is not selected) should be driven more than 50 mV below ground or 50 mV above V_{CC}.
- MUX OUT** This is the output of the on-board analog input multiplexer.

- ADC IN** This is the direct input to the 12-bit sampling A/D converter. For accurate conversions, this pin should not be driven more than 80 mV below AGND or 50 mV above AV_{CC}.
- S0** This pin selects the analog input that will be connected to the ADC12062 during the conversion. The input is selected based on the state of S0 when EOC makes its high-to-low transition. Low selects V_{IN1}, high selects V_{IN2}.
- MODE** This pin should be tied to DV_{CC}.
- \overline{CS}** This is the active low Chip Select control input. When low, this pin enables the \overline{RD} , $\overline{S/H}$, and OE inputs. This pin can be tied low.
- \overline{INT}** This is the active low Interrupt output. When using the Interrupt Interface Mode (Figure 1), this output goes low when a conversion has been completed and indicates that the conversion result is available in the output latches. This output is always high when \overline{RD} is held low (Figure 2).
- \overline{EOC}** This is the End-of-Conversion control output. This output is low during a conversion.
- \overline{RD}** This is the active low Read control input. When \overline{RD} is low (and \overline{CS} is low), the \overline{INT} output is reset and (if OE is high) data appears on the data bus. This pin can be tied low.
- OE** This is the active high Output Enable control input. This pin can be thought of as an inverted version of the \overline{RD} input (see Figure 6). Data output pins DB0–DB11 are TRI-STATE when OE is low. Data appears on DB0–DB11 only when OE is high and \overline{CS} and \overline{RD} are both low. This pin can be tied high.
- $\overline{S/H}$** This is the Sample/Hold control input. The analog input signal is held and a new conver-

Pin Descriptions (Continued)

| | |
|---------------------------------------|--|
| | sion is initiated by the falling edge of this control input (when \overline{CS} is low). |
| \overline{PD} | This is the Power Down control input. This pin should be held high for normal operation. When this pin is pulled low, the device goes into a low power standby mode. |
| $V_{REF+(FORCE)}$, $V_{REF-(FORCE)}$ | These are the positive and negative voltage reference force inputs, respectively. See Section 4, REFERENCE INPUTS, for more information. |
| $V_{REF+(SENSE)}$, $V_{REF-(SENSE)}$ | These are the positive and negative voltage reference sense pins, respectively. See Section 4, REFERENCE INPUTS, for more information. |
| $V_{REF}/16$ | This pin should be bypassed to AGND with a 0.1 μ F ceramic capacitor. |
| TEST | This pin should be tied to DV_{CC} . |

Functional Description

The ADC12062 performs a 12-bit analog-to-digital conversion using a 3 step flash technique. The first flash determines the six most significant bits, the second flash generates four more bits, and the final flash resolves the two least significant bits. *Figure 4* shows the major functional blocks of the converter. It consists of a 2½-bit Voltage Estimator, a resistor ladder with two different resolution voltage spans, a sample/hold capacitor, a 4-bit flash converter with front end multiplexer, a digitally corrected DAC, and a capacitive voltage divider.

The resistor string near the center of the block diagram in *Figure 4* generates the 6-bit and 10-bit reference voltages for the first two conversions. Each of the 16 resistors at the bottom of the string is equal to 1/1024 of the total string resistance. These resistors form the **LSB Ladder** (The weight of each resistor on the LSB ladder is actually equivalent to four 12-bit LSBs. It is called the LSB ladder because it has the highest resolution of all the ladders in the converter) and have a voltage drop of 1/1024 of the total reference voltage ($V_{REF+} - V_{REF-}$) across each of them. The remaining resistors form the **MSB Ladder**. It is comprised of eight groups of eight resistors each connected in series (the lowest MSB ladder resistor is actually the entire LSB ladder). Each MSB Ladder section has 1/8 of the total reference voltage across it. Within a given MSB ladder section, each of the eight MSB resistors has 1/64 of the total reference voltage across it. Tap points are found between all of the

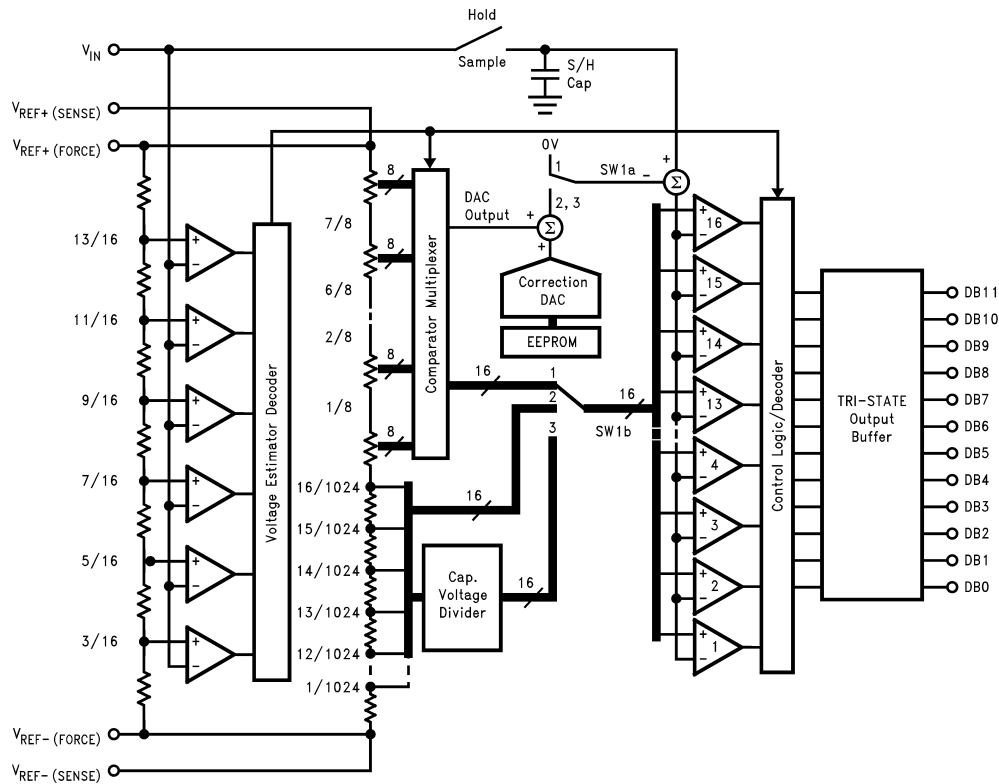
resistors in both the MSB and LSB ladders. The Comparator Multiplexer can connect any of these tap points, in two adjacent groups of eight, to the sixteen comparators shown at the right of *Figure 4*. This function provides the necessary reference voltages to the comparators during the first two flash conversions.

The six comparators, seven-resistor string (Estimator DAC ladder), and Estimator Decoder at the left of *Figure 4* form the Voltage Estimator. The Estimator DAC, connected between V_{REF+} and V_{REF-} , generates the reference voltages for the six Voltage Estimator comparators. The comparators perform a very low resolution A/D conversion to obtain an “estimate” of the input voltage. This estimate is used to control the placement of the Comparator Multiplexer, connecting the appropriate MSB ladder section to the sixteen flash comparators. A total of only 22 comparators (6 in the Voltage Estimator and 16 in the flash converter) is required to quantize the input to 6 bits, instead of the 64 that would be required using a traditional 6-bit flash.

Prior to a conversion, the Sample/Hold switch is closed, allowing the voltage on the S/H capacitor to track the input voltage. Switch 1 is in position 1. A conversion begins by opening the Sample/Hold switch and latching the output of the Voltage Estimator. The estimator decoder then selects two adjacent banks of tap points along the MSB ladder. These sixteen tap points are then connected to the sixteen flash converters. For example, if the input voltage is between 5/16 and 7/16 of V_{REF} ($V_{REF} = V_{REF+} - V_{REF-}$), the estimator decoder instructs the comparator multiplexer to select the sixteen tap points between 2/8 and 4/8 (4/16 and 8/16) of V_{REF} and connects them to the sixteen comparators. The first flash conversion is now performed, producing the first 6 MSBs of data.

At this point, Voltage Estimator errors as large as 1/16 of V_{REF} will be corrected since the comparators are connected to ladder voltages that extend beyond the range specified by the Voltage Estimator. For example, if $(7/16)V_{REF} < V_{IN} < (9/16)V_{REF}$, the Voltage Estimator’s comparators tied to the tap points below $(9/16)V_{REF}$ will output “1”s (000111). This is decoded by the estimator decoder to “10”. The 16 comparators will be placed on the MSB ladder tap points between $(3/8)V_{REF}$ and $(5/8)V_{REF}$. This overlap of $(1/16)V_{REF}$ will automatically cancel a Voltage Estimator error of up to 256 LSBs. If the first flash conversion determines that the input voltage is between $(3/8)V_{REF}$ and $((4/8)V_{REF} - LSB/2)$, the Voltage Estimator’s output code will be corrected by subtracting “1”, resulting in a corrected value of “01” for the first two MSBs. If the first flash conversion determines that the input voltage is between $(4/8)V_{REF} - LSB/2$ and $(5/8)V_{REF}$, the voltage estimator’s output code is unchanged.

Functional Description (Continued)



01149014

FIGURE 4. Functional Block Diagram

The results of the first flash and the Voltage Estimator's output are given to the factory-programmed on-chip EEPROM which returns a correction code corresponding to the error of the MSB ladder at that tap. This code is converted to a voltage by the Correction DAC. To generate the next four bits, SW1 is moved to position 2, so the ladder voltage and the correction voltage are subtracted from the input voltage. The remainder is applied to the sixteen flash converters and compared with the 16 tap points from the LSB ladder.

The result of this second conversion is accurate to 10 bits and describes the input remainder as a voltage between two tap points (V_H and V_L) on the LSB ladder. To resolve the last two bits, the voltage across the ladder resistor (between V_H and V_L) is divided up into 4 equal parts by the capacitive voltage divider, shown in Figure 5. The divider also creates 6 LSBs below V_L and 6 LSBs above V_H to provide overlap used by the digital error correction. SW1 is moved to position 3, and the remainder is compared with these 16 new voltages. The output is combined with the results of the Voltage Estimator, first flash, and second flash to yield the final 12-bit result.

By using the same sixteen comparators for all three flash conversions, the number of comparators needed by the multi-step converter is significantly reduced when compared to standard multi-step techniques.

Applications Information

1.0 MODES OF OPERATION

The ADC12062 has two interface modes: An interrupt/read mode and a high speed mode. Figure 1 and Figure 2 show the timing diagrams for these interfaces.

In order to clearly show the relationship between S/\bar{H} , \overline{CS} , \overline{RD} , and OE , the control logic decoding section of the ADC12062 is shown in Figure 6.

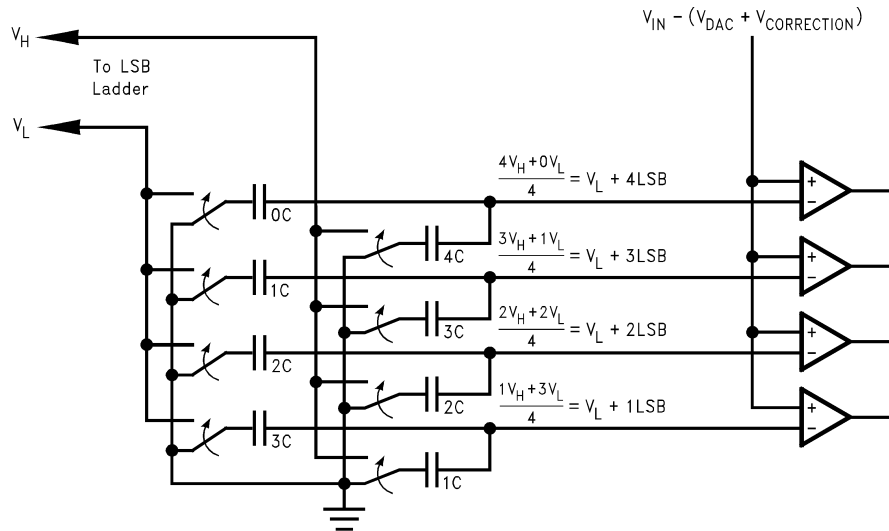
Interrupt Interface

As shown in Figure 1, the falling edge of S/\bar{H} holds the input voltage and initiates a conversion. At the end of the conversion, the EOC output goes high and the \overline{INT} output goes low, indicating that the conversion results are latched and may be read by pulling \overline{RD} low. The falling edge of \overline{RD} resets the \overline{INT} line. Note that \overline{CS} must be low to enable S/\bar{H} or \overline{RD} .

High Speed Interface

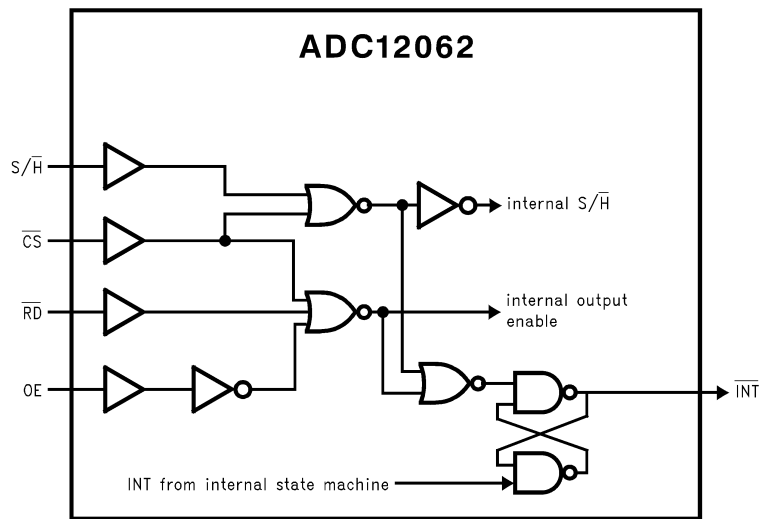
This is the fastest interface, shown in Figure 2. Here the output data is always present on the databus, and the \overline{INT} to \overline{RD} delay is eliminated.

Applications Information (Continued)



01149015

FIGURE 5. The Capacitive Voltage Divider



01149016

FIGURE 6. ADC Control Logic

2.0 THE ANALOG INPUT

The analog input of the ADC12062 can be modeled as two small resistances in series with the capacitance of the input hold capacitor (C_{IN}), as shown in Figure 7. The S/H switch is closed during the Sample period, and open during Hold. The source has to charge C_{IN} to the input voltage within the sample period. Note that the source impedance of the input voltage (R_{SOURCE}) has a direct effect on the time it takes to charge C_{IN} . If R_{SOURCE} is too large, the voltage across C_{IN} will not settle to within 0.5 LSBs of V_{SOURCE} before the conversion begins, and the conversion results will be incorrect. From a dynamic performance viewpoint, the combination of R_{SOURCE} , R_{MUX} , R_{SW} , and C_{IN} form a low pass filter. Minimizing R_{SOURCE} will increase the frequency response of the input stage of the converter.

Typical values for the components shown in Figure 7 are: $R_{MUX} = 100\Omega$, $R_{SW} = 100\Omega$, and $C_{IN} = 25\text{ pF}$. The settling time to n bits is:

$$t_{SETTLE} = (R_{SOURCE} + R_{MUX} + R_{SW}) * C_{IN} * n * \ln(2).$$

The bandwidth of the input circuit is:

$$f_{-3dB} = 1/(2 * 3.14 * (R_{SOURCE} + R_{MUX} + R_{SW}) * C_{IN})$$

For maximum performance, the impedance of the source driving the ADC12062 should be made as small as possible. A source impedance of 100Ω or less is recommended. A plot of dynamic performance vs. source impedance is given in the Typical Performance Characteristics section.

If the signal source has a high output impedance, its output should be buffered with an operational amplifier capable of driving a switched $25\text{ pF}/100\Omega$ load. Any ringing or instabilities at the op amp's output during the sampling period can result in conversion errors. The LM6361 high speed op amp

Applications Information (Continued)

is a good choice for this application due to its speed and its ability to drive large capacitive loads. *Figure 8* shows the LM6361 driving the ADC IN input of an ADC12062. The 100 pF capacitor at the input of the converter absorbs some

of the high frequency transients generated by the S/H switching, reducing the op amp transient response requirements. The 100 pF capacitor should only be used with high speed op amps that are unconditionally stable driving capacitive loads.

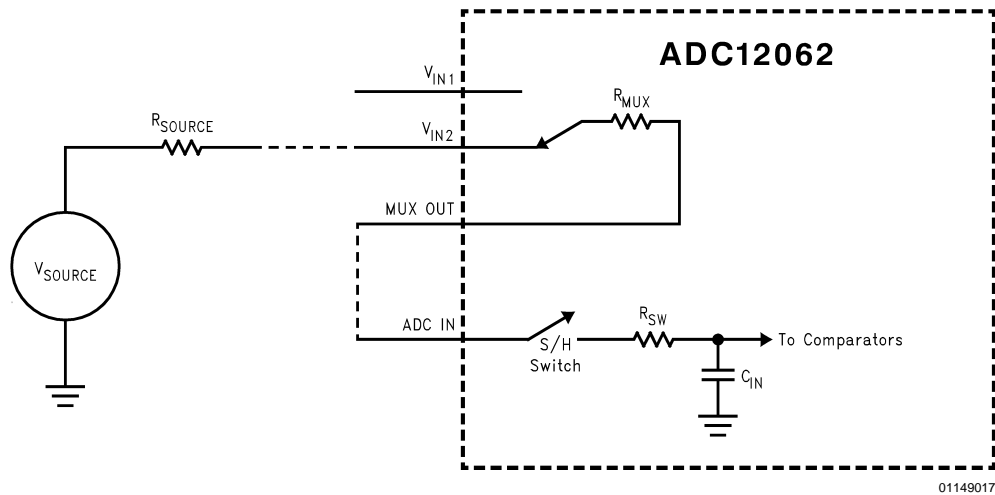


FIGURE 7. Simplified ADC12062 Input Stage

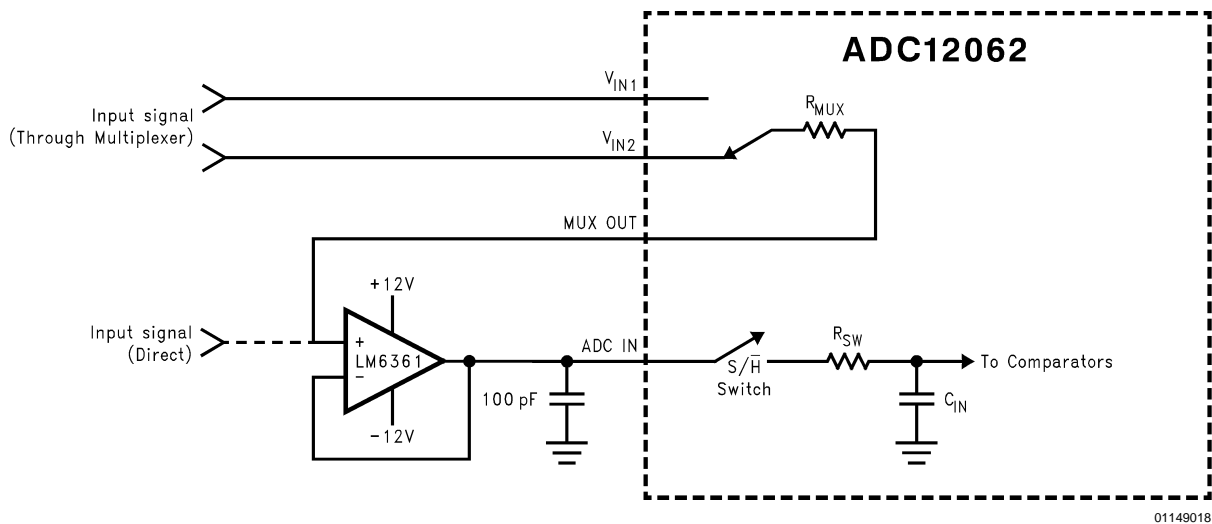


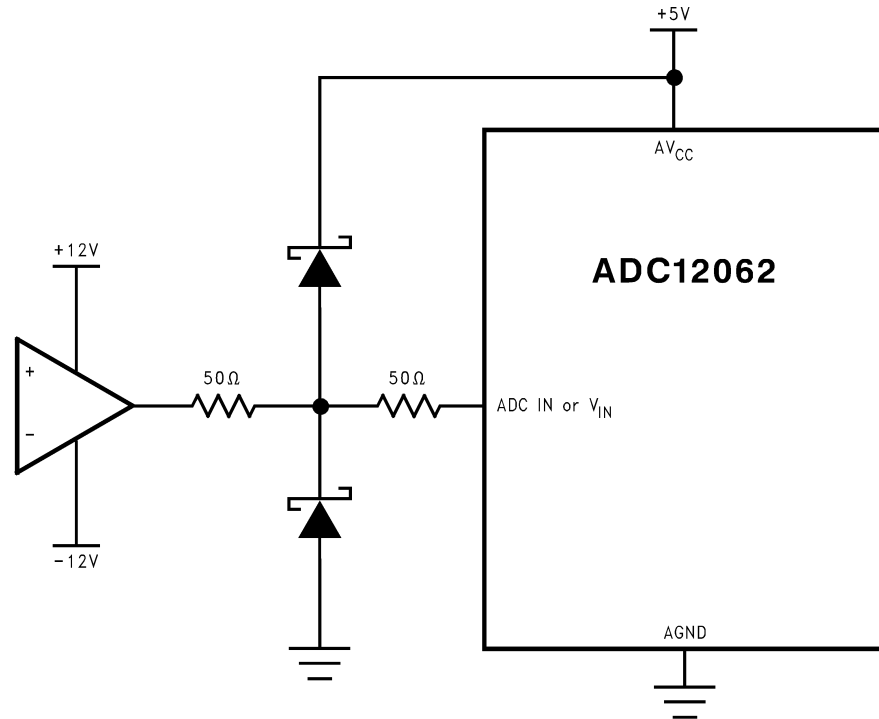
FIGURE 8. Buffering the Input with an LM6361 High Speed Op Amp

Another benefit of using a high speed buffer is improved THD performance when using the multiplexer of the ADC12062. The MUX on-resistance is somewhat non-linear over input voltage, causing the RC time constant formed by C_{IN} , R_{MUX} , and R_{SW} to vary depending on the input voltage. This results in increasing THD with increasing frequency. Inserting the buffer between the MUX OUT and the ADC IN terminals as shown in *Figure 8* will eliminate the loading on R_{MUX} , significantly reducing the THD of the multiplexed system.

Correct converter operation will be obtained for input voltages greater than $AGND - 50 \text{ mV}$ and less than $AV_{CC} +$

50 mV . Avoid driving the signal source more than 300 mV higher than AV_{CC} , or more than 300 mV below $AGND$. If an analog input pin is forced beyond these voltages, the current flowing through that pin should be limited to 25 mA or less to avoid permanent damage to the IC. The sum of all the overdrive currents into all pins must be less than 50 mA. When the input signal is expected to extend more than 300 mV beyond the power supply limits for any reason (unknown/uncontrollable input voltage range, power-on transients, fault conditions, etc.) some form of input protection, such as that shown in *Figure 9*, should be used.

Applications Information (Continued)



01149019

FIGURE 9. Input Protection

3.0 ANALOG MULTIPLEXER

The ADC12062 has an input multiplexer that is controlled by the logic level on pin S0 when EOC goes low, as shown in *Figure 1* and *Figure 2*. Multiplexer setup and hold times with respect to the S/H input can be determined by these two equations:

$$t_{MS} \text{ (wrt S/H)} = t_{MS} - t_{EOC} \text{ (min)} = 50 - 60 = -10 \text{ ns}$$

$$t_{MH} \text{ (wrt S/H)} = t_{MH} + t_{EOC} \text{ (max)} = 50 + 125 = 175 \text{ ns}$$

Note that $t_{MS} \text{ (wrt S/H)}$ is a negative number; this indicates that the data on S0 must become valid within 10 ns after S/H goes low in order to meet the setup time requirements. S0 must be valid for a length of

$$(t_{MH} + t_{EOC} \text{ (max)}) - (t_{MS} - t_{EOC} \text{ (min)}) = 185 \text{ ns.}$$

Table 1 shows how the input channels are assigned:

TABLE 1. ADC12062 Input Multiplexer Programming

| S0 | Channel |
|----|-----------|
| 0 | V_{IN1} |
| 1 | V_{IN2} |

The output of the multiplexer is available to the user via the MUX OUT pin. This output allows the user to perform addi-

tional signal processing, such as filtering or gain, before the signal is returned to the ADC IN input and digitized. If no additional signal processing is required, the MUX OUT pin should be tied directly to the ADC IN pin.

See Section 9.0 (APPLICATIONS) for a simple circuit that will alternate between the two inputs while converting at full speed.

4.0 REFERENCE INPUTS

In addition to the fully differential V_{REF+} and V_{REF-} reference inputs used on most National Semiconductor ADCs, the ADC12062 has two sense outputs for precision control of the ladder voltage. These sense inputs compensate for errors due to IR drops between the reference source and the ladder itself. The resistance of the reference ladder is typically 750Ω. The parasitic resistance (R_p) of the package leads, bond wires, PCB traces, etc. can easily be 0.5Ω to 1.0Ω or more. This may not be significant at 8-bit or 10-bit resolutions, but at 12 bits it can introduce voltage drops causing offset and gain errors as large as 6 LSBs.

The ADC12062 provides a means to eliminate this error by bringing out two additional pins that sense the exact voltage at the top and bottom of the ladder. With the addition of two op amps, the voltages on these internal nodes can be forced to the exact value desired, as shown in *Figure 10*.

Applications Information (Continued)

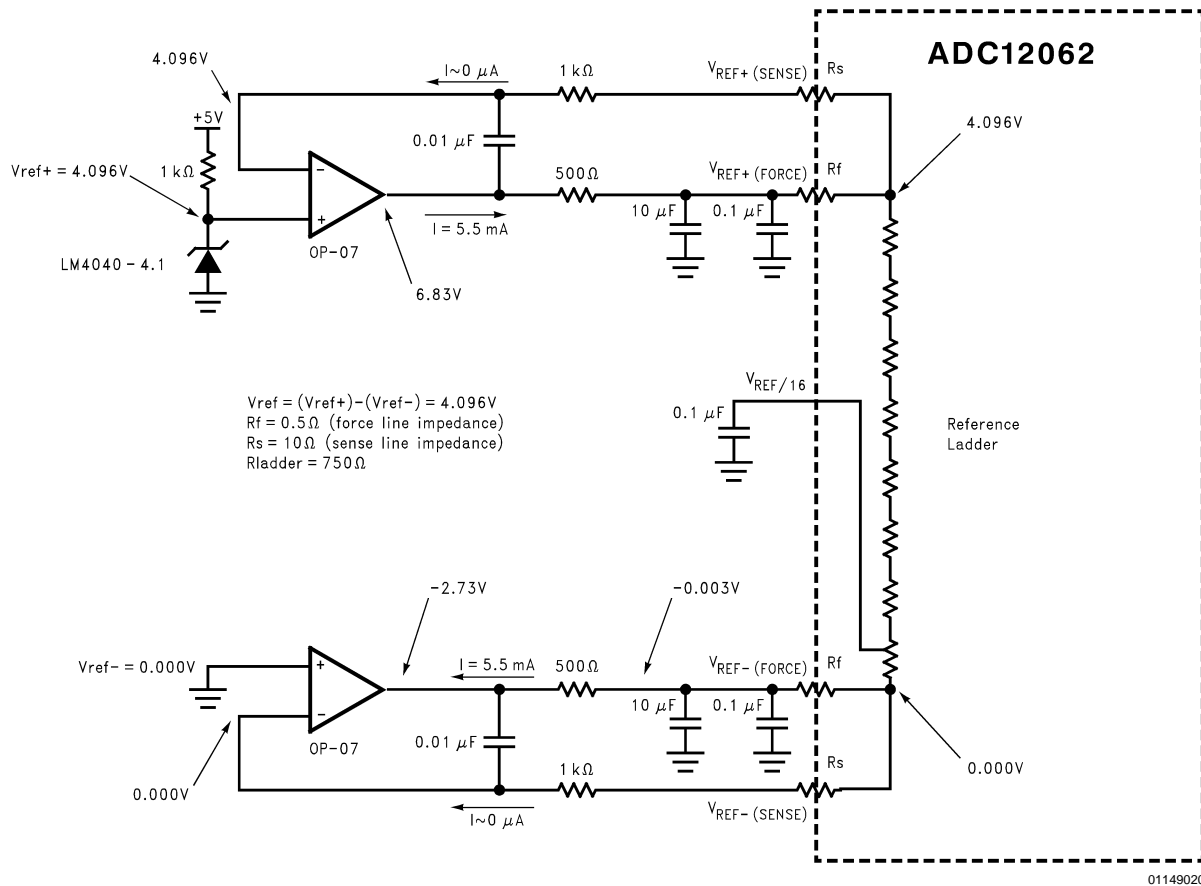


FIGURE 10. Reference Ladder Force and Sense Inputs

Since the current flowing through the SENSE lines is essentially zero, there is negligible voltage drop across R_S and the 1 k Ω resistor, so the voltage at the inverting input of the op amp accurately represents the voltage at the top (or bottom) of the ladder. The op amp drives the FORCE input and forces the voltage at the ends of the ladder to equal the voltage at the op amp's non-inverting input, plus or minus its input offset voltage. For this reason op amps with low V_{OS} , such as the LM627 or LM607, should be used for this application. When used in this configuration, the ADC12062 typically has less than 0.5 LSB of offset and gain error without any user adjustments.

The 0.1 μF and 10 μF capacitors on the force inputs provide high frequency decoupling of the reference ladder. The 500 Ω force resistors isolate the op amps from this large capacitive load. The 0.01 μF /1 k Ω network provides zero phase shift at high frequencies to ensure stability. Note that the op amp supplies in this example must be $\pm 10V$ to $\pm 15V$ to meet the input/output voltage range requirements of the LM627 and supply the sub-zero voltage to the $V_{REF- (FORCE)}$ pin. The $V_{REF/16}$ output should be by-passed to analog ground with a 0.1 μF ceramic capacitor.

The reference inputs are fully differential and define the zero to full-scale range of the input signal. They can be configured

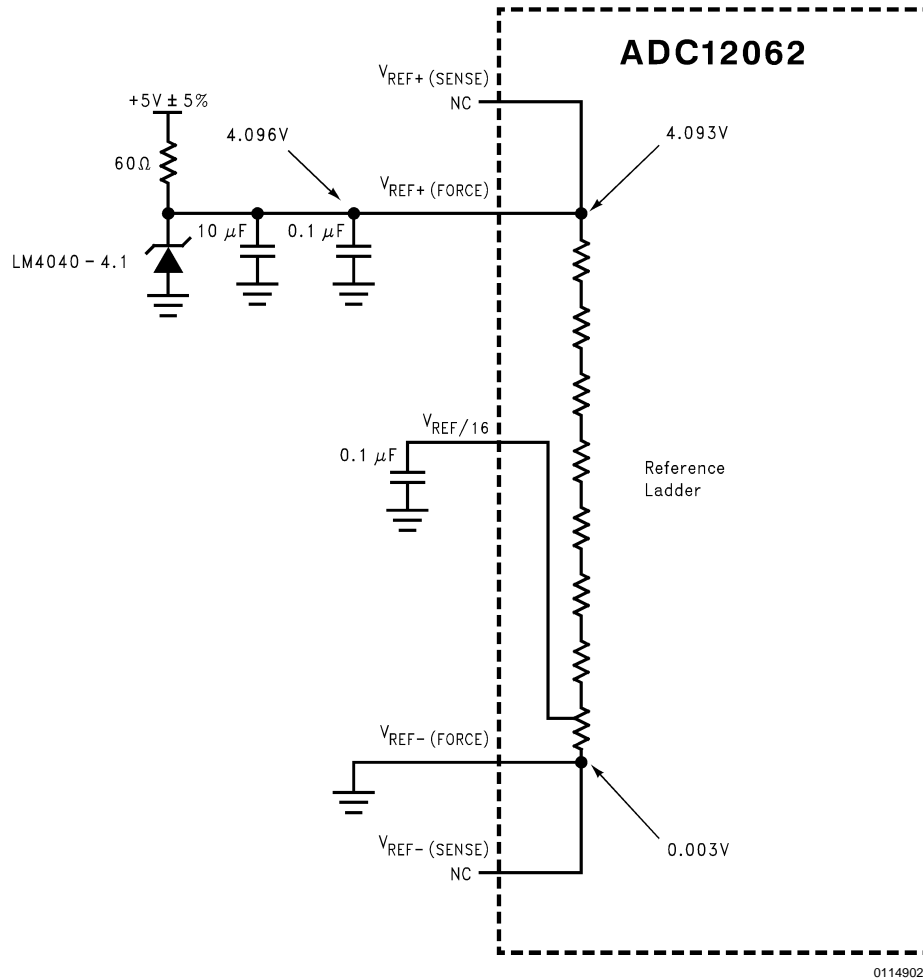
to span up to 5V ($V_{REF-} = 0V$, $V_{REF+} = 5V$), or they can be connected to different voltages (within the 0V to 5V limits) when other input spans are required. The ADC12062 is tested at $V_{REF- (SENSE)} = 0V$, $V_{REF+ (SENSE)} = 4.096V$. Reducing the reference voltage span to less than 4V increases the sensitivity (reduces the LSB size) of the converter; however noise performance degrades when lower reference voltages are used. A plot of dynamic performance vs reference voltage is given in the Typical Performance Characteristics section.

If the converter will be used in an application where DC accuracy is secondary to dynamic performance, then a simpler reference circuit may suffice. The circuit shown in *Figure 11* will introduce several LSBs of offset and gain error, but INL, DNL, and all dynamic specifications will be unaffected.

All bypass capacitors should be located as close to the ADC12062 as possible to minimize noise on the reference ladder. The $V_{REF/16}$ output should be bypassed to analog ground with a 0.1 μF ceramic capacitor.

The LM4040 shunt voltage reference is available with a 4.096V output voltage. With initial accuracies as low as $\pm 0.1\%$, it makes an excellent reference for the ADC12062.

Applications Information (Continued)

FIGURE 11. Using the V_{REF} Force Pins Only

5.0 POWER SUPPLY CONSIDERATIONS

The ADC12062 is designed to operate from a single +5V power supply. There are two analog supply pins (AV_{CC}) and one digital supply pin (DV_{CC}). These pins allow separate external bypass capacitors for the analog and digital portions of the circuit. To guarantee proper operation of the converter, all three supply pins should be connected to the same voltage source. In systems with separate analog and digital supplies, the converter should be powered from the analog supply.

The ground pins are AGND (analog ground), DGND1 (digital input ground), and DGND2 (digital output ground). These pins allow for three separate ground planes for these sections of the chip. Isolating the analog section from the two digital sections reduces digital interference in the analog circuitry, improving the dynamic performance of the converter. Separating the digital outputs from the digital inputs (particularly the S/\bar{H} input) reduces the possibility of ground bounce from the 12 data lines causing jitter on the S/\bar{H} input. The analog ground plane should be connected to the Digital2 ground plane at the ground return for the power supply. The Digital1 ground plane should be tied to the Digital2 ground plane at the DGND1 and DGND2 pins.

Both AV_{CC} pins should be bypassed to the AGND ground plane with 0.1 μF ceramic capacitors. One of the two AV_{CC} pins should also be bypassed with a 10 μF tantalum capacitor. DV_{CC} should be bypassed to the DGND2 ground plane with a 0.1 μF capacitor in parallel with a 10 μF tantalum capacitor.

6.0 LAYOUT AND GROUNDING

In order to ensure fast, accurate conversions from the ADC12062, it is necessary to use appropriate circuit board layout techniques. Separate analog and digital ground planes are required to meet datasheet AC and DC limits. The analog ground plane should be low-impedance and free of noise from other parts of the system.

All bypass capacitors should be located as close to the converter as possible and should connect to the converter and to ground with short traces. The analog input should be isolated from noisy signal traces to avoid having spurious signals couple to the input. Any external component (e.g., a filter capacitor) connected across the converter's input should be connected to a very clean analog ground return point. Grounding the component at the wrong point will result in increased noise and reduced conversion accuracy.

Applications Information (Continued)

Figure 12 gives an example of a suitable layout, including power supply routing, ground plane separation, and bypass capacitor placement. All analog circuitry (input amplifiers, filters, reference components, etc.) should be placed on the analog ground plane. All digital circuitry and I/O lines (excluding the S/H input) should use the digital2 ground plane as ground. The digital1 ground plane should only be used for the S/H signal generation.

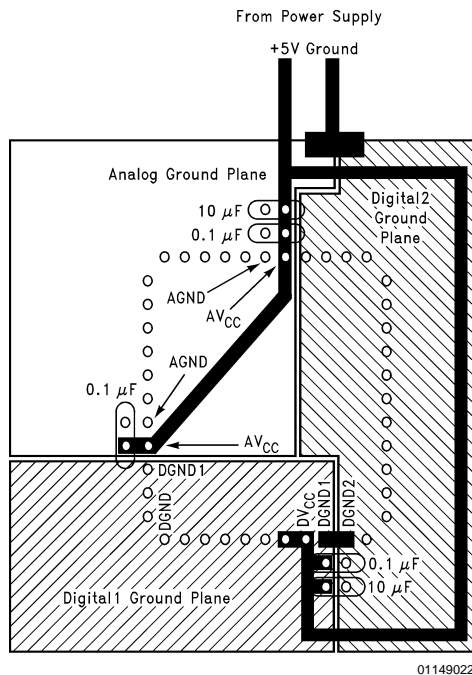


FIGURE 12. PC Board Layout

7.0 DYNAMIC PERFORMANCE

The ADC12062 is AC tested and its dynamic performance is guaranteed. In order to meet these specifications, the clock source driving the S/H input must be free of jitter. For the best AC performance, a crystal oscillator is recommended. For operation at or near the ADC12062's 1 MHz maximum sampling rate, a 1 MHz squarewave will provide a good signal for the S/H input. As long as the duty cycle is near 50%, the waveform will be low for about 500 ns, which is within the 550 ns limit. When operating the ADC12062 at a sample rate of 910 kHz or below, the pulse width of the S/H signal must be smaller than half the sample period.

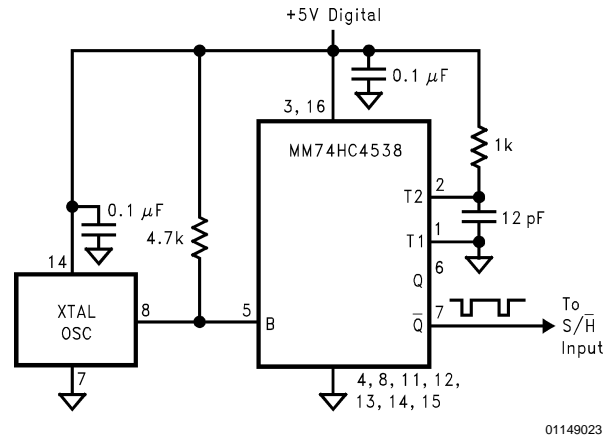


FIGURE 13. Crystal Clock Source

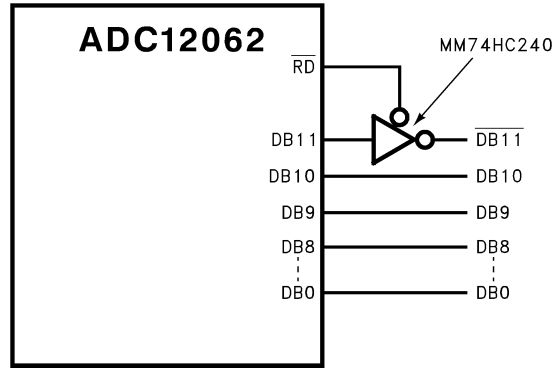
Figure 13 is an example of a low jitter S/H pulse generator that can be used with the ADC12062 and allow operation at sampling rates from DC to 1 MHz. A standard 4-pin DIP crystal oscillator provides a stable 1 MHz squarewave. Since most DIP oscillators have TTL outputs, a 4.7k pullup resistor is used to raise the output high voltage to CMOS input levels. The output is fed to the trigger input (falling edge) of an MM74HC4538 one-shot. The 1k resistor and 12 pF capacitor set the pulse length to approximately 100 ns. The S/H pulse stream for the converter appears on the Q output of the HC4538. This is the S/H clock generator used on the ADC12062EVAL evaluation board. For lower power, a CMOS inverter-based crystal oscillator can be used in place of the DIP crystal oscillator. See Application Note AN-340 in the National Semiconductor CMOS Logic Databook for more information on CMOS crystal oscillators.

8.0 COMMON APPLICATION PITFALLS

Driving inputs (analog or digital) outside power supply rails. The Absolute Maximum Ratings state that all inputs must be between $GND - 300\text{ mV}$ and $V_{CC} + 300\text{ mV}$. This rule is most often broken when the power supply to the converter is turned off, but other devices connected to it (op amps, microprocessors) still have power. Note that if there is no power to the converter, $DGND = AGND = DV_{CC} = AV_{CC} = 0V$, so all inputs should be within $\pm 300\text{ mV}$ of AGND and DGND.

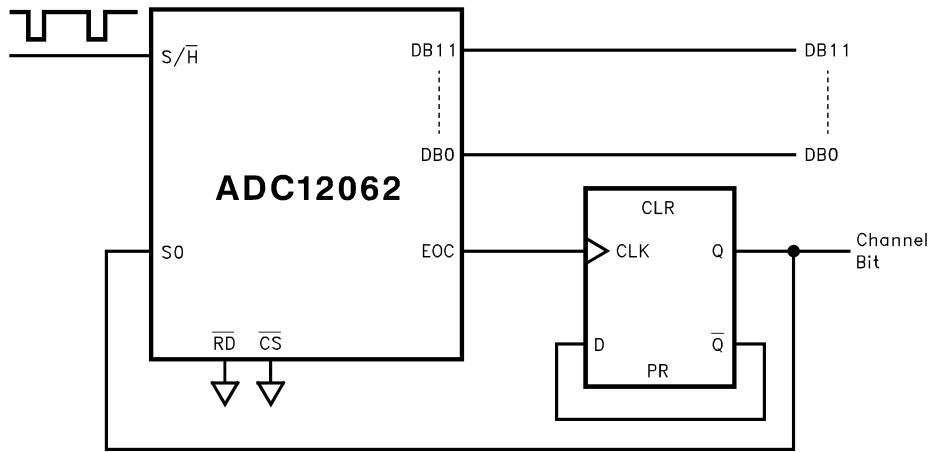
Driving a high capacitance digital data bus. The more capacitance the data bus has to charge for each conversion, the more instantaneous digital current required from DV_{CC} and $DGND$. These large current spikes can couple back to the analog section, decreasing the SNR of the converter. While adequate supply bypassing and separate analog and digital ground planes will reduce this problem, buffering the digital data outputs (with a pair of MM74HC541s, for example) may be necessary if the converter must drive a heavily loaded databus.

2's Compliment Output



01149024

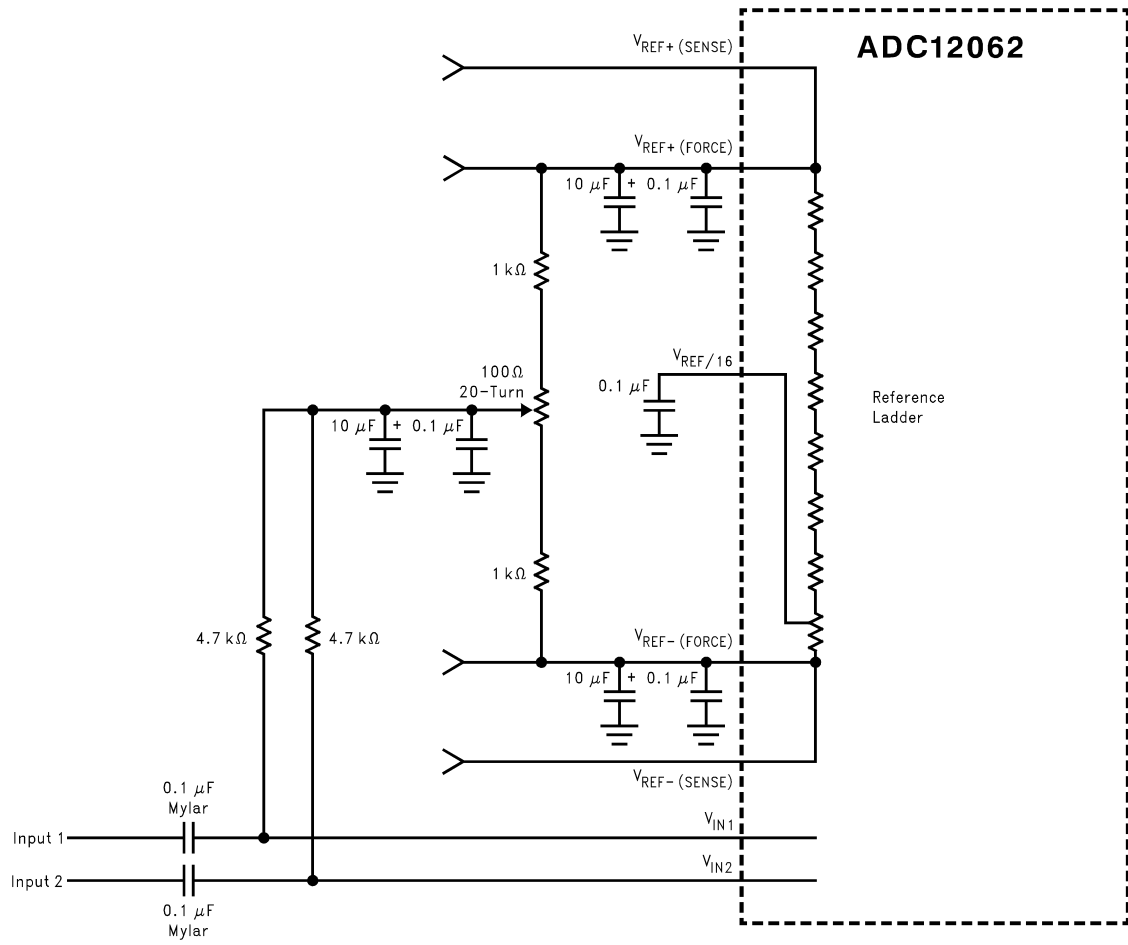
Ping-Ponging between V_{IN1} and V_{IN2}



01149025

Applications Information (Continued)

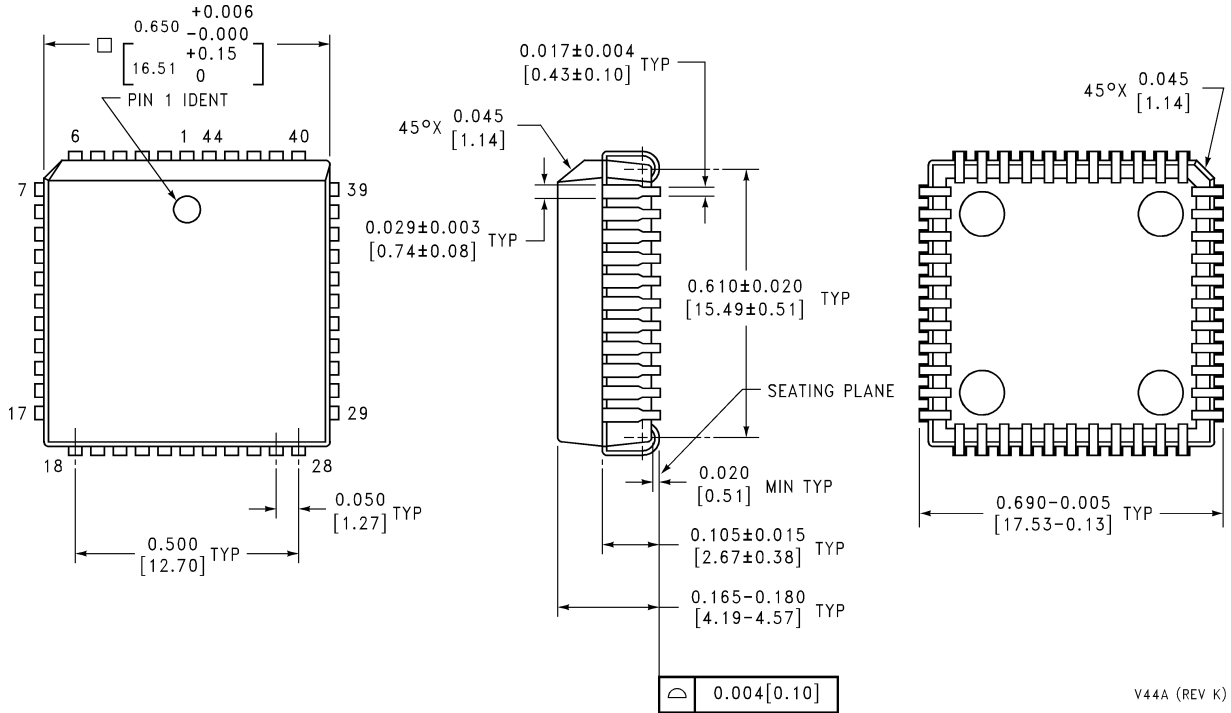
AC Coupling Bipolar Inputs



01149026

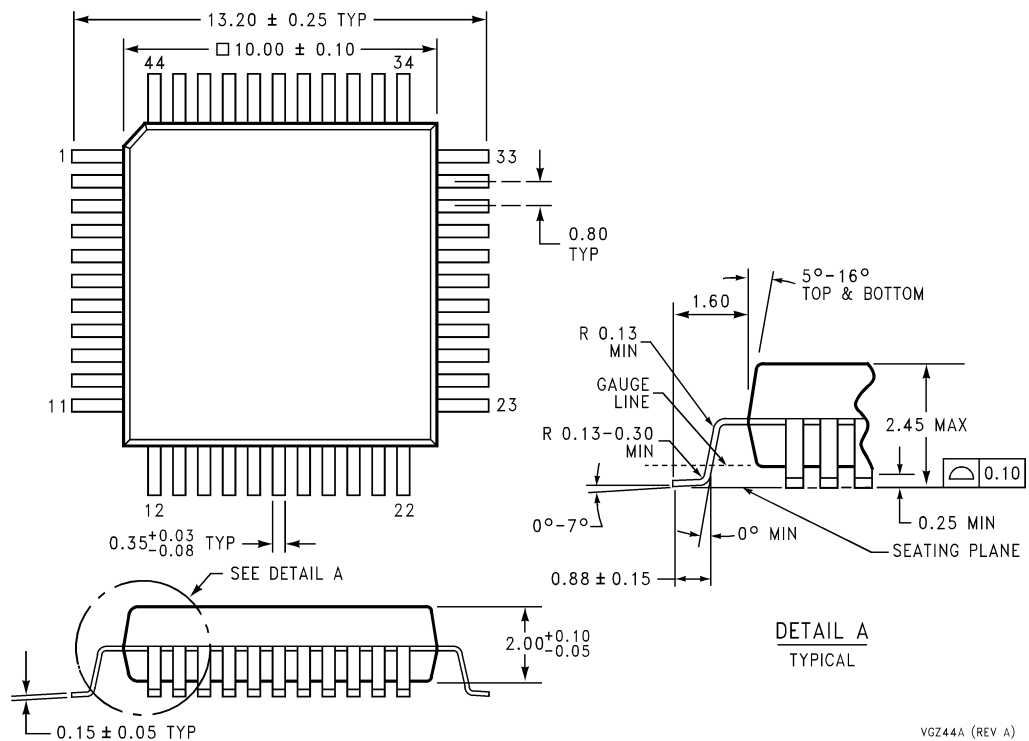
Physical Dimensions inches (millimeters)

unless otherwise noted



V44A (REV K)

Plastic Leaded Chip Carrier (V)
Order Number ADC12062CIV
NS Package Number V44A



VGZ44A (REV A)

Plastic Quad Flat Package (VF)
Order Number ADC12062BIVF, ADC12062CIVF
NS Package Number VGZ44A

DIMENSIONS IN MILLIMETERS

Notes

LIFE SUPPORT POLICY

NATIONAL'S PRODUCTS ARE NOT AUTHORIZED FOR USE AS CRITICAL COMPONENTS IN LIFE SUPPORT DEVICES OR SYSTEMS WITHOUT THE EXPRESS WRITTEN APPROVAL OF THE PRESIDENT AND GENERAL COUNSEL OF NATIONAL SEMICONDUCTOR CORPORATION. As used herein:

1. Life support devices or systems are devices or systems which, (a) are intended for surgical implant into the body, or (b) support or sustain life, and whose failure to perform when properly used in accordance with instructions for use provided in the labeling, can be reasonably expected to result in a significant injury to the user.
2. A critical component is any component of a life support device or system whose failure to perform can be reasonably expected to cause the failure of the life support device or system, or to affect its safety or effectiveness.



National Semiconductor Corporation
Americas
Email: support@nsc.com

www.national.com

National Semiconductor Europe

Fax: +49 (0) 180-530 85 86
Email: europe.support@nsc.com
Deutsch Tel: +49 (0) 69 9508 6208
English Tel: +44 (0) 870 24 0 2171
Français Tel: +33 (0) 1 41 91 8790

National Semiconductor Asia Pacific Customer Response Group

Tel: 65-2544466
Fax: 65-2504466
Email: ap.support@nsc.com

National Semiconductor Japan Ltd.

Tel: 81-3-5639-7560
Fax: 81-3-5639-7507