

VIDEO GENLOCK PLL
MK9173-01/-15
Description

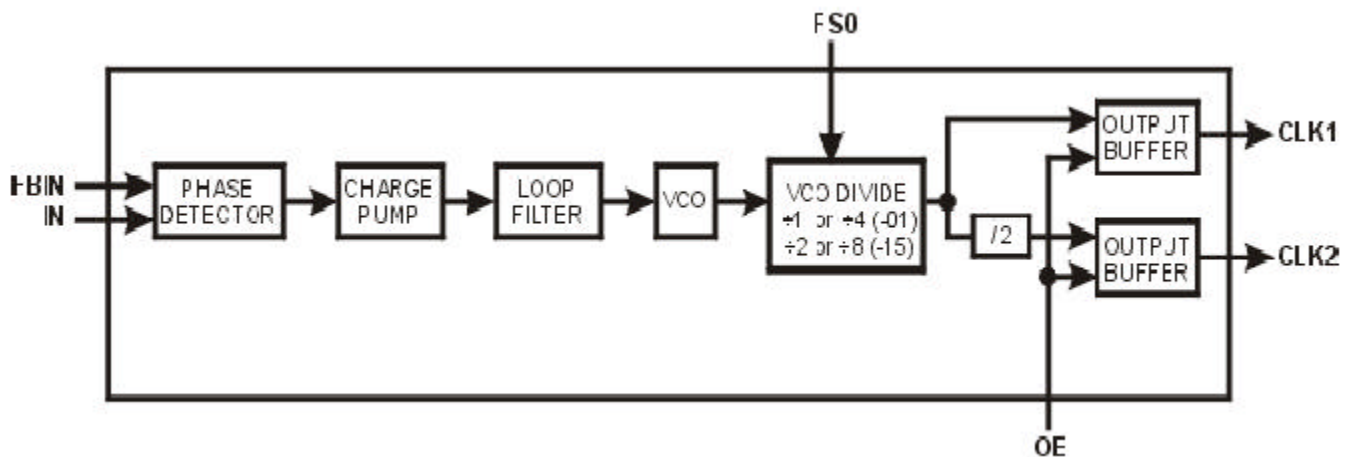
The MK9173-01/-15 provide the analog PLL circuit blocks to implement a frequency multiplier. Because the device is configured to use an external divider in the PLL clock feedback path, a large divider can be used to result in a large frequency multiplication ratio. This is useful when using a low frequency input clock to generate a high frequency output clock. The MK9173-01/-15 contains a phase detector, charge pump, loop filter, and voltage-controlled oscillator (VCO). The ICS674-01 can be used as the external feedback divider.

A common application of the MK9173-01/-15 is the implementation of a video genlock circuit. Because of this, the MK9173-01/-15 inputs operate on the negative-going clock edge.

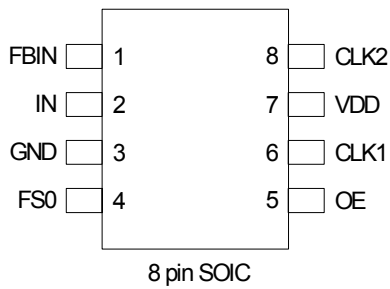
The MK9173-01/-15 is pin and function compatible to the AV9173-01/15.

Features

- Phase-detector/VCO circuit block
- Ideal for genlock system
- Reference clock range 12 kHz to 1 MHz for full output clock range
- Output clock range of 1.25 to 75 MHz (-01), and 0.625 to 37.5 MHz (-15). See "Allowable Input Frequency to Output Frequency" table for conditions
- On-chip loop filter
- Single 5 V power supply
- Low power CMOS technology
- 8-pin SOIC package
- For new video genlock applications, please refer to the ICS673-01, ICS1522 or ICS1523.

Block Diagram


Pin Assignment



Pin Descriptions

Pin Number	Pin Name	Pin Type	Pin Description
1	FBIN	Input	Feedback input.
2	IN	Input	Input for reference sync pulse.
3	GND	Power	Ground.
4	FS0	Input	Frequency select 0 input.
5	OE	Input	Output enable.
6	CLK1	Output	Clock output 1.
7	VDD	Power	Power supply (+5 V).
8	CLK2	Output	Clock output 2.

Allowable Input Frequency to Output Frequency for MK9173-01 (in MHz) (MK9173-15 outputs run at exactly half of the MK9173-01 frequencies)

f_{IN} (kHz)	f_{OUT} for FS = 0		f_{OUT} for FS = 1	
	CLK1 Output	CLK2 Output	CLK1 Output	CLK2 Output
$12 \leq f_{IN} \leq 14$ kHz	44.0 to 75	22.0 to 37.5	11.0 to 18.75	5.5 to 9.375
$14 < f_{IN} \leq 17$ kHz	30.0 to 75	15.0 to 37.5	7.5 to 18.75	3.75 to 9.375
$17 < f_{IN} \leq 30$ kHz	25.0 to 75	12.5 to 37.5	6.25 to 18.75	3.125 to 9.375
$30 < f_{IN} \leq 35$ kHz	15.0 to 75	7.5 to 37.5	3.75 to 18.75	1.875 to 9.375
$35 < f_{IN} \leq 1000$ kHz	10.0 to 75	5.0 to 37.5	2.5 to 18.75	1.25 to 9.375

Using the MK9173-01/-15 in Genlock Applications

Most video sources, such as video cameras, are asynchronous, free-running devices. To digitize video or synchronize one video source to another free-running reference video source, a video “genlock” (generator lock) circuit is required. The MK9173-01/-15 integrate the analog blocks which make the task much easier.

In the complete video genlock circuit, the primary function of the MK9173-01/-15 is to provide the analog circuitry required to generate the video dot clock within a PLL. This application is illustrated in Figure 1. The input reference signal for this circuit is the horizontal synchronization (H-SYNC) signal. If a composite video reference source is being used, the h-sync pulses must be separated from the composite signal. A video sync separator circuit, such as the National Semiconductor LM1881, can be used for this purpose.

The clock feedback divider shown in Figure 1 is a digital divider used within the PLL to multiply the reference frequency. Its divide ratio establishes how many video dot clock cycles occur per h-sync pulse. For example, if 880 pixel clocks are desired per h-sync pulse, then the divider ratio is set to 880. Hence, together the h-sync frequency and external divider ratio establish the dot clock frequency:

$$f_{OUT} = f_{IN} \times N \text{ where } N \text{ is external divide ratio}$$

Both input pins IN and FBIN respond only to negative-going clock edges of the input signal. The H-SYNC signal must be constant frequency in the 12 kHz to 1 MHz range and stable (low clock jitter) for creation of a stable output clock.

The output hook-ups of the MK9173-01/-15 are dictated by the desired dot clock frequency. The primary consideration is the internal VCO which operates over a frequency range of 10 MHz to 75 MHz. Because of the selectable VCO output divider and the additional divider on output CLK2, four distinct output frequency ranges can be achieved. The following Table lists these ranges and the corresponding device configuration.

FS0 State	Output Used	Frequency /Range MK9173-01	Frequency /Range MK9173-15
0	CLK1	10 to 75 MHz	5 to 37.5 MHz
0	CLK2	5 to 37.5 MHz	2.5 to 18.75 MHz
1	CLK1	2.5 to 18.75 MHz	1.25 to 9.375 MHz
1	CLK2	1.25 to 9.375 MHz	0.625 to 4.6875 MHz

Note that both outputs, CLK1 and CLK2, are available during operation even though only one is fed back via the external clock divider.

Pin 5, OE, tristates both CLK1 and CLK2 upon logic low input. This feature can be used to revert dot clock control to the system clock when not in genlock mode (hence, when in genlock mode the system dot clock must be tristated).

When unused, inputs FS0 and OE must be tied to either GND (logic low) or VDD (logic high).

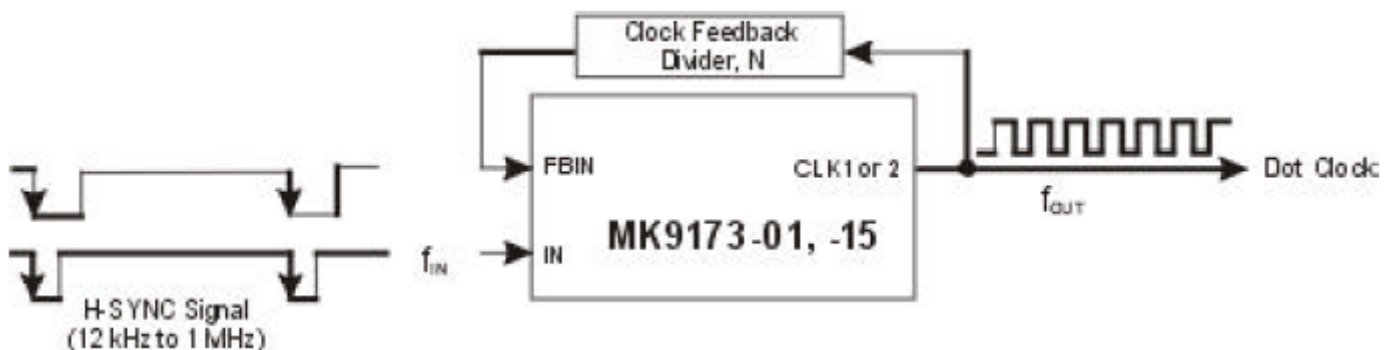


Figure 1: Typical Application of MK9173-01/-15 in a Video Genlock System

Absolute Maximum Ratings

Stresses above the ratings listed below can cause permanent damage to the MK9173-01/-15. These ratings, which are standard values for IDT commercially rated parts, are stress ratings only. Functional operation of the device at these or any other conditions above those indicated in the operational sections of the specifications is not implied. Exposure to absolute maximum rating conditions for extended periods can affect product reliability. Electrical parameters are guaranteed only over the recommended operating temperature range.

Item	Rating
Supply Voltage, VDD	7 V
Storage Temperature	-65 to +150°C
Voltage on I/O Pins referenced to GND	GND - 0.5 V to VDD + 0.5 V
Junction Temperature	125°C
Soldering Temperature	260°C
Power Dissipation	0.5 Watts

Recommended Operation Conditions

Parameter	Min.	Typ.	Max.	Units
Operating Temperature under Bias	-0		+70	°C
Power Supply Voltage (measured with respect to GND)	+4.75	+5 V	+5.25	V

DC Electrical Characteristics

Unless stated otherwise, VDD = 5 V ±5%, Ambient Temperature 0 to +70°C

Parameter	Symbol	Conditions	Min.	Typ.	Max.	Units
Operating Supply Current	IDD	No load, 50 MHz		20	50	mA
Input Low Voltage	V _{IH}	VDD = 5 V			0.8	V
Input High Voltage	V _{IL}	VDD = 5 V	2.0			V
Input Low Current	I _{IL}	VIN = 0V	-5			μA
Input High Current	I _{IH}	VIN = VDD	-5		5	μA
Output Low Voltage	V _{OL}	I _{OL} = 8 mA			0.4	V
Output High Voltage ¹	V _{OH1}	I _{OH} = -1 mA	VDD-0.4			V
Output High Voltage ¹	V _{OH2}	I _{OH} = -4 mA	VDD-0.8			V
Output High Voltage ¹	V _{OH3}	I _{OH} = -8 mA	2.4			V

Notes:

- Duty cycle measured at 1.4 V.
- Input Reference Frequency = 25 kHz, Output Frequency = 25 MHz. Jitter measured between adjacent vertical pixels.
- CLK1 frequency applies for FS = 0. For FS = 1 condition, divide allowable CLK1 range by the factor of 4.

AC Electrical Characteristics

Unless stated otherwise, VDD = 5 V ±5%, Ambient Temperature 0 to +70° C

Parameter	Symbol	Conditions	Min.	Typ.	Max.	Units
Output Clock Rise Time ¹	ICLK _r				10	ns
Output Clock Fall Time ¹	ICLK _f				10	ns
Output Rise Time ¹	t _{r1}	15 pF load, 20% to 80%		0.6	1.5	ns
Output Rise Time ¹	t _{r2}	15 pF load, 20% to 80%		1.4	3.0	ns
Output Fall Time ¹	t _{f1}	15 pF load, 80% to 20%		0.8	2.0	ns
Output Fall Time ¹	t _{f2}	15 pF load, 80% to 20%		0.8	2.0	ns
Output Duty Cycle ¹		15 pF load	40	47	55	%
One-Sigma Jitter ^{1, 5}	T _{1S1}	CLK1 frequency ³ , 25 MHz		120	250	ps
Jitter, Absolute ^{1, 5}	T _{ABS1}	CLK1 frequency ³ , 25 MHz	-400	±250	400	ps
One-Sigma Jitter ^{1, 5}	T _{1S2}	CLK1 frequency < 25 MHz			1	%
Jitter, Absolute ^{1, 5}	T _{ABS2}	CLK1 frequency < 25 MHz			2	%
Line-to-Line Jitter ¹ , Absolute ²	T _{LABS}			±4		ns
Input Frequency ¹ , IN or FBIN	f _{IN}	see allowable fi below	12		1000	kHz

Parameter	Symbol	Conditions	Min.	Typ.	Max.	Units
CLK1 Frequency, -01 ^{1, 3, 4}	f_{CLK1}	$12 \leq f_{IN} \leq 14$ kHz	44		75	MHz
		$14 < f_{IN} \leq 17$ kHz	30		75	
		$17 < f_{IN} \leq 30$ kHz	25		75	
		$30 < f_{IN} \leq 35$ kHz	15		75	
		$35 < f_{IN} \leq 1000$ kHz	10		75	
CLK1 Frequency, -15 ^{1, 3, 4}	f_{CLK1}	$12 \leq f_{IN} \leq 14$ kHz	22		37.5	MHz
		$14 < f_{IN} \leq 17$ kHz	15		37.5	
		$17 < f_{IN} \leq 30$ kHz	12.5		37.5	
		$30 < f_{IN} \leq 35$ kHz	7.5		37.5	
		$35 < f_{IN} \leq 1000$ kHz	5		37.5	

Notes:

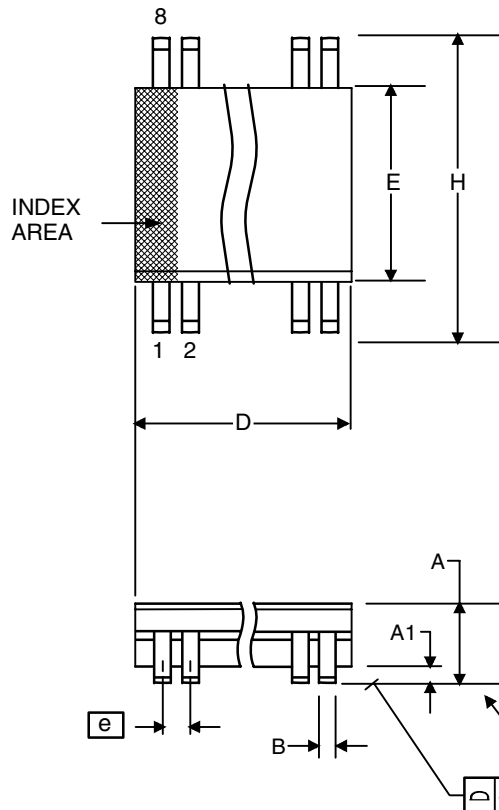
- Parameter is guaranteed by design and characterization. Not 100% tested in production.
- Input Reference Frequency = 25 kHz, Output Frequency = 25 MHz. Jitter measured between adjacent vertical pixels.
- CLK1 frequency applies for FS = 0. For FS = 1 condition, divide allowable CLK1 range by the factor of 4.
- An Application Brief (AB01) documents the operation of the AV9173 for low input frequencies. This provides guidelines for usable output frequencies and feedback ratios required to use inputs below 25 kHz. By following these guidelines, the MK9173 will operate down to 12 kHz inputs across temperature, voltage and lot-to-lot variation.
- Jitter values are measured at frequencies ≥ 25 MHz for MK9173-01, for MK9173-15, jitter is measured at frequency ≥ 12.5 MHz.

Thermal Characteristics

Parameter	Symbol	Conditions	Min.	Typ.	Max.	Units
Thermal Resistance Junction to Ambient	θ_{JA}	Still air		150		$^{\circ}\text{C/W}$
	θ_{JA}	1 m/s air flow		140		$^{\circ}\text{C/W}$
	θ_{JA}	3 m/s air flow		120		$^{\circ}\text{C/W}$
Thermal Resistance Junction to Case	θ_{JC}			40		$^{\circ}\text{C/W}$

Package Outline and Package Dimensions (8-pin SOIC, 150 Mil. Body)

Package dimensions are kept current with JEDEC Publication No. 95



Symbol	Millimeters		Inches	
	Min	Max	Min	Max
A	1.35	1.75	.0532	.0688
A1	0.10	0.25	.0040	.0098
B	0.33	0.51	.013	.020
C	0.19	0.25	.0075	.0098
D	4.80	5.00	.1890	.1968
E	3.80	4.00	.1497	.1574
e	1.27 BASIC		0.050 BASIC	
H	5.80	6.20	.2284	.2440
h	0.25	0.50	.010	.020
L	0.40	1.27	.016	.050
α	0°	8°	0°	8°

Ordering Information

Part / Order Number	Marking	Shipping Packaging	Package	Temperature
MK9173-01CS08	MK73-1	Tubes	8-pin SOIC	0 to +70° C
MK9173-01CS08T	MK73-1	Tape and Reel	8-pin SOIC	0 to +70° C
MK9173-15CS08 (see note below)	MK73-15	Tubes	8-pin SOIC	0 to +70° C
MK9173-15CS08T (see note below)	MK73-15	Tape and Reel	8-pin SOIC	0 to +70° C
AV9173-15CS08 (see note below)	AV73-15	Tubes	8-pin SOIC	0 to +70° C
AV9173-15CS08T (see note below)	AV73-15	Tape and Reel	8-pin SOIC	0 to +70° C

Note: the AV9173-15CS08 and the MK9173-15CS08 use the same die. Both part numbers are active and orderable.

Parts that are ordered with a "LF" suffix to the part number are the Pb-Free configuration and are RoHS compliant.

While the information presented herein has been checked for both accuracy and reliability, Integrated Device Technology (IDT) assumes no responsibility for either its use or for the infringement of any patents or other rights of third parties, which would result from its use. No other circuits, patents, or licenses are implied. This product is intended for use in normal commercial applications. Any other applications such as those requiring extended temperature range, high reliability, or other extraordinary environmental requirements are not recommended without additional processing by IDT. IDT reserves the right to change any circuitry or specifications without notice. IDT does not authorize or warrant any IDT product for use in life support devices or critical medical instruments.

Revision History

Rev.	Originator	Date	Description of Change
C		12/21/06	Eliminated "Using the MK9173 to replace the AV9173" section; updated template.

Innovate with IDT and accelerate your future networks. Contact:

www.IDT.com

For Sales

800-345-7015
408-284-8200
Fax: 408-284-2775

For Tech Support

408-284-4522
clockhelp@idt.com

Corporate Headquarters

Integrated Device Technology, Inc.
www.idt.com



www.IDT.com