


General Description

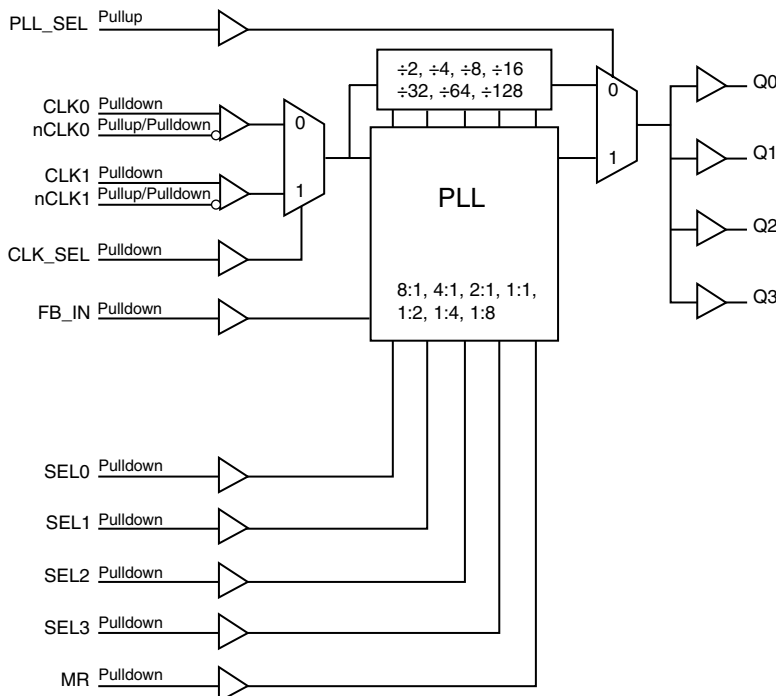


The ICS87004 is a highly versatile 1:4 Differential-to-LVCMOS/LVTTL Clock Generator and a member of the HiPerClockS® family of High Performance Clock Solutions from IDT. The ICS87004 has two selectable clock inputs. The CLK0, nCLK0 and CLK1, nCLK1 pairs can accept most standard differential input levels. Internal bias on the nCLK0 and nCLK1 inputs allows the CLK0 and CLK1 inputs to accept LVCMOS/LVTTL. The ICS87004 has a fully integrated PLL and can be configured as zero delay buffer, multiplier or divider and has an input and output frequency range of 15.625MHz to 250MHz. The reference divider, feedback divider and output divider are each programmable, thereby allowing for the following output-to-input frequency ratios: 8:1, 4:1, 2:1, 1:1, 1:2, 1:4, 1:8. The external feedback allows the device to achieve “zero delay” between the input clock and the output clocks. The PLL_SEL pin can be used to bypass the PLL for system test and debug purposes. In bypass mode, the reference clock is routed around the PLL and into the internal output dividers.

Features

- Four LVCMOS/LVTTL outputs, 7Ω typical output impedance
- Selectable CLK0/nCLK0 or CLK1/nCLK1 clock inputs
- CLKx/nCLKx pairs can accept the following differential input levels: LVPECL, LVDS, LVHSTL, HCSSL, SSTL
- Internal bias on nCLK0 and nCLK1 to support LVCMOS/LVTTL levels on CLK0 and CLK1 inputs
- Output frequency range: 15.625MHz to 250MHz
- Input frequency range: 15.625MHz to 250MHz
- VCO range: 250MHz to 500MHz
- External feedback for “zero delay” clock regeneration with configurable frequencies
- Programmable dividers allow for the following output-to-input frequency ratios: 8:1, 4:1, 2:1, 1:1, 1:2, 1:4, 1:8
- Fully integrated PLL
- Cycle-to-cycle jitter: 45ps (maximum)
- Output skew: 50ps (maximum)
- Static phase offset: 50ps ± 125ps (3.3V ± 5%), CLK0/nCLK0
- Full 3.3V or 2.5V output operating supply
- 5V tolerant inputs
- 0°C to 70°C ambient operating temperature
- Available in both standard (RoHS 5) and lead-free (RoHS 6) packages

Block Diagram



Pin Assignment

| | | | |
|---------|----|----|---------|
| GND | 1 | 24 | Q1 |
| Q0 | 2 | 23 | VDDO |
| VDDO | 3 | 22 | Q2 |
| SEL0 | 4 | 21 | GND |
| SEL1 | 5 | 20 | Q3 |
| SEL2 | 6 | 19 | VDDO |
| SEL3 | 7 | 18 | MR |
| CLK_SEL | 8 | 17 | FB_IN |
| VDD | 9 | 16 | PLL_SEL |
| CLK0 | 10 | 15 | CLK1 |
| nCLK0 | 11 | 14 | nCLK1 |
| GND | 12 | 13 | VDDA |

ICS87004

24-Lead TSSOP

**7.8mm x 4.4mm x 0.925mm package body
G Package
Top View**

Table 1. Pin Descriptions

| Number | Name | Type | | Description |
|------------------|---------------------------|--------|---------------------|--|
| 1, 12, 21 | GND | Power | | Power supply ground. |
| 2, 20, 22, 24 | Q0, Q3, Q2, Q1 | Output | | Single-ended clock outputs. 7Ω typical output impedance. LVCMOS/LVTTL interface levels. |
| 3, 19, 23 | V _{DDO} | Power | | Output supply pins. |
| 4, 5, 6, 7 | SEL0, SEL1, SEL2, SEL3 | Input | Pulldown | Determines output divider values in Table 3. LVCMOS / LVTTL interface levels. |
| 8 | CLK_SEL | Input | Pulldown | Clock select input. When HIGH, selects differential CLK1, nCLK1. When LOW, selects differential CLK0, nCLK0. LVCMOS/LVTTL interface levels. |
| 9 | V _{DD} | Power | | Core supply pin. |
| 10 | CLK0 | Input | Pulldown | Non-inverting differential clock input. |
| 11 | nCLK0 | Input | Pullup/ Pulldown | Inverting differential clock input. V _{DD} /2 default when left floating. |
| 13 | V _{DDA} | Power | | Analog supply pin. |
| 14 | nCLK1 | Input | Pullup/ Pulldown | Inverting differential clock input. V _{DD} /2 default when left floating. |
| 15 | CLK1 | Input | Pulldown | Non-inverting differential clock input. |
| 16 | PLL_SEL | Input | Pullup | PLL select. Selects between the PLL and reference clock as the input to the dividers. When LOW, selects the reference clock (PLL Bypass). When HIGH, selects PLL (PLL Enabled). LVCMOS/LVTTL interface levels. |
| 17 | FB_IN | Input | Pulldown | Feedback input to phase detector for regenerating clocks with "Zero Delay." Connect to one of the outputs. LVCMOS/LVTTL interface levels. |
| 18 | MR | Input | Pulldown | Active HIGH Master Reset. When logic HIGH, the internal dividers are reset causing the outputs to go low. When logic LOW, the internal dividers and the outputs are enabled. LVCMOS / LVTTL interface levels. |

NOTE: Pullup and Pulldown refer to internal input resistors. See Table 2, Pin Characteristics, for typical values.

Table 2. Pin Characteristics

| Symbol | Parameter | Test Conditions | Minimum | Typical | Maximum | Units |
|-----------------------|--|---|---------|---------|---------|-------|
| C _{IN} | Input Capacitance | | | 4 | | pF |
| R _{PULLUP} | Input Pullup Resistor | | | 51 | | kΩ |
| R _{PULLDOWN} | Input Pulldown Resistor | | | 51 | | kΩ |
| C _{PD} | Power Dissipation Capacitance (per output) | V _{DD} , V _{DDO} = 3.465V | | | 23 | pF |
| | | V _{DD} , V _{DDO} = 2.625V | | | 17 | pF |
| R _{OUT} | Output Impedance | | 5 | 7 | 12 | Ω |

Function Tables

Table 3A. PLL Enable Function Table

| Inputs | | | | | Outputs PLL_SEL = 1 PLL Enable Mode |
|--------|------|------|------|---------------------------------|---|
| SEL3 | SEL2 | SEL1 | SEL0 | Reference Frequency Range (MHz) | Q[0:3] |
| 0 | 0 | 0 | 0 | 125 - 250 | ÷1 |
| 0 | 0 | 0 | 1 | 62.5 - 125 | ÷1 |
| 0 | 0 | 1 | 0 | 31.25 - 62.5 | ÷1 |
| 0 | 0 | 1 | 1 | 15.625 - 31.25 | ÷1 |
| 0 | 1 | 0 | 0 | 125 - 250 | ÷2 |
| 0 | 1 | 0 | 1 | 62.5 - 125 | ÷2 |
| 0 | 1 | 1 | 0 | 31.25 - 62.5 | ÷2 |
| 0 | 1 | 1 | 1 | 125 - 250 | ÷4 |
| 1 | 0 | 0 | 0 | 62.5 - 125 | ÷4 |
| 1 | 0 | 0 | 1 | 125 - 250 | ÷8 |
| 1 | 0 | 1 | 0 | 62.5 - 125 | x2 |
| 1 | 0 | 1 | 1 | 31.25 - 62.5 | x2 |
| 1 | 1 | 0 | 0 | 15.625 - 31.25 | x2 |
| 1 | 1 | 0 | 1 | 31.25 - 62.5 | x4 |
| 1 | 1 | 1 | 0 | 15.625 - 31.25 | x4 |
| 1 | 1 | 1 | 1 | 15.625 - 31.25 | x8 |

Table 3B. PLL Bypass Function Table

| Inputs | | | | Outputs PLL_SEL = 0 PLL Bypass Mode |
|--------|------|------|------|---|
| SEL3 | SEL2 | SEL1 | SEL0 | Q[0:3] |
| 0 | 0 | 0 | 0 | ÷8 |
| 0 | 0 | 0 | 1 | ÷8 |
| 0 | 0 | 1 | 0 | ÷8 |
| 0 | 0 | 1 | 1 | ÷16 |
| 0 | 1 | 0 | 0 | ÷16 |
| 0 | 1 | 0 | 1 | ÷16 |
| 0 | 1 | 1 | 0 | ÷32 |
| 0 | 1 | 1 | 1 | ÷32 |
| 1 | 0 | 0 | 0 | ÷64 |
| 1 | 0 | 0 | 1 | ÷128 |
| 1 | 0 | 1 | 0 | ÷4 |
| 1 | 0 | 1 | 1 | ÷4 |
| 1 | 1 | 0 | 0 | ÷8 |
| 1 | 1 | 0 | 1 | ÷2 |
| 1 | 1 | 1 | 0 | ÷4 |
| 1 | 1 | 1 | 1 | ÷2 |

Absolute Maximum Ratings

NOTE: Stresses beyond those listed under *Absolute Maximum Ratings* may cause permanent damage to the device. These ratings are stress specifications only. Functional operation of product at these conditions or any conditions beyond those listed in the *DC Characteristics* or *AC Characteristics* is not implied. Exposure to absolute maximum rating conditions for extended periods may affect product reliability.

| Item | Rating |
|--|---------------------------|
| Supply Voltage, V_{DD} | 4.6V |
| Inputs, V_I | -0.5V to $V_{DD} + 0.5V$ |
| Outputs, V_O | -0.5V to $V_{DDO} + 0.5V$ |
| Package Thermal Impedance, θ_{JA} | 70°C/W (0 lfpm) |
| Storage Temperature, T_{STG} | -65°C to 150°C |

DC Electrical Characteristics

Table 4A. Power Supply DC Characteristics, $V_{DD} = V_{DDO} = 3.3V \pm 5\%$, $T_A = 0^\circ\text{C}$ to 70°C

| Symbol | Parameter | Test Conditions | Minimum | Typical | Maximum | Units |
|-----------|-----------------------|-----------------|---------|---------|---------|-------|
| V_{DD} | Core Supply Voltage | | 3.135 | 3.3 | 3.465 | V |
| V_{DDA} | Analog Supply Voltage | | 3.135 | 3.3 | 3.465 | V |
| V_{DDO} | Output Supply Voltage | | 3.135 | 3.3 | 3.465 | V |
| I_{DD} | Power Supply Current | | | | 100 | mA |
| I_{DDA} | Analog Supply Current | | | | 16 | mA |
| I_{DDO} | Output Supply Current | | | | 6 | mA |

Table 4B. Power Supply DC Characteristics, $V_{DD} = V_{DDO} = 2.5V \pm 5\%$, $T_A = 0^\circ\text{C}$ to 70°C

| Symbol | Parameter | Test Conditions | Minimum | Typical | Maximum | Units |
|-----------|-----------------------|-----------------|---------|---------|---------|-------|
| V_{DD} | Core Supply Voltage | | 2.375 | 2.5 | 2.625 | V |
| V_{DDA} | Analog Supply Voltage | | 2.375 | 2.5 | 2.625 | V |
| V_{DDO} | Output Supply Voltage | | 2.375 | 2.5 | 2.625 | V |
| I_{DD} | Power Supply Current | | | | 96 | mA |
| I_{DDA} | Analog Supply Current | | | | 15 | mA |
| I_{DDO} | Output Supply Current | | | | 6 | mA |

Table 4C. LVCMOS/LVTTL DC Characteristics, $V_{DD} = V_{DDO} = 3.3V \pm 5\%$ or $2.5V \pm 5\%$, $T_A = 0^\circ\text{C}$ to 70°C

| Symbol | Parameter | Test Conditions | Minimum | Typical | Maximum | Units |
|----------|-----------------------------|--|---------|---------|----------------|---------------|
| V_{IH} | Input High Voltage | $V_{DD} = 3.3V$ | 2 | | $V_{DD} + 0.3$ | V |
| | | $V_{DD} = 2.5V$ | 1.7 | | $V_{DD} + 0.3$ | V |
| V_{IL} | Input Low Voltage | $V_{DD} = 3.3V$ | -0.3 | | 0.8 | V |
| | | $V_{DD} = 2.5V$ | -0.3 | | 0.7 | V |
| I_{IH} | Input High Current | SEL[0:3], MR, FB_IN, CLK_SEL $V_{DD} = V_{IN} = 3.465V$ or $2.625V$ | | | 150 | μA |
| | | PLL_SEL $V_{DD} = V_{IN} = 3.465V$ or $2.625V$ | | | 5 | μA |
| I_{IL} | Input Low Current | SEL[0:3], MR, FB_IN, CLK_SEL $V_{DD} = 3.465V$ or $2.625V$, $V_{IN} = 0V$ | -5 | | | μA |
| | | PLL_SEL $V_{DD} = 3.465V$ or $2.625V$, $V_{IN} = 0V$ | -150 | | | μA |
| V_{OH} | Output High Voltage; NOTE 1 | $V_{DDO} = 3.465V$ | 2.6 | | | V |
| | | $V_{DDO} = 2.625V$ | 1.8 | | | V |
| V_{OL} | Output Low Voltage; NOTE 1 | $V_{DD} = 3.465V$ or $2.625V$ | | | 0.5 | V |

NOTE 1: Outputs terminated with 50Ω to $V_{DDO}/2$. In the Parameter Measurement Information Section, see *Output Load Test Circuit Diagrams*.

Table 4D. Differential DC Characteristics, $V_{DD} = V_{DDO} = 3.3V \pm 5\%$ or $2.5V \pm 5\%$, $T_A = 0^\circ\text{C}$ to 70°C

| Symbol | Parameter | Test Conditions | Minimum | Typical | Maximum | Units |
|-----------|--------------------------------------|--|-----------|---------|-----------------|---------------|
| I_{IH} | Input High Current | CLK0/nCLK0, CLK1/nCLK1 $V_{DD} = V_{IN} = 3.465V$ or $2.625V$ | | | 150 | μA |
| I_{IL} | Input Low Current | CLK0, CLK1 $V_{DD} = 3.465V$ or $2.625V$, $V_{IN} = 0V$ | -5 | | | μA |
| | | nCLK0, nCLK1 $V_{DD} = 3.465V$ or $2.625V$, $V_{IN} = 0V$ | -150 | | | μA |
| V_{PP} | Peak-to-Peak Voltage; NOTE 1 | | 0.15 | | 1.3 | V |
| V_{CMR} | Common Mode Input Voltage; NOTE 1, 2 | | GND + 0.5 | | $V_{DD} - 0.85$ | V |

NOTE 1: V_{IL} should not be less than $-0.3V$.

NOTE 2: Common mode input voltage is defined as V_{IH} .

AC Electrical Characteristics

Table 5A. AC Characteristics, $V_{DD} = V_{DDO} = 3.3V \pm 5\%$, $T_A = 0^\circ C$ to $70^\circ C$

| Symbol | Parameter | Test Conditions | Minimum | Typical | Maximum | Units |
|----------------|-----------------------------------|--|---------|---------|---------|-------|
| f_{MAX} | Output Frequency | | 15.625 | | 250 | MHz |
| t_{PD} | Propagation Delay; NOTE 1 | CLK0, nCLK0 CLK1, nCLK1 PLL_SEL = 0V, $f \leq 250\text{MHz}$, $Q_x \div 2$ | 5 | | 6.2 | ns |
| $t(\emptyset)$ | Static Phase Offset; NOTE 2, 4 | CLK0, nCLK0 | -75 | 50 | 175 | ps |
| | | CLK1, nCLK1 | -190 | -65 | 175 | ps |
| $t_{sk(o)}$ | Output Skew; NOTE 3, 4 | CLK0, nCLK0 CLK1, nCLK1 PLL_SEL = 0V | | 40 | 50 | ps |
| $f_{jit(cc)}$ | Cycle-to-Cycle Jitter; NOTE 4 | $f_{OUT} > 40\text{MHz}$ | | 30 | 45 | ps |
| t_L | PLL Lock Time | | | | 1 | ms |
| t_R / t_F | Output Rise/Fall Time | 20% to 80% | 400 | | 800 | ps |
| odc | Output Duty Cycle | | 40 | 50 | 60 | % |

NOTE: Electrical parameters are guaranteed over the specified ambient operating temperature range, which is established when the device is mounted in a test socket with maintained transverse airflow greater than 500 lpm. The device will meet specifications after thermal equilibrium has been reached under these conditions.

NOTE 1: Measured from the differential input crossing point to the output at $V_{DDO}/2$.

NOTE 2: Defined as the time difference between the input reference clock and the average feedback input signal when the PLL is locked and the input reference frequency is stable.

NOTE 3: Defined as skew between outputs at the same supply voltage and with equal load conditions. Measured at $V_{DDO}/2$.

NOTE 4: This parameter is defined in accordance with JEDEC Standard 65.

Table 5B. AC Characteristics, $V_{DD} = V_{DDO} = 2.5V \pm 5\%$, $T_A = 0^\circ C$ to $70^\circ C$

| Symbol | Parameter | Test Conditions | Minimum | Typical | Maximum | Units |
|----------------|-----------------------------------|--|---------|---------|---------|-------|
| f_{MAX} | Output Frequency | | 15.625 | | 250 | MHz |
| t_{PD} | Propagation Delay; NOTE 1 | CLK0, nCLK0 CLK1, nCLK1 PLL_SEL = 0V, $f \leq 250\text{MHz}$, $Q_x \div 2$ | 5.3 | | 6.9 | ns |
| $t(\emptyset)$ | Static Phase Offset; NOTE 2, 4 | CLK0, nCLK0 | -175 | -25 | 125 | ps |
| | | CLK1, nCLK1 | -290 | -115 | 125 | ps |
| $t_{sk(o)}$ | Output Skew; NOTE 3, 4 | CLK0, nCLK0 CLK1, nCLK1 PLL_SEL = 0V | | 40 | 45 | ps |
| $f_{jit(cc)}$ | Cycle-to-Cycle Jitter; NOTE 4 | $f_{OUT} > 40\text{MHz}$ | | 35 | 45 | ps |
| t_L | PLL Lock Time | | | | 1 | ms |
| t_R / t_F | Output Rise/Fall Time | 20% to 80% | 400 | | 700 | ps |
| odc | Output Duty Cycle | | 44 | 50 | 56 | % |

NOTE: Electrical parameters are guaranteed over the specified ambient operating temperature range, which is established when the device is mounted in a test socket with maintained transverse airflow greater than 500 lpm. The device will meet specifications after thermal equilibrium has been reached under these conditions.

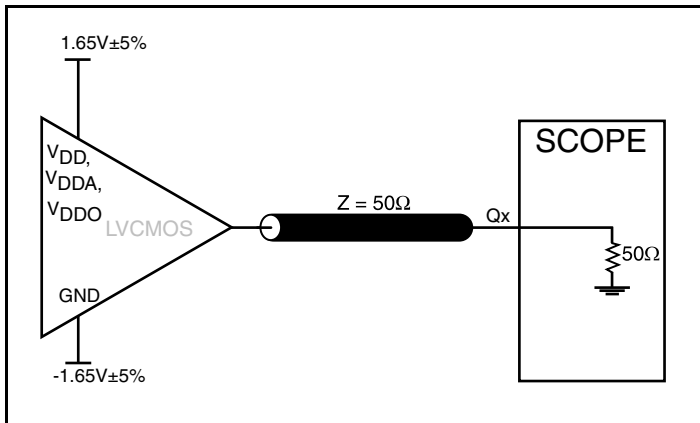
NOTE 1: Measured from the differential input crossing point to the output at $V_{DDO}/2$.

NOTE 2: Defined as the time difference between the input reference clock and the average feedback input signal, when the PLL is locked and the input reference frequency is stable.

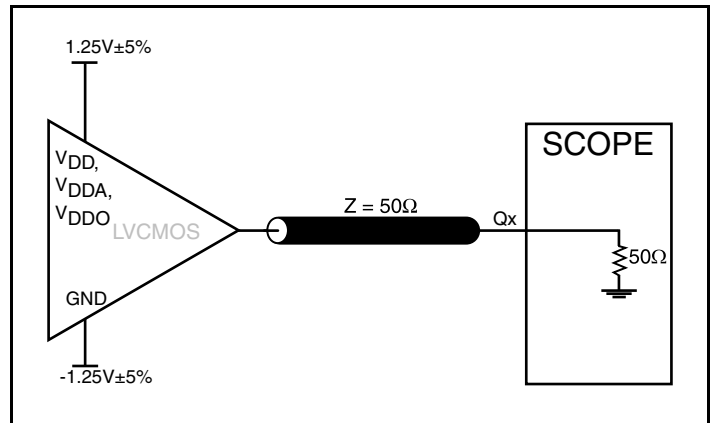
NOTE 3: Defined as skew between outputs at the same supply voltage and with equal load conditions. Measured at $V_{DDO}/2$.

NOTE 4: This parameter is defined in accordance with JEDEC Standard 65.

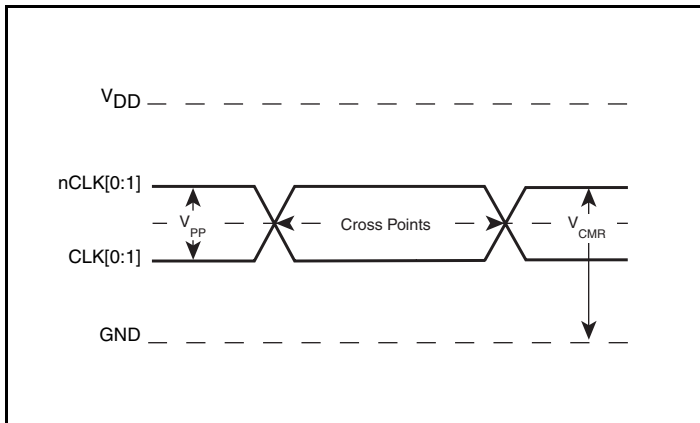
Parameter Measurement Information



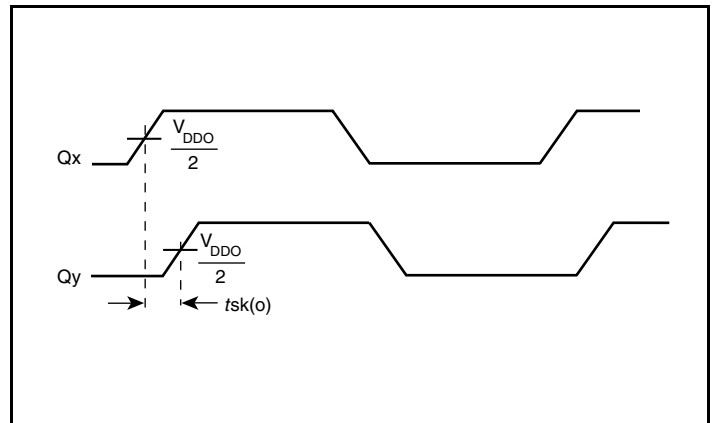
3.3V Output Load AC Test Circuit



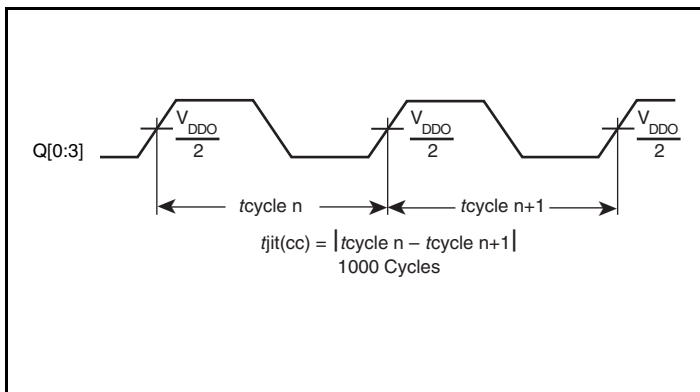
2.5V Output Load AC Test Circuit



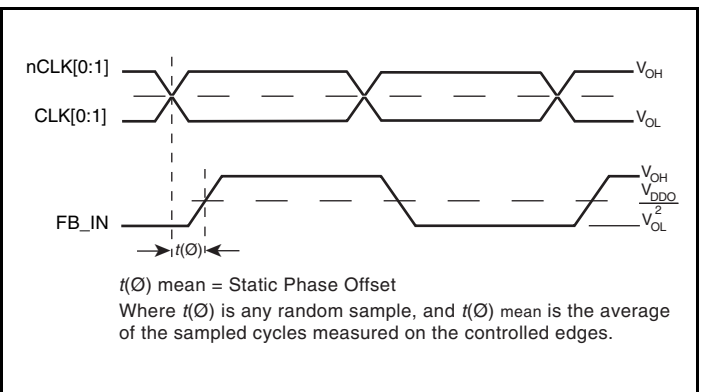
Differential Input Level



Output Skew

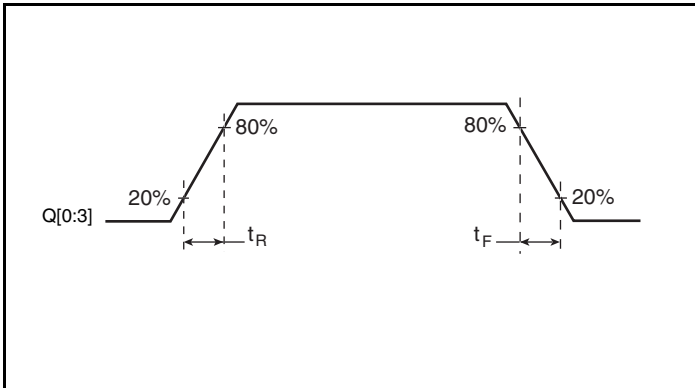


Cycle-to-Cycle Jitter

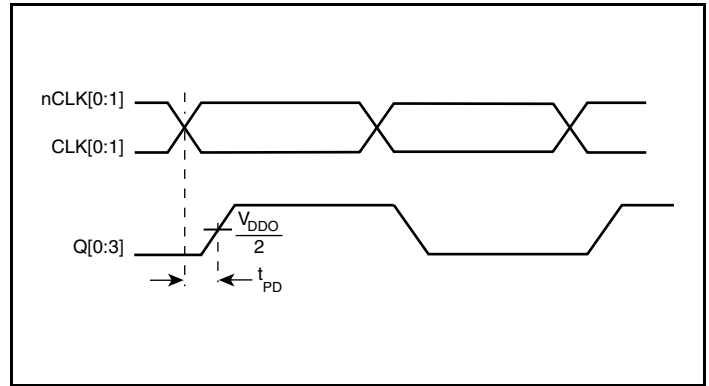


Static Phase Offset

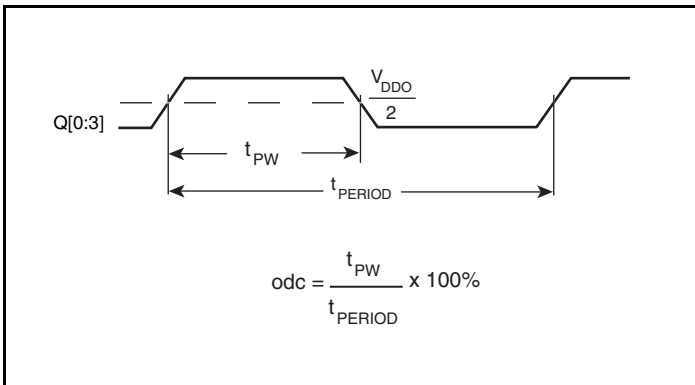
Parameter Measurement Information, continued



Output Rise/Fall Time



Propagation Delay



Output Duty Cycle/Pulse Width/Period

Application Information

Power Supply Filtering Technique

As in any high speed analog circuitry, the power supply pins are vulnerable to random noise. To achieve optimum jitter performance, power supply isolation is required. The ICS87004 provides separate power supplies to isolate any high switching noise from the outputs to the internal PLL. V_{DD} , V_{DDA} and V_{DDO} should be individually connected to the power supply plane through vias, and $0.01\mu\text{F}$ bypass capacitors should be used for each pin. *Figure 1* illustrates this for a generic V_{DD} pin and also shows that V_{DDA} requires that an additional 10Ω resistor along with a $10\mu\text{F}$ bypass capacitor be connected to the V_{DDA} pin. The 10Ω resistor can also be replaced by a ferrite bead.

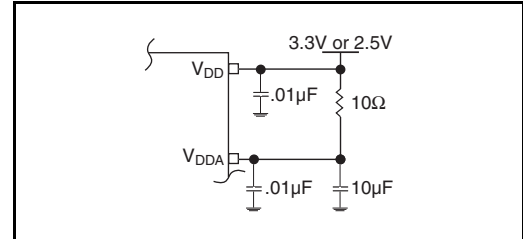


Figure 1. Power Supply Filtering

Wiring the Differential Input to Accept Single Ended Levels

Figure 2 shows how the differential input can be wired to accept single ended levels. The reference voltage $V_{REF} = V_{DD}/2$ is generated by the bias resistors $R1$, $R2$ and $C1$. This bias circuit should be located as close as possible to the input pin. The ratio of $R1$ and $R2$ might need to be adjusted to position the V_{REF} in the center of the input voltage swing. For example, if the input clock swing is only 2.5V and $V_{DD} = 3.3\text{V}$, V_{REF} should be 1.25V and $R2/R1 = 0.609$.

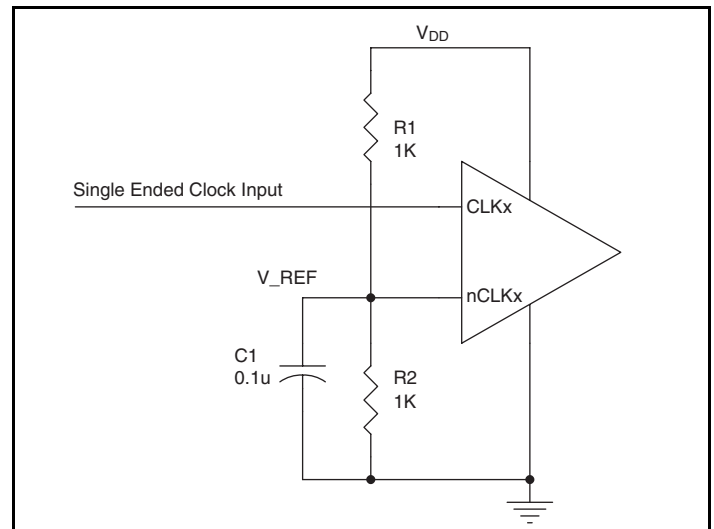


Figure 2. Single-Ended Signal Driving Differential Input

Recommendations for Unused Input and Output Pins

Inputs:

CLK/nCLK Inputs

For applications not requiring the use of the differential input, both CLK and nCLK can be left floating. Though not required, but for additional protection, a $1\text{k}\Omega$ resistor can be tied from CLK to ground.

LVCMOS Control Pins

All control pins have internal pullups or pulldowns; additional resistance is not required but can be added for additional protection. A $1\text{k}\Omega$ resistor can be used.

Outputs:

LVCMOS Outputs

All unused LVCMOS output can be left floating. There should be no trace attached.

Differential Clock Input Interface

The CLK /nCLK accepts LVDS, LVPECL, LVHSTL, SSTL, HCSL and other differential signals. Both V_{SWING} and V_{OH} must meet the V_{PP} and V_{CMR} input requirements. *Figures 3A to 3F* show interface examples for the HiPerClockS CLK/nCLK input driven by the most common driver types. The input interfaces suggested here are examples only. Please consult with the vendor of the driver

component to confirm the driver termination requirements. For example, in Figure 3A, the input termination applies for IDT HiPerClockS open emitter LVHSTL drivers. If you are using an LVHSTL driver from another vendor, use their termination recommendation.

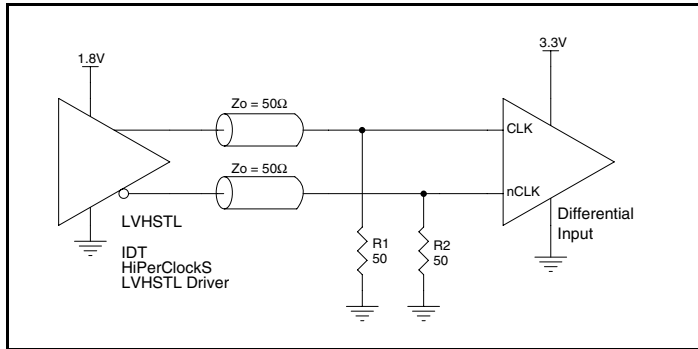


Figure 3A. HiPerClockS CLK/nCLK Input Driven by an IDT Open Emitter HiPerClockS LVHSTL Driver

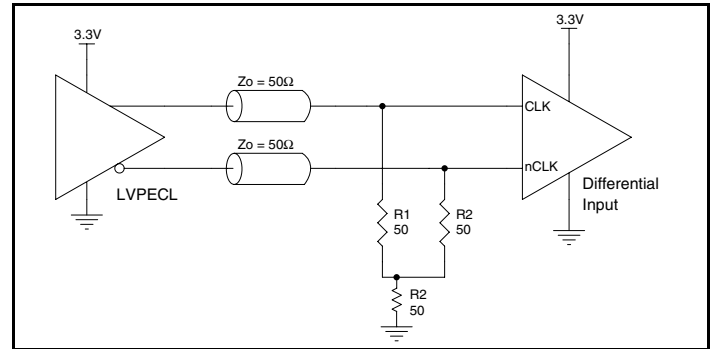


Figure 3B. HiPerClockS CLK/nCLK Input Driven by a 3.3V LVPECL Driver

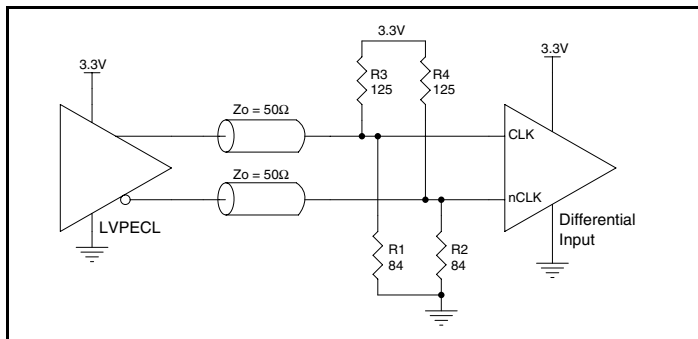


Figure 3C. HiPerClockS CLK/nCLK Input Driven by a 3.3V LVPECL Driver

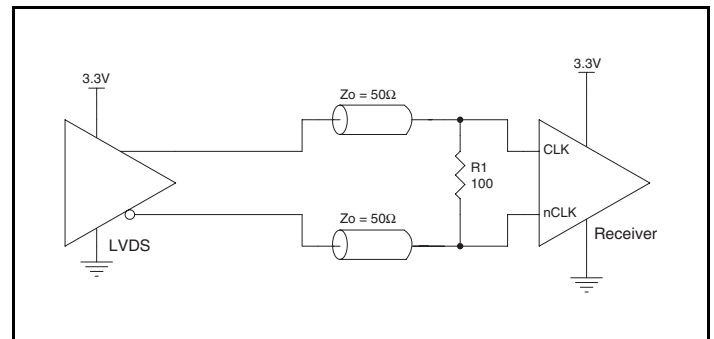


Figure 3D. HiPerClockS CLK/nCLK Input Driven by a 3.3V LVDS Driver

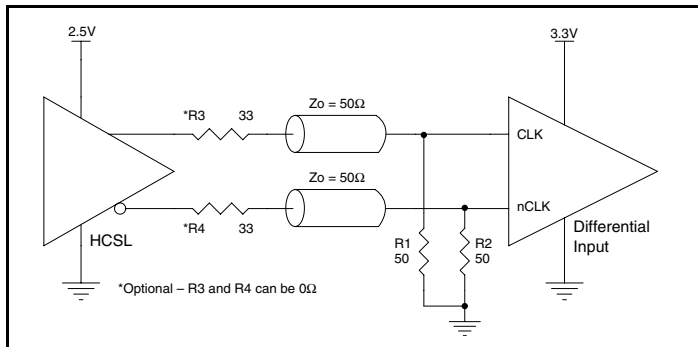


Figure 3E. HiPerClockS CLK/nCLK Input Driven by a 3.3V HCSL Driver

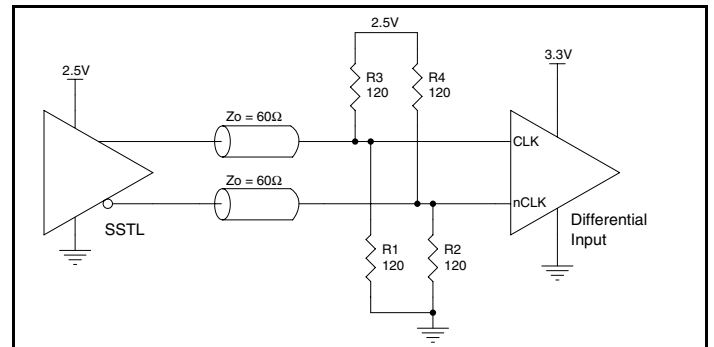


Figure 3F. HiPerClockS CLK/nCLK Input Driven by a 2.5V SSTL Driver

Reliability Information

Table 6. θ_{JA} vs. Air Flow Table for a 24 Lead TSSOP

| θ_{JA} vs. Air Flow | | | |
|---|--------|--------|--------|
| Linear Feet per Minute | 0 | 200 | 500 |
| Multi-Layer PCB, JEDEC Standard Test Boards | 70°C/W | 63°C/W | 60°C/W |

Transistor Count

The transistor count for ICS87004 is: 2578

Package Outline and Package Dimensions

Package Outline - G Suffix for 24 Lead TSSOP

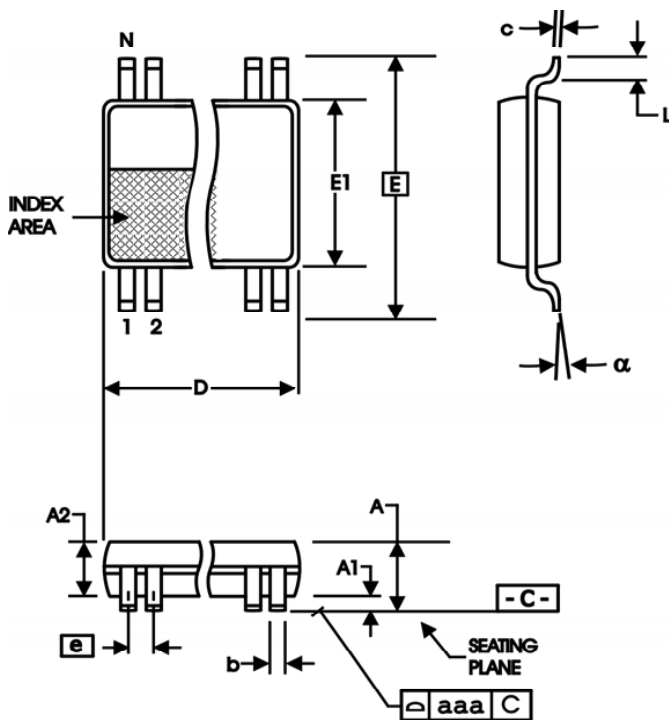


Table 7. Package Dimensions

| All Dimensions in Millimeters | | |
|-------------------------------|------------|---------|
| Symbol | Minimum | Maximum |
| N | 24 | |
| A | | 1.20 |
| A1 | 0.05 | 0.15 |
| A2 | 0.80 | 1.05 |
| b | 0.19 | 0.30 |
| c | 0.09 | 0.20 |
| D | 7.70 | 7.90 |
| E | 6.40 Basic | |
| E1 | 4.30 | 4.50 |
| e | 0.65 Basic | |
| L | 0.45 | 0.75 |
| α | 0° | 8° |
| aaa | 0.10 | |

Reference Document: JEDEC Publication 95, MO-153

Ordering Information

Table 8. Ordering Information

| Part/Order Number | Marking | Package | Shipping Packaging | Temperature |
|-------------------|--------------|---------------------------|--------------------|-------------|
| 87004AG | ICS87004AG | 24 Lead TSSOP | Tube | 0°C to 70°C |
| 87004AGT | ICS87004AG | 24 Lead TSSOP | 2500 Tape & Reel | 0°C to 70°C |
| 87004AGLF | ICS87004AGLF | "Lead-Free" 24 Lead TSSOP | Tube | 0°C to 70°C |
| 87004AGLFT | ICS87004AGLF | "Lead-Free" 24 Lead TSSOP | 2500 Tape & Reel | 0°C to 70°C |

NOTE: Parts that are ordered with an "LF" suffix to the part number are the Pb-Free configuration and are RoHS compliant.

While the information presented herein has been checked for both accuracy and reliability, Integrated Device Technology (IDT) assumes no responsibility for either its use or for the infringement of any patents or other rights of third parties, which would result from its use. No other circuits, patents, or licenses are implied. This product is intended for use in normal commercial applications. Any other applications, such as those requiring extended temperature ranges, high reliability or other extraordinary environmental requirements are not recommended without additional processing by IDT. IDT reserves the right to change any circuitry or specifications without notice. IDT does not authorize or warrant any IDT product for use in life support devices or critical medical instruments.

Revision History Sheet

| Rev | Table | Page | Description of Change | Date |
|-----|------------|--------------|---|---------|
| A | T8 | 13 | Ordering Information Table - added Lead-Free marking. | 6/16/04 |
| A | T8 | 13 | Ordering Information Table - corrected Lead-Free part number. Added Lead-Free note. | 5/17/05 |
| B | T5A T5B | 6 6 10 | 3.3V AC Characteristics Table - adjusted t_{PD} parameter from 6ns max. to 6.2ns max. 2.5V AC Characteristics Table - adjusted t_{PD} parameter from 6.7ns max. to 6.9ns max. Added Recommendations for Unused Input and Output Pins section. | 10/7/05 |
| C | T4D | 6 | Differential DC Characteristics Table - updated NOTES 1, 2. | 10/6/09 |
| | T5A, T5B | 7 | AC Characteristics Tables - Static Phase Offset, split CLKx into 2 rows. Specs changed for CLK1/nCLK1. Added Thermal note. | |
| | | 11 | Updated Differential Clock Input Interface section. | |
| | T8 | 13 | Ordering Information Table - deleted "ICS" prefix from Part/Order Number column. Converted datasheet format. | |
| C | | 1 | Features section - corrected output skew from 465ps to 50ps (maximum) | 12/1/09 |



www.IDT.com

6024 Silver Creek Valley Road
San Jose, California 95138

Sales
800-345-7015 (inside USA)
+408-284-8200 (outside USA)
Fax: 408-284-2775
www.IDT.com/go/contactIDT

Technical Support
netcom@idt.com
+480-763-2056

DISCLAIMER Integrated Device Technology, Inc. (IDT) and its subsidiaries reserve the right to modify the products and/or specifications described herein at any time and at IDT's sole discretion. All information in this document, including descriptions of product features and performance, is subject to change without notice. Performance specifications and the operating parameters of the described products are determined in the independent state and are not guaranteed to perform the same way when installed in customer products. The information contained herein is provided without representation or warranty of any kind, whether express or implied, including, but not limited to, the suitability of IDT's products for any particular purpose, an implied warranty of merchantability, or non-infringement of the intellectual property rights of others. This document is presented only as a guide and does not convey any license under intellectual property rights of IDT or any third parties.

IDT's products are not intended for use in life support systems or similar devices where the failure or malfunction of an IDT product can be reasonably expected to significantly affect the health or safety of users. Anyone using an IDT product in such a manner does so at their own risk, absent an express, written agreement by IDT.

Integrated Device Technology, IDT and the IDT logo are registered trademarks of IDT. Other trademarks and service marks used herein, including protected names, logos and designs, are the property of IDT or their respective third party owners.

Copyright 2009. All rights reserved.