



CYPRESS

CY23FP12

# 200-MHz Field Programmable Zero Delay Buffer

## Features

- Fully field-programmable
  - Input and output dividers
  - Inverting/noninverting outputs
  - Phase-locked loop (PLL) or fanout buffer configuration
- 10-MHz to 200-MHz operating range
- Split 2.5V or 3.3V outputs
- Two LVCMOS reference inputs
- Twelve low-skew outputs
  - 35ps typ. output-to-output skew (same freq)
- 110 ps typ. cycle-cycle jitter (same freq)
- Three-stateable outputs
- < 50- $\mu$ A shutdown current
- Spread Aware™
- 28-pin SSOP
- 3.3V operation
- Industrial temperature available

## Functional Description

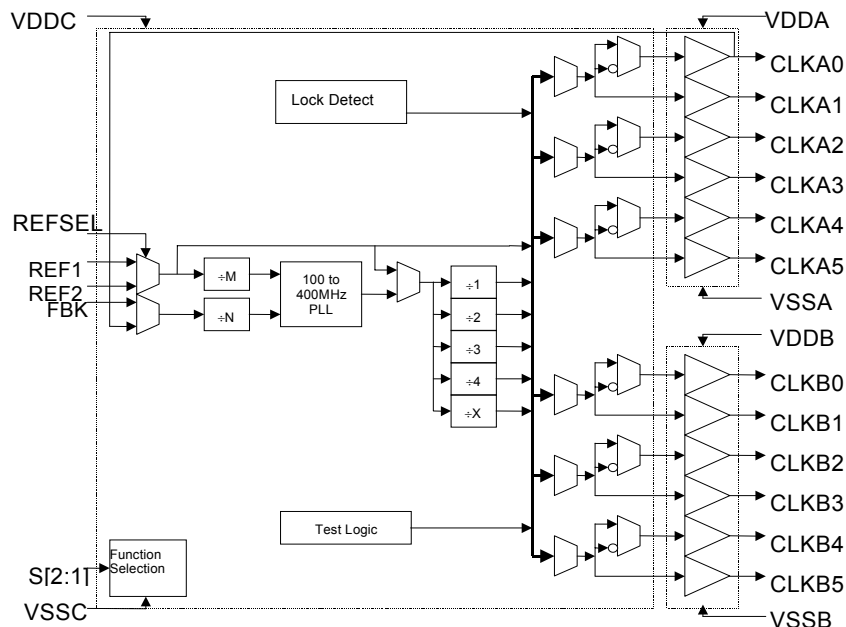
The CY23FP12 is a high-performance fully field-programmable 200 MHz zero delay buffer designed for high speed clock distribution. The integrated PLL is designed for low jitter and optimized for noise rejection. These parameters are critical for reference clock distribution in systems using high-performance ASICs and microprocessors.

The CY23FP12 is fully programmable via volume or prototype programmers enabling the user to define an application-specific Zero Delay Buffer with customized input and output dividers, feedback topology (internal/external), output inversions, and output drive strengths. For additional flexibility, the user can mix and match multiple functions, listed in Table 2, and assign a particular function set to any one of the four possible S1-S2 control bit combinations. This feature allows for the implementation of four distinct personalities, selectable with S1-S2 bits, on a single programmed silicon. The CY23FP12 also features a proprietary auto-power-down circuit that shuts down the device in case of a REF failure, resulting in less than 50  $\mu$ A of current draw.

The CY23FP12 provides twelve outputs grouped in two banks with separate power supply pins which can be connected independently to either a 2.5V or a 3.3V rail.

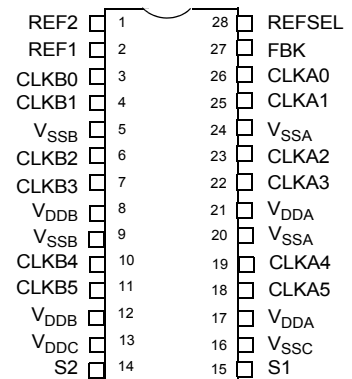
Selectable reference input is a fault tolerance feature which allows for glitch-free switch over to secondary clock source when REFSEL is asserted/deasserted.

## Block Diagram



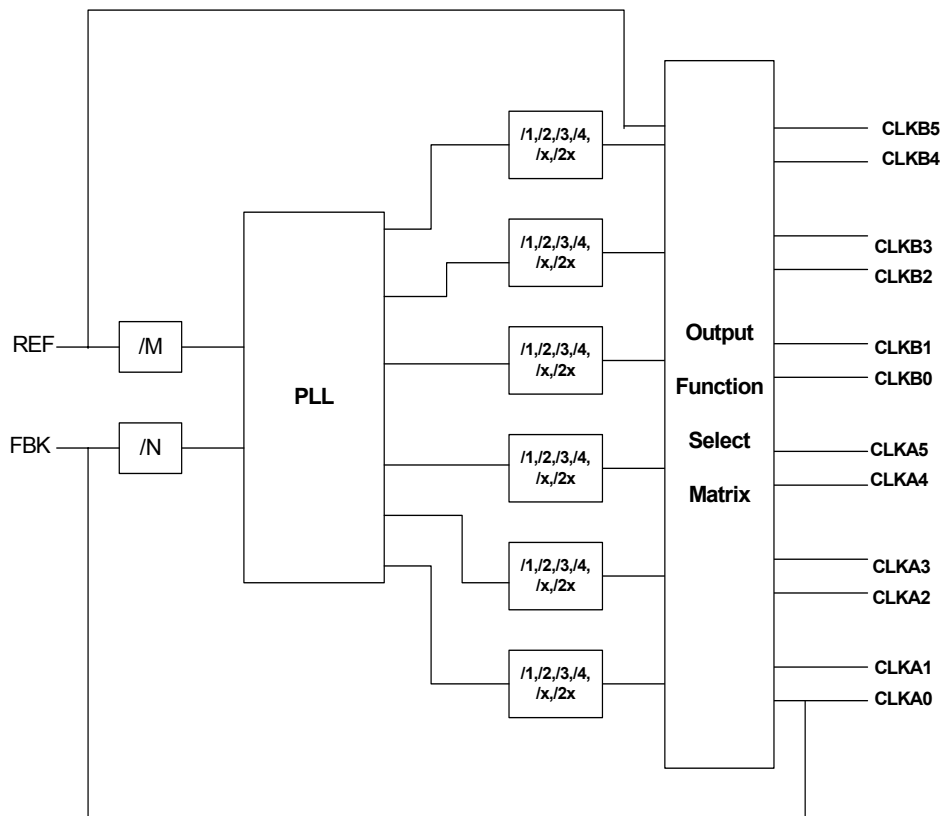
## Pin Configuration

SSOP Top View



**Pin Description**

| Pin | Name             | I/O | Type          | Description   |
|-----|------------------|-----|---------------|---|
| 1   | REF2             | I   | LVTTTL/LVCMOS | Input reference frequency, 5V-tolerant input.                                       |
| 2   | REF1             | I   | LVTTTL/LVCMOS | Input reference frequency, 5V-tolerant input.                                       |
| 3   | CLKB0            | O   | LVTTTL        | Clock output, Bank B.   |
| 4   | CLKB1            | O   | LVTTTL        | Clock output, Bank B.   |
| 5   | V <sub>SSB</sub> | PWR | POWER         | Ground for Bank B.  |
| 6   | CLKB2            | O   | LVTTTL        | Clock output, Bank B.   |
| 7   | CLKB3            | O   | LVTTTL        | Clock output, Bank B.   |
| 8   | V <sub>DDB</sub> | PWR | POWER         | 2.5V or 3.3V supply, Bank B.  |
| 9   | V <sub>SSB</sub> | PWR | POWER         | Ground for Bank B.  |
| 10  | CLKB4            | O   | LVTTTL        | Clock output, Bank B.   |
| 11  | CLKB5            | O   | LVTTTL        | Clock output, Bank B.   |
| 12  | V <sub>DDB</sub> | PWR | POWER         | 2.5V or 3.3V supply, Bank B.  |
| 13  | V <sub>DDC</sub> | PWR | POWER         | 3.3V core supply.   |
| 14  | S2               | I   | LVTTTL        | Select input.   |
| 15  | S1               | I   | LVTTTL        | Select input.   |
| 16  | V <sub>SSC</sub> | PWR | POWER         | Ground for core.  |
| 17  | V <sub>DDA</sub> | PWR | POWER         | 2.5V or 3.3V supply, Bank A.  |
| 18  | CLKA5            | O   | LVTTTL        | Clock output, Bank A.   |
| 19  | CLKA4            | O   | LVTTTL        | Clock output, Bank A.   |
| 20  | V <sub>SSA</sub> | PWR | POWER         | Ground for Bank A.  |
| 21  | V <sub>DDA</sub> | PWR | POWER         | 2.5V or 3.3V supply Bank A.   |
| 22  | CLKA3            | O   | LVTTTL        | Clock output, Bank A.   |
| 23  | CLKA2            | O   | LVTTTL        | Clock output, Bank A.   |
| 24  | V <sub>SSA</sub> | PWR | POWER         | Ground for Bank A.  |
| 25  | CLKA1            | O   | LVTTTL        | Clock output, Bank A.   |
| 26  | CLKA0            | O   | LVTTTL        | Clock output, Bank A.   |
| 27  | FBK              | I   | LVTTTL        | PLL feedback input.   |
| 28  | REFSEL           | I   | LVTTTL        | Reference select input. REFSEL = 0, REF1 is selected. REFSEL = 1, REF2 is selected. |



**Figure 1. Basic PLL Block Diagram**

Below is a list of independent functions that can be programmed with a volume or prototype programmer on the “default” silicon.

**Table 1.**

| Configuration                   | Description  | Default     |
|---------------------------------|--|-------------|
| DC Drive Bank A                 | Programs the drive strength of Bank A outputs. The user can select one out of two possible drive strength settings that produce output DC currents in the range of $\pm 16$ mA to $\pm 20$ mA. | $\pm 16$ mA |
| DC Drive Bank B                 | Programs the drive strength of Bank B outputs. The user can select one out of two possible drive strength settings that produce output DC currents in the range of $\pm 16$ mA to $\pm 20$ mA. | $\pm 16$ mA |
| Output Enable for Bank B clocks | Enables/Disables CLKB[5:0] outputs. Each of the six outputs can be disabled <i>individually</i> if not used, to minimize electromagnetic interference (EMI) and switching noise.               | Enable      |
| Output Enable for Bank A clocks | Enables/Disables CLKA[5:0] outputs. Each of the six outputs can be disabled <i>individually</i> if not used, to minimize EMI and switching noise.  | Enable      |
| Inv CLKA0                       | Generates an inverted clock on the CLKA0 output. When this option is programmed, CLKA0 and CLKA1 will become complimentary pairs.  | Non-invert  |
| Inv CLKA2                       | Generates an inverted clock on the CLKA2 output. When this option is programmed, CLKA2 and CLKA3 will become complimentary pairs.  | Non-invert  |
| Inv CLKA4                       | Generates an inverted clock on the CLKA4 output. When this option is programmed, CLKA4 and CLKA5 will become complimentary pairs.  | Non-invert  |
| Inv CLKB0                       | Generates an inverted clock on the CLKB0 output. When this option is programmed, CLKB0 and CLKB1 will become complimentary pairs.  | Non-invert  |
| Inv CLKB2                       | Generates an inverted clock on the CLKB2 output. When this option is programmed, CLKB2 and CLKB3 will become complimentary pairs.  | Non-invert  |

**Table 1.** (continued)

| Configuration        | Description   | Default    |
|----------------------|---|------------|
| Inv CLKB4            | Generates an inverted clock on the CLKB4 output. When this option is programmed, CLKB4 and CLKB5 will become complimentary pairs. | Non-invert |
| Pull-down Enable     | Enables/Disables internal pulldowns on all outputs  | Enable     |
| Fbk Pull-down Enable | Enables/Disables internal pulldowns on the feedback path (applicable to both internal and external feedback topologies)           | Enable     |
| Fbk Sel              | Selects between the internal and the external feedback topologies   | External   |

Below is a list of independent functions, which can be assigned to each of the four S1 and S2 combinations. When a particular S1 and S2 combination is selected, the device will assume the configuration (which is essentially a set of functions given in *Table 2*, below) that has been preassigned to that particular combination.

**Table 2.**

| Function                | Description   | Default     |
|-------------------------|---|-------------|
| Output Enable CLKB[5:4] | Enables/Disables CLKB[5:4] output pair  | Enable      |
| Output Enable CLKB[3:2] | Enables/Disables CLKB[3:2] output pair  | Enable      |
| Output Enable CLKB[1:0] | Enables/Disables CLKB[1:0] output pair  | Enable      |
| Output Enable CLKA[5:4] | Enables/Disables CLKA[5:4] output pair  | Enable      |
| Output Enable CLKA[3:2] | Enables/Disables CLKA[3:2] output pair  | Enable      |
| Output Enable CLKA[1:0] | Enables/Disables CLKA[1:0] output pair  | Enable      |
| Auto Power-down Enable  | Enables/Disables the auto power down circuit, which monitors the reference clock rising edges and shuts down the device in case of a reference "failure." This failure is triggered by a drift in reference frequency below a set limit. This auto power down circuit is disabled internally when one or more of the outputs are configured to be driven directly from the reference clock. | Enable      |
| PLL Power-down          | Shuts down the PLL when the device is configured as a non-PLL fanout buffer.  | PLL Enabled |
| M[7:0]                  | Assigns an eight-bit value to reference divider –M. The divider can be any integer value from 1 to 256; however, the PLL input frequency cannot be lower than 10 MHz.   | 2           |
| N[7:0]                  | Assigns an eight-bit value to feedback divider –N. The divider can be any integer value from 1 to 256; however, the PLL input frequency cannot be lower than 10 MHz.  | 2           |
| X[6:0]                  | Assigns a seven-bit value to output divider –X. The divider can be any integer value from 5 to 130. Divide by 1,2,3, and 4 are preprogrammed on the device and can be activated by the appropriate output mux setting.  | 1           |
| Divider Source          | Selects between the PLL output and the reference clock as the source clock for the output dividers.   | PLL         |
| CLKA54 Source           | Independently selects one out of the eight possible output dividers that will connect to the CLKA5 and CLKA4 pair. Please refer to <i>Table 3</i> for a list of divider values.   | Divide by 2 |
| CLKA32 Source           | Independently selects one out of the eight possible output dividers that will connect to the CLKA3 and CLKA2 pair. Please refer to <i>Table 3</i> for a list of divider values.   | Divide by 2 |
| CLKA10 Source           | Independently selects one out of the eight possible output dividers that will connect to the CLKA1 and CLKA0 pair. Please refer to <i>Table 3</i> for a list of divider values.   | Divide by 2 |
| CLKB54 Source           | Independently selects one out of the eight possible output dividers that will connect to the CLKB5 and CLKB4 pair. Please refer to <i>Table 3</i> for a list of divider values.   | Divide by 2 |
| CLKB32 Source           | Independently selects one out of the eight possible output dividers that will connect to the CLKB3 and CLKB2 pair. Please refer to <i>Table 3</i> for a list of divider values.   | Divide by 2 |
| CLKB10 Source           | Independently selects one out of the eight possible output dividers that will connect to the CLKB1 and CLKB0 pair. Please refer to <i>Table 3</i> for a list of divider values.   | Divide by 2 |

Table 3 is a list of output dividers that are independently selected to connect to each output pair.

In the default (non-programmable) state of the device, S1 and S2 pins will function, as indicated in Table 4.

**Table 3.**

| CLKA/B Source | Output Connects To                     |
|---------------|--|
| 0 [000]       | REF                                    |
| 1 [001]       | Divide by 1                            |
| 2 [010]       | Divide by 2                            |
| 3 [011]       | Divide by 3                            |
| 4 [100]       | Divide by 4                            |
| 5 [101]       | Divide by X                            |
| 6 [110]       | Divide by 2X <sup>[1]</sup>            |
| 7 [111]       | TEST mode [LOCK signal] <sup>[2]</sup> |

**Table 4.**

| S2 | S1 | CLKA[5:0]   | CLKB[5:0]   | Output Source |
|----|----|-------------|-------------|---------------|
| 0  | 0  | Three-state | Three-state | PLL           |
| 0  | 1  | Driven      | Three-state | PLL           |
| 1  | 0  | Driven      | Driven      | Reference     |
| 1  | 1  | Driven      | Driven      | PLL           |

### Field Programming the CY23FP12

The CY23FP12 is programmed at the package level, i.e. in a programmer socket. The CY23FP12 is flash-technology based, so the parts can be reprogrammed up to 100 times. This allows for fast and easy design changes and product updates, and eliminates any issues with old and out-of-date inventory.

Samples and small prototype quantities can be programmed on the CY3672 programmer. Cypress's value-added distribution partners and third-party programming systems from BP Microsystems, HiLo Systems, and others are available for large production quantities.

### CyberClocks™ Software

CyberClocks is an easy-to-use software application that allows the user to custom-configure the CY23FP12. Users can specify the REF, PLL frequency, output frequencies and/or post-dividers, and different functional options. CyberClocks outputs an industry standard JEDEC file used for programming the CY23FP12.

CyberClocks can be downloaded free of charge from the Cypress website at [www.cypress.com](http://www.cypress.com).

#### Note:

1. Outputs will be rising edge aligned only to those outputs using this same device setting.
2. When the source of an output pair is set to [111], the output pair becomes lock indicator signal. For example, if the source of an output pair (CLKA0, CLKA1) is set to [111], the CLKA0 and CLKA1, becomes lock indicator signals. In non-invert mode, CLKA0 and CLKA1 signals will be high when the PLL is in lock mode. If CLKA0 is in an invert mode, the CLKA0 will be low and the CLKA1 will be high when the PLL is in lock mode.

### CY3672 FTG Development Kit

The Cypress CY3672 FTG Development Kit comes complete with everything needed to design with the CY23FP12 and program samples and small prototype quantities. The kit comes with the latest version of CyberClocks and a small portable programmer that connects to a PC serial port for on-the-fly programming of custom frequencies.

The JEDEC file output of CyberClocks can be downloaded to the portable programmer for small-volume programming, or for use with a production programming system for larger volumes.

### CY23FP12 Frequency Calculation

The CY23FP12 is an extremely flexible clock buffer with up to twelve individual outputs, generated from an integrated PLL.

There are four variables used to determine the final output frequency. These are the input Reference Frequency M, the N dividers, and the post divider X.

The basic PLL block diagram is shown in Figure 1. Each of the six clock outputs pair has many output options available to it. There are six post divider options: /1, /2, /3, /4, /X, and /2X. The post divider options can be applied to the calculated PLL frequency or to the REF directly. The feedback either is connected to CLKA0 internally or connected to any output externally.

A programmable divider, M, is inserted between the reference input, REF, and the phase detector. The divider M can be any integer 1 to 256. The PLL input frequency cannot be lower than 10 MHz or higher than 200 MHz.

A programmable divider, N, is inserted between the feedback input, FBK, and the phase detector. The divider N can be any integer 1 to 256. The PLL input frequency cannot be lower than 10 MHz or higher than 200 MHz.

So the output can be calculated as following:

$$F_{REF} / M = F_{FBK} / N.$$

$$F_{PLL} = (F_{REF} * N * \text{post divider})/M.$$

$$F_{OUT} = F_{PLL} / \text{post divider}.$$

In addition to above divider options, the another option bypasses the PLL and passes the REF directly to the output.

$$F_{OUT} = F_{REF}.$$

**Absolute Maximum Conditions**

| Parameter         | Description  | Condition                   | Min.    | Max.                  | Unit  |
|-------------------|--|-----------------------------|---------|-----------------------|-------|
| V <sub>DD</sub>   | Supply Voltage   | Non-functional              | -0.5    | 7                     | VDC   |
| V <sub>IN</sub>   | Input Voltage REF  | Relative to V <sub>CC</sub> | -0.5    | 7                     | VDC   |
| V <sub>IN</sub>   | Input Voltage Except REF   | Relative to V <sub>CC</sub> | -0.5    | V <sub>DD</sub> + 0.5 | VDC   |
| LU <sub>I</sub>   | Latch-up Immunity  | Functional                  | 300     |                       | mA    |
| T <sub>S</sub>    | Temperature, Storage   | Non-functional              | -65     | +125                  | °C    |
| T <sub>A</sub>    | Temperature, Operating Ambient   | Commercial Temperature      | 0       | +70                   | °C    |
| T <sub>A</sub>    | Temperature, Operating Ambient   | Industrial Temperature      | -40     | +85                   | °C    |
| T <sub>J</sub>    | Junction Temperature   | Industrial Temperature      |         | 125                   | °C    |
| Ø <sub>Jc</sub>   | Dissipation, Junction to Case  | Functional                  | 34      |                       | °C/W  |
| Ø <sub>Ja</sub>   | Dissipation, Junction to Ambient   | Functional                  | 86      |                       | °C/W  |
| ESD <sub>h</sub>  | ESD Protection (Human Body Model)  |                             | 2000    |                       | V     |
| MSL               | Moisture Sensitivity Level   |                             | MSL – 1 |                       | class |
| G <sub>ATES</sub> | Total Functional Gate Count  | Assembled Die               | 21375   |                       | each  |
| UL-94             | Flammability Rating  | @ 1/8 in.                   | V-0     |                       | class |
| FIT               | Failure in Time  | Manufacturing test          | 10      |                       | ppm   |
| T <sub>PU</sub>   | Power-up time for all V <sub>DD</sub> S to reach minimum specified voltage (power ramps must be monotonic) |                             | 0.05    | 500                   | ms    |

**DC Electrical Specifications for CY23FP12SC/I Commercial/Industrial Temperature Devices**

| Parameter                           | Description                        | Test Conditions  | Min.                  | Typ. | Max.                  | Unit |
|-------------------------------------|------------------------------------|--|-----------------------|------|-----------------------|------|
| V <sub>DDC</sub>                    | Core Supply Voltage                |  | 3.135                 |      | 3.465                 | V    |
| V <sub>DDA</sub> , V <sub>DDB</sub> | Bank A, Bank B Supply Voltage      |  | 3.135                 |      | 3.465                 | V    |
|                                     |                                    |  | 2.375                 |      | 2.625                 | V    |
| V <sub>IL</sub>                     | Input LOW Voltage <sup>[3]</sup>   |  |                       |      | 0.3 × V <sub>DD</sub> | V    |
| V <sub>IH</sub>                     | Input HIGH Voltage <sup>[3]</sup>  |  | 0.7 × V <sub>DD</sub> |      |                       | V    |
| I <sub>IL</sub>                     | Input LOW Current <sup>[3]</sup>   | V <sub>IN</sub> = 0V   |                       |      | 50.0                  | µA   |
| I <sub>IH</sub>                     | Input HIGH Current <sup>[3]</sup>  | V <sub>IN</sub> = V <sub>DD</sub>  |                       |      | 50.0                  | µA   |
| V <sub>OL</sub>                     | Output LOW Voltage <sup>[4]</sup>  | V <sub>DDA</sub> /V <sub>DDB</sub> = 3.3V, I <sub>OL</sub> = 16 mA (standard drive)<br>V <sub>DDA</sub> /V <sub>DDB</sub> = 3.3V, I <sub>OL</sub> = 20 mA (high drive)<br>V <sub>DDA</sub> /V <sub>DDB</sub> = 2.5V, I <sub>OL</sub> = 16 mA (high drive)    |                       |      | 0.5                   | V    |
| V <sub>OH</sub>                     | Output HIGH Voltage <sup>[4]</sup> | V <sub>DDA</sub> /V <sub>DDB</sub> = 3.3V, I <sub>OH</sub> = -16 mA (standard drive)<br>V <sub>DDA</sub> /V <sub>DDB</sub> = 3.3V, I <sub>OH</sub> = -20 mA (high drive)<br>V <sub>DDA</sub> /V <sub>DDB</sub> = 2.5V, I <sub>OH</sub> = -16 mA (high drive) | V <sub>DD</sub> - 0.5 |      |                       | V    |
| I <sub>DDS</sub>                    | Power-down Supply Current          | REF = 0 MHz  |                       | 12   | 50                    | µA   |
| I <sub>DD</sub>                     | Supply Current                     | V <sub>DDA</sub> = V <sub>DDB</sub> = 2.5V, Unloaded outputs @ 166 MHz   |                       | 40   | 65.0                  | mA   |
|                                     |                                    | V <sub>DDA</sub> = V <sub>DDB</sub> = 2.5V, Loaded outputs @ 166 MHz, C <sub>L</sub> = 15 pF   |                       | 65   | 100                   |      |
|                                     |                                    | V <sub>DDA</sub> = V <sub>DDB</sub> = 3.3V, Unloaded outputs @ 166 MHz   |                       | 50   | 80                    |      |
|                                     |                                    | V <sub>DDA</sub> = V <sub>DDB</sub> = 3.3V, Loaded outputs @ 166 MHz, C <sub>L</sub> = 15 pF   |                       | 100  | 120                   |      |

**Notes:**

- Applies to both Ref Clock and FBK.
- Parameter is guaranteed by design and characterization. Not 100% tested in production.

**Switching Characteristics** <sup>[5]</sup>

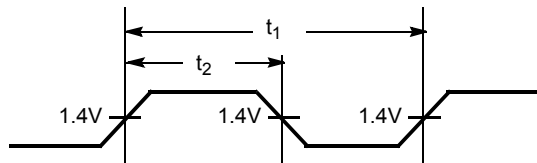
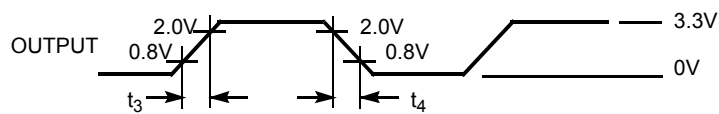
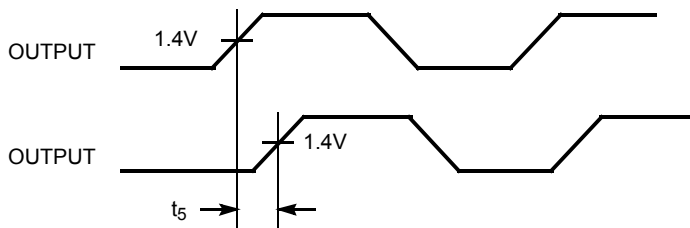
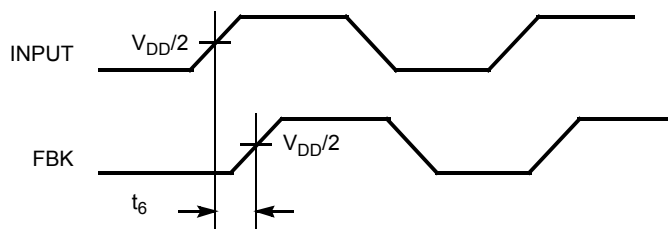
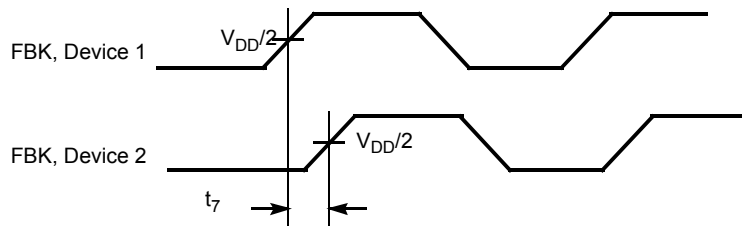
| Parameter      | Description   | Test Conditions  | Min. | Typ.                | Max.  | Unit |
|----------------|---|--|------|---------------------|-------|------|
|                | Reference Frequency <sup>[6]</sup>                                      |  | 10   |                     | 200   | MHz  |
|                | Reference Edge Rate   |  | 1    |                     |       | V/ns |
|                | Reference Duty Cycle  |  | 25   |                     | 75    | %    |
| t <sub>1</sub> | Output Frequency <sup>[7]</sup>   | C <sub>L</sub> = 15 pF, Commercial Temperature   | 10   |                     | 200   | MHz  |
|                |   | C <sub>L</sub> = 15 pF, Industrial Temperature   | 10   |                     | 166.7 |      |
|                |   | C <sub>L</sub> = 30 pF, Commercial Temperature   | 10   |                     | 100   |      |
|                |   | C <sub>L</sub> = 30 pF, Industrial Temperature   | 10   |                     | 83.3  |      |
|                | Duty Cycle <sup>[5]</sup>   | V <sub>DDA/B</sub> = 3.3V, measured at V <sub>DD</sub> /2  | 45.0 | 50.0                | 55.0  | %    |
|                |   | V <sub>DDA/B</sub> = 2.5V  | 40.0 | 50.0                | 60.0  |      |
| t <sub>3</sub> | Rise Time <sup>[5]</sup>  | V <sub>DDA/B</sub> = 3.3V, 0.8V to 2.0V,<br>C <sub>L</sub> = 30 pF (standard drive and high drive) |      |                     | 1.6   | ns   |
|                |   | V <sub>DDA/B</sub> = 3.3V, 0.8V to 2.0V,<br>C <sub>L</sub> = 15 pF (standard drive and high drive) |      |                     | 0.8   |      |
|                |   | V <sub>DDA/B</sub> = 2.5V, 0.6V to 1.8V,<br>C <sub>L</sub> = 30 pF (high drive only)               |      |                     | 2.0   |      |
|                |   | V <sub>DDA/B</sub> = 2.5V, 0.6V to 1.8V,<br>C <sub>L</sub> = 15 pF (high drive only)               |      |                     | 1.0   |      |
| t <sub>4</sub> | Fall Time <sup>[5]</sup>  | V <sub>DDA/B</sub> = 3.3V, 0.8V to 2.0V,<br>C <sub>L</sub> = 30 pF (standard drive and high drive) |      |                     | 1.6   | ns   |
|                |   | V <sub>DDA/B</sub> = 3.3V, 0.8V to 2.0V,<br>C <sub>L</sub> = 15 pF (standard drive and high drive) |      |                     | 0.8   |      |
|                |   | V <sub>DDA/B</sub> = 2.5V, 0.6V to 1.8V,<br>C <sub>L</sub> = 30 pF (high drive only)               |      |                     | 1.6   |      |
|                |   | V <sub>DDA/B</sub> = 2.5V, 0.6V to 1.8V,<br>C <sub>L</sub> = 15 pF (high drive only)               |      |                     | 0.8   |      |
| TTB            | Total Timing Budget, <sup>[8,9]</sup><br>Bank A and B same<br>frequency | Outputs @200 MHz, tracking skew not<br>included  |      |                     | 650   | ps   |
|                | Total Timing Budget, Bank<br>A and B different frequency                |  |      |                     | 850   |      |
| t <sub>5</sub> | Output to Output Skew <sup>[5]</sup>                                    | All outputs equally loaded   |      | 35 <sup>[10]</sup>  | 200   | ps   |
|                | Bank to Bank Skew   | Same frequency   |      |                     | 200   |      |
|                | Bank to Bank Skew   | Different frequency  |      |                     | 400   |      |
|                | Bank to Bank Skew   | Different voltage, same frequency  |      |                     | 400   |      |
| t <sub>6</sub> | Input to Output Skew (static<br>phase offset) <sup>[5]</sup>            | Measured at V <sub>DD</sub> /2, REF to FBK   |      | 0                   | 250   | ps   |
| t <sub>7</sub> | Device to Device Skew <sup>[5]</sup>                                    | Measured at V <sub>DD</sub> /2   |      | 0                   | 500   | ps   |
| t <sub>J</sub> | Cycle to Cycle Jitter <sup>[5]</sup><br>(Peak)                          | Bank A and B same frequency  |      | 110 <sup>[11]</sup> | 200   | ps   |
|                | Cycle to Cycle Jitter <sup>[5]</sup><br>(Peak)                          | Bank A and B different frequency   |      |                     | 400   |      |

**Notes:**

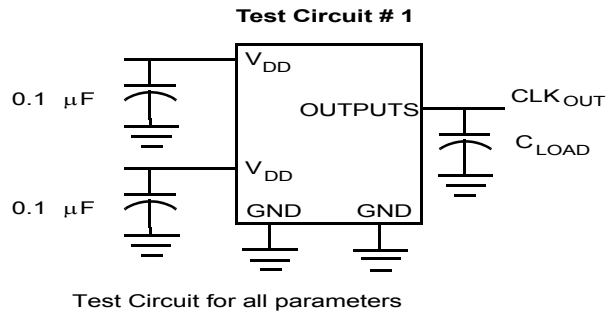
5. All parameters are specified with loaded outputs.
6. When the device is configured as a non-PLL fanout buffer (PLL Power-down enabled), the reference frequency can be lower than 10MHz. With auto power-down disabled and PLL power-down enabled, the reference frequency can be as low as DC level.
7. When the device is configured as a non-PLL fanout buffer (PLL Power-down enabled), the output frequency can be lower than 10MHz. With auto power-down disabled and PLL power-down enabled, the output frequency can be as low as DC level.
8. Guaranteed by statistical correlation. Tested initially and after any design or process changes that may affect these parameters.
9. TTB is the window between the earliest and the latest output clocks with respect to the input reference clock across variations in output frequency, supply voltage, operating temperature, input clock edge rate, and process. The measurements are taken with the AC test load specified and include output-output skew, cycle-cycle jitter, and dynamic phase error.TTB will be equal to or smaller than the maximum specified value at a given frequency.
10. Same frequency, 15pF load, high drive.
11. Same frequency, 15pF load, low drive.

**Switching Characteristics** <sup>[5]</sup>

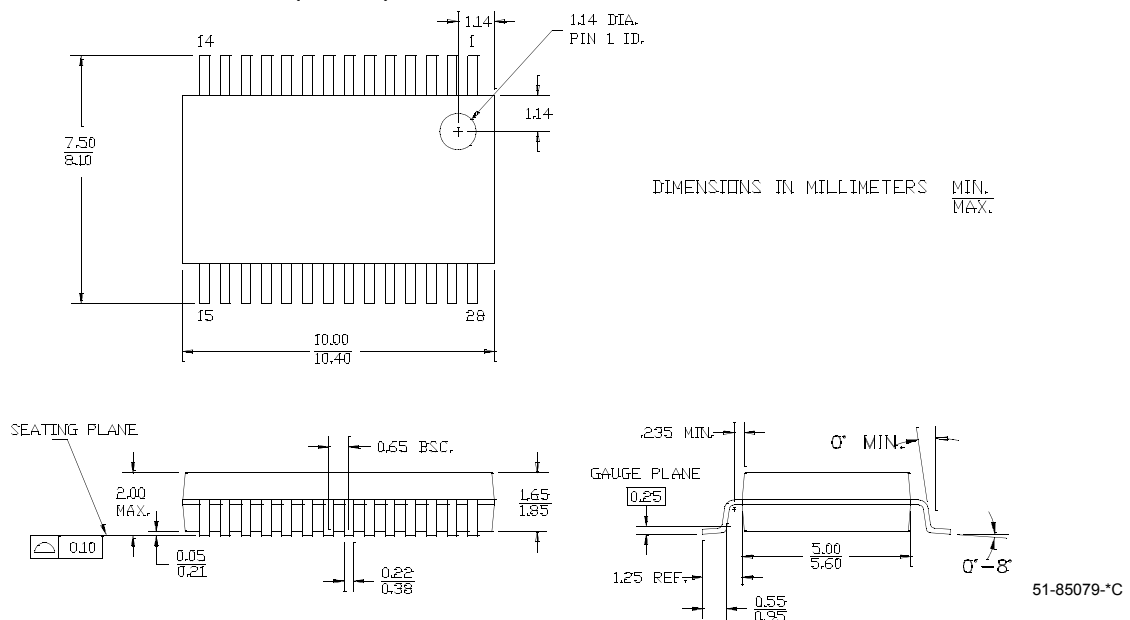
| Parameter  | Description                  | Test Conditions  | Min. | Typ. | Max. | Unit |
|------------|------------------------------|--|------|------|------|------|
| $t_{tsk}$  | Tracking Skew                | Input reference clock @ < 50-KHz modulation with $\pm 3.75\%$ spread |      |      | 200  | ps   |
| $t_{LOCK}$ | PLL Lock Time <sup>[5]</sup> | Stable power supply, valid clock at REF                              |      |      | 1.0  | ms   |
| $T_{LD}$   | Inserted Loop Delay          | Max loop delay for PLL Lock (stable frequency)                       |      |      | 7    | ns   |
|            |                              | Max loop delay to meet Tracking Skew Spec                            |      |      | 4    | ns   |

**Switching Waveforms**
**Duty Cycle Timing**

**All Outputs Rise/Fall Time**

**Output-Output Skew**

**Input-Output Propagation Delay**

**Device-Device Skew**




**Test Circuits**

**Ordering Information**

| Ordering Code    | Package Type                           | Operating Range           |
|------------------|--|---------------------------|
| CY23FP12OC       | 28-pin SSOP                            | Commercial, 0°C to 70°C   |
| CY23FP12OCT      | 28-pin SSOP – Tape and Reel            | Commercial, 0°C to 70°C   |
| CY23FP12OI       | 28-pin SSOP                            | Industrial, -40°C to 85°C |
| CY23FP12OIT      | 28-pin SSOP – Tape and Reel            | Industrial, -40°C to 85°C |
| CY3672           | Development Kit                        |                           |
| CY3692           | CY23FP12S Socket (Label CY3672 ADP006) |                           |
| <b>Lead-free</b> |  |                           |
| CY23FP12OXC      | 28-pin SSOP                            | Commercial, 0°C to 70°C   |
| CY23FP12OXCT     | 28-pin SSOP – Tape and Reel            | Commercial, 0°C to 70°C   |
| CY23FP12OXI      | 28-pin SSOP                            | Industrial, -40°C to 85°C |
| CY23FP12OXIT     | 28-pin SSOP – Tape and Reel            | Industrial, -40°C to 85°C |

**Package Drawing and Dimension**
**28-lead (5.3 mm) Shrunken Small Outline Package O28**


Total Timing Budget, TTB, Spread Aware, and CyberClocks are trademarks of Cypress Semiconductor Corporation. All product and company names mentioned in this document are the trademarks of their respective holders.

**Document History Page**

| Document Title: CY23FP12 200-MHz Field Programmable Zero Delay Buffer |         |            |                 |   |
|---|---------|------------|-----------------|---|
| Document Number: 38-07246   |         |            |                 |   |
| REV.  | ECN NO. | Issue Date | Orig. of Change | Description of Change   |
| **  | 115158  | 07/03/02   | HWT             | New data sheet  |
| *A  | 121880  | 12/14/02   | RBI             | Power-up requirements added to Absolute Maximum Ratings information   |
| *B  | 124523  | 03/19/03   | RGL             | Final data sheet<br>Changed title to "200-MHz Field Programmable Zero Delay Buffer"   |
| *C  | 126938  | 06/16/03   | RGL             | Interchanged REF2 in the Pin Configuration diagram<br>Replaced all divide by 2 default value to divide by 2 in <i>Table 2</i><br>Fixed the formula in the Frequency Calculation section |
| *D  | 129364  | 09/10/03   | RGL             | Changed the CyClocksRT trademark to CyberClocks<br>Added Note 2 in the TEST mode in <i>Table 3</i><br>Added T <sub>LD</sub> specifications in the Switching Characteristics table       |
| *E  | 299718  | See ECN    | RGL             | Added lead-free devices<br>Added typical values   |