

# 1:8 Clock Fanout Buffer

## Features

- Low voltage operation  $V_{DD} = 3.3V$
- 1:8 fanout
- Single-input configurable for LVDS, LVPECL, or LVTTTL
- 8 pairs of LVPECL outputs with enable and disable
- Drives a 50 ohm load
- Low input capacitance
- Low output skew
- Low propagation delay typical (tpd < 4 ns)
- Industrial versions available
- Package available include: TSSOP
- Does not exceed Bellcore 802.3 standards
- Operation up to 350 MHz and 700 Mbps

## Description

This Cypress series of network circuits is produced using advanced 0.35 micron CMOS technology, achieving the industry's fastest logic.

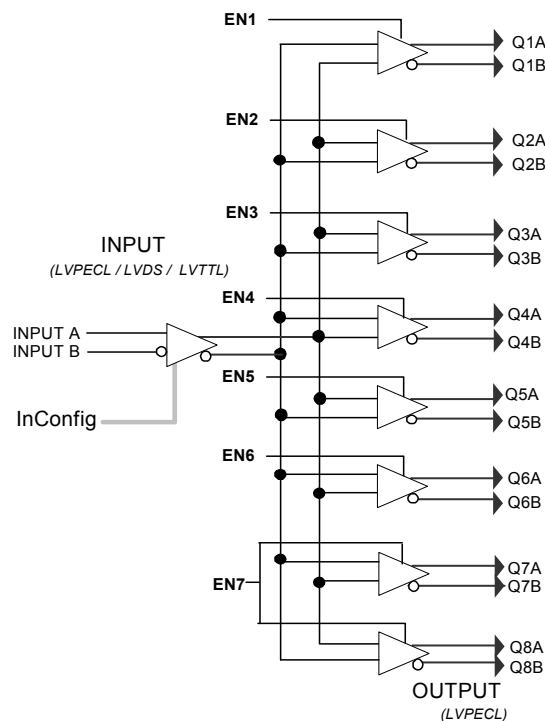
The Cypress CY2DP818-2 fanout buffer features a single LVDS or a single-ended LVTTTL compatible input and eight LVPECL output pairs.

Designed for data communications clock management applications, the large fanout from a single input reduces loading on the input clock.

The CY2DP818-2 is ideal for both level translations from single-ended to LVPECL and for the distribution of LVPECL based clock signals.

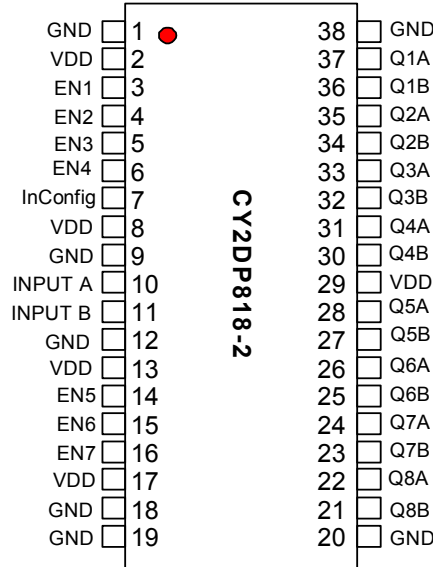
The Cypress CY2DP818-2 has configurable input functions. The input is user configurable through the Inconfig pin for single ended or differential input.

## Logic Block Diagram



## Pin Configuration

Figure 1. Pin Diagram - 38-Pin TSSOP



## Pin Description

Pin Number	Pin Name	Pin Standard Interface	Description
1, 9, 12, 18, 19, 20, 38	GND	POWER	<b>Ground.</b>
2, 8, 13, 29, 17	VDD	POWER	<b>Power supply.</b>
3, 4, 5, 6, 14, 15, 16	EN(1:7)	LVTTTL/LVCMOS	<b>The respective outputs are enabled when these pins are pulled high.</b> Outputs are disabled when connected to GND. EN7 controls both Q7(A,B) and Q8(A,B)
10, 11	Input A, Input B	Default: LVPECL/LVDS Optional: LVTTTL/LVCMOS single pin	<b>Differential input pair or single line.</b> LVPECL/LVDS default. See InConfig, below.
37, 36, 35, 34, 33, 32, 31, 30, 28, 27, 26, 25, 24, 23, 22, 21	Q1(A,B), Q2(A,B), Q3(A,B), Q4(A,B), Q5(A,B), Q6(A,B), Q7(A,B), Q8(A,B)	LVPECL	<b>Differential outputs.</b>
7	InConfig	LVTTTL/LVCMOS	<b>Converts inputs from the default LVPECL/LVDS (logic = 0) to LVTTTL/LVCMOS (logic = 1)</b> See <a href="#">Input Receiver Configuration for Differential or LVTTTL/LVCMOS table, Figure 6 and Figure 7</a> for additional information

**Power Supply Characteristics**

Parameter	Description	Test Conditions	Min	Typ	Max	Unit
ICCD	Dynamic Power Supply Current	V <sub>DD</sub> = Max. Input toggling 50% Duty Cycle, Outputs Open		1.5	2.0	mA/ MHz
IC	Total Power Supply Current	V <sub>DD</sub> = Max. Input toggling 50% Duty Cycle, Outputs 50 ohms, f <sub>L</sub> =100 MHz			350	mA
IC Core	Core Current when Output Loads are Disabled	V <sub>DD</sub> = Max. Input toggling 50% Duty Cycle, Outputs Disabled, not connected to VTT f <sub>L</sub> = 100 MHz			50	mA

**Input Receiver Configuration for Differential or LVTTTL/LVCMOS**

INCONFIG Pin 7 Binary Value	Input Receiver Family	Input Receiver Type
1	LVTTTL in LVCMOS	Single ended, non inverting, inverting, void of bias resistors
0	LVDS	Low voltage differential signaling
	LVPECL	Low voltage pseudo (positive) emitter coupled logic

**Function Control of the TTL Input Logic used to Accept or Invert the Input Signal**

LVTTTL/LVCMOS Input Logic			
Input Condition		Input Logic	Output Logic Q Pins, Q1A or Q1
Ground	Input B (-) Pin 11		
	Input A (+) Pin 10	Input	True
V <sub>DD</sub>	Input B (-) Pin 11		
	Input A (+) Pin 10	Input	Invert
Ground	Input A (+) Pin 10		
	Input B (-) Pin 11	Input	Invert
V <sub>DD</sub>	Input A (+) Pin 10		
	Input B (-) Pin 11	Input	True

**Absolute Maximum Conditions**

Parameter	Description	Condition	Min	Max	Unit	
V <sub>DD</sub>	DC Supply Voltage	Inputs and V <sub>CC</sub>	-0.3	4.6	V	
V <sub>DD</sub>	DC Operating Voltage	Outputs	-0.3	V <sub>DD</sub> + 0.3	V	
V <sub>IN</sub>	DC Input Voltage	Relative to V <sub>SS</sub> , with or V <sub>DD</sub> applied	-0.3	V <sub>DD</sub> + 0.3	V	
V <sub>OUT</sub>	DC Output Voltage	Relative to V <sub>SS</sub>	-0.3	V <sub>DD</sub> + 0.9	V	
V <sub>TT</sub>	Output Termination Voltage		-	V <sub>DD</sub> ÷ 2	V	
T <sub>S</sub>	Temperature, Storage	Non Functional	-65	+150	°C	
T <sub>A</sub>	Temperature, Operating Ambient	Commercial	Functional	0	70	°C
		Industrial	Functional	-40	+85	

**Multiple Supplies:** The voltage on any input or I/O pin cannot exceed the power pin during power up. Power supply sequencing is NOT required.

**DC Electrical Specifications**

3.3V – LVDS Input at V<sub>DD</sub> = 3.3V ± 5%, T<sub>A</sub> = 0°C to 70°C or -40°C to 85°C

Parameter	Description	Conditions	Min	Typ	Max	Unit
V <sub>ID</sub>	Magnitude of Differential Input Voltage		100		600	mV
V <sub>IC</sub>	Common Mode of Differential Input Voltage  V <sub>ID</sub>   (minimum and maximum)		I <sub>V</sub> ID/2	2.4-(I <sub>V</sub> ID/2)		V
I <sub>IH</sub>	Input High Current	V <sub>DD</sub> = Max. V <sub>IN</sub> = V <sub>DD</sub>	-	±10	±20	µA
I <sub>IL</sub>	Input Low Current	V <sub>DD</sub> = Max. V <sub>IN</sub> = V <sub>SS</sub>	-	±10	±20	µA

3.3V – LVPECL Input at V<sub>DD</sub> = 3.3V ± 5%, T<sub>A</sub> = 0°C to 70°C or -40°C to 85°C

Parameter	Description	Conditions	Min	Typ	Max	Unit
V <sub>ID</sub>	Differential Input Voltage p-p	Guaranteed Logic High Level	400	-	2600	mV
V <sub>IH</sub>	Input High Voltage	Guaranteed Logic High Level	2.15	-	2.4	V
V <sub>IL</sub>	Input Low Voltage	Guaranteed Logic Low Level	1.5	-	1.8	V
I <sub>IH</sub>	Input High Current	V <sub>DD</sub> = Max. V <sub>IN</sub> = V <sub>DD</sub>	-	±10	±20	µA
I <sub>IL</sub>	Input Low Current	V <sub>DD</sub> = Max. V <sub>IN</sub> = V <sub>SS</sub>	-	±10	±20	µA
V <sub>CM</sub>	Common-mode Voltage		1650	-	2250	mV

3.3V – LVTTTL/LVCMOS Input at V<sub>DD</sub> = 3.3V ± 5%, T<sub>A</sub> = 0°C to 70°C or -40°C to 85°C

Parameter	Description	Conditions	Min	Typ	Max	Units
V <sub>IH</sub>	Input High Voltage	Guaranteed Logic High Level	2	-	-	V
V <sub>IL</sub>	Input Low Voltage	Guaranteed Logic Low Level	-	-	0.8	V
I <sub>IH</sub>	Input High Current	V <sub>DD</sub> = Max V <sub>IN</sub> = 2.7V	-	-	1	µA
I <sub>IL</sub>	Input Low Current	V <sub>DD</sub> = Max V <sub>IN</sub> = 0.5V	-	-	-1	µA
I <sub>I</sub>	Input High Current	V <sub>DD</sub> = Max, V <sub>IN</sub> = V <sub>DD</sub> (Max)				
V <sub>IK</sub>	Clamp Diode Voltage	V <sub>DD</sub> = Min, I <sub>IN</sub> = -18 mA	-	-0.7	-1.2	V
V <sub>H</sub>	Input Hysteresis <sup>[1]</sup>		-	80		mV

**Note**

1. Guaranteed but not tested.

3.3V – LVPECL Output at  $V_{DD} = 3.3V \pm 5\%$ ,  $T_A = 0^\circ C$  to  $70^\circ C$  or  $-40^\circ C$  to  $85^\circ C$

Parameter	Description	Conditions	Min	Typ	Max	Unit
$V_{OD}$	Driver Differential Output Voltage p-p	$V_{DD} = \text{Min}$ , $V_{IN} = V_{IH}$ or $V_{IL}$ RL = 50 ohm	1000	–	3600	mV
$\Delta V_{OC}$	Driver common-Mode Variation p-p	$V_{DD} = \text{Min}$ , $V_{IN} = V_{IH}$ or $V_{IL}$ RL = 50 ohm	–	–	300	mV
Rise Time	Differential 20% to 80%	CL–10 pF RL and CL to GND	RL = 50 ohm	300	1200	ps
Fall Time						
$V_{OH}$	Output High Voltage	$V_{DD} = \text{Min}$ , $V_{IN} = V_{IH}$ or $V_{IL}$ $I_{OH} = -12 \text{ mA}$	2.1	–	3.0	V
$V_{OL}$	Output Low Voltage	$V_{DD} = \text{Min}$ , $V_{IN} = V_{IH}$ or $V_{IL}$ User-defined by VTT RTT.	0.8	–	1.3	V
$I_{OS}$	Short Circuit Current	$V_{DD} = \text{Max}$ , $V_{OUT} = \text{GND}$	–	–	-150	mA

### AC Switching Characteristics

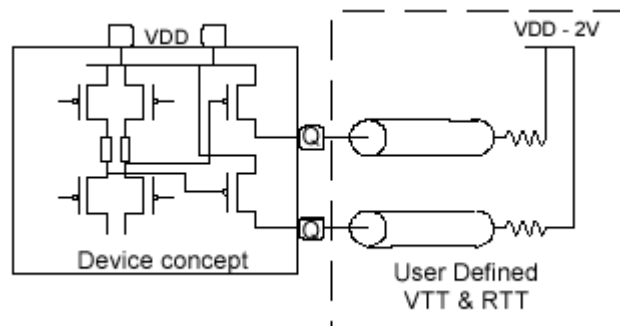
(at  $V_{DD} = 3.3V \pm 5\%$ ,  $T_A = 0^\circ C$  to  $70^\circ C$  or  $-40^\circ C$  to  $85^\circ C$ )

Parameter	Description	Conditions	Min	Typ	Max	Unit
$t_{PLH}$	Propagation Delay – Low to High	$V_{OD} = 100 \text{ mV}$	3	4	5	ns
$t_{PHL}$	Propagation Delay – High to Low		3	4	5	ns
$T_{PE}$	Enable (EN) to Functional Operation		–	–	6	ns
$T_{PD}$	Functional Operation to Disable		–	–	5	ns
$t_{SK(0)}$	Output Skew: Skew between outputs of the same package (in phase)		–	–	0.2	ns
$t_{SK(p)}$	Pulse Skew: Skew between opposite transitions of the same output ( $t_{PHL} - t_{PLH}$ )		–	0.2		ns
$t_{SK(t)}$	Package Skew: Skew between outputs of different packages at the same power supply voltage, temperature, and package type. Same input signal level and output load.	$V_{ID} = 100 \text{ mV}$	–	–	1	ns

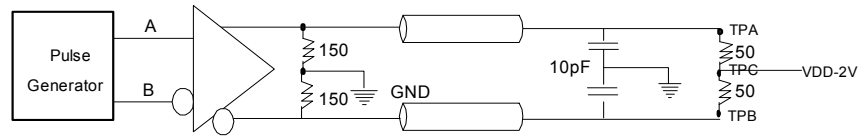
### High Frequency Parametrics

Parameter	Description	Conditions	Min	Typ	Max	Unit
Fmax	Maximum Frequency $V_{DD} = 3.3V$	45% to 55% duty cycle Standard load circuit	–	–	350	MHz

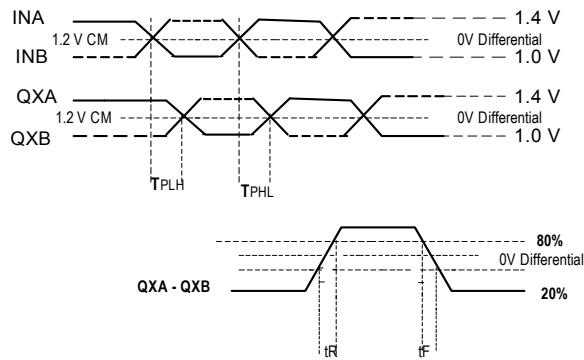
**Figure 2. Driver Design**



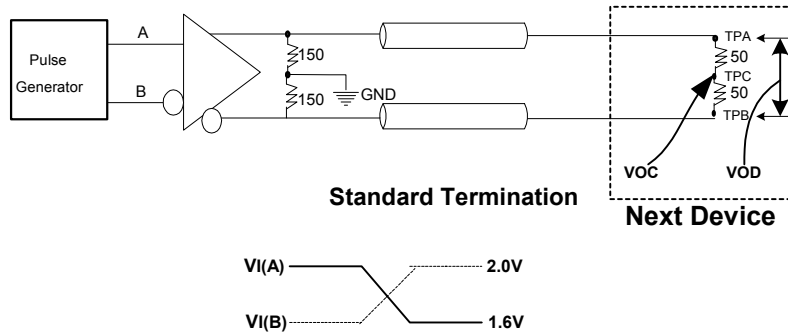
**Figure 3. Differential Receiver to Driver Propagation Delay and Driver Transition Time<sup>[2,3,4,5]</sup>**



**Standard Termination**



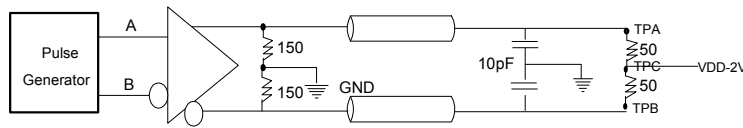
**Figure 4. Test Circuit and Voltage Definitions for the Driver Common-Mode Output Voltage<sup>[2,3,4,5]</sup>**



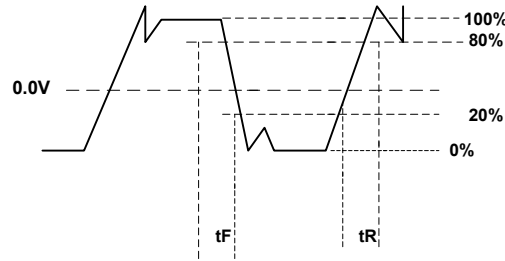
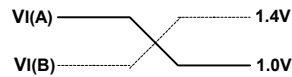
**Notes**

2. All input pulses are supplied by a frequency generator with the following characteristics:  $t_R$  and  $t_F \leq 1$  ns; pulse rerate = 50 Mpps; pulse width =  $10 \pm 0.2$  ns.
3.  $R_L = 50 \text{ ohm} \pm 1\%$ ;  $Z_{line} = 50 \text{ ohm } 6''$ .
4. CL includes instrumentation and fixture capacitance within 6'' of the DUT.
5. TPA and B are used for prop delay and Rise/Fall measurements. TPC is used for VOC measurements only and is otherwise connected to  $V_{DD} - 2$ .

**Figure 5. Test Circuit and Voltage Definitions for the Differential Output Signal<sup>[2,3,4,5]</sup>**

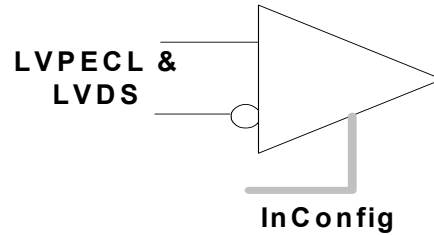
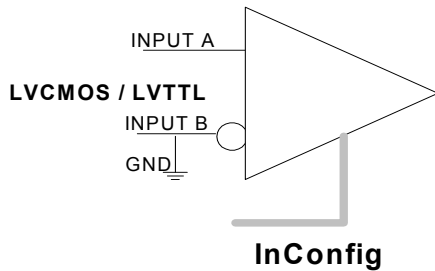


**Standard Termination**



**Figure 6. LVTTTL/LVCMOS<sup>[6]</sup>**

**Figure 7. LVDS/LVPECL<sup>[6]</sup>**



1	<b>LVTTTL/LVCMOS</b>
---	----------------------

0	<b>LVDS/LVPECL</b>
---	--------------------

**Ordering Information**

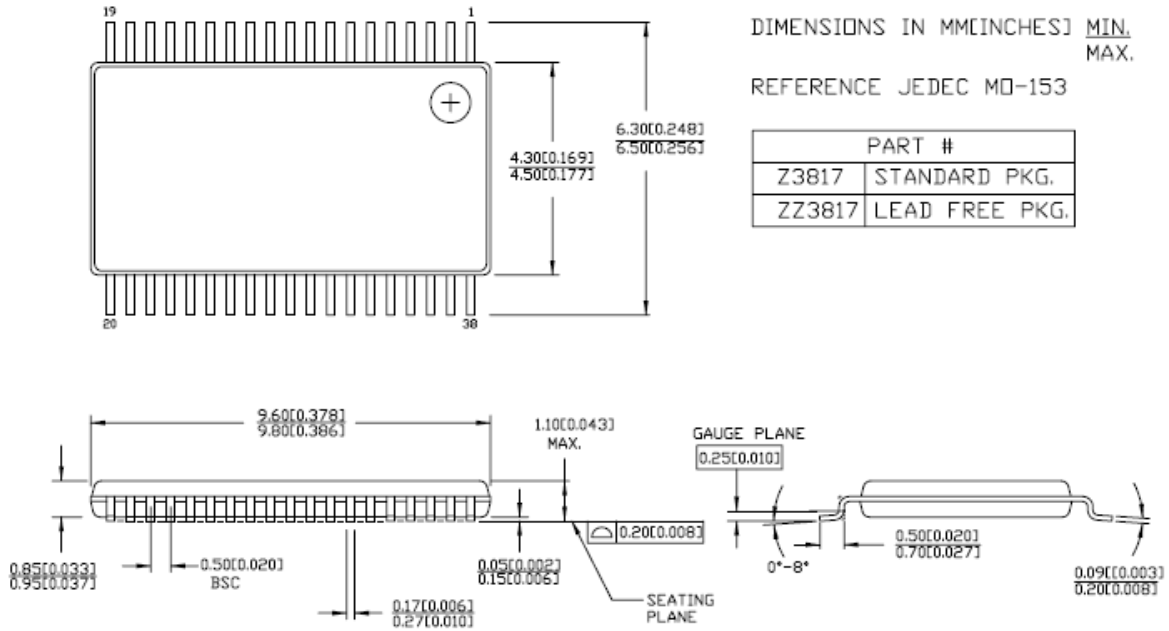
Part Number	Package Type	Product Flow
CY2DP818ZI-2	38-Pin TSSOP	Industrial, -40° to 85°C
CY2DP818ZI-2T	38-Pin TSSOP–Tape and Reel	Industrial, -40° to 85°C
CY2DP818ZC-2	38-Pin TSSOP	Commercial, 0°C to 70°C
CY2DP818ZC-2T	38-Pin TSSOP–Tape and Reel	Commercial, 0°C to 70°C
<b>Pb Free Devices</b>		
CY2DP818ZXI-2	38-Pin TSSOP	Industrial, -40° to 85°C
CY2DP818ZXI-2T	38-Pin TSSOP–Tape and Reel	Industrial, -40° to 85°C
CY2DP818ZXC-2	38-Pin TSSOP	Commercial, 0°C to 70°C
CY2DP818ZXC-2T	38-Pin TSSOP–Tape and Reel	Commercial, 0°C to 70°C

**Note**

6. LVPECL or LVDS differential input value.

**Package Drawing and Dimensions**

**Figure 8. 38-Pin TSSOP (4.40 mm Body) Z38**



51-85151-\*A



**Document History Page**

Document Title: CY2DP818-2 1:8 Clock Fanout Buffer Document Number: 38-07588				
Rev.	ECN No.	Submission Date	Orig. of Change	Description of Change
**	129879	11/07/03	RGL	New Data Sheet
*A	2595534	10/23/08	CXQ/PYRS	Removed "Preliminary", added Pb-free devices to Ordering Information

**Sales, Solutions, and Legal Information**

**Worldwide Sales and Design Support**

Cypress maintains a worldwide network of offices, solution centers, manufacturer’s representatives, and distributors. To find the office closest to you, visit us at [cypress.com/sales](http://cypress.com/sales).

**Products**

- PSoC [psoc.cypress.com](http://psoc.cypress.com)
- Clocks & Buffers [clocks.cypress.com](http://clocks.cypress.com)
- Wireless [wireless.cypress.com](http://wireless.cypress.com)
- Memories [memory.cypress.com](http://memory.cypress.com)
- Image Sensors [image.cypress.com](http://image.cypress.com)

**PSoC Solutions**

- General [psoc.cypress.com/solutions](http://psoc.cypress.com/solutions)
- Low Power/Low Voltage [psoc.cypress.com/low-power](http://psoc.cypress.com/low-power)
- Precision Analog [psoc.cypress.com/precision-analog](http://psoc.cypress.com/precision-analog)
- LCD Drive [psoc.cypress.com/lcd-drive](http://psoc.cypress.com/lcd-drive)
- CAN 2.0b [psoc.cypress.com/can](http://psoc.cypress.com/can)
- USB [psoc.cypress.com/usb](http://psoc.cypress.com/usb)

© Cypress Semiconductor Corporation, 2003-2008. The information contained herein is subject to change without notice. Cypress Semiconductor Corporation assumes no responsibility for the use of any circuitry other than circuitry embodied in a Cypress product. Nor does it convey or imply any license under patent or other rights. Cypress products are not warranted nor intended to be used for medical, life support, life saving, critical control or safety applications, unless pursuant to an express written agreement with Cypress. Furthermore, Cypress does not authorize its products for use as critical components in life-support systems where a malfunction or failure may reasonably be expected to result in significant injury to the user. The inclusion of Cypress products in life-support systems application implies that the manufacturer assumes all risk of such use and in doing so indemnifies Cypress against all charges.

Any Source Code (software and/or firmware) is owned by Cypress Semiconductor Corporation (Cypress) and is protected by and subject to worldwide patent protection (United States and foreign), United States copyright laws and international treaty provisions. Cypress hereby grants to licensee a personal, non-exclusive, non-transferable license to copy, use, modify, create derivative works of, and compile the Cypress Source Code and derivative works for the sole purpose of creating custom software and or firmware in support of licensee product to be used only in conjunction with a Cypress integrated circuit as specified in the applicable agreement. Any reproduction, modification, translation, compilation, or representation of this Source Code except as specified above is prohibited without the express written permission of Cypress.

Disclaimer: CYPRESS MAKES NO WARRANTY OF ANY KIND, EXPRESS OR IMPLIED, WITH REGARD TO THIS MATERIAL, INCLUDING, BUT NOT LIMITED TO, THE IMPLIED WARRANTIES OF MERCHANTABILITY AND FITNESS FOR A PARTICULAR PURPOSE. Cypress reserves the right to make changes without further notice to the materials described herein. Cypress does not assume any liability arising out of the application or use of any product or circuit described herein. Cypress does not authorize its products for use as critical components in life-support systems where a malfunction or failure may reasonably be expected to result in significant injury to the user. The inclusion of Cypress’ product in a life-support systems application implies that the manufacturer assumes all risk of such use and in doing so indemnifies Cypress against all charges.

Use may be limited by and subject to the applicable Cypress software license agreement.