

## 100LVEL11 3.3V ECL 1:2 Differential Fanout Buffer

### General Description

The 100LVEL11 is a low voltage 1:2 differential fanout buffer. One differential input signal is fanned out to two identical differential outputs. By supplying a constant reference level to one input pin a single ended input condition is created.

With inputs Open or both inputs at  $V_{EE}$ , the differential Q outputs default LOW and  $\bar{Q}$  outputs default HIGH.

The 100 series is temperature compensated.

### Features

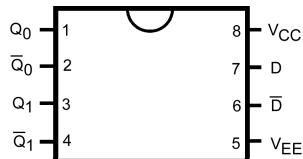
- Typical propagation delay of 330 ps
- Typical  $I_{EE}$  of 24 mA
- Typical skew of 5 ps between outputs
- Internal pull-down resistors on D
- Fairchild MSOP-8 package is a drop-in replacement to ON TSSOP-8
- Meets or exceeds JEDEC specification EIA/JESD78 IC latch-up tests
- Moisture Sensitivity Level 1
- ESD Performance:
  - Human Body Model > 2000V
  - Machine Model > 200V

### Ordering Code:

Order Number	Package Number	Product Code Top Mark	Package Description
100LVEL11M	M08A	KVL11	8-Lead Small Outline Integrated Circuit (SOIC), JEDEC MS-012, 0.150" Narrow
100LVEL11M8 (Preliminary)	MA08D	KV11	8-Lead Molded Small Outline Package (MSOP), JEDEC MO-187, 3.0mm Wide

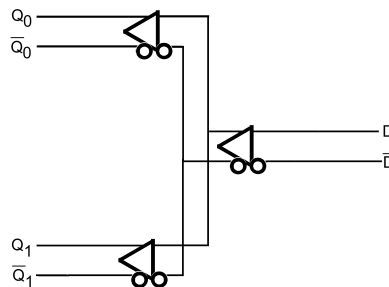
Devices also available in Tape and Reel. Specify by appending suffix letter "X" to the ordering code.

### Connection Diagram



Top View

### Logic Diagram



### Pin Descriptions

Pin Name	Description
$Q_0, \bar{Q}_0, Q_1, \bar{Q}_1$	ECL Data Outputs
$D, \bar{D}$	ECL Data Inputs
$V_{CC}$	Positive Supply
$V_{EE}$	Negative Supply

**Absolute Maximum Ratings**(Note 1)

PECL Supply Voltage ( $V_{CC}$ ) $V_{EE} = 0V$	0.0V to +8.0V
NECL Supply Voltage ( $V_{EE}$ ) $V_{CC} = 0V$	0.0V to -8.0V
PECL DC Input Voltage ( $V_I$ ) $V_{EE} = 0V$	0.0V to +6.0V
NECL DC Input Voltage ( $V_I$ ) $V_{CC} = 0V$	0.0V to -6.0V
DC Output Current ( $I_{OUT}$ )	
Continuous	50 mA
Surge	100 mA
Storage Temperature ( $T_{STG}$ )	-65°C to +150°C

**Recommended Operating Conditions**

PECL Power Supply Operating ( $V_{EE} = 0V$ )	$V_{CC} = 3.0V$ to $3.8V$
NECL Power Supply Operating ( $V_{CC} = 0V$ )	$V_{EE} = -3.8V$ to $-3.0V$
Free Air Operating Temperature ( $T_A$ )	-40°C to +85°C

**Note 1:** The "Absolute Maximum Ratings" are those values beyond which the safety of the device cannot be guaranteed. The device should not be operated at these limits. The parametric values defined in the Electrical Characteristics tables are not guaranteed at the absolute maximum rating. The "Recommended Operating Conditions" table will define the conditions for actual device operation.

**LVPECL DC Electrical Characteristics**  $V_{CC} = 3.3V$ ;  $V_{EE} = 0.0V$  (Note 2)

Symbol	Parameter	-40°C			25°C			85°C			Units
		Min	Typ	Max	Min	Typ	Max	Min	Typ	Max	
$I_{EE}$	Power Supply Current		24	28		24	28		25	30	mA
$V_{OH}$	Output HIGH Voltage (Note 3)	2215	2295	2420	2275	2345	2420	2275	2345	2420	mV
$V_{OL}$	Output LOW Voltage (Note 3)	1470	1605	1745	1490	1595	1680	1490	1595	1680	mV
$V_{IH}$	Input HIGH Voltage (Single Ended)	2135		2420	2135		2420	2135		2420	mV
$V_{IL}$	Input LOW Voltage (Single Ended)	1490		1825	1490		1825	1490		1825	mV
$V_{IHCMR}$	Input HIGH Voltage Common Mode Range (Differential) (Note 4)										V
	$V_{PP} < 500mV$	1.2		3.1	1.1		3.1	1.1		3.1	
	$V_{PP} \geq 500mV$	1.4		3.1	1.3		3.1	1.3		3.1	
$I_{IH}$	Input HIGH Current (Note 5)			150			150			150	$\mu A$
$I_{IL}$	Input LOW Current (Note 5)	$\overline{D}$	0.5		$\overline{D}$	0.5		$\overline{D}$	0.5		$\mu A$
		$\overline{D}$	-600		$\overline{D}$	-600		$\overline{D}$	-600		

**Note 2:** Input and output parameters vary 1 to 1 with  $V_{CC}$ .  $V_{EE}$  can vary  $\pm 0.3V$ .

**Note 3:** Outputs are terminated through a 50 $\Omega$  Resistor to  $V_{CC} - 2.0V$ .

**Note 4:**  $V_{IHCMR}$  minimum varies 1 to 1 with  $V_{EE}$ .  $V_{IHCMR}$  maximum varies 1-to-1 with  $V_{CC}$ . The  $V_{IHCMR}$  range is referenced to the most positive side of the differential input signal. Normal operation is obtained if the HIGH level falls within the specified range and the peak-to-peak voltage lies between  $V_{PPMIN}$  and 1V.

**Note 5:** Absolute value of the input HIGH and LOW current should not exceed the absolute value of the stated Min or Max specification.

**Note:** Devices are designed to meet the DC specifications after thermal equilibrium has been established. Circuit is tested with air flow greater than 500LFPM maintained.

LVNECL DC Electrical Characteristics $V_{CC} = 0.0V$ ; $V_{EE} = -3.3V$ (Note 6)											
Symbol	Parameter	-40°C			25°C			85°C			Units
		Min	Typ	Max	Min	Typ	Max	Min	Typ	Max	
$I_{EE}$	Power Supply Current		24	28		24	28		25	30	mA
$V_{OH}$	Output HIGH Voltage (Note 7)	-1085	-1005	-880	-1025	-955	-880	-1025	-955	-880	mV
$V_{OL}$	Output LOW Voltage (Note 7)	-1830	-1695	-1555	-1810	-1705	-1620	-1810	-1705	-1620	mV
$V_{IH}$	Input HIGH Voltage (Single Ended)	-1165		-880	-1165		-880	-1165		-880	mV
$V_{IL}$	Input LOW Voltage (Single Ended)	-1810		-1475	-1810		-1475	-1810		-1475	mV
$V_{IHCMR}$	Input HIGH Voltage Common Mode Range (Differential) (Note 8)										V
	$V_{PP} < 500mV$	-2.1		-0.2	-2.2		-0.2	-2.2		-0.2	
	$V_{PP} \geq 500mV$	-1.9		-0.2	-2.0		-0.2	-2.0		-0.2	
$I_{IH}$	Input HIGH Current (Note 9)			150			150			150	$\mu A$
$I_{IL}$	Input LOW Current (Note 9)	$\overline{D}$	0.5		0.5			0.5			$\mu A$
	$D$		-600				-600			-600	

**Note 6:** Input and output parameters vary 1 to 1 with  $V_{CC}$ .  $V_{EE}$  can vary  $\pm 0.3V$ .

**Note 7:** Outputs are terminated through a 50 $\Omega$  Resistor to  $V_{CC} - 2.0V$ .

**Note 8:**  $V_{IHCMR}$  minimum varies 1-to-1 with  $V_{EE}$ .  $V_{IHCMR}$  maximum varies 1 to 1 with  $V_{CC}$ . The  $V_{IHCMR}$  range is referenced to the most positive side of the differential input signal. Normal operation is obtained if the HIGH level falls within the specified range and the peak-to-peak voltage lies between  $V_{PPMIN}$  and 1V.

**Note 9:** Absolute value of the input HIGH and LOW current should not exceed the absolute value of the stated Min or Max specification.

**Note:** Devices are designed to meet the DC specifications after thermal equilibrium has been established. Circuit is tested with air flow greater than 500LFPM maintained.

AC Electrical Characteristics $V_{CC} = 3.3V$ ; $V_{EE} = 0.0V$ or $V_{CC} = 0.0V$ ; $V_{EE} = -3.3V$ (Note 10)(Note 11)												
Symbol	Parameter	-40°C			25°C			85°C			Units	Figure Number
		Min	Typ	Max	Min	Typ	Max	Min	Typ	Max		
$f_{MAX}$	Maximum Toggle Frequency	1			1			1			GHz	
$t_{PLH}, t_{PHL}$	Propagation Delay to Output	215		385	235	330	405	250		435	ps	Figure 1
$t_{SKEW}$	Within Device Skew (Note 12)		5	20		5	20		5	20	ps	
	Duty Cycle Skew (Note 13)		5	20		5	20		5	20		
$t_{JITTER}$	Cycle-to-Cycle Jitter		TBD			TBD			TBD			
$V_{PP}$	Input Swing	200		1000	200		1000	200		1000	mV	Figure 1
$t_r, t_f$	Output Rise Times Q (20% to 80%)	120		320	120		320	120		320	ps	Figure 2

**Note 10:**  $V_{EE}$  can vary  $\pm 0.3V$ .

**Note 11:** Measured using a 750 mV input swing centered at  $V_{CC} - 1.32V$ ; 50% duty cycle clock source;  $t_r = t_f = 250$  ps (20% - 80%) at  $f_{IN} = 1$  MHz. All loading with 50 $\Omega$  to  $V_{CC} - 2.0V$ .

**Note 12:** Within-device skew defined as identical transitions on similar paths through a device.

**Note 13:** Duty cycle skew is the difference between a  $t_{PLH}$  and  $t_{PHL}$  propagation delay through a device under identical conditions.

### Switching Waveforms

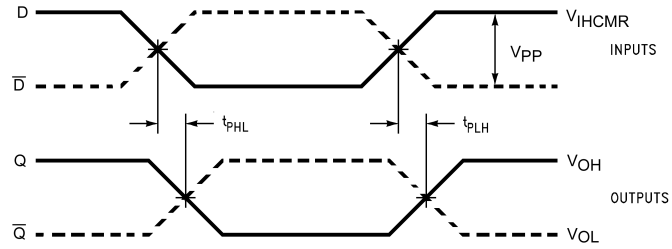


FIGURE 1. Differential to Differential Propagation Delay

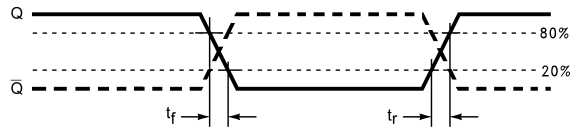
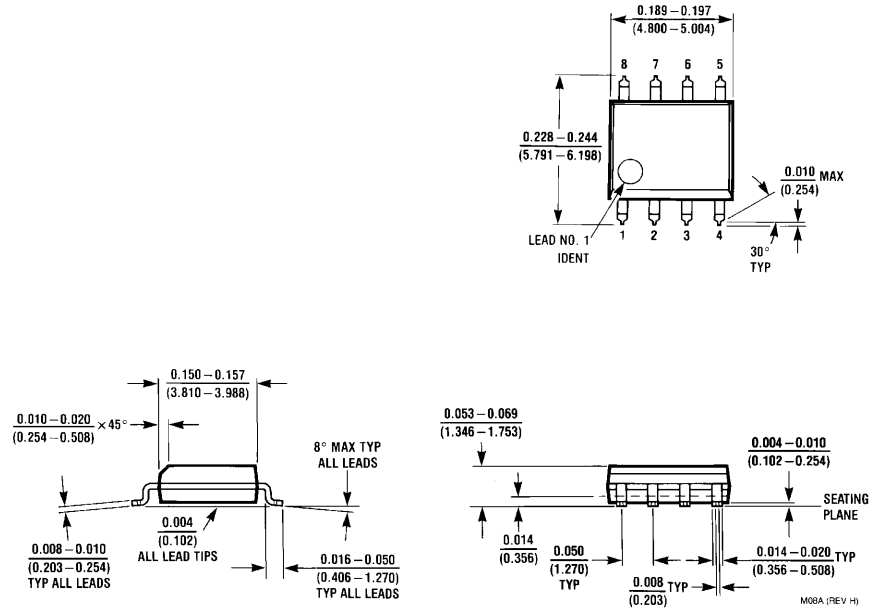


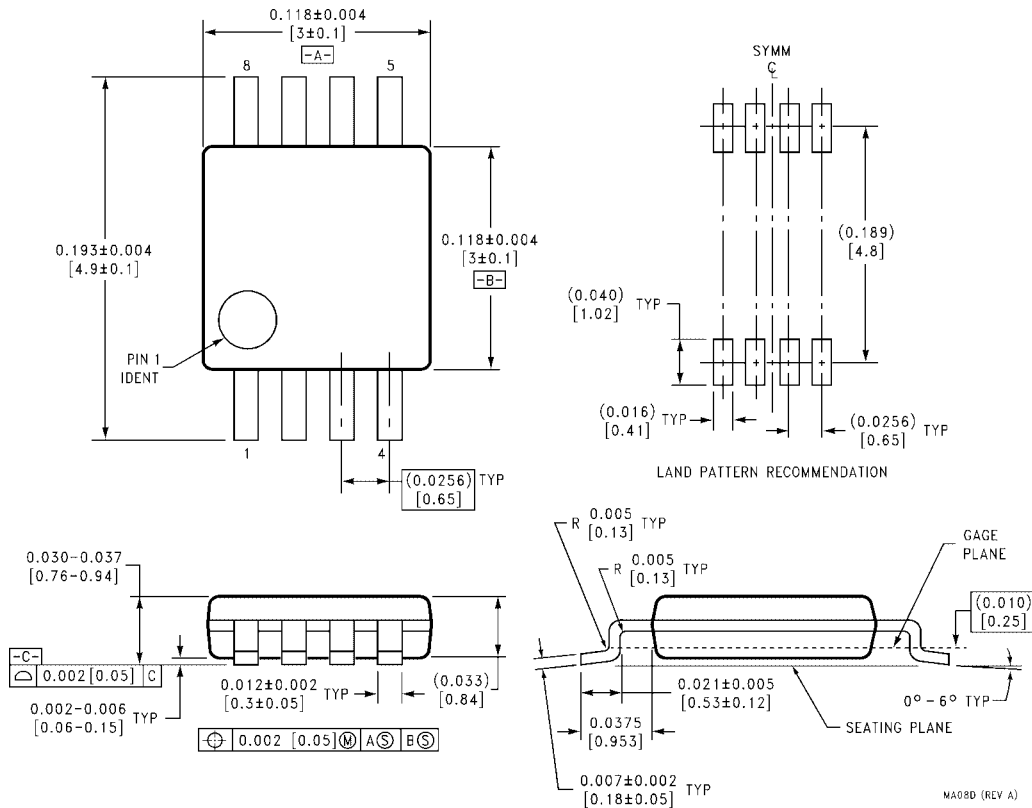
FIGURE 2. Differential Output Edge Rates

**Physical Dimensions** inches (millimeters) unless otherwise noted



**8-Lead Small Outline Integrated Circuit (SOIC), JEDEC MS-012, 0.150" Narrow  
Package Number M08A**

**Physical Dimensions** inches (millimeters) unless otherwise noted (Continued)



**8-Lead Molded Small Outline Package (MSOP), JEDEC MO-187, 3.0mm Wide  
Package Number MA08D**

Fairchild does not assume any responsibility for use of any circuitry described, no circuit patent licenses are implied and Fairchild reserves the right at any time without notice to change said circuitry and specifications.

**LIFE SUPPORT POLICY**

FAIRCHILD'S PRODUCTS ARE NOT AUTHORIZED FOR USE AS CRITICAL COMPONENTS IN LIFE SUPPORT DEVICES OR SYSTEMS WITHOUT THE EXPRESS WRITTEN APPROVAL OF THE PRESIDENT OF FAIRCHILD SEMICONDUCTOR CORPORATION. As used herein:

1. Life support devices or systems are devices or systems which, (a) are intended for surgical implant into the body, or (b) support or sustain life, and (c) whose failure to perform when properly used in accordance with instructions for use provided in the labeling, can be reasonably expected to result in a significant injury to the user.
2. A critical component in any component of a life support device or system whose failure to perform can be reasonably expected to cause the failure of the life support device or system, or to affect its safety or effectiveness.

[www.fairchildsemi.com](http://www.fairchildsemi.com)