

NBSG111

2.5V/3.3V SiGe Differential 1:10 Clock/Data Driver with RSECL* Outputs

*Reduced Swing ECL

Description

The NBSG111 is a 1-to-10 differential clock/data driver. The device is functionally equivalent to the LVEP111 device with much higher bandwidth and lower EMI capabilities.

Inputs incorporate internal 50 Ω termination resistors (input to VT pad) and accept NECL (Negative ECL), PECL (Positive ECL), LVTTTL, LVCMOS, CML, or LVDS. Outputs are RSECL (Reduced Swing ECL), 400 mV.

The $Q[0:9]$ / $\overline{Q}[0:9]$ outputs have a differential synchronous enable (EN/\overline{EN}) pin. The synchronous enable pin is used to avoid a runt clock pulse when the device is enabled/disabled as can happen with an asynchronous control. The internal flip flop is clocked on the falling edge of selected clock ($CLK0/\overline{CLK0}$ or $CLK1/\overline{CLK1}$), therefore all associated specification limits are referenced to the negative edge of the selected clock input.

The V_{BB} and V_{MM} pins are internally generated voltage supplies available to this device only. The V_{BB} is used for single-ended NECL or PECL inputs and the V_{MM} pin is used for LVCMOS inputs. For single-ended input operation, the unused differential input is connected to V_{BB} or V_{MM} as a switching reference voltage. V_{BB} or V_{MM} may also rebias AC coupled inputs. When used, decouple V_{BB} and V_{MM} via a 0.01 μ F capacitor and limit current sourcing or sinking to 0.5 mA. When not used, V_{BB} and V_{MM} outputs should be left open.

Features

- Maximum Input Clock Frequency > 6 GHz Typical
- Maximum Input Data Rate > 6 Gb/s Typical
- 300 ps Typical Propagation Delay
- 60 ps Typical Rise and Fall Times
- RSPECL Output with Operating Range: $V_{CC} = 2.375$ V to 3.465 V with $V_{EE} = 0$ V
- RSNECL Output with RSNECL or NECL Inputs with Operating Range: $V_{CC} = 0$ V with $V_{EE} = -2.375$ V to -3.465 V
- RSECL Output Level (400 mV Peak-to-Peak Output), Differential Output
- 50 Ω Internal Input Termination Resistors
- Compatible with Existing 2.5 V/3.3 V LVEP and EP Devices
- V_{BB} and V_{MM} Reference Voltage Output
- Pb-Free Package is Available*

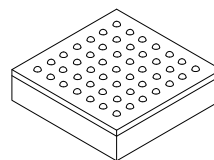
*For additional information on our Pb-Free strategy and soldering details, please download the ON Semiconductor Soldering and Mounting Techniques Reference Manual, SOLDERRM/D.



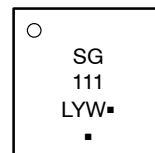
ON Semiconductor®

<http://onsemi.com>

MARKING DIAGRAM*



FCBGA-49
BA SUFFIX
CASE 489A



SG111 = Device Code
L = Wafer Lot
Y = Year
W = Work Week
■ = Pb-Free Package

(Note: Microdot may be in either location)

*For further details, refer to Application Note AND8002/D

ORDERING INFORMATION

See detailed ordering and shipping information in the package dimensions section on page 10 of this data sheet.

NBSG111

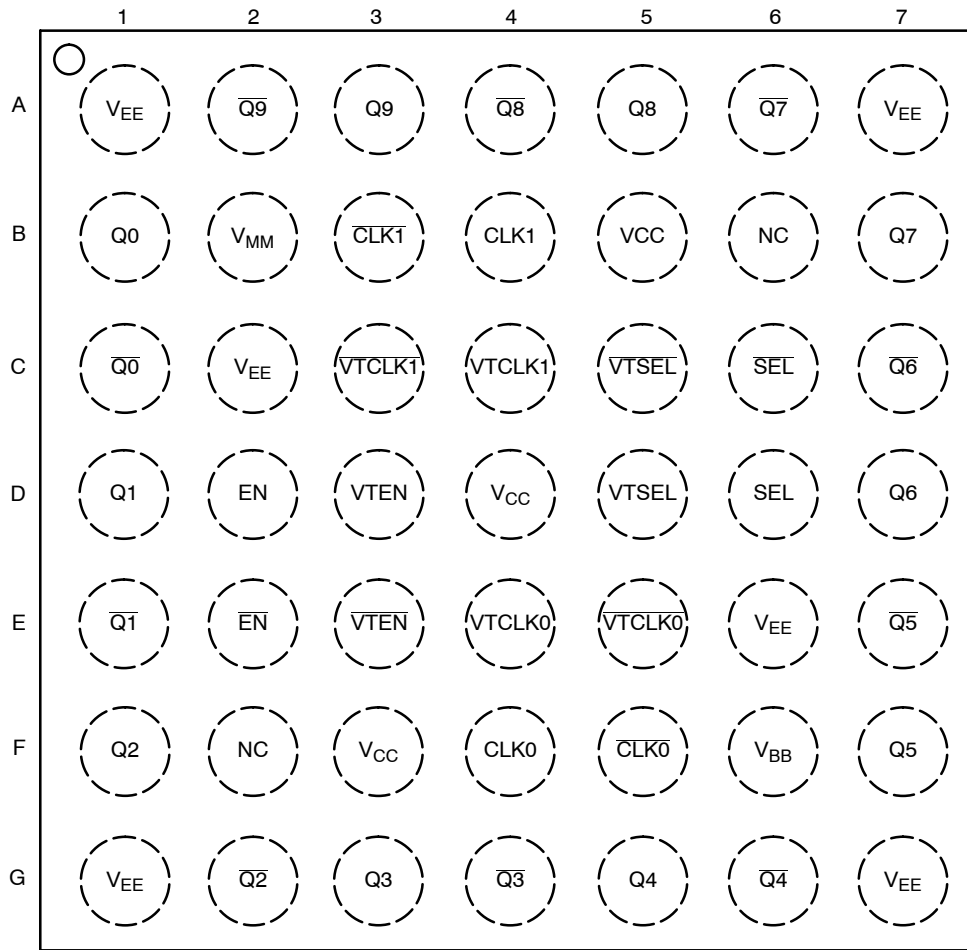


Figure 1. BGA-49 Pinout (Top View)

Table 1. PIN DESCRIPTION

Pin	Name	I/O	Description
A1,A7,G1,G7,C2,E6	V_{EE}	-	Negative Supply Voltage. All V_{EE} Pins Must be Externally Connected to Power Supply to Guarantee Proper Operation.
F3,D4,B5	V_{CC}	-	Positive Supply Voltage. All V_{CC} Pins Must be Externally Connected to Power Supply to Guarantee Proper Operation.
B2	V_{MM}	-	LVC MOS Reference Voltage Output $(V_{CC} - V_{EE}) / 2$.
F6	V_{BB}	-	ECL Reference Voltage Output
E4	$\overline{VTCLK0}$	-	Internal 50 Ω Termination Pin for CLK0. See Table 4. (Note 1)
F4	CLK0	ECL, CML, LVCMOS, LVDS, LVTTTL Input	Noninverted Differential Input CLK0. Internal 75 k Ω to V_{EE} .
E5	$\overline{VTCLK0}$	-	Internal 50 Ω Termination Pin for $\overline{CLK0}$. See Table 4. (Note 1)
F5	$\overline{CLK0}$	ECL, CML, LVCMOS, LVDS, LVTTTL Input	Inverted Differential Input $\overline{CLK0}$. Internal 75 k Ω to V_{EE} and 36.5 k Ω to V_{CC} .
C4	$\overline{VTCLK1}$	-	Internal 50 Ω Termination Pin 1. See Table 4. (Note 1)
B4	CLK1	ECL, CML, LVCMOS, LVDS, LVTTTL Input	Noninverted Differential Input CLK1. Internal 75 k Ω to V_{EE} .
C3	$\overline{VTCLK1}$	-	Internal 50 Ω Termination Pin for $\overline{CLK1}$. See Table 4. (Note 1)
B3	$\overline{CLK1}$	ECL, CML, LVCMOS, LVDS, LVTTTL Input	Inverted Differential Input $\overline{CLK1}$. Internal 75 k Ω to V_{EE} and 36.5 k Ω to V_{CC} .
B1,D1,F1,G3,G5,F7,D7,B7,A5,A3	Q[0:9]	RSECL Output	Noninverted Differential Outputs [0:9]. Typically Terminated with 50 Ω to $V_{TT} = V_{CC} - 1.5 V$
C1,E1,G2,G4,G6,E7,C7,A6,A4,A2	\overline{Q} [0:9]	RSECL Output	Inverted Differential Outputs [0:9]. Typically Terminated with 50 Ω to $V_{TT} = V_{CC} - 1.5 V$
D5	VTSEL	-	Internal 50 Ω Termination Pin for SEL. See Table 4. (Note 1)
D6	SEL	ECL, CML, LVCMOS, LVDS, LVTTTL Input	Noninverted Differential Select Logic Input. Internal 75 k Ω to V_{EE} .
C5	\overline{VTSEL}	-	Internal 50 Ω Termination Pin for SEL. See Table 4. (Note 1)
C6	\overline{SEL}	ECL, CML, LVCMOS, LVDS, LVTTTL Input	Inverted Differential Select Logic Input. Internal 75 k Ω to V_{EE} and 36.5 k Ω to V_{CC} .
D3	VTEN	-	Internal 50 Ω Termination Pin for EN. See Table 4. (Note 1)
D2	EN	ECL, CML, LVCMOS, LVDS, LVTTTL Input	Noninverted Differential Output Enable Pin. Internal 75 k Ω to V_{EE} .
E3	\overline{VTEN}	-	Internal 50 Ω termination Pin for \overline{EN} . See Table 4. (Note 1)
E2	\overline{EN}	ECL, CML, LVCMOS, LVDS, LVTTTL Input	Inverted Differential Output Enable Pin. Internal 75 k Ω to V_{EE} and 36.5 k Ω to V_{CC} .
F2,B6	NC	-	No Connect. The NC Pins are Electrically Connected to the Die and "MUST BE" Left Open.

1. In the differential configuration when the input termination pins (\overline{VTCLK} , \overline{VTCLK}) are connected to a common termination voltage and if no signal is applied, then the device will be susceptible to self-oscillation.

NBSG111

Table 2. FUNCTION TABLE

SEL	EN	Active Input
L	L	Disabled Outputs
L	H	CLK0, $\overline{\text{CLK0}}$
H	L	Disabled Outputs
H	H	CLK1, $\overline{\text{CLK1}}$

2. $\overline{\text{SEL}}/\overline{\text{EN}}$ are the inverse of SEL/EN unless specified otherwise.

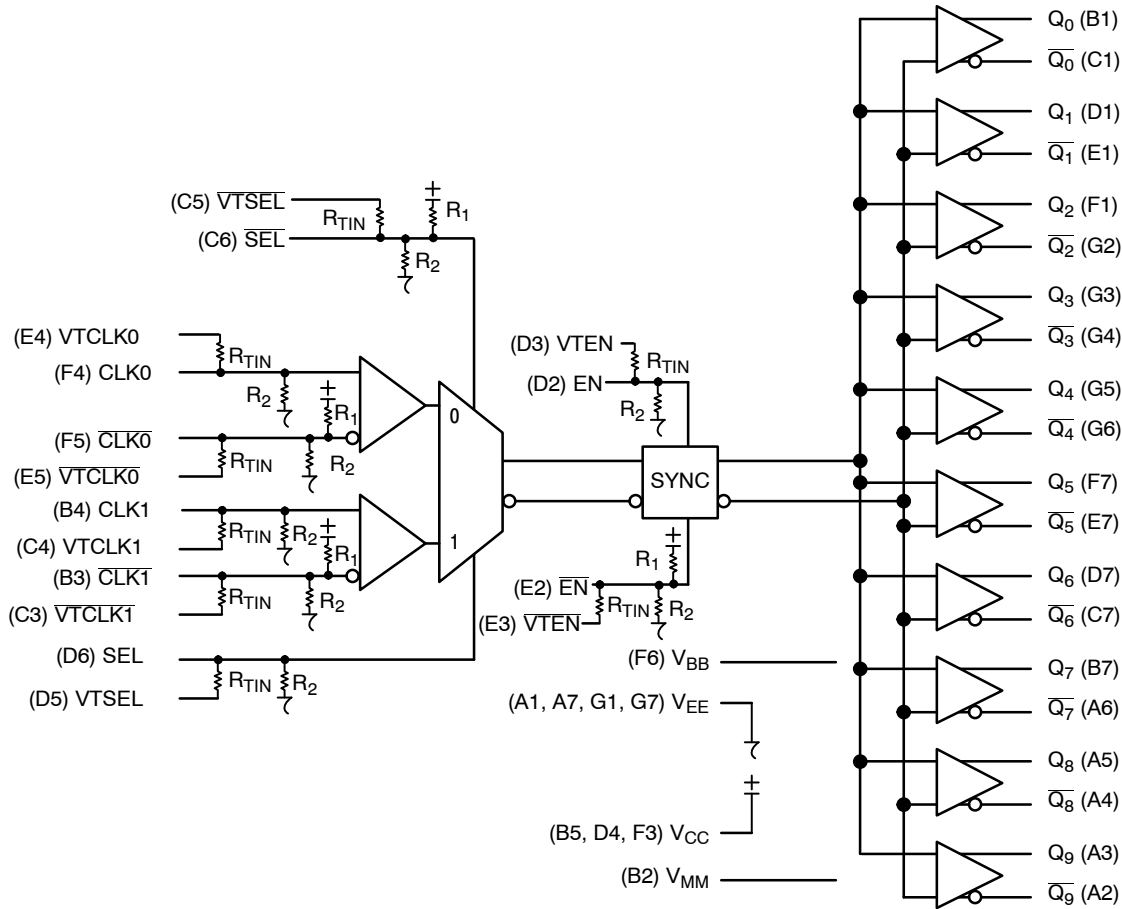


Figure 2. Logic Diagram

Table 3. INTERFACING OPTIONS

INTERFACING OPTIONS	CONNECTIONS
CML	Connect VTCLK0, VTCLK1, VTEN, VTSEL and VTCLK0, VTCLK1, VTEN, VTSEL to V_{CC}
LVDS	Connect VTCLK0, VTCLK1, VTEN, VTSEL and VTCLK0, VTCLK1, VTEN, VTSEL Together
AC-COUPLED	Bias VTCLK0, VTCLK1, VTEN, VTSEL and VTCLK0, VTCLK1, VTEN, VTSEL Inputs within Common Mode Range (V_{IHCMR})
RSECL, PECL, NECL	Standard ECL Termination Techniques
LVTTL, LVCMOS	See Text on Page 1. Unused Differential Input Switching Voltage Reference Range is from $V_{EE} + 1125 \text{ mV}$ to $V_{CC} - 75 \text{ mV}$

NBSG111

Table 4. ATTRIBUTES

Characteristics	Value
Internal Input Pulldown Resistor, R2 (CLK0, $\overline{\text{CLK0}}$, CLK1, $\overline{\text{CLK1}}$, SEL, $\overline{\text{SEL}}$, EN, $\overline{\text{EN}}$)	75 k Ω
Internal Input Pullup Resistor, R1 ($\overline{\text{CLK0}}$, $\overline{\text{CLK1}}$, $\overline{\text{SEL}}$, $\overline{\text{EN}}$)	36.5 k Ω
ESD Protection	Human Body Model Machine Model Charged Device Model
	> 2 kV > 100 V > 1 kV
Moisture Sensitivity (Note 3)	Level 3
Flammability Rating	Oxygen Index: 28 to 34
	UL 94 V-0 @ 0.125 in
Transistor Count	479
Meets or exceeds JEDEC Spec EIA/JESD78 IC Latchup Test	

3. For additional information, see Application Note AND8003/D.

Table 5. MAXIMUM RATINGS

Symbol	Parameter	Condition 1	Condition 2	Rating	Units
V _{CC}	Positive Power Supply	V _{EE} = 0 V		3.6	V
V _I	Positive Input Negative Input	V _{EE} = 0 V V _{CC} = 0 V	V _I ≤ V _{CC} V _I ≥ V _{EE}	3.6 -3.6	V V
V _{EE}	Negative Power Supply	V _{CC} = 0 V		-3.6	V
V _{INPP}	Differential Input Voltage CLK - $\overline{\text{CLK}}$	V _{CC} - V _{EE} ≥ 2.8 V V _{CC} - V _{EE} < 2.8 V		2.8 V _{CC} - V _{EE}	V V
I _{OUT}	Output Current	Continuous Surge		25 50	mA mA
I _{IN}	Input Current Through R _T (50 Ω Resistor)	Static Surge		45 80	mA mA
I _{BB}	V _{BB} Sink/Source			1	mA
I _{MM}	V _{MM} Sink/Source			1	mA
T _A	Operating Temperature Range			-40 to +70	°C
T _{stg}	Storage Temperature Range			-65 to +150	°C
θ_{JA}	Thermal Resistance (Junction-to-Ambient) (Note 4)	0 LFPM 500 LFPM	49 FCBGA 49 FCBGA	67 57	°C/W °C/W
θ_{JC}	Thermal Resistance (Junction-to-Case)	2S2P (Note 4)	49 FCBGA	2 to 4	°C/W
T _{sol}	Wave Solder	< 15 sec.		225	°C

Stresses exceeding Maximum Ratings may damage the device. Maximum Ratings are stress ratings only. Functional operation above the Recommended Operating Conditions is not implied. Extended exposure to stresses above the Recommended Operating Conditions may affect device reliability.

4. JEDEC standard 51-6, multilayer board - 2S2P (2 signal, 2 power).

NBSG111

Table 6. DC CHARACTERISTICS, INPUT WITH RSPECL OUTPUT $V_{CC} = 2.5\text{ V}$; $V_{EE} = 0\text{ V}$ (Note 5)

Symbol	Characteristic	-40°C			25°C			70°C			Unit
		Min	Typ	Max	Min	Typ	Max	Min	Typ	Max	
I_{EE}	Negative Power Supply Current	70	85	110	70	85	110	70	85	110	mA
V_{OH}	Output HIGH Voltage (Note 6)	1365	1520	1615	1410	1530	1660	1435	1560	1685	mV
V_{OUTPP}	Output Voltage Amplitude	305	420	545	305	420	545	305	420	545	mV
V_{IH}	Input HIGH Voltage (Single-Ended) (Notes 8 and 9)	$V_{THR} + 75$	$V_{CC} - 1000^*$	V_{CC}	$V_{THR} + 75$	$V_{CC} - 1000^*$	V_{CC}	$V_{THR} + 75$	$V_{CC} - 1000^*$	V_{CC}	mV
V_{IL}	Input LOW Voltage (Single-Ended) (Notes 8 and 10)	$V_{IH} - 2500$	$V_{CC} - 1400^*$	$V_{THR} - 75$	$V_{IH} - 2500$	$V_{CC} - 1400^*$	$V_{THR} - 75$	$V_{IH} - 2500$	$V_{CC} - 1400^*$	$V_{THR} - 75$	mV
V_{BB}	PECL Output Voltage Reference	1025	1100	1265	1025	1100	1265	1025	1100	1265	mV
V_{IHCMR}	Input HIGH Voltage Common Mode Range (Differential Configuration) (Note 7)	1.2		2.5	1.2		2.5	1.2		2.5	V
V_{MM}	LVC MOS Output Voltage Reference (@ 2.5 V_{CC})	1050	1250	1450	1050	1250	1450	1050	1250	1450	mV
R_{TIN}	Internal Input Termination Resistor	45	50	55	45	50	55	45	50	55	Ω
I_{IH}	Input HIGH Current (@ V_{IH})		30	100		30	100		30	100	μA
I_{IL}	Input LOW Current (@ V_{IL})		25	100		25	100		25	100	μA

NOTE: Device will meet the specifications after thermal equilibrium has been established when mounted in a test socket or printed circuit board with maintained transverse airflow greater than 500 lfm. Electrical parameters are guaranteed only over the declared operating temperature range. Functional operation of the device exceeding these conditions is not implied. Device specification limit values are applied individually under normal operating conditions and not valid simultaneously.

NBSG111

Table 7. DC CHARACTERISTICS, INPUT WITH RSPECL OUTPUT $V_{CC} = 3.3\text{ V}$; $V_{EE} = 0\text{ V}$ (Note 11)

Symbol	Characteristic	-40°C			25°C			70°C			Unit
		Min	Typ	Max	Min	Typ	Max	Min	Typ	Max	
I_{EE}	Negative Power Supply Current	70	85	110	70	85	110	70	85	110	mA
V_{OH}	Output HIGH Voltage (Note 6)	2165	2320	2415	2210	2330	2460	2235	2360	2485	mV
V_{OUTPP}	Output Voltage Amplitude	305	420	545	305	420	545	305	420	545	mV
V_{IH}	Input HIGH Voltage (Single-Ended) (Notes 8 and 9)	$V_{THR} + 75$	$V_{CC} - 1000^*$	V_{CC}	$V_{THR} + 75$	$V_{CC} - 1000^*$	V_{CC}	$V_{THR} + 75$	$V_{CC} - 1000^*$	V_{CC}	mV
V_{IL}	Input LOW Voltage (Single-Ended) (Notes 8 and 10)	$V_{IH} - 2500$	$V_{CC} - 1400^*$	$V_{THR} - 75$	$V_{IH} - 2500$	$V_{CC} - 1400^*$	$V_{THR} - 75$	$V_{IH} - 2500$	$V_{CC} - 1400^*$	$V_{THR} - 75$	mV
V_{BB}	PECL Output Voltage Reference	1825	1900	2065	1825	1900	2065	1825	1900	2065	mV
V_{IHCMR}	Input HIGH Voltage Common Mode Range (Differential Configuration) (Note 7)	1.2		3.3	1.2		3.3	1.2		3.3	V
V_{MM}	LVC MOS Output Voltage Reference (@ 3.3 V_{CC})	1450	1650	1850	1450	1650	1850	1450	1650	1850	mV
R_{TIN}	Internal Input Termination Resistor	45	50	55	45	50	55	45	50	55	Ω
I_{IH}	Input HIGH Current (@ V_{IH})		30	100		30	100		30	100	μA
I_{IL}	Input LOW Current (@ V_{IL})		25	100		25	100		25	100	μA

NOTE: Device will meet the specifications after thermal equilibrium has been established when mounted in a test socket or printed circuit board with maintained transverse airflow greater than 500 lfm. Electrical parameters are guaranteed only over the declared operating temperature range. Functional operation of the device exceeding these conditions is not implied. Device specification limit values are applied individually under normal operating conditions and not valid simultaneously.

5. Input and output parameters vary 1:1 with V_{CC} . V_{EE} can vary +0.125 V to -0.965 V. V_{MM} varies $(V_{CC} - V_{EE}) / 2$ with V_{CC} and V_{EE} .
 6. All outputs loaded with 50 Ω to $V_{CC} - 1.5\text{ V}$. V_{OH}/V_{OL} measured at V_{IH}/V_{IL} (Typical).
 7. V_{IHCMR} min varies 1:1 with V_{EE} , V_{IHCMR} max varies 1:1 with V_{CC} . The V_{IHCMR} range is referenced to the most positive side of the differential input signal.
 8. V_{THR} is the voltage applied to the complementary input, typically V_{BB} or V_{MM} . $V_{THR(MIN)} = V_{IHCMR} + 75\text{ mV}$. $V_{THR(MAX)} = V_{IHCMR} - 75\text{ mV}$.
 9. V_{IH} cannot exceed V_{CC} .
 10. V_{IL} always $\geq V_{EE}$.
 11. Input and output parameters vary 1:1 with V_{CC} . V_{EE} can vary +0.925 V to -0.165 V. V_{MM} varies $(V_{CC} - V_{EE}) / 2$ with V_{CC} and V_{EE} .
- *Typicals used for testing purposes.

NBSG111

Table 8. DC CHARACTERISTICS, NECL OR RSNECL INPUT WITH NECL OUTPUT

$V_{CC} = 0\text{ V}$; $V_{EE} = -3.465\text{ V}$ to -2.375 V (Note 12)

Symbol	Characteristic	-40°C			25°C			70°C			Unit
		Min	Typ	Max	Min	Typ	Max	Min	Typ	Max	
I_{EE}	Negative Power Supply Current	70	85	110	70	85	110	70	85	110	mA
V_{OH}	Output HIGH Voltage (Note 13)	-1135	-980	-885	-1090	-970	-840	-1065	-940	-815	mV
V_{OUTPP}	Output Voltage Amplitude	305	420	545	305	420	545	305	420	545	mV
V_{IH}	Input HIGH Voltage (Single-Ended) (Notes 15 and 16)	$V_{THR} + 75$	$V_{CC} - 1000^*$	V_{CC}	$V_{THR} + 75$	$V_{CC} - 1000^*$	V_{CC}	$V_{THR} + 75$	$V_{CC} - 1000^*$	V_{CC}	mV
V_{IL}	Input LOW Voltage (Single-Ended) (Notes 15 and 17)	$V_{IH} - 2500$	$V_{CC} - 1400^*$	$V_{THR} - 75$	$V_{IH} - 2500$	$V_{CC} - 1400^*$	$V_{THR} - 75$	$V_{IH} - 2500$	$V_{CC} - 1400^*$	$V_{THR} - 75$	mV
V_{BB}	NECL Output Voltage Reference	-1475	-1400	-1235	-1475	-1400	-1235	-1475	-1400	-1235	mV
V_{IHCMR}	Input HIGH Voltage Common Mode Range (Differential Configuration) (Note 14)	$V_{EE}+1.2$		0.0	$V_{EE}+1.2$		0.0	$V_{EE}+1.2$		0.0	V
V_{MM}	LVC MOS Output Voltage Reference (@ -2.5 V_{EE}) (@ -3.3 V_{EE})	-1450 -1850	-1250 -1650	-1050 -1450	-1450 -1850	-1250 -1650	-1050 -1450	-1450 -1850	-1250 -1650	-1050 -1450	mV
R_{TIN}	Internal Input Termination Resistor	45	50	55	45	50	55	45	50	55	Ω
I_{IH}	Input HIGH Current (@ V_{IH})		30	100		30	100		30	100	μA
I_{IL}	Input LOW Current (@ V_{IL})		25	100		25	100		25	100	μA

NOTE: Device will meet the specifications after thermal equilibrium has been established when mounted in a test socket or printed circuit board with maintained transverse airflow greater than 500 lpm. Electrical parameters are guaranteed only over the declared operating temperature range. Functional operation of the device exceeding these conditions is not implied. Device specification limit values are applied individually under normal operating conditions and not valid simultaneously.

12. Input and output parameters vary 1:1 with V_{CC} .

13. All outputs loaded with 50 Ω to $V_{CC} - 1.5\text{ V}$. V_{OH}/V_{OL} measured at V_{IH}/V_{IL} (Typical).

14. V_{IHCMR} min varies 1:1 with V_{EE} ; V_{IHCMR} max varies 1:1 with V_{CC} . The V_{IHCMR} range is referenced to the most positive side of the differential input signal.

15. V_{THR} is the voltage applied to the complementary input, typically V_{BB} or V_{MM} . $V_{THR(MIN)} = V_{IHCMR} + 75\text{ mV}$. $V_{THR(MAX)} = V_{IHCMR} - 75\text{ mV}$.

16. V_{IH} cannot exceed V_{CC} .

17. V_{IL} always $\geq V_{EE}$.

*Typicals used for testing purposes.

NBSG111

Table 9. AC CHARACTERISTICS $V_{CC} = 0\text{ V}$; $V_{EE} = -3.465\text{ V}$ to -2.375 V or $V_{CC} = 2.375\text{ V}$ to 3.465 V ; $V_{EE} = 0\text{ V}$

Symbol	Characteristic	-40°C			25°C			70°C			Unit
		Min	Typ	Max	Min	Typ	Max	Min	Typ	Max	
V_{OUTPP}	Output Voltage Amplitude (See Figure 3) (Note 18) $f_{in} < 3\text{ GHz}$ $f_{in} = 5.5\text{ GHz}$	305 180	420 250		305 150	420 220		305 100	420 200		mV
t_{PLH} , t_{PHL}	Propagation Delay to Output Differential Output Enable Clock Select	250 430 400	300 550 450	350 700 500	250 430 400	300 550 450	350 700 500	250 430 400	300 600 480	350 750 550	ps
t_{SKEW}	Duty Cycle Skew (Note 19) Within-Device Skew (Note 20) Device-to-Device Skew (Note 21)		2 5 15	15 20 85		2 5 15	15 20 85		2 5 15	15 20 85	ps
t_S	Setup Time to CLK (EN to Selected CLK0:1)	110	70		110	70		115	80		ps
t_H	Hold Time (EN to Selected CLK0:1)	110	70		110	70		115	80		ps
t_{JITTER}	RMS Random Clock Jitter(Figure 3) (Note 23) Peak-to-Peak Data Dependent Jitter (Note 24) $f_{in} = 5\text{ GHz}$ $f_{in} = 5\text{ Gb/s}$		0.5	2.0		0.5 14	2.0		0.5	2.0	ps
V_{INPP}	Input Voltage Swing/Sensitivity (Differential Configuration) (Note 22)	75		2600	75		2600	75		2600	mV
t_r t_f	Output Rise/Fall Times (20% - 80%) @ 1 GHz Q, \bar{Q}	40	60	80	40	60	80	40	60	80	ps

NOTE: Device will meet the specifications after thermal equilibrium has been established when mounted in a test socket or printed circuit board with maintained transverse airflow greater than 500 lfm. Electrical parameters are guaranteed only over the declared operating temperature range. Functional operation of the device exceeding these conditions is not implied. Device specification limit values are applied individually under normal operating conditions and not valid simultaneously.

18. Measured using a 500 mV source, 50% duty cycle clock source. All outputs loaded with 50 Ω to $V_{CC} - 1.5\text{ V}$. Input edge rates 40 ps (20% - 80%).

19. $t_{SKEW} = |t_{PLH} - t_{PHL}|$ for a nominal 50% differential clock input waveform (Figure 4).

20. Within-Device skew is measured between outputs under identical transitions and conditions on any one device.

21. Device-to-Device skew for identical transitions at identical V_{CC} levels.

22. V_{INPP} (MAX) cannot exceed $V_{CC} - V_{EE}$ (applicable only when $V_{CC} - V_{EE} < 2600\text{ mV}$).

23. Additive RMS jitter with 50% duty cycle clock signal at 5 GHz.

24. Additive Peak-to-Peak jitter with input NRZ data at PRBS $2^{31}-1$ at 5 Gb/s.

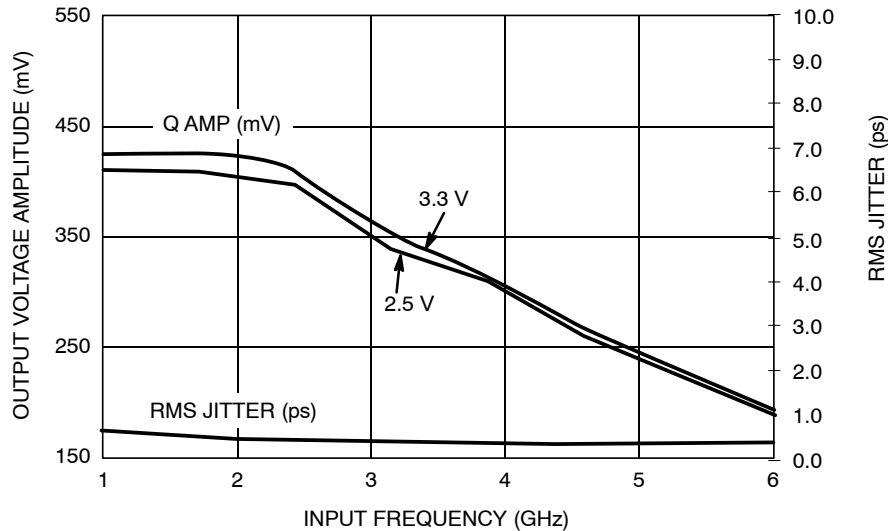


Figure 3. Output Voltage Amplitude (V_{OUTPP}) / RMS Jitter vs. Input Frequency (f_{in}) at Ambient Temperature (Typical)

NBSG111

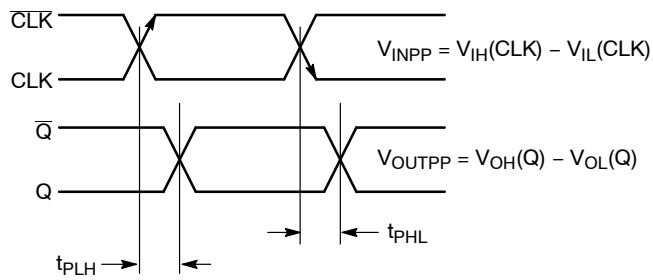


Figure 4. AC Reference Measurement

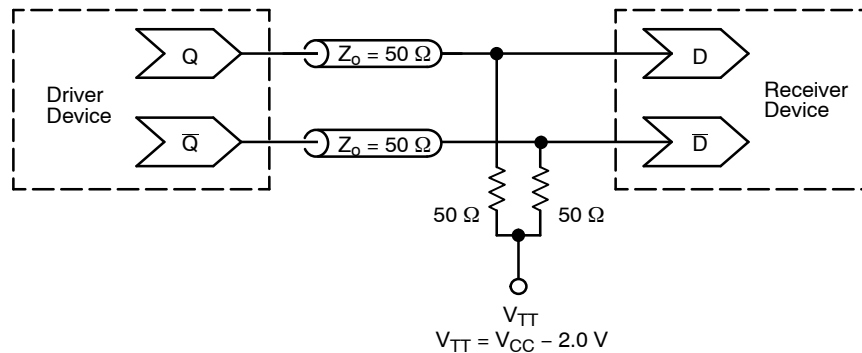


Figure 5. Typical Termination for Output Driver and Device Evaluation
(See Application Note AND8020/D – Termination of ECL Logic Devices.)

ORDERING INFORMATION

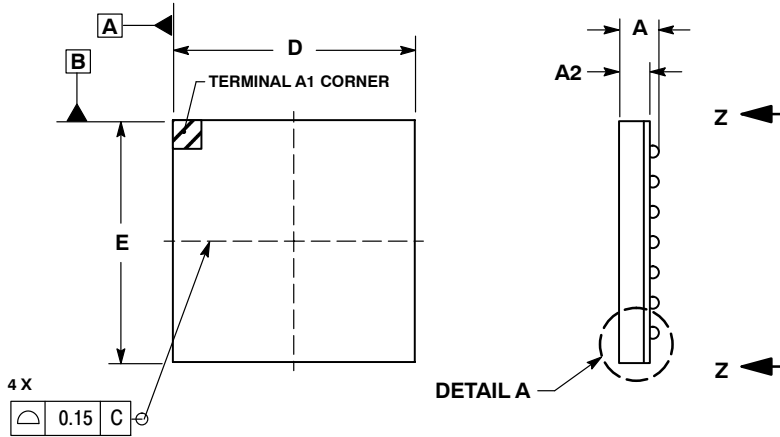
Device	Package	Shipping [†]
NBSG111BAHTBG	FCBGA-49 (Pb-Free)	100 / Tape & Reel
NBSG111BA	FCBGA-49	100 Units / Tray (Contact Sales Representative)
NBSG111BAR2	FCBGA-49	500 / Tape & Reel (Contact Sales Representative)

[†]For information on tape and reel specifications, including part orientation and tape sizes, please refer to our Tape and Reel Packaging Specifications Brochure, BRD8011/D.

NBSG111

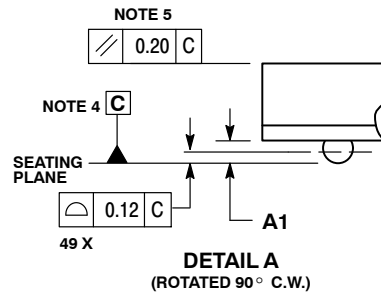
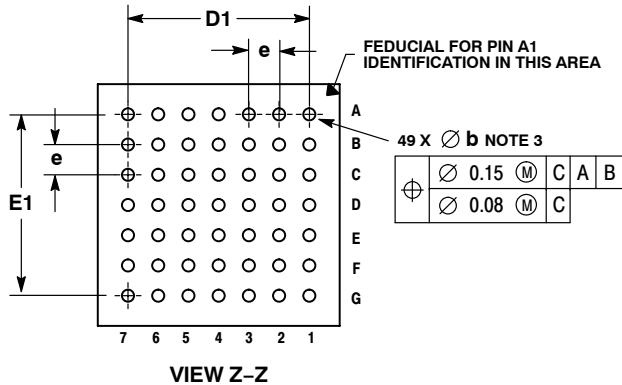
PACKAGE DIMENSIONS

**FCBGA-49
BA SUFFIX**
PLASTIC 8x8 mm (1.0 mm pitch) BGA FLIP CHIP PACKAGE
CASE 489A-02
ISSUE A



- NOTES:
1. CONTROLLING DIMENSION: MILLIMETER.
 2. DIMENSIONS AND TOLERANCES PER ASME Y14.5M-1994.
 3. DIMENSION b IS MEASURED AT THE MAXIMUM SOLDER BALL DIAMETER, PARALLEL TO DATUM PLANE C.
 4. DATUM C (SEATING PLANE) IS DEFINED BY THE SPHERICAL CROWNS OF THE SOLDER BALLS.
 5. PARALLELISM MEASUREMENT SHALL EXCLUDE ANY EFFECT OF MARK ON TOP SURFACE OF PACKAGE.
 6. 489A-01 OBSOLETE, NEW STANDARD 489A-02.

DIM	MILLIMETERS	
	MIN	MAX
A	---	1.40
A1	0.3	0.5
A2	0.91 REF	
b	0.40	0.60
D	8.00 BSC	
D1	6.00 BSC	
E	8.00 BSC	
E1	6.00 BSC	
e	1.00 BSC	



ON Semiconductor and **ON** are registered trademarks of Semiconductor Components Industries, LLC (SCILLC). SCILLC reserves the right to make changes without further notice to any products herein. SCILLC makes no warranty, representation or guarantee regarding the suitability of its products for any particular purpose, nor does SCILLC assume any liability arising out of the application or use of any product or circuit, and specifically disclaims any and all liability, including without limitation special, consequential or incidental damages. "Typical" parameters which may be provided in SCILLC data sheets and/or specifications can and do vary in different applications and actual performance may vary over time. All operating parameters, including "Typicals" must be validated for each customer application by customer's technical experts. SCILLC does not convey any license under its patent rights nor the rights of others. SCILLC products are not designed, intended, or authorized for use as components in systems intended for surgical implant into the body, or other applications intended to support or sustain life, or for any other application in which the failure of the SCILLC product could create a situation where personal injury or death may occur. Should Buyer purchase or use SCILLC products for any such unintended or unauthorized application, Buyer shall indemnify and hold SCILLC and its officers, employees, subsidiaries, affiliates, and distributors harmless against all claims, costs, damages, and expenses, and reasonable attorney fees arising out of, directly or indirectly, any claim of personal injury or death associated with such unintended or unauthorized use, even if such claim alleges that SCILLC was negligent regarding the design or manufacture of the part. SCILLC is an Equal Opportunity/Affirmative Action Employer. This literature is subject to all applicable copyright laws and is not for resale in any manner.

PUBLICATION ORDERING INFORMATION

LITERATURE FULFILLMENT:
Literature Distribution Center for ON Semiconductor
P.O. Box 5163, Denver, Colorado 80217 USA
Phone: 303-675-2175 or 800-344-3860 Toll Free USA/Canada
Fax: 303-675-2176 or 800-344-3867 Toll Free USA/Canada
Email: orderlit@onsemi.com

N. American Technical Support: 800-282-9855 Toll Free
USA/Canada
Europe, Middle East and Africa Technical Support:
Phone: 421 33 790 2910
Japan Customer Focus Center
Phone: 81-3-5773-3850

ON Semiconductor Website: www.onsemi.com
Order Literature: <http://www.onsemi.com/orderlit>
For additional information, please contact your local Sales Representative

NBSG111/D