

# W2S130 Series

Tubeaxial

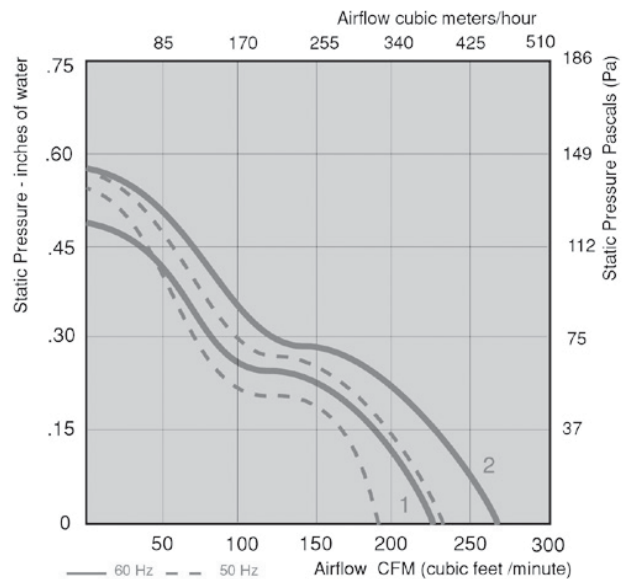
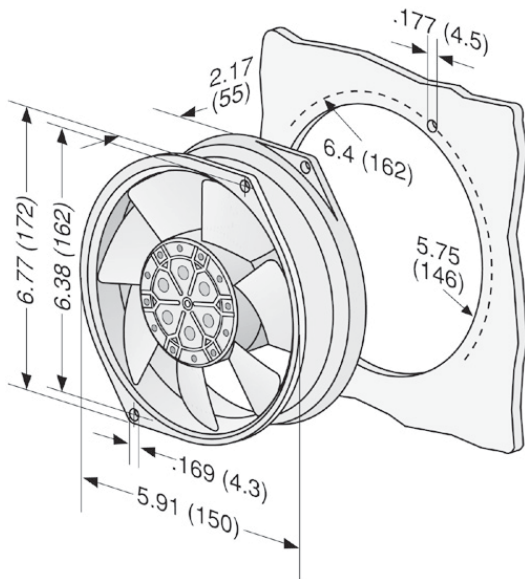
150Øx55mm



- AC fans with external rotor shaded-pole motor. Impedance protected against overloading.
- Die-cast aluminum housing. Impeller of sheet-steel, directly welded onto rotor.
- Rotational direction CCW looking at rotor.
- Mounting from either face using two 4.5 mm holes.
- Electrical connection via 2 spade terminals.
- Cable length 330 mm.
- Mounting from either face using 2 4.3 mm (.169") holes.
- UL, CSA, VDE approvals on some models, please contact application engineering.

Part Number	Curve	CFM @ 0	VAC	Hertz	Power (W)	dBA	Max Amb. Temp C	Bearing Type	Features	Wgt. (lbs)																			
W2S130-AA25-01	1	225	115	50/60	38	52	80	Ball	Leads	2.44																			
W2S130-AA25-44	1	225	115	50/60	38	52	80	Ball	Terminals	2.44																			
W2S130-AA25-51	1	225	115	50/60	38	52	80	Ball	Terminals	2.44																			
W2S130-BM15-01	2	263	115	50/60	46	60	70	Ball	Leads	2.44																			
W2S130-AA03-01	1	225	230	50/60	39	52	70	Ball	Leads	2.63																			
W2S130-AA03-44	1	225	230	50/60	38	52	70	Ball	Terminals	2.63																			
W2S130-AA03-51	1	225	230	50/60	38	52	70 </tr <tr> <td>W2S130-BM03-01</td> <td>2</td> <td>250</td> <td>230</td> <td>50/60</td> <td>46</td> <td>60</td> <td>70</td> <td>Ball</td> <td>Leads</td> <td>2.44</td> </tr> <tr> <td>W2S130-AA03-49</td> <td>1</td> <td>225</td> <td>115/230</td> <td>50/60</td> <td>38</td> <td>52</td> <td>70</td> <td>Ball</td> <td>Leads</td> <td>2.63</td> </tr>	W2S130-BM03-01	2	250	230	50/60	46	60	70	Ball	Leads	2.44	W2S130-AA03-49	1	225	115/230	50/60	38	52	70	Ball	Leads	2.63
W2S130-BM03-01	2	250	230	50/60	46	60	70	Ball	Leads	2.44																			
W2S130-AA03-49	1	225	115/230	50/60	38	52	70	Ball	Leads	2.63																			

Fan Type	Air Flow
W2S130-AA	Exhaust over struts
W2S130-BM	Intake over struts



**ebmpapst**

e-mail: [sales@us.ebmpapst.com](mailto:sales@us.ebmpapst.com) · TEL: 860-674-1515 · FAX: 860-674-8536

ebm-papst Inc., 100 Hyde Road, Farmington, CT 06034 USA

ebm-papst Inc., 2004 © ebm-papst Inc. reserves the right to change any specifications or data without notice