

# 3000 Series

# Tubeaxial

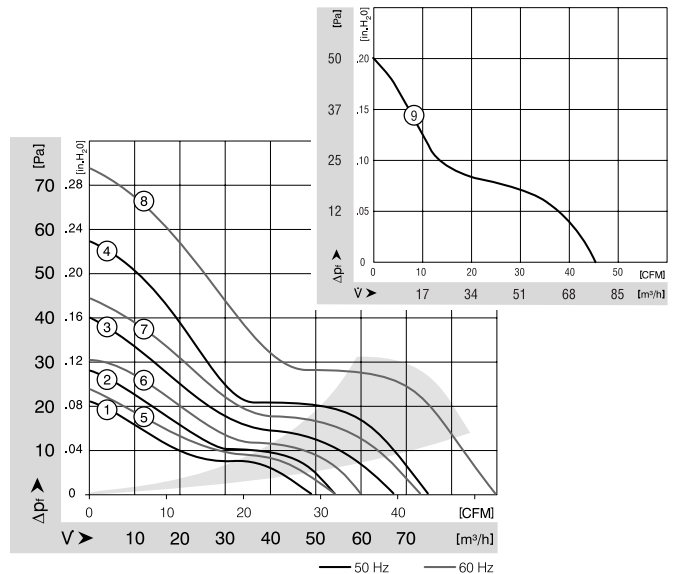
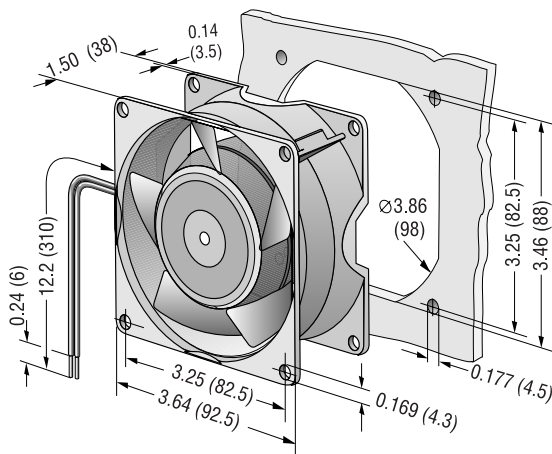
## 92x92x38mm



- AC fans with external rotor shaded-pole motor. Impedance protected against overloading.
- Metal fan housing and impeller.
- Air exhaust over struts. Rotational direction CW looking at rotor.
- Mounting from either face using four 4.3 mm holes.
- Electrical connection via 2 leads. Stripped and tinned ends.
- Fan housing with ground lug and screw M 4 x 8 (TORX).
- UL, CSA, VDE approvals on some models, please contact application engineering.

Part Number	Curve	CFM @ 0	VAC	Hertz	Power (W)	dBA	Max. Amb. Temp. C	Bearing Type	Speed (RPM)	Features	Wgt. (lbs)
3850	1	28.8	230	50	9	24	75	Sintec	1750	Leads	0.93
3856	2	31.8	230	50	9	26	90	Ball	1950	Leads	0.93
3550	3	39.4	230	50	9	32	80	Sintec	2300	Leads	0.93
3556	3	39.4	230	50	9	33	90	Ball	2400	Leads	0.93
3650	4	44.1	230	50	12	36	55	Sintec	2650	Leads	0.93
3656	4	44.1	230	50	12	37	75	Ball	2700	Leads	0.93
3800	5	31.8	115	60	8	26	80	Sintec	1900	Leads	0.93
3806	6	35.3	115	60	8	29	95	Ball	2150	Leads	0.93
3500	7	43.0	115	60	8	35	80	Sintec	2500	Leads	0.93
3506	7	43.0	115	60	8	36	95	Ball	2600	Leads	0.93
3600	8	52.4	115	60	11	41	65	Sintec	3100	Leads	0.93
3606	8	52.4	115	60	11	42	75	Ball	3200	Leads	0.93
3660	9	46.0	115/230	50/60	12	39	55	Sintec	2650	Leads	0.93
3666	9	46.0	115/230	50/60	12	37	75	Ball	2700	Leads	0.93

Fan Type	Lead Wires	
With Sintec bearings	310 mm long	AWG 18, TR 64
With Ball bearings	310 mm long	AWG 18



**ebmpapst**

e-mail: [sales@us.ebmpapst.com](mailto:sales@us.ebmpapst.com) · TEL: 860-674-1515 · FAX: 860-674-8536

ebm-papst Inc., 100 Hyde Road, Farmington, CT 06034 USA

ebm-papst Inc., 2006 © ebm-papst Inc. reserves the right to change any specifications or data without notice