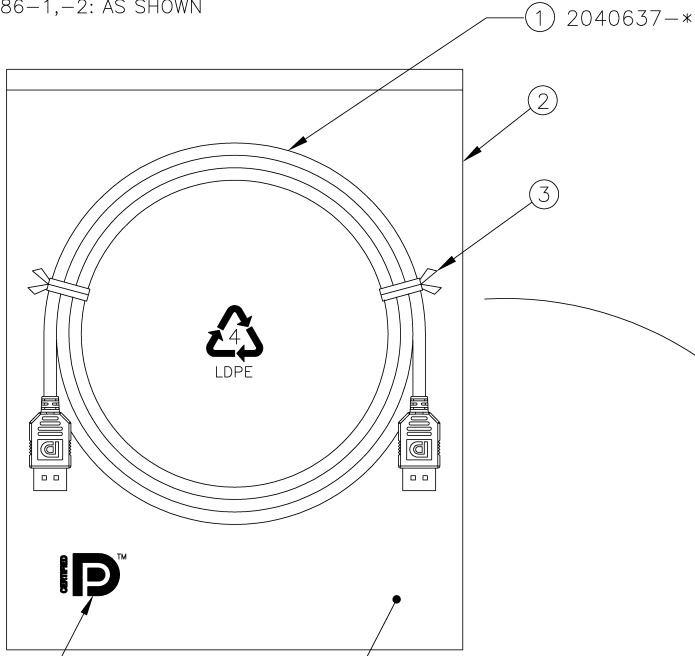


THIS DRAWING IS UNPUBLISHED. RELEASED FOR PUBLICATION  
 © COPYRIGHT BY TYCO ELECTRONICS CORPORATION. ALL RIGHTS RESERVED.

LOC	DIST	REVISIONS			
P	LTR	DESCRIPTION	DATE	OWN	APVD
J	-	A	RELEASED	11JUL2008	I.I T.F

2040686-1,-2: AS SHOWN



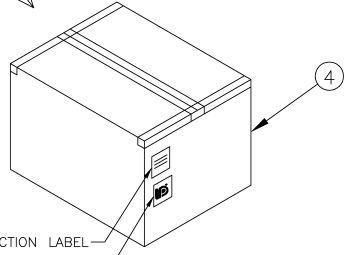
<b>2040686-2</b>	#1 2040637-2	2000 ±40	AVAILABLE
<b>2040686-1</b>	#1 2040637-1	1000 ±40	NOT AVAILABLE
<b>PACKAGE PART NUMBER (SALEABLE PART NUMBER)</b>	<b>CABLE ASSEMBLY PART NUMBER (NOT FOR SALE)</b>	<b>LENGTH</b>	<b>-</b>

#1 REMARKS :  
 THIS PN ONLY REPRESENTS "CABLE ASSEMBLY ITSELF" AND IS NOT SOLD DIRECTLY AND PLEASE REFER TO "PACKAGE PN" RESPECTIVELY AS AN ORDERABLE AND SHIPPABLE PRODUCT WHICH IS PACKED TO BE DURABLE FOR THE APPROPRIATE TRANSPORTATION OUT OF MANUFACTURING LOCATION.



DisplayPort-LOGO

1PCS/PE BAG



STANDARD PRODUCTION LABEL  
 DisplayPort-LOGO

CARTON BOX  
 (< 40PCS PER CARTON)

1	CARTON BOX	④
80	MINI TIE	③
40	PE BAG	②
40	CABLE ASSEMBLY	①
QTY	DESCRIPTION	ITEM

**Tyco Electronics**

TE P/N : \_\_\_\_\_  
 CUSTOMER : \_\_\_\_\_  
 CUSTOMER P/N: \_\_\_\_\_  
 Q'TY : \_\_\_\_\_  
 DATE : \_\_\_\_\_  
 NAME : \_\_\_\_\_

STANDARD PRODUCTION LABEL

THIS DRAWING IS A CONTROLLED DOCUMENT.		DWN: I.GARASHI 11JUL2008 CHK: M.HARASAWA 11JUL2008 APVD: T.FUTATSUGI 11JUL2008	Tyco Electronics Corporation Kawasaki, Japan	
DIMENSIONS: mm	TOLERANCES UNLESS OTHERWISE SPECIFIED: 0 PLC ±- 1 PLC ±- 2 PLC ±- 3 PLC ±- 4 PLC ±- ANGLES ±-	PRODUCT SPEC 108-78532 APPLICATION SPEC	NAME DISPLAYPORT CABLE ASSEMBLY HALOGEN FREE WITHOUT LATCH	
MATERIAL	FINISH	WEIGHT	SIZE CAGE CODE DRAWING NO A300779-2040686	RESTRICTED TO
CUSTOMER DRAWING			SCALE NTS	SHEET 1 OF 1 REV A