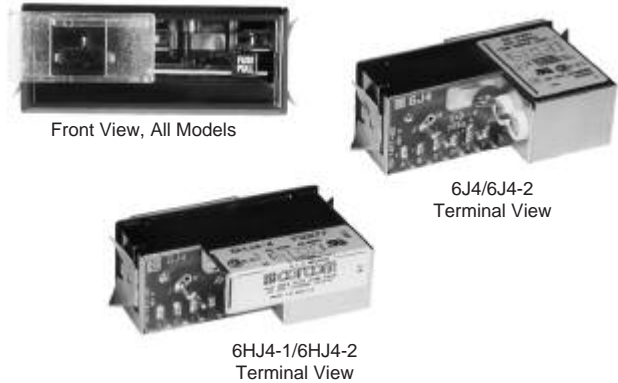


# J Series



UL Recognized  
CSA Certified



## J Series

The most widely accepted of all the power entry modules, the J series combines an IEC connector, 2-voltage, or 4-voltage selection, and a North American fuseholder. It features a compact snap-in design and a unique voltage selector card.

**J4 Models** - This general purpose filter provides susceptibility protection from line-to-ground noise on the power line and acts as a high frequency "clean-up" filter for more complex emissions applications.

**HJ4 Models** - This medical filter provides susceptibility protection without the leakage current associated with line-to-ground capacitors. Designed to allow equipment to meet UL544 medical specifications for patient care and non-patient care equipment, the HJ filter has a maximum leakage current of 2µA at 120 VAC 60 Hz. See Appendix C for more information on medical applications and UL standards.

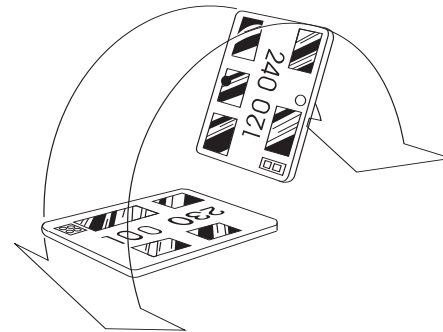
Equipment rating labels and mounting clips for thicker panel widths are available as accessories.

For more information on UL544 specifications, see Appendix C.

*Note: When using the models with an IEC connector, remember that the leakage current of the companion line cord, GA400, is more significant than that of the filter - which may disqualify this line cord from use in patient care applications.*

## Voltage Selection

### Unfiltered and Filtered Models



Open cover door and rotate fuse-pull lever to left. Select operating voltage by orienting voltage selection card, desired voltage on top left side. Push card firmly into module slot. Rotate fuse-pull lever back into normal position and re-insert fuse into holders. Use caution in selecting correct fuse value.

### Unfiltered Models

| Part Number | Available Voltage Selection Positions |
|-------------|---------------------------------------|
| 6VJ1        | 4                                     |
| 6VJ1-2      | 2                                     |

### Unfiltered Models

| Part Number | Available Voltage Selection Positions | RFI Filter Type              |
|-------------|---------------------------------------|------------------------------|
| 6VJ4        | 4                                     | General Purpose <sup>1</sup> |
| 6J4-2       | 2                                     | General Purpose <sup>1</sup> |
| 6HJ4-4      | 4                                     | Medical <sup>2</sup>         |
| 6HJ4-2      | 2                                     | Medical <sup>2</sup>         |

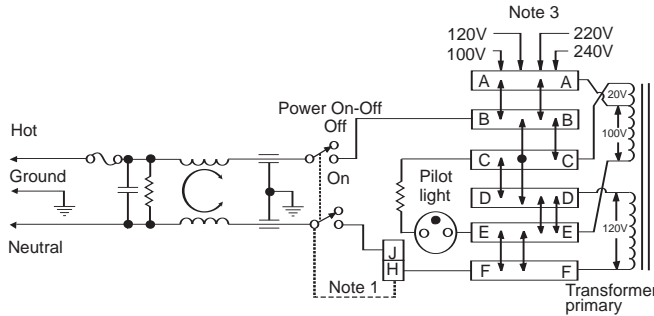
Note 1: General purpose filter for susceptibility applications

Note 2: Medical line filter for very low leakage UL544 health care requirements

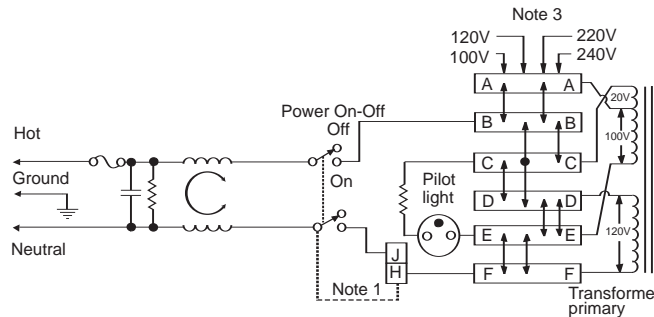
# J Series

## Electrical Schematics

### Filtered 6J4 & 6J4-2



### Filtered 6HJ4-4 & 6HJ4-2



- Note 1: Jumper required if only SPST power switch is used.
- Note 2: Jumpers required if no input filtering is used.
- Note 3: Use only 120V and 240V positions for 2-volt selection units.

## Specifications

|                                   | 6J4<br>Models          | 6EHJ4<br>Models | 6VJ<br>Models   |
|-----------------------------------|------------------------|-----------------|---|
| @250 VAC 50 Hz:                   | 500 $\mu$ A            | 5 $\mu$ A       | 5 $\mu$ A   |
| <b>Hipot rating (one minute):</b> |                        |                 |   |
| line-to-ground                    | 2250                   | 2250            | 1550  |
| line-to-line                      | 1450                   | 1450            | 1450  |
| <b>Operating frequency:</b>       |                        |                 | 50/60 Hz  |
| <b>Operating voltages:</b>        |                        |                 |   |
| 6VJ1, 6J4, 6HJ4-4:                | 100, 120, 220, 240 VAC |                 |   |
| 6J1-2, 6J4-2, 6HJ4-2:             |                        | 115, 230 VAC    |   |
| <b>Rated current:</b>             |                        |                 | 6A  |
| <b>Fuse (not included):</b>       |                        |                 | Integral fuseholder, line side, accepts .25" x 1.25" fuse                                       |
| <b>Terminals:</b>                 |                        |                 | Connector block terminals .045" square, suitable for soldering, wire wrapping, or crimp-on lugs |

### Minimum insertion loss in dB:

Line-to-ground in 50 ohm circuit

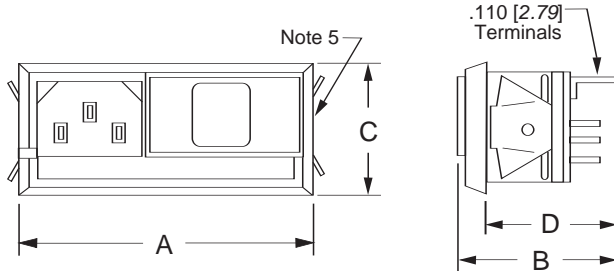
| Current Rating    | Frequency-MHz |    |    |    |    |    |    |
|-------------------|---------------|----|----|----|----|----|----|
|                   | .15           | .5 | 1  | 5  | 10 | 20 | 30 |
| <b>J4 Models</b>  |               |    |    |    |    |    |    |
| 6A                | 9             | 20 | 25 | 41 | 45 | 45 | 48 |
| <b>HJ4 Models</b> |               |    |    |    |    |    |    |
| 6A                | 9             | 11 | 15 | 19 | 13 | 12 | 10 |

Power Entry Modules

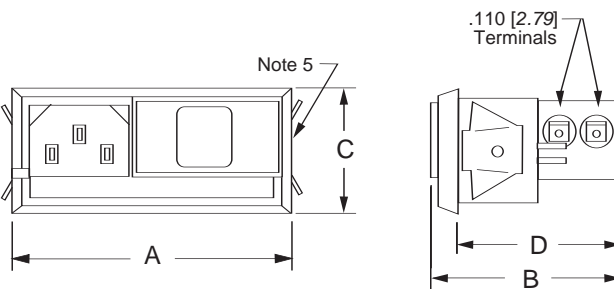
# J Series

## Case Styles

### Unfiltered Models



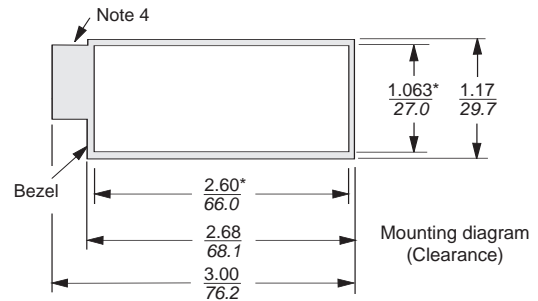
### Filtered Models



## Case Dimensions

| Part No.          | A<br>(max)  | B<br>(max)  | C<br>(max)  | D<br>(max)  |
|-------------------|-------------|-------------|-------------|-------------|
| <b>Unfiltered</b> | <b>2.68</b> | <b>1.52</b> | <b>1.17</b> | <b>1.23</b> |
| 6VJ1/6VJ1-2       | 68.1        | 38.6        | 29.7        | 31.2        |
| <b>Filtered</b>   | <b>2.75</b> | <b>1.87</b> | <b>1.17</b> | <b>1.58</b> |
| 6J4/6J4-2         | 69.9        | 47.5        | 29.7        | 40.1        |
| 6HJ4-4/6HJ4-2     | 2.75        | 1.87        | 1.17        | 1.58        |
|                   | 69.9        | 47.5        | 29.7        | 40.1        |

## Recommended Panel Cutout Unfiltered and Filtered Models



\*±.003

Note 4: Fuse cover door shown in open condition.

Note 5: Standard units mount in panel thickness of .060 - .090"

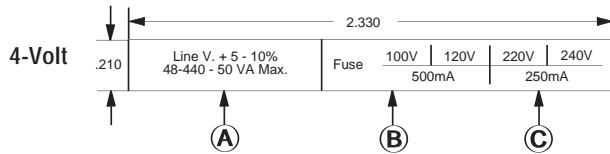
Special mounting clips sold separately for panel thickness of .105-.125".

See Accessories List on next page.

# J Series

## Equipment Rating Labels Unfiltered and Filtered Models

Self-adhesive labels, as shown below, are available in multiples of 40. Specify part number.



| Part Number | A<br>VA<br>Max. | B<br>Fuse<br>100/120 (115) | C<br>Fuse<br>220/240 (230) |
|-------------|-----------------|----------------------------|----------------------------|
| JA410       | 25              | 250 mA                     | 125 mA                     |
| JA411       | 50              | 500 mA                     | 250 mA                     |
| JA412       | 100             | 1A                         | 500 mA                     |
| JA413       | 200             | 2A                         | 1A                         |
| JA414       | 250             | 2.5A                       | 1.25A                      |
| JA415       | 300             | 3A                         | 1.5A                       |
| JA416       | 400             | 4 A                        | 2A                         |
| JA417       | 500             | 5A                         | 2.5A                       |
| JA418       | 600             | 6A                         | 3A                         |
| JA419       | Assortment      |                            |                            |

Labels - 40 of one part number  
Labels - 5 each of 8 part numbers for 4-volt

## Accessories Unfiltered and Filtered Models

Line Cord No. GA400:  
(7 1/2 foot, 3-conductor line cord to mate with J series)

JA302, 2 Voltage Selector Card  
(comes standard with 6VJ1-2, 6J4-2, 6HJ4-2)

JA304, 4 Voltage Selector Card  
(comes standard with 6VJ1, 6J4, 6HJ4-4)

JA403, Mounting Clips for .105-.125" Panel

JA500, Voltage Selector Card Extractor Tool