

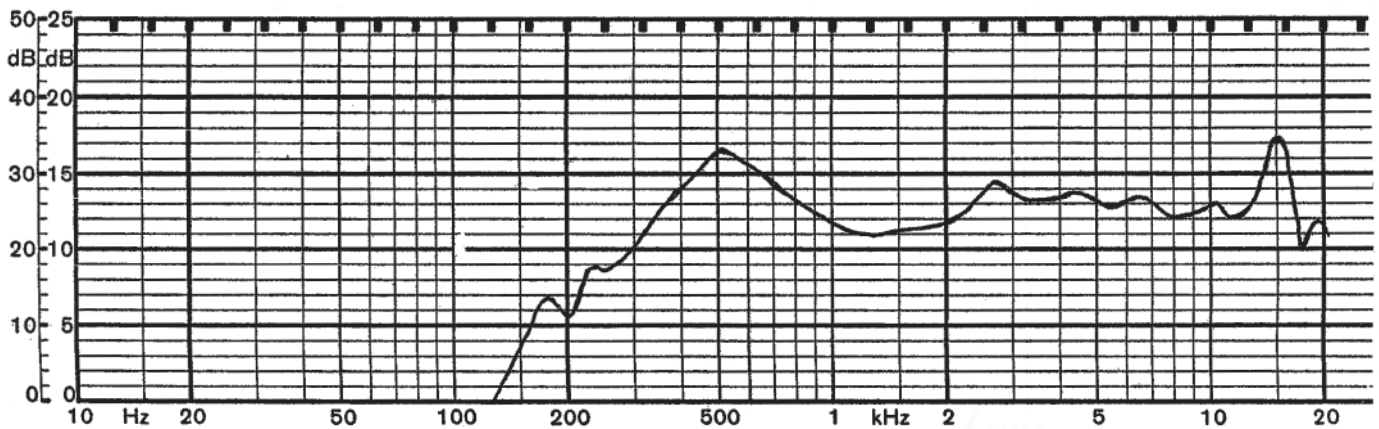
**PART NUMBER: CMS0401KL-3X**
**DESCRIPTION: SPEAKER**

## SPECIFICATIONS

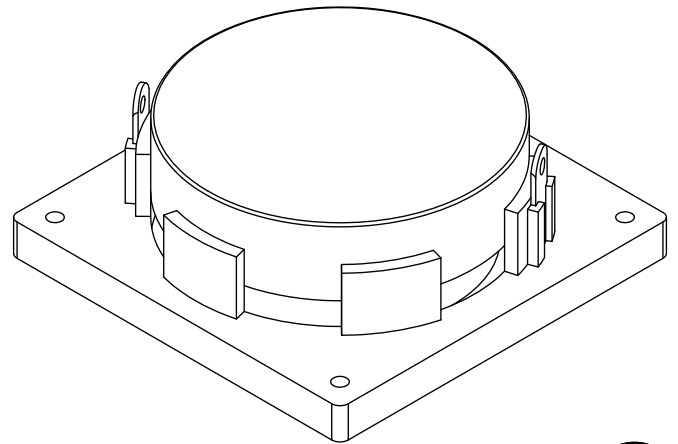
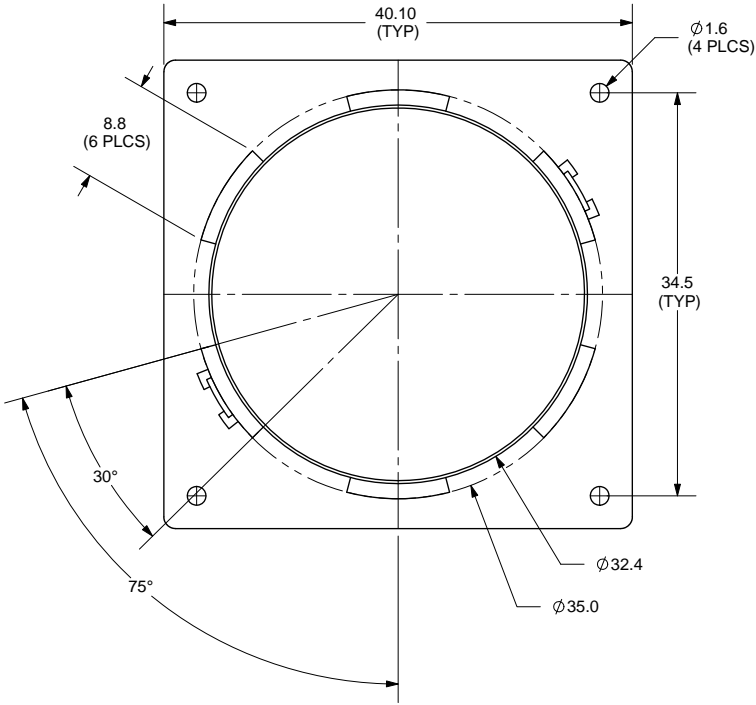
| parameter            | conditions/description                   | min | nom  | max    | units        |
|----------------------|--|-----|------|--------|--------------|
| nominal size         | 40.1 x 40.1 x 4.5H mm                    |     |      |        |              |
| impedance            | at 1 kHz, 1 V                            | 6.8 | 8    | 9.2    | $\Omega$     |
| resonant frequency   | at 1 V                                   | 352 | 440  | 528    | Hz           |
| sound pressure level | 1 W, 50 cm ave., at 0.6, 0.8, 1, 1.2 kHz | 83  | 86   | 89     | dB           |
| response             | 10 dB max.                               | Fo  |      | 20,000 | Hz           |
| input power          |  |     | 5    | 8      | W            |
| operation            | must be normal at program source         |     | 5    |        | W            |
| buzz, rattle, etc.   | must be normal at sine wave              |     | 6.23 |        | V dc         |
| magnet               | size: 24.5 x 3.5 mm                      |     |      |        |              |
| load test            | 24 hours of white noise at               |     | 5    |        | W            |
| heat test            | 20 ~ 50% RH for 24 hours                 | 63  | 65   | 67     | $^{\circ}$ C |
| humidity test        | 90 ~ 95% RH for 24 hours                 | 38  | 40   | 42     | $^{\circ}$ C |
| RoHS                 | yes                                      |     |      |        |              |

## FREQUENCY RESPONSE CURVE

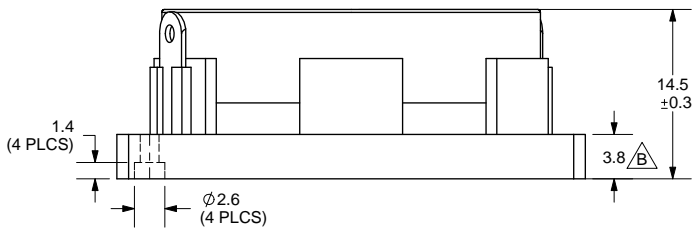
| parameter             | conditions/description |
|-----------------------|------------------------|
| potentiometer range   | 50 dB                  |
| rectifier             | RMS                    |
| lower limit frequency | 20 Hz                  |
| wr. speed             | 100 mm/sec             |
| zero level            | 60 dB                  |



| REV. | DESCRIPTION                                | DATE      |
|------|--|-----------|
| A    | NEW DRAWING                                | 7/25/2007 |
| B    | base thickness changed from 3.0mm to 3.8mm | 5/6/2008  |



TOLERANCE:  
±0.2mm UNLESS OTHERWISE  
SPECIFIED



PC FILE NAME:  
CMS0401KL-3X

COPYRIGHT 2008 BY CUI INC.



20050 SW 112th Ave.  
Tualatin, OR 97062  
Phone: 503-612-2300  
800-275-4899  
Fax: 503-612-2383  
Website: www.cui.com

|                                  |                    |            |
|----------------------------------|--------------------|------------|
| TITLE: MINIATURE MONITOR SPEAKER |                    | REV: B     |
| PART NO. CMS0401KL-3X            | UNITS: MM [INCHES] |            |
| DRAWN BY: ZRJ                    | APPROVED BY:       | SCALE: 2:1 |