

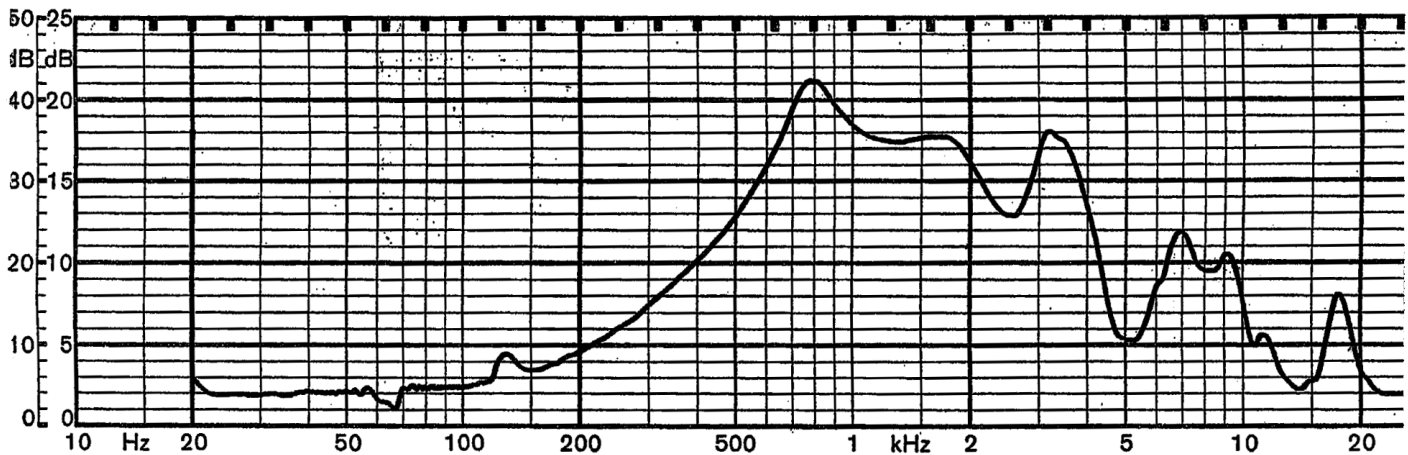


Specifications

Nominal Size	20mm		
Impedance	8 Ohm \pm 15%	at	1 KHz 1 V
Resonant frequency	800 Hz \pm 160 Hz	at	1 V
Sound pressure level	116dB/w \pm 3 dB .1 w 1 cm ave. at 0.8K, 1K, 1.2K, 1.5K Hz		
Response	Fo Hz ~ 5 KHz max 10 dB		
Input power	Nominal 0.1 W	Handling capacity	0.2 W
Operation	must be normal at program source 0.1 W		
Buzz, rattle, etc.	must be normal at sine wave 0.89 V		
Magnet	Size: 6.5 x 1.5 mm		
Load test	White noise 0.1 W	for	5 hours
Heat test	65 \pm 2° C	20-50% R.H.	5 hours
Humidity test	40 \pm 2° C	90-95% R.H.	5 hours

Frequency Response Curve

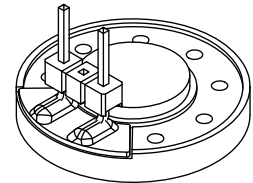
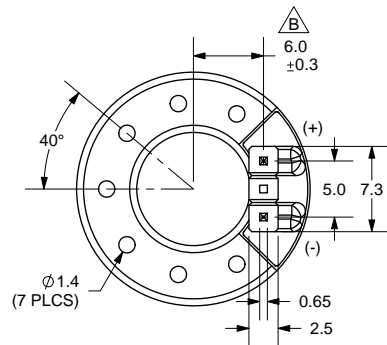
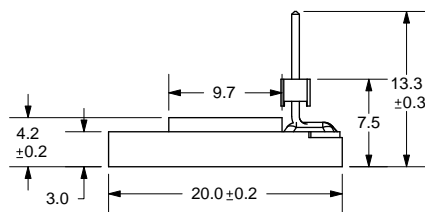
Potentiometer range	50 dB
Rectifier	RMS
Lower limit frequency	20 Hz
Wr. speed	100 mm/sec



Zero level 80 dB

Downloaded from Elcodis.com electronic components distributor

REV.	DESCRIPTION	DATE
A	NEW DRAWING	7/3/2007
B	dimension changed from 7.0mm to 6.0mm	10/13/2009



TOLERANCE:
±0.5mm UNLESS OTHERWISE
SPECIFIED



20050 SW 112th Ave.
Tualatin, OR 97062
Phone: 503-612-2300
800-275-4899
Fax: 503-612-2383
Website: www.cui.com

TITLE: LOW PROFILE SPEAKER		REV: B
PART NO. CLS0201MP	UNITS: MM [INCHES]	
DRAWN BY: ZRJ	APPROVED BY:	SCALE: 2:1

PC FILE NAME:
CLS0201MP

COPYRIGHT 2009 BY CUI INC.