

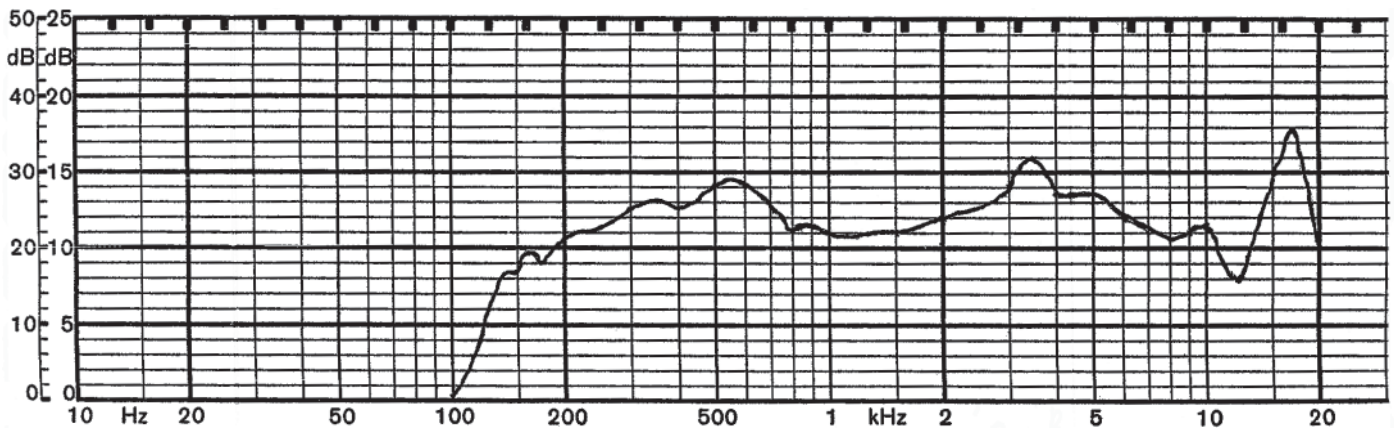
PART NUMBER: CMS0401KL-1X
DESCRIPTION: SPEAKER

SPECIFICATIONS

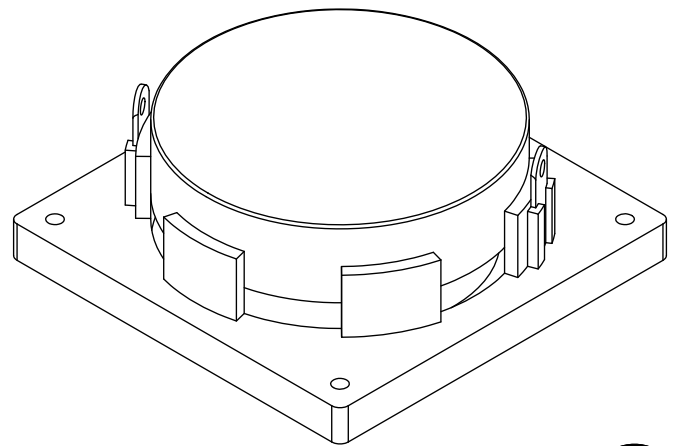
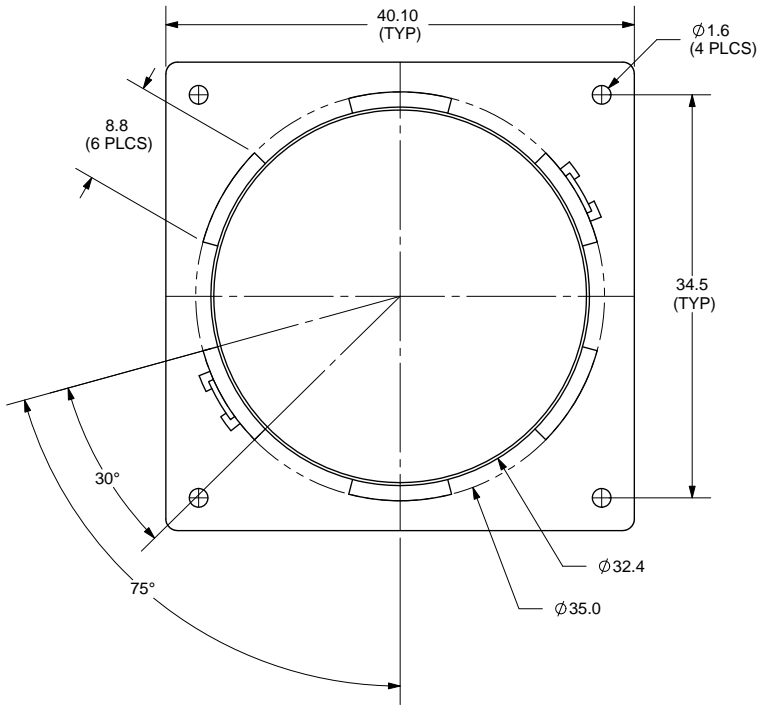
parameter	conditions/description	min	nom	max	units
nominal size	40.1 x 40.1 x 14.5H mm				
impedance	at 1 kHz, 1 V	6.8	8	9.2	Ω
resonant frequency	at 1 V	216	270	324	Hz
sound pressure level	1 W, 50 cm ave., at 0.4, 0.5, 0.6, 0.8 kHz	83	86	89	dB
response	10 dB max.	Fo		20,000	Hz
input power			4	6	W
operation	must be normal at program source		4		W
buzz, rattle, etc.	must be normal at sine wave		5.67		V dc
magnet	size: 24.6 x 3.5 mm				
load test	24 hours of white noise at		4		W
heat test	20 ~ 50% RH for 24 hours	63	65	67	$^{\circ}$ C
humidity test	90 ~ 95% RH for 24 hours	38	40	42	$^{\circ}$ C
RoHS	yes				

FREQUENCY RESPONSE CURVE

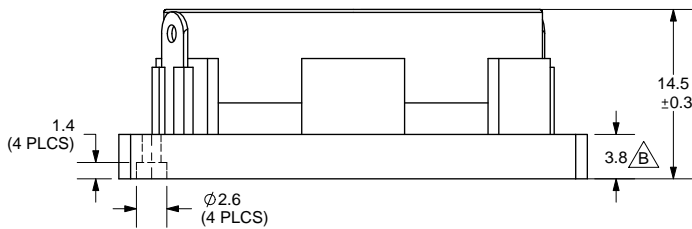
parameter	conditions/description
potentiometer range	50 dB
rectifier	RMS
lower limit frequency	20 Hz
wr. speed	100 mm/sec
zero level	60 dB



REV.	DESCRIPTION	DATE
A	NEW DRAWING	7/25/2007
B	base thickness changed from 3.0mm to 3.8mm	5/6/2008



TOLERANCE:
±0.2mm UNLESS OTHERWISE
SPECIFIED



PC FILE NAME:
CMS0401KL-1X

COPYRIGHT 2008 BY CUI INC.



20050 SW 112th Ave.
Tualatin, OR 97062
Phone: 503-612-2300
800-275-4899
Fax: 503-612-2383
Website: www.cui.com

TITLE: MINIATURE MONITOR SPEAKER		REV: B
PART NO. CMS0401KL-1X	UNITS: MM [INCHES]	
DRAWN BY: ZRJ	APPROVED BY:	SCALE: 2:1