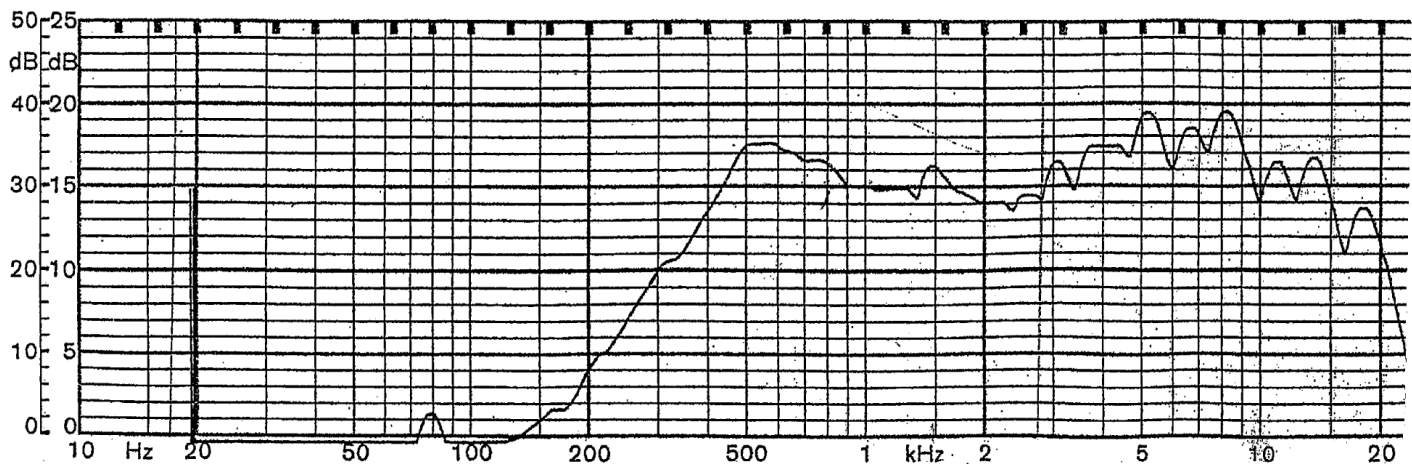


Specifications

| | | |
|----------------------|--|--|
| Nominal Size | 57 mm | 2 ¼ inch. |
| Impedance | 8 Ohm ± 15% | at 0.8 KHz 1 V |
| Resonant frequency | 530 Hz ± 100 Hz | at 1 V |
| Sound pressure level | 89 dB/w ± 3 dB | 0.2 w 50 cm ave at 1K, 1.4K, 1.7K, 2K Hz |
| Response | Fo Hz ~ 20 KHz max 10 dB | |
| Input power | Nominal 0.2 W | Handling capacity 0.5 W |
| Operation | must be normal at program source 0.2 W | |
| Buzz, rattle, etc. | must be normal at sine wave 1.3 V | |
| Magnet | Size: 12.5 x 1.5 mm | |
| Load test | White noise 0.2 W | for 5 hours |
| Heat test | 70 ± 2° C | 20-50% R.H. 5 hours |
| Humidity test | 40 ± 2° C | 90-95% R.H. 5 hours |

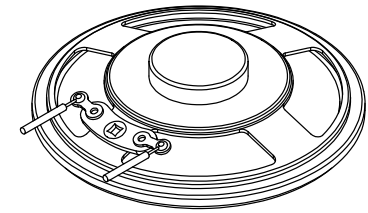
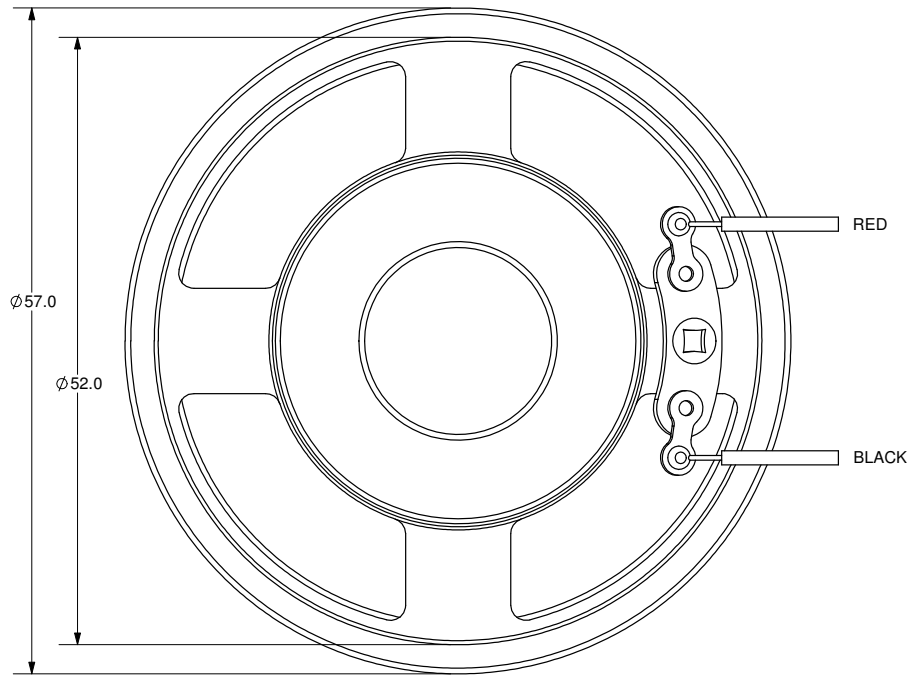
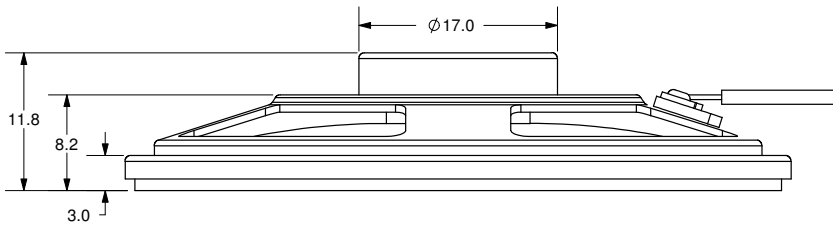
Frequency Response Curve

| | |
|-----------------------|------------|
| Potentiometer range | 50 dB |
| Rectifier | RMS |
| Lower limit frequency | 50 Hz |
| Wr. speed | 100 mm/sec |



Zero level 60 dB

| REV. | DESCRIPTION | DATE |
|------|-------------|----------|
| A | NEW DRAWING | 7/3/2007 |



SCALE 1:1

SPECIFICATIONS:
 WIRE: UL1007, #28AWG
 LENGTH: 152mm

TOLERANCE:
 ±0.2mm UNLESS OTHERWISE SPECIFIED



20050 SW 112th Ave.
 Tualatin, OR 97062
 Phone: 503-612-2300
 800-275-4899
 Fax: 503-612-2383
 Website: www.cui.com

| | | |
|----------------------------|--------------------|------------|
| TITLE: LOW PROFILE SPEAKER | | REV: A |
| PART NO. CLS0571M-L152 | UNITS: MM [INCHES] | |
| DRAWN BY: ZRJ | APPROVED BY: | SCALE: 2:1 |

PC FILE NAME:
 CLS0571M-L152

COPYRIGHT 2007 BY CUI INC.