

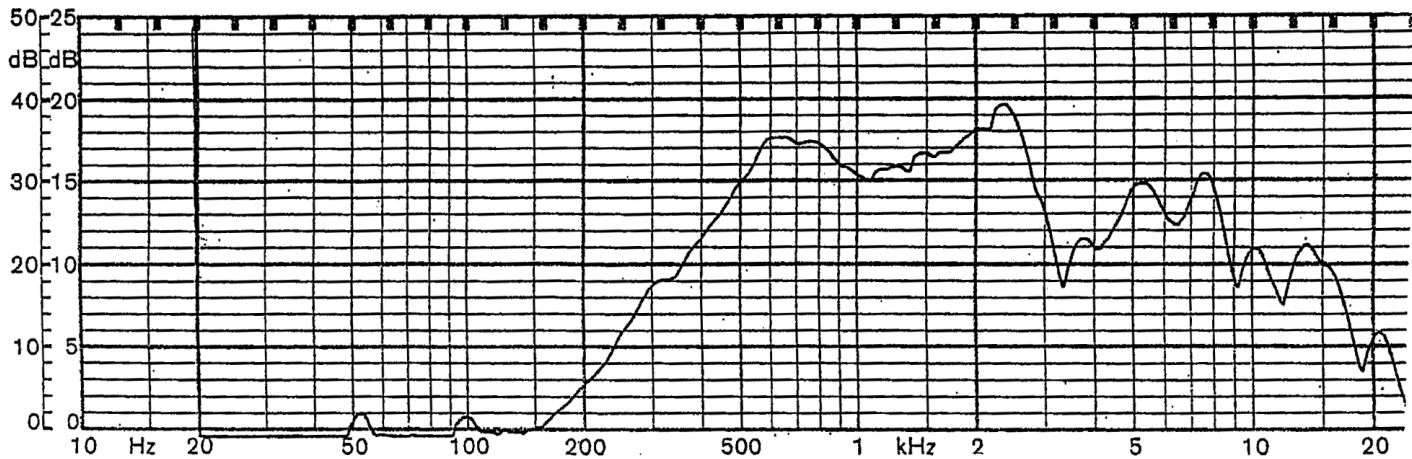


**Specifications**

Nominal Size	45 mm	1 3/4 inch.
Impedance	8 Ohm ± 15%	at 1 KHz 1 V
Resonant frequency	550 Hz ± 110 Hz	at 1 V
Sound pressure level	82 dB/w ± 3 dB	0.2 w 50 cm ave. at 0.9K, 1K, 1.3K, 1.5K Hz
Response	Fo Hz ~ 10 KHz max 10 dB	
Input power	Nominal 0.2 W	Handling capacity 0.5 W
Operation	must be normal at program source 0.2 W	
Buzz, rattle, etc.	must be normal at sine wave 1.26 V	
Magnet	Size: 12.5 x 1.5 mm	
Load test	White noise 0.2 W	for 5 hours
Heat test	70 ± 2° C	20-50% R.H. 5 hours
Humidity test	40 ± 2° C	90-95% R.H. 5 hours

**Frequency Response Curve**

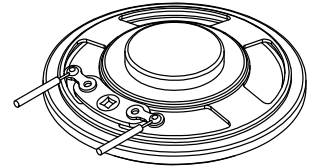
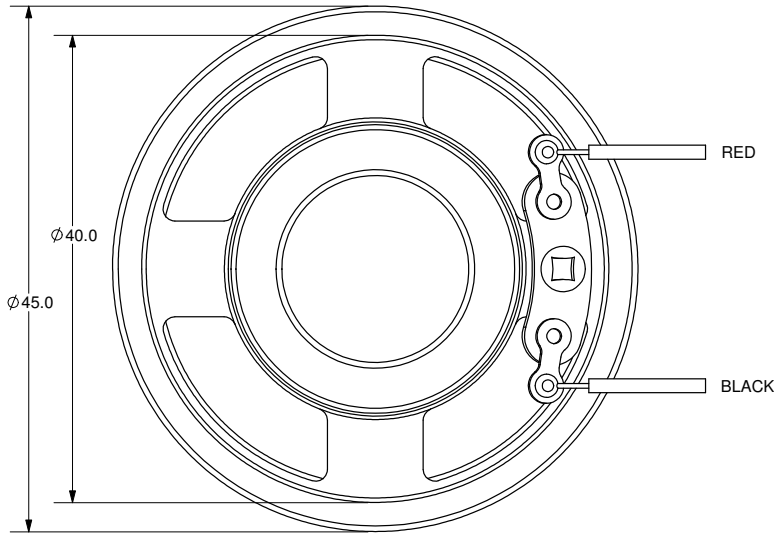
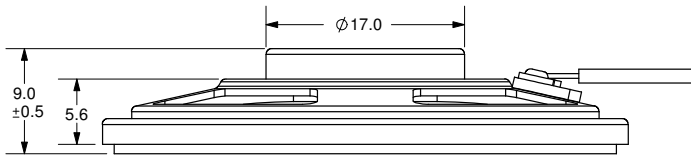
Potentiometer range	50 dB
Rectifier	RMS
Lower limit frequency	20 Hz
Wr. speed	100 mm/sec



Zero level 50 dB

Downloaded from [Elcodis.com](http://Elcodis.com) electronic components distributor

REV.	DESCRIPTION	DATE
A	NEW DRAWING	7/3/2007



SCALE 1:1

**SPECIFICATIONS:**  
 WIRE: UL1007, #28AWG  
 LENGTH: 152mm

**TOLERANCE:**  
 ±0.5mm UNLESS OTHERWISE SPECIFIED



20050 SW 112th Ave.  
 Tualatin, OR 97062  
 Phone: 503-612-2300  
 800-275-4899  
 Fax: 503-612-2383  
 Website: www.cui.com

TITLE: LOW PROFILE SPEAKER		REV: A
PART NO. CLS0451M-L152	UNITS: MM [INCHES]	
DRAWN BY: ZRJ	APPROVED BY:	SCALE: 2:1

PC FILE NAME:  
 CLS0451M-L152

COPYRIGHT 2007 BY CUI INC.