

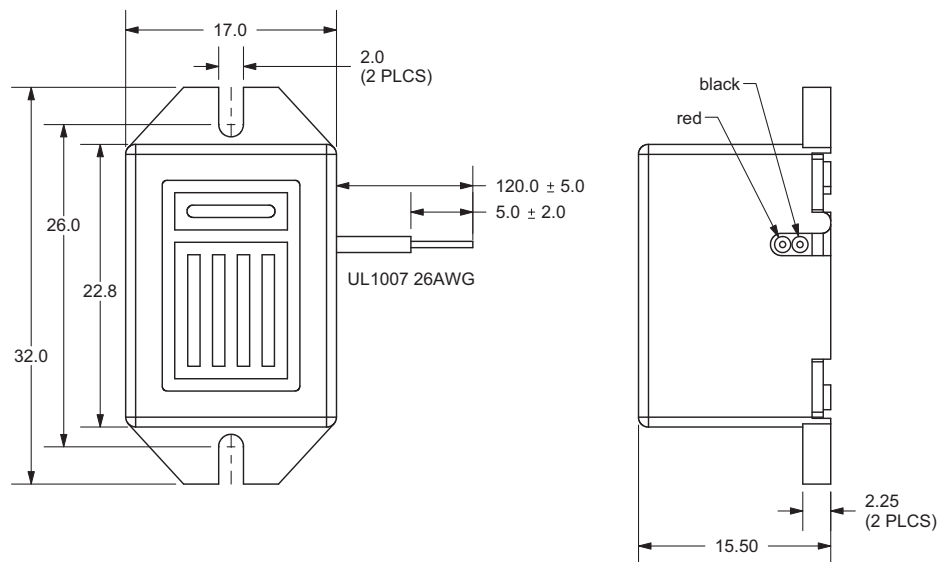
**PART NUMBER:** CS-3624

**DESCRIPTION:** solid state buzzer

**SPECIFICATONS**

|                       |              |                  |
|-----------------------|--------------|------------------|
| operating voltage     | 20 ~ 28 V DC |                  |
| current consumption   | 24 mA max.   | at 24 V DC       |
| sound pressure level  | 76 db min.   | at 30 cm/24 V DC |
| tone                  | continuous   |                  |
| operating temperature | -20 ~ +60° C |                  |
| storage temperature   | -30 ~ +70° C |                  |
| weight                | 9.7 g max.   |                  |
| RoHS                  | yes          |                  |

**APPEARANCE DRAWING**

 tolerance:  $\pm 0.5$   
 units: mm

**CURRENT CONSUMPTION/SOUND PRESSURE LEVEL**
