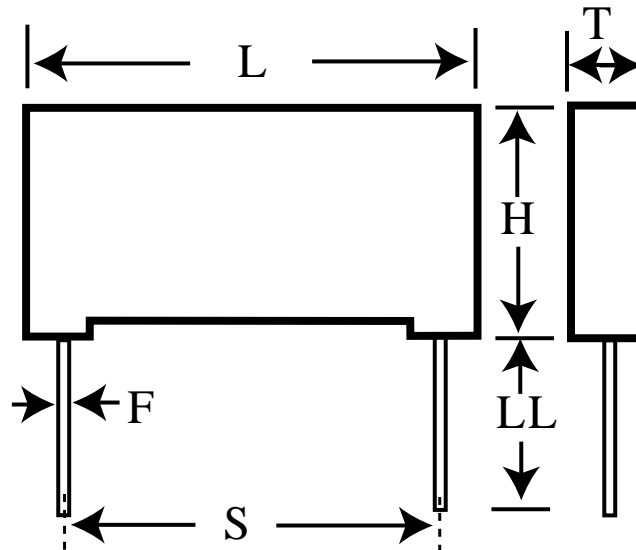


R413F1220000M

aka 413F1220000M

Capacitor, film, 2200 pF, +/-20% Tol, -40/+110C, Safety: Y2/X1,
300VAC, Lead Spacing=10 mm



Dimensions (mm)

ID	Dimension	Tolerance
L	13	+0.2
H	9	+0.1
T	4	+0.2
S	10	+/-0.4
LL	4	+2
F	0.6	+/-0.05

Specifications

Manufacturer:	KEMET
Brand:	Arcotronics
Capacitance:	2200 pF
Temperature Range:	-40/+110C
Rated Temperature:	105C
Voltage @ rated temp:	1000V
Voltage AC:	300VAC
Tolerance:	+/-20%
Body Type:	Radial Box
Construction:	Non-inductive
Application:	Safety: Y2/X1
Dielectric:	Metallized Polypropylene
Dissipation Factor @ 1 kHz:	0.3%
Insulation Resistance:	100 GOhm
Maximum dVdT:	800v/us
UL_1414:	250V
UL_1283:	300V
IEC_60384-14:	300V
EN_132400:	300V
C_22.2_NO.1:	250V
CQC_GB/T 14472:	300V
Package Kind:	Bulk
Package Type:	Bag
Package Quantity:	2000