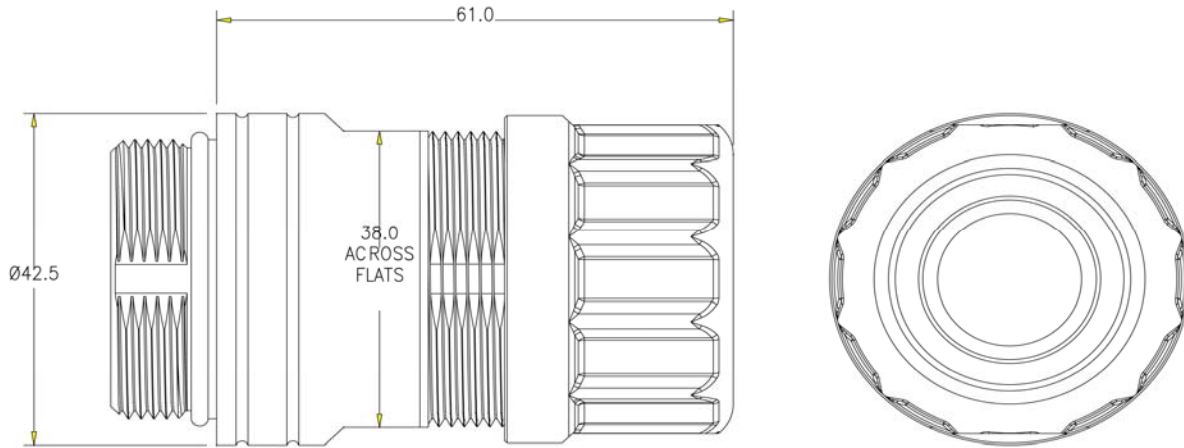


CONFIGURATION	PART NUMBER	LENGTH
C grip core, Crimp cable, Diameter 21.5 - 26mm	MC3CG-S4	NA

DIMENSIONS



CABLE RANGE
17mm - 19.5mm

TECHNICAL DATA

TEMPERATURE RANGE:	-20C to +130C
PROTECTION:	IP 67 (Plugged Condition)
DEGREE OF PROTECTION:	3
OVER VOLTAGE CATEGORY:	III
HOUSING BODY:	ZINC DIE-CAST
COUPLING NUT:	BRASS, NICKEL-PLATED
INSULATION INSERTS:	PA66 / PBT, UL 94 / VO
CONTACTS:	BRASS, GOLD-PLATED
SEALS:	DUPONT VITON

